

# DishDrawer®

USA & Canada

Models

Service version B

**DD603  
DD603H  
DD603FC  
DD603FD**

**DS603  
DS603H  
DS603FC  
DS603FD**



**599315B**



## Contents

|   |  |    |
|---|--|----|
| 1 | Front Panels / Controls: Prefinished models..... | 6  |
| 2 | Front Panels / Controls: Flat door models .....  | 8  |
| 3 | Cabinet .....                                    | 11 |
| 4 | Lid and Link Assembly.....                       | 15 |
| 5 | Tubs and Components .....                        | 17 |
| 6 | Baskets and Racks .....                          | 21 |
| 7 | Installation Components .....                    | 23 |
| 8 | Notes .....                                      | 25 |

Fisher & Paykel Appliances Inc  
5900 Skylab Road  
Huntington Beach  
CA 92647  
USA  
Phones:  
1 888 936 7872 (F&P)  
1 888 396 2665 (DCS)

## Products

|                |   |                                       |
|----------------|---|---------------------------------------|
| <b>Brand</b>   | Fisher & Paykel                                       |                                       |
| <b>Voltage</b> | 110 V 60 Hz   |                                       |
| <b>Model</b>   | <b>Description</b>                                    | <b>Product code – service version</b> |
| DD603          | Double, brushed stainless                             | 88445-B                               |
| DD603H         | Double, brushed stainless, water softener             | 88443-B                               |
| DD603FC        | Double, brushed stainless, flat door, curved handle   | 88449-B                               |
| DD603FD        | Double, brushed stainless, flat door, designer handle | 88458-B                               |
| DS603          | Single, brushed stainless                             | 88446-B                               |
| DS603H         | Single, brushed stainless, water softener             | 88444-B                               |
| DS603FC        | Single, brushed stainless, flat door, curved handle   | 88450-B                               |
| DS603FD        | Single, brushed stainless, flat door, designer handle | 88459-B                               |

## Guide to using this manual

### Models covered

The models covered by this manual are listed on the front cover. The codes listed on the products page are the variations within each model.

The front cover picture indicates the type of product. It may not be an exact image of the models covered in the manual.

### Updates

As part of Fisher & Paykel's ongoing attention to quality, the information in this manual changes. Fisher & Paykel regularly publish updates to the parts manuals on the Cool Blue World website. The latest edition (shown by date and letter) replaces any earlier editions. New editions are advised in the Technical Bulletins.

## Finding parts information

### Model column

The letter codes in the 'Model' column indicate which model/s use the part being described. If there are no letters, then the part is common to all models.

### Abbreviations used in model column

C = curved handle  
 D = designer handle  
 DD = double DishDrawer®  
 DS = single DishDrawer®  
 F = flat door  
 H = water softener feature

### Key to parts information

|                         |   |
|-------------------------|---|
| <i>Parts in italics</i> | Indicates kit component parts that are available as separate items.   |
| No part number given    | Indicates kit component parts that are not available as separate items.   |
| *                       | Indicates a Technical Bulletin or a note exists for the part<br>The Notes section at the end of the manual gives the Technical Bulletin reference, or the note. |
| NI                      | Indicates the part is not illustrated on the diagram. Some items eg screws, are shown as NI under the part/s they are associated with.                          |
| NOT USED                | Indicates the diagram part reference is not used in this manual.  |

### Abbreviations used in part description column

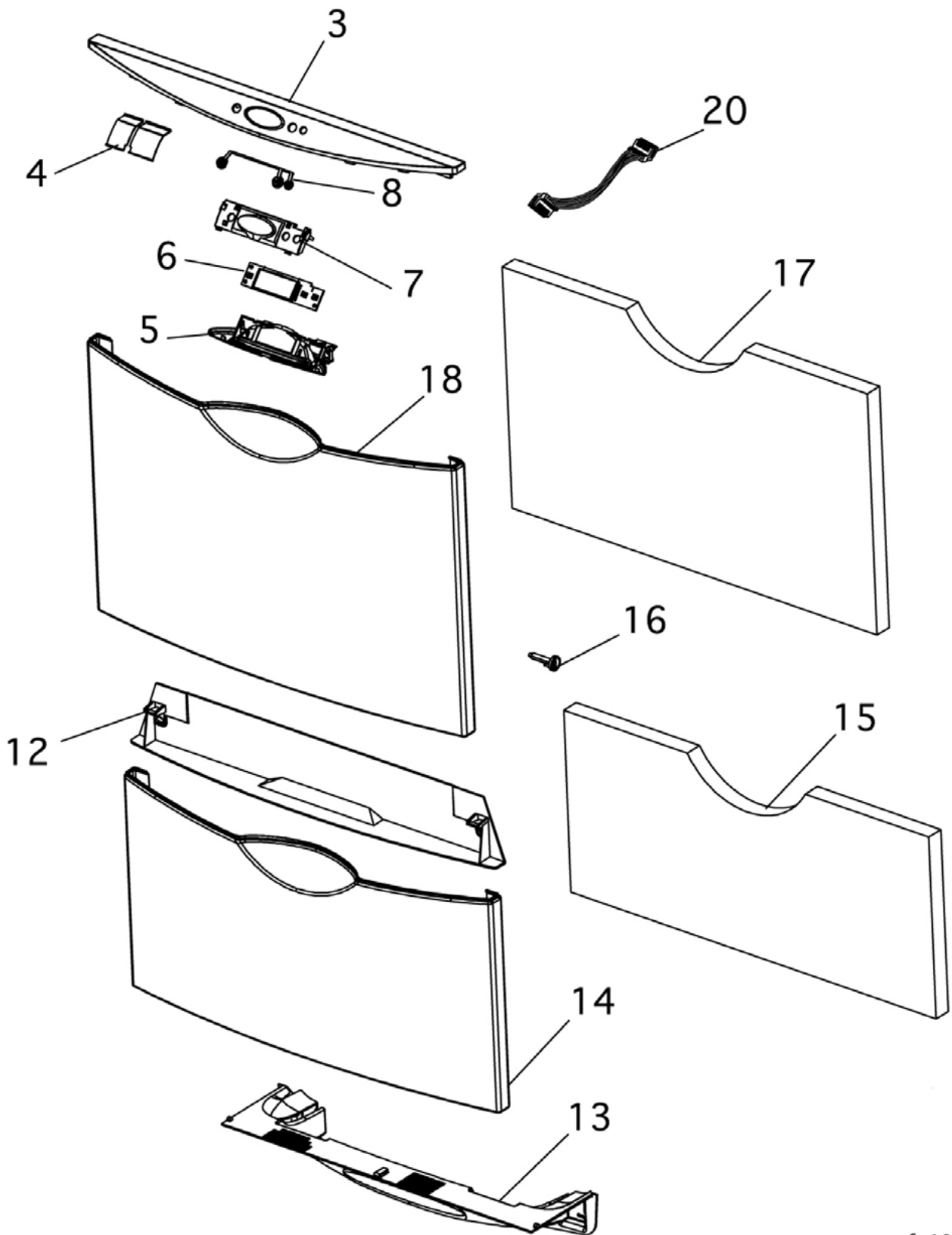
US = USA

### Additional information

Fisher & Paykel regularly publish Technical Bulletins, which give more details on product changes. To read these bulletins, go to the Cool Blue World website on <http://cbw.fp.co.nz>

The Technical Bulletins relating to the parts in this manual are listed in the Notes section at the end of the manual.

# 1 FRONT PANELS / CONTROLS: PREFINISHED MODELS



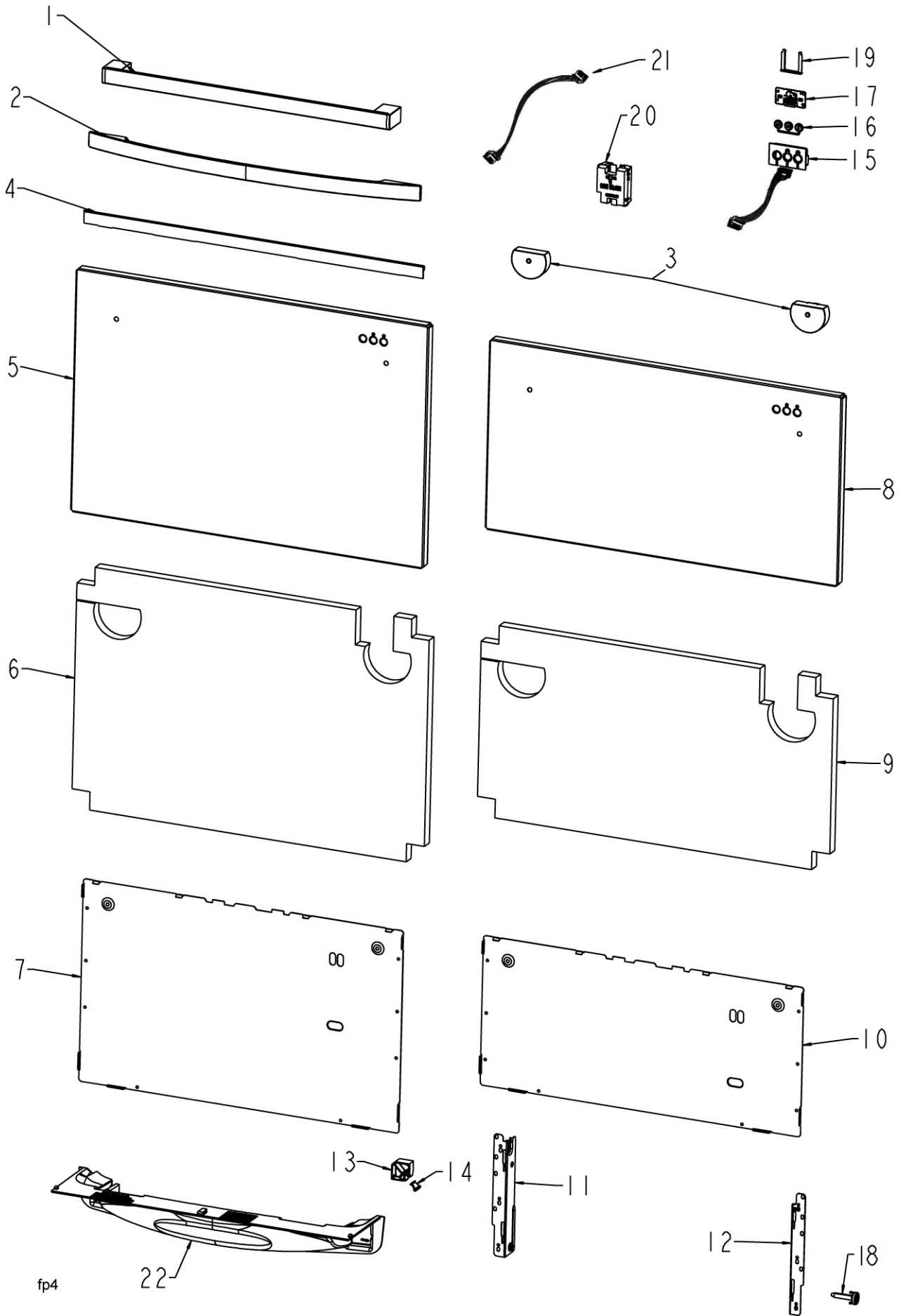
fp10

## Front Panels / Controls: Prefinished models

| Ref | Part      | Description                     | Model |
|-----|-----------|---------------------------------|-------|
| 3   | 528525    | HANDLE LCD PREFINISH SS PAINTED |       |
| 4   | 526627    | SEAL LCD                        |       |
| 5   | 526211    | HOUSING LCD BACK PH3            |       |
| 6   | 528044NP  | LCD BOARD HEAT 3M PH3.5         |       |
| 7   | 526212    | HOUSING LCD FRONT PH3           |       |
| 8   | 526454    | BUTTONS CONTROL SS PH3          |       |
| 12  | 527308    | KIT DOOR INSERT                 |       |
|     | 527178    | <i>INSERT DOOR LOWER</i>        |       |
|     | 527179    | <i>INSERT DOOR UPPER</i>        |       |
| 13  | 525950    | COWLING TUB                     |       |
| 14  | * 528957P | DOOR LWR ASSY 430SE PH3 US      | DD    |
| 15  | 526655    | INSUL DOOR LOWER US             | DD    |
| 16  | 525010    | PIN DOOR                        |       |
| 17  | 526653    | INSUL DOOR UPPER                |       |
| 18  | * 528954P | DOOR UPR ASSY 430SE FP PH3      |       |
| 20  | 526753    | HARNESS LCD                     |       |

## **2 FRONT PANELS / CONTROLS: FLAT DOOR MODELS**



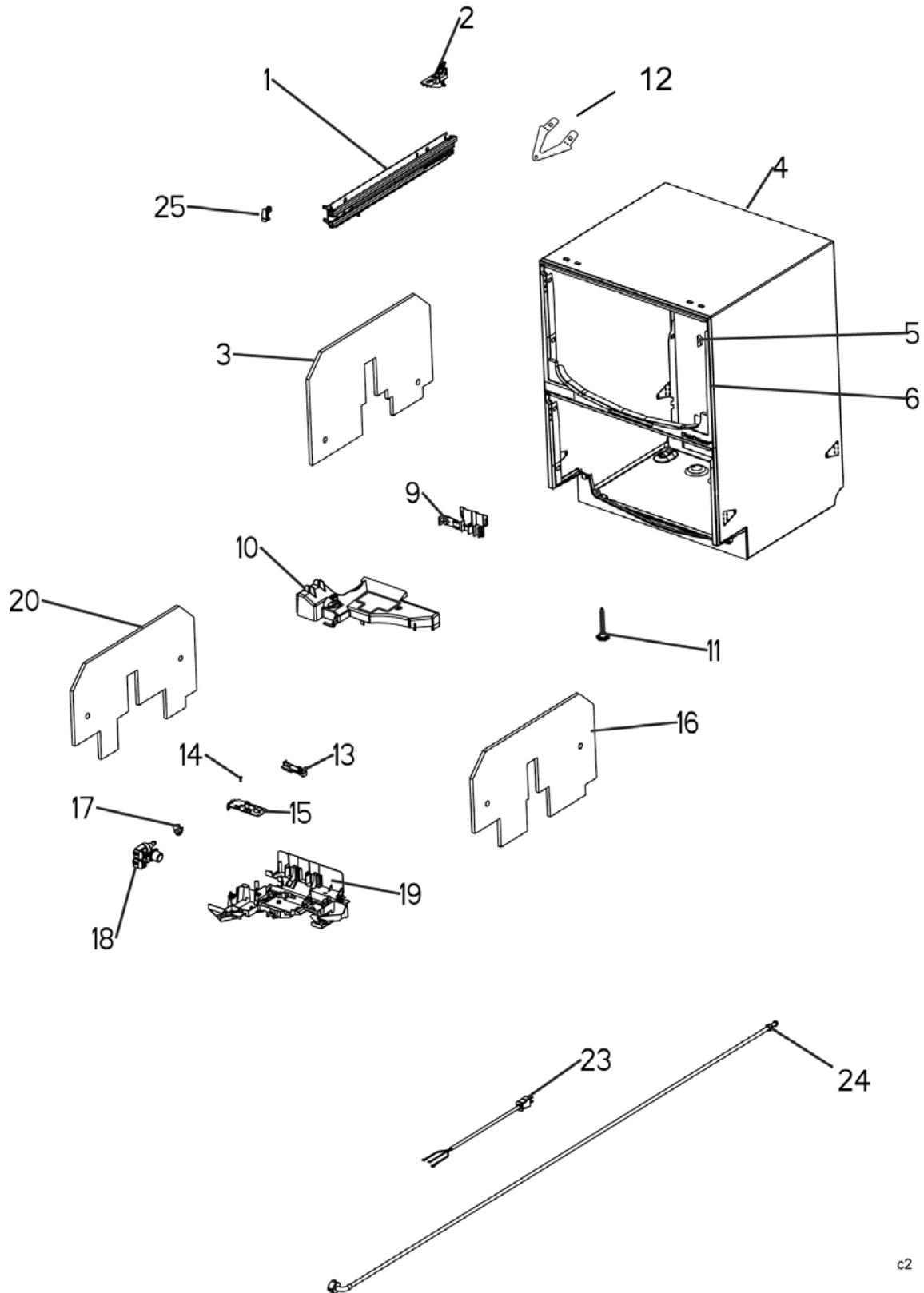


fp4

**Front Panels / Controls: Flat door models**

| <b>Ref</b> | <b>Part</b>    | <b>Description</b>                   | <b>Model</b> |
|------------|----------------|--------------------------------------|--------------|
| 1          | 527645         | HANDLE DESIGNER DD                   | FD           |
| 2          | 527646         | HANDLE CURVED DD                     | FC           |
| 3          | 528493         | PLATE SUPPORT HANDLE                 |              |
| NI         | 528691P        | SCREW MC M5X25 PN NIB PH (PKT2)      |              |
| 4          | * 527586       | KIT INTEGRATED DOOR SEAL             |              |
| 5          | * 528967       | DOOR FLAT UPR ASSY 430SE FP          |              |
| 6          | 527431         | DOOR FLAT INFILL UPPER               |              |
| 7          | 527687         | DOOR FLAT UPPER REAR                 |              |
| NI         | 556011P        | SCREW ST 8X3/8 TAB MSH PH (PKT 10)   |              |
| 8          | * 528969       | DOOR FLAT LWR ASSY 430SE US          | DD           |
| 9          | 527666         | DOOR FLAT INFILL LOWER US            | DD           |
| 10         | 527685         | DOOR FLAT LOWER REAR US              | DD           |
| NI         | 556011P        | SCREW ST 8X3/8 TAB MSH PHP (PKT 10)  |              |
| 11         | 526394         | BRACKET INTEGRATED SHIELD LH         |              |
| 12         | 526395         | BRACKET INTEGRATED SHIELD RH         |              |
| NI         | 556011P        | SCREW ST 8X3/8 TAB MSH PH (PKT 10)   |              |
| 13         | 527678         | CLIP CORNER FLAT DOOR                |              |
| 14         | 527679         | OUTER CORNER DOOR FLAT               |              |
| 15         | 528607P        | BADGE ASSY DESIGNER ROHS             |              |
|            | <i>528073</i>  | <i>HOUSING ASSY BADGE DESIGNER</i>   |              |
|            |                | <i>HOUSING BADGE DESIGNER</i>        |              |
|            |                | <i>LIGHT PIPES BADGE DESIGNER</i>    |              |
|            |                | <i>TAPE BADGE DESIGNER</i>           |              |
|            | <i>527429</i>  | <i>BUTTONS BADGE DESIGNER</i>        |              |
|            | <i>528762P</i> | <i>DESIGNER BADGE PCB ASSY ROHS</i>  |              |
|            |                | <i>HARNESS BADGE PH3.5</i>           |              |
|            | <i>527691</i>  | <i>LOCKBAR BADGE DESIGNER SERIES</i> |              |
| 16         | 527429         | BUTTONS BADGE DESIGNER               |              |
| 17         | 528762P        | DESIGNER BADGE PCB ASSY ROHS         |              |
| 18         | 525010         | PIN DOOR                             |              |
| 19         | 527691         | LOCKBAR BADGE DESIGNER SERIES        |              |
| 20         | 527785NP       | BADGE ISOLATOR VERSION 2             |              |
| 21         | 526755         | HARNESS BADGE ISOLATOR PH3.5         |              |
| 22         | 525950         | COWLING TUB                          |              |

# 3 CABINET

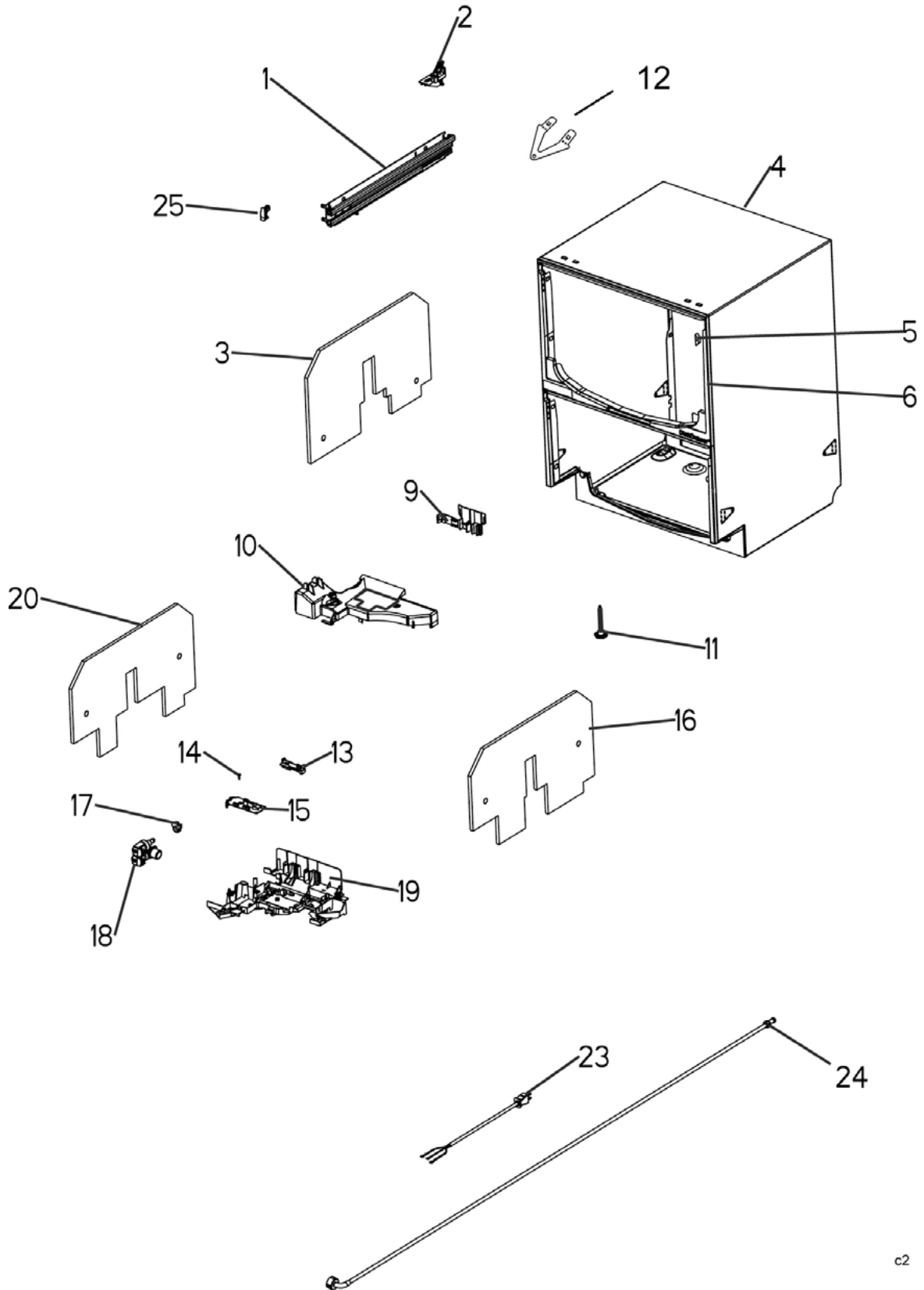


c2

## Cabinet

| Ref | Part    | Description                            | Model |
|-----|---------|--|-------|
| 1   | 526323  | SLIDE & BRACKET ASSY LH                |       |
|     | 526324  | SLIDE & BRACKET ASSY RH                |       |
| NI  | 556607P | SCREW MC M5X10 TAPTITE (PKT 10)        |       |
| 2   | 526128  | LATCH ASSY RH                          |       |
|     | 526130  | LATCH ASSY LH                          |       |
| 3   | 528821  | INSUL CHASSIS TOP / SINGLE RIGHT AUTEX |       |
| 4   | 526756  | KIT REPLACE CHASSIS DBL PH3            | DD    |
|     |         | CHASSIS DOUBLE ASSY GALV               |       |
|     | 526797  | TAB TOP (x 2)                          |       |
|     | 528941  | FOOT (x 4)                             |       |
|     |         | TRIM CHASSIS CHARCOAL (UPPER)          |       |
|     |         | TRIM CHASSIS KICKSTRIP CHARCL (LOWER)  |       |
|     | 525968  | MOUNT LINK TOP                         |       |
|     | 526378  | PRISM TUB HOME (x 2)                   |       |
|     | 526768  | KIT REPLACE CHASSIS SGL PH3            | DS    |
|     |         | CHASSIS SINGLE ASSY GALV               |       |
|     | 526378  | PRISM TUB HOME                         |       |
|     |         | TRIM CHASSIS CHARCOAL (UPPER)          |       |
| 5   | 526378  | PRISM TUB HOME                         |       |
| 6   | 527862  | KIT TRIM/SEAL CHARCOAL DD603           | DD    |
|     |         | TRIM/SEAL UPPER ASSY CHARCOAL          |       |
|     |         | TRIM/SEAL LOWER ASSY CHARCOAL          |       |
|     | 526378  | PRISM TUB HOME (x 2)                   |       |
|     | 527863  | KIT TRIM/SEAL CHARCOAL DS603           | DS    |
|     |         | TRIM/SEAL UPPER ASSY CHARCOAL          |       |
|     | 526378  | PRISM TUB HOME                         |       |
| 9   | 525968  | MOUNT LINK TOP                         | DD    |
| 10  | 525977P | LID CHASSIS MODULE                     |       |
| 11  | 528941  | FOOT                                   | DD    |
| 12  | 526797  | TAB TOP                                | DD    |
| 13  | 526250  | RETAINER LINK                          |       |
| 14  | 556624P | SCREW ST M4X16 XTITE HXW (PKT 10)      |       |
| 15  | 525959P | MAINS FILTER PH3 US                    |       |
| 16  | 528820  | INSUL CHASSIS BOTTOM LEFT AUTEX        | DD    |
|     | 528819  | INSUL CHASSIS BOTTOM RIGHT AUTEX       | DD    |
| 17  | 525466  | CLAMP HOSE HERBIE TYPE E               |       |

# Cabinet

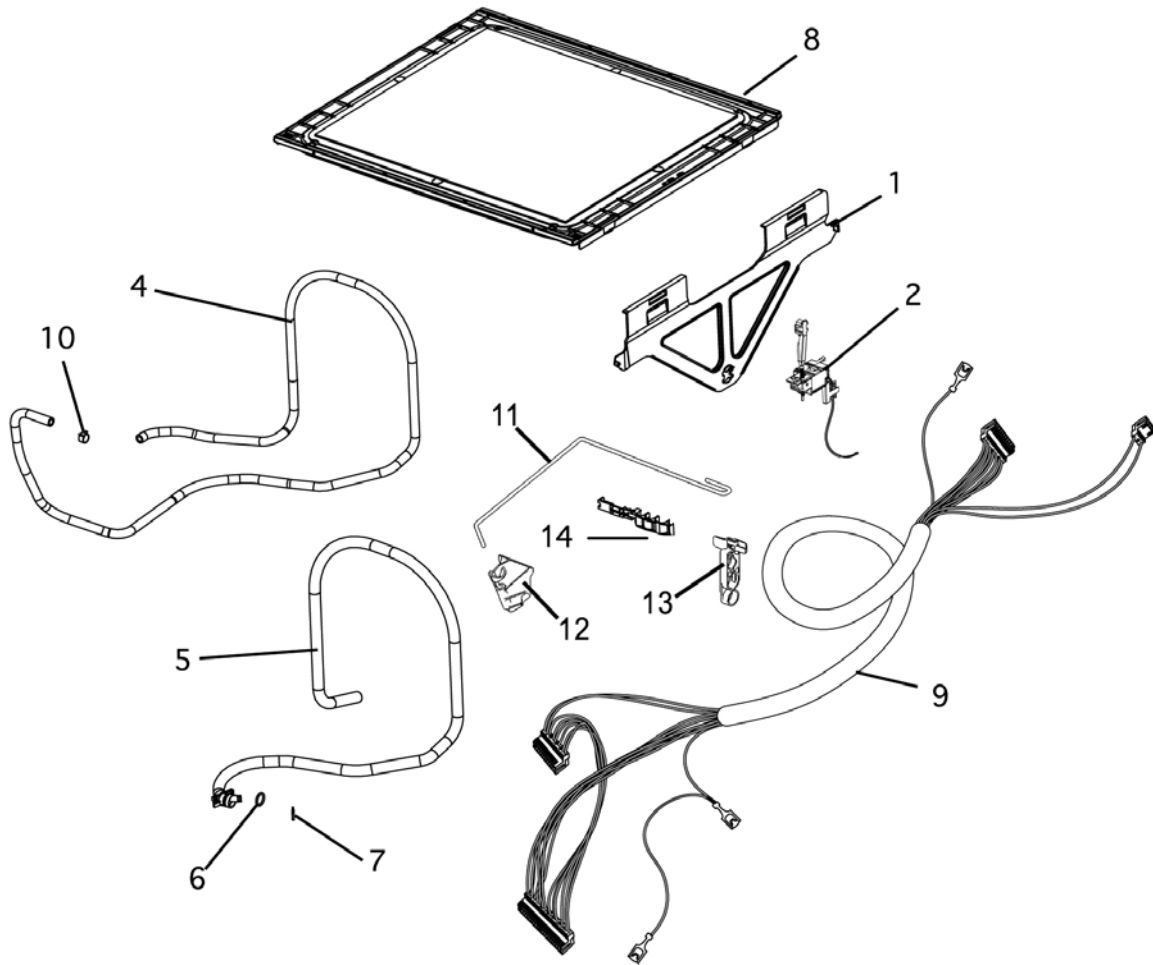


c2

## Cabinet

| <b>Ref</b> | <b>Part</b> | <b>Description</b>                | <b>Model</b> |
|------------|-------------|-----------------------------------|--------------|
| 18         | 526850      | VALVE INLET DOUBLE 2.5L           | DD           |
|            | 526851      | VALVE INLET SINGLE 2.5L           | DS           |
| 19         | 525976      | CHASSIS MODULE                    |              |
| NI         | 528783P     | SCREW ST M3.5X25 PLASTITE (PKT10) |              |
| 20         | 528822      | INSUL CHASSIS SINGLE LEFT AUTEX   | DS           |
| 23         | 525983      | FLEX ASSY MAINS US                |              |
| NI         | 572638      | SADDLE TERMINATION STRIP          |              |
| NI         | 556607P     | SCREW MC M5X10 TAPTITE (PKT 10)   |              |
| 24         | 525970      | HOSE INLET WIRSBO US              |              |
| NI         | 525938P     | WASHER WIRSBO US (PKT 10)         |              |
| NI         | 526161      | ADAPTOR HOSE INLET US             |              |
| 25         | 525971      | CLIP TUB RELEASE RH               |              |
|            | 525972      | CLIP TUB RELEASE LH               |              |

# 4 LID AND LINK ASSEMBLY

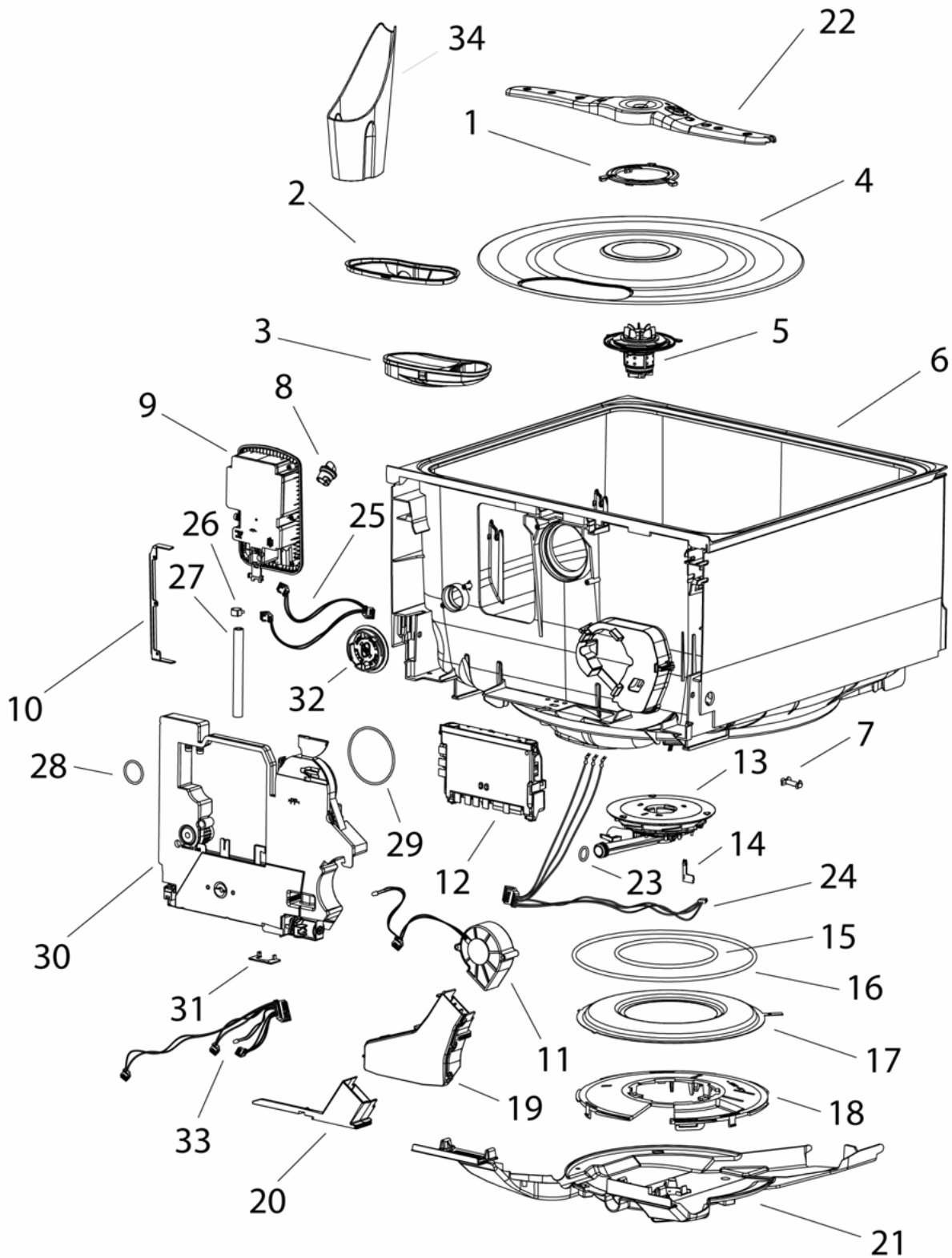


## Lid and Link Assembly

| Ref | Part     | Description                       | Model |
|-----|----------|-----------------------------------|-------|
| 1   | * 526186 | YOKE LID RIGHT                    |       |
|     | * 526260 | YOKE LID LEFT                     |       |
| 2   | 528112   | KIT LID ACTUATORS TOP (PKT 2)     | DD    |
|     | 528113   | KIT LID ACTUATORS BOTTOM (PKT 2)  |       |
| 4   | 526837   | HOSE FILL LOWER                   |       |
|     | 526836   | HOSE FILL UPPER                   | DD    |
| 5   | 527137   | KIT DRAIN HOSE                    |       |
|     |          | HOSE DRAIN                        |       |
|     | 525940   | O RING CUFF SOCKET UL             |       |
| NI  | 525798   | KIT DRAIN HOSE EXTENSION 3.6M     |       |
|     |          | DRAIN HOSE EXTENSION (x 2)        |       |
|     | 525482   | CLIP WIRE DRAIN (x 4)             |       |
|     | 525780   | DRAIN HOSE JOINER (x 2)           |       |
| NI  | * 527394 | KIT DRAIN HOSE JOINER             |       |
|     | 525482   | CLIP WIRE DRAIN (x 2)             |       |
|     | 525780   | DRAIN HOSE JOINER                 |       |
| 6   | 525940P  | O RING CUFF SOCKET UL REC (PKT 4) |       |
| 7   | 525414P  | VALVE FLAP (PKT2)                 |       |
| 8   | 526732P  | LID ASSY PH3                      |       |
| 9   | 526749   | HARNESS CHASSIS LOWER             |       |
|     | 526750   | HARNESS CHASSIS UPPPER            | DD    |
| 10  | 528674   | CLAMP HOSE TYPE 12232-17-GT       |       |
| 11  | 528095   | ROD LINK SUPPORT                  |       |
| 12  | 528101   | BRACKET LINK SUPPORT              |       |
| 13  | 528162   | CLIP LINK SUPPORT                 |       |
| 14  | 528537P  | CLIP LINK TUB SIDE (PKT 10)       |       |



# 5 TUBS AND COMPONENTS

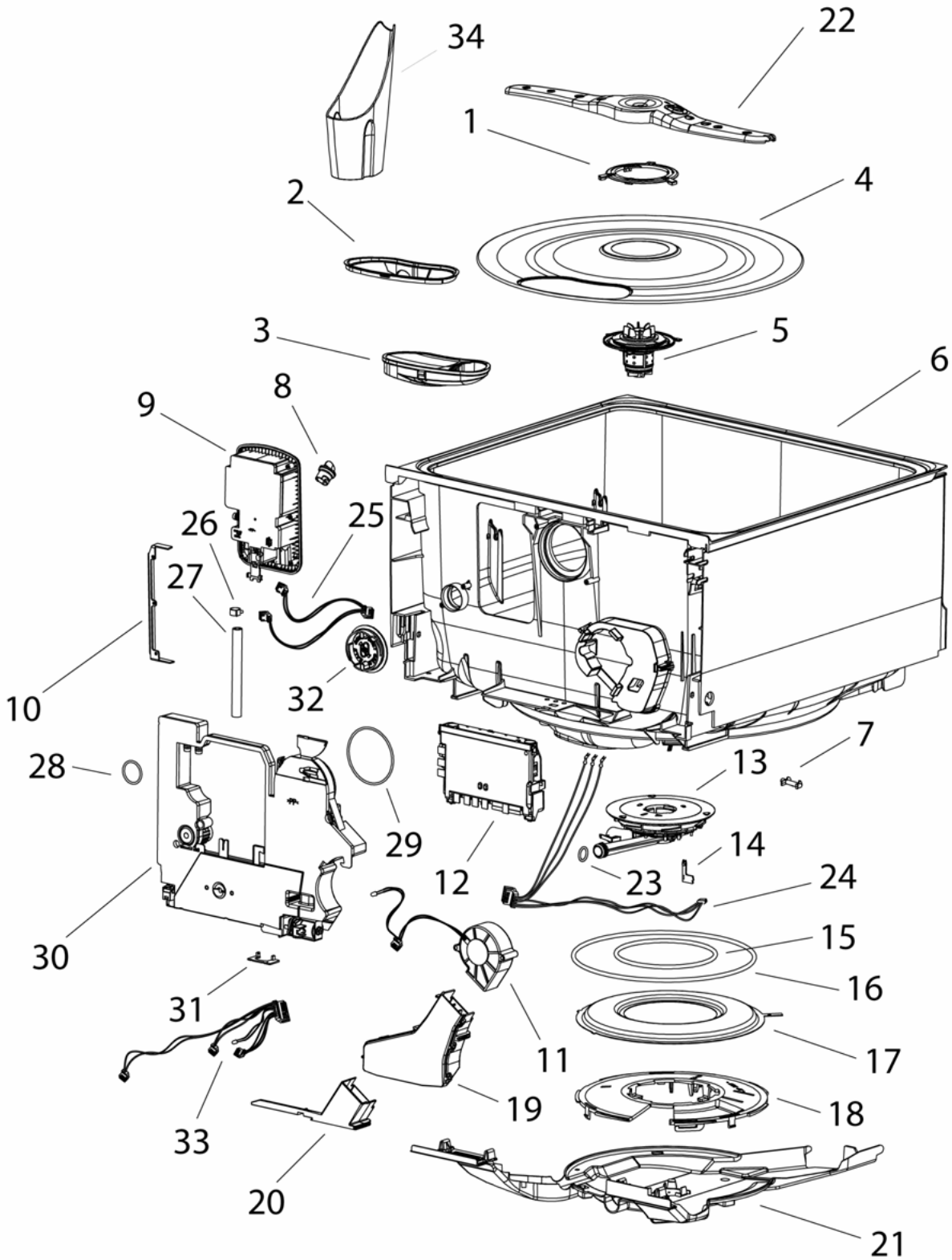


t1

## Tubs and Components

| Ref | Part       | Description  | Model        |
|-----|------------|--|--------------|
| 1   | 526069     | LOCK NUT FILTER PLATE                              |              |
| 2   | * 527547   | KIT DRAIN FILTER TRIM SP                           |              |
| 3   | * 527739   | DRAIN FILTER ASSY 6MM DIVIDER                      |              |
| 4   | 527227P    | FILTER PLATE ASSY 316 (SP)                         |              |
|     |            | FILTER PLATE 316                                   |              |
|     | 527546     | <i>DRAIN FILTER TRIM</i>                           |              |
|     | 526069     | <i>LOCK NUT FILTER PLATE</i>                       |              |
| 5   | 525884P    | MOTOR ROTOR ASSY (SP)                              |              |
| 6   | 525969     | TUB W/ASSY PH3 WHITE QFP TEXT – non water softener | All except H |
|     | 526798     | TUB W/ASSY PH3 W/SOFT F&P TEXT – water softener    | H            |
| 7   | 526623     | LIGHT TRANSFER TUBE                                |              |
| 8   | 527694     | BUNG ASSY DISPENSER RINSE AID                      |              |
| 9   | 526860     | KIT DISPENSER                                      |              |
|     |            | DISPENSER DISHDRAWER                               |              |
|     | 526789     | <i>BRACKET DISPENSER SHORT (x 2)</i>               |              |
| NI  | 556155P    | SCREW M3.5X14 PANTX K35 PKT10                      |              |
| 10  | 526789     | BRACKET DISPENSER SHORT                            |              |
| 11  | 526752     | HARNESS & FAN ASSY                                 |              |
| 12  | 528397HUSP | CONTROLLER 525 PH3.5 VER 4                         |              |
| NI  | 529041     | PANEL CONTROLLER ROHS                              |              |
| 13  | * 528042   | KIT MOTOR ASSY KIT PH3                             |              |
|     |            | MOTOR ASSY COMP PH3                                |              |
|     | 525940     | <i>O RING CUFF SOCKET UL REC</i>                   |              |
|     | 525058     | <i>SEAL HEATER PLATE/TUB</i>                       |              |
|     | 525059     | <i>SEAL MOTOR HOUSING</i>                          |              |
| 14  | 526340NP   | HALL SENSOR 525 P3                                 |              |
| 15  | 525059     | SEAL MOTOR HOUSING                                 |              |
| 16  | 525058     | SEAL HEATER PLATE/TUB                              |              |
| 17  | 527702     | KIT HEATER PLATE PH3 US                            |              |
|     |            | HEATER PLATE ASSY PH3 US                           |              |
|     | 525059     | <i>SEAL MOTOR HOUSING</i>                          |              |
|     | 525058     | <i>SEAL HEATER PLATE/TUB</i>                       |              |
| 18  | 525162     | LOCKING NUT  |              |
| 19  | 526278     | DUCT TOP ASSY PH3                                  |              |
| 20  | 526279     | DUCT BOTTOM PH3                                    | DD           |
| 21  | 525956     | COVER WIRING PH3                                   |              |
| 22  | 527475     | SPRAY ARM ASSY SLUICING 03 18H                     |              |

### Tubs and Components

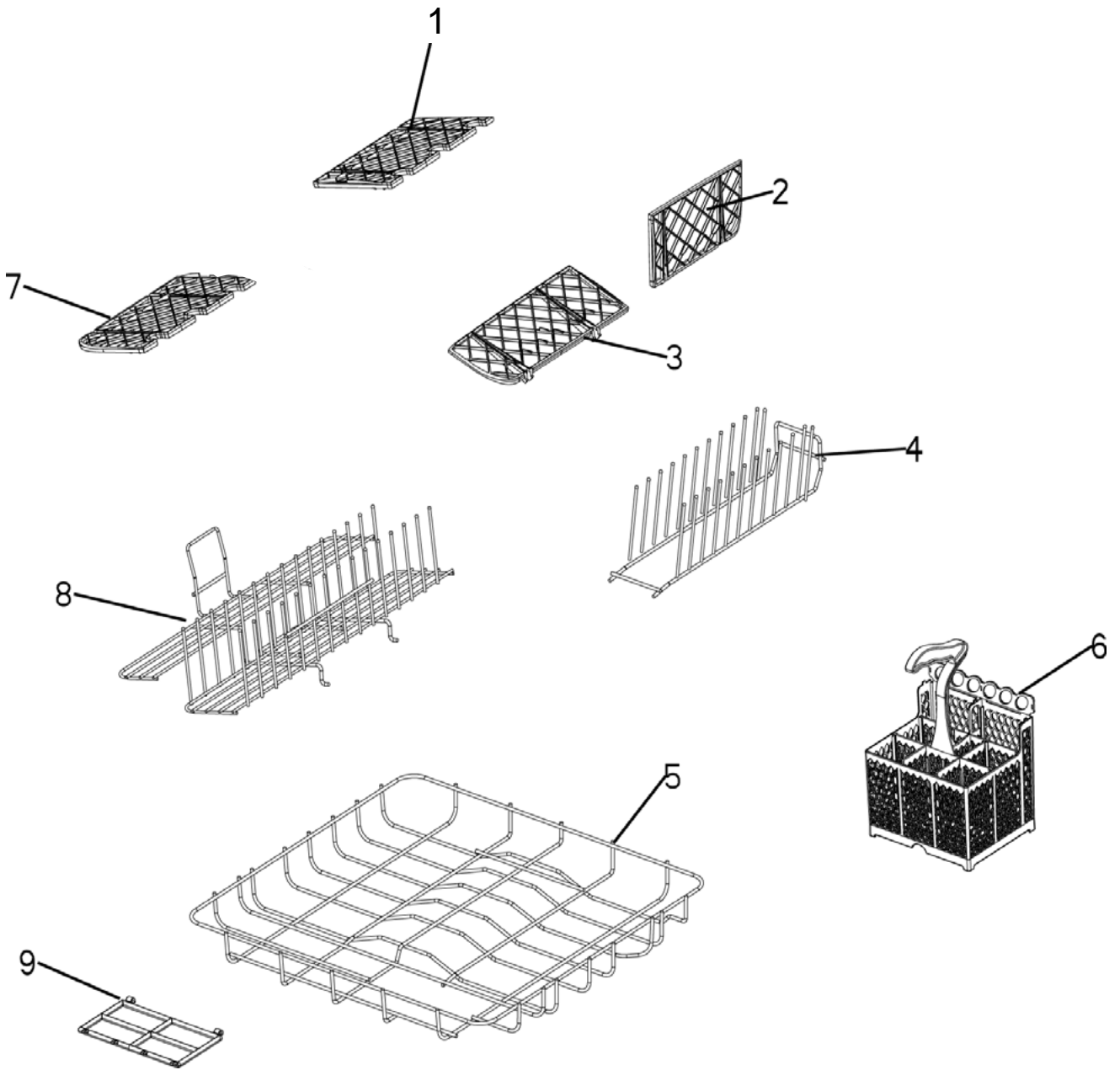


t1

## Tubs and Components

| Ref | Part           | Description                          | Model |
|-----|----------------|--------------------------------------|-------|
| 23  | 525940P        | O RING CUFF SOCKET UL REC (PKT 4)    |       |
| 24  | 526751         | HARNESS MOTOR                        |       |
| 25  | 526263         | HARNESS DISPENSER PH3                |       |
| 26  | 528674         | CLAMP HOSE TYPE 12232-17-GT          |       |
| 27  | 528756         | HOSE FILL SOFTENER BLACK WRC         | H     |
| 28  | 526718         | O RING OVERFLOW SOFTENER             | H     |
| 29  | 526717         | O RING SALT TANK                     | H     |
| 30  | 527084         | KIT WATER SOFTENER ASSY (SP)         | H     |
|     |                | WATER SOFTENER                       | H     |
|     | <i>526718</i>  | <i>O RING OVERFLOW SOFTENER</i>      | H     |
|     | <i>526717</i>  | <i>O RING SALT TANK</i>              | H     |
|     | <i>526713</i>  | <i>BUNG SOFTENER ASSY</i>            | H     |
|     | <i>528606P</i> | <i>SALT SENSE SMD 525 PH3.5 ROHS</i> | H     |
|     | <i>556600</i>  | <i>SCREW M3.5X14 (x 4)</i>           | H     |
| NI  | 556155P        | SCREW M3.5X14 PANTX K35 (PKT10)      | H     |
| 31  | 528606P        | SALT SENSE SMD 525 PH3.5 ROHS        | H     |
| 32  | 526713         | BUNG SOFTENER ASSY                   | H     |
| 33  | 526840         | HARNESS WATER SOFTENER               | H     |
| 34  | 526835         | CONTAINER SALT FILLING               | H     |

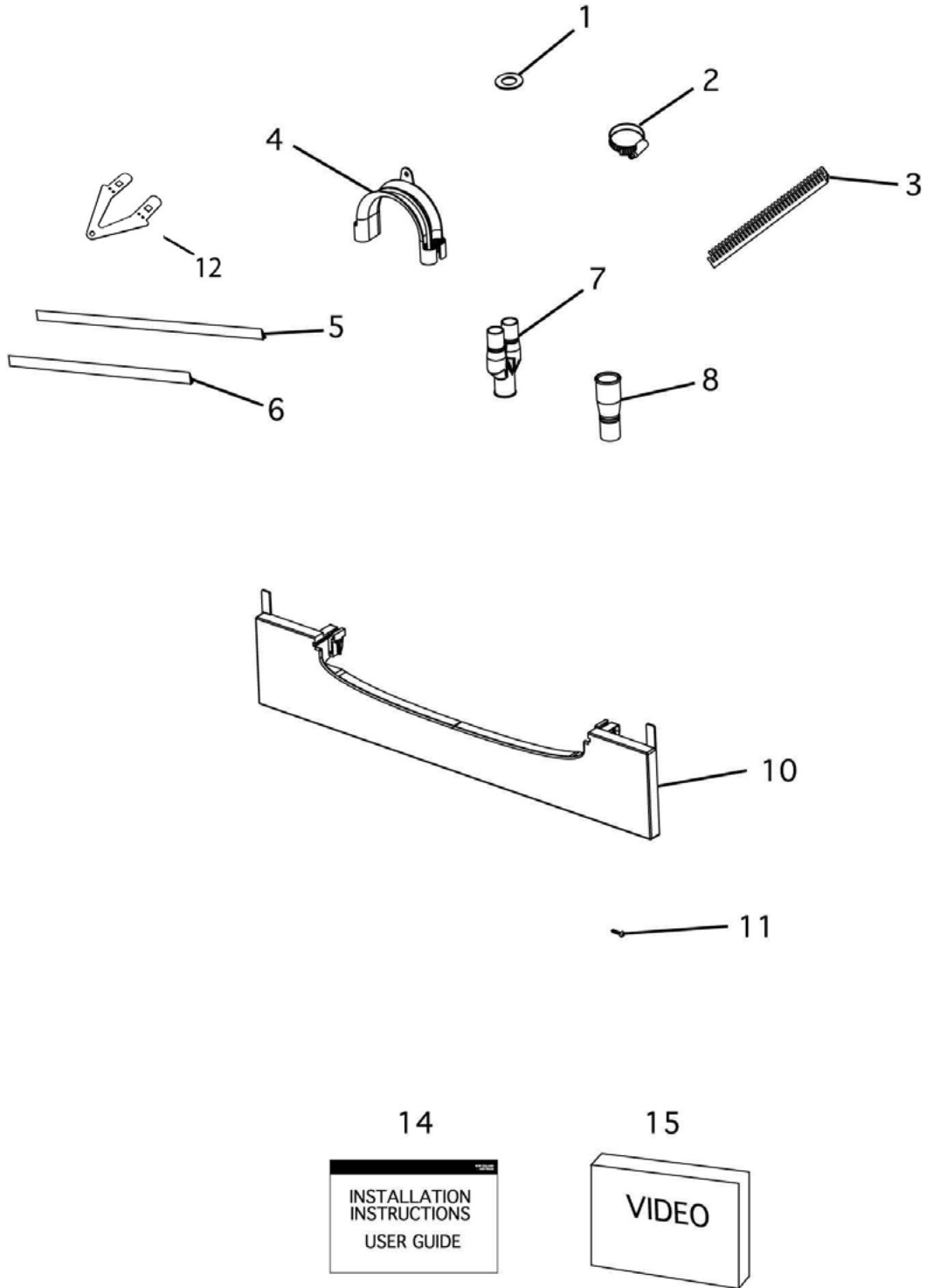
# 6 BASKETS AND RACKS



## Baskets and Racks

| <b>Ref</b> | <b>Part</b> | <b>Description</b>             | <b>Model</b>    |
|------------|-------------|--------------------------------|-----------------|
| 1          | 526374      | CUP RACK BACK LEFT             |                 |
| 2          | 526377      | CUP RACK BACK RIGHT            |                 |
| 3          | 526376      | CUP RACK FRONT RIGHT           |                 |
| 4          | 526092      | INSERT CROCKERY US SILVER      |                 |
|            | * 525581    | INSERT CROCKERY 12 INCH SILVER | Spare part only |
| 5          | 526062      | BASKET SILVER                  |                 |
| 6          | 525489      | CUTLERY CONTAINER ASSY         |                 |
| 7          | 526375      | CUP RACK FRONT LEFT            |                 |
| 8          | 526346      | UNI INSERT SILVER              |                 |
| 9          | 526345      | TRAP DOOR DRAIN FILTER ACCESS  |                 |

# 7 INSTALLATION COMPONENTS



## Installation Components

|                                    | <b>Part</b>   | <b>Description</b>                    | <b>Model</b> |
|------------------------------------|---------------|---------------------------------------|--------------|
| 1                                  | 525938P       | WASHER WIRSBO US (PKT 10)             |              |
| 2                                  | 528111        | CLAMP HOSE DIA 32-14                  |              |
| 3                                  | 525935        | EDGE 160MM 22PKG020 UHMWPE US         |              |
| 4                                  | 525477F       | SUPPORT DRAIN HOSE                    |              |
| 5                                  | 526771        | TRIM CAVITY SIDE DBL CHARCL US        | DD           |
|                                    | 526772        | TRIM CAVITY SIDE SGL CHARCL US        | DS           |
| 6                                  | 526773        | TRIM CAVITY TOP CHARCL US             |              |
| 7                                  | 525925        | DRAIN SPIGOT CONNECTOR DBL US         | DD           |
| 8                                  | 525926        | DRAIN SPIGOT CONNECTOR SGL US         | DS           |
| 10                                 | 526679        | KIT KICKSTRIP BLACK US                | DD           |
|                                    | * 527109      | KIT KICKSTRIP SILVER                  | DD           |
| 11                                 | 556089P       | SCREW WS 8X5/8TWINFST (PKT 10)        |              |
| 12                                 | 526797        | TAB TOP                               | DD           |
| 14                                 | 528343        | BOOK SET USER/INSTAL FP US            |              |
| NI                                 | 420353        | COMPACT DISC-US PRODUCT               |              |
| 15                                 | 526573        | VIDEO USE & CARE DD603 US             |              |
| <i>Other non-illustrated parts</i> |               |                                       |              |
| NI                                 | 525482        | CLIP WIRE DRAIN                       |              |
| NI                                 | 526676        | KIT INSTALL DOUBLE/SINGLE US          |              |
|                                    | <i>525477</i> | <i>SUPPORT DRAIN HOSE</i>             |              |
|                                    | <i>525482</i> | <i>CLIP WIRE DRAIN (x 2)</i>          |              |
|                                    | <i>525925</i> | <i>DRAIN SPIGOT CONNECTOR DBL US</i>  |              |
|                                    | <i>525926</i> | <i>DRAIN SPIGOT CONNECTOR SGL US</i>  |              |
|                                    | <i>525938</i> | <i>WASHER WIRSBO US</i>               |              |
|                                    | <i>528111</i> | <i>CLAMP HOSE DIA 32-14</i>           |              |
|                                    |               | <i>SCREW WS 8X5/8 TWIN FAST (x 7)</i> |              |
|                                    | <i>525935</i> | <i>EDGE 160MM 22 PKG020 UHMWPE US</i> |              |
|                                    | <i>526797</i> | <i>TAB TOP (x 2)</i>                  |              |
|                                    | <i>526771</i> | <i>TRIM CAVITY SIDE DBL CHARCL US</i> |              |
|                                    | <i>526772</i> | <i>TRIM CAVITY SIDE SGL CHARCL US</i> |              |
|                                    | <i>526773</i> | <i>TRIM CAVITY TOP CHARCL US</i>      |              |
| NI                                 | 527228        | KIT TAPE UNDERBENCH                   |              |
| NI                                 | 479314        | CARD REGISTRATION ALL PRODUCT         |              |
| NI                                 | * 526857      | CARTON SLEEVE DD REPACK               |              |



## 8 NOTES

| Part no   | Description                          | Note or Technical Bulletin reference   |
|---|--------------------------------------|--|
| <b>Front panels/controls (excluding flat door and DCS models)</b> |                                      |  |
| 528957P   | Lower door assemblies                | All lower door assemblies contain a door insert and door insulation  |
| 528954P   | Upper door assemblies                | All upper door assemblies contain a door insert and door insulation  |
| <b>Front panels/controls: flat door models</b>                    |                                      |  |
| 528967<br>528968  | Flat door upper and lower assemblies | These flat door assemblies contain a designer badge housing, door corners and clips (but no door insert or insulation) |
| 527586  | Integrated door seal                 | DW041, February 2004   |
| <b>Lid and link assembly</b>                                      |                                      |  |
| 526186<br>526260  | Yokes                                | DW040, November 2003   |
| 527394  | Kit drain hose joiner                | DW036, March 2003  |
| <b>Tubs and components</b>  |                                      |  |
| 527547  | Drain filter trim                    | DW040, November 2003   |
| 527739  | Drain filter                         | DW042, April 2004  |
| 528042  | Motor                                | DW043, June 2004   |
| <b>Baskets and racks</b>  |                                      |  |
| 525581  | Crockery insert                      | DW041, February 2004   |
| <b>Installation components</b>                                    |                                      |  |
| 526857  | Carton sleeve repack                 | DW035, February 2003   |

## Free Manuals Download Website

<http://myh66.com>

<http://usermanuals.us>

<http://www.somanuals.com>

<http://www.4manuals.cc>

<http://www.manual-lib.com>

<http://www.404manual.com>

<http://www.luxmanual.com>

<http://aubethermostatmanual.com>

Golf course search by state

<http://golfingnear.com>

Email search by domain

<http://emailbydomain.com>

Auto manuals search

<http://auto.somanuals.com>

TV manuals search

<http://tv.somanuals.com>