

Integrated panel preparation

DS605I and DD605I models

DishDrawer

NZ AU GB IE

Safety and warnings

WARNING!



Cut Hazard

Take care - panel edges are sharp.

Failure to use caution could result in injury or cuts.

Important!

- *Read these instructions completely and carefully.*
- *Ensure the product is not plugged in.*
- *Installation of DishDrawer® panels requires basic mechanical and electrical skills.*
- *Installation must comply with your local building and electricity regulations.*
- *Failure to install the DishDrawer panels correctly could invalidate any warranty or liability claims.*

Contents

Double models

Product preparation	2
---------------------	---

Single models

Product preparation	4
---------------------	---

Panel Installation

Badge cut-out, handle and mounting bracket	6
--	---

Securing the mounting brackets	7
--------------------------------	---

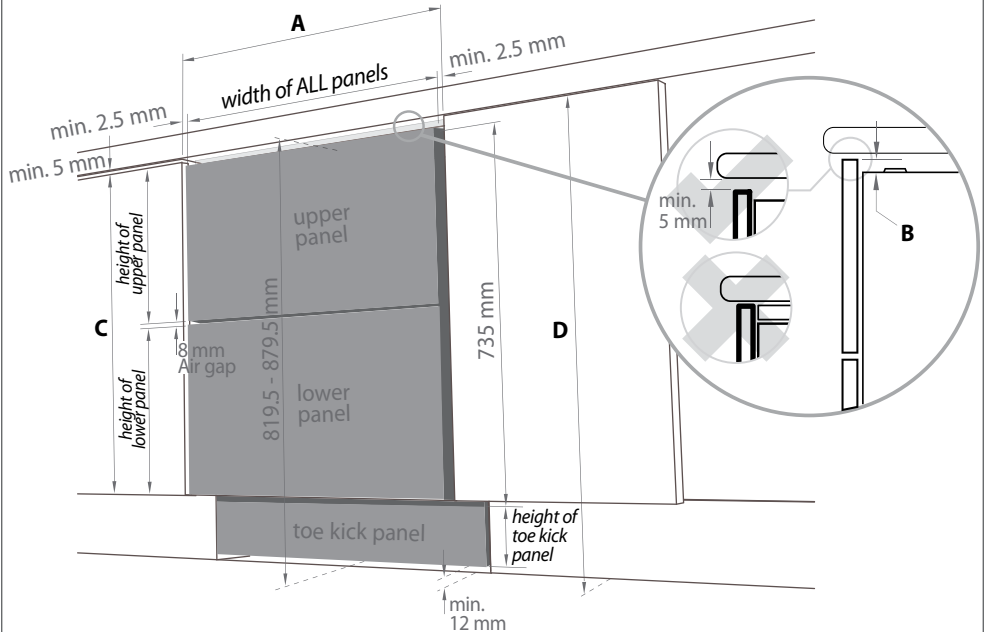
Reconnecting the wires and fitting the panels and a custom toe kick (double models only)	8
--	---

Important!

SAVE THESE INSTRUCTIONS

The models shown in this User Guide may not be available in all markets and are subject to change at any time. For current details about model and specification availability in your country, please go to our website www.fisherpaykel.com or contact your local Fisher & Paykel dealer.

Double DishDrawer models



Installation diagrams for illustration purposes only

The following calculations assume the top of the upper panel is aligned with the top of the adjacent cabinetry. The final panel/cabinetry alignment is achieved by adjusting the feet:

width of ALL panels

Measure **A** (the width between adjacent door/drawer fronts) and write it in the first box below, then complete the equation.

i.e. $\boxed{600 \text{ mm}}$ - 2 x $\boxed{2.5 \text{ mm}}$ = $\boxed{595 \text{ mm}}$

$\boxed{\text{A}}$ - 2 x $\boxed{\text{door clearance}}$ = $\boxed{\text{width ALL panels}}$
(min. 2.5 mm) (min. 595 mm)

height of upper panel

i.e. $\boxed{398 \text{ mm}}$ + $\boxed{0 \text{ mm}}$ = $\boxed{398 \text{ mm}}$

$\boxed{398 \text{ mm}}$ + $\boxed{\text{B door extension}}$ = $\boxed{\text{height upper panel}}$
(0 mm recommended) (min. 595 mm)

height of lower panel

Measure **C** (door/drawer height (or equivalent)) and write it in the first box below, then complete the equation.

i.e. $\boxed{717.5 \text{ mm}}$ - $\boxed{398 \text{ mm}}$ - 8 mm = $\boxed{311.5 \text{ mm}}$

$\boxed{\text{C}}$ - $\boxed{\text{height upper panel}}$ - 8 mm = $\boxed{\text{height lower panel}}$
(min. 717.5 mm + B) Air gap (min. 311.5 mm)

Note: The 'door extension' **B** allows for the top of the upper panel to be above the DishDrawer® where required.

Toe kick preparation

height of toe kick panel

Measure **D** (height from the top of adjacent cabinet door fronts to the floor) and write it in the first box below, then complete the equation.

$$\text{i.e. } \boxed{817.5 \text{ mm}} - \boxed{0 \text{ mm}} - 735 \text{ mm} - 12 \text{ mm} = \boxed{70.5 \text{ mm}}$$

D

height adjacent
cabinetry

B

door
extension

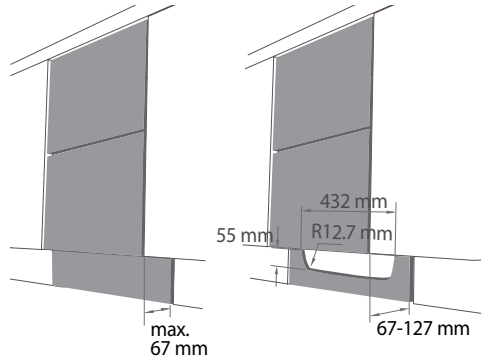
- 735 mm - 12 mm =

*height
toe kick panel*

min. clearance (min. 70.5 mm)

Toe kick options

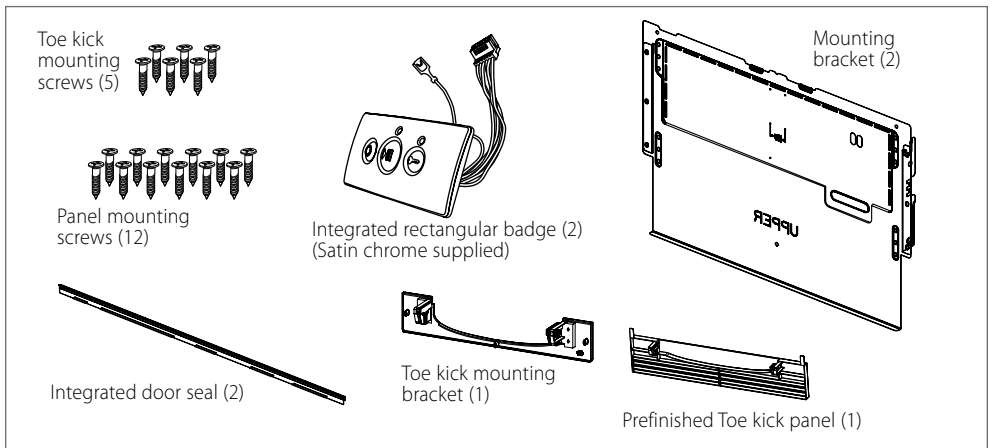
- The black prefinished toe kick panel is supplied. This panel can also have a front panel of your choice attached to it using screws or an adhesive.
- A toe kick panel of any material with thickness 9 - 19 mm can be screwed to the plastic toe kick mounting bracket (supplied).



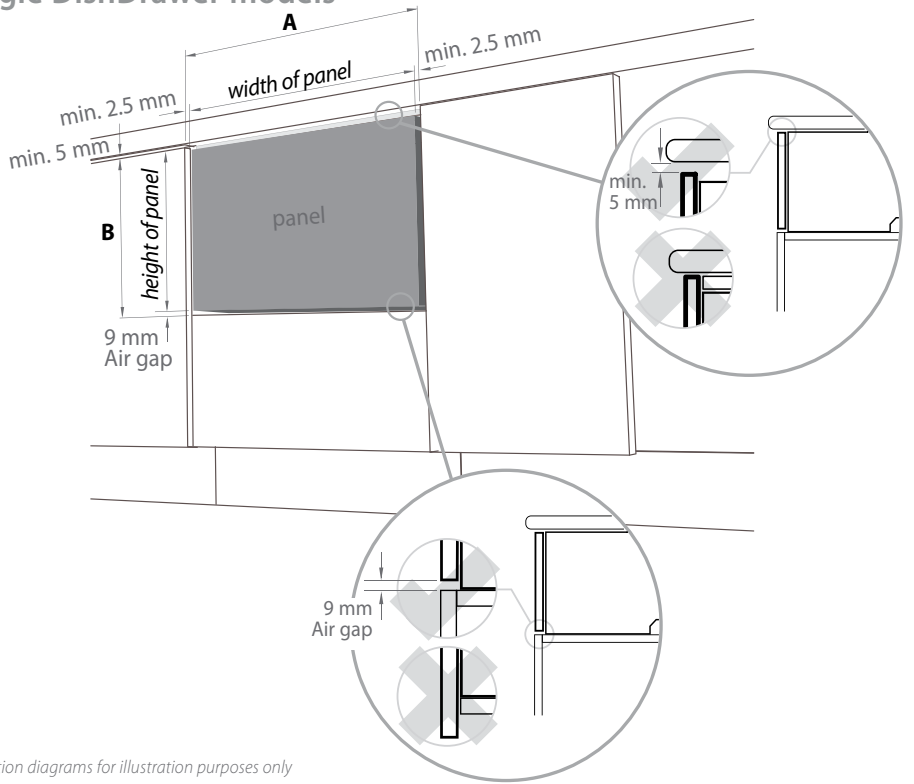
Integrated Panel material

- 16 -20 mm panel thickness
- Adequately sealed to withstand moisture (50°C @ 80% RH)

Parts supplied



Single DishDrawer models



Installation diagrams for illustration purposes only

The following calculations assume the top of the panel is aligned with the top of the adjacent cabinetry:

width of the panel

Measure **A** (the width between adjacent door/drawer fronts) and write it in the first box below, then complete the equation.

i.e. $\boxed{600 \text{ mm}}$ - 2 x $\boxed{2.5 \text{ mm}}$ = $\boxed{595 \text{ mm}}$

$\boxed{\text{A}}$ - 2 x $\boxed{\text{door clearance}}$ = $\boxed{\text{panel width}}$
(min. 2.5 mm) (min. 595 mm)

height of the panel

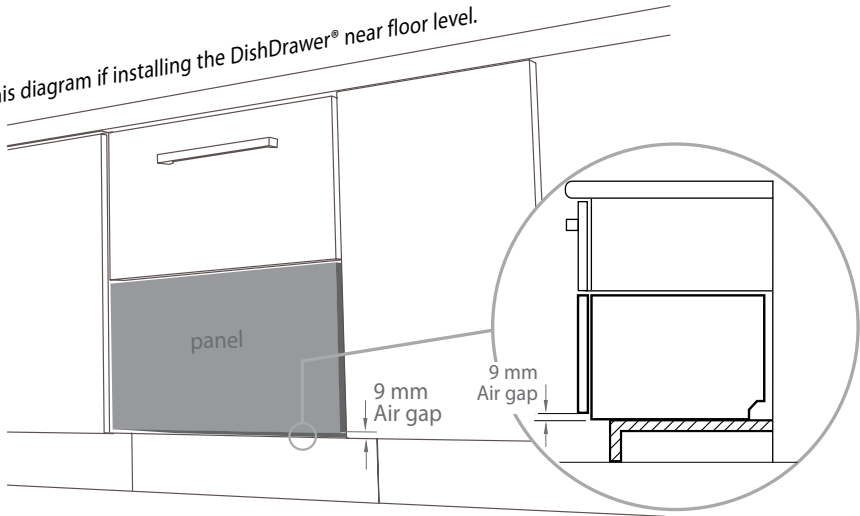
Measure **B** (door/drawer height (or equivalent)) and write it in the first box below, then complete the equation.

i.e. $\boxed{407 \text{ mm}}$ - 9 mm Air gap = $\boxed{398 \text{ mm}}$ panel height

$\boxed{\text{B}}$ - 9 mm Air gap = $\boxed{\text{panel height}}$
(min. 398 mm)

Note: when the top of the DishDrawer® has to be lower than the adjacent cabinetry, the panel can be increased in height.

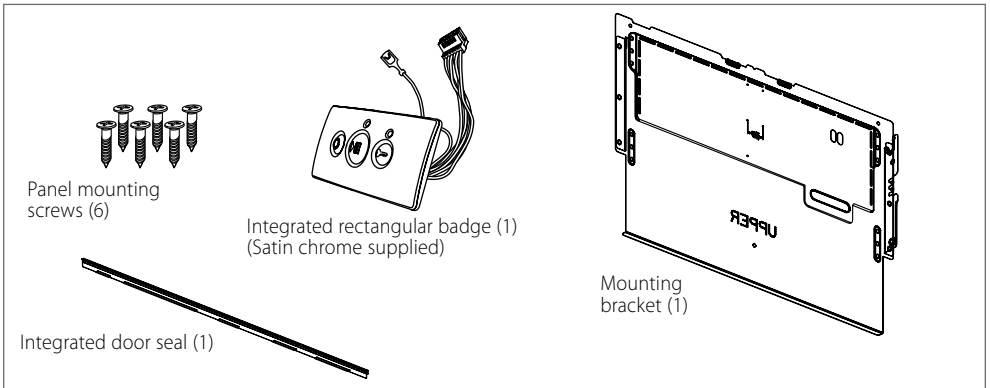
Use this diagram if installing the DishDrawer® near floor level.



Integrated Panel material

- 16 -20 mm panel thickness
- **Adequately sealed to withstand moisture (50°C @ 80% RH)**

Parts supplied



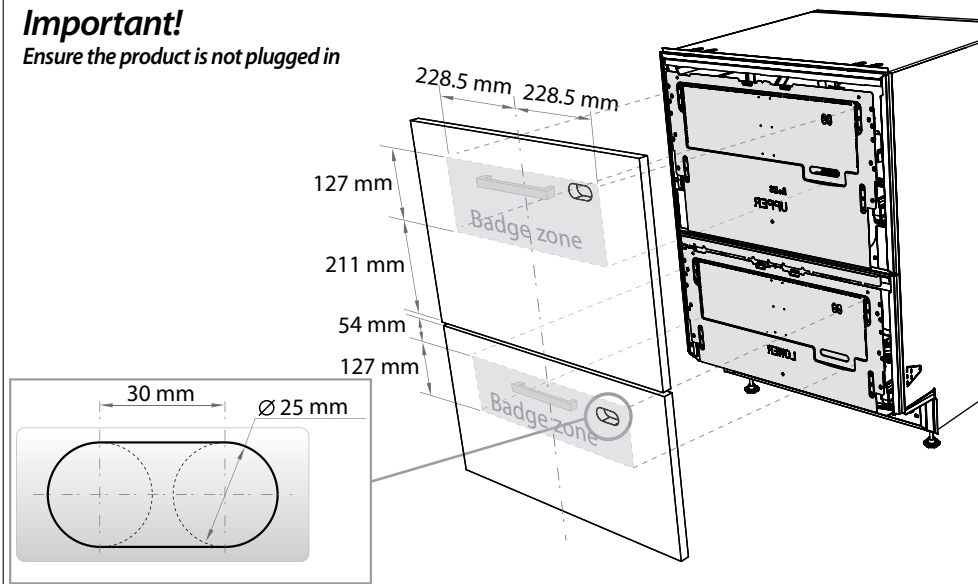
Badge cut-out, handle and mounting bracket

Installation diagrams feature double models for illustration purposes only

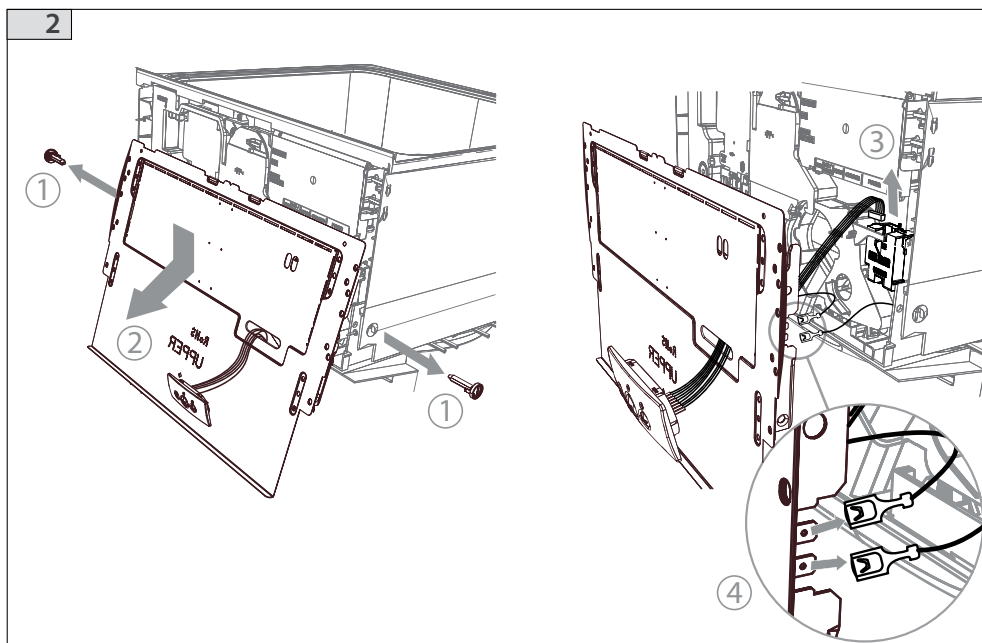
1

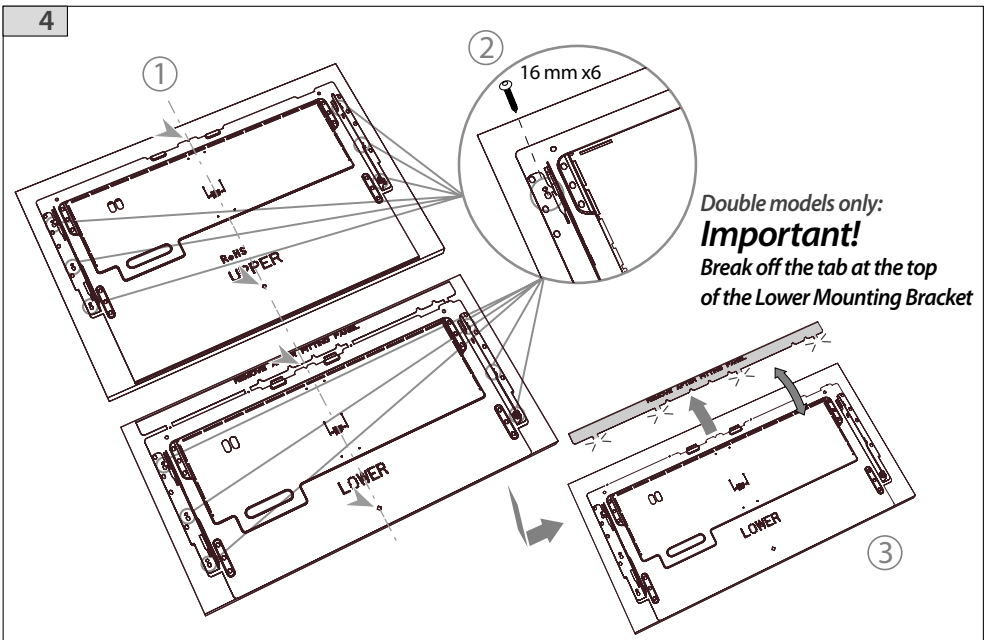
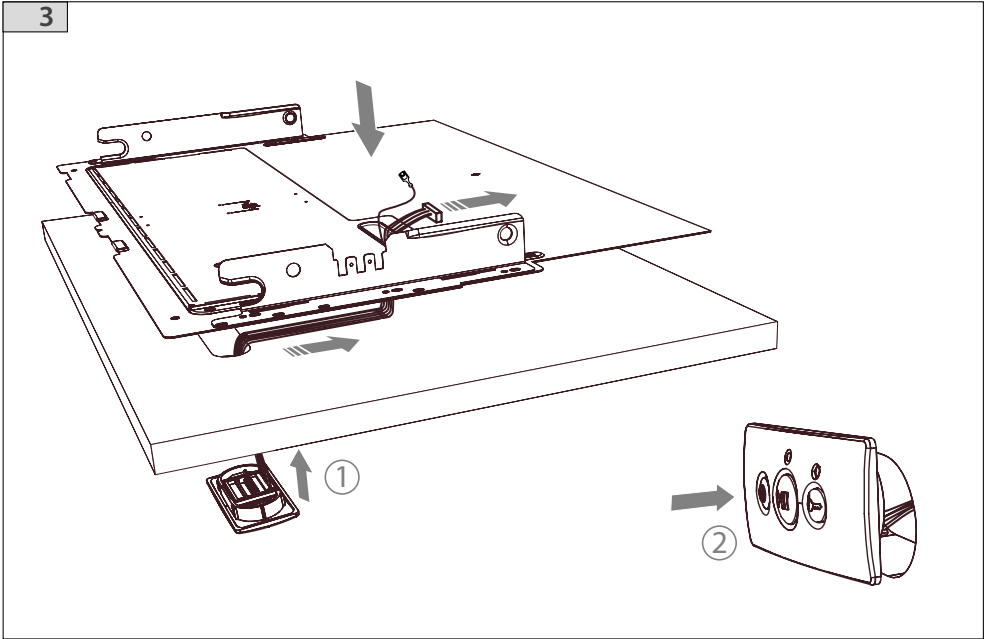
Important!

Ensure the product is not plugged in

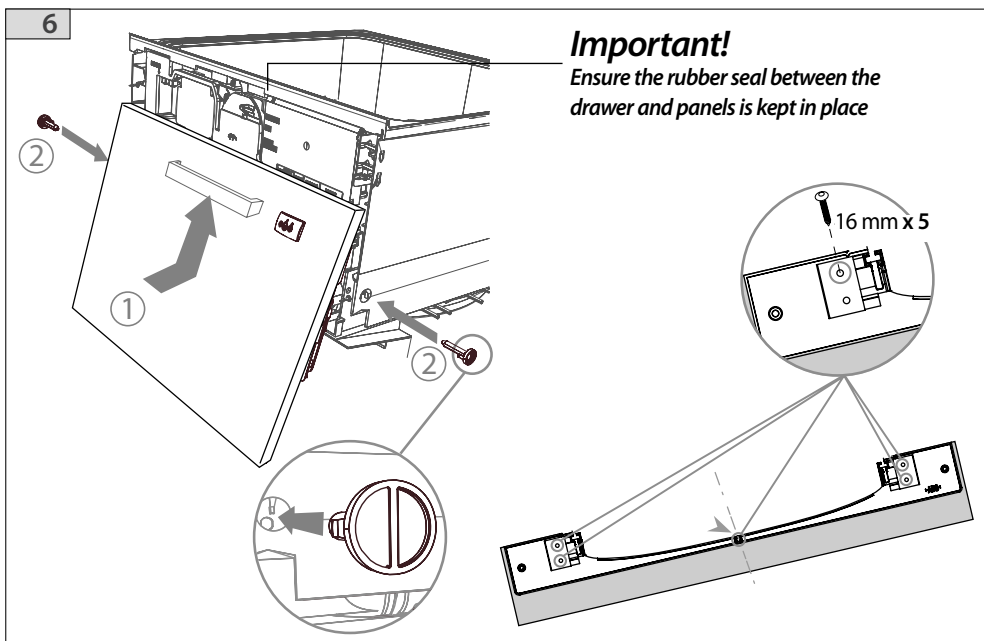
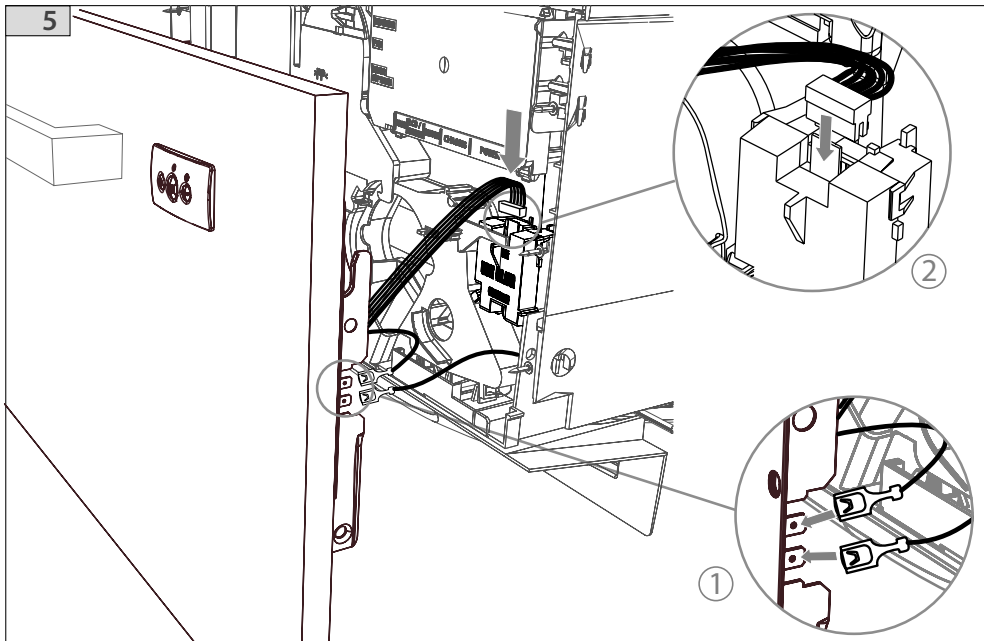


2





Reconnecting the wires and fitting the panels and a custom toe kick (double models only)



Copyright © Fisher & Paykel 2007. All rights reserved.

The product specifications in this booklet apply to the specific products and models described at the date of issue. Under our policy of continuous product improvement, these specifications may change at any time. You should therefore check with your Dealer to ensure this booklet correctly describes the product currently available.

www.fisherpaykel.com

NZ AU GB IE

DishDrawer integrated panel preparation

Published: 06/2007

Part No. 529712 A

Free Manuals Download Website

<http://myh66.com>

<http://usermanuals.us>

<http://www.somanuals.com>

<http://www.4manuals.cc>

<http://www.manual-lib.com>

<http://www.404manual.com>

<http://www.luxmanual.com>

<http://aubethermostatmanual.com>

Golf course search by state

<http://golfingnear.com>

Email search by domain

<http://emailbydomain.com>

Auto manuals search

<http://auto.somanuals.com>

TV manuals search

<http://tv.somanuals.com>