

# INSTALLATION INSTRUCTIONS

## DishDrawer™ dishwasher

DD90SDF(H)TX2, DD90SDFTM2 (Designer)  
& DD90S(H)TI2 (Integrated) models

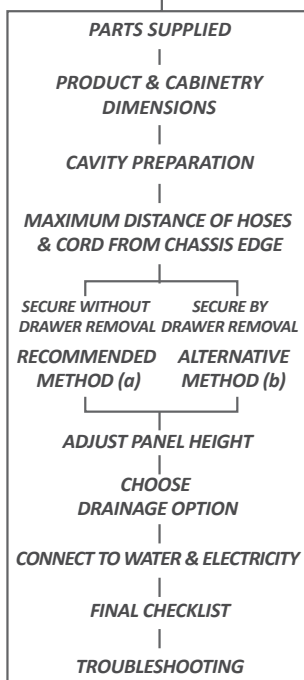


NZ AU GB IE

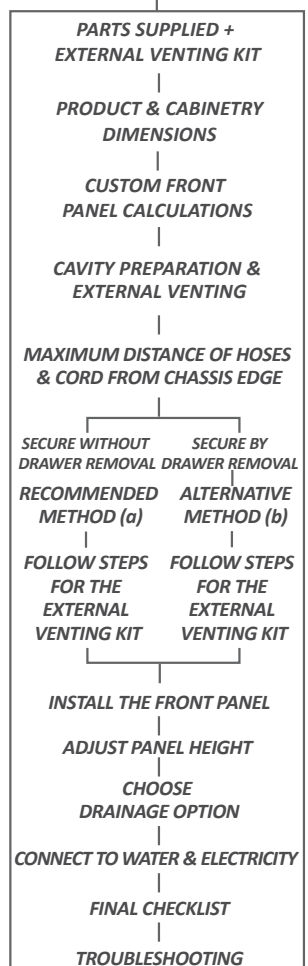
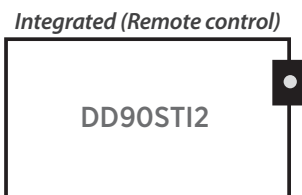
***Fisher & Paykel***

590202B 12.11

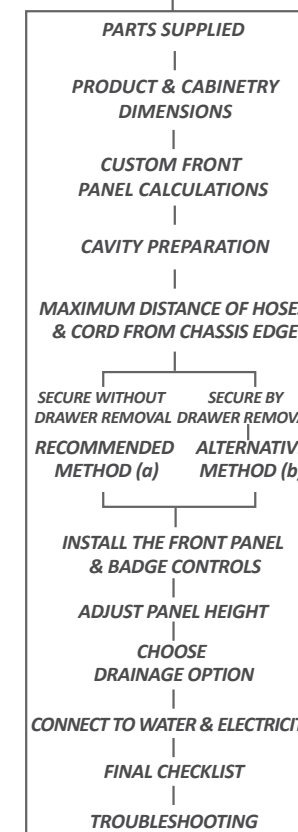
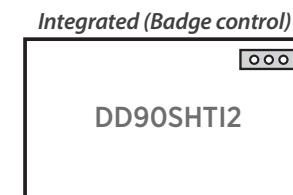
# 1 FOLLOW THE INSTALLATION SEQUENCE RELEVANT TO YOUR MODEL



ONLY AVAILABLE IN NZ AU



ONLY AVAILABLE IN GB IE



## 2a SAFETY AND WARNINGS - ALL MODELS

### ⚠ WARNING!

#### Electrical shock hazard

Before installing the dishwasher, remove the house fuse or open the circuit breaker.

This appliance must be earthed. In the event of a malfunction or breakdown, earthing will reduce the risk of electric shock by providing a path of least resistance for electric current. This appliance is equipped with a cord having an equipment-earthing conductor and an earthing plug. The plug must be plugged into an appropriate outlet that is installed and earthed in accordance with all local codes and ordinances. **WARNING-** Improper connection of the equipment-earthing conductor can result in a risk of electric shock. Check with a qualified electrician or service representative if you are in doubt as to whether the appliance is properly earthed.

Do not modify the power supply plug provided with the appliance - if it will not fit the outlet, have a proper outlet installed by a qualified electrician. Do not use an extension cord, adapter plug or multiple outlet box.

Failure to follow this advice may result in electrical shock or death.



### ⚠ WARNING!

#### Cut hazard

Take care - panel edges are sharp.

Failure to use caution could result in injury or cuts.



### ⚠ WARNING!

#### Very Heavy

Do not attempt to lift this product unassisted.

Lifting unassisted may cause serious injury.



**95 lb**  
**43 kg**

## IMPORTANT SAFETY INSTRUCTIONS!

- Installation of this dishwasher requires basic mechanical and electrical skills.
- Be sure to leave these Instructions with the Customer.
- Installation must comply with your local building and electricity regulations.
- At the completion of the dishwasher installation, the Installer must perform the Final Checklist.
- Remove all packaging materials supplied with the dishwasher.
- This dishwasher is manufactured for indoor use only.
- Ensure all water connections are turned OFF. It is the responsibility of the plumber and electrician to ensure that each installation complies with all Codes and Regulations.
- The dishwasher **MUST** be installed to allow for future removal from the enclosure if service is required.
- The switched power outlet must be outside the dishwasher cavity, so that it is accessible after installation.
- Care should be taken when the appliance is installed or removed to reduce the likelihood of damage to the power supply cord and hoses.
- If the dishwasher is to be relocated from one installation to another it must be kept upright to avoid damage from water spillage.
- Make sure only new hoses are used for connection (supplied with the dishwasher). Old hoses should not be reused.
- Failure to install the dishwasher correctly could invalidate any warranty or liability claims.
- If the product is installed in a motor vehicle, boat or similar mobile facility, you must bring the vehicle, boat or mobile facility containing the product to the service shop at your expense or pay the service technician's travel to the location of the product.

SAVE THESE INSTRUCTIONS

## 2b ADDITIONAL SAFETY AND WARNINGS - INTEGRATED MODELS ONLY

### ⚠ WARNING!

Fitting integrated front panels requires access to electrical service areas.  
This work must be performed and certified by a qualified electrical service technician.

#### Electrical Shock Hazard

**WARNING:** To reduce the risk of electrical shock, fire, or injury to persons, the installer must ensure that the dishwasher is completely enclosed at the time of installation.

Before fitting the front panel and connecting the integrated badges (where present), the installer must ensure that the dishwasher is disconnected from the power supply.

After installing the front panel, the installer must ensure that the following components are electrically earthed: the panel bracket, the integrated badge (where present) and any custom metal component (e.g. handle) that extends past the rubber seal.

Failure to follow these warnings may result in electrical shock, injury or fire.



## IMPORTANT SAFETY INSTRUCTIONS!

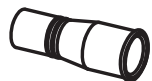
- Read these instructions completely and carefully.
- Ensure the product is not plugged in.
- Installation of custom panels requires basic mechanical and electrical skills.
- Installation must comply with your local building and electricity regulations.
- Failure to install the custom panels correctly could invalidate any warranty or liability claims.

SAVE THESE INSTRUCTIONS

### 3a PARTS SUPPLIED - ALL MODELS



Drain hose support (1)



Drain hose joiner (1)



Wire clip (1)  
(for securing  
Drain hose joiner)



Side mounting  
bracket kit  
(A and B) (2)  
**OPTIONAL**



Clamp (1)  
(for securing  
Drain hose joiner)



Phillips  
16 mm  
screws (7)



38 mm  
bottom  
fixing screws  
& metal  
washers (2)



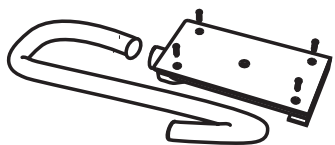
Rubber  
washer for  
inlet hose (1)  
(comes  
already  
fitted)



Moisture  
protection  
tape (1)  
(to prevent  
moisture  
damage)

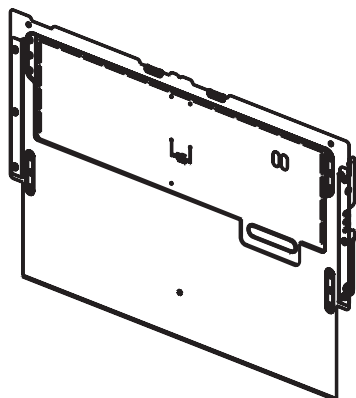
If the Drain hose supplied is not long enough to reach your services, you must use a Drain Hose Extension Kit P/N 525798 which will extend the drain hose by 3.6m. The kit is available from the nearest Fisher & Paykel Authorised Service Centre or through our local website listed at the end of this document.

### 3b) ADDITIONAL PARTS SUPPLIED WITH INTEGRATED MODELS



External Venting kit (1)

● *supplied with Integrated models with remote (NZ AU) only*



Panel bracket (1)  
*(attached to product)*



Panel mounting screws (14)

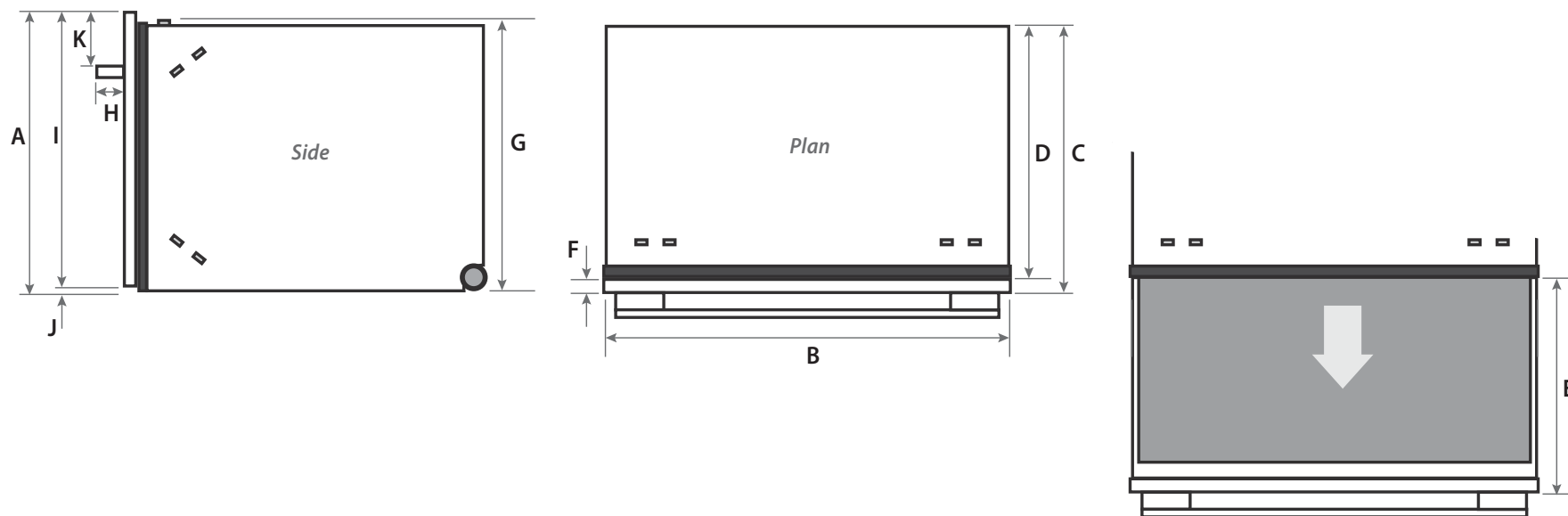


Integrated rectangular badge (1)  
*(Satin chrome supplied)*



*supplied with Integrated models with badge (GB IE) only*

## ④ PRODUCT DIMENSIONS



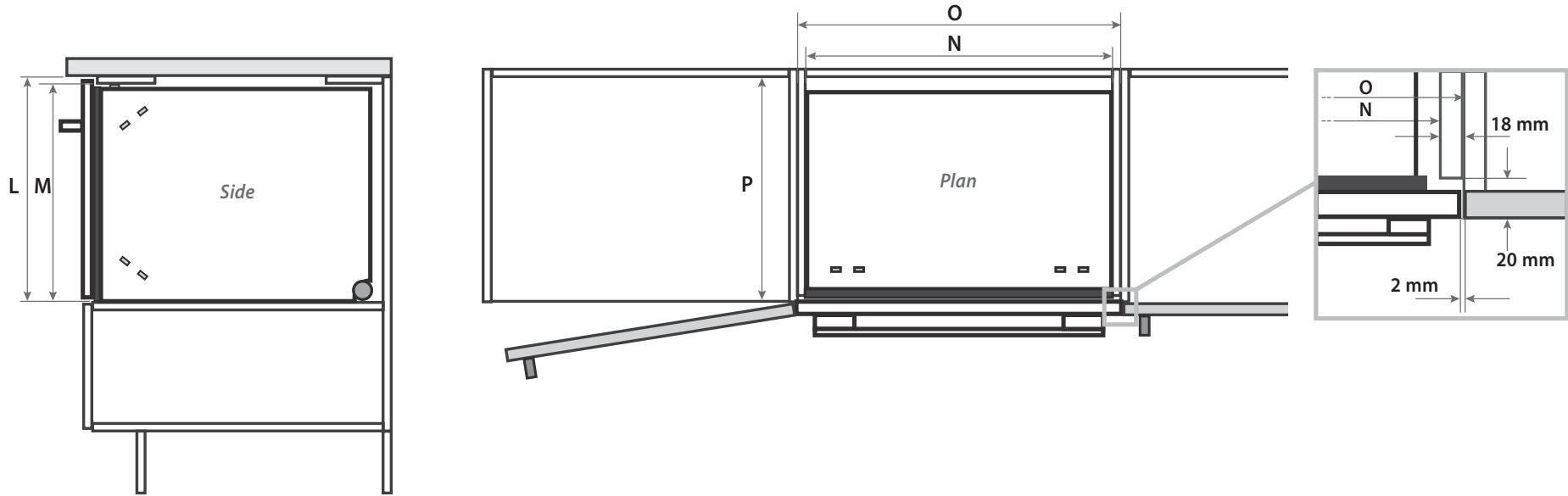
### Product dimensions (mm)

	Designer	Integrated Remote control	Integrated Badge control
A overall height <sup>1</sup> of product (incl. front panel height)	478	478	478
B overall width of product	895	min. 855	min. 855
C overall depth of product (excl. handle)	571	571 <sup>2</sup>	571 <sup>2</sup>
D depth of chassis (to back of front panel)	553	553	553
E maximum extension of drawer (excl. handle)	545	545 <sup>2</sup>	545 <sup>2</sup>
F depth of front panel (excl. handle)	18	16-20	16-20
G height <sup>1</sup> of chassis	458	458	458
H depth of handle	41	n/a	n/a
I height of front panel	470	476 <sup>3</sup>	470
J height of ventilation gap below front panel	8	min. 2	min. 8
K height from top of handle to top of front panel	64	n/a	n/a

<sup>1</sup>includes 2 mm high bracket slots      <sup>2</sup>Assuming front panel thickness of 18 mm

<sup>3</sup>Recommended for a 2 mm ventilation gap below front panel, if cavity height is 480 mm

# 5 CABINETS DIMENSIONS

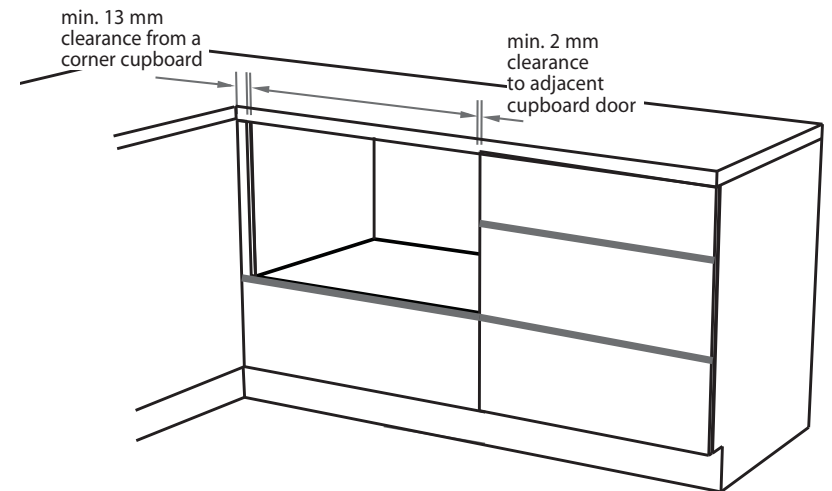


Cabinets dimensions mm

	Designer	Integrated Remote control	Integrated Badge control
L	height of cavity (from support surface to underside of benchtop)	480	480*
M	inside height of cavity	460	min. 460
N	inside width of cavity	864	864
O	overall width of cabinetry	900	900
P	inside depth of cavity	min. 560	min. 560

\*Recommended

Minimum clearances from adjacent cabinetry



## FRONT PANEL SPECIFICATIONS

- 16 -20 mm panel thickness
- Adequately sealed to withstand moisture (50°C @ 80% RH)
- Maximum weight of panel: 9 kg

The following calculations assume the top of the panel is aligned with the top of the adjacent cabinetry:

## WIDTH OF THE PANEL

Measure **A** (the width between adjacent door/drawer fronts) and write it in the first box below, then complete the equation.

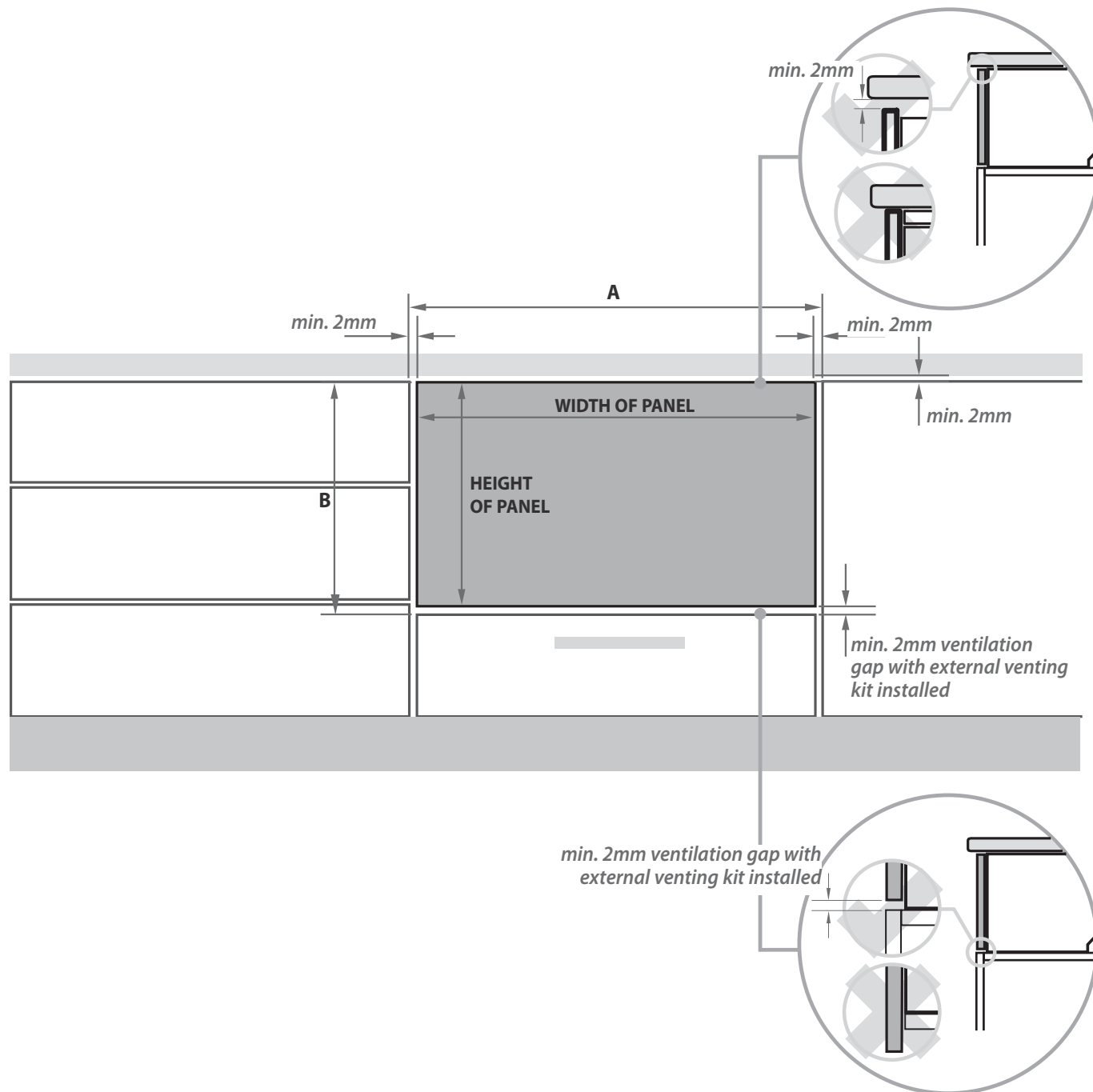
$$\begin{array}{c} \text{A} \\ \boxed{\phantom{000}} \end{array} - 2 \times \begin{array}{c} \text{clearance to} \\ \text{adjacent cabinet} \\ \text{front (min. 2 mm)} \\ \boxed{\phantom{000}} \end{array} = \begin{array}{c} \text{WIDTH OF PANEL} \\ \text{(min. 855 mm)} \\ \boxed{\phantom{000}} \end{array}$$

## HEIGHT OF THE PANEL

Measure **B** and write it in the first box below, then complete the equation.

$$\begin{array}{c} \text{B} \\ \boxed{\phantom{000}} \end{array} - \begin{array}{c} \text{ventilation gap} \\ \text{(min. 2 mm)} \\ \boxed{\phantom{000}} \end{array} = \begin{array}{c} \text{HEIGHT OF PANEL} \\ \boxed{\phantom{000}} \end{array}$$

Note: when the top of the dishwasher has to be lower than the adjacent cabinetry, the panel can be increased in height.





**FRONT PANEL SPECIFICATIONS**

- 16 -20 mm panel thickness
- Adequately sealed to withstand moisture (50°C @ 80% RH)
- Maximum weight of panel: 9 kg

The following calculations assume the top of the panel is aligned with the top of the adjacent cabinetry:

**WIDTH OF THE PANEL**

Measure **A** (the width between adjacent door/drawer fronts) and write it in the first box below, then complete the equation.

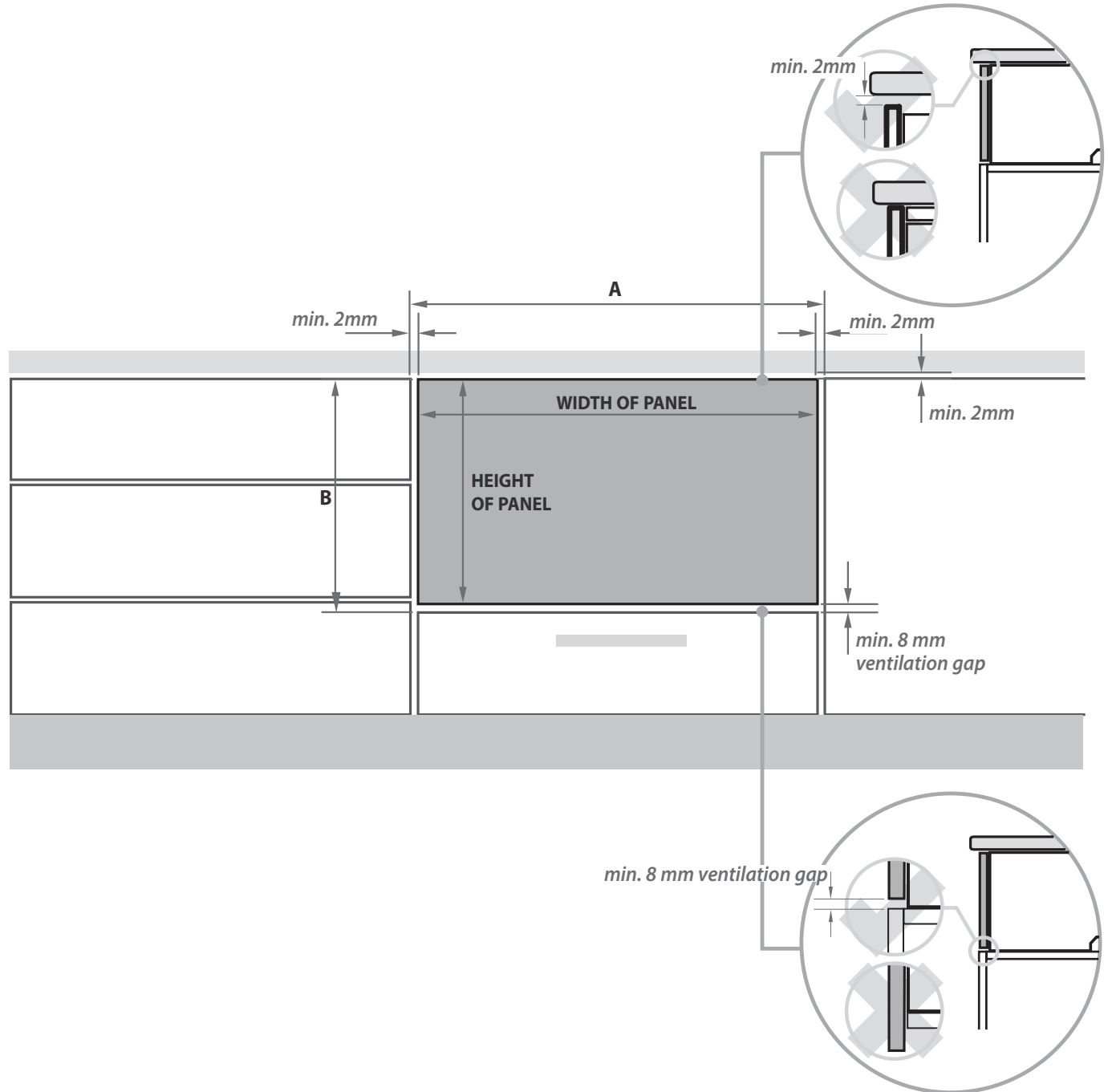
$$\begin{array}{c}
 \text{A} \\
 \boxed{\phantom{000}}
 \end{array}
 - 2 \times \begin{array}{c} \text{clearance to} \\ \text{adjacent cabinet} \\ \text{front (min. 2 mm)} \\ \boxed{\phantom{000}} \end{array}
 = \begin{array}{c} \text{WIDTH OF PANEL} \\ \text{(min. 855 mm)} \\ \boxed{\phantom{000}} \end{array}$$

**HEIGHT OF THE PANEL**

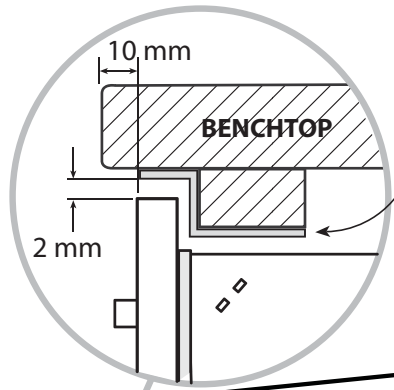
Measure **B** and write it in the first box below, then complete the equation.

$$\begin{array}{c} \text{B} \\ \boxed{\phantom{000}} \end{array}
 - \begin{array}{c} \text{ventilation gap} \\ \text{(min. 8 mm)} \\ \boxed{\phantom{000}} \end{array}
 = \begin{array}{c} \text{HEIGHT OF PANEL} \\ \boxed{\phantom{000}} \end{array}$$

Note: when the top of the dishwasher has to be lower than the adjacent cabinetry, the panel can be increased in height.



# 7a) CAVITY PREPARATION



Moisture protection tape must be applied.

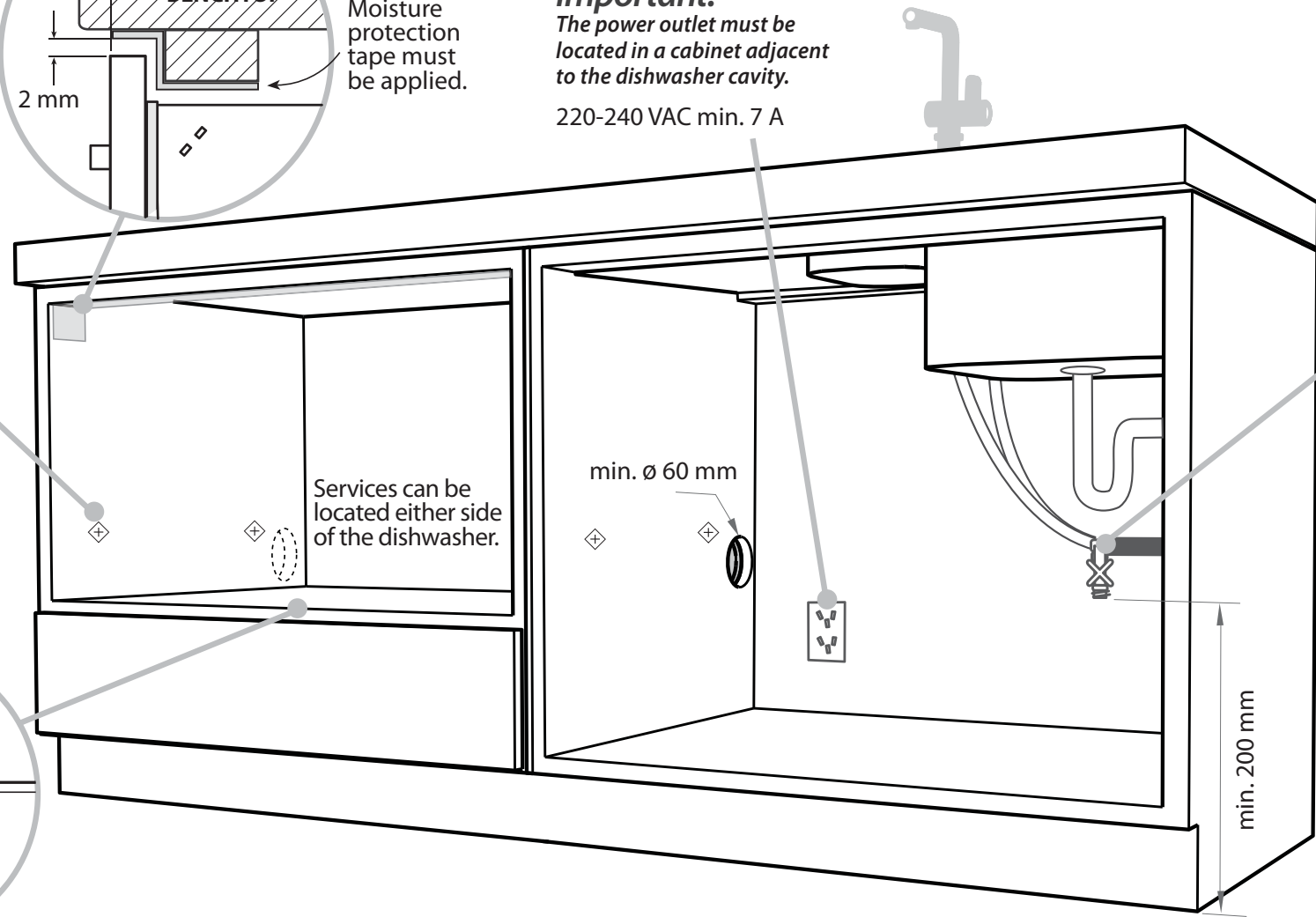
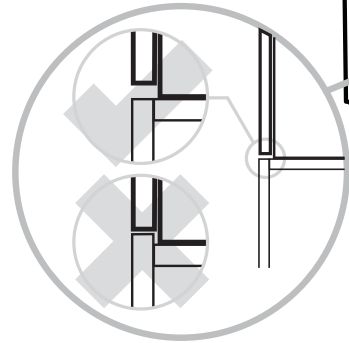
**Important!**  
The power outlet must be located in a cabinet adjacent to the dishwasher cavity.

220-240 VAC min. 7 A

These marks indicate formed bracket screw locations, if securing by drawer removal.

Services can be located either side of the dishwasher.

**Important!**  
Adjacent cabinetry must not extend above cavity base

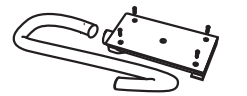
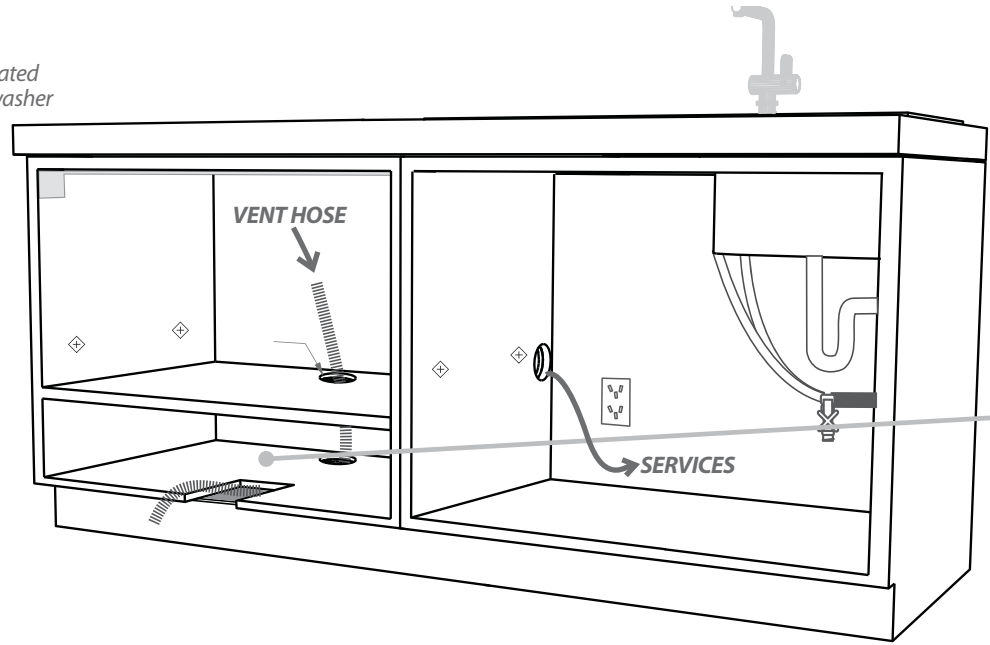


**Water Connection**  
Recommended COLD (Maximum 60°C).  
3/4" BSP (GB20) to suit flat washer.

**Water Pressure**  
Water softener models  
Max. 1 MPa (145 psi)  
Min. 0.1 MPa (14.5 psi)  
Models without water softener  
Max. 1 MPa (145 psi)  
Min. 0.03 MPa (4.3 psi)

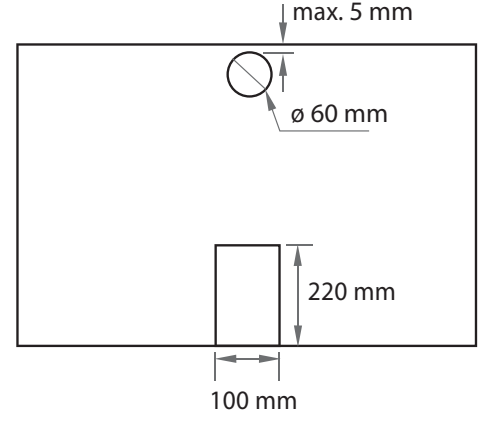
**7b** • INTEGRATED MODELS WITH REMOTE (NZ AU) ONLY - PREPARATION FOR EXTERNAL VENTING THROUGH SAME CABINET

Services can be located either side of dishwasher



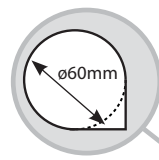
External Venting kit (1)

Shelf cutouts

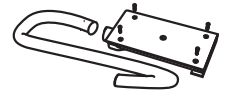
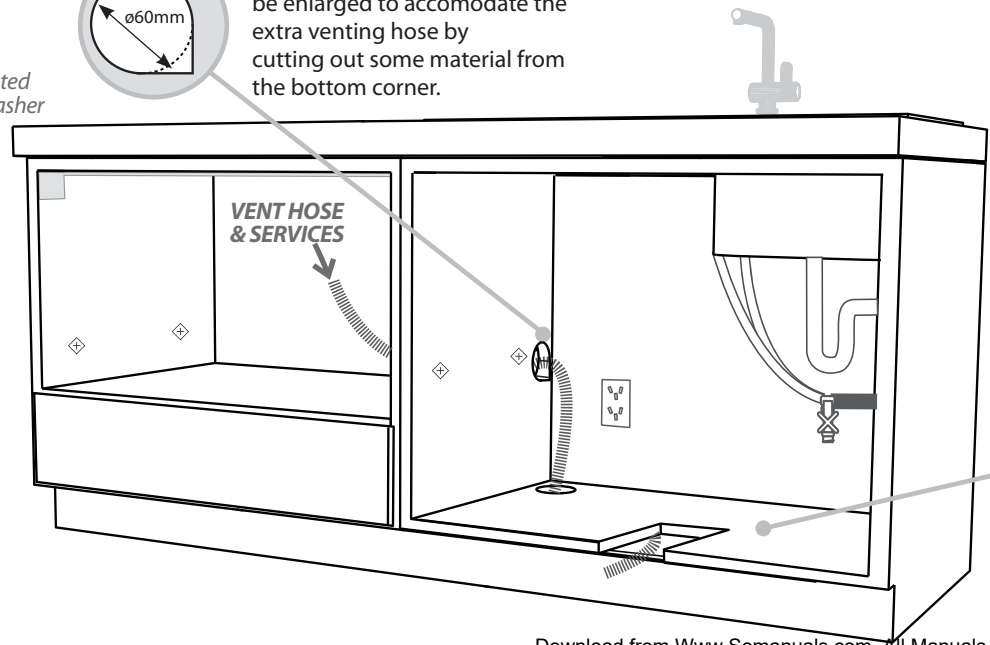


**7c** • INTEGRATED MODELS WITH REMOTE (NZ AU) ONLY - PREPARATION FOR EXTERNAL VENTING THROUGH ADJACENT CABINET

Services can be located either side of dishwasher

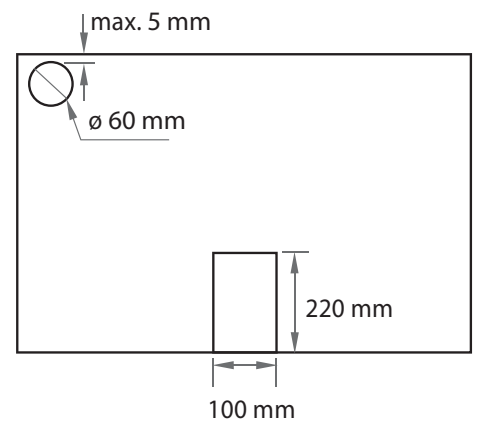


The ø60 mm services hole should be enlarged to accommodate the extra venting hose by cutting out some material from the bottom corner.

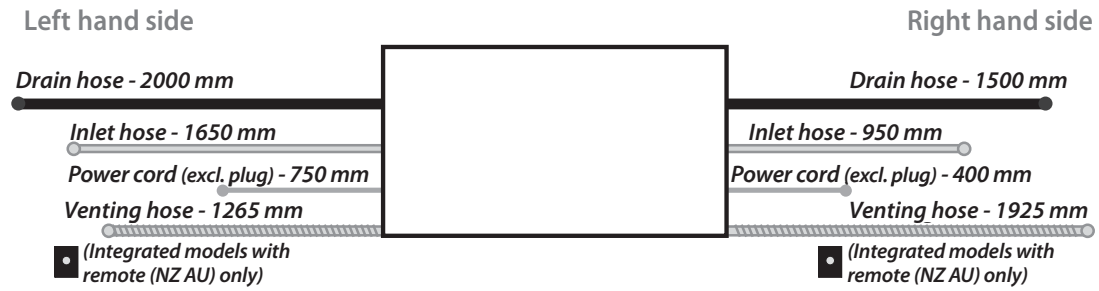


External Venting kit (1)

Shelf cutouts



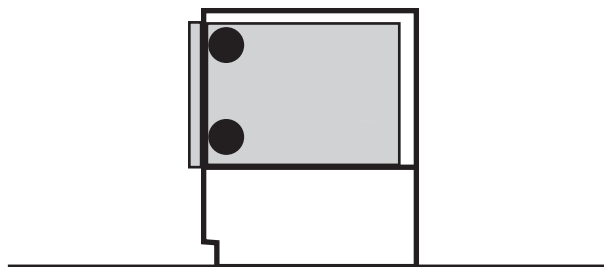
## ⑧ MAXIMUM DISTANCE OF HOSES & CORD FROM CHASSIS EDGE



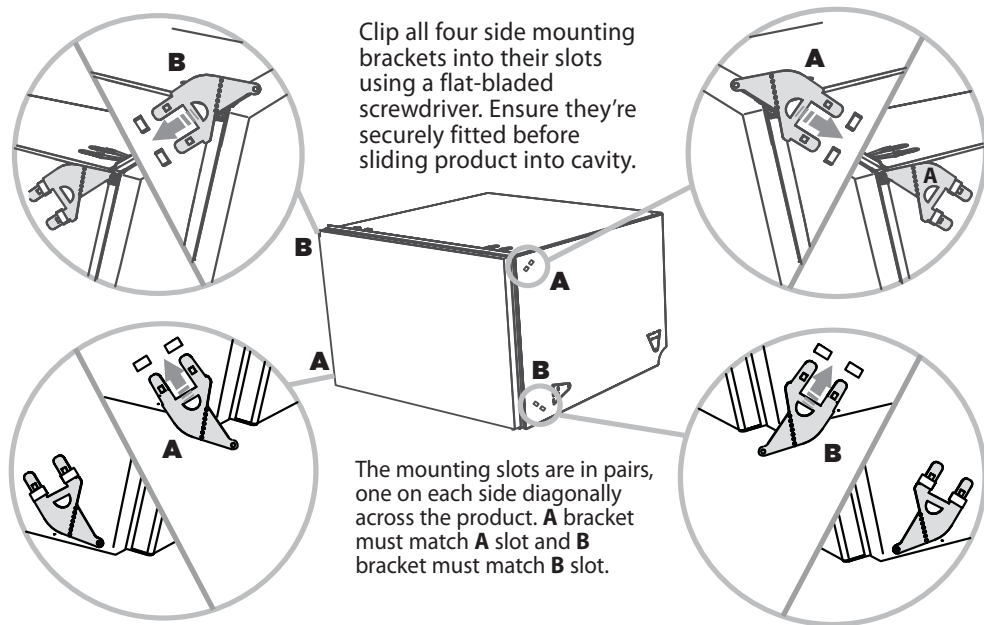


# NOW CHOOSE WHICH INSTALLATION METHOD (a) or (b) IS MORE SUITABLE FOR YOUR CABINETRY...

RECOMMENDED METHOD (a) - SECURE WITHOUT DRAWER REMOVAL (FRAMELESS CABINETRY ONLY)

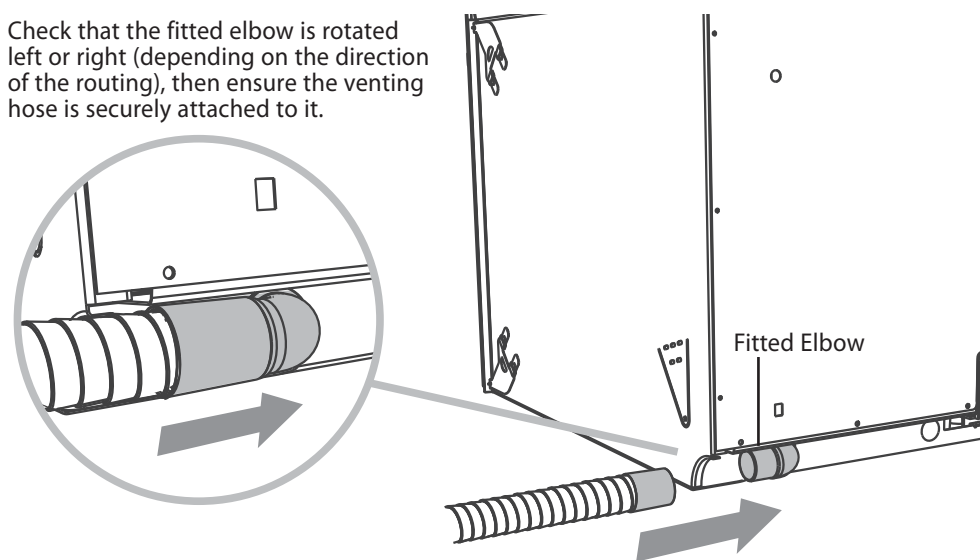


## 9a) ATTACH SIDE MOUNTING BRACKETS

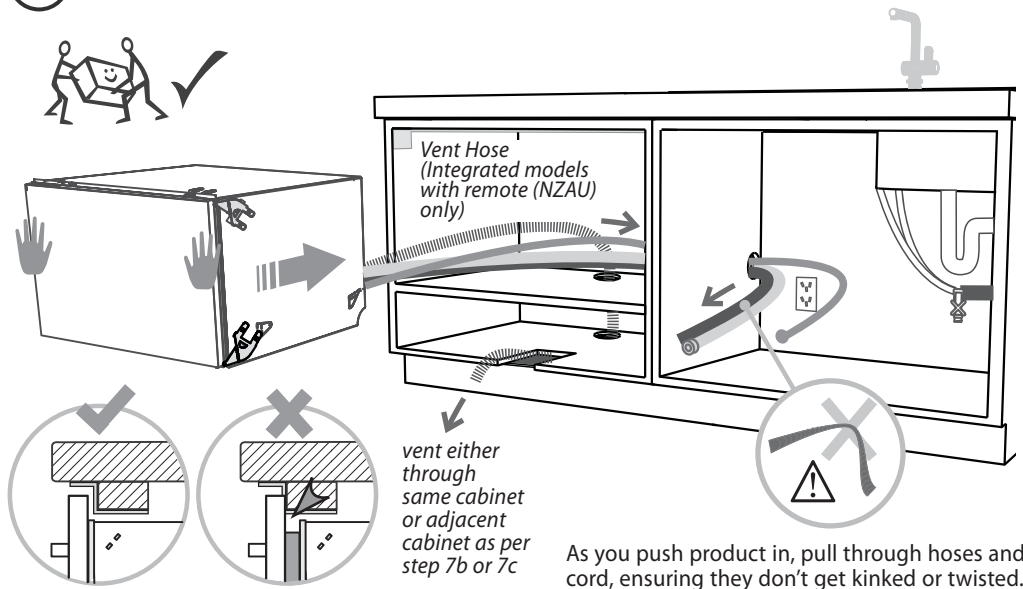


## 10a) ■ INTEGRATED MODELS WITH REMOTE (NZ AU) ONLY - ATTACH VENTING HOSE

Check that the fitted elbow is rotated left or right (depending on the direction of the routing), then ensure the venting hose is securely attached to it.



**11a) PULL THROUGH HOSES & MOVE INTO THE CAVITY**



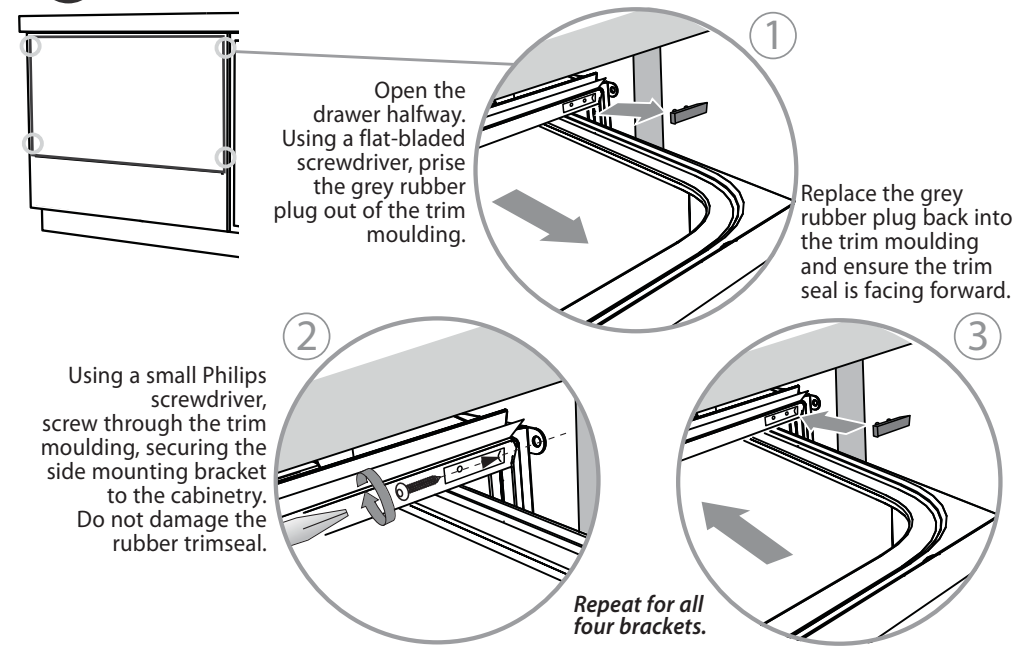
vent either through same cabinet or adjacent cabinet as per step 7b or 7c

As you push product in, pull through hoses and cord, ensuring they don't get kinked or twisted.

**Important!**  
Ensure correct chassis position. In order for product to function, cabinetry must not block the drawer front from closing hard against the chassis.

**Important!**  
If product cannot be pushed in far enough, pull out again and rearrange hoses and cord. Do not use excessive force, as doing so may squash the hoses and lead to incorrect operation.

**12a) SECURE THE DRAWER**



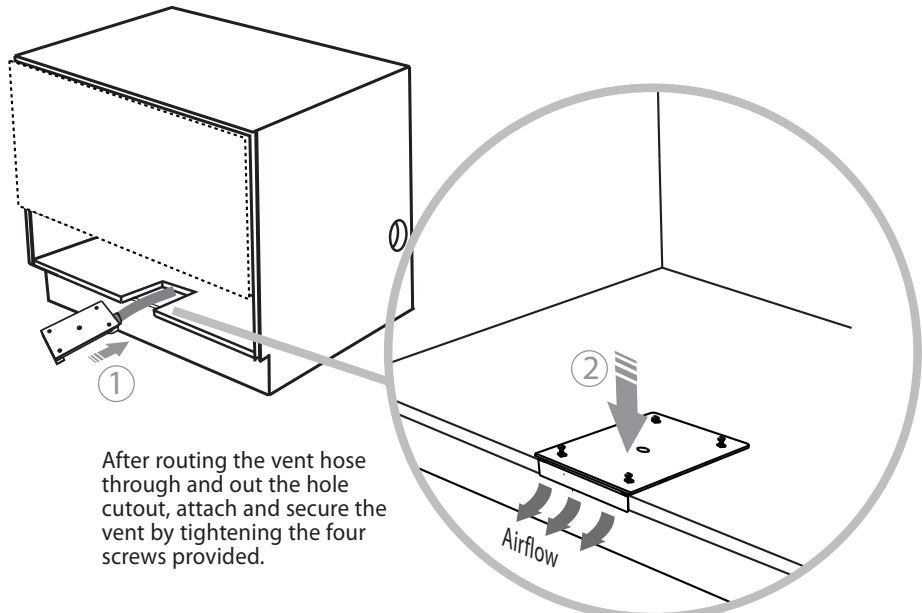
Open the drawer halfway. Using a flat-bladed screwdriver, prise the grey rubber plug out of the trim moulding.

Replace the grey rubber plug back into the trim moulding and ensure the trim seal is facing forward.

Using a small Philips screwdriver, screw through the trim moulding, securing the side mounting bracket to the cabinetry. Do not damage the rubber trimseal.

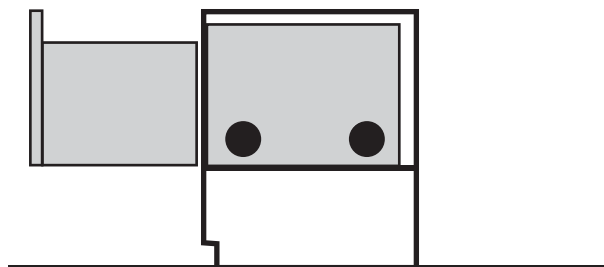
Repeat for all four brackets.

**13a) INTEGRATED MODELS WITH REMOTE (NZ AU) ONLY - SECURE THE EXTERNAL VENT**



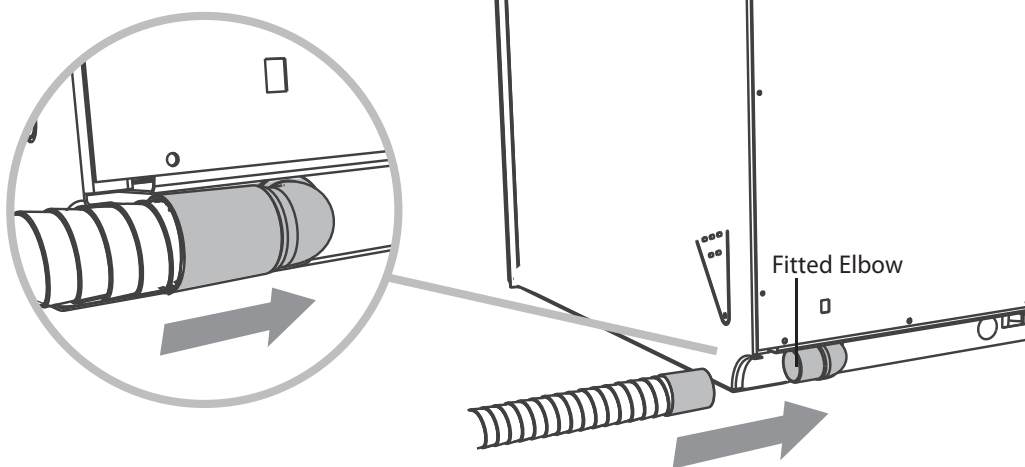
After routing the vent hose through and out the hole cutout, attach and secure the vent by tightening the four screws provided.

## ALTERNATIVE METHOD (b) - SECURE BY DRAWER REMOVAL

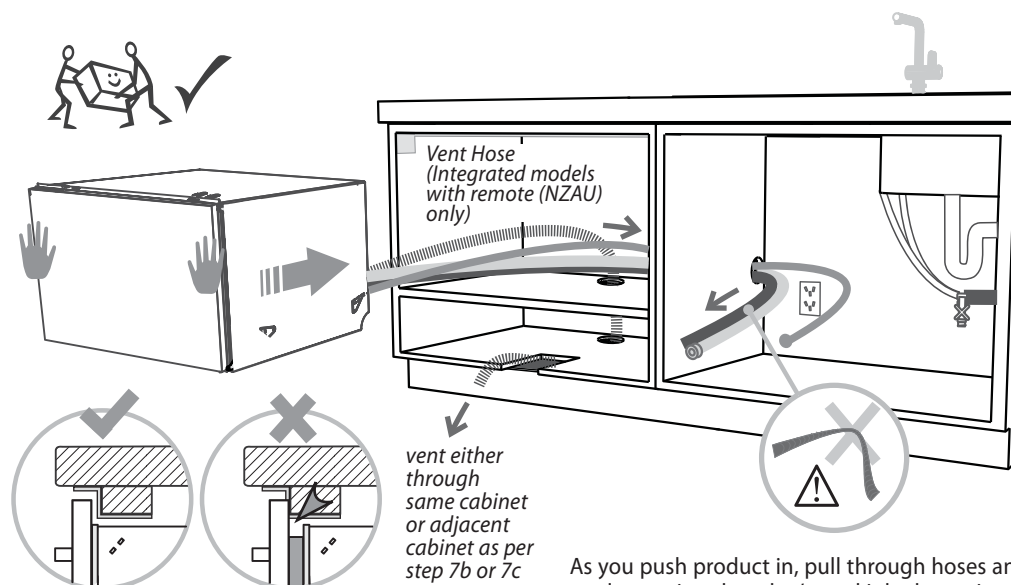


### 9b ■ INTEGRATED MODELS WITH REMOTE (NZ AU) ONLY - ATTACH VENTING HOSE

Check that the fitted elbow is rotated left or right (depending on the direction of the routing), then ensure the venting hose is securely attached to it.



### 10b ■ PULL THROUGH HOSES & MOVE INTO THE CAVITY



#### Important!

Ensure correct chassis position. In order for product to function, cabinetry must not block the drawer front from closing hard against the chassis.

vent either through same cabinet or adjacent cabinet as per step 7b or 7c

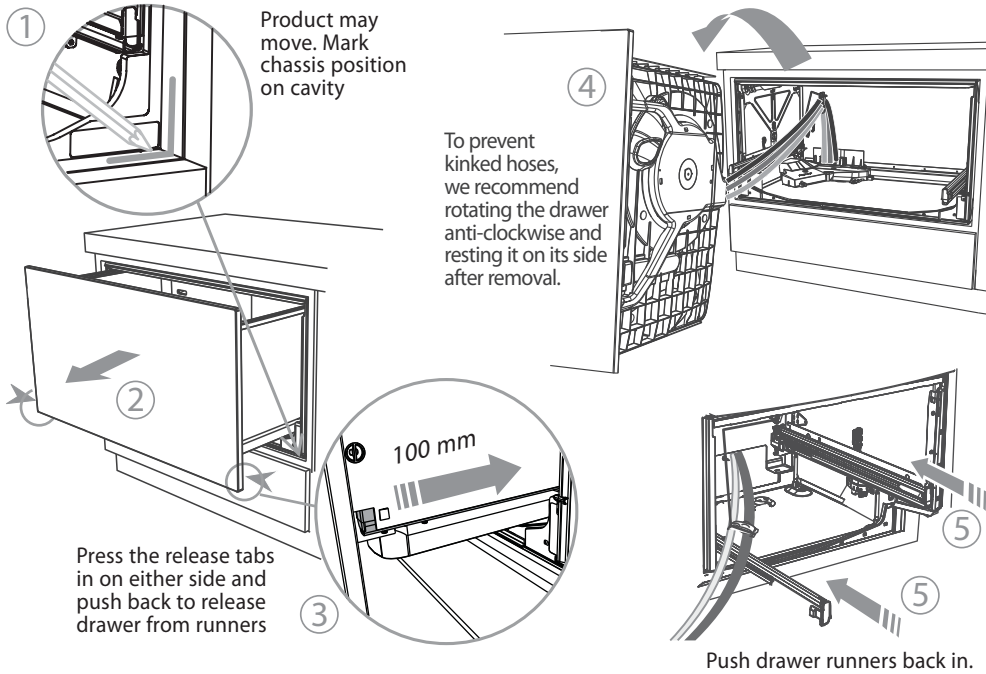
As you push product in, pull through hoses and cord, ensuring they don't get kinked or twisted.

#### Important!

If product cannot be pushed in far enough, pull out again and rearrange hoses and cord. Do not use excessive force, as doing so may squash the hoses and lead to incorrect operation.

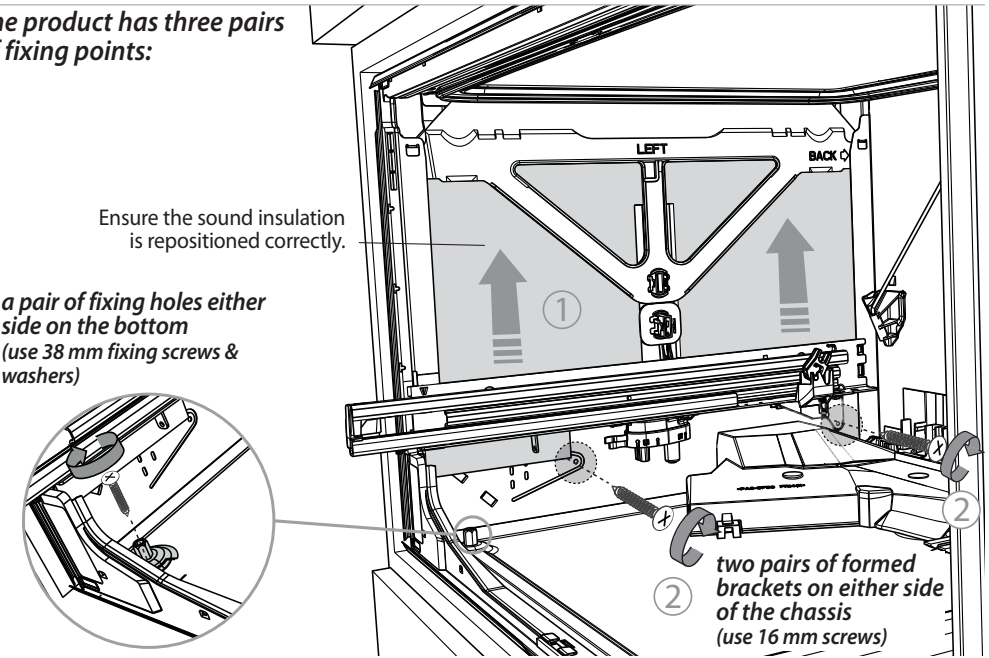


### 11b REMOVE THE DRAWER

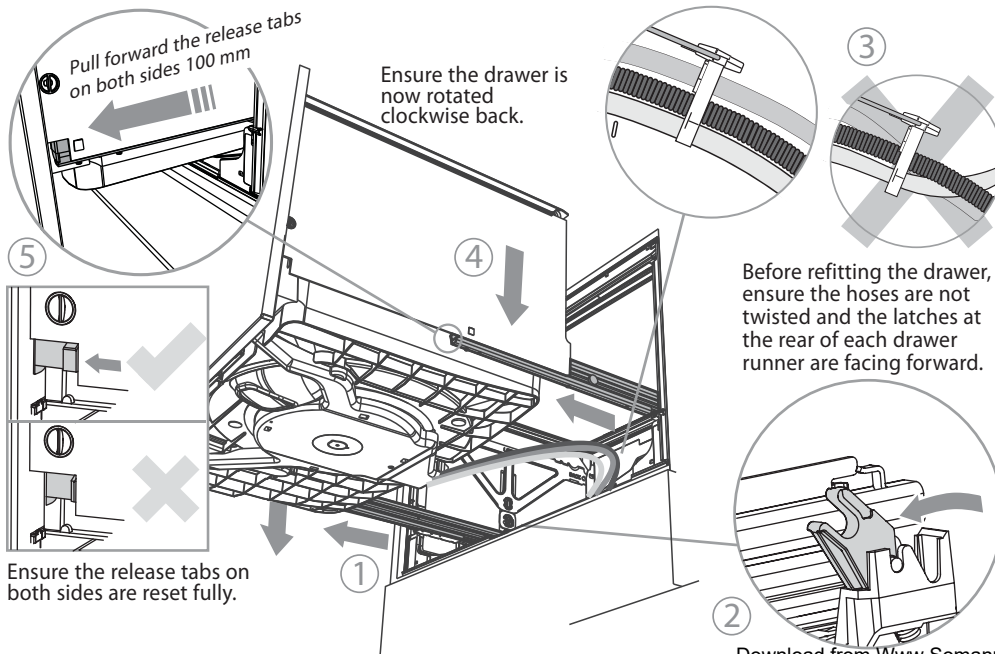


### 12b SECURE THE DRAWER TO THE CABINETRY

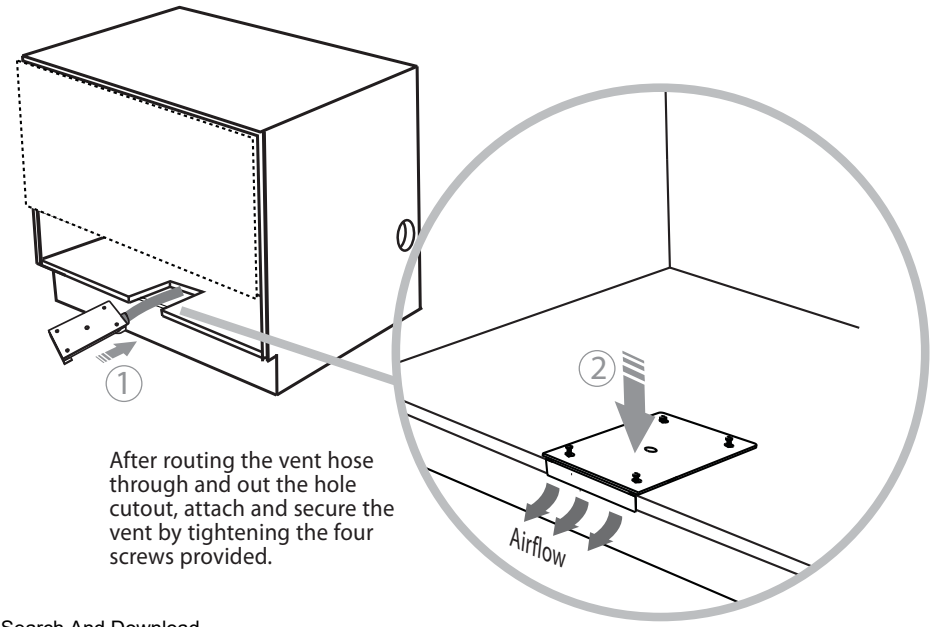
The product has three pairs of fixing points:



### 13b REFIT THE DRAWER ONTO THE RUNNERS

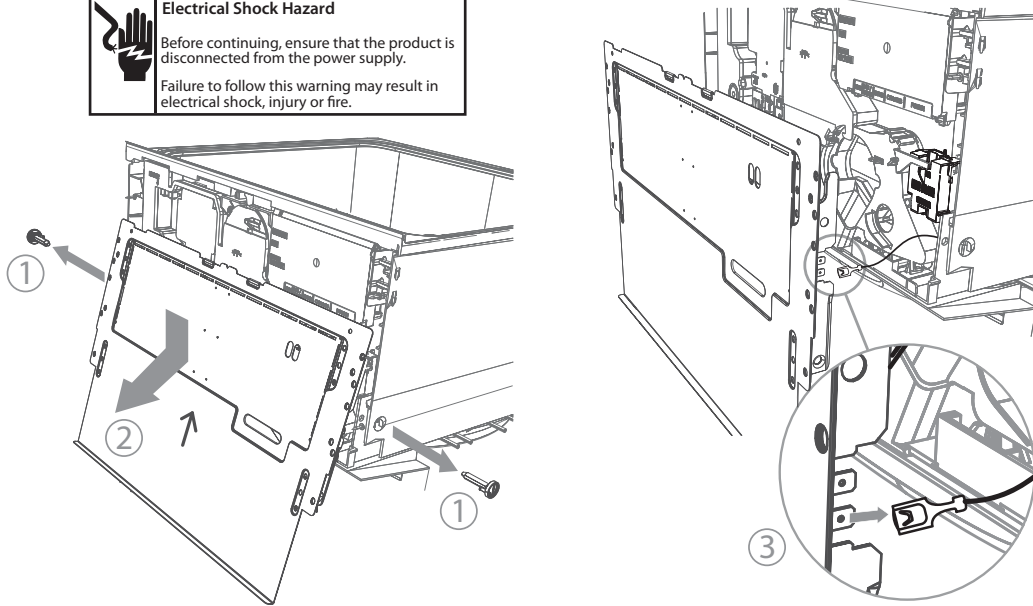


### 14b INTEGRATED MODELS WITH REMOTE (NZ AU) ONLY - SECURE THE EXTERNAL VENT



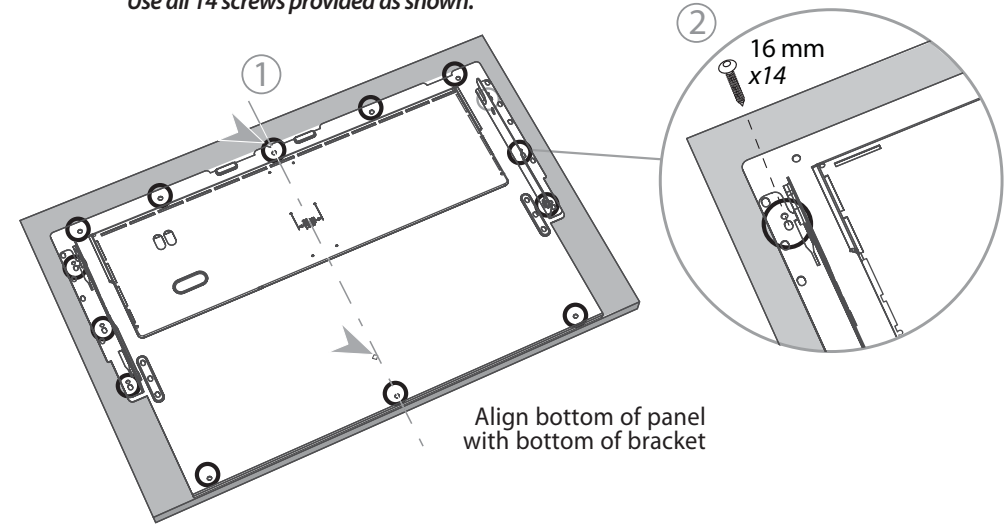
**15a) REMOVE BRACKET FROM PRODUCT**

**⚠ WARNING!**  
**Electrical Shock Hazard**  
Before continuing, ensure that the product is disconnected from the power supply.  
Failure to follow this warning may result in electrical shock, injury or fire.

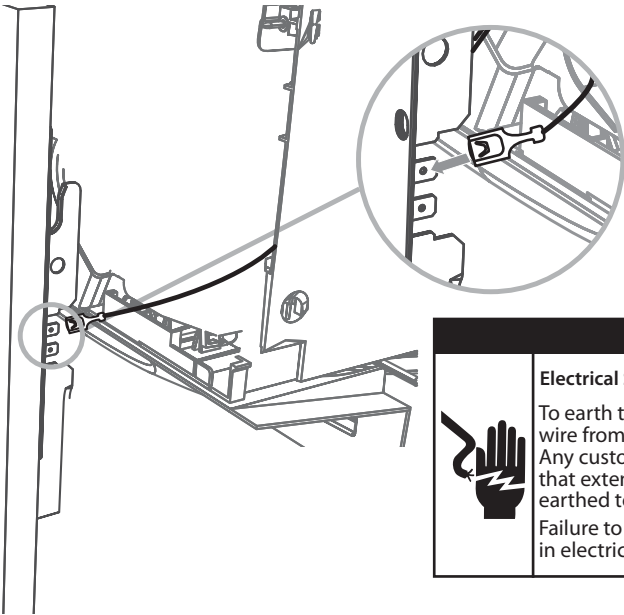


**16a) ATTACH PANEL TO PANEL BRACKET**

**Important!**  
Use all 14 screws provided as shown.

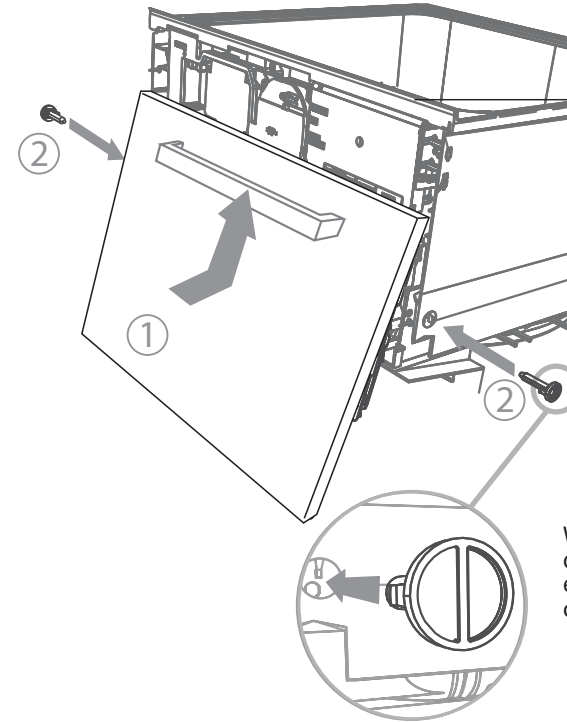


**17a EARTH THE PANEL**



<b>⚠ WARNING!</b>	
	<p><b>Electrical Shock Hazard</b></p> <p>To earth the panel bracket, connect the earth wire from the product to one of the tabs. Any custom metal component (e.g. handle) that extends past the rubber seal must be earthed too.</p> <p>Failure to follow these warnings may result in electrical shock, injury or fire.</p>

**18a ATTACH PANEL TO PRODUCT**

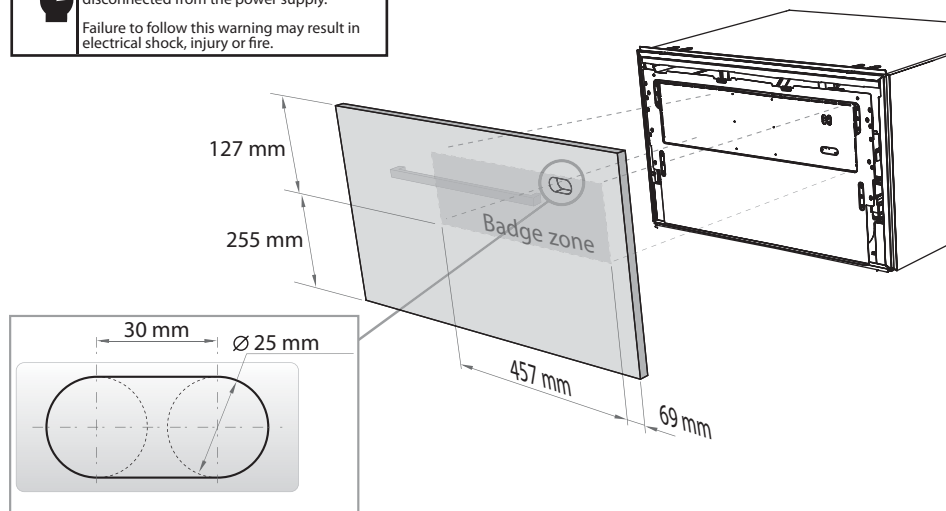


**Important!**  
Ensure the rubber seal between the drawer and panel is kept in place.

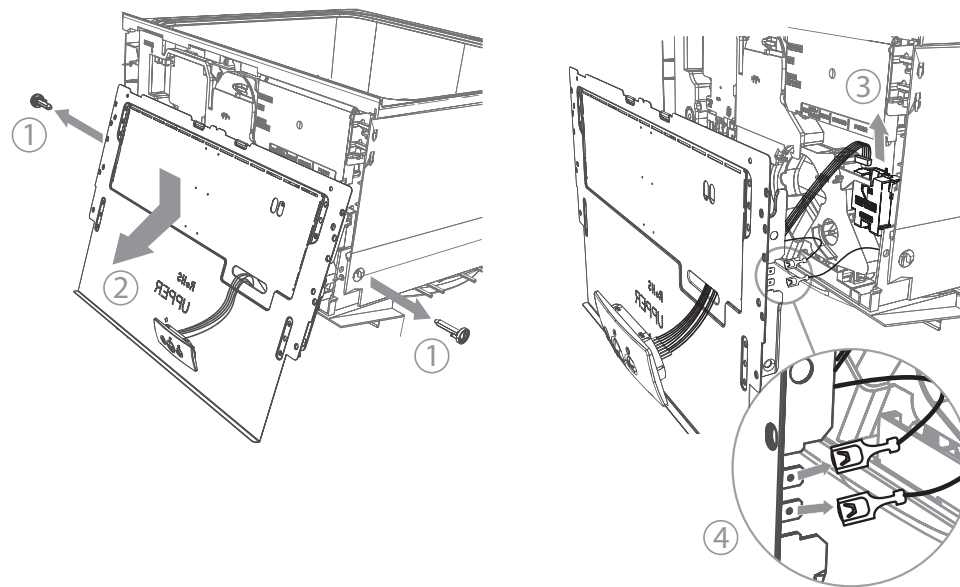
When refitting the door pins, ensure they are orientated as shown.

**15b) DETERMINE BADGE CUTOUT LOCATION**

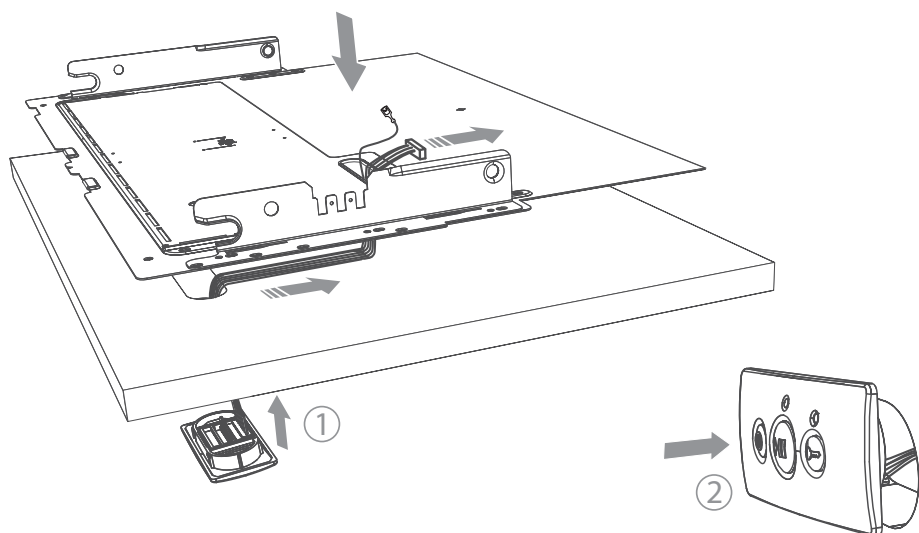
**WARNING!**  
**Electrical Shock Hazard**  
 Before continuing, ensure that the product is disconnected from the power supply.  
 Failure to follow this warning may result in electrical shock, injury or fire.



**16b) REMOVE BRACKET & DISCONNECT BADGE**

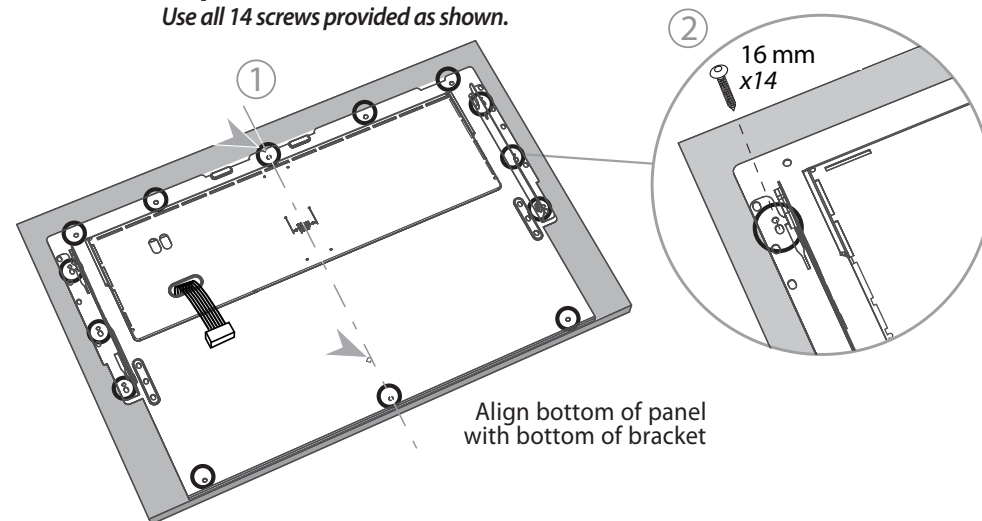


**17b) ROUTE BADGE WIRING THROUGH PANEL**

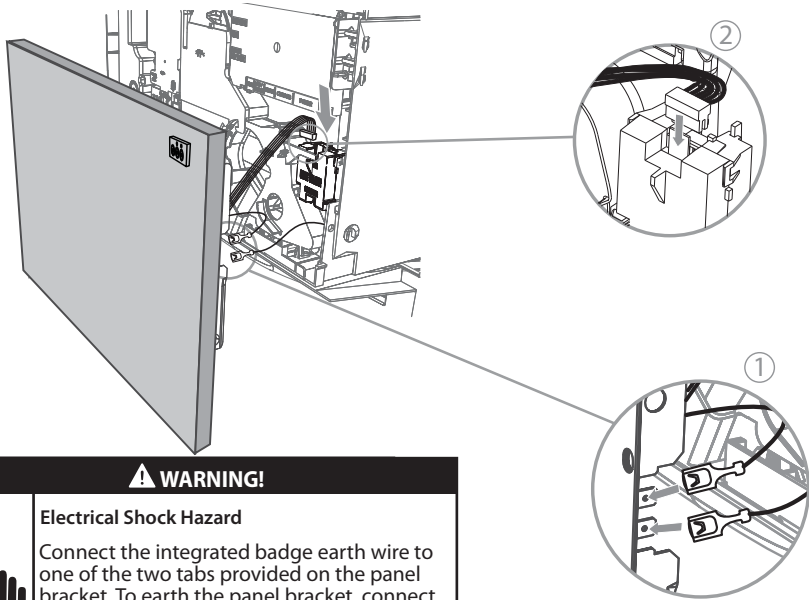


**18b) ATTACH PANEL TO PANEL BRACKET**

**Important!**  
 Use all 14 screws provided as shown.



**19b) REATTACH BADGE & EARTH THE PANEL**



**⚠ WARNING!**

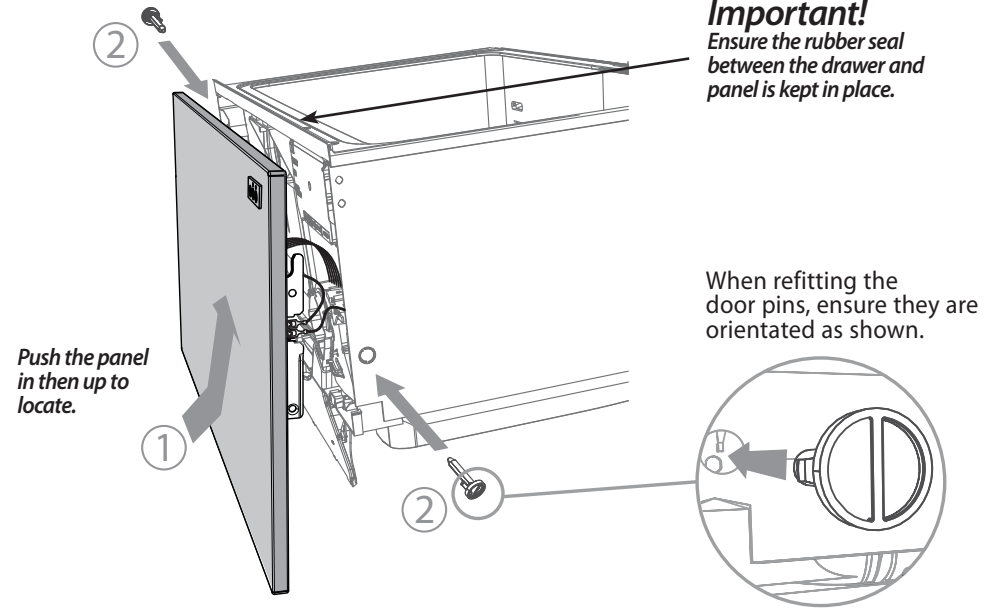
**Electrical Shock Hazard**

Connect the integrated badge earth wire to one of the two tabs provided on the panel bracket. To earth the panel bracket, connect the earth wire from the product to the other tab. Any custom metal component (e.g. handle) that extends past the rubber seal must be earthed too.

Failure to follow these warnings may result in electrical shock, injury or fire.



**20b) ATTACH PANEL TO PRODUCT**

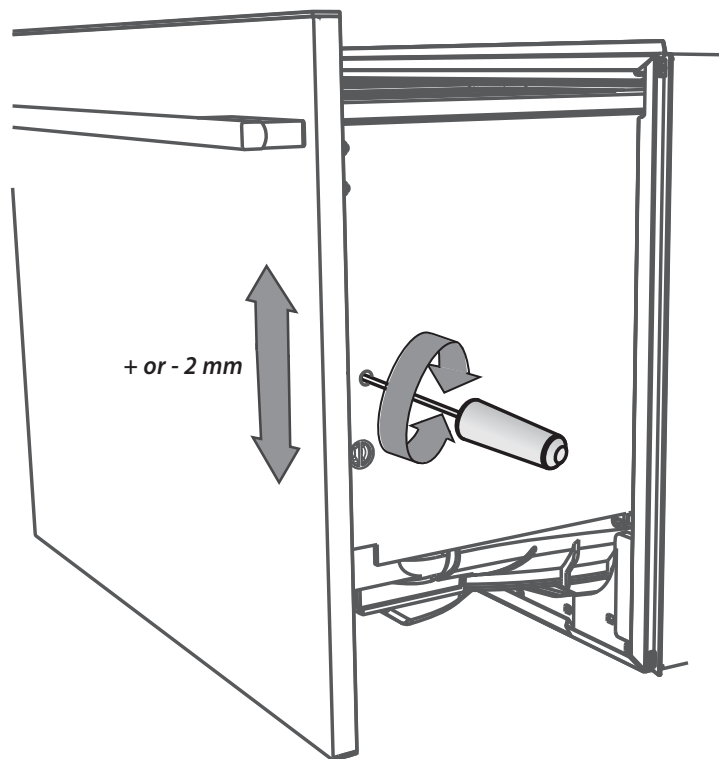


Push the panel in then up to locate.

**Important!**  
Ensure the rubber seal between the drawer and panel is kept in place.

When refitting the door pins, ensure they are orientated as shown.

## 21 ADJUST PANEL HEIGHT TO ALIGN THE CABINERY GAPS



Insert an appropriately sized Philips screwdriver into the hole above the door pin and rotate the panel up or down to align the gaps in your cabinetry.

Repeat on the other side if necessary.

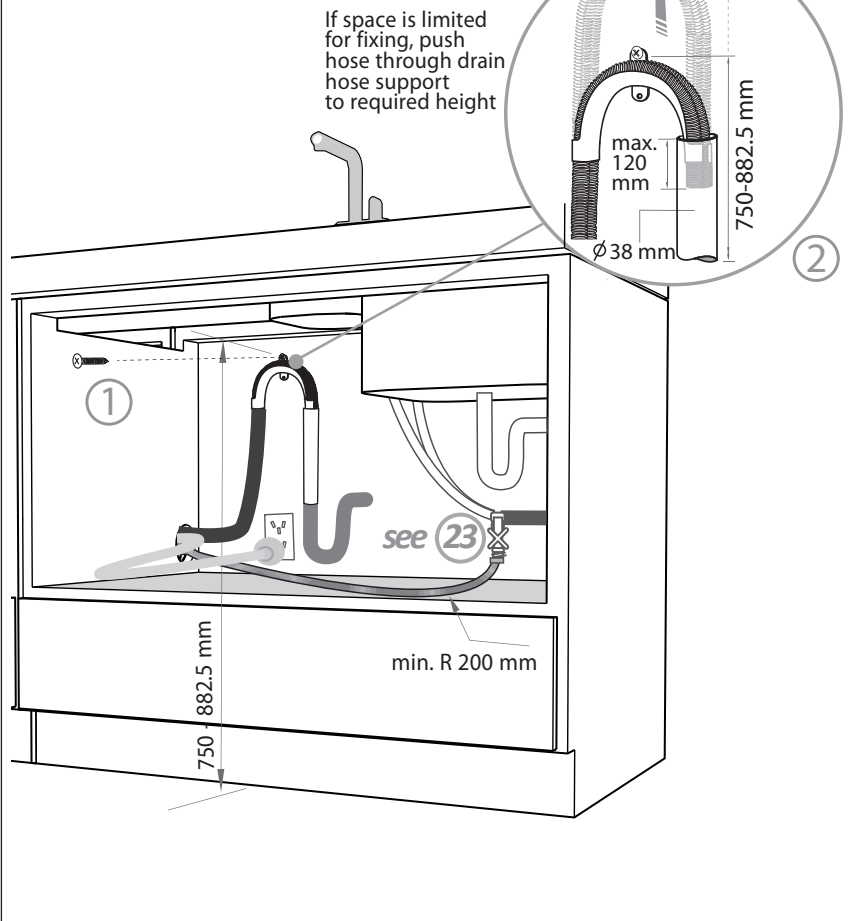
The panel has a maximum travel of 2 mm up or down.

### **Important!**

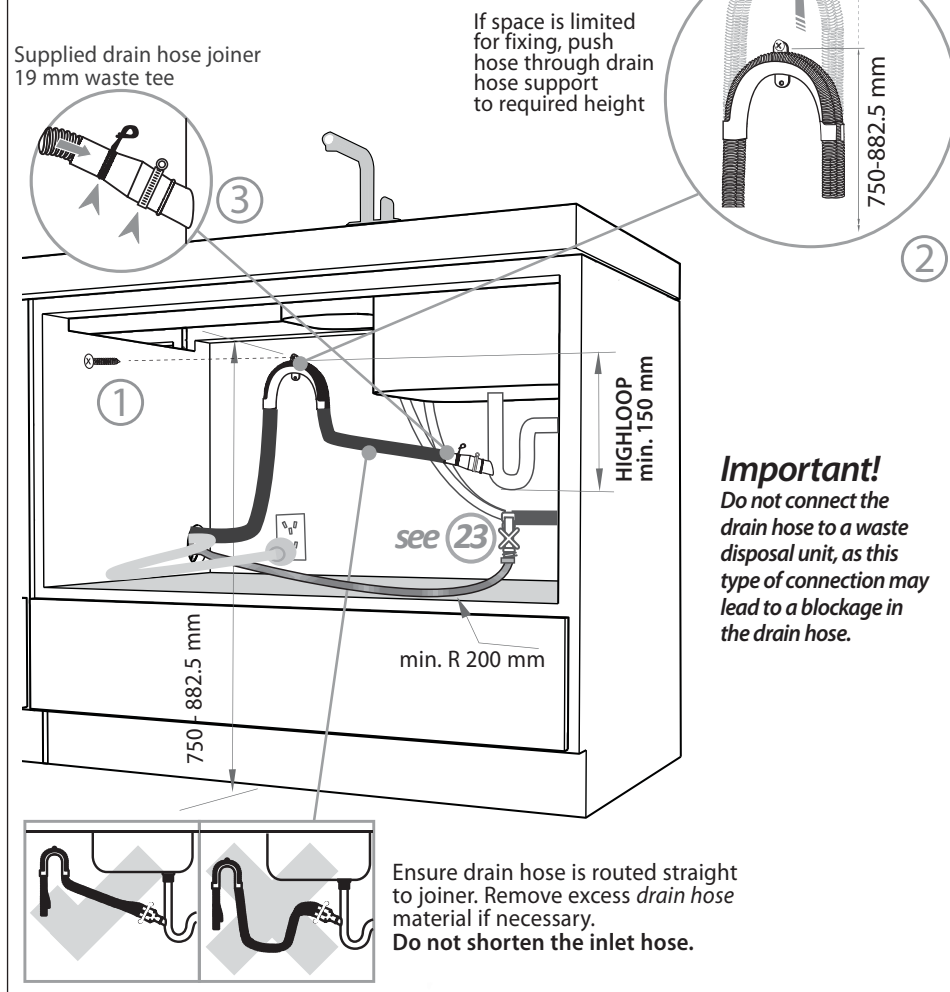
■ **Integrated models with remote control:**  
Ensure that you maintain a minimum of 2 mm ventilation gap below the panel.

Designer models and  **Integrated models with badge:**  
Ensure that you maintain a minimum of 8 mm ventilation gap below the panel.

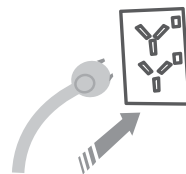
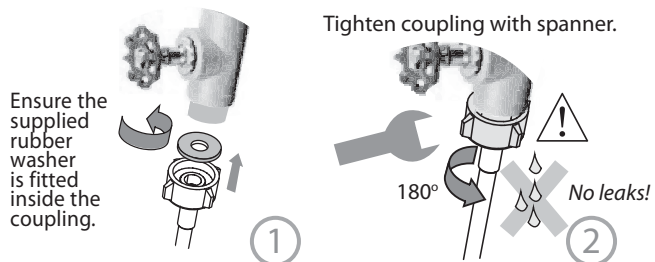
**Dishwasher and Standpipe Ø 38 mm**



**Dishwasher using sink trap with drain hose joiner**

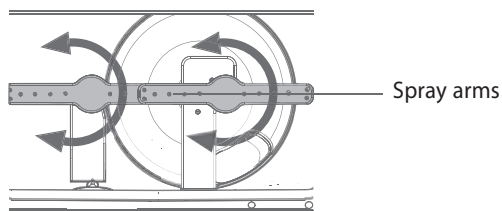




23 CONNECT INLET HOSE TO COLD WATER 24 PLUG PRODUCT IN



## 25 FINAL CHECKLIST

- ✓
- Check all parts are installed.
- Ensure product is level, securely fastened to the cabinetry and opens and closes freely. The drawer must be free to fully close with no resistance from the cabinetry.
- Ensure inlet hose to water supply has supplied rubber washer fitted, and that it's tightened a further half turn after seal contact.
- Ensure any knockouts or plugs in drain connection have been drilled out and drain connection has been made.
- The drain hose joiner must not support the weight of excess hose material. Keep drain hose as fully extended as possible to prevent sagging. Any excess length of drain hose should be kept on the dishwasher side of the highloop.
- If connecting the drain hose to the sink trap, ensure the Highloop is a minimum 150 mm higher than the drain hose joiner.
- Ensure any packaging or tape securing the racks is removed from the drawer.
- Turn on the power and water supplies, then open the drawer. You should hear a beep and see a program indicator light up on the internal control panel.
- Check the spray arms are in place and free to rotate.



- Add three cups of water into the drawer. Press  on the internal control panel until the indicator of the 'Rinse' program lights up. Close the drawer and press  to start the program.
- After the Rinse program has finished, ensure the dishwasher has run and drained correctly.
- Check water supply and drainage connection for leakage.

## 26 TROUBLESHOOTING

- **Excessive water remaining above the filter plate, after the rinse cycle**  
Check for a kinked drain hose or blocked waste connection, highloop not properly installed or drain hose not routed correctly.
- **No water supply (This is displayed as a 'U1' fault -- see section 'If there is a fault' in the User guide for how to recognise this fault on models without a display.)**  
Check water is connected and turned on.
- **The dishwasher is beeping continuously**  
There is a fault. See section 'If there is a fault' in the User guide for further information and instructions.
- **No program indicator lights up when the drawer is opened**  
Ensure power is connected and is switched on. If it is and still no indicator lights up, see the 'Preference options' section of the 'Quick start guide'. An option called 'Open drawer auto power-on' may need to be turned on.
- **Water around water supply and drainage connections**  
Check connections, existing plumbing and hoses for leaks. Check rubber washer and hose clamp are correctly fitted.
- **If product is tipping**  
Ensure the product is secured to the cabinetry.
- **If front panels are misaligned**  
Check and relevel product. Check the cabinetry is square. Check and adjust front panel alignment if necessary.
- **Drawer doesn't close properly**  
Ensure nothing is obstructing the drawer from closing properly eg sound insulation, hoses or drawer latches.
- If a problem occurs, consult the 'Troubleshooting' section of the User guide.
- If after checking these points you still need assistance, please refer to the Service & Warranty book for warranty details and your nearest Authorised Service Centre, or contact us through our website, listed below.

### **Important!** **SAVE THESE INSTRUCTIONS**

*The models shown in this document may not be available in all markets and are subject to change at any time. For current details about model and specification availability in your country, please visit our local website listed at the end of this document or contact your local Fisher & Paykel dealer.*



## Free Manuals Download Website

<http://myh66.com>

<http://usermanuals.us>

<http://www.somanuals.com>

<http://www.4manuals.cc>

<http://www.manual-lib.com>

<http://www.404manual.com>

<http://www.luxmanual.com>

<http://aubethermostatmanual.com>

Golf course search by state

<http://golfingnear.com>

Email search by domain

<http://emailbydomain.com>

Auto manuals search

<http://auto.somanuals.com>

TV manuals search

<http://tv.somanuals.com>