

**Fisher & Paykel**  
appliances

customer **care**<sup>™</sup>

# Parts Manual Dishwasher

**Model:**  
DW60CDX2 FP NZ/AU

**Product Code:**  
80544-A



care

**80544-A**



## PRODUCT

**Brand** Fisher & Paykel  
**Voltage** 220-240V, 50Hz  
**Model** DW60CDX 2 FP NZ/AU  
**Product Code** 80544-A

**Fisher & Paykel Appliances Ltd**  
PO Box 58-732, Greenmount  
78 Springs Rd  
East Tamaki  
New Zealand  
Telephone: (09) 2730660  
Facsimile: (09) 2730580  
E-mail: customer.care@fp.co.nz

**Fisher & Paykel Customer Services Pty Ltd**  
PO Box 798, Cleveland, QLD 4163  
A.C.N. 003 3335 171  
19 Enterprise Street  
Cleveland, QLD 4163  
Australia  
Telephone: (07) 3826 9100  
Facsimile: (07) 3826 9164  
E-mail: customer.care@fp.com.au



## CONTENTS

|                              |    |
|------------------------------|----|
| CHASSIS & TUB ASSEMBLY ..... | 6  |
| BASKETS .....                | 8  |
| SPRAY ARM ASSEMBLY .....     | 10 |
| DOOR.....                    | 14 |

### GUIDE TO USING THIS MANUAL

The model covered by this manual is listed on the front cover.

The information detailed in this manual is subject to change without notice. The latest version is indicated by the reprint date and replaces any earlier editions.

The front cover picture shows the type of product and may not necessarily be an exact image of the model covered by the manual.

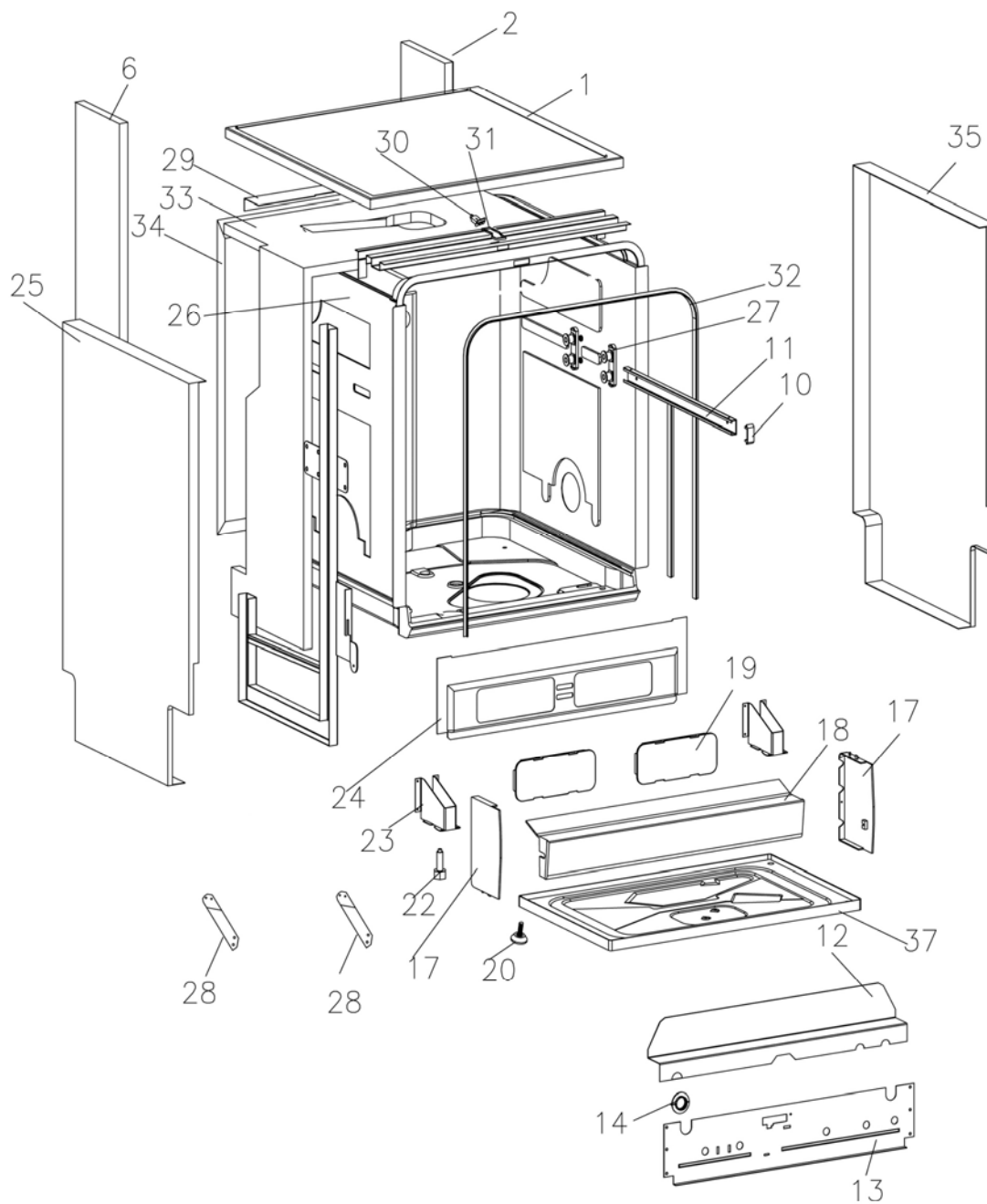
### Kit Parts

Kit components are shown in *italics*. Where a part number is shown against the descriptions for these kit components, they are also available as separate items. In addition, some parts may be supplied with these kits that are not available as separate items, and are therefore either not listed, or a part number is not shown against the part description in this manual.

### Parts List Key

|                |   |
|----------------|---|
| <i>italics</i> | Kit components or parts included are shown in <i>italics</i> . Refer to above notes: Kit Parts. |
| NI             | As a part reference, indicates the part is not illustrated on the diagram.                      |
| NOT USED       | As a part number, indicates the diagram part reference is not used in this manual.              |

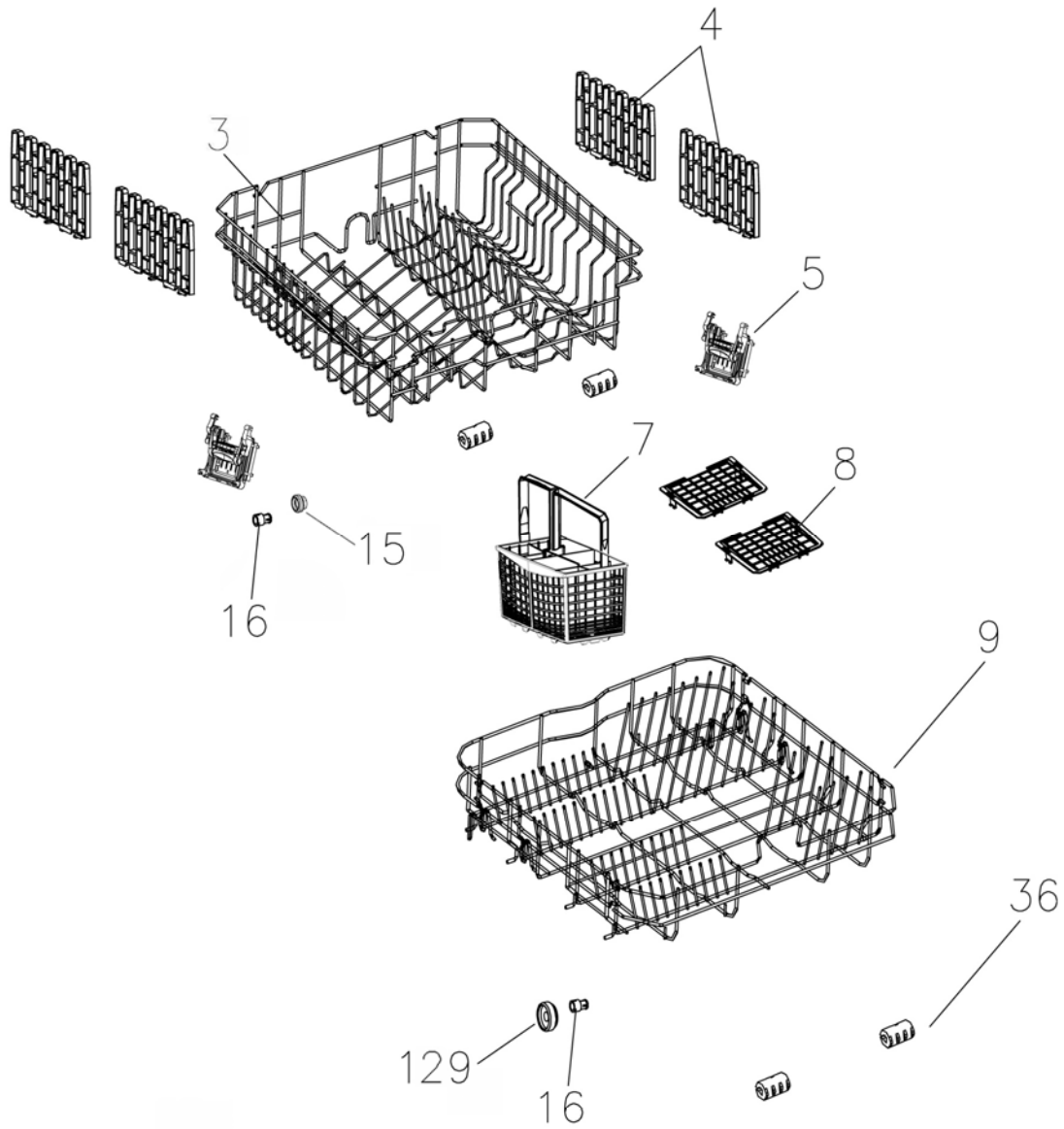
# CHASSIS & TUB ASSEMBLY



## CHASSIS & TUB ASSEMBLY

| REF | PART   | DESCRIPTION                   |
|-----|--------|-------------------------------|
| 1   | 791156 | TOP PANEL SS                  |
| 2   | 791303 | INSULATION RIGHT              |
| 6   | 791305 | INSULATION LEFT               |
| 10  | 791013 | RAIL END CAP GREY             |
| 11  | 791014 | RAIL                          |
| 12  | 791028 | BRACKET MIDDLE REAR           |
| 13  | 791030 | BRACKET LOWER REAR AQUASTOP   |
| 14  | 791029 | DRAIN HOSE GROMMET            |
| 17  | 791168 | END CAP RIGHT BASE SS         |
|     | 791173 | END CAP LEFT BASE SS          |
| 18  | 791170 | FRONT BASE PANEL SS           |
| 19  | 791024 | SERVICE PANEL COVER           |
| 20  | 791032 | ADJUSTABLE FOOT REAR          |
| 22  | 791027 | ADJUSTABLE FOOT FRONT         |
| 23  | 791026 | FRONT FOOT LEVELING BRACKET   |
| 24  | 791025 | SERVICE PANEL                 |
| 25  | 791175 | DECORATIVE SIDE PANEL LH SS   |
| 26  | NS     | NOT AVAILABLE AS A SPARE PART |
| 27  | 791016 | TUB ROLLERS GREY              |
| 28  | 791047 | REAR GUSSET LH                |
|     | 791048 | REAR GUSSET RH                |
| 29  | 791177 | UPPER REAR PANEL              |
| 30  | 791722 | KIT FIELD FIX DOOR LATCH DW60 |
| 31  | 791179 | LATCH TONGUE                  |
| 32  | 791011 | TUB GASKET                    |
| 33  | 791306 | INSULATION                    |
| 34  | 791307 | BACK PANEL                    |
| 35  | 791158 | DECORATIVE SIDE PANEL RH SS   |
| 37  | 791031 | BASE PANEL                    |

# BASKETS

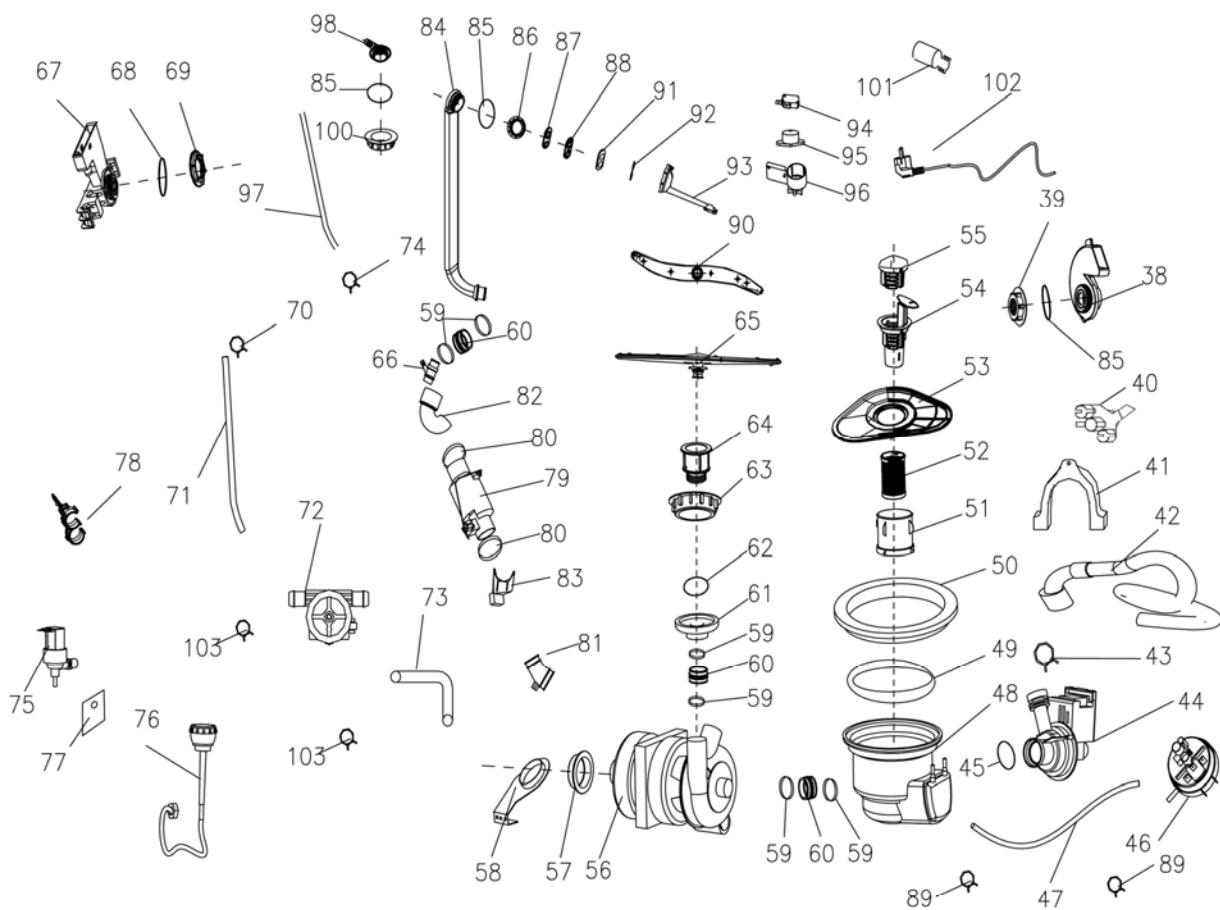




**BASKETS**

| <b>REF</b> | <b>PART</b> | <b>DESCRIPTION</b>     |
|------------|-------------|------------------------|
| 3          | 791314      | UPPER BASKET           |
| 4          | 791160      | FOLD DOWN              |
| 5          | 791304      | BASKET HEIGHT ADJUSTER |
| 7          | 791319      | CUTLERY BASKET GREY    |
| 8          | 791171      | INSERT CUTLERY BASKET  |
| 9          | 791164      | LOWER BASKET           |
| 15         | 791161      | ROLLER SMALL BASKET    |
| 16         | 791162      | AXLE STUB              |
| 36         | 791302      | BUMPER                 |
| 129        | H0120200964 | ROLLER LOWER BASKET    |

# SPRAY ARM ASSEMBLY

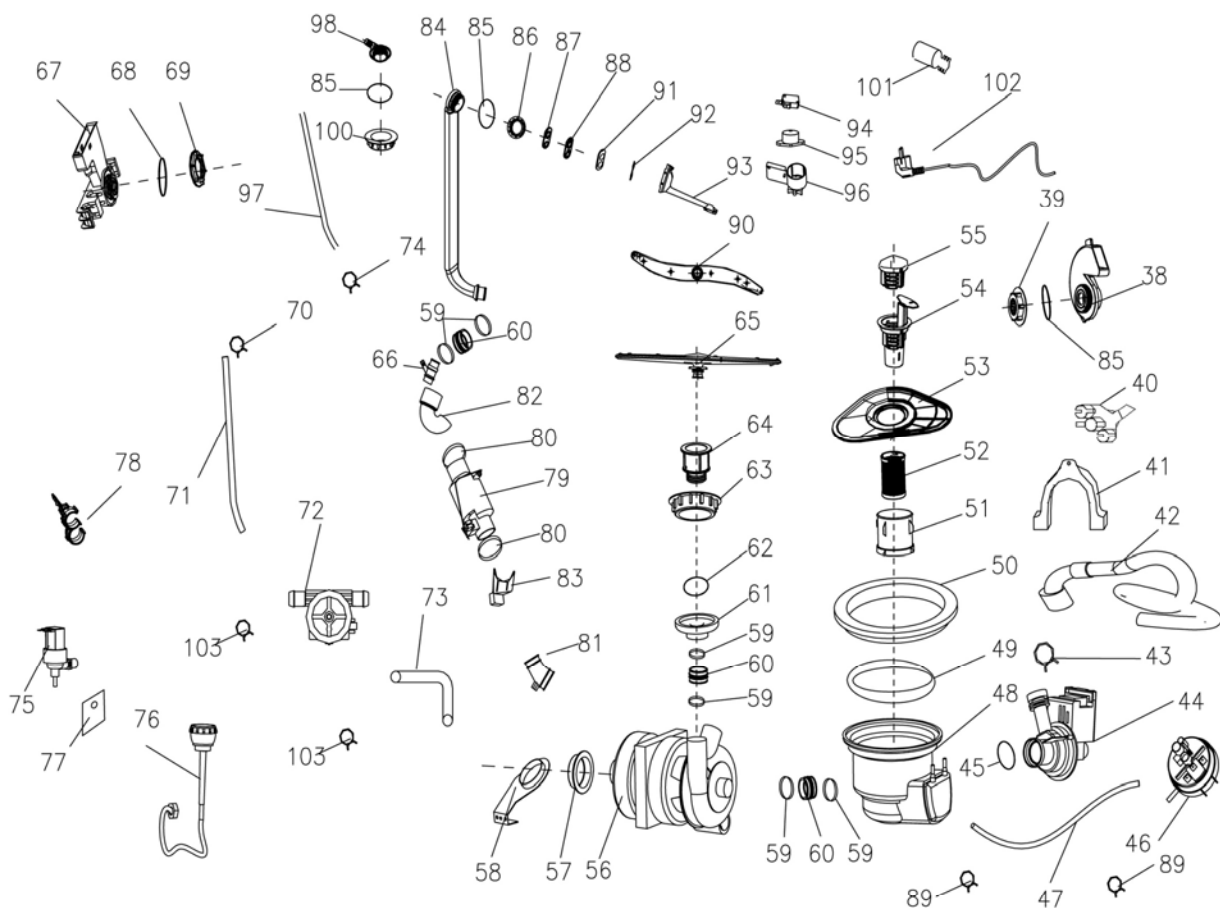


## SPRAY ARM ASSEMBLY

| REF | PART                   | DESCRIPTION                        |
|-----|------------------------|------------------------------------|
| 38  | 791065                 | AIR VENT                           |
| 39  | 791067                 | AIR VENT CAP GREY                  |
| 40  | 791221                 | TEMPERATURE SENSOR ASSY            |
| NI  | 521815                 | HEAT TRNSFR COMPOUND UNIC 10GM     |
| 41  | 420667P                | GUIDE DRAIN HOSE PKD               |
| 42  | 791075                 | DRAIN HOSE                         |
| 43  | 791073                 | HOSE CLAMP                         |
| 44  | 791071                 | DRAIN PUMP                         |
|     | <i>Includes</i>        | <i>FLAP VALVE</i>                  |
| 45  | 791072                 | O-RING DRAIN PUMP                  |
| 46  | 791184                 | WATER PRESSURE SWITCH              |
| 47  | 791077                 | PRESSURE SWITCH TUBE               |
| 48  | 791185                 | SUMP ASSEMBLY                      |
| 49  | 791186                 | SUMP GASKET                        |
| 50  | 791088                 | RING NUT SUMP GREY                 |
| 51  | 791089                 | MICROFILTER                        |
| 52  | 791090                 | INNER FILTER SCREEN                |
| 53  | 791091                 | FILTER PLATE                       |
| 54  | 791093                 | STRAINER GREY                      |
| 55  | 791187                 | STRAINER 412/512                   |
| 56  | 791697                 | WASH PUMP ASSEMBLY DW60            |
|     | <i>Includes 791318</i> | <i>MOTOR CAPACITOR</i>             |
| 57  | 791115                 | WASH PUMP VIBRATION RING           |
| 58  | 791116                 | WASH PUMP BRACKET                  |
| 59  | 791097                 | HOSE CLAMP (20-32)                 |
| 60  | 791096                 | WASH PUMP HOSE                     |
| 61  | 791098                 | LOWER SPRAY ARM BASE FIXING        |
| 62  | 791099                 | O-RING                             |
| 63  | 791101                 | LOWER SPRAYER RING NUT GREY        |
| 64  | 791103                 | BEARING LOWER SPRAY ARM BASE GREY  |
| 65  | 791106                 | LOWER SPRAY ARM                    |
| 66  | 791163                 | FEED PIPE TOP SPRAY ARM            |
| 67  | 791189                 | VENT                               |
| 68  | 791110                 | O-RING FILL VENT                   |
| 69  | 791190                 | AIR VENT CAP                       |
| 70  | 791081                 | HOSE CLAMP                         |
| 71  | 791192                 | HOSE FLOW METER OUT                |
| 72  | 791193                 | FLOW METER                         |
| 73  | 791194                 | FILL HOSE                          |
| 74  | 791081                 | HOSE CLAMP                         |
| 75  | 791062                 | SOLENOID VALVE                     |
| 76  | 791063                 | INLET HOSE (1.55M)                 |
|     | 529855P                | HOSE INLET ASSY WIRSBO COLD (1.9M) |

Continued next page...

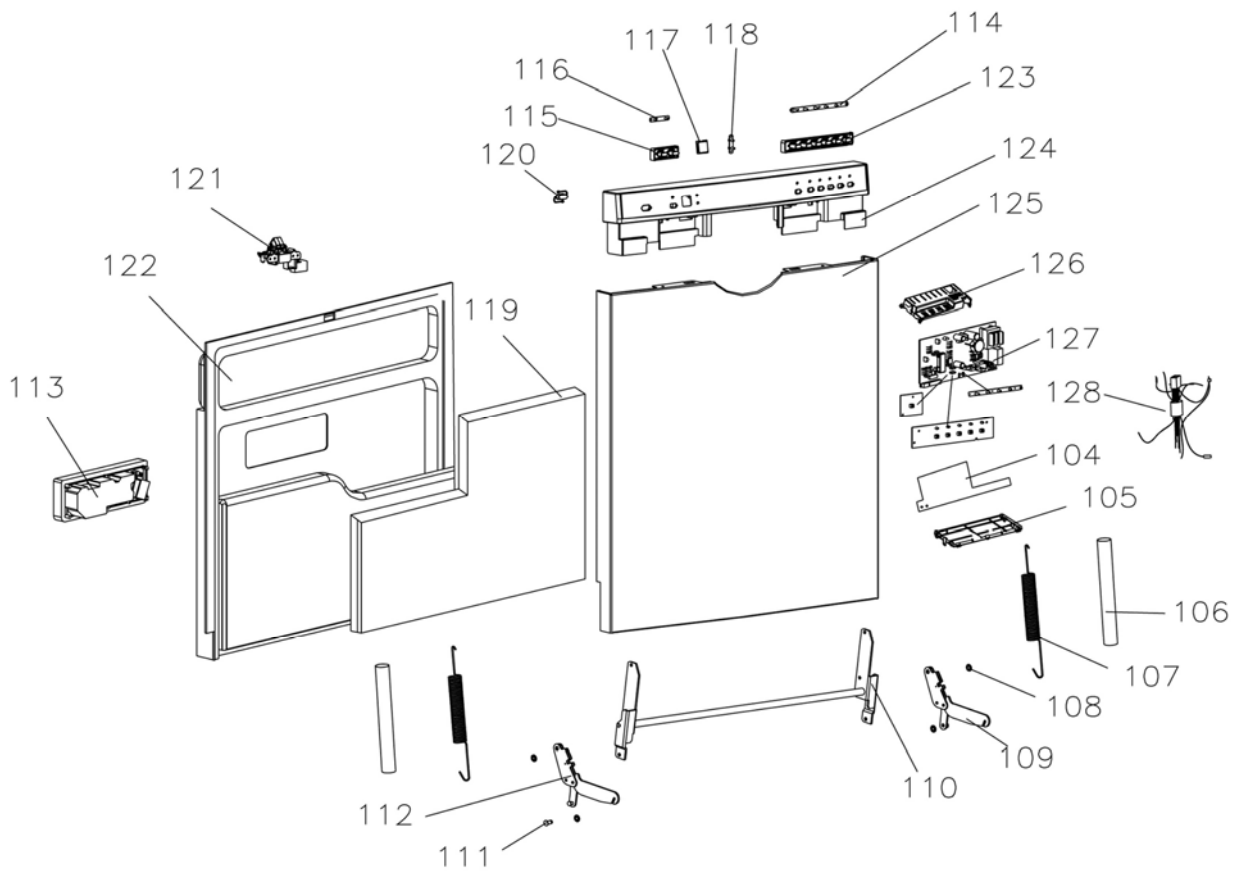
# SPRAY ARM ASSEMBLY



## SPRAY ARM ASSEMBLY

| REF | PART   | DESCRIPTION                            |
|-----|--------|--|
| 77  | 791117 | VELUM SOLENOID VALVE                   |
| 78  | 791195 | HOSE SUPPORT                           |
| 79  | 791196 | ELEMENT                                |
| 80  | 791197 | HOSE CLAMP (32-50)                     |
| 81  | 791198 | ELEMENT INLET HOSE                     |
| 82  | 791199 | ELEMENT OUTLET HOSE                    |
| 83  | 791200 | ELEMENT SUPPORT                        |
| 84  | 791201 | TOP SPRAY ARM TUBE                     |
| 85  | 791050 | O-RING                                 |
| 86  | 791052 | NUT UPPER SPRAYER GREY                 |
| 87  | 791054 | COVER TOP TRANSITION GREY              |
| 88  | 791055 | SEAL TUBE PLUMBING TOP SPRAY ARM       |
| 89  | 791078 | HOSE CLAMP TUBE PRESSURE SWITCH        |
| 90  | 791058 | SPRAY ARM UPPER GREY                   |
| 91  | 791056 | FLAT VALVE HOUSING                     |
| 92  | 791118 | FLAP VALVE UPPER SPRAY ARM             |
| 93  | 791095 | TOP TRANSITION GREY                    |
| 94  | 791061 | MICROSWITCH                            |
| 95  | 791060 | FLOAT FLOOD SWITCH                     |
| 96  | 791059 | FLOAT SWITCH BRACKET                   |
| 97  | 791309 | HOSE 3RD SPRAYER                       |
| 98  | 791310 | CONNECTION FOR 3 <sup>RD</sup> SPRAYER |
| 100 | 791311 | 3 <sup>RD</sup> SPRAYER                |
| 101 | 791120 | RFI CAPACITOR                          |
| 102 | 791181 | FLEX ASSY MAINS                        |
| 103 | 791233 | HOSE CLAMP                             |

# DOOR



DWG001345

## DOOR

| REF | PART   | DESCRIPTION                       |
|-----|--------|-----------------------------------|
| 104 | 791216 | VELUM PCB BOARD                   |
| 105 | 791217 | PCB BOARD BOTTOM COVER            |
| 106 | 791218 | DOOR SPRING COVER                 |
| 107 | 791143 | DOOR SPRING                       |
| 108 | 791145 | O-RING HINGE                      |
| 109 | 791141 | HINGE RH                          |
| 110 | 791140 | HINGE CROSSBRACE ASSEMBLY         |
| 111 | 791146 | HINGE PIN                         |
| 112 | 791142 | HINGE LH                          |
| 113 | 791234 | DETERGENT DISPENSER GREY          |
| 114 | 791219 | WASH PROGRAM INDICATOR LENS       |
| 115 | 791235 | RESET / DELAY BUTTON              |
| 116 | 791227 | RESET / DELAY INDICATOR LENS      |
| 117 | 791228 | TIME REMAINING LENSE              |
| 118 | 791229 | RINSE AID / HEATER INDICATOR LENS |
| 119 | 791300 | SOUND DEADENING BLANKET           |
| 120 | 791316 | ON/OFF BUTTON SS                  |
| 121 | 791722 | KIT FIELD FIX DOOR LATCH DW60     |
| 122 | 791206 | INNER DOOR ASSEMBLY               |
| 123 | 791208 | WASH PROGRAM BUTTON SS            |
| 124 | 791224 | CONTROL PANEL MOUNTING 512 SS     |
| 125 | 791212 | OUTER DOOR PANEL SS               |
| 126 | 791213 | PCB TOP COVER                     |
| 127 | 791243 | PCB BOARD DW60CD 4STAR            |
| 128 | 791236 | WIRING LOOM                       |
| NI  | 599350 | USER GUIDE HAIER DW F&P BRAND     |

## Free Manuals Download Website

<http://myh66.com>

<http://usermanuals.us>

<http://www.somanuals.com>

<http://www.4manuals.cc>

<http://www.manual-lib.com>

<http://www.404manual.com>

<http://www.luxmanual.com>

<http://aubethermostatmanual.com>

Golf course search by state

<http://golfingnear.com>

Email search by domain

<http://emailbydomain.com>

Auto manuals search

<http://auto.somanuals.com>

TV manuals search

<http://tv.somanuals.com>