

Installation instructions and User guide

Dishwasher

DW60DOX models

NZ AU



Safety and warnings	2
Installation instructions	4
Introduction	10
Using your dishwasher	11
Wash programme chart	16
Loading the dishwasher	17
Caring for your dinnerware	23
Dishwasher standards test	24
Using rinse aid	25
Adding dishwasher detergent	26
Care and cleaning	27
Troubleshooting	28
Warranty and service	32

Important!

SAVE THESE INSTRUCTIONS

The models shown in this user guide may not be available in all markets and are subject to change at any time. For current details about model and specification availability in your country, please visit our local website listed on the back cover or contact your local Fisher & Paykel dealer.

2 Safety and warnings

Important safety precautions

For your safety, follow basic precautions when using your dishwasher, including the following:

- *Please read all instructions before operating your dishwasher.*
- *The information in this user guide must be followed to minimise the risk of fire or explosion, or to prevent property damage, personal injury or loss of life.*


Operational

- *Use the dishwasher only for its intended function as described in this user guide.*
- *Dishwasher detergents are alkaline. They can be dangerous if swallowed. Avoid contact with skin and eyes, and keep children and infirm persons away from the dishwasher when the door is open.*
- *Use only detergents or rinse aid recommended for use in a domestic dishwasher and keep them out of reach of children. Check that the detergent dispenser is empty after the completion of each wash programme.*
- *When loading items to be washed, place sharp items where they are not likely to damage the dishwasher and load sharp knives and other sharp items with the handles up or in a horizontal position to reduce the risk of cut type injuries.*
- *Do not tamper with the controls of your dishwasher.*
- *Do not abuse, sit on, or stand on the door or dish rack of your dishwasher. Do not place any heavy objects on the door when it is open. The dishwasher could tip forward.*
- *To reduce the risk of injury, do not allow children to play in or on the dishwasher.*
- *Under certain conditions hydrogen gas may be produced in a hot water heater system that has not been used for two weeks or more. HYDROGEN GAS IS EXPLOSIVE. If the hot water system has not been used for such a period, then before using the dishwasher, turn on all hot water taps and let the water flow from each for several minutes. This will release any accumulated hydrogen gas. As hydrogen gas is flammable, do not smoke or use an open flame during this time.*
- *Remove the door to the washing compartment when removing an old dishwasher from service or discarding it.*
- *Open the door very carefully if the dishwasher is in operation. There is a risk of being sprayed with hot water. Do not open the door fully until the spray arm has stopped rotating.*
- *The door should not be left in the open position as this could present a tripping hazard.*
- *When disconnecting the dishwasher, pull by the plug rather than the cable or junction of cable to avoid damage.*
- *Children or persons with a disability which limits their ability to use the appliance, should have a responsible person to instruct them in its use. The instructor should be satisfied that they can use the appliance without danger to themselves or their surroundings. Young children should be supervised to ensure that they do not play with the dishwasher.*
- *The water inside the dishwasher is not suitable for drinking.*
- *This dishwasher is designed for washing normal household utensils. Items that are contaminated by petrol, paint, steel or iron debris, or corrosive, acidic or alkaline chemicals are not to be washed in this dishwasher.*
- *If the dishwasher is not being used for long periods of time, turn the electricity and water supply to the dishwasher off.*

Installation

- *This dishwasher must be installed and positioned in accordance with the 'Installation instructions' before it is used. The installing plumber and electrician are responsible for ensuring that installation complies with applicable laws and regulations.*
- *Installation and service should be performed by a qualified technician.*
- *If the power supply cable is damaged, it must be replaced by the manufacturer or Authorised Service Centre or a similarly qualified person in order to avoid a hazard.*
- *Ensure the dishwasher is placed between cabinetry. Failure to do so may result in an unstable product, which may cause damage or injury.*
- *The appliance should be connected to the water main using only the new hose supplied. Old hose sets should not be used.*
- *Underbench installation: To prevent possible steam damage to the cabinetry, ensure the bare wood surrounding the dishwasher is sealed with an oil-based paint or moisture-proof polyurethane.*
- *Do not operate this dishwasher if it is damaged, malfunctioning, partially disassembled or has missing or broken parts, including a damaged power supply cable or plug.*
- *Do not store or use petrol or other flammable vapours and liquids in the vicinity of the dishwasher.*
- *Connect to a properly rated, protected and sized power supply circuit to avoid electrical overload.*
- *Make sure that the power supply cable is positioned where it will not be stepped on, tripped over, or otherwise subjected to damage or stress.*
- *Do not install or store the dishwasher where it will be exposed to the weather or temperatures below freezing.*
- *Do not use an extension cable or portable electrical outlet device (eg multi-outlet power board) to connect the dishwasher to the power supply.*

Maintenance

- *Do not repair or replace any part of the dishwasher or attempt any servicing unless specifically recommended in this user guide. We recommend that you call a Fisher & Paykel Authorised Service Agent.*
- * This symbol on the inlet hose water valve box denotes that, cautions need to be taken when handling the inlet hose water valve while the product is connected to power supply, because the working voltage of the water valve exceeds 50V~.*
- *Keep the floor around your dishwasher clean and dry to reduce the possibility of slipping.*
- *Keep the area around and underneath your dishwasher free from the accumulation of combustible materials, such as lint, paper, rags and chemicals.*
- *When cleaning the underside of the filter, take care on the sharp outer edge to avoid the risk of cut type injuries.*
- *If the dishwasher is not operating properly or requires maintenance, disconnect the dishwasher from the power supply.*

4 Installation instructions

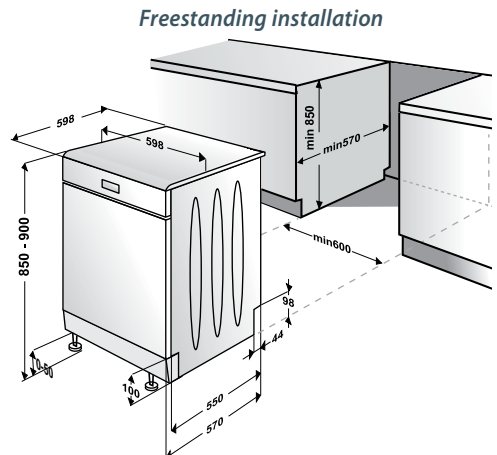
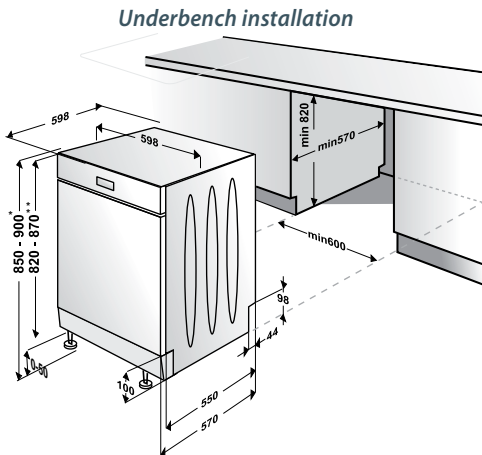
Before you start

- Carefully read through the 'Safety and warnings' section of this document.
- Check the packaging and the dishwasher for signs of transport damage. If there is any damage, do not install the dishwasher but contact your Fisher & Paykel Authorised Service Centre or dealer.
- The dishwasher must not be connected to the power supply during installation.
- Never lift the dishwasher from the door handle or the top panel.
- Always be careful with the hoses and the power supply cable at the back of the dishwasher. Careful handling will prevent malfunction from squashing, kinking or cuts.
- The dishwasher should be connected to a cold water system only. The incoming water temperature should not exceed 60 °C.
- The dishwasher must not be connected to an undersink high-pressure "push-through"-type hot water system, as damage to the system will result.
- Underbench or built-in appliances should be installed under a continuous surface which is attached to adjacent cupboards, in order to ensure that the appliance is stable.

Technical data

Maximum capacity	14 standard place settings
Mains water pressure	0.3 – 10 bar (= 3 – 100 N/cm ² = 0.03-1.0MPa)
Power voltage	220-240 V – 50 Hz
Maximum current intensity	10 A
Power output	2000 W

Product and cavity dimensions (in mm)

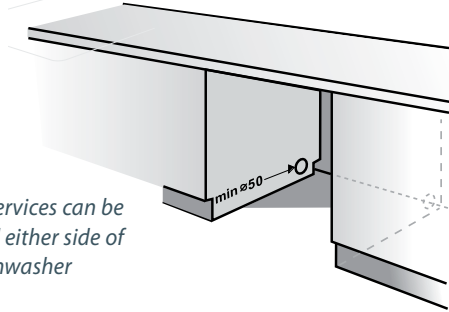


* With top panel in place

** With top panel removed

Preparing the cavity

Note: services can be located either side of the dishwasher

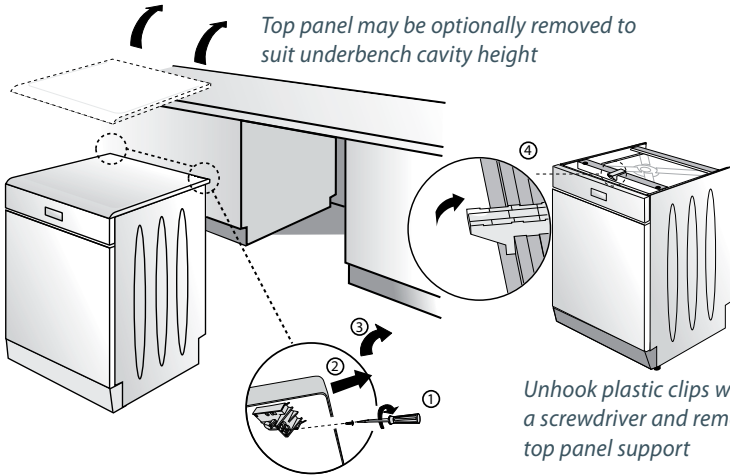


Underbench installation only

Important!

To prevent possible steam damage to the cabinetry, ensure the bare wood surrounding the dishwasher is sealed with an oil-based paint or moisture proof polyurethane.

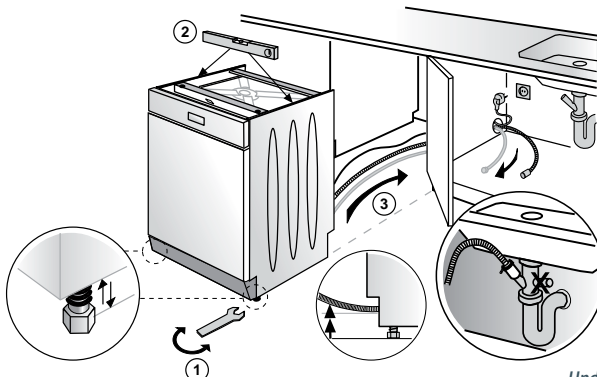
Removing the top panel (optional) - Underbench installation only



Top panel may be optionally removed to suit underbench cavity height

Unhook plastic clips with a screwdriver and remove top panel support

Levelling and positioning the dishwasher



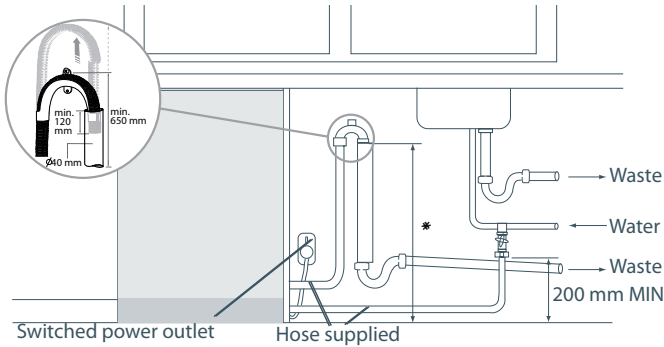
Ensure that:

- hoses are not kinked or twisted
- the dishwasher is level
- the door can open freely

6 Installation instructions

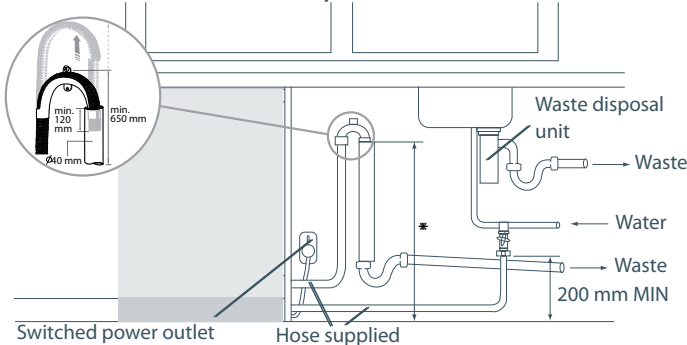
Connecting water inlet hose and drain hose

Option 1: Dishwasher



* Standpipe Ø40 mm
500 mm MIN above floor

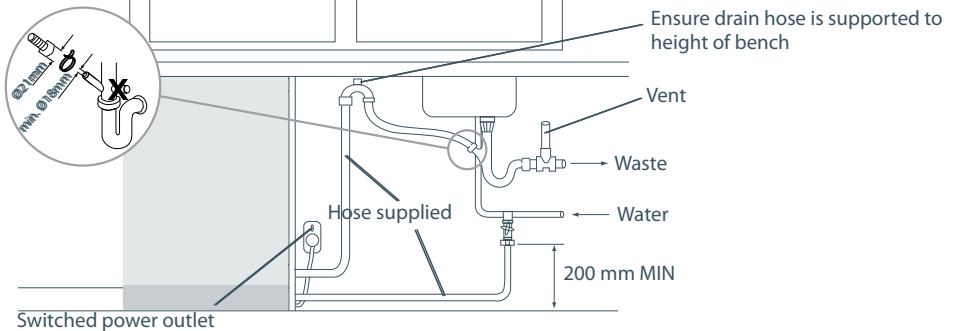
Option 2: Dishwasher & waste disposal unit



* Standpipe Ø40 mm
500 mm MIN above floor

note:
Connection of drain hose
direct to the waste disposal
unit is NOT recommended.

Option 3: Dishwasher using sink trap with dishwasher drain hose spigot



Connecting the water inlet hose

Important!

The appliance should be connected to the water main using only the new hose supplied with the dishwasher. Old hose sets should not be used.

- 1 Check water connection requirements.
 - The dishwasher has a single valve water connection.
 - We recommend a cold water connection.
 - The incoming water temperature should not exceed 60 °C.
- 2 Check water pressure.

Permitted water pressure extremes

Lowest: 0.3 bar = 3 N/cm² = 30kPa

When pressure is below 1 bar, contact a qualified technician.

Highest: 10 bar = 100n/cm² = 1MPa

When pressure is above 10 bar, a pressure reduction valve must be installed. Contact a qualified technician.

- 3 Connect the water inlet hose to an accessible water tap using a ¾" bsp connector.
 - The valve box of the AQUASAFE+ anti-flood protection system is already fitted on the hose. For details, see 'About the AQUASAFE+ anti-flood protection system' below.
 - If required, use a filter insert (Part No. 420016P) to filter out deposits from the piping. It is available from the nearest Authorised Service Agent.
- 4 Tighten the hose coupling a further half turn after seal contact.
- 5 Ensure incoming water is clear.

If the water pipes have not been used for a long period of time, let the water run to make sure it is clear with no impurities. Not doing so may result in the water inlet hose getting blocked and damaging the appliance.
- 6 Check that the connection does not leak.

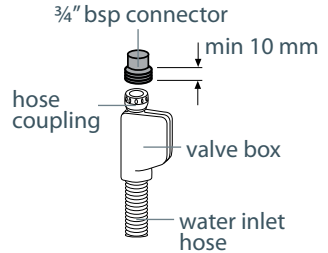


Fig. 1 Connecting the water inlet hose (Aquasafe+ system already fitted)

About the AQUASAFE + anti-flood protection system

- The Aquasafe+ System protects against water damage by stopping the water flowing in the event of a damaged hose or a leak within the machine.
- Do not immerse the system's valve box into water; it contains electrical components.
- In case of damage, pull out the power supply plug.
- Do not shorten or lengthen the water inlet hose insert as it contains electrical cables and components.

Connecting the drain hose

- For drain hose connection options and requirements, see the illustrations opposite.
- If a drain hose extension is required, a drain hose of equal quality and not longer than 4 m must be used. Using a hose longer than 4 m will produce poorer cleaning results.

Electrical connection

- Ensure all domestic wiring is properly earthed.
- Ensure the voltage and frequency values for the current in your home correspond to those on the rating plate and that the electrical system is correct for the maximum voltage on the rating plate. For the location of the rating plate, see Fig.2, no.13.
- Insert the plug into a properly earthed switched outlet. Earthing the appliance is a safety requirement prescribed by law.
- If the power outlet to which the appliance must be connected is not appropriate for the plug, replace the whole cable. Do not use adaptors as they can cause overheating and burns.
- The dishwasher plug must be accessible even when the appliance is installed as a built-in unit so that maintenance can be done safely and the customer can disconnect the appliance if necessary.

Disposing of packaging and old appliance

- Some of the packaging material is recyclable. Check the symbols and labels and recycle if possible. Help protect the environment.
- To avoid children getting trapped or injured while playing with an old appliance, ensure you remove any doors, door locks and cables from the appliance.

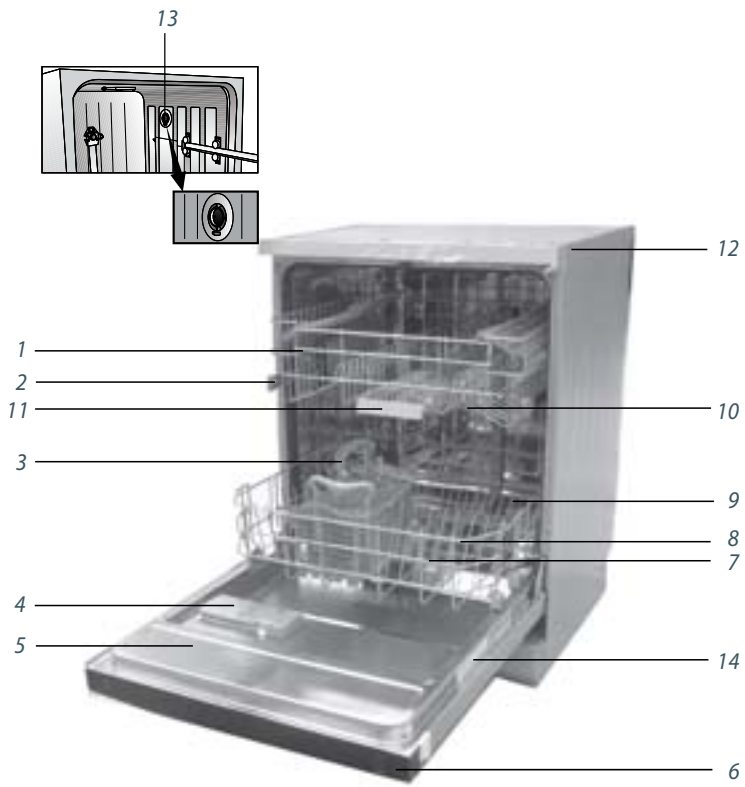


Fig. 2 Dishwasher features

Dishwasher features

- | | |
|-------------------------------------|---------------------------------|
| 1 Upper basket with cup racks | 10 Upper spray arm |
| 2 Guide rail for the upper basket | 11 Cutlery drawer |
| 3 Cutlery basket | 12 Top panel |
| 4 Detergent and rinse aid dispenser | 13 Turbo fan heat drying system |
| 5 Door | 14 Rating plate |
| 6 Control panel | |
| 7 Filters | |
| 8 Lower spray arm | |
| 9 Lower basket | |

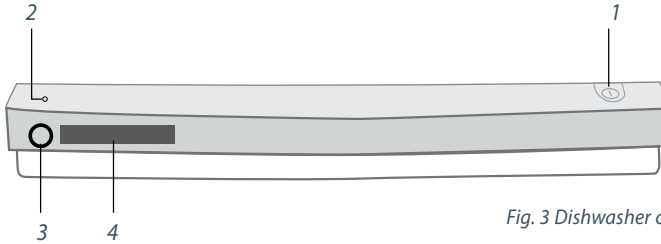








Fig. 3 Dishwasher control panel

Control panel features

- 1 On/Off button 
 - turns the dishwasher on or off
- 2 Rinse aid indicator light
 - glows red when the rinse aid levels is low, reminding you to refill the rinse aid. See 'Using rinse aid'.
- 3 Start/pause/cancel button 
 - used to start, pause or cancel a wash programme
- 4 Digital display
 - shows the programme steps, the time remaining until the end of a wash programme and warning messages

Running a wash programme


- 1 Turn on the water tap.
- 2 Connect the dishwasher plug into the power outlet.
- 3 Load the dishes. See section 'Loading the dishwasher'.
- 4 Check that both the upper and lower spray arms can rotate freely.
- 5 Add detergent. See section 'Adding dishwasher detergent'
- 6 Turn the dishwasher on by pressing the  button. *HELLO* and then *◀PRESS TO WASH* will show on the display. The illuminated ring around the  button will light up.
- 7 Check the rinse aid light. If it is red, fill the rinse aid dispenser. See section 'Using rinse aid'.
- 8 Start the programme by pressing the  button. (You may have to deactivate the keylock first. See 'To deactivate the keylock manually' for instructions.)
 - The dishwasher will automatically select the best programme for the particular load.
 - At the end of the programme the dishwasher will play a tune and the word *END* will appear on the display.
- 9 Press the  button to turn the dishwasher off.
- 10 Turn the water tap off.
- 11 Disconnect the dishwasher plug from the power outlet.
- 12 Let dishes cool in the dishwasher for 15 minutes before unloading. Leave the door ajar during this time to help the dishes dry faster.

Important!

Never leave the door in a fully open position, as this could create a tripping hazard.

12 Using your dishwasher

Notes:

- We do not recommend opening the dishwasher door when a wash programme is running. If you need to open the door, see 'Pausing a wash programme' for instructions on pausing and resuming a wash programme. Take care when you open the door as there may be a rush of steam.
- 90 seconds after starting a wash programme, the display will dim itself to save energy. If you touch the  button, the display will return to its original brightness.


About the keylock feature

The dishwasher will automatically activate the keylock. This prevents children stopping the wash programme during mid-cycle or someone accidentally touching a button.





Keylock is automatically activated 30 seconds after

- a wash programme has been started.
- the dishwasher has been turned on, even if no wash programme has been started.
- a wash programme has finished, unless you open the dishwasher door or turn the dishwasher off.
- a wash programme has been paused or cancelled and the door has not been opened.



Notes:

- Keylock is deactivated automatically when a wash programme has finished (when *END* is displayed).
- If you do not turn the machine off by pressing the  button, the keylock will be reactivated after 30 seconds.






To deactivate the keylock manually

- 1 Press the  button. *TO CANCEL KEYLOCK* will appear on the display.
- 2 Press the  button again. *PRESS FOR 5 SECS* will be displayed.
- 3 Hold down the  button for five seconds, until the countdown finishes and *KEY LOCK DEACTIVATED* appears on the display.
 - If you release the  button during the countdown, the keylock will remain activated.
- 4 Once the keylock has been deactivated, you can either pause or cancel a wash programme (see instructions following).

Pausing a wash programme after the keylock has been automatically activated








- 1 Deactivate the keylock (see instructions above).
- 2 When the display shows *KEY LOCK DEACTIVATED*, press the  button. The display will show *PAUSED* and then *PRESS TO CONTINUE*.
 - Note: If your dishwasher has been paused for more than 30 seconds, you will need to deactivate the keylock again before you can resume the wash programme.
- 3 Press the  button again to resume the wash programme.

Cancelling a wash programme after the keylock has been automatically activated

- 1 Deactivate the keylock (see instructions above).
- 2 When the display shows *KEY LOCK DEACTIVATED*, press the  button until *PAUSED* is displayed.
- 3 Keep the  button held down while the display counts down: *CANCEL 5..4..3..2..1*
- 4 When *CANCEL* appears on the display by itself, release the  button.
 - The word *CANCELLING* will flash on the display for 45 seconds, followed by *CANCELLED* and a short tune.
- 5 Now you may either turn the dishwasher off by pressing the  button or press the  button to start a new wash programme.
 - Note: cancelling a wash programme before it is complete may result in detergent staying in the machine and on the dishes.

Selecting a different language

Your dishwasher is preset to display its messages in English, but you can select from ten additional languages if you wish to.

- 1 Enter the language selection menu
 - Make sure your dishwasher is turned on but there is no wash programme running.
 - Deactivate the keylock if necessary (see instructions above).
 - Open the door.
 - With the door open, press the  button. The display will show *LANGUAGE SETTINGS*
 - Keep the  button held down while the display counts down: *LANGUAGE SETTINGS 10..9.....2..1*
 - When the currently set language (eg *ENGLISH*) appears in the display, release the  button.
- 2 Select a different language
 - Scroll through the languages by re-pressing the  button.
 - When the display shows the language you want (eg *ITALIANO*) press and hold the  button for 5 seconds until *STORED* is displayed.
- 3 Exit the language selection menu
 - Turn the dishwasher off by pressing the  button.
 - Turn the dishwasher back on by pressing the  button.

Note: while the door is open, the keylock will not be activated and you will not be able to cancel a wash programme.

Wash progress display

As the wash programme advances through the cycle, the following can be displayed on the screen:

Display	What's happening
<i>WASHING</i>	The dishwasher is removing food from the dishes and detergent is dispensed.
<i>ANALYSING</i>	The dishwasher is determining what programme to use, based on the degree of soiling detected. This process may take between 10-30 minutes. Washing continues during this stage and the boxes in the display indicate the degree of soiling detected. See the 'Wash programme chart' for what each sequence of boxes means.
<i>PROGRAMME DETERMINED</i>	This is displayed when the analysis is complete. Do not add more dishes after this, as doing so could affect wash performance.
<i>WASHING HRS: MINS</i>	The display shows which wash segment the programme is currently in, together with the total remaining time counting down. When the countdown has reached 0:00, the dishwasher will play a tune and display <i>END</i> , indicating that the wash programme has finished.
<i>RINSING HRS: MINS</i>	
<i>DRYING HRS: MINS</i>	

Warning displays

The dishwasher can alert you to some problems. Should one of the following warnings be displayed, check the table below and eliminate the problem if possible.

Warning display	What to do
<i>DOOR IS OPEN</i>	Close the door.
<i>NO WATER</i>	Ensure the dishwasher water supply is on. If you have checked the water supply is on and the tap is open but this warning is still displayed, call your nearest Fisher & Paykel Authorised Service Centre or Customer Care. For contact details, see section 'Warranty and service'.
<i>CALL SERVICE</i>	Your dishwasher may have taken in excessive water for some reason. Call your nearest Fisher and Paykel Authorised Service Centre or Customer Care. For contact details, see section 'Warranty and service'.
<i>PLS CHECK THE FILTER</i>	<ul style="list-style-type: none"> ▪ Remove the filter and clean it under running water. For instructions, see 'Care and cleaning'. ▪ If there is water in the bottom of the dishwasher, cancel the wash programme and remove the excess water. ▪ Remove any food deposits from the dishwasher. ▪ If the interior of your dishwasher is dirty, run it with or without detergent while it is empty. ▪ Always remove large food scraps from your dishes before loading. ▪ Clean your dishwasher regularly using dishwasher cleaners.

If a fault occurs

If the dishwasher malfunctions, turn off the water supply to the appliance and disconnect the plug from the power outlet. Refer to the Troubleshooting section. If you cannot solve the problem, contact your nearest Fisher & Paykel Authorised Service Centre.

Wash programme chart

The dishwasher will detect the degree of soiling during washing and will automatically determine the best temperature, time and water quantity for that particular load. Your dishwasher can run five different programme structures based on how soiled the dishes are.

AUTO 40 - 70 °C					
Programme					
Degree of soiling indication	■ □ □ □ □	■ ■ □ □ □	■ ■ ■ □ □	■ ■ ■ ■ □	■ ■ ■ ■ ■
Type of dishes	Automatically selected for dishes that are dusty or very lightly soiled.	Automatically selected for dishes that are not rinsed and are going to be washed immediately or left for a few hours.	Automatically selected for dishes that have not been rinsed and have been left to dry.	Automatically selected for heavily soiled dishes that are not rinsed and have been left to dry for a long time.	Automatically selected for heavily soiled dishes, greasy saucepans and frying pans.
Programme time (min.)	80	105	155	163	125
Water consumption (ltrs)	10.4	10.4	11.1	14.2	16.2
Power consumption (kWh)	1.10	1.14	0.88	1.42	1.50

- The consumption values above are only approximate and the exact figures depend on water temperature, conditions of the surrounding environment and the type of dish load.
- The average values above are based on 20 °C incoming water temperatures.

Loading tips

- Remove all food scraps from dishes before loading them into the dishwasher.
- Cups, glasses and bowls must have their openings facing downwards.
- Dishes and cutlery should not be placed above each other.
- Place glasses so they do not touch each other.
- Ensure the spray arms can rotate freely.
- Place all large and very dirty items in the lower basket.
- Small and light items can go into the upper basket.
- Long and narrow items can be placed in the middle of the upper basket.
- Place knives and other utensils with sharp tips and edges horizontally into the upper basket or in the cutlery basket with the handles up. Doing so reduces the risk of cut-type injuries.
- Overloading your dishwasher will lead to poor wash performance.
- Ensure dishes that are placed in the dishwasher are dishwasher proof.

Suggested loading patterns

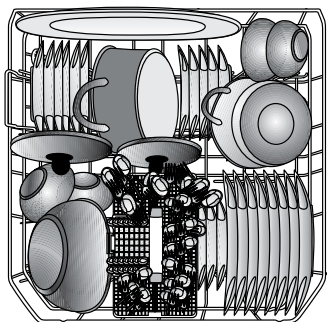


Fig. 4 Lower basket loading pattern

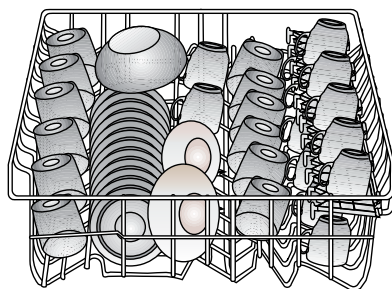


Fig. 5 Upper basket loading pattern

Loading the lower basket

Using the folding plate support rods

- These support rod sections fold away to give you additional space for accommodating saucepans and large bowls in the lower basket. You can fold away each section (1-4) separately or in any combination.
- To fold a support rod section away, simply press on its release lug, as shown in Fig. 7.
- If you want to use a section again, simply lift it up and click into place.

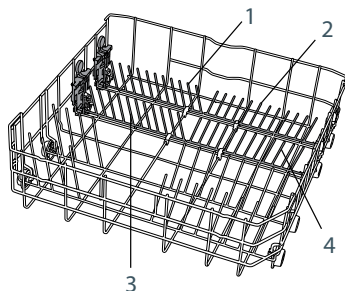


Fig. 6 Plate support rod sections

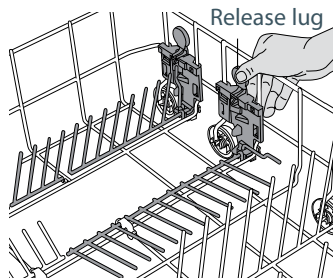


Fig. 7 Folding away a support rod section

Using the cutlery basket

The cutlery basket can be split into three sections and its grid inserts may also be removed. The smaller cutlery basket sections also fit in the upper basket (as shown in Fig. 21). Place long items such as ladles, cooking spoons etc. on the cup racks of the lower or upper basket.

To split the cutlery basket (Fig.9)

- 1 Turn the locking lug(s) at the base of the handle to the side, as shown.
- 2 Lift the smaller section(s) to release the gripping hooks (the two upper ones are on the main section and the two lower ones are on the smaller sections).

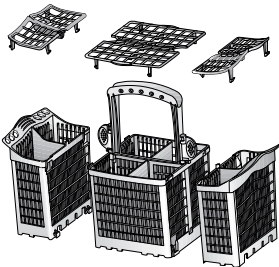


Fig. 8 Cutlery basket parts

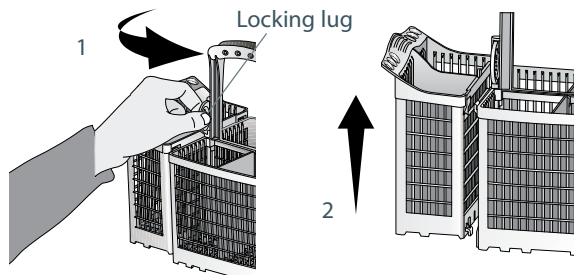


Fig. 9 Splitting the cutlery basket

To reassemble the cutlery basket

- 1 Ensure that the locking lugs are turned to the side.
- 2 Lower the section(s) into place and make sure that all four gripping hooks reengage.

Using the grid inserts

- The grid inserts prevent cutlery from nesting together.
- For larger items (e.g. wire whisks), the grid insert may be removed.

To remove and replace the grid inserts (Fig.11)

- To remove the grid insert of the smaller sections, put your fingers through their two biggest holes and gently press on the plastic grid towards yourself. This will release the gripping hooks.
- To remove the grid insert of the main section, locate the four gripping hooks on the grid insert and gently pull the plastic at the hooks upwards to release them.
- To replace the grid inserts, click them back into place, making sure that all gripping hooks reengage into the appropriate hole in the side of the cutlery basket.

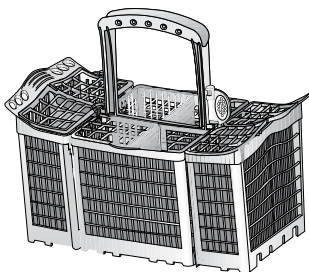


Fig. 10 Cutlery basket with grid inserts in place

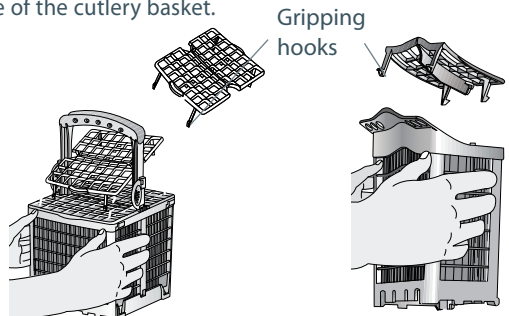


Fig. 11 Removing the grid inserts

Using the adjustable cup racks on the lower basket

- Use these racks for cups, glasses, long-handled cutlery and other utensils (see Fig.12). If you don't need them, you can easily fold them away. See the instructions below.
- These racks are mounted on a wire support which clips onto the rear side of the lower basket. If you decide not to use the cup racks at all, you may remove the entire wire support. See 'To remove and replace the cup racks' below.

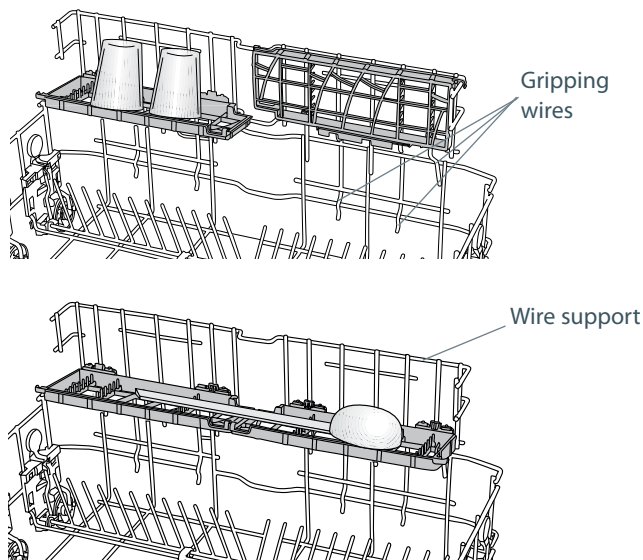


Fig. 12 Using the adjustable cup racks

To remove and replace the cup racks

- 1 Disengage the gripping wires at the feet of the wire support (see Fig. 12).
- 2 Pull the wire support up and away from the basket.
- 3 Reverse to replace, making sure that the gripping wires and basket interlock and the wire support clicks tightly into place.

To fold away a cup rack (Fig. 13)

- 1 Tilt the rack upwards at the angle shown.
 - 2 Slide the rack all the way up the wires.
 - 3 Tilt the rack further up until it is completely vertical.
 - 4 Push the rack all the way down and lock it into place with the small gripping hooks.
- When you want to use the rack again, repeat the above steps in reverse order.

20 Loading the dishwasher

To adjust the height of a cup rack (Fig. 14)

- To adjust the height of a cup rack, follow steps 1 to 3 above, then lower the rack back into a horizontal position, making sure that you keep it at the uppermost point of the wire support. The two plastic tabs on the back of the cup rack will sit on a support wire, keeping the rack securely in place.
- After adjusting the height, check that the spray arm can still move freely.

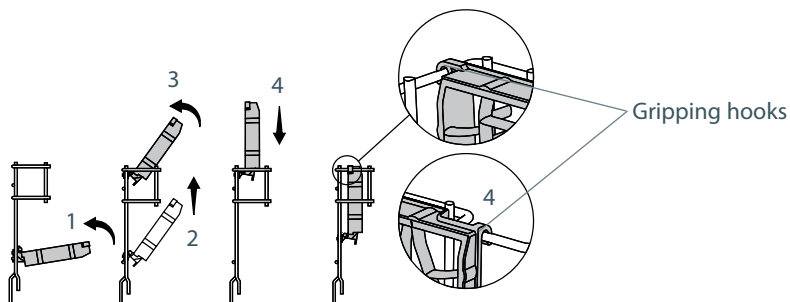


Fig. 13 Folding away a cup rack

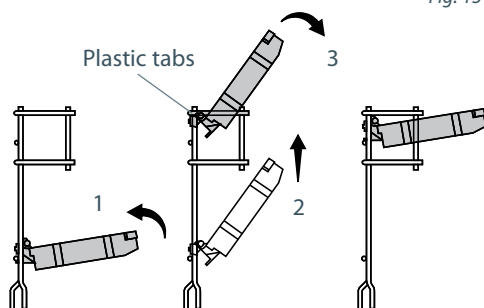


Fig. 14 Adjusting the height of a cup rack

Using the bottle support

Use this to give tall bottles extra stability during a wash programme. To remove, press the gripping wire feet apart so that they unhook from the basket wires, as shown in Fig.15.

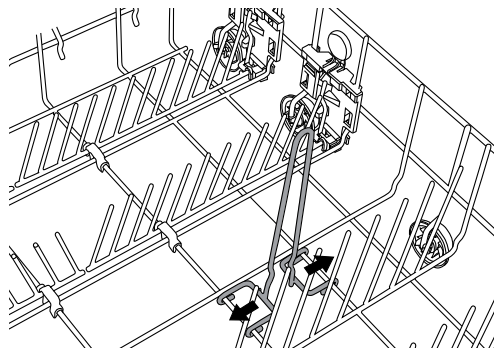
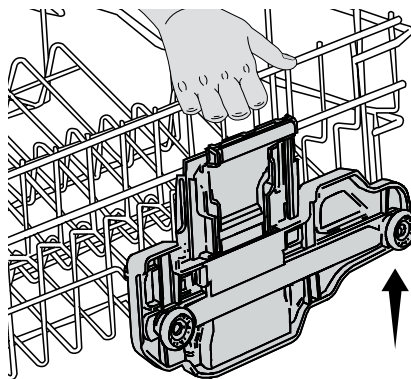


Fig. 15 Removing the bottle support

Loading the upper basket

Adjusting the height of the upper basket (Fig.16)

- You may lower or lift the upper basket to suit your needs, even with the basket fully loaded. You do not have to remove the basket from the dishwasher.
- The upper basket is factory-set to its lower position.



To lift the upper basket

- To lift the upper basket to its high position, hold it on one side and carefully pull it upwards. Repeat the same for the other side.

To lower the upper basket

- To lower the upper basket to its low position, hold the lever on one side and carefully lower the basket without releasing the lever. Repeat with the other side. Make sure that both levers reattach at the same height.

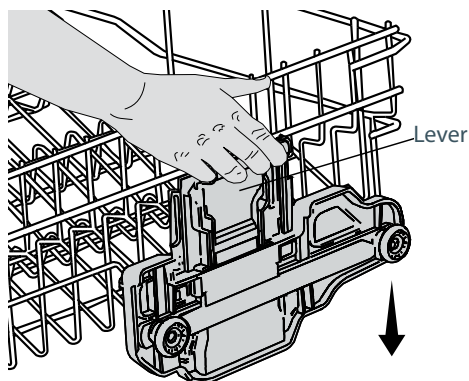


Fig. 16 Adjusting the height of the upper basket

Using the upper basket cup racks

Depending on the size of the glasses and cups, the rack height may be adjusted, as shown in Fig.17.

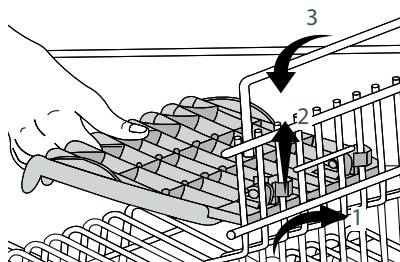


Fig. 17 Adjusting the upper basket cup racks

Using the glass support insert

- Lean glasses or goblets with long stems against the glass support insert (as shown in Fig. 18) or the cup rack, but never against other dishes or each other. Doing so may make them unstable during a wash programme, and they may get damaged.
- You can remove the glass support insert by pulling the gripping hooks away from the upper basket wire (see Fig. 19). This will give you more space for bigger items.

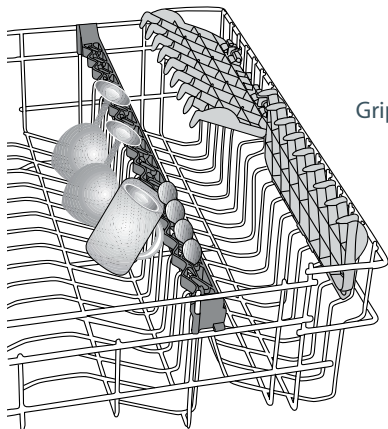


Fig. 18 Lean long-stem glasses against the glass support insert or the cup rack

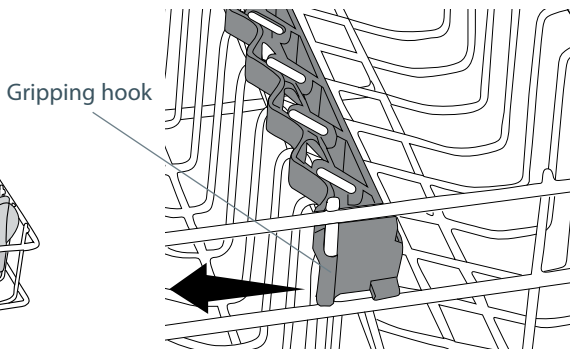


Fig. 19 Removing the glass support insert

Cutlery drawer and small sections of the cutlery basket

- A small cutlery drawer can be found underneath the upper basket. Use it for dessert spoons, small forks and knives.
- You can also use the smaller sections of the cutlery basket in the upper basket. Simply prop them against the basket wire, as shown in Fig. 21. Aligning the four indentations on the base of the cutlery basket section with the basket wires (see inset in Fig. 21) will provide extra stability.

Important!

Do not attempt to clip the gripping hooks of the cutlery basket section onto the upper basket wire. Doing so may damage the plastic gripping hooks.

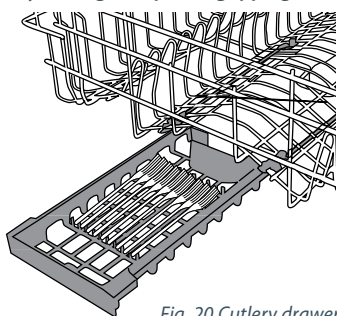


Fig. 20 Cutlery drawer

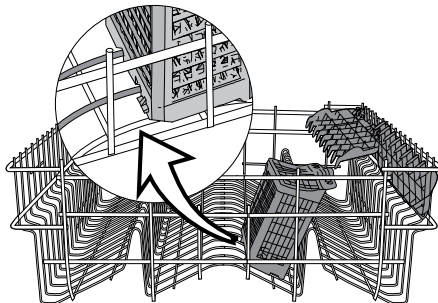


Fig. 21 Placing a cutlery basket section into the upper basket

The combination of high temperatures and dishwasher detergent may cause damage to some items if they are washed in the dishwasher. Remember, if in any doubt about any aspect concerning items washed in the dishwasher, follow the instructions from the manufacturer of the items, or wash the item by hand.

Cutlery and silverware

All cutlery and silverware should be rinsed immediately after use to prevent tarnishing caused by some foods. Silver items should not come into contact with stainless steel, eg other cutlery. Mixing these items can cause staining. Remove silver cutlery from the dishwasher and hand dry it immediately after the programme has finished.

Aluminium

Aluminium can be dulled by dishwasher detergent. The degree of change depends on the quality of the product.

Other metals

Iron and cast iron objects can rust and stain other items. Copper, pewter and brass tend to stain. Wash these items by hand.

Woodware

Wooden items are generally sensitive to heat and water. Regular use in the dishwasher may cause deterioration over time. If in doubt, wash by hand.

Glassware

Most everyday glassware is dishwasher safe. Crystal, very fine and antique glassware may etch that is, become opaque. You may prefer to wash these items by hand.

Plastic

Some plastic may change shape or colour with hot water. Check the manufacturer's instructions about washing plastic items. Washable plastic items should be weighed down so they do not flip over and fill with water or fall through the basket during the wash.

Decorated items

Most modern china patterns are dishwasher safe. Antique items, those with a pattern painted over the glaze, gold rims or hand-painted china may be more sensitive to machine washing. If in doubt, wash by hand.

Glued items

Certain adhesives are softened or dissolved in machine washing. If in doubt, wash by hand.

Note:

Do not wash items soiled with cigarette ash, candle wax, varnish, paints or chemicals.

Holiday time

If the dishwasher is not going to be used for some time, we recommend you ensure the baskets are empty. Leave the inside of the dishwasher clean. Leave the dishwasher door ajar to allow air to circulate.

Turn off both the power and water supply to the dishwasher.

24 Dishwasher standards test

Fisher & Paykel dishwashers are tested to AS/NZS 2007 standards for both wash and dry performance. The following are loading patterns and detergent quantities used for the dishwasher.

Wash programme	Auto
Detergent quantity	32.5g
Rinse aid setting	4
Maximum place setting	14

Notes:

- Ensure the upper basket is set to its lowest position.
- Remove the upper basket cutlery drawer and glass support insert, as well as the lower basket bottle support and cup rack wire support when conducting this test.
- To obtain optimum drying performance, open the door 50 mm ajar at the end of the wash programme.
- Use the cutlery basket with all grid inserts fitted.

Recommended loading pattern

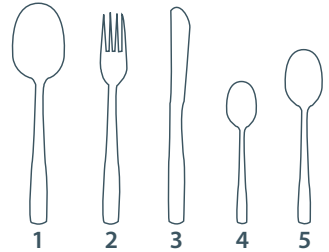
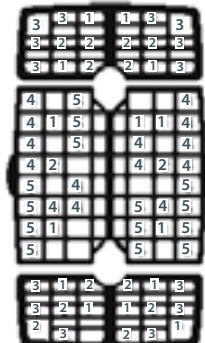
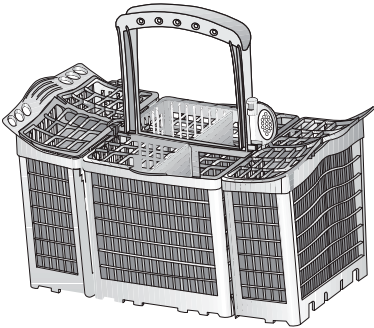


Fig. 22 Recommended loading pattern – cutlery basket

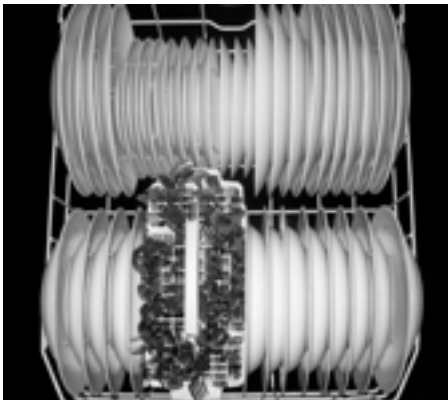


Fig. 23 Recommended loading pattern – lower basket



Fig. 24 Recommended loading pattern – upper basket

- We highly recommend using liquid rinse aid regularly to achieve the best drying results. Rinse aid gives a streak-free, sparkling clean look to glass and chinaware. In addition, it prevents metals from tarnishing.
- **If you use detergents or tablets that contain rinse aid, we do not recommend using liquid rinse aid.**

To fill the rinse aid dispenser (Fig. 25)

- 1 Open the rinse aid dispenser by pressing the locking lever.
- 2 Carefully pour in rinse aid to the MAX mark. Close the lid until it clicks.
- 3 Carefully wipe up any rinse aid spillages to prevent excess foaming.

To modify the rinse aid setting (Fig. 25)

The dose of the rinse aid is factory-set to 3. You may modify this setting by turning the setting dial. If you see

- watermarks on the dishes: set dosage higher.
- streaks on the dishes: set dosage lower.

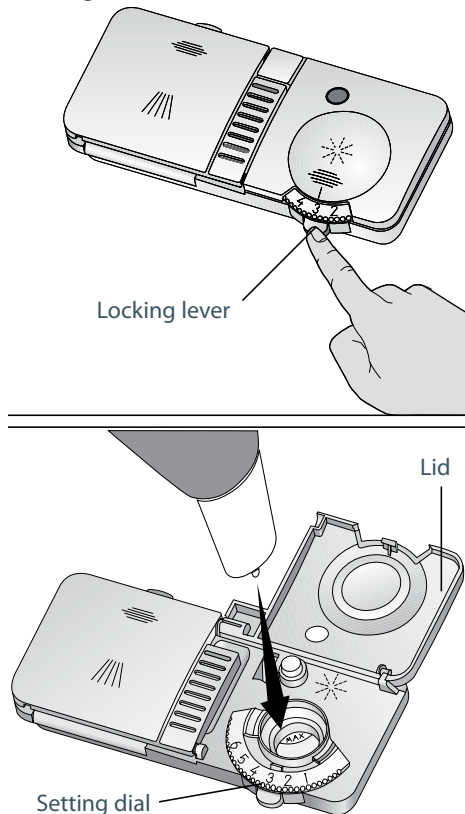


Fig. 25 Rinse aid dispenser

Important!

- *Dishwasher detergents are strongly alkaline and can be dangerous if swallowed.*
- *Avoid contact with skin and eyes.*
- *Keep children and infirm persons away from the dishwasher when the door is open.*
- *Check that the detergent receptacle is empty after the completion of the wash cycle - failure to do so could result in poisoning.*
- *Never sprinkle or pour detergent directly onto any item in the dishwasher.*
- *Hand-washing liquids, soap, laundry detergents or disinfectants will damage your dishwasher.*
- *Only use detergents formulated for use in dishwashers.*

How much detergent to use

- The lines on the inside of the detergent dispenser will help you measure the correct amount of detergent.
- The detergent dispenser holds a total of 40 cm³ of detergent.
- When the dishwasher is fully loaded and the dishes are very dirty, we recommend filling the detergent dispenser up to the 25 cm³ mark.
- When the dishes are less dirty, it is generally sufficient to fill the dispenser up to the 15 cm³ mark.
- If you are using tablet detergent, one tablet is enough.

Filling the detergent dispenser (Fig. 26)

- 1 If not already open, open the detergent dispenser by pushing its latch to the right. The lid will snap open.
- 2 Put the detergent into the detergent dispenser.
- 3 Close the lid back until it clicks.

Tips for using detergent

- Keep the opened detergent packages in a cool and dry place where children cannot reach.
- Put the detergent into the detergent dispenser just before running a wash programme.
- Excessive usage of powder detergents can cause the detergent not to dissolve completely and can also scratch glassware.

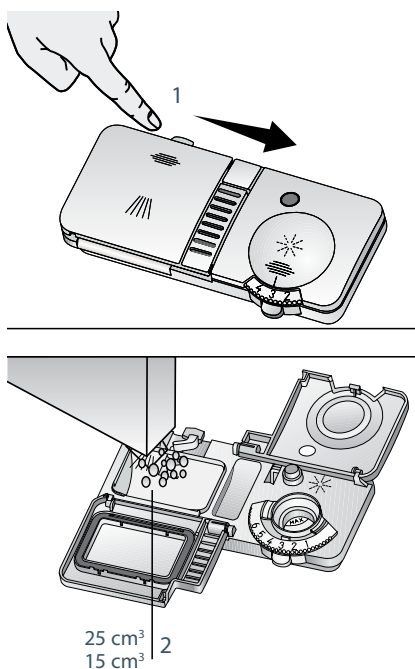


Fig. 26 Filling the detergent dispenser

General

- Clean your dishwasher regularly for best performance and to reduce the risk of problems occurring.
- Always disconnect the dishwasher plug from the power outlet and turn off the water supply before cleaning.
- Use a gentle household cleaner for the outside and the door seals.
- Clean the control panel only with a clean moist cloth.

Cleaning the filters

Clean the filters and spray arms regularly. Dirty filters will have a negative effect on the cleaning results.

To remove the filters (Fig. 27)

- 1 Remove the lower basket from the dishwasher.
- 2 Twist the filter cylinder anticlockwise to unlock the bayonet mechanism and pull it up and out .
- 3 Remove the main filter plate, as shown.
- 4 Press on the two tongues at the top of the cylinder and remove the coarse filter from the micromesh filter.
- 5 Clean all three filters thoroughly under running water. Use a brush if necessary.
- 6 Replace the main filter plate.
- 7 Reassemble the filter cylinder and place it back into the hole in the main filter plate. Twist clockwise until it clicks into place and the arrows on the cylinder and the main filter plate align.

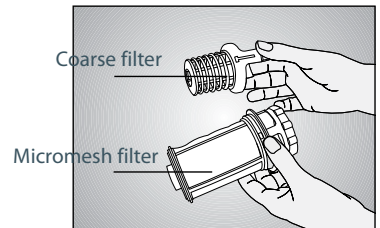
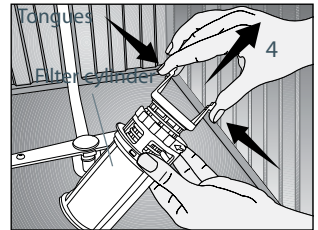
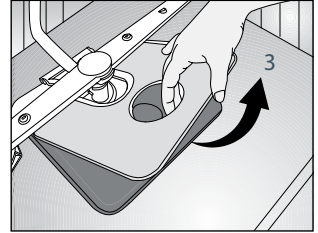
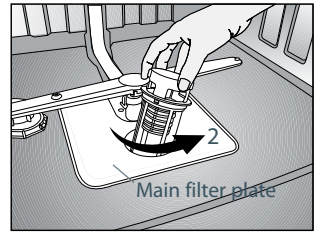


Fig. 27 Removing the filters

Cleaning the spray arms

We recommend cleaning the spray arms on a regular basis, to remove food particles that may block the nozzles.

To remove the spray arms (Fig. 28)

- 1 Remove the lower basket from the dishwasher.
- 2 Remove the lower spray arm by pulling it upwards, as shown.
- 3 Loosen the locking nut of the upper spray arm by twisting it clockwise and remove the spray arm by pulling downwards, as shown.
- 4 Clean the spray arms under running water.
- 5 Replace the spray arms, ensuring that the locking nut of the upper spray arm is fastened tight and the lower spray arm clicks into place.

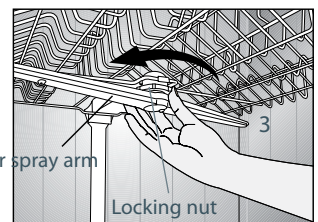
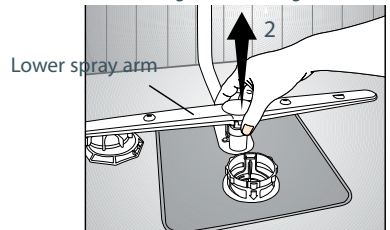


Fig. 28 Removing the spray arms

28 Troubleshooting

Problem	Possible cause	What to do
Unclean dishes	Improper loading or dishwasher overloaded.	Load the dishwasher as suggested in the section 'Loading your dishwasher'.
	Spray arms are not turning.	Check that the spray arms can move freely and remove any obstructions.
	Clogged filters.	Clean the filters following the instructions in 'Care and cleaning'.
	Filters are not positioned correctly.	Check that the filters are correctly positioned. See 'Care and cleaning'.
	Spray arm nozzles are clogged.	Clean the spray arms following the instructions in 'Care and cleaning'.
	Detergent is moist or clumping.	Store detergents in a dry place and ensure the lid of the detergent container is securely closed.
	Too little detergent.	Increase the amount of detergent.
	Too little rinse aid.	Increase the amount of rinse aid or refill the rinse aid dispenser.
	The lid of the detergent dispenser remained open.	Always ensure that you close the detergent dispenser lid after adding the detergent. You should be able to hear a click.
Using cutlery with a low-quality coating.	Cutlery of this type is not suitable for washing in dishwashers.	
The dishes are not drying	Improper loading or dishwasher overloaded.	Load the dishwasher as suggested in the section 'Loading your dishwasher'.
	Too little rinse aid.	Increase the amount of rinse aid or refill the rinse aid dispenser.

Problem	Possible cause	What to do
The dishes are not drying	Dishes being removed too early.	Do not empty your dishwasher immediately after washing. Open the door slightly so that the steam can escape. Begin unloading the dishwasher when the dishes are warm to the touch. Empty the lower basket first. This prevents water from dripping off dishes in the upper basket.
Tea, coffee, or other stains	Detergent is moist or clumping.	Bleaches in detergents lose their efficiency when stored under unfavourable conditions. Store detergents in a dry place. Ensure the detergent container is securely fastened.
Streaks on glasses or a cloudy appearance	Too little rinse aid.	Increase the amount of rinse aid or refill the rinse aid dispenser.
Odour	Normal "new appliance" smell.	The smell will disappear after a few wash programmes.
	Filters are dirty.	Clean the filters following the instructions in 'Care and cleaning'.
	Dirty dishes standing in the dishwasher for several days.	Remove heavy soiling under running water. Close the door to prevent odours from developing.
Rust stains, surface damage	Food leftovers are left on the dishes for too long.	Remove heavy soiling under running water.
	Cutlery made of low-grade stainless steel.	Rust on such items cannot be avoided. Cutlery or dishes of this type are not suitable for washing in the dishwasher.
	Crockery with rust stains.	Rusty dishes may "infect" other items. Cutlery or dishes of this type are not suitable for use in dishwashers.

Problem	Possible cause	What to do
Detergent residue remains in the dispenser	Moisture in the detergent dispenser.	Ensure that the detergent dispenser is dry before filling it.
	The lid of the detergent dispenser does not open.	When loading the dishwasher, take care not to place large items in front of the dispenser.
	Detergent is moist or clumping.	Store detergents in a dry place. Ensure the detergent container is securely fastened.
	Spray arm nozzles are clogged.	Clean the spray arms following the instructions in 'Care and cleaning'.
The dishes are not drying	Improper loading or dishwasher overloaded.	Load the dishwasher as suggested in the section 'Loading your dishwasher'.
	Too little rinse aid.	Increase the amount of rinse aid or refill the rinse aid dispenser.
Decoration fades	Fading of decoration on glassware or porcelain.	Glassware, porcelain and cutlery of this type are not suitable for washing in the dishwasher.
Scratched dishes	Items made of aluminium.	Dishes and cutlery of this type are not suitable for washing in dishwashers.
	Detergents are being stored under unfavourable conditions.	Store detergents in a dry place. Close the lid of the container carefully.
	Overloaded baskets.	Take care to ensure that individual glasses and dishes do not touch each other. Loading dishes too closely together may cause scratching.
Dishes break	Improper loading.	Load the dishwasher as suggested in the section 'Loading your dishwasher'.
	Overloaded baskets.	Dishes in an overloaded basket may knock against each other and break. Load the dishwasher as suggested in the section 'Loading your dishwasher'.

Problem	Possible cause	What to do
Foam	The dishes were pre-washed by hand with a large amount of detergent.	Dishes do not need to be prewashed. Remove large food scraps from the dishes before loading.
	Spilled rinse aid.	If rinse aid has been spilled during refilling, wipe up the excess using a paper towel or sponge.
	The cover of the rinse aid dispenser was not closed.	Always take care to ensure that the lid is closed after refilling the rinse aid dispenser.
Water remains in the dishwasher after the rinse cycle	Clogged filters.	Clean the filters following the instructions in 'Care and cleaning'.
	Drain hose bent or blocked.	Ensure that the drain hose is properly installed.

Manufacturer's warranty

When you purchase any new Fisher & Paykel whiteware Product you automatically receive a two year Manufacturer's Warranty covering parts and labour for servicing.

Fisher & Paykel undertakes to

Repair or, at its option, replace without cost to the owner either for material or labour any part of the Product, the serial number of which appears on the Product, which is found to be defective within TWO YEARS of the date of purchase.

This warranty DOES NOT cover

- A Service calls which are not related to any defect in the Product. The cost of a service call will be charged if the problem is not found to be a Product fault. For example:
 1. Correct the installation of the product.
 2. Instruct you how to use the product.
 3. Replace house fuses or correct house wiring or plumbing.
 4. Correcting fault(s) caused by the user.
- B Defects caused by factors other than:
 1. Normal domestic use or
 2. Use in accordance with the Product's User Guide.
- C Defects to the Product caused by accident, neglect, misuse or Act of God.
- D The cost of repairs carried out by non-authorized repairers or the cost of correcting such unauthorised repairs.
- E Normal recommended maintenance as set out in the Product's User Guide.
- F Repairs when the appliance has been dismantled, repaired or serviced by other than a Fisher & Paykel AUTHORISED SERVICE CENTRE or the selling dealer.
- G Pick up and delivery.
- H Transportation or travelling costs involved in the repair when the product is installed outside the Fisher & Paykel AUTHORISED SERVICE CENTRE'S normal service area.

Service under this manufacturer's warranty must be provided by an Authorised Service Agent (refer to the Customer care section for contact details). Such service shall be provided during normal business hours. This warranty certificate should be shown when making any claim.

Note:

This Warranty is an extra benefit and does not affect your legal rights and applies only to product purchased in New Zealand and Australia.

*Please keep this User Guide in a safe place.
Do not return to Fisher & Paykel.*

Customer care



Check the things you can do yourself. Refer to your User Guide and check:

- 1 your appliance is correctly installed
- 2 you are familiar with its normal operation

If after checking these points you still need assistance please refer to the following:

In New Zealand If you need assistance...*

Call your Fisher & Paykel retailer who is trained to provide information on your appliance, or if we can be of any further help, please contact our Customer Care Centre,
Toll Free - 0800 FP CARE or 0800 37 2273 Fax: (09) 273 0656.

Email: customer.care@fp.co.nz

Postal address: P.O.Box 58732,
Greenmount, Auckland.

If you need service...*

Fisher & Paykel has a network of independent Fisher & Paykel Authorised Service Centres whose fully trained technicians can carry out any service necessary on your appliance. Your dealer or our Customer Care Centre can recommend an Authorised Service Centre in your area.

In Australia If you need assistance call...*

Call the Fisher & Paykel Customer Care Centre and talk to one of our Customer Care Consultants.

Toll Free - 1300 650 590

Fax: (07) 3826 9298

Email: customer.care@fp.com.au

Postal Address: PO Box 798, Cleveland QLD 4163

If you need service...*

Fisher & Paykel Australia Pty Ltd has a network of independent Fisher & Paykel Authorised Service Centres whose fully trained technicians can carry out any service necessary on your appliance. Our Customer Care Centre can recommend an Authorised Service Centre in your area.

*If you call or write, please provide: name, address, model number, serial number, date of purchase and a description of the problem. This information is needed in order to better respond to your request for assistance.









Copyright © Fisher & Paykel 2008. All rights reserved.

The product specifications in this booklet apply to the specific products and models described at the date of issue. Under our policy of continuous product improvement, these specifications may change at any time. You should therefore check with your Dealer to ensure this booklet correctly describes the product currently available.

www.fisherpaykel.co.nz
www.fisherpaykel.com.au

NZ AU
Dishwasher user guide
Published: 06/2008
F&P Part No. 599522 C
17 1242 01 00-02

Free Manuals Download Website

<http://myh66.com>

<http://usermanuals.us>

<http://www.somanuals.com>

<http://www.4manuals.cc>

<http://www.manual-lib.com>

<http://www.404manual.com>

<http://www.luxmanual.com>

<http://aubethermostatmanual.com>

Golf course search by state

<http://golfingnear.com>

Email search by domain

<http://emailbydomain.com>

Auto manuals search

<http://auto.somanuals.com>

TV manuals search

<http://tv.somanuals.com>