

**Fisher & Paykel**

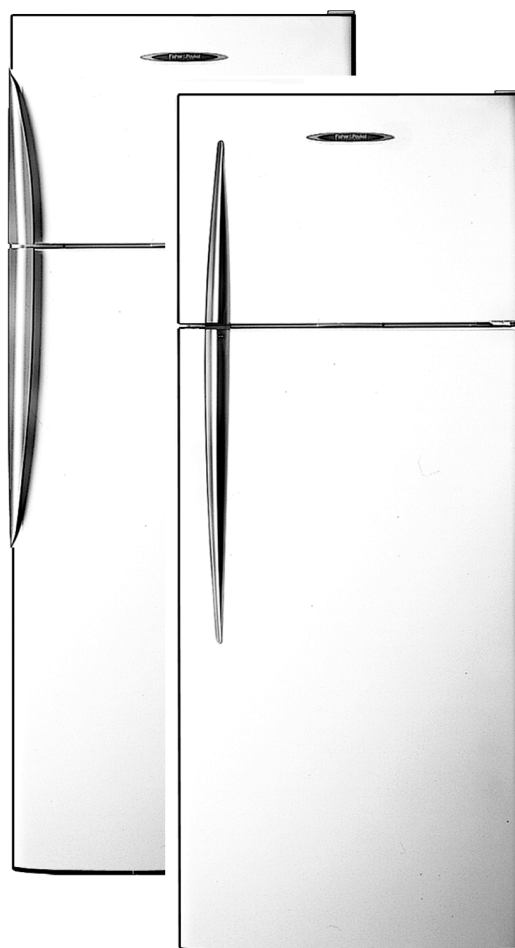
**Parts Manual**

# **Electronic 635 Refrigerator / Freezer**

## **Models**

E331TL E331TR E372BL  
E372BR E381TL E381TR  
E402BL E402BR E411TL  
E411TR E415HL E415HR

**Series  
B**



**517715**



## PRODUCTS

**Brand** Fisher & Paykel, Frigidaire, Kelvinator, Shacklock  
**Voltage** 220-240V 50Hz, 220V 60Hz\*, 110-115V 60Hz+, 230-240V 50Hz

Model	Code									
E331TL	11081	11131	11491	11587						
E331TR	11057	11132	11233	11239	11240	11241	11242	11243	11244	
	11245	11247	11248	11249	11250	11251	11252	11253	11342*	
	11588	11647	11716							
E372BL	11085	11133	11502	11589						
E372BR	11069	11134	11237	11255	11256+	11257	11258	11259	11261	
	11262	11263*	11541*	11555	11590	11645	11695	11723	12381+	
E381TL	11082	11135	11493	11591						
E381TR	11060	11136	11234	11264	11265	11266	11267	11268	11269	
	11271	11272	11273	11274	11275	11276	11277	11278	11280	
	11282	11542*	11561	11563	11564	11592	11646	11718		
E402BL	11086	11137	11503	11593						
E402BR	11072	11138	11238	11284	11285	11286	11287	11289	11290	
	11291	11292	11293	11295	11296	11297	11299	11300	11301*	
	11302+	11543*	11565	11566	11594	11642	11696	11706	11724	
	11739	12367+								
E411TL	11084	11139	11497	11595						
E411TR	11066	11124	11235	11246*	11320	11321	11322	11323	11324	
	11325	11326	11327	11328	11330	11331	11332	11334	11335	
	11337	11339	11340*	11341+	11343+	11545*	11558	11567	11568	
	11571	11596	11644	11707	11736	12368+				
E415HL	11083	11125	11501	11597						
E415HR	11063	11126	11236	11303	11304	11305	11306	11307	11308	
	11309	11310	11311	11312	11314	11315	11316	11319+	11598	
	11643	11719	12369+							

Fisher & Paykel Customer Services  
 PO Box 798  
 19 Enterprise St  
 Cleveland, Queensland 4163  
 Australia  
 Tel: (07) 3826 9122  
 Fax: (07) 3826 9164  
 Email: parts@fp.com.au  
 A.C.N 003 335 171

Fisher & Paykel Ltd  
 Whiteware Spare Parts  
 PO Box 14-148, Panmure.  
 80 Springs Rd, East Tamaki  
 New Zealand  
 Tel: (09) 272 0261  
 Fax: (09) 272 0219  
 Email: parts@fp.co.nz



## CONTENTS

DOORS TOP FZR-WITH BOW METAL HANDLE .....	6
DOORS BTM FZR-WITH BOW METAL HANDLE .....	8
DOORS TOP FZR-WITH CURVED PLASTIC HANDLE.....	10
CABINET TOP FREEZER.....	18
CABINET BOTTOM FREEZER .....	22
DRAWER ASSEMBLY HUMIDITY .....	26
FAN AND EVAPORATOR ASSEMBLIES .....	28
ACTV SMART ST4 TERMINALS PLUGS & SOCKETS .....	32
ELECTRONIC MODULE AND DUCT COVERS.....	34
COMPRESSOR AND POWER MODULE.....	36
NOTES .....	41
REFRIGERATION ABBREVIATION KEY .....	43

### GUIDE TO USING THIS MANUAL

The model(s) and/or series covered by this manual are listed on the front cover.

The information detailed in this manual is subject to change without notice, the latest version is indicated by the reprint date and replaces any earlier editions.

The front cover picture shows the type of product and may not necessarily be an exact image of the models covered by the manual.

### Part References

Where a Model is shown, the part is exclusive to the Model(s) stated. Common parts relating to a part reference are applicable to all other Model(s) which use the particular item.

### Kit Parts

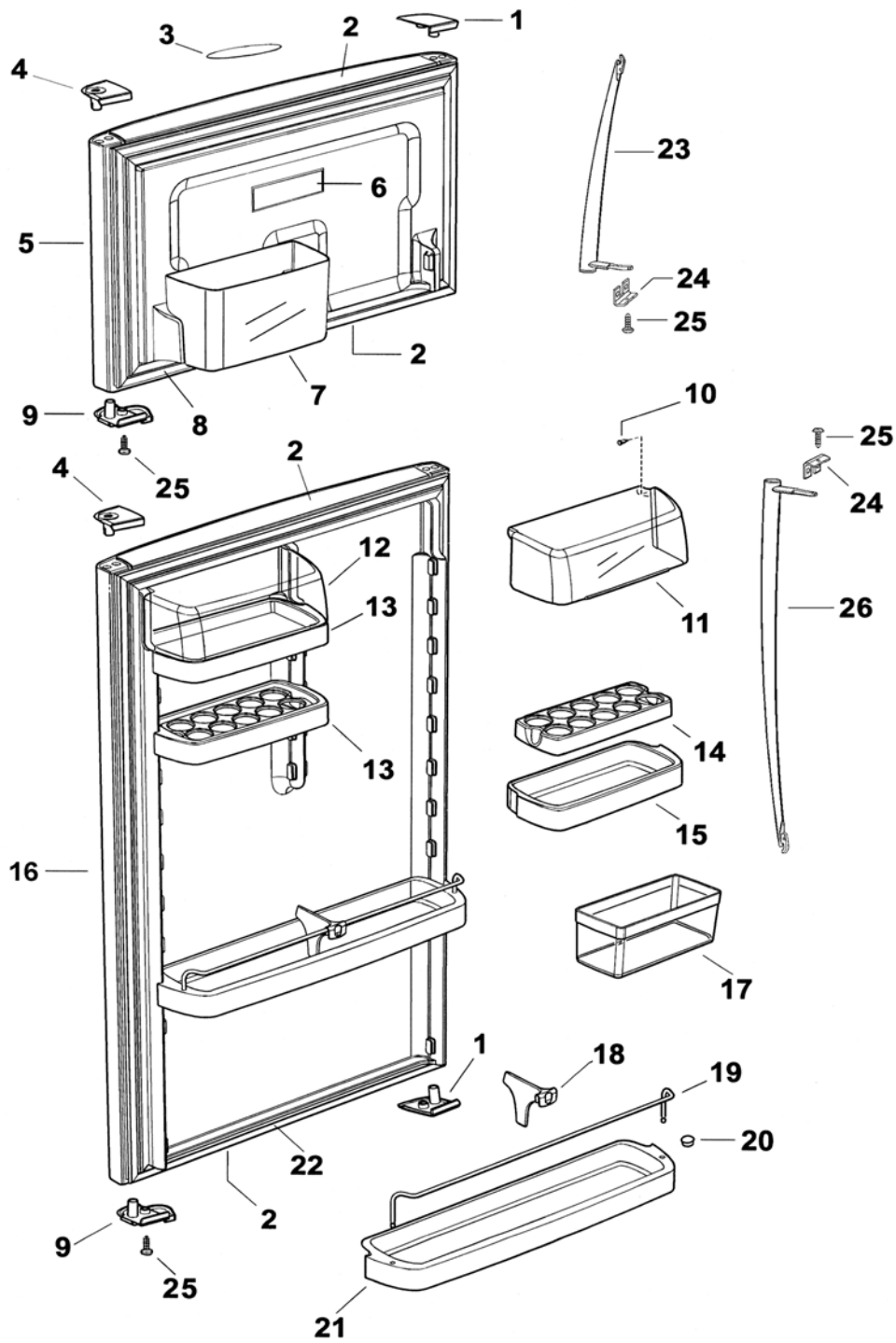
The components shown in *italics* are those parts in the kit which are available also as separate items. In addition, some parts may be supplied with this kit which are not available as separate items and are therefore not listed in this manual.

All details relating to Technical Bulletins or Notes are shown on a dedicated page. The Technical Bulletin Number shown relates to the bulletin version which is produced for New Zealand Service Centres.

### Parts List Key

NOT USED	As a part, indicates the diagram part reference is not used in this manual.
#	Beside the part number, indicates the part is no longer available.
<i>italics</i>	Kit components shown in <i>italics</i> are also available separately.
*	Indicates a technical bulletin or note exists for the part or part reference.
NI	As a part reference, indicates the part is not illustrated on the diagram.

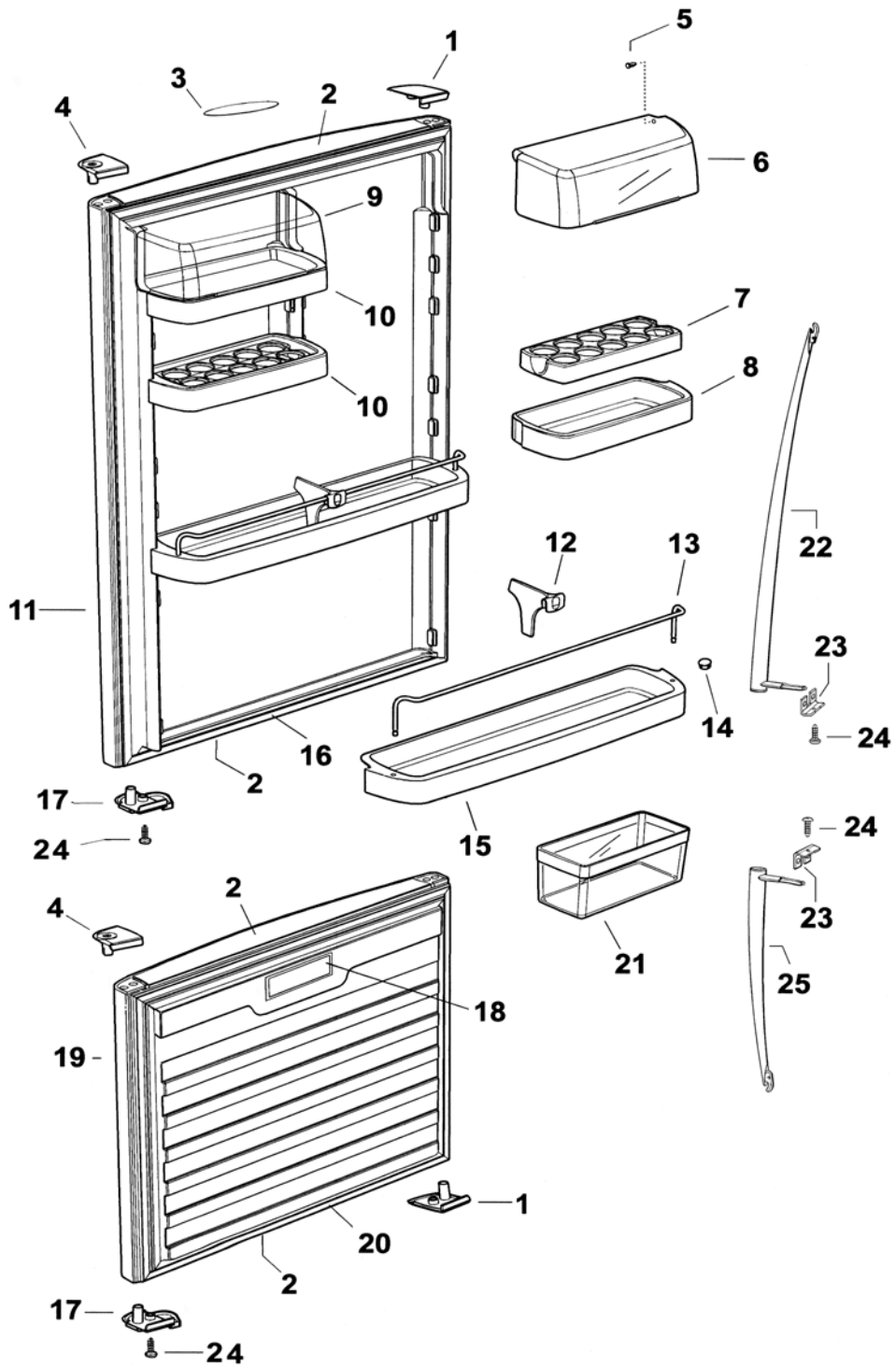
# DOORS TOP FZR-WITH BOW METAL HANDLE



## DOORS TOP FZR-WITH BOW METAL HANDLE

REF	PART	DESCRIPTION	MODEL
1	880346	COVER ENDCAP LHT RHB WH 635	
2	881004	CAP DOOR END OUTER WH 635	
3	881050	NAMEPLATE F&P ACTIVE SMART	
4	880343	BEARING HINGE LHB RHT WH 635	
5	315121P	DOOR FC WW635X442 RH BS HANP/C	
		<i>877955 MAGNET DOOR ALARM</i>	
		<i>881004 CAP DOOR END OUTER WH 635</i>	
6	874706	LABEL FREEZER GUIDE RF BLUE	
7	874364	BIN DR FC T HSM876507 635 BLUE	
	876507	BIN DOOR FC 'T' 635	
8	876702P	PACK GASK ASSY PUSHIN 635X 416	
9	881453	BEARING DR CLOSING RH WH 635	
10	871123	PLUG/PIN HINGE DAIRY COVER	
11	315017	KIT COVER DOOR SHELF 635	
		<i>876503 COVER DOOR SHELF CLEAR LH</i>	
		<i>876504 COVER DOOR SHELF CLEAR RH</i>	
12	876503	COVER DOOR SHELF CLEAR LH	
	881188	COVER DOOR SHELF 635 LH HSM 87	
13	874973	SHELF DOOR SML LH 635 WHITE	
14	876719	SHELF EGG RACK 635	
15	874974	SHELF DOOR SML RH 635 WHITE	
16	315124P	DOOR PC WW635X929 RH BS HANP/C	E331TR
		<i>877955 MAGNET DOOR ALARM</i>	
		<i>881004 CAP DOOR END OUTER WH 635</i>	
	315125P	DOOR PC WW635X1099RH BS HANP/C	E381TR
		<i>877955 MAGNET DOOR ALARM</i>	
		<i>881004 CAP DOOR END OUTER WH 635</i>	
	315120P	DOOR PC WW635X1199RH BS HANP/C	E411TR
16		<i>877955 MAGNET DOOR ALARM</i>	
		<i>881004 CAP DOOR END OUTER WH 635</i>	
	315127P	DOOR PC WW635X748 RH BS HANP/C	E415HR
		<i>877955 MAGNET DOOR ALARM</i>	
		<i>881004 CAP DOOR END OUTER WH 635</i>	
17	871129	BIN EGG/ICE MOULD ALL BRANDS	
18	883121	DIVIDER BOTTLE RAIL WHITE	
	883122	DIVIDER BOTTLE RAIL HS BLUE	
19	882651	RAIL BOTTLE SUPPORT 635	
20	876281	PLUG DOOR SHELF WHITE	
21	874361	SHELF DR LGE HSM874961 BLUE 63	
	874961	SHELF DOOR LGE 635 WHITE MOULD	
22	876706P	PACK GASK ASSY PUSHIN 635X 903	E331TR
	876707P	PACK GASK ASSY PUSHIN 635X1075	E381TR
	876708P	PACK GASK ASSY PUSHIN 635X1175	E411TR
	876705P	PACK GASK ASSY PUSHIN 635X 721	E415HR
23	881499	HANDLE DR SHORT BOW P/COAT SILV	
24	881391	PLATE HANDLE SUPPORT PLATED	
25	881044	SCREW #8X22 WAFER PHIL STZP	
26	881484	HANDLE DR LONG BOW P/COAT SILV	

# DOORS BTM FZR-WITH BOW METAL HANDLE

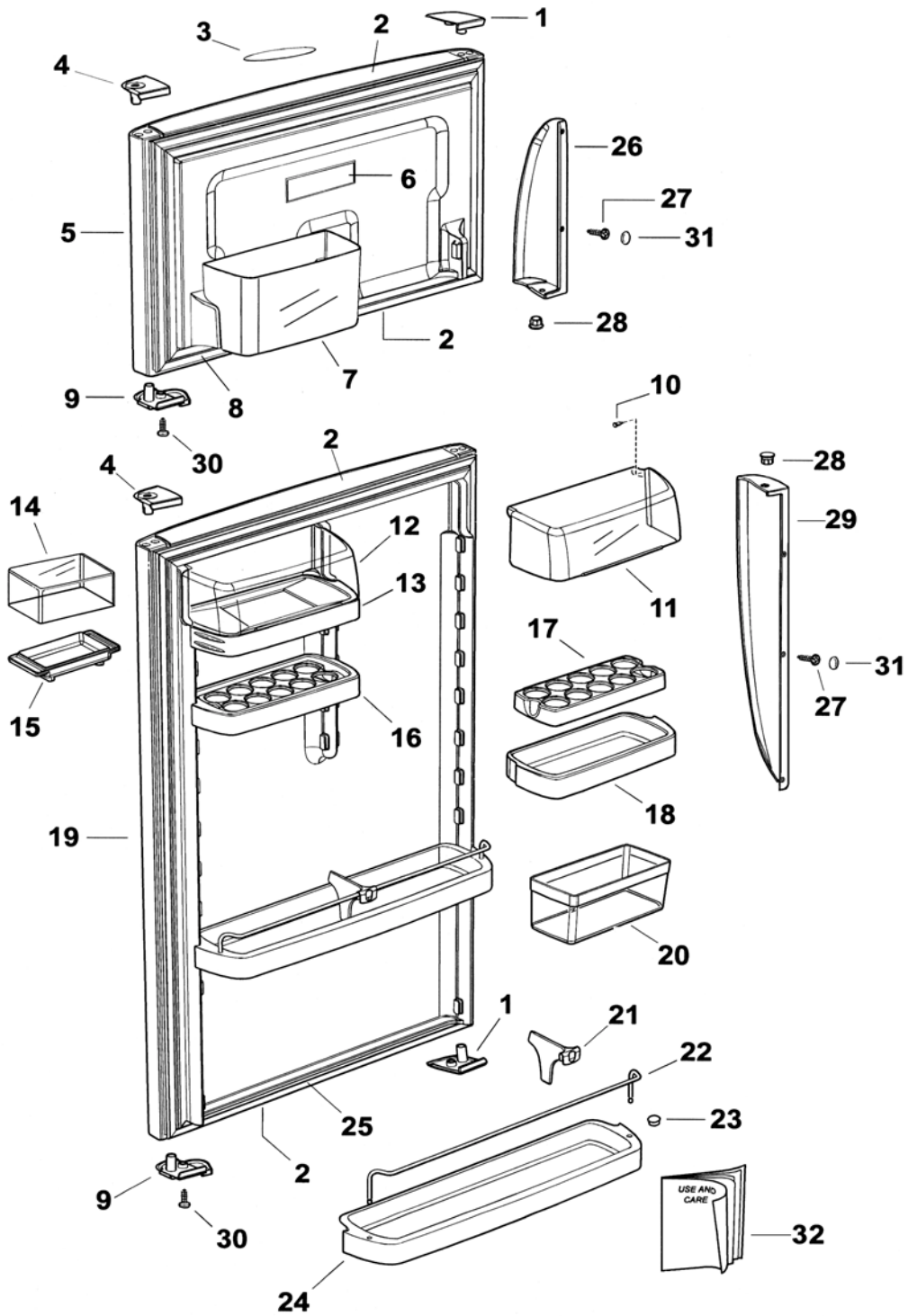




**DOORS BTM FZR-WITH BOW METAL HANDLE**

<b>REF</b>	<b>PART</b>	<b>DESCRIPTION</b>	<b>MODEL</b>
1	880346	COVER ENDCAP LHT RHB WH 635	
2	881004	CAP DOOR END OUTER WH 635	
3	881050	NAMEPLATE F&P ACTIVE SMART	
4	880343	BEARING HINGE LHB RHT WH 635	
5	871123	PLUG/PIN HINGE DAIRY COVER	
6	315017	KIT COVER DOOR SHELF 635	
		<i>876503 COVER DOOR SHELF CLEAR LH</i>	
		<i>876504 COVER DOOR SHELF CLEAR RH</i>	
7	876719	SHELF EGG RACK 635	
8	874974	SHELF DOOR SML RH 635 WHITE	
9	876503	COVER DOOR SHELF CLEAR LH	
10	874973	SHELF DOOR SML LH 635 WHITE	
11	315118P	DOOR PC WW635X1029RH BS HANP/C	
		<i>877955 MAGNET DOOR ALARM</i>	
		<i>881004 CAP DOOR END OUTER WH 635</i>	
12	883121	DIVIDER BOTTLE RAIL WHITE	
	883122	DIVIDER BOTTLE RAIL HS BLUE	
13	882651	RAIL BOTTLE SUPPORT 635	
14	876281	PLUG DOOR SHELF WHITE	
15	874361	SHELF DR LGE HSM874961 BLUE 63	
	874961	SHELF DOOR LGE 635 WHITE MOULD	
16	873386P	PACK GASK ASSY PUIN 635X1003LG	
17	881453	BEARING DR CLOSING RH WH 635	
18	874706	LABEL FREEZER GUIDE RF BLUE	
19	315119P	DOOR FC WW635X612 RH BS HANP/C	
		<i>877955 MAGNET DOOR ALARM</i>	
		<i>881004 CAP DOOR END OUTER WH 635</i>	
20	876703P	PACK GASK ASSY PUSHIN 635X 585	
21	871129	BIN EGG/ICE MOULD ALL BRANDS	
22	881484	HANDLE DR LONG BOW P/COAT SILV	
23	881391	PLATE HANDLE SUPPORT PLATED	
24	881044	SCREW #8X22 WAFER PHIL STZP	
25	881499	HANDLE DR SHORT BOW P/COAT SILV	

# DOORS TOP FZR-WITH CURVED PLASTIC HANDLE



**DOORS TOP FZR-WITH CURVED PLASTIC HANDLE**

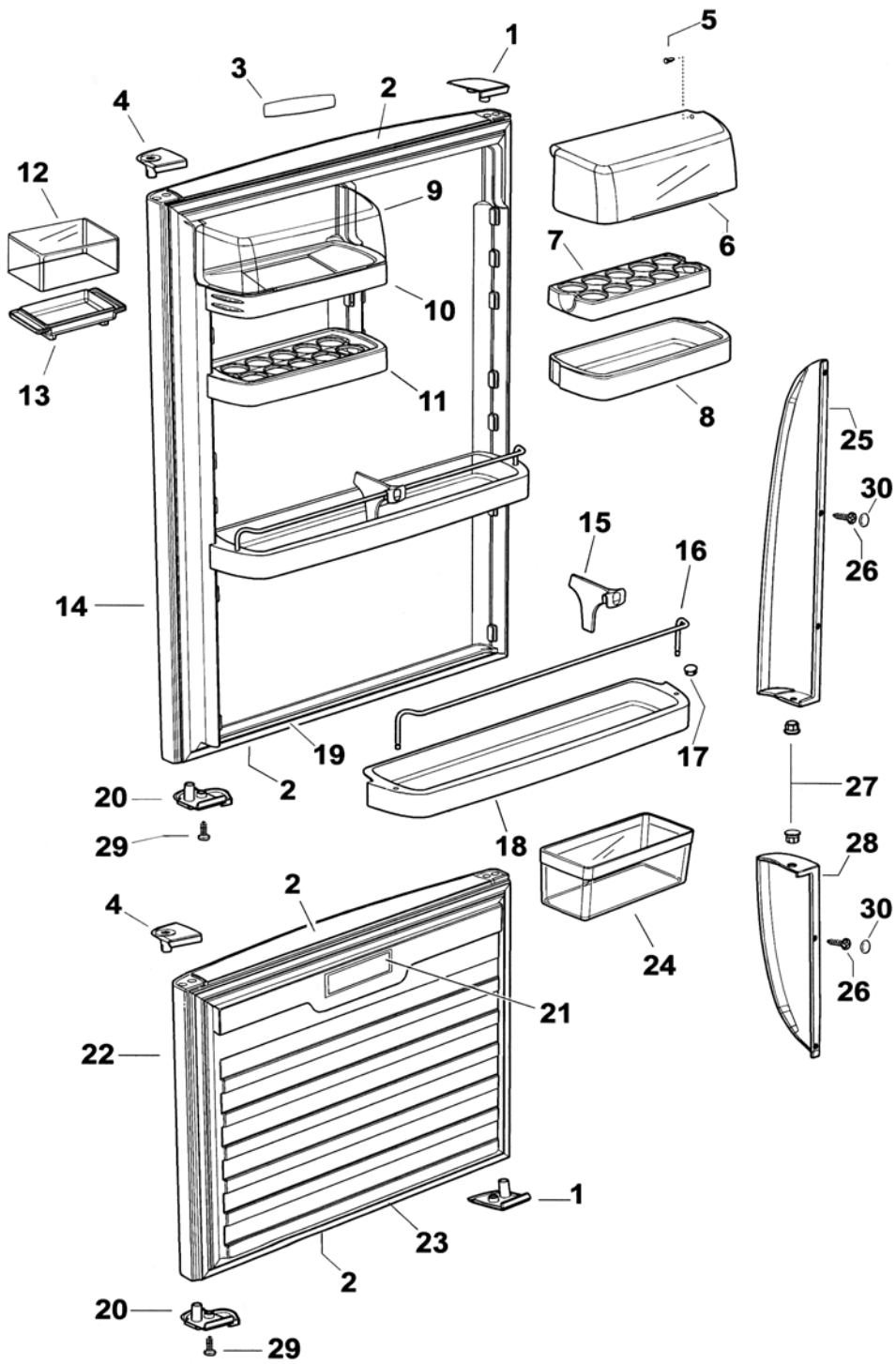
REF	PART	DESCRIPTION	MODEL
1	880345	COVER ENDCAP LHB RHT WH 635	
	880346	COVER ENDCAP LHT RHB WH 635	
	880664	COVER ENDCAP LHB RHT SA 635	
	880665	COVER ENDCAP LHT RHB SA 635	
2	881004	CAP DOOR END OUTER WH 635	
	881007	CAP DOOR END OUTER SA 635	
3	881050	NAMEPLATE F&P ACTIVE SMART	
	881051	NAMEPLATE KELV BY F&P	
	881052	NAMEPLATE FRIG BY F&P	
	881054	NAMEPLATE KELV	
	881055	NAMEPLATE FRIG	
	881056	NAMEPLATE SHACK	
	881478	NAMEPLATE KELV EXPORT	
	881479	NAMEPLATE FRIG EXPORT	
4	880343	BEARING HINGE LHB RHT WH 635	
	880344	BEARING HINGE LHT RHB WH 635	
	880662	BEARING HINGE LHB RHT SA 635	
	880663	BEARING HINGE LHT RHB SA 635	
5	* 311024P	DOOR FC WH635X 443 BS 'T'	
	877955	MAGNET DOOR ALARM	
	881004	CAP DOOR END OUTER WH 635	
	* 312028P	DOOR FC SA635X 443 BS	
	877955	MAGNET DOOR ALARM	
	881007	CAP DOOR END OUTER SA 635	
6	874706	LABEL FREEZER GUIDE RF BLUE	
7	874364	BIN DR FC T HSM876507 635 BLUE	
	876507	BIN DOOR FC 'T' 635	
8	876702P	PACK GASK ASSY PUSHIN 635X 416	
9	881453	BEARING DR CLOSING RH WH 635	
	881454	BEARING DR CLOSING LH WH 635	
	881457	BEARING DR CLOSING RH SA 635	
	881458	BEARING DR CLOSING LH S/STONE	
10	871123	PLUG/PIN HINGE DAIRY COVER	
11	315017	KIT COVER DOOR SHELF 635	
	876503	COVER DOOR SHELF CLEAR LH	
	876504	COVER DOOR SHELF CLEAR RH	
12	876503	COVER DOOR SHELF CLEAR LH	
12	881188	COVER DOOR SHELF 635 LH HSM 87	
13	882786	SHELF DR BC ASSY 10V 10W WH	
	878950	TERMINAL SHELF BUTTER	
	882783	HEATER BUTTER COND 10W	
	882787	SHELF DOOR SMALL BC WHITE	
	882788	BASE BC SHELF	
	882789	TAPE TRANSFER 25.4MM WIDE	
14	871125	COVER BUTTER TRAY ALL BRANDS	
15	880267	TRAY BUTTER SHELF WHITE	
16	874973	SHELF DOOR SML LH 635 WHITE	
17	876719	SHELF EGG RACK 635	
18	874974	SHELF DOOR SML RH 635 WHITE	
19	* 311016P	DOOR PC WH635X 930 BS E331T	E331TL/R
	877955	MAGNET DOOR ALARM	
	881004	CAP DOOR END OUTER WH 635	
	312020P	DOOR PC SA635X 930 BS	E331TL/R
	877955	MAGNET DOOR ALARM	



**DOORS TOP FZR-WITH CURVED PLASTIC HANDLE**

REF	PART	DESCRIPTION	MODEL
	311018P	881007 CAP DOOR END OUTER SA 635 DOOR PC WH635X1100 BS E381T	E381TL/R
	312022P	877955 MAGNET DOOR ALARM 881004 CAP DOOR END OUTER WH 635 DOOR PC SA635X1100 BS E381T	E381TL/R
19	311019P	881007 CAP DOOR END OUTER SA 635 DOOR PC WH635X1200 BS E411T	E411TL/R
	312023P	877955 MAGNET DOOR ALARM 881004 CAP DOOR END OUTER WH 635 DOOR PC SA635X1200 BS E411T	E411TL/R
	311020P	881007 CAP DOOR END OUTER SA 635 DOOR PC WH635X 749 BS E415H	E415HL/R
	312024P	877955 MAGNET DOOR ALARM 881004 CAP DOOR END OUTER WH 635 DOOR PC SA635X 749 BS E415H	E415HL/R
20	871129	881007 CAP DOOR END OUTER SA 635 BIN EGG/ICE MOULD ALL BRANDS	
21	883121	DIVIDER BOTTLE RAIL WHITE	
	883122	DIVIDER BOTTLE RAIL HS BLUE	
22	882651	RAIL BOTTLE SUPPORT 635	
23	876281	PLUG DOOR SHELF WHITE	
24	874361	SHELF DR LGE HSM874961 BLUE 63	
	874961	SHELF DOOR LGE 635 WHITE MOULD	
25	876706P	PACK GASK ASSY PUSHIN 635X 903	E331T
	876707P	PACK GASK ASSY PUSHIN 635X1075	E381T
	876708P	PACK GASK ASSY PUSHIN 635X1175	E411T
25	876705P	PACK GASK ASSY PUSHIN 635X 721	E415H
26	881035	HANDLE DR SML MOULD LHT/RHB WH	
	881037	HANDLE DR SML MOULD RHT/LHB WH	
	881086	HANDLE DR SMALL LHB RHT SL	
	881088	HANDLE DR SMALL LHT RHB SL	
	881485	HANDLE DR SML S/STONE LHT/RHB	
	881487	HANDLE DR SML S/STONE LHB/RHT	
27	* 880654	SCREW M4X10 TRUSS PH SS	
	SP0008	SCREW #6X12 AB TRUSS PH ST ZP	
28	880581	PLUG HANDLE WHITE	
	881010	PLUG HANDLE SANDSTONE	
29	881036	HANDLE DR LGE MOULD LHT/RHB WH	
	881038	HANDLE DR LGE MOULD LHB/RHT WH	
	881082	HANDLE DR LARGE LHT RHB SL	
	881084	HANDLE DR LARGE LHB RHT SL	
	881486	HANDLE DR LGE S/STONE LHT/RHB	
	881488	HANDLE DR LGE S/STONE LHB/RHT	
30	881044	SCREW 8X22 WAFER PHIL STZP	
31	881075	CAP HANDLE SCREW WHITE	
	881398	CAP HANDLE SCREW SILVER (MOULDED)	
	881533	CAP HANDLE SCREW COVER S/STONE	
32	881365	BOOK USE & CARE ELECT FRENCH	
	881560	BOOK USE & CARE ACTIVE SMART	
	881561	BOOK USE&CARE ACTV SMART XPORT	
NI	479151	LEAFLET SMART CARE NZ	
NI	479186	LEAFLET SM/CARE WARRTY REG AUS	

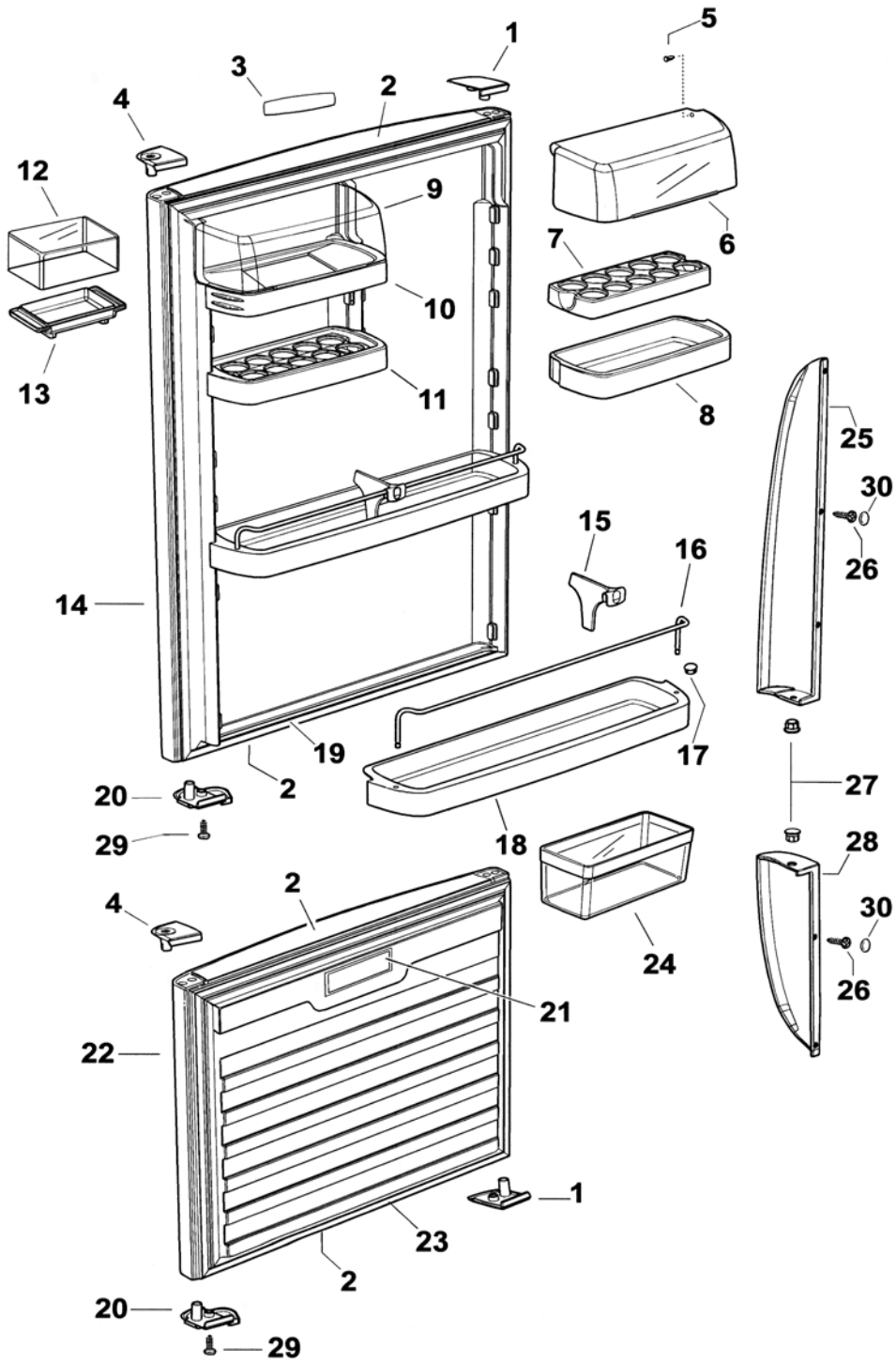
# DOORS BTM FZR-WITH CURVED PLASTIC HANDLE



**DOORS BTM FZR-WITH CURVED PLASTIC HANDLE**

REF	PART	DESCRIPTION	MODEL
1	880345	COVER ENDCAP LHB RHT WH 635	
	880346	COVER ENDCAP LHT RHB WH 635	
	880664	COVER ENDCAP LHB RHT SA 635	
	880665	COVER ENDCAP LHT RHB SA 635	
2	881004	CAP DOOR END OUTER WH 635	
	881007	CAP DOOR END OUTER SA 635	
3	881050	NAMEPLATE F&P ACTIVE SMART	
	881051	NAMEPLATE KELV BY F&P	
	881052	NAMEPLATE FRIG BY F&P	
	881054	NAMEPLATE KELV	
	881055	NAMEPLATE FRIG	
	881056	NAMEPLATE SHACK	
	881478	NAMEPLATE KELV EXPORT	
	881479	NAMEPLATE FRIG EXPORT	
4	880343	BEARING HINGE LHB RHT WH 635	
	880344	BEARING HINGE LHT RHB WH 635	
	880662	BEARING HINGE LHB RHT SA 635	
	880663	BEARING HINGE LHT RHB SA 635	
5	871123	PLUG/PIN HINGE DAIRY COVER	
6	315017	KIT COVER DOOR SHELF 635	
	876503	<i>COVER DOOR SHELF CLEAR LH</i>	
	876504	<i>COVER DOOR SHELF CLEAR RH</i>	
7	876719	SHELF EGG RACK 635	
8	874974	SHELF DOOR SML RH 635 WHITE	
9	876503	COVER DOOR SHELF CLEAR LH	
	881188	COVER DOOR SHELF 635 LH HSM 87	
10	882786	SHELF DR BC ASSY 10V 10W WH	
	878950	<i>TERMINAL SHELF BUTTER</i>	
	882783	<i>HEATER BUTTER COND 10W</i>	
	882787	<i>SHELF DOOR SMALL BC WHITE</i>	
	882788	<i>BASE BC SHELF</i>	
	882789	<i>TAPE TRANSFER 25.4MM WIDE</i>	
11	874973	SHELF DOOR SML LH 635 WHITE	
12	871125	COVER BUTTER TRAY ALL BRANDS	
13	880267	TRAY BUTTER SHELF WHITE	
14	* 311017P	DOOR PC WH635X 930 BS E372B	E372BL/R
	877955	<i>MAGNET DOOR ALARM</i>	
	881004	<i>CAP DOOR END OUTER WH 635</i>	
	312021P	DOOR PC SA635X 930 BS E372B	E372BL/R
	877955	<i>MAGNET DOOR ALARM</i>	
	881007	<i>CAP DOOR END OUTER SA 635</i>	
	311021P	DOOR PC WH635X1030 BS E402B	E402BL/R
	877955	<i>MAGNET DOOR ALARM</i>	
	881004	<i>CAP DOOR END OUTER WH 635</i>	
	312025P	DOOR PC SA635X1030 BS	E402BL/R
	877955	<i>MAGNET DOOR ALARM</i>	
	881007	<i>CAP DOOR END OUTER SA 635</i>	
15	883121	DIVIDER BOTTLE RAIL WHITE	
	883122	DIVIDER BOTTLE RAIL HS BLUE	
16	882651	RAIL BOTTLE SUPPORT 635	
17	876281	PLUG DOOR SHELF WHITE	

# DOORS BTM FZR-WITH CURVED PLASTIC HANDLE

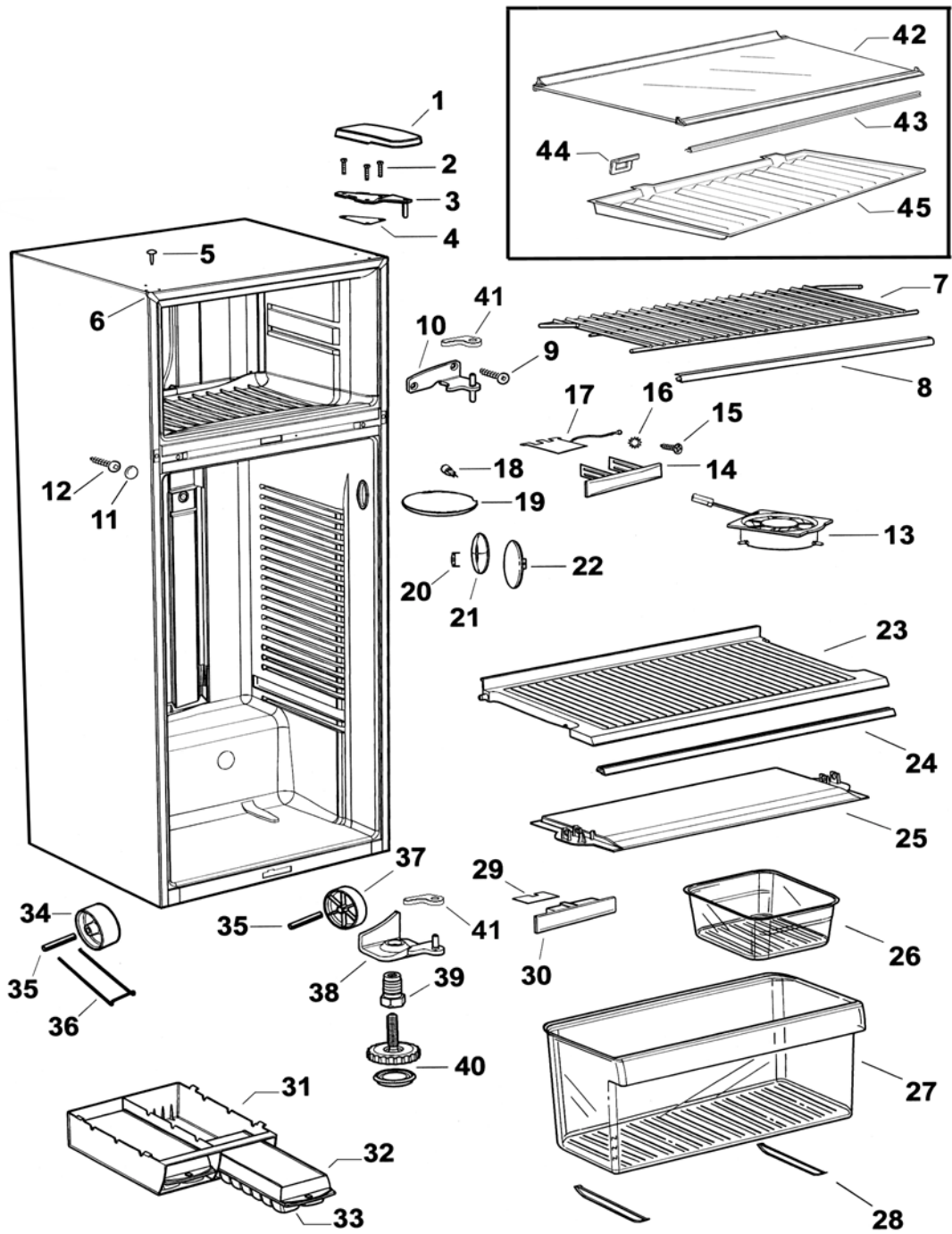




**DOORS BTM FZR-WITH CURVED PLASTIC HANDLE**

<b>REF</b>	<b>PART DESCRIPTION</b>	<b>MODEL</b>
18	874361 SHELF DR LGE HSM874961 BLUE 63	
	874961 SHELF DOOR LGE 635 WHITE MOULD	
19	876706P GASKET PUSHIN LTGY 635X 903	E372B
	873386P GASKET PUSHIN LTGY 635X1003	E402B
20	881453 BEARING DR CLOSING RH WH 635	
	881454 BEARING DR CLOSING LH WH 635	
	881457 BEARING DR CLOSING RH SA 635	
	881458 BEARING DR CLOSING LH SA 635	
21	874706 LABEL FREEZER GUIDE RF BLUE	
22	311026P DOOR FC WH635X 613 BS E372B,40	
	877955 <i>MAGNET DOOR ALARM</i>	
	881004 <i>CAP DOOR END OUTER WH 635</i>	
	312030P DOOR FC SA635X 613 BS	
	877955 <i>MAGNET DOOR ALARM</i>	
	881007 <i>CAP DOOR END OUTER SA 635</i>	
23	876703P GASKET PUSHIN LTGY 635X 585	
24	871129 BIN EGG/ICE MOULD	
25	881036 HANDLE DR LGE MOULD LHT/RHB WH	
	881038 HANDLE DR LGE MOULD LHB/RHT WH	
	881082 HANDLE DR LARGE LHT RHB SL	
	881084 HANDLE DR LARGE LHB RHT SL	
	881486 HANDLE DR LGE S/STONE LHT/RHB	
	881488 HANDLE DR LGE S/STONE LHB/RHT	
26	* 880654 SCREW M4X10 TRUSS PH SS	
	SP0008 SCREW 6X12 AB TRUSS PH ST ZP	
27	880581 PLUG HANDLE WHITE	
	881010 PLUG HANDLE SANDSTONE	
28	881035 HANDLE DR SML MOULD LHT/RHB WH	
	881037 HANDLE DR SML MOULD RHT/LHB WH	
	881086 HANDLE DR SMALL LHB RHT SL	
	881088 HANDLE DR SMALL LHT RHB SL	
	881485 HANDLE DR SML S/STONE LHT/RHB	
	881487 HANDLE DR SML S/STONE LHB/RHT	
29	881044 SCREW 8X22 WAFER PHIL STZP	
30	881075 CAP HANDLE SCREW WHITE	
	881398 CAP HANDLE SCREW SILVER (MOULDED)	
	881533 CAP HANDLE SCREW S/STONE	

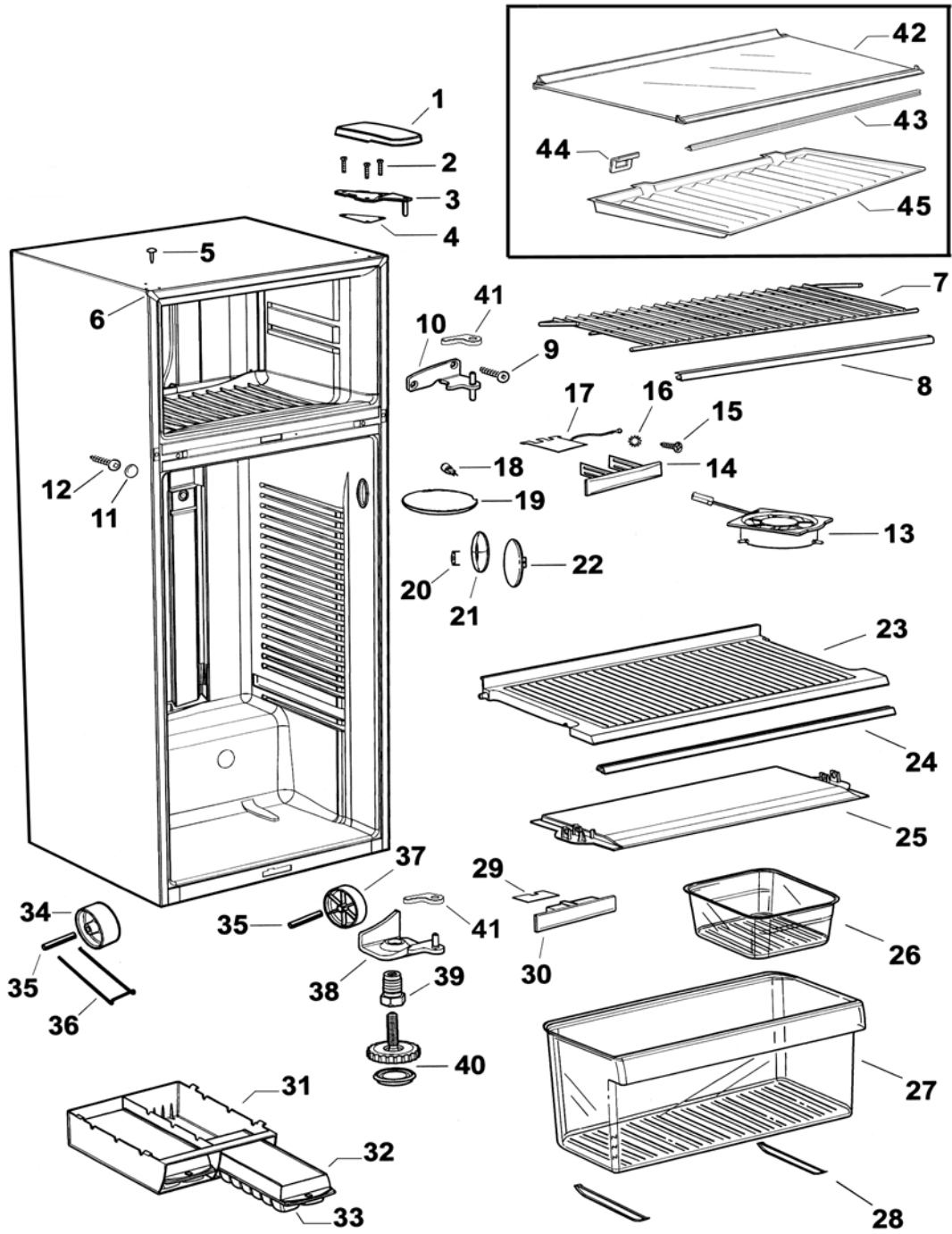
# CABINET TOP FREEZER



**CABINET TOP FREEZER**

<b>REF</b>	<b>PART</b>	<b>DESCRIPTION</b>	<b>MODEL</b>
1	880490	COVER TOP HINGE WHITE	
	880681	COVER TOP HINGE S/STONE	
2	610312	SCREW MC M5X20 HEX PH MS ZNPL	
3	880526	BRACKET TOP HINGE ASSY (PLATED	
4	882355	GASKET TOP HINGE	
5	855260	PLUG TAPPED HOLE SANDSTONE	
	855261	PLUG TAPPED HOLE WHITE	
6	871503	TRIM CORNER S/STONE	
	871504	TRIM CORNER WHITE	
7	877925	SHELF TOP FC WH 635T 526 X 263	
8	880583	TRIM SHELF WHITE 528MM 635 T	
9	880656	SCREW 10GX25CSK SQ SS	
10	881283	BRACKET CTR HINGE RH PLATED	
	881286	BRACKET CTR HINGE LH PLATED	
11	880595	CAP SCREW CROSS RAIL WHITE	
	880684	CAP SCREW CROSS RAIL SANDSTONE	
12	880655	SCREW 10X19 AB 2 SQ ZN	
13	880820	FAN & HOUSING PC ASSY ST3	
	872956	<i>AMP HOUSING FEMALE 172233-1</i>	
	878545	<i>AMP PIN 16-20AWG 171680-1</i>	
	*	878582 <i>SPRING FAN SUSPENDED</i>	
	*	878583 <i>HOUSING FAN SUSPENDED</i>	
		881147 <i>MOTOR FAN ASSY DC SUSP PC ST3</i>	
	881438P	FAN & HOUSING PC ASSY ST4	
	*	878582 <i>SPRING FAN SUSPENDED</i>	
	*	878583 <i>HOUSING FAN SUSPENDED</i>	
		881408 <i>MOTOR FAN ASSY DC SUSP PC ST4</i>	
		881592 <i>MOLEX CAP FEMALE 51139-0200</i>	
		881598 <i>MOLEX PIN 20-26AWG 50600-8100 (20-26AWG)</i>	
14	880542	COVER REED SW CENTER X-RAIL WH ST3	
	881420	COVER REED SW X/R & BTM WH ST4	
15	SP0201P	SCREW 8X12 PAN PH NIB PKT10	
16	900101	WASHER LOCK NO 10 EXT SP ZP	
17	880643P	SWITCH REED+HARN XTN X/RAIL ST3	
	*	883253P SWITCH REED X/RAIL FIELD FIX KIT ST3	
		881223P SWITCH REED FIELD FIX KIT ST4	
18	874017	LAMP HALOGEN PC 12VOLT/10W	
19	875318	COVER LAMP PC	
20	878952	TERMINAL BUTTER COND SHELF DR	
21	881066	HOUSING TERMINAL PC LINER BC	
22	878954	CAP NO BC LINER	
23	* 881166	SHELF PC STIFFENER ASSY 635	
	876682	<i>EXTRUSION PC SHELF 635 STIFFEN</i>	
	881165	<i>SHELF BARE 560 X 340</i>	
24	876682	EXTRUSION PC SHELF 635 STIFFEN	
25	882753	LID HUMIDITY CONTROL 635 T MOD	
26	876538	TRAY CRISPER 'T' 635	
27	874141	BIN CRISP 635 T HSM876537 BLUE	
28	876667	FOOT CRISPER RUNNER 'T'	

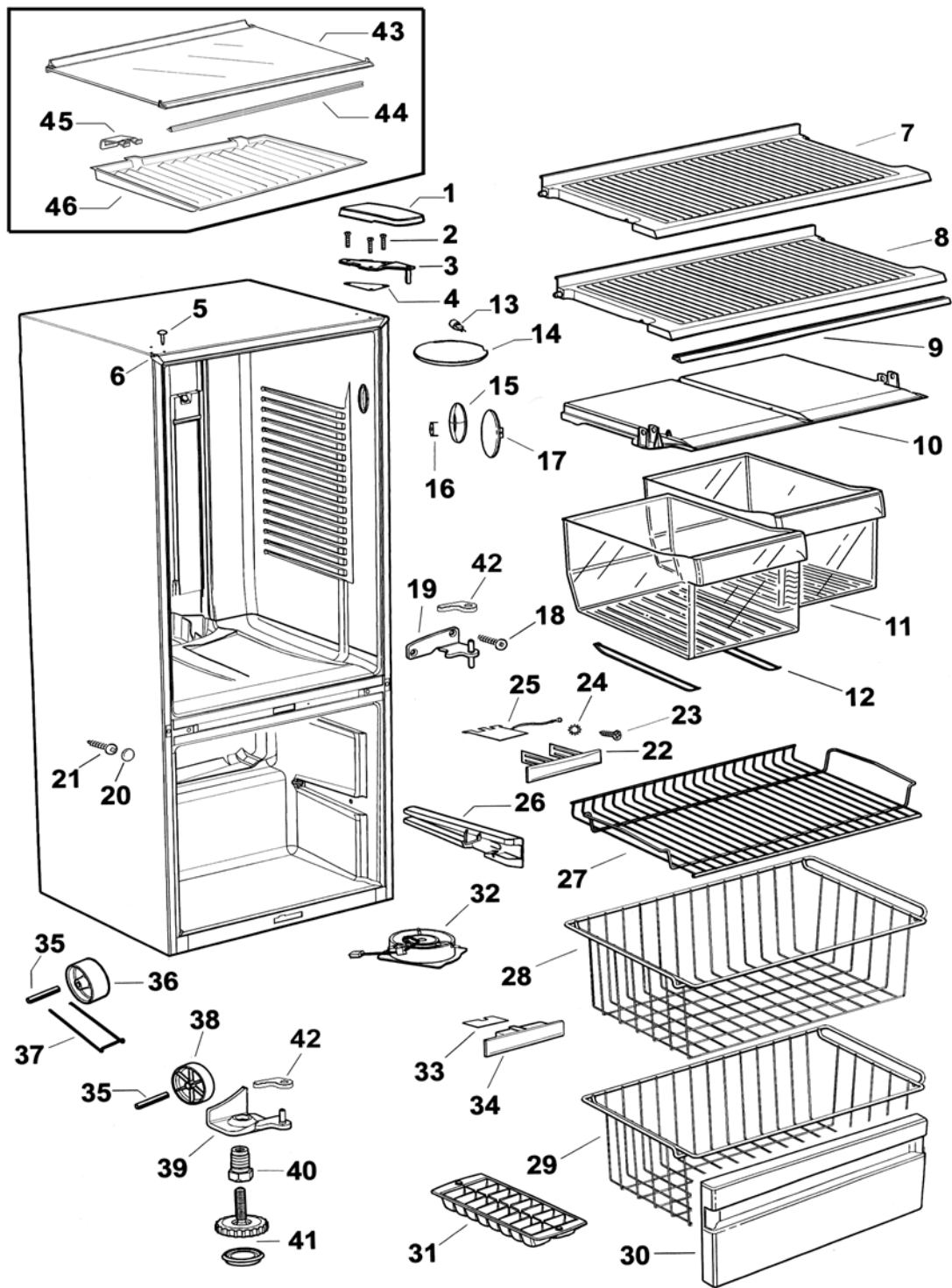
# CABINET TOP FREEZER



**CABINET TOP FREEZER**

<b>REF</b>	<b>PART</b>	<b>DESCRIPTION</b>	<b>MODEL</b>
29	880657P	SWITCH REED BASE PANEL ST3	
	881223P	SWITCH REED FIELD FIX KIT ST4	
30	314147P	KIT REED SW BTTM COVER WH ST3	
	880657	<i>REED SWITCH PCB BASE PANEL ST3</i>	
	881062	<i>COVER REED SWITCH B/PANEL WH ST3</i>	
	314148P	KIT REED SW BTTM COVER SA ST3	
	880657	<i>REED SWITCH PCB BASE PANEL ST3</i>	
	881064	<i>COVER REED SW PCB B/PANEL SA ST3</i>	
	881420	COVER REED SW X/R & BTM WH ST4	
	881421	COVER REED SW BTTM SA ST4	
31	872963	TRAY ICE HOLDER	
32	874108	TRAY ICE LID	
33	874107	TRAY ICE BASE	
34	871132	FOOT ROLLER	
35	871017	PIN ROLLER PLATED	
36	871041	CLIP ROLLER	
37	880545	ROLLER FOOT	
38	881274	BRACKET BTTM HINGE RH	
	881277	BRACKET BTTM HINGE LH	
39	880959	BOLT BOTTOM HINGE BRACKET	
40	880512	FOOT LEVELLING ASSEMBLY	
	880519	<i>BASE LEVELLING FOOT</i>	
41	881270	CAP DOOR CLOSING RH	
	881271	CAP DOOR CLOSING LH	
42	881297	SHELF GLASS PC SC ASSY 635	
	881252	<i>SHELF GLASS PC 635</i>	
	881255	<i>EXTRUSN FRT GLASS SHELF SC 635</i>	
	881258	<i>EXTRUSN REAR GLAS SHELF SC 635</i>	
	881261	<i>PLUG REAR EXTRUSN RH ALL MODLS</i>	
	881262	<i>PLUG REAR EXTRUSN LH ALL MODLS</i>	
	881263	<i>PLUG FRONT EXTRUSION RH 635</i>	
	881264	<i>PLUG FRONT EXTRUSION LH 635</i>	
	882205	SHELF GLASS PC ASSY WH 635	
	881261	<i>PLUG REAR EXTRUSN RH ALL MODLS</i>	
	881262	<i>PLUG REAR EXTRUSN LH ALL MODLS</i>	
	881263	<i>PLUG FRONT EXTRUSION RH 635</i>	
	881264	<i>PLUG FRONT EXTRUSION LH 635</i>	
	882206	<i>EXTRUSN FRT GLASS SHELF WH 635</i>	
	882207	<i>EXTRUSN REAR GLAS SHELF WH 635</i>	
43	881265	EXTRUSION HCL SUPPORT 635/680	
44	881269	BRACKET HCL SUPPORT T GL SH	
45	881300	LID HCL T 635/680 GLASS SHELF	

# CABINET BOTTOM FREEZER

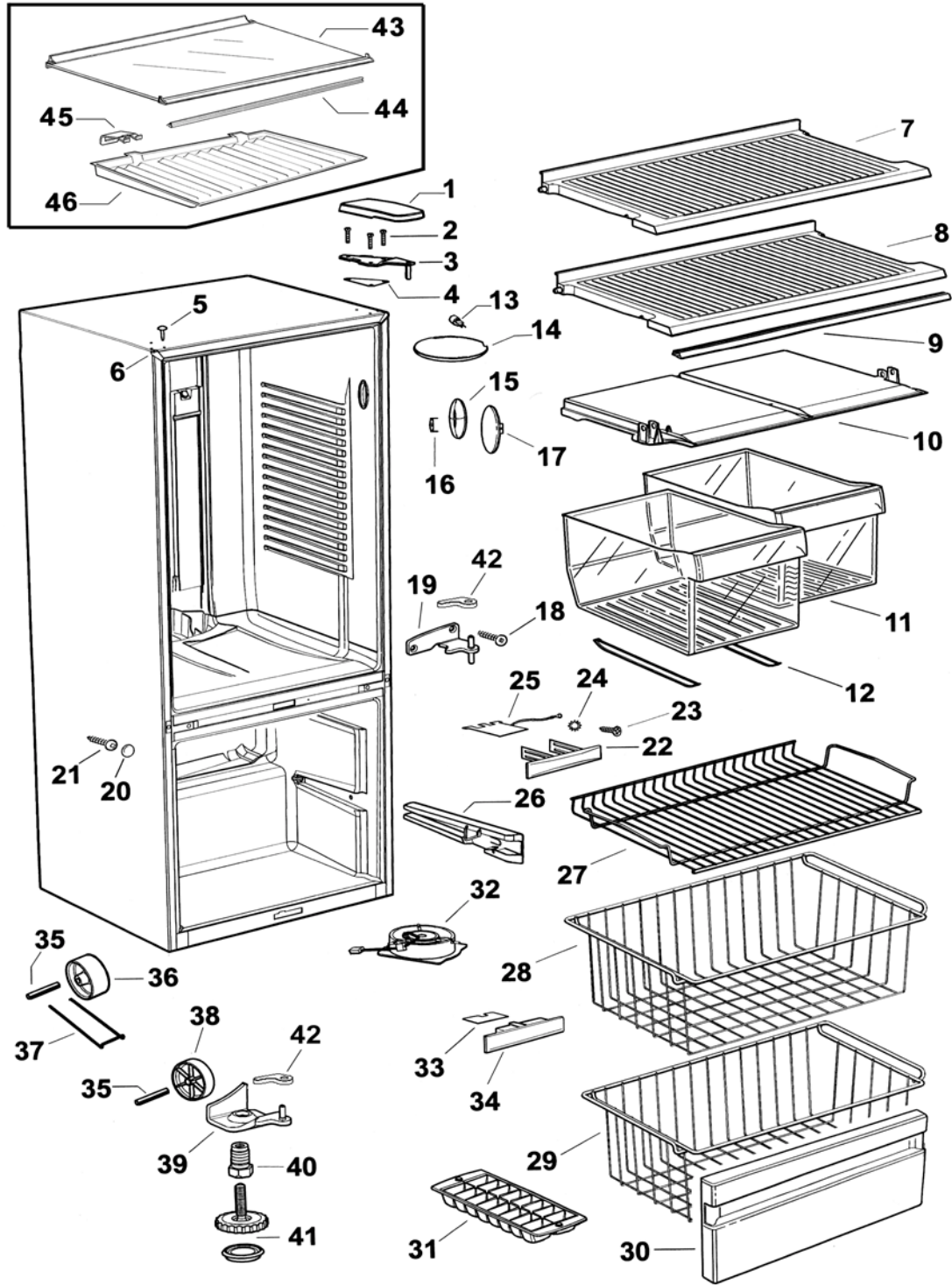


**CABINET BOTTOM FREEZER**

REF	PART	DESCRIPTION	MODEL
1	880490	COVER TOP HINGE WHITE	
	880681	COVER TOP HINGE S/STONE	
2	610312	SCREW MC M5X20 HEX PH MS ZNPL	
3	860012	BRACKET TOP HINGE B MODEL PLA	
4	882355	GASKET TOP HINGE	
5	855260	PLUG TAPPED HOLE SANDSTONE	
	855261	PLUG TAPPED HOLE WHITE	
6	871503	TRIM CORNER S/STONE	
	871504	TRIM CORNER WHITE	
7	* 881166	SHELF PC STIFFENER ASSY 635	
	876682	<i>EXTRUSION PC SHELF 635 STIFFEN</i>	
	881165	<i>SHELF BARE 560 X 340</i>	
8	* 877222	SHELF PC STIFFENER ASSY 635	
	876682	<i>EXTRUSION PC SHELF 635 STIFFEN</i>	
9	876682	EXTRUSION PC SHELF 635 STIFFEN	
10	880784	LID HUMIDITY CONTROL 635B	
11	874142	BIN CRISP 635 B HSM875536 BLUE	
12	875287	FOOT CRISPER RUNNER B	
13	874017	LAMP HALOGEN PC 12VOLT/10W	
14	875318	COVER LAMP PC	
15	881066	HOUSING TERMINAL PC LINER BC	
16	878592	TERMINAL BUTTON BUTTER COND	
17	878954	CAP NO BC LINER	
18	880656	SCREW 10GX25CSK SQ SS	
19	881283	BRACKET CTR HINGE RH PLATED	
	881286	BRACKET CTR HINGE LH PLATED	
20	880595	CAP SCREW CROSS RAIL WHITE	
	880684	CAP SCREW CROSS RAIL SANDSTONE	
21	880655	SCREW 10X19 AB 2 SQ ZN	
22	880542	COVER REED SW CENTER X-RAIL WH ST3	
	881420	COVER REED SW X/R & BTM WH ST4	
23	SP0201P	SCREW 8X12 PAN PH NIB PKT10	
24	900101	WASHER LOCK NO 10 EXT SP ZP	
25	880643P	SWITCH REED+HARN XTN X/RAIL ST3	
	* 883253P	SWITCH REED X/RAIL FIELD FIX KIT ST3	
	881223P	SWITCH REED FIELD FIX KIT ST4	
26	871145	RUNNER FC BASKET ASSY B RH	
	855143	<i>WHEEL BASKET SUPPORT B VF</i>	
	901323	<i>PIN FC BASKET RUNNER</i>	
	871146	RUNNER FC BASKET ASSY B LH	
	855143	<i>WHEEL BASKET SUPPORT B VF</i>	
	901323	<i>PIN FC BASKET RUNNER</i>	
27	877928	SHELF FC TOP 534X361 635 B MOD	
28	877934	BASKET FC TOP 635 B MODEL	
29	877931	BASKET FC BOTTOM 635 B MODEL	
30	882766	TRIM FC BASKET FRONT 635 WHITE	
31	874107	TRAY ICE BASE	



# CABINET BOTTOM FREEZER

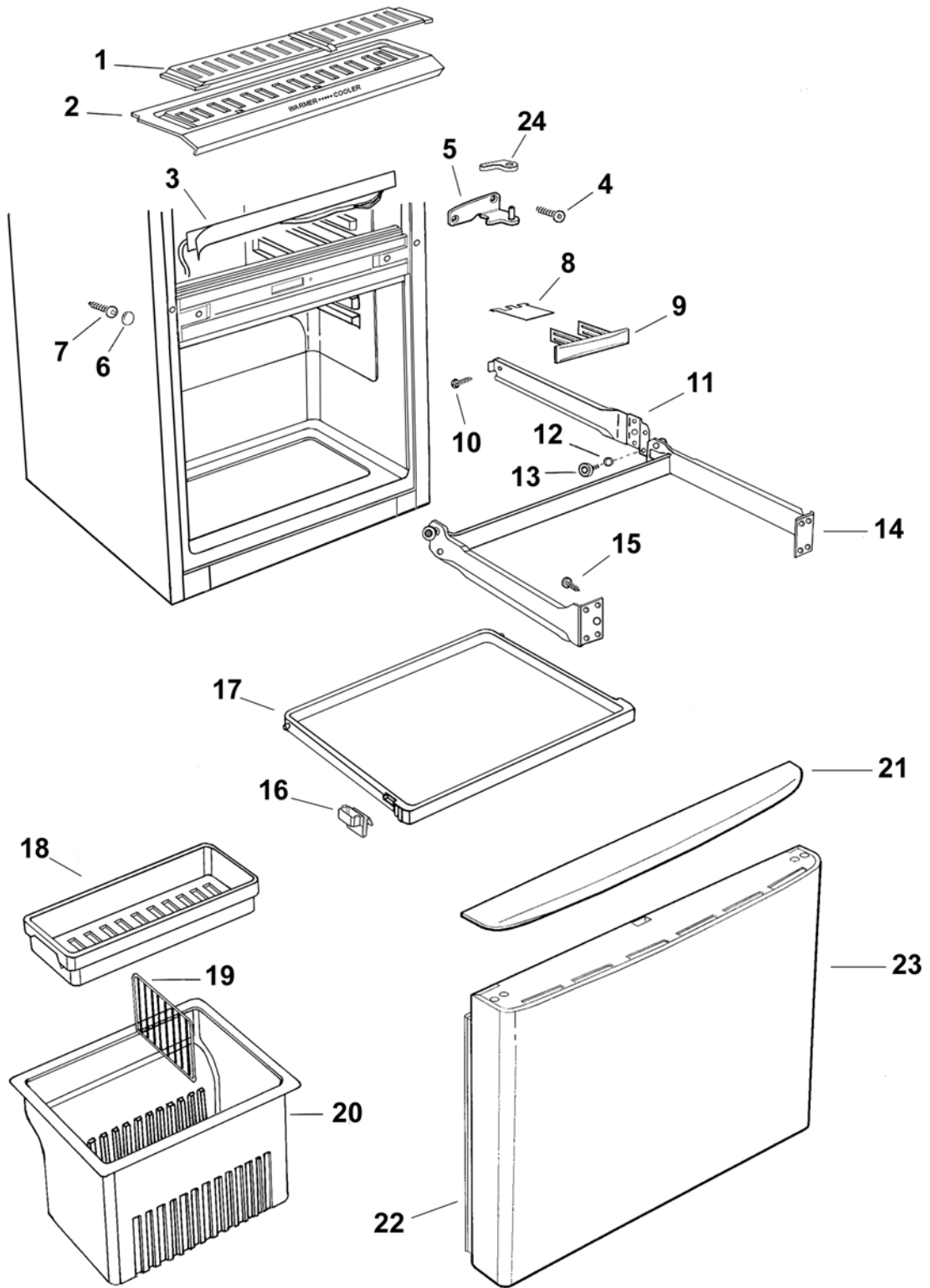




**CABINET BOTTOM FREEZER**

<b>REF</b>	<b>PART</b>	<b>DESCRIPTION</b>	<b>MODEL</b>
32	880820	FAN & HOUSING PC ASSY ST3	
		872956 AMP HOUSING FEMALE 172233-1	
		878545 AMP PIN 16-20AWG 171680-1	
	*	878582 SPRING FAN SUSPENDED	
	*	878583 HOUSING FAN SUSPENDED	
		881147 MOTOR FAN ASSY DC SUSP PC ST3	
	881438P	FAN & HOUSING PC ASSY ST4	
	*	878582 SPRING FAN SUSPENDED	
	*	878583 HOUSING FAN SUSPENDED	
		881408 MOTOR FAN ASSY DC SUSP PC ST4	
		881592 MOLEX CAP FEMALE 51139-0200	
		881598 MOLEX PIN 20-26AWG 50600-8100 (20-26AWG)	
33	880657P	SWITCH REED BASE PANEL ST3	
	881223P	SWITCH REED FIELD FIX KIT ST4	
34	314147P	KIT REED SW BTTM COVER WH ST3	
		880657 REED SWITCH PCB BASE PANEL ST3	
		881062 COVER REED SWITCH B/PANEL WH ST3	
	314148P	KIT REED SW BTTM COVER SA ST3	
		880657 REED SWITCH PCB BASE PANEL ST3	
		881064 COVER REED SW PCB B/PANEL SA ST3	
	881420	COVER REED SW X/R & BTM WH ST4	
	881421	COVER REED SW BTTM SA ST4	
35	871017	PIN ROLLER PLATED	
36	871132	FOOT ROLLER	
37	871041	CLIP ROLLER	
38	880545	ROLLER FOOT	
39	881274	BRACKET BTTM HINGE RH PLATED	
	881277	BRKT BTTM HINGE LH ASSY PLATED	
40	880959	BOLT BTTM HINGE BRKT	
41	880512	FOOT LEVELLING ASSEMBLY	
		880519 BASE LEVELLING FOOT	
42	881270	CAP DOOR CLOSING RH	
	881271	CAP DOOR CLOSING LH	
43	881297	SHELF GLASS PC ASSY 635	
		881252 SHELF GLASS PC 635	
		881255 EXTRUSN FRT GLASS SHELF SC 635	
		881258 EXTRUSN REAR GLAS SHELF SC 635	
		881261 PLUG REAR EXTRUSN RH ALL MODLS	
		881262 PLUG REAR EXTRUSN LH ALL MODLS	
		881263 PLUG FRONT EXTRUSION RH 635	
		881264 PLUG FRONT EXTRUSION LH 635	
	882205	SHELF GLASS PC ASSY WH 635	
		881261 PLUG REAR EXTRUSN RH ALL MODLS	
		881262 PLUG REAR EXTRUSN LH ALL MODLS	
		881263 PLUG FRONT EXTRUSION RH 635	
		881264 PLUG FRONT EXTRUSION LH 635	
		882206 EXTRUSN FRT GLASS SHELF WH 635	
		882207 EXTRUSN REAR GLAS SHELF WH 635	
44	881265	EXTRUSION HCL SUPPORT 635/680	
45	881268	BRACKET HCL SUPPORT B GL SH	
46	881301	LID HCL B 635/680 GLASS SHELF	

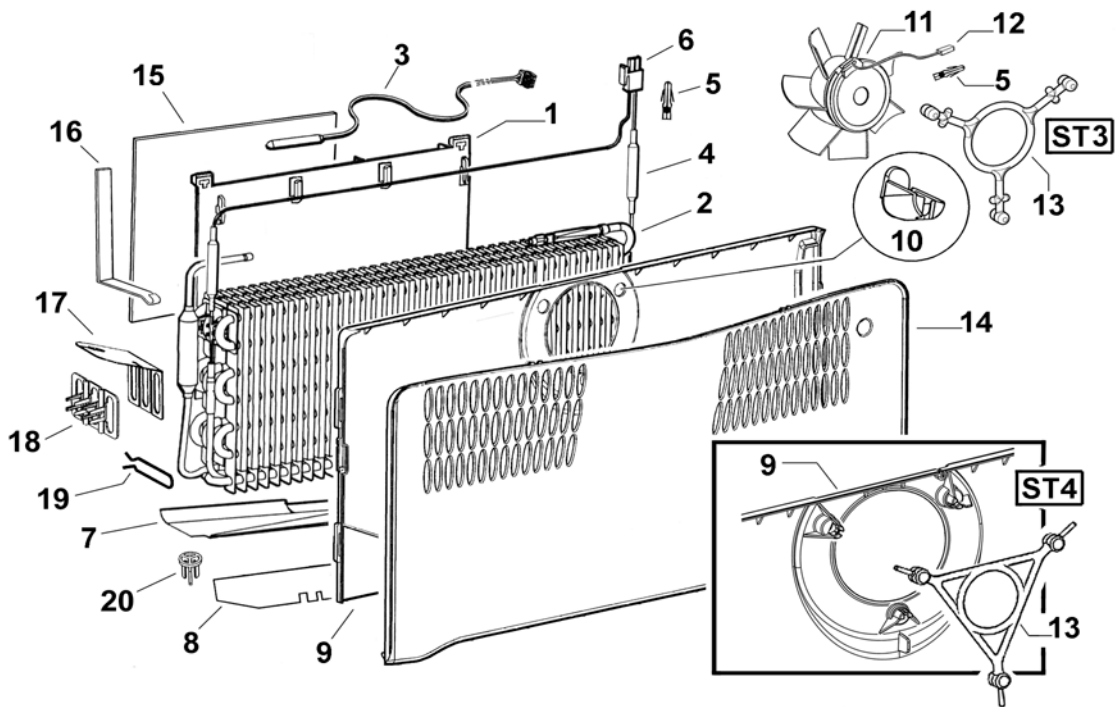
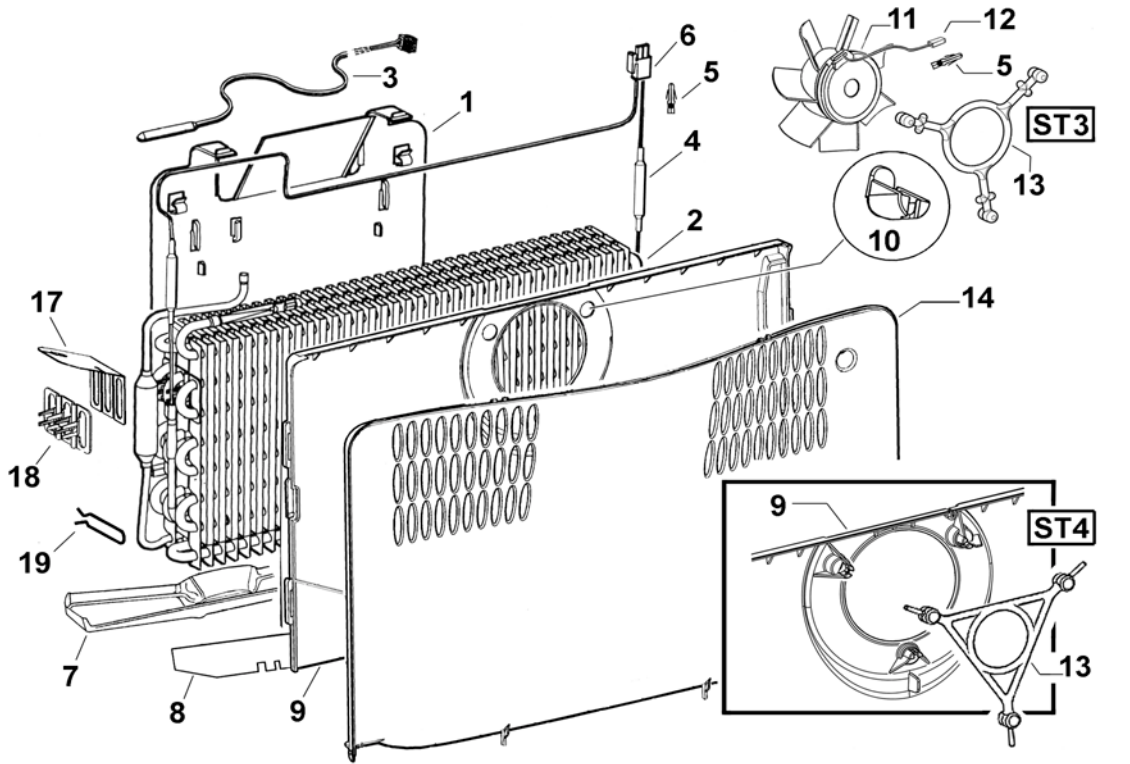
### DRAWER ASSEMBLY HUMIDITY



**DRAWER ASSEMBLY HUMIDITY**

<b>REF</b>	<b>PART</b>	<b>DESCRIPTION</b>	<b>MODEL</b>
1	873501	CONTROL SLIDE HC WHITE	
2	880253	COVER FINSHED HC H/S BLUE 635	
3	855293	HEATER X/RAIL HC 110V ST3	
		<i>402520 LABEL 110-115V</i>	
		<i>880783 HEATER X/RAIL HC 110V ST3</i>	
	880782	HEATER X-RAIL HC 230V P42 ST3	
	882284	HEATER X/RAIL HC 240V ST4	
	882285	HEATER X/RAIL HC 110V ST4	
4	880656	SCREW 10GX25CSK SQ SS	
5	881288	BRACKET H-RAIL HINGE RH PLATED	
	881290	BRACKET H-RAIL HINGE LH PLATED	
6	880595	CAP SCREW CROSS RAIL WHITE	
7	880655	SCREW #10X19 AB #2 SQ ZN	
8	880730P	SWITCH REED H/RAIL ST3	
	881223P	SWITCH REED FIELD FIX KIT ST4	
9	880542	COVER REED SW CENTER X-RAIL WH ST3	
	881420	COVER REED SW X/R & BTM WH ST4	
10	SP0201P	SCREW 8X12 PAN PH NIB PKT10	
11	877643	RAIL GUIDE ASSY WHITE LH	
	877644	RAIL GUIDE ASSY WHITE RH	
12	873510	WASHER HINGE BEARING 4.8MM WH	
13	871377	BEARING IDS-26-SB5S	
14	873240	RAIL FRAME ASSY HC WHITE	
15	900792	SCREW #10.32X17MM RSC CSK TY 2	
16	880449	RUNNER SUPPORT TRAY DIVIDER HC	
17	875114	TRAY DIVIDER PC 635 WHITE	
18	874965	TRAY HC WHITE	
19	871654	PARTITION PLASTICISED HC	
20	871233	BIN HC	
21	880765	HANDLE DOOR SILVER HC	
	881040	HANDLE DR HC MOULD WH	
	881389	HANDLE DOOR S/STONE HC	
22	876702P	PACK GASK ASSY PUSHIN 635X 416	
23	311028P	DOOR HC WH635X 443 BS C365H,41	
		<i>877955 MAGNET DOOR ALARM</i>	
		<i>881004 CAP DOOR END OUTER WH 635</i>	
	312032P	DOOR HC SA635X 443 BS	
23		<i>877955 MAGNET DOOR ALARM</i>	
		<i>881007 CAP DOOR END OUTER SA 635</i>	
24	881270	CAP DOOR CLOSING RH	
	881271	CAP DOOR CLOSING LH	

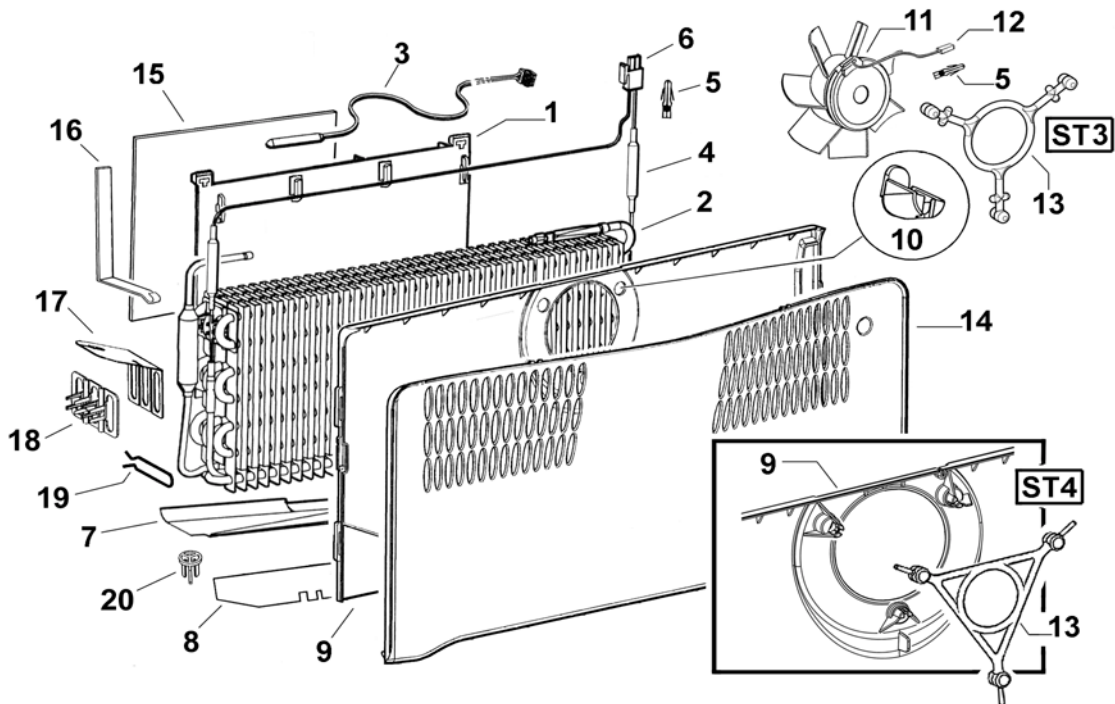
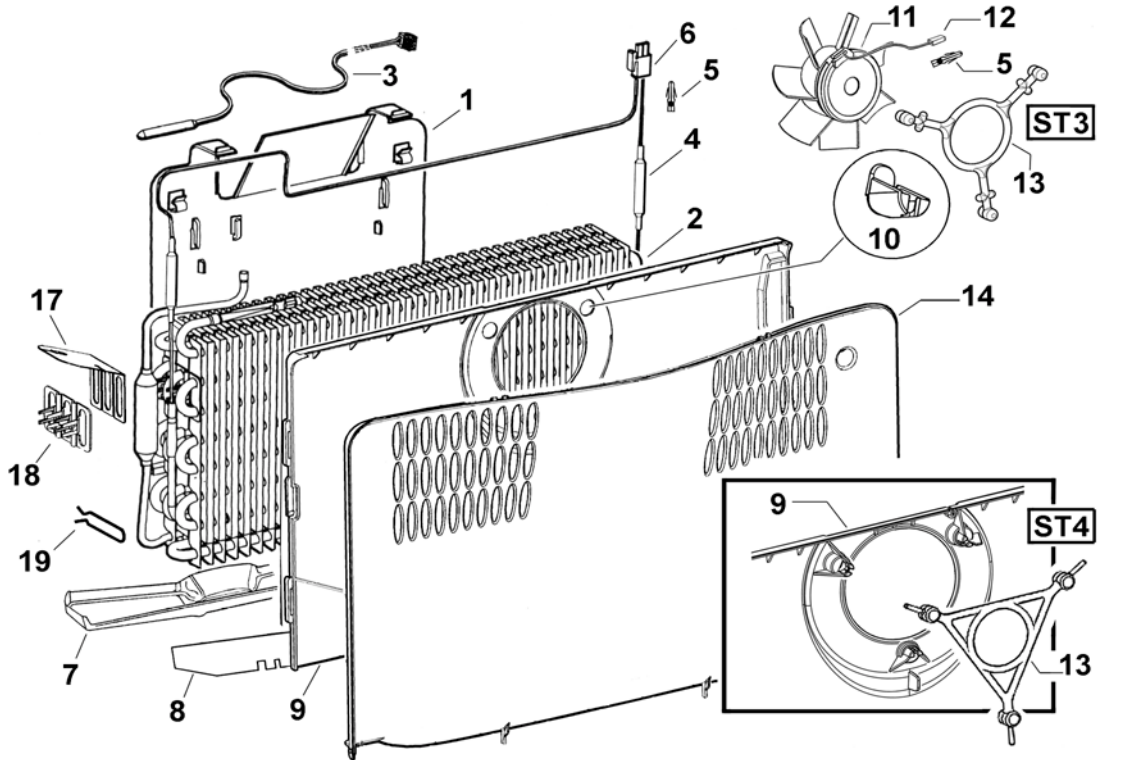
# FAN AND EVAPORATOR ASSEMBLIES



## FAN AND EVAPORATOR ASSEMBLIES

REF	PART	DESCRIPTION	MODEL
1	874109	CHASSIS EVAP ELECT 635/680B	E372BL
	874109	CHASSIS EVAP ELECT 635/680B	E372BR
	874109	CHASSIS EVAP ELECT 635/680B	E402BL
	874109	CHASSIS EVAP ELECT 635/680B	E402BR
	880495	CHASSIS EVAP T ELECT	E411TL
	880495	CHASSIS EVAP T ELECT	E411TR
2	874094	EVAP SERV KIT 635T&H ST3 240V	
	874095	EVAP SERV KIT 635B ST3 240V	
	874096	EVAP SERV KIT 635T&H ST3 110V	
	874097	EVAP SERV KIT 635B ST3 110V	
	881426P	EVAP SERV KIT 635B ST4 115V	
	881427P	EVAP SERV KIT 635T&H ST4 115V	
	881428P	EVAP SERV KIT 635T&H ST4 240V	
	881429P	EVAP SERV KIT 635B ST4 240V	
3	855203P	SENSOR KIT ASSY	
4	874175	HEATER DEF ASSY 635 ST3 240V	
		<i>872957 AMP SKT 16-20AWG 171639-1</i>	
		<i>873988 PLUG 2 WAY HSG AMP MATE-N-LOK</i>	
	877999	HEATER DEF ASSY 635 ST3 110V	
		<i>872957 AMP SKT 16-20AWG 171639-1</i>	
		<i>873988 PLUG 2 WAY HSG AMP MATE-N-LOK</i>	
	881410	HEATER DEF ASSY 635 ST4 110V	
		<i>881593 MOLEX PLUG MALE 51138-0200</i>	
		<i>881595 MOLEX SKT 16-22AWG 50597-8100 (16-22AWG)</i>	
	881411	HEATER DEF ASSY 635 ST4 240V	
		<i>881593 MOLEX PLUG MALE 51138-0200</i>	
		<i>881595 MOLEX SKT 16-22AWG 50597-8100 (16-22AWG)</i>	
5	872957	AMP SKT 16-20AWG 171639-1	
6	873988	PLUG 2WAY HSG AMP MATE-N-LOK	
7	874724	SHIELD DRAIN HTR 635T	
	872831	SHIELD DRAIN HTR DEFROST 635B	E372BL
	872831	SHIELD DRAIN HTR DEFROST 635B	E372BR
	872831	SHIELD DRAIN HTR DEFROST 635B	E402BL
	872831	SHIELD DRAIN HTR DEFROST 635B	E402BR
8	880409	SHIELD HEATER FC COVER 635T	
9	* 880955	COVER FAN FC REAR 635	
	* 882845	COVER ASSY FAN FC REAR 635	

# FAN AND EVAPORATOR ASSEMBLIES

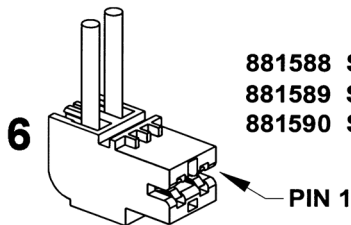
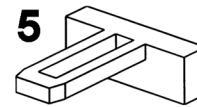
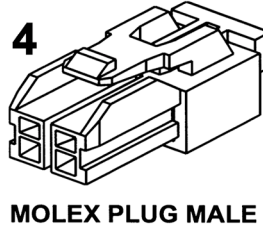
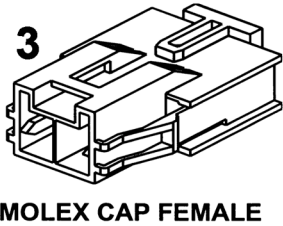
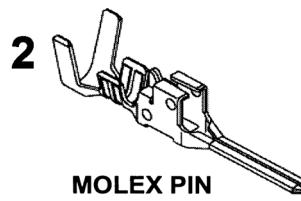
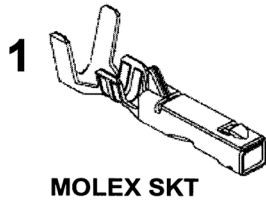


## FAN AND EVAPORATOR ASSEMBLIES

REF	PART	DESCRIPTION	MODEL
10	* 880543	CLIP FAN SUSPENDEED FC LONG TOP	
	* 880544	CLIP FAN SUSPENDEED FC SHORT BTM	
11	* 880923	MOTOR ASSY FAN FC SUSP 12V ST3	
		<i>872956 AMP HOUSING FEMALE 172233-1</i>	
		<i>878545 AMP PIN 16-20AWG 171680-1</i>	
	881409P	MOTOR ASSY FAN FC SUSP 12V ST4	
		<i>881592 MOLEX CAP FEMALE 51139-0200</i>	
		<i>881598 MOLEX PIN 20-26AWG 50600-8100 (20-26AWG)</i>	
		<i>881409 FAN MOTOR DC SUSP FC ASSY</i>	
12	872956	AMP HOUSING FEMALE 172233-1	
13	880952	SPRING FAN SUSPENDEED FC	
	* 882956	SPRING FAN SUSP FC TRIANGULAR	
14	873399	COVER FAN FC FRONT 635 T P42	
	873398	COVER FC FRONT 635 B ELECT	E372BL
	873398	COVER FC FRONT 635 B ELECT	E372BR
	873398	COVER FC FRONT 635 B ELECT	E402BL
	873398	COVER FC FRONT 635 B ELECT	E402BR
15	880423	DEFLECTOR CHASSIS 635/680	E372BL
	880423	DEFLECTOR CHASSIS 635/680	E372BR
	880423	DEFLECTOR CHASSIS 635/680	E402BL
	880423	DEFLECTOR CHASSIS 635/680	E402BR
16	880448	CLIP CHASSIS HEATER B MODEL	E372BL
	880448	CLIP CHASSIS HEATER B MODEL	E372BR
	880448	CLIP CHASSIS HEATER B MODEL	E402BL
	880448	CLIP CHASSIS HEATER B MODEL	E402BR
17	880724	DEFLECTOR AIR FLOW	
18	871463	CLIP TUBE EVAP PLASTIC	
19	855299	CLIP HEATER 20MM EVAP FIN	
20	876771	FILTER 'P' CATCHER DRAIN	E372BL
	876771	FILTER 'P' CATCHER DRAIN	E372BR
	876771	FILTER 'P' CATCHER DRAIN	E402BL
	876771	FILTER 'P' CATCHER DRAIN	E402BR

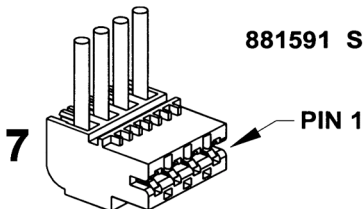
## ACTV SMART ST4 TERMINALS PLUGS & SOCKETS

### ACTIVE SMART STAGE 4 TERMINALS, PLUGS AND SOCKETS

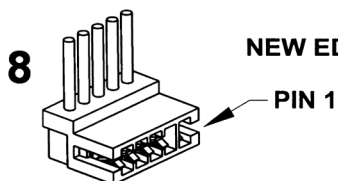


881588 STOCKO 9290-02-AB01-000-960 (Mains cord)  
881589 STOCKO 9290-02-BA01-000-960 (Defrost Heater)  
881590 STOCKO 9290-02-EE01-000-960 (Run Capacitor)

**NOTE THAT IN THE PART NAMES OF THESE CONNECTORS, THE -02- REFERS TO IT BEING A 2 WAY CONNECTOR, AND THE -AB01- (FOR EXAMPLE) REFERS TO THE CODING OF THE CONNECTOR. STOCKO IS THE MANUFACTURER OF THESE CONNECTORS.**



881591 STOCKO 9290-04-EF02-000-960  
(COMPRESSOR CABLE)



**NEW EDGE CONNECTOR SERIES WITH INTERNAL CODING –  
NOTE THE WALL.**

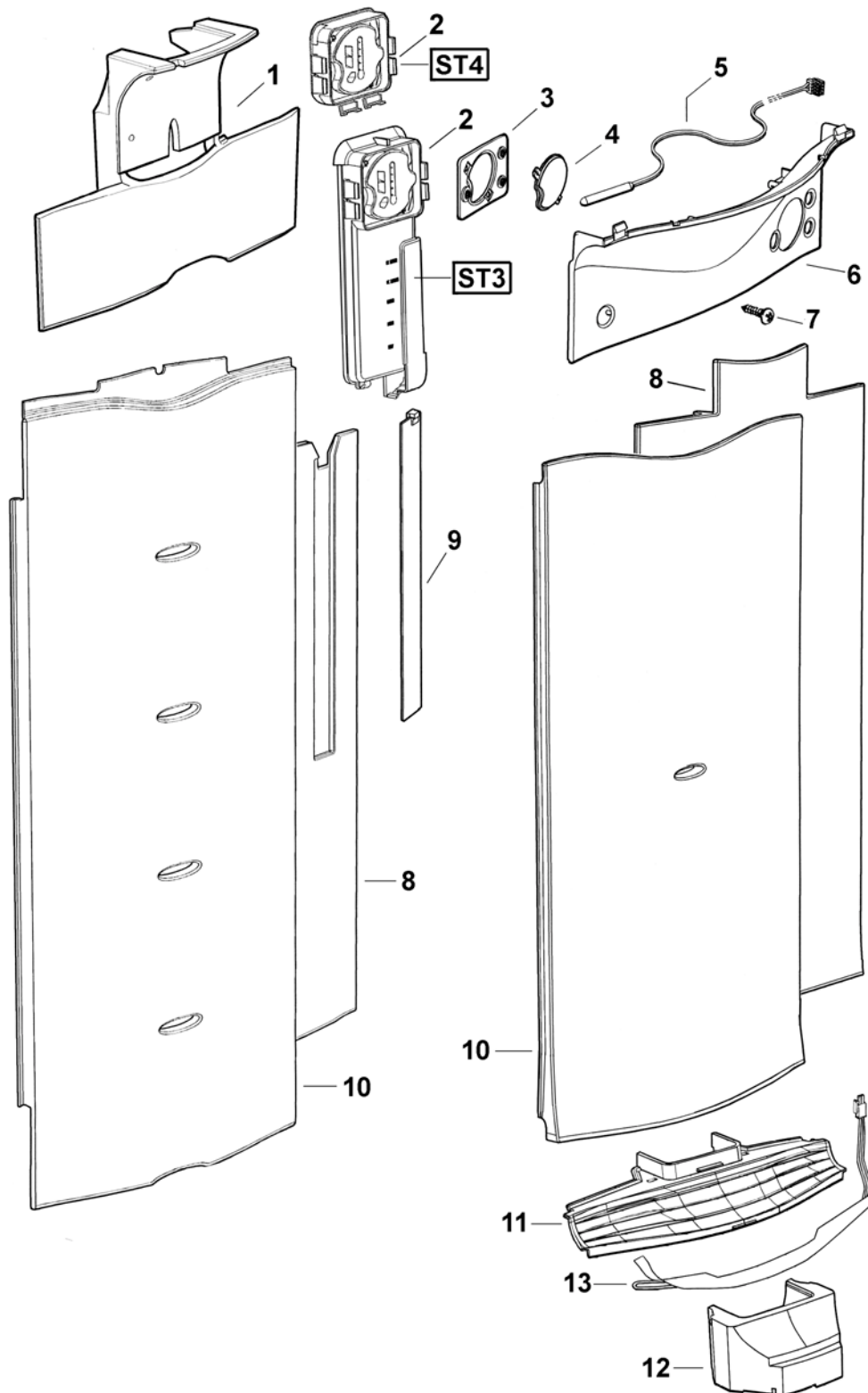
**NOTE: TO MINIMISE THE NUMBER OF SPARE PARTS THAT NEED TO BE CARRIED, THESE CODED CONNECTORS ARE TO BE REPLACED WITH THEIR UN-CODED EQUIVALENTS. FOR THE 3, 5 AND 6 WAY CONNECTORS USED ON STAGE 4 CABINETS**



**ACTV SMART ST4 TERMINALS PLUGS & SOCKETS**

<b>REF</b>	<b>PART</b>	<b>DESCRIPTION</b>	<b>MODEL</b>
1	881595	MOLEX SKT 16-22AWG 50597-8100 (16-22AWG)	
	881596	MOLEX SKT 20-26AWG 50598-8100 (20-26AWG)	
2	881597	MOLEX PIN 16-22AWG 50599-8100 (16-22AWG)	
	881598	MOLEX PIN 20-26AWG 50600-8100 (20-26AWG)	
3	881592	MOLEX CAP FEMALE 51139-0200	
4	881593	MOLEX PLUG MALE 51138-0200	
5	881594	MOLEX RETAINER 51140-0205	
6	881588	STOCKO 9290-02-AB01-000-960 (MAINS CORD)	
	881589	STOCKO 9290-02-BA01-960 (DEFROST HEATER)	
	881590	STOCKO 9290-02-EE01-000-960 (RUN CAP)	
7	881591	STOCKO 9290-04-EF02-000-960 (COMP CABLE)	
8	873243	STOCKO 7234-012-500-450	
	873247	STOCKO 7234-006-500-450	
	873248	STOCKO 7234-010-500-450	
	873250	STOCKO 7234-004-500-450	
	873251	STOCKO 7234-003-500-450	
	873279	STOCKO 7234-008-500-450	
	881135	STOCKO 7234-005-500-450	
	881136	STOCKO 7234-014-500-450	
	881137	STOCKO 7234-017-500-450	

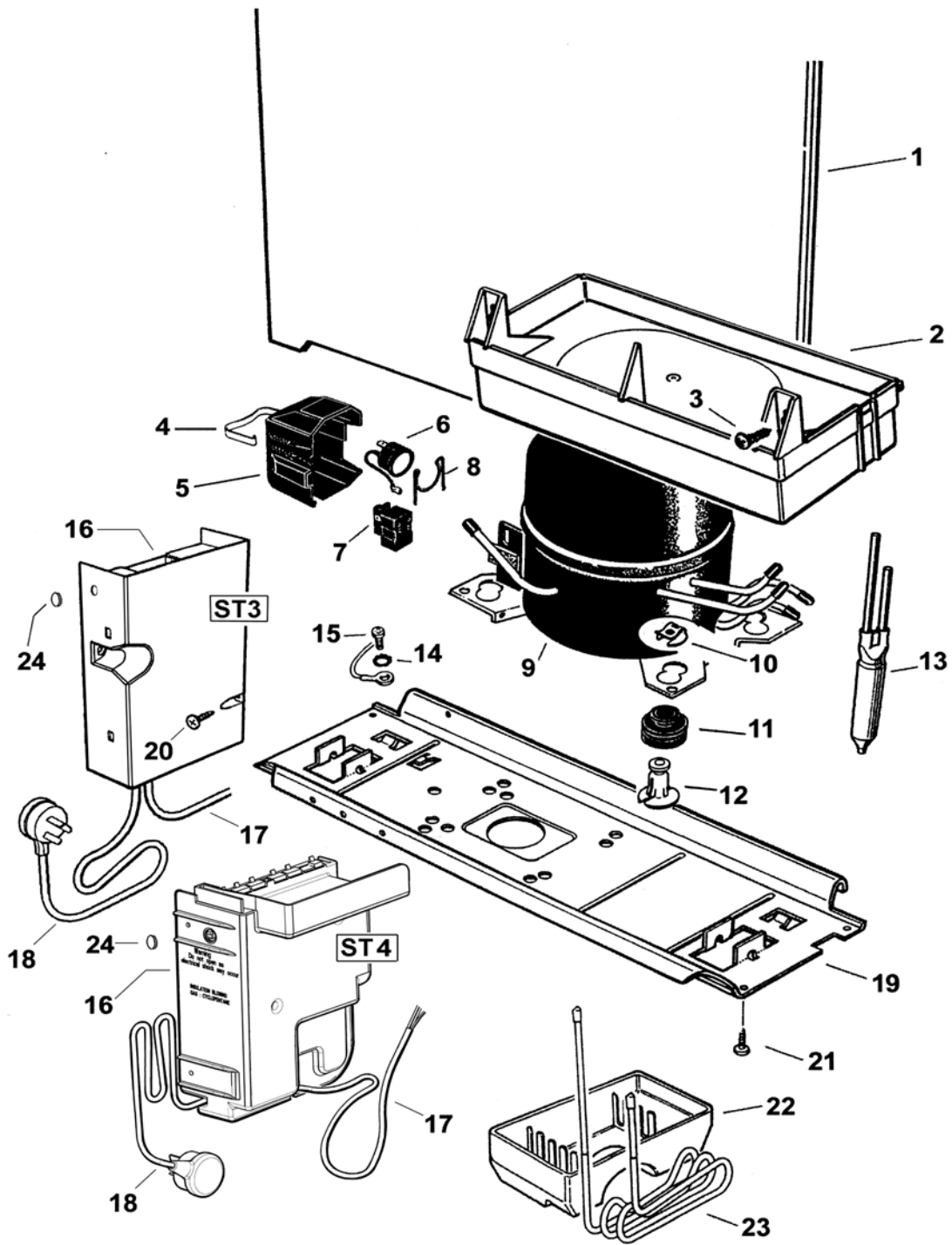
## ELECTRONIC MODULE AND DUCT COVERS



**ELECTRONIC MODULE AND DUCT COVERS**

<b>REF</b>	<b>PART</b>	<b>DESCRIPTION</b>	<b>MODEL</b>
1	880759	INSULATN COVR DUCT TOP T&H MOD	E331T
2	880733P	MODULE CONTRL ELEC-WITH BC ST3	
	881218P	MODULE DISPLAY ELEC-WITH BC ST4	
3	880779	GASKET CONTROL MODULE ELECTRON	
4	874720	LENS LED PRINTED ELECT WITH BC	
	874723	LENS LED PRINTED ELECT NON BC	
5	855203P	SENSOR KIT ASSY	
6	881325	COVR DUCT TOP T&H MOD HS MD GY	
	881336	COVER DUCT TOP B MODL HS MD GY	
7	SP0056P	SCREW 8X12 TAB PAN PH SS PKT10	
8	881014	INSULATION COVER DUCT SHORT T	E331T
	873971	INSULATION COVER DUCT E372B	E372B
	881013	INSULATION COVER DUCT MED T	E381T
	873950	INSULATION COVER DUCT LONG B	E402B
	881012	INSULATION COVER DUCT LONG T&H	E411T
9	880571	HTR PCB LO AMB T&H MODELS ST4	
	881482	HTR PCB LO AMB T&H MODELS ST3	
10	877878	COVER DUCT T MODEL SHORT	E331T
	873264	COVER DUCT B MODELS SHORT	E372B
	877877	COVER DUCT T MODEL MEDIUM	E381T
	881191	COVER DUCT B MODEL LONG	E402B
	873583	COVER DUCT T MODEL LONG	E411T
	873583	COVER DUCT T MODEL LONG	E415H
11	880196	COVER PC RETURN AIR B MODEL	
12	872833	INSULATN INSERT PLUG-IN 635 B MODL	
13	880407	HEATER LOW AMBIENT B MODEL	

# COMPRESSOR AND POWER MODULE



**COMPRESSOR AND POWER MODULE**

<b>REF</b>	<b>PART</b>	<b>DESCRIPTION</b>	<b>MODEL</b>
1	874881	PANEL BACK ASSY 400H,395B,N388	
	874879	PANEL BACK ASSY C370, C335T	E331T
	874880	PANEL BACK ASSY N375T, C380B	E372B
	874880	PANEL BACK ASSY N375T, C380B	E381TL
2	872349	TRAY WATER EVAP TOP HAT MOULD	
	876653	TRAY WATER EVAPORATOR NOTCHED	
3	SP0201P	SCREW 8X12 PAN PH NIB PKT10	
4	209673#	CLAMP PROTECTOR COVER MAT	
5	209078	COVER PROTECTOR COMPRESSOR MAT	
	209995	PROTECTOR COVER EMBRACO	
6	207055	OVERLOAD 4TM 283ULBY53 115V	
	209042	OVERLOAD 189RHBYY FGS80	
	209080	OVERLOAD MM3-19ECF	
	209082	OVERLOAD MM3-22FCF	
	209890	OVERLOAD 189NFBYY FGS70	
7	209715	RELAY PTC EMB 8EA-103 115V60HZ	
	209988	RELAY PTC D SERIES MM8-5DDT33M	
	209993	RELAY PTC EMBRACO 8EA 503	
8	209674	CLIP O/LOAD 01-246801	
9	209490P	COMPR MAT DC66C12R 240V 50HZ	E331T
	209078	<i>COVER PROTECTOR COMPRESSOR MAT</i>	
	209080	<i>O/LOAD MM3-19ECF</i>	
	209673	<i>CLAMP PROTECTOR COVER MAT</i>	
	209674	<i>CLIP O/LOAD 01-246801</i>	
	209988	<i>RELAY PTC D SERIES MM8-5DDT33M</i>	
	502173	<i>FILTER DRIER 12 GR DUAL BRAZED</i>	
	872838	<i>GROMMET COMPRESSOR MOUNTING</i>	
	209053P	COMPR EMB FGS80HAW 240V 50HZ	E372B
	209042	<i>O/LOAD 189RHBYY FGS80</i>	
	209993	<i>RELAY PTC EMBRACO 8EA 503</i>	
	209995	<i>PROTECTOR COVER EMBRACO</i>	
	209674	<i>CLIP O/LOAD 01-246801</i>	
	209996	<i>RETAINER CABLE EMBRACO</i>	
	502173	<i>FILTER DRIER 12 GR DUAL BRAZED</i>	
	872838	<i>GROMMET COMPRESSOR MOUNTING</i>	
9	209491P	COMPR MAT DB73C13R 240V 50HZ	E381T
	209078	<i>COVER PROTECTOR COMPRESSOR MAT</i>	
	209082	<i>O/LOAD MM3-22FCF</i>	
	209673#	<i>CLAMP PROTECTOR COVER MAT</i>	
	209674	<i>CLIP O/LOAD 01-246801</i>	
	209988	<i>RELAY PTC D SERIES MM8-5DDT33M</i>	
	502173	<i>FILTER DRIER 12 GR DUAL BRAZED</i>	
	872838	<i>GROMMET COMPRESSOR MOUNTING</i>	
	209770P	COMPR EMB FGS70HAW 240V 60HZ	E381T
	209674	<i>CLIP O/LOAD 01-246801</i>	
	209890	<i>O/LOAD COMPR 189NFBYY FGS70</i>	
	209993	<i>RELAY PTC EMBRACO 8EA 503</i>	
	209995	<i>PROTECTOR COVER EMBRACO</i>	
	209996	<i>RETAINER CABLE EMBRACO</i>	
	502173	<i>FILTER DRIER 12 GR DUAL BRAZED</i>	
	872838	<i>GROMMET COMPRESSOR MOUNTING</i>	

**COMPRESSOR AND POWER MODULE**

<b>REF</b>	<b>PART DESCRIPTION</b>	<b>MODEL</b>
207054P	COMPR EMB FGS270 <b>115V 60HZ</b>	E402B
	207055 OVERLAOD 4TM 283ULBYY53 115V	
	209673# CLAMP PROTECTOR COVER MAT	
	209674 CLIP O/LOAD 01-246801	
	209715 RELAY PTC EMB 8EA-103 115V60HZ	
	209995 PROTECTOR COVER EMBRACO	
	209996 RETAINER CABLE EMBRACO	
	502173 FILTER DRIER 12 GR DUAL BRAZED	
	872838 GROMMET COMPRESSOR MOUNTING	
209053P	COMPR EMB FGS80HAW 240V 50HZ	E402B
	209042 O/LOAD 189RHBYY FGS80	
	209674 CLIP O/LOAD 01-246801	
	209993 RELAY PTC EMBRACO 8EA 503	
	209995 PROTECTOR COVER EMBRACO	
	209996 RETAINER CABLE EMBRACO	
	502173 FILTER DRIER 12 GR DUAL BRAZED	
	872838 GROMMET COMPRESSOR MOUNTING	
9	207054P	E411T
	COMPR EMB FGS270 <b>115V 60HZ</b>	
	207055 OVERLAOD 4TM 283ULBYY53 115V	
	209673# CLAMP PROTECTOR COVER MAT	
	209674 CLIP O/LOAD 01-246801	
	209715 RELAY PTC EMB 8EA-103 115V60HZ	
	209995 PROTECTOR COVER EMBRACO	
	209996 RETAINER CABLE EMBRACO	
	502173 FILTER DRIER 12 GR DUAL BRAZED	
	872838 GROMMET COMPRESSOR MOUNTING	
	209053P	E411T
	COMPR EMB FGS80HAW 240V 50HZ	
	209042 O/LOAD 189RHBYY FGS80	
	209674 CLIP O/LOAD 01-246801	
	209993 RELAY PTC EMBRACO 8EA 503	
	209995 PROTECTOR COVER EMBRACO	
	209996 RETAINER CABLE EMBRACO	
	502173 FILTER DRIER 12 GR DUAL BRAZED	
	872838 GROMMET COMPRESSOR MOUNTING	
	209770P	E411T
	COMPR EMB FGS70HAW 240V 60HZ	
	209674 CLIP O/LOAD 01-246801	
	209890 O/LOAD COMPR 189NFBYY FGS70	
	209993 RELAY PTC EMBRACO 8EA 503	
	209995 PROTECTOR COVER EMBRACO	
	209996 RETAINER CABLE EMBRACO	
	502173 FILTER DRIER 12 GR DUAL BRAZED	
	872838 GROMMET COMPRESSOR MOUNTING	
9	207054P	E415H
	COMPR EMB FGS270 <b>115V 60HZ</b>	
	207055 OVERLAOD 4TM 283ULBYY53 115V	
	209673# CLAMP PROTECTOR COVER MAT	
	209674 CLIP O/LOAD 01-246801	
	209715 RELAY PTC EMB 8EA-103 115V60HZ	
	209995 PROTECTOR COVER EMBRACO	
	209996 RETAINER CABLE EMBRACO	
	502173 FILTER DRIER 12 GR DUAL BRAZED	
	872838 GROMMET COMPRESSOR MOUNTING	

**COMPRESSOR AND POWER MODULE**

<b>REF</b>	<b>PART</b>	<b>DESCRIPTION</b>	<b>MODEL</b>
	209053P	COMPR EMB FGS80HAW 240V 50HZ	E415H
	209042	O/LOAD 189RHBYY FGS80	
	209674	CLIP O/LOAD 01-246801	
	209993	RELAY PTC EMBRACO 8EA 503	
	209995	PROTECTOR COVER EMBRACO	
	502173	FILTER DRIER 12 GR DUAL BRAZED	
	872838	GROMMET COMPRESSOR MOUNTING	
	209996	RETAINER CABLE EMBRACO	
10	855270	CLIP COMPRESSOR MOUNTING	
11	872838	GROMMET COMPRESSOR MOUNTING	
12	850265	PIN COMPRESSOR MOUNTING	
13	502173	FILTER DRIER 12 GR DUAL BRAZED	
14	900101	WASHER LOCK NO 10 EXT SP ZP	
15	900377	SCREW 8X32X8 TY T PAN PH ZP	
16	880815P	POWER & SWITCH MODULE 240V ST3	
	880816P	POWER & SWITCH MODULE 110V ST3	
	880817P	POWER & SWITCH MODL BC 240V ST3	
	881210P	MODULE PWR CONTL BC 230V ST4	
	881212P	MODULE PWR CONTROL 230V ST4	
	881215P	MODULE PWR CONTROL 110V ST4	
17	871388	HARNESS COMPRESSOR 3 CORE ST3	
	871389	HARNESS COMPRESSOR 4 CORE ST3	
	881234	HARNESS COMPRESSOR 3 CORE ST4	
	881235	HARNESS COMPRESSOR 4 CORE ST4	
18	855274	CABLE MAINS 2PIN EURO 230V ST3	
	855275	CABLE MAIN 3PIN ULSTD 110V ST3	
18	873354	CABLE MAIN 3 FLAT PIN 230V ST3	
	873356	CABLE MAIN 3PIN FUSED 230V ST3	
	812249	CABLE MAIN 2 FLAT PIN 240V ST3	
	881400	CABLE MAIN 3 FLAT PIN 230V ST4	
	881401	CABLE MAIN 3PIN FUSED 230V ST4	
	881402	CABLE MAINS 2PIN EURO 230V ST4	
	881403	CABLE MAIN 3PIN ULSTD 110V ST4	
	881405	CABLE MAIN 2 FLAT PIN 240V ST4	
19	878487	TRAY COMP MOUNTING 635	
20	871452	SCREW 4X20 PH ST	
	880564	SCREW 7 X 20 RD HD NO 2 SQ DR	
21	901525	SCREW 8X16 PAN NIB STZP PHOS C	
22	873228	TRAY WATER OVERFLOW	
23	882775	TUBE HEATER SHEATHED 4.76MM	
24	875861	PLUG PLASTIC LT GY 14MM	
		<u>PARTS NOT ILLUSTRATED</u>	
I	207058	CAPACITOR RUN 4UF 400V ST3	
	207062	CAPACITOR RUN 4UF 400V ST4	
	207061	CAPACITOR RUN 20UF 250V ST4	
	209299	CAPACITOR RUN 20UF 250V ST3	
	880944	LABEL WIRING DIAGRAM ELECT ST3	
	875113	SUCTION & CAPILLARY E440T	
	874810	SUCTION & CAPIL ASSY E442B	E372BL
	874810	SUCTION & CAPIL ASSY E442B	E372BR
	874810	SUCTION & CAPIL ASSY E442B	E402BL
	874810	SUCTION & CAPIL ASSY E442B	E402BR





## NOTES

### DOORS TOP FZR-WITH CURVED PLASTIC HANDLE

#### Notes

19	Doors Are Not Supplied With Gaskets
27	Prior To Serial Number AKR 208492 Use Part # 880654. From Serial Number AKR 208492 Use Part # SP0008
311024P	Doors Are Not Supplied With Gaskets
312028P	Doors Are Not Supplied With Gaskets

### DOORS BTM FZR-WITH CURVED PLASTIC HANDLE

#### Notes

14	Doors Are Not Supplied With Gaskets
26	Prior To Serial Number AKR 208492 Use Part # 880654. From Serial Number AKR 208492 Use Part # SP0008

### CABINET TOP FREEZER

#### Notes

878582	Only available as complete assembly please order part number 880820
878583	Only available as complete assembly please order part number 880820
881166	Shelf Assembly PT No.881166 used in all 635 cabinets manufactured in N.Z from Serial Number NHR143029 onwards,this shelf will fit all positions within the provision compartment.

### CABINET BOTTOM FREEZER

#### Notes

877222	Model C370 manufactured in Australia, use only shelf assembly PT No 877222, also used in 635 cabinets manufactured in N.Z up to Serial Number NHR143029
878582	Only available as complete assembly please order part number 880820
878583	Only available as complete assembly please order part number 880820
881166	Shelf Assembly PT No.881166 used in all 635 cabinets manufactured in N.Z from Serial Number NHR143029 onwards,this shelf will fit all positions within the provision compartment.

### CABINET TOP & BOTTOM FREEZER

#### Technical Bulletins

883253P	RF025
---------	-------

### FAN AND EVAPORATOR ASSEMBLIES

#### Technical Bulletins

880543	RF008
880544	RF008
880923	RF008
880955	RF008
882845	RF021
882956	RF021



## REFRIGERATION ABBREVIATION KEY

### DESCRIPTION KEY

<b>PC</b>	<b>PROVISION COMPARTMENT</b>
<b>FC</b>	<b>FREEZER COMPARTMENT</b>
<b>HCL</b>	<b>HUMIDITY CONTROL LID</b>
<b>HC</b>	<b>HUMIDITY COMPARTMENT</b>
<b>CZ</b>	<b>CHILL ZONE</b>
<b>HS</b>	<b>HOT STAMPED</b>
<b>X/RAIL</b>	<b>CROSS RAIL</b>
<b>BC</b>	<b>BUTTER CONDITIONER</b>
<b>BS</b>	<b>“B” SERIES CABINET</b>
<b>CH</b>	<b>CHARCOAL COLOUR</b>
<b>LT GY</b>	<b>LIGHT GREY COLOUR</b>
<b>MD GY</b>	<b>MID GREY COLOUR</b>
<b>DK GY</b>	<b>DARK GREY COLOUR</b>
<b>SATIN or SC</b>	<b>SATIN CHROME FINISH</b>
<b>S/STONE</b>	<b>SANDSTONE COLOUR</b>
<b>SS</b>	<b>STAINLESS STEEL</b>
<b>SL or SIL</b>	<b>SILVER</b>
<b>HAN P/C</b>	<b>HANDLE POWDER COATED</b>
<b>F&amp;P</b>	<b>FISHER &amp; PAYKEL</b>
<b>PUSHIN</b>	<b>PUSHIN TYPE GASKET</b>
<b>LH</b>	<b>LEFT HAND</b>
<b>RH</b>	<b>RIGHT HAND</b>
<b>LHT</b>	<b>LEFT HAND TOP</b>
<b>RHT</b>	<b>RIGHT HAND TOP</b>
<b>LHB</b>	<b>LEFT HAND BOTTOM</b>
<b>RHB</b>	<b>RIGHT HAND BOTTOM</b>
<b>SML</b>	<b>SMALL</b>
<b>DC</b>	<b>DIRECT CURRENT</b>
<b>10W</b>	<b>10 WATTS</b>
<b>12V</b>	<b>12 VOLTS</b>
<b>XH9</b>	<b>TYPE OF DESSICANT WITHIN A FILTER DRYER</b>
<b>M5</b>	<b>5 MILLIMETER</b>

## Free Manuals Download Website

<http://myh66.com>

<http://usermanuals.us>

<http://www.somanuals.com>

<http://www.4manuals.cc>

<http://www.manual-lib.com>

<http://www.404manual.com>

<http://www.luxmanual.com>

<http://aubethermostatmanual.com>

Golf course search by state

<http://golfingnear.com>

Email search by domain

<http://emailbydomain.com>

Auto manuals search

<http://auto.somanuals.com>

TV manuals search

<http://tv.somanuals.com>