

DOUBLE DishDrawer® INTEGRATED PANEL PREPARATION FOR INTEGRATED DOUBLE MODELS DD6031

(NOTE: FOR SINGLE DishDrawer® MODELS, REFER TO BACK OF THIS BOOK)

PLEASE NOTE: Your model of DishDrawer® may differ from the model shown in the diagrams. Diagrams have been simplified to enable clearer instruction. FOLLOW THESE INSTRUCTIONS BEFORE REFERRING TO PRODUCT INSTALLATION INSTRUCTION SHEET P/N 526607.

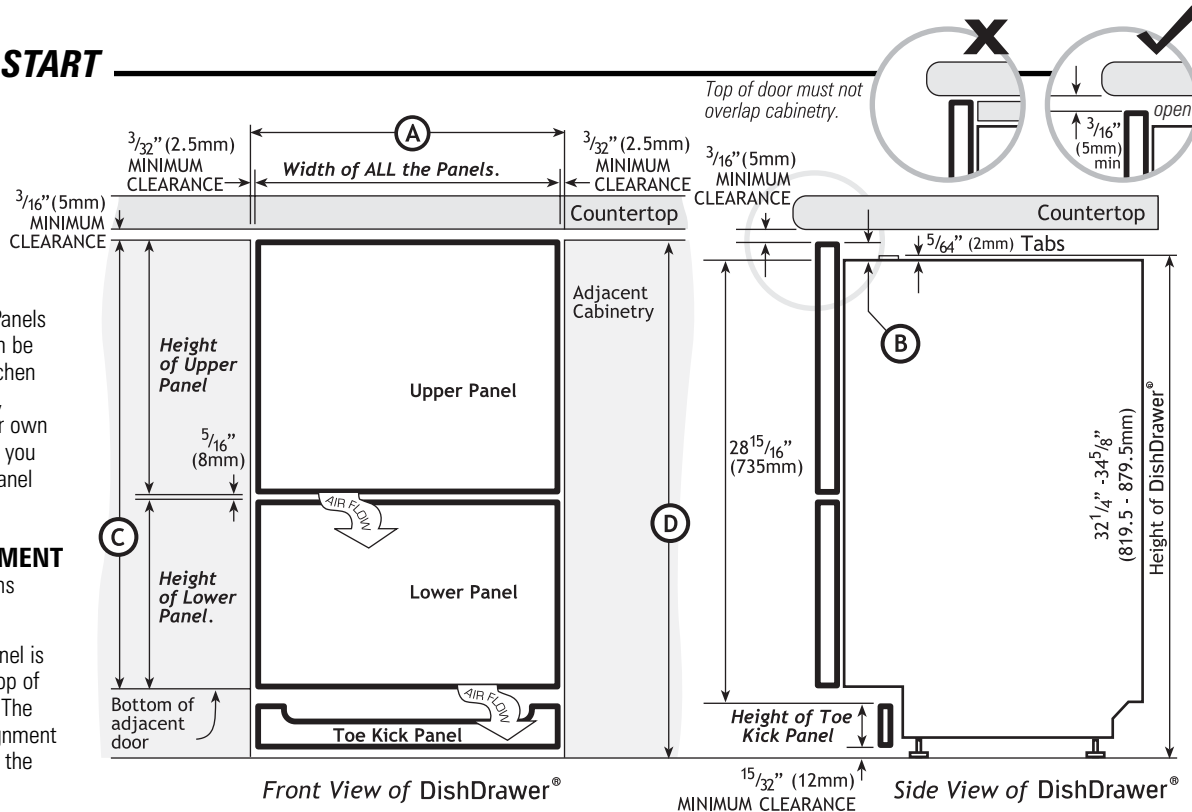
BEFORE YOU START

The Door and Toe Kick Panels of the DishDrawer® can be made to match your kitchen cabinetry. This diagram, with the addition of your own measurements will help you calculate the required panel sizes.

CABINERY ALIGNMENT

The following calculations assume:

The top of the Upper Panel is to be aligned with the top of the adjacent cabinetry. The final panel/cabinetry alignment is achieved by adjusting the DishDrawer®'s feet



WIDTH OF ALL PANELS

Measure (A) the width between adjacent door/drawer fronts and write it in the first box below, then complete the equation. For example:

$$\text{(A) } 24\frac{1}{4} \text{ (616mm)} - 2 \times \frac{3}{32} \text{ (2.5mm) door clearance} = 24\frac{1}{16} \text{ (611mm) width of all panels}$$

$$\text{(A) } \boxed{} - 2 \times \boxed{} = \boxed{}$$

door clearance (3/32" (2.5mm) MIN) width of all panels (23 7/16" (595mm) MIN)

HEIGHT OF UPPER PANEL

For example: $15\frac{5}{8} \text{ (398mm) standard height} + \text{(B) } 0\text{mm door extension} = 15\frac{5}{8} \text{ (398mm) height of upper panel}$

$$15\frac{5}{8} \text{ (398mm) standard height} + \text{(B) } \boxed{} \text{ door extension (0" recommended)} = \boxed{} \text{ height of upper panel}$$

HEIGHT OF LOWER PANEL

Measure (C) door/drawer height (or equivalent) and write it in the first box below, then complete the equation. For example:

$$\text{(C) } 30" \text{ (762mm)} - 15\frac{5}{8}" \text{ (398mm) height of upper panel} - \frac{5}{16}" \text{ (8mm) air gap} = 14\frac{1}{16}" \text{ (356mm) height of lower panel}$$

$$\text{(C) } \boxed{} - \boxed{} - \frac{5}{16} \text{ (8mm) gap between panels} = \boxed{} \text{ height of lower panel (12 } \frac{17}{64} \text{ (311.5mm) MIN)}$$

Note: The 'Door Extension' (B) allows for the top of the Upper Panel to be above the DishDrawer® where required.

Important!

The air vent between the Upper and Lower Panels must not be covered. An air gap of 5/16" (8mm) MUST be provided.

BEFORE YOU START

IMPORTANT

INTEGRATED PANEL THICKNESS

Upper and Lower Panel minimum thickness is 5/8" (16mm). Panel thicknesses above 11/16" (18mm) can be accommodated but product depth will increase accordingly.

INTEGRATED PANEL MATERIAL

Drawer Front material must be suitable for damp conditions (122°F/50°C @ 80% RH) and adequately sealed to withstand moisture. Additional protection can be provided by using a "Moisture Resistant Board". Taping edges alone may not provide adequate sealing. For painted panels, radius all rear edges to improve sealing.

⚠ WARNING!

BE SURE THE PRODUCT IS NOT PLUGGED IN.

Important!

The installation of the Panels requires an electrical connection and must be performed by a suitably qualified person.

TOE KICK PREPARATION

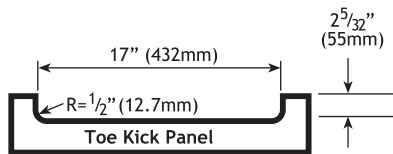
TOE KICK OPTIONS

- A)** The Black Prefinished Toe Kick Panel is supplied. Refer to Installation Instructions for preparation.
- B)** The Black Prefinished Toe Kick Panel can also have a front panel of your choice attached to it using screws or an adhesive.
- C)** A Toe Kick panel of any material with thickness from 3/8" - 3/4" (9-19mm) can be screwed to a plastic Toe Kick Mounting Bracket (supplied).

TOE KICK PANEL INSTALLATION DEPTH

When using a rectangular Toe Kick, the maximum depth, excluding the Toe Kick Panel is 2 5/8" (67mm).

To move the Toe Kick deeper the Toe Kick Panel must have the profile shown in the diagram below cut out of it. The maximum Toe Kick depth with the cut out excluding the Toe Kick Panel is 5" (127mm).



WIDTH OF TOE KICK PANEL

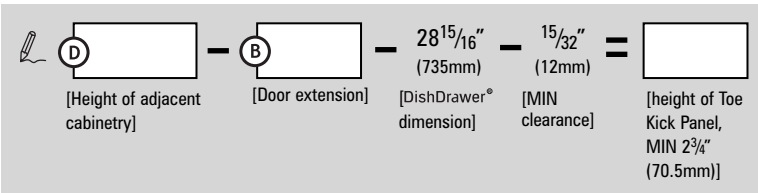
Refer to "Width of All Panels" on page 1.

HEIGHT OF TOE KICK PANEL

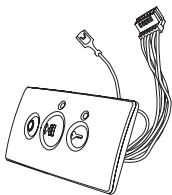
Refer to the diagram on page 1. Measure **D** the height from the top of the adjacent cabinet door fronts to the floor and write it in the first box below, then complete the equation.

For example:

$$\text{D } 34\frac{1}{4}" (870\text{mm}) - \text{B } 0" - 28\frac{15}{16}" (735\text{mm}) - 1\frac{15}{32}" (12\text{mm}) = 4\frac{27}{32}" (123\text{mm})$$

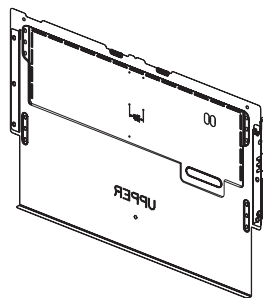


PARTS SUPPLIED



Integrated Rectangular Badge (2)
(Satin Chrome supplied)
p.n 526975

- Other Badges Available**
Rectangular:
 Bright Chrome Kit p.n 527276
 Brass Kit p.n 527277
Elipitical:
 Black Kit p.n 526683
 Satin Chrome Kit p.n 526684
 Bright Chrome Kit p.n 527156
 Brass Kit p.n 526685



Mounting Bracket (2)
(Upper and Lower)
p.n 526440 & 526441

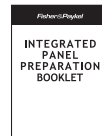


Door Front Seal (2)
p.n 526466



Toe Kick Mounting Bracket (1)
p.n 526682

INTEGRATED PARTS KIT part no. 526674



Panel Preparation Booklet (1)



Panel Mounting Screws (12)



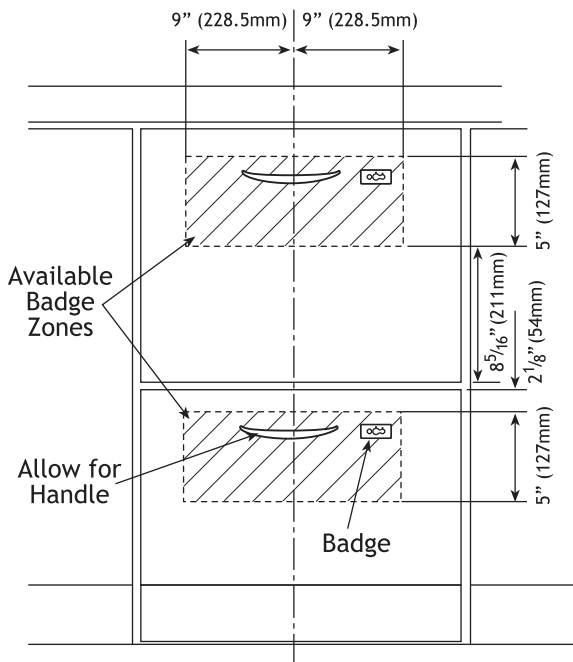
Toe Kick Mounting Screws (5)

TOOLS NEEDED

Safety Glasses, Tape Measure, Pencil, Needle-Nose Pliers, Drill & Phillips Bit or Phillips Screwdriver, Ø 1" (25.4mm) Boring Bit or Ø 1" (25.4mm) Hole Saw, Small Hand or Jig Saw.

READ THESE INSTRUCTIONS COMPLETELY AND CAREFULLY.

STEP 1: BADGE AND HANDLE POSITION



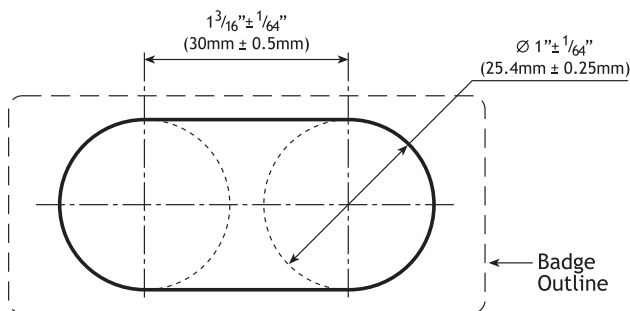
BADGE AND HANDLE POSITIONS

On both Panels, select the Badge position to suit the cabinetry design, within the available badge zones.

The Badge may be centered on the edge of the badge zone.

The handle position will also need to be taken into account.

STEP 2: BADGE CUT-OUT & BRACKET REMOVAL



(Not shown to scale)

BADGE CUT-OUT

Cut the badge slot in each Panel by drilling two 1" (25.4mm) diameter holes and cutting out the remaining material between the holes. A hole center to hole center template is provided on the Mounting Bracket.

⚠ WARNING!

Be sure the Product is not plugged in.

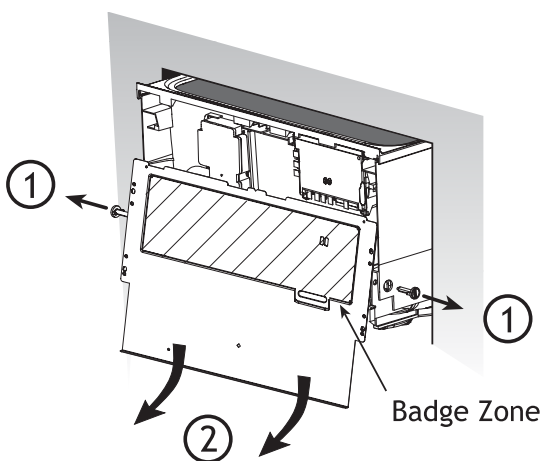
Important!

Accuracy is essential when cutting the Badge slot to be sure of a neat fit to hold the Badge.

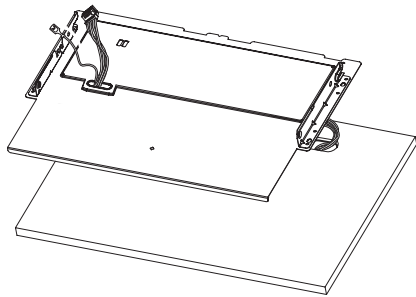
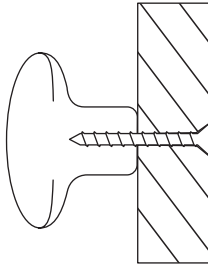
REMOVING THE BRACKET

- 1) To remove the Mounting Brackets withdraw the pins from the Drawer sides, using a pair of needle-nose pliers.
- 2) Gently slide the Mounting Bracket off in a downwards and outwards motion. Disconnect the Mounting Bracket and Badge grounding wires, also unplug the Badge harness from the Badge Isolator box. Remove the Badge from the Mounting Bracket.

NOTE: The four 1/8" (3.3mm) holes on the perimeter of the rectangular recess in the Mounting Bracket can also be used to define the badge zone.



STEP 3: FITTING THE HANDLE AND BADGE



FITTING THE HANDLE

Fit the customer supplied handle.

WARNING!

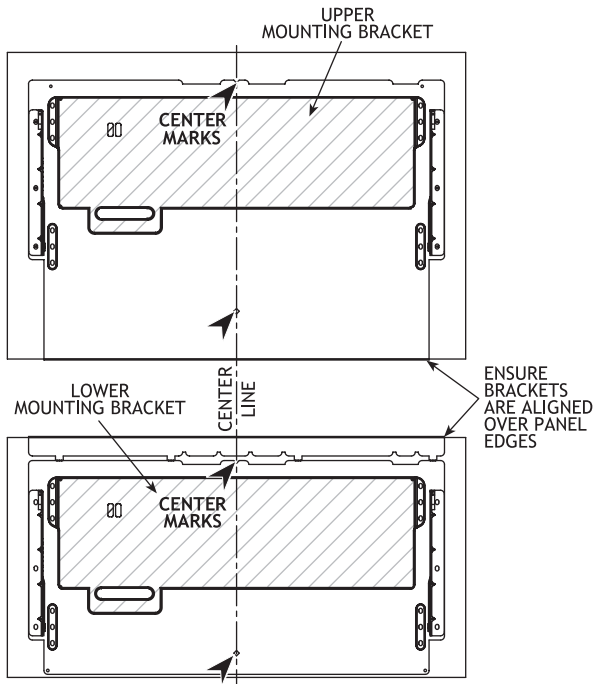
When mounting the handle, be sure fastenings do not protrude beyond the back surface of the Panel.

FITTING THE BADGE

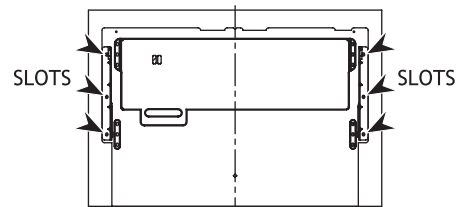
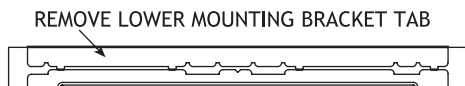
Fit a Badge to each Panel by feeding the wires through to the back and pressing the Badge into the cut out. If needed adhere the Badge to the Panel with an adhesive.

Feed the Badge wires through the slot in the Mounting Bracket. As the Mounting Bracket is placed on the rear of the Panel the excess wire must be pulled through.

STEP 4: SECURING THE MOUNTING BRACKETS



ENSURE BRACKETS ARE ALIGNED OVER PANEL EDGES



Each Mounting Bracket is directly screwed to the back of each Integrated Panel. On a soft surface centralize and align the Upper Mounting Bracket on the Upper Panel and the Lower Mounting Bracket on the Lower Panel.

Important!

For some materials pilot holes may need to be drilled first before screwing the Mounting Bracket onto the Panel. Be sure the drill does not damage the face of the Panel.

Important!

The mounting bracket must not be modified in any way. It is designed to hold the door front in the correct position to allow venting.

Important!

The top door front must not extend beyond the bottom of the mounting bracket. Drying problems and moisture damage may otherwise occur.

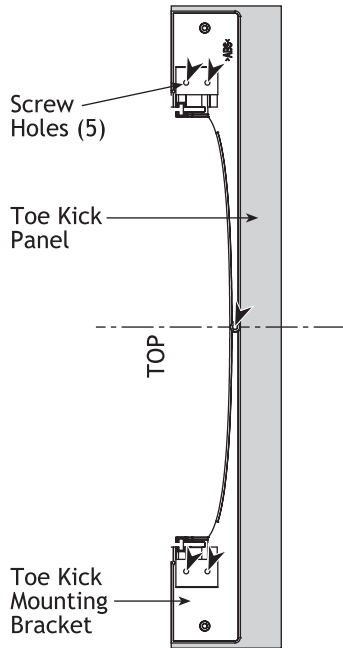
Important!

Break off the tab at the top of the Lower Mounting Bracket, after Panel has been secured.

Using six of the 5/8" (16mm) screws supplied, secure the Mounting Bracket to each Panel at the six points shown in the diagram.

NOTE: If the the six outermost slots are not able to be used to securely fix the Mounting Brackets to the Panel, choose any six well spaced slots about the Panel.

STEP 5: SECURING THE TOE KICK PANEL



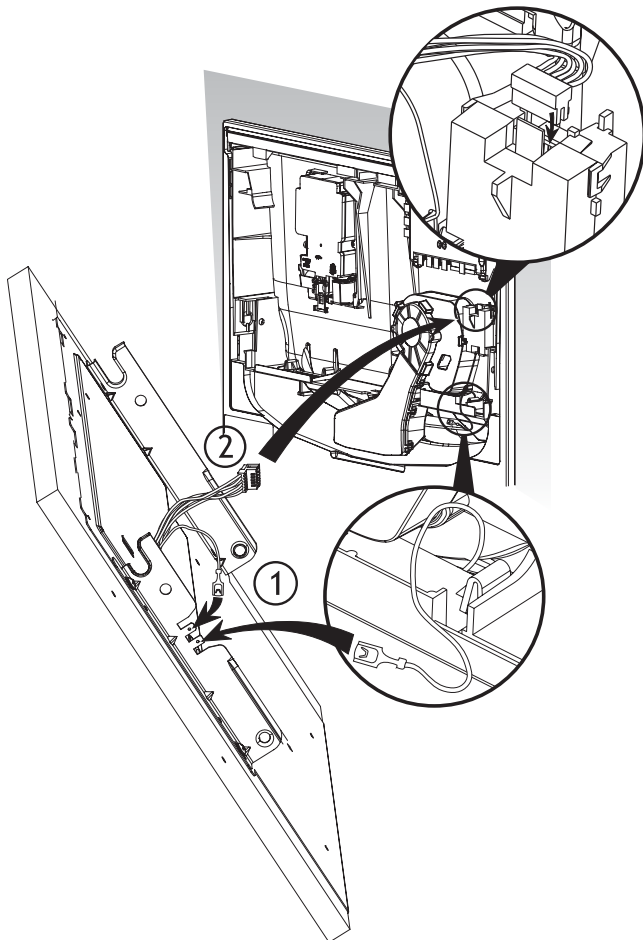
NOTE: If using the supplied Black Prefinished Toe Kick, proceed to Step 6 Grounding the Mounting Brackets and Connecting the Badge Wires.

Place Toe Kick Panel face down on a soft surface and mark a vertical center line.

Centralize the plastic Mounting Bracket on top of the Toe Kick Panel. Align the top of the Bracket with the top of the Panel.

Using 5 of the 5/8" (16mm) screws provided fix the Mounting Bracket to the Toe Kick Panel.

STEP 6: GROUNDING THE MOUNTING BRACKETS AND CONNECTING THE BADGE WIRES



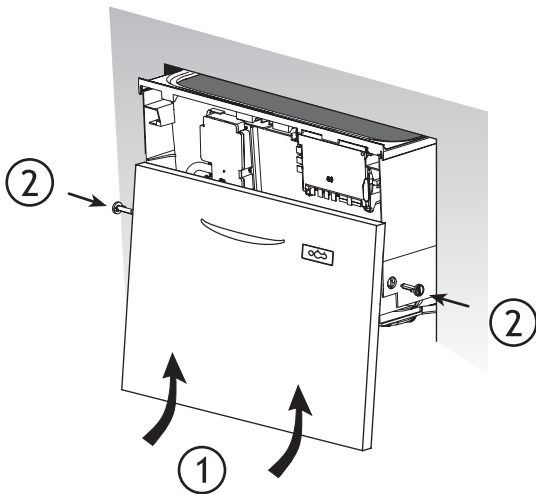
⚠ WARNING!

Be sure the Product is not plugged in.

- 1) Plug the green Badge grounding wire onto a Mounting Bracket tab. Plug the grounding wire from the Product onto the other Mounting Bracket tab.
- 2) Connect the Badge plug to the top of the Badge Isolator Box.

Important!

The Badge Isolator Board is an electrostatic sensitive device. Be sure you are adequately grounded when connecting or disconnecting the Badge by wearing a grounding strap or by grounding yourself to the DishDrawer®.

PANEL PREPARATION INSTRUCTIONS**STEP 7: FITTING THE PANELS TO THE PRODUCT**

Fit the assembled Panels by sliding in an inwards and upwards motion. The rubber seal between the Drawer and Panels must be kept in place.

Secure the Panels by inserting the pins on either side of the Drawer. Be sure that the rib on the pin is vertical.



NOTE: Do not fit the Toe Kick Panel (or supplied Black Prefinished Toe Kick) to the DishDrawer® until the Product is in the cavity.

Important!

The gap between doors must be $\frac{5}{16}$ " (8mm) or drying problems and moisture damage may occur.

INTEGRATED PANEL PREPARATION IS COMPLETE.

The Product is now ready to install. Refer to Product Installation Instruction Sheet P/N 526607.

CUSTOMER CARE

If you have any questions concerning the installation of this DishDrawer®, please contact your Fisher & Paykel Authorized Service Agent.

**USA**

Fisher & Paykel Appliances

27 Hubble
Irvine
CA 92618

Toll Free 1 888 9 FNP USA
1 888 9 367 872

www.usa.fisherpaykel.com

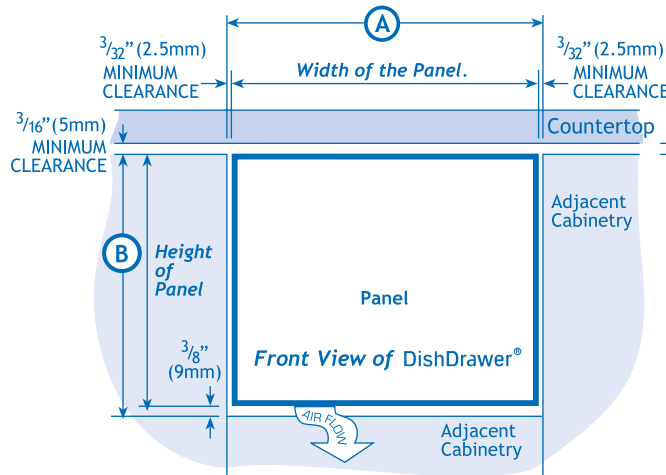
SINGLE DishDrawer® INTEGRATED PANEL PREPARATION

FOR INTEGRATED SINGLE MODELS DS603I

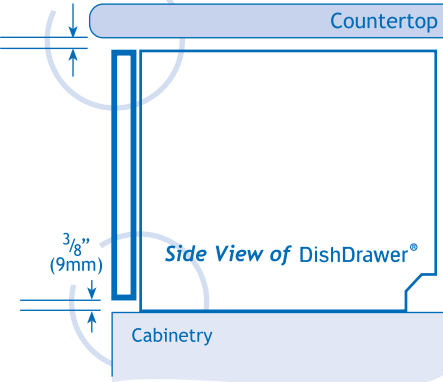
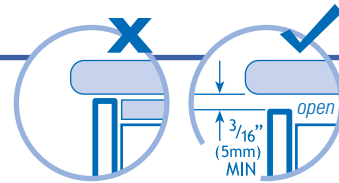
(NOTE: FOR DOUBLE DishDrawer® MODELS, REFER TO BACK OF THIS BOOK)

PLEASE NOTE: Your model of DishDrawer® may differ from the model shown in the diagrams. Diagrams have been simplified to enable clearer instruction. FOLLOW THESE INSTRUCTIONS BEFORE REFERRING TO PRODUCT INSTALLATION INSTRUCTION SHEET P/N 526607.

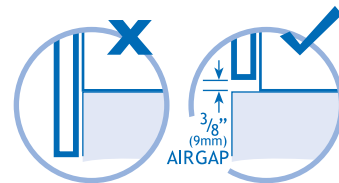
BEFORE YOU START



Top of door must not overlap cabinetry.



Installer must leave $\frac{3}{8}$ " (9mm) gap for correct ventilation.



WARNING
Be sure the Product is not plugged in.

The Door of the DishDrawer® can be made to match your kitchen cabinetry. This diagram, with the addition of your own measurements will help you calculate the required panel sizes.

WIDTH OF THE PANEL

Measure **A** the width between adjacent door/drawer fronts and write it in the first box below, then complete the equation.

For example: **A** $24\frac{1}{4}$ " (616mm) - 2 x $\frac{3}{32}$ " (2.5mm) = $24\frac{1}{16}$ " (611mm)

door clearance panel width

$\text{A} \boxed{} - 2x \boxed{} = \boxed{}$

door clearance panel width
($\frac{3}{32}$ " (2.5mm) MIN) ($23\frac{7}{16}$ " (595mm) MIN)

HEIGHT OF THE PANEL

Measure **B** door/drawer height (or equivalent) and write it in the first box below, then complete the equation.

For example: **B** 16 " (407mm) - $\frac{3}{8}$ " (9mm) = $15\frac{5}{8}$ " (398mm)

air gap panel height

$\text{B} \boxed{} - \frac{3}{8} (9\text{mm}) = \boxed{}$

gap between panels panel height
($15\frac{5}{8}$ " (398mm) MIN)

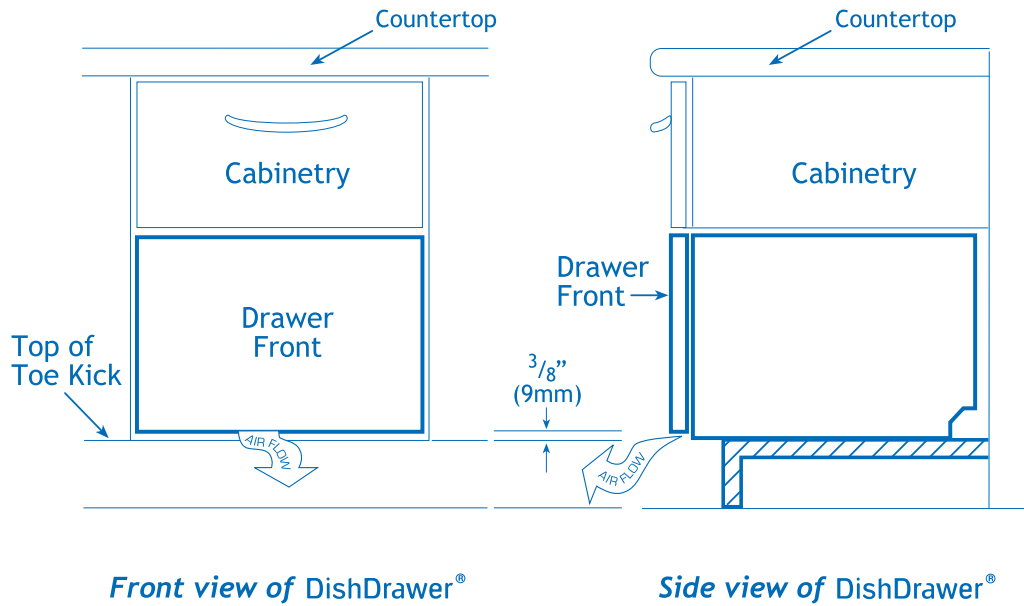
Note: When the top of the DishDrawer® has to be lower than the adjacent cabinetry, the Panel can be increased in height.

WARNING!

The air vent between the Panel and the adjacent cabinetry must not be covered. An air gap of $\frac{3}{8}$ " (9mm) MUST be provided.

BEFORE YOU START**LOW INSTALLATIONS**

Use this diagram if installing the DishDrawer® near floor level.



Front view of DishDrawer®

Side view of DishDrawer®

IMPORTANT**INTEGRATED PANEL THICKNESS**

Panel minimum thickness is 16mm. Panel thicknesses above 18mm can be accommodated but product depth will increase accordingly.

INTEGRATED PANEL MATERIAL

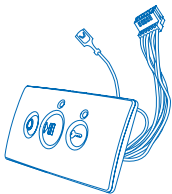
Drawer Front material must be suitable for damp conditions (122°F/50°C @ 80% RH) or adequately sealed to withstand moisture. Additional protection can be provided by using a "Moisture Resistant Board". Taping edges alone may not provide adequate sealing. For painted panels, radius all rear edges to improve sealing.

**WARNING!**

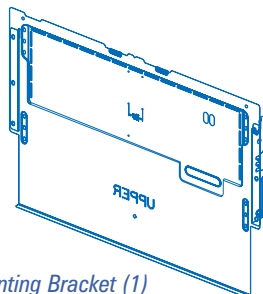
ENSURE THE PRODUCT IS NOT PLUGGED IN.

Important!

The installation of the Panel requires an electrical connection and must be performed by a suitably qualified person.

PARTS SUPPLIED

Integrated Rectangular Badge (1)
(Satin Chrome supplied)
p.n 526975



Mounting Bracket (1)
p.n 526440

Other Colours Available**Rectangular:**

Bright Chrome Kit p.n 527276

Brass Kit p.n 527277

Elliptical:

Black Kit p.n 526683

Satin Chrome Kit p.n 526684

Bright Chrome Kit p.n 527156

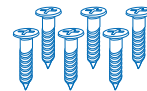
Brass Kit p.n 526685



Door Front Seal (1)
p.n 526466

INTEGRATED PARTS KIT part no. 526675

Panel
Preparation
Booklet (1)



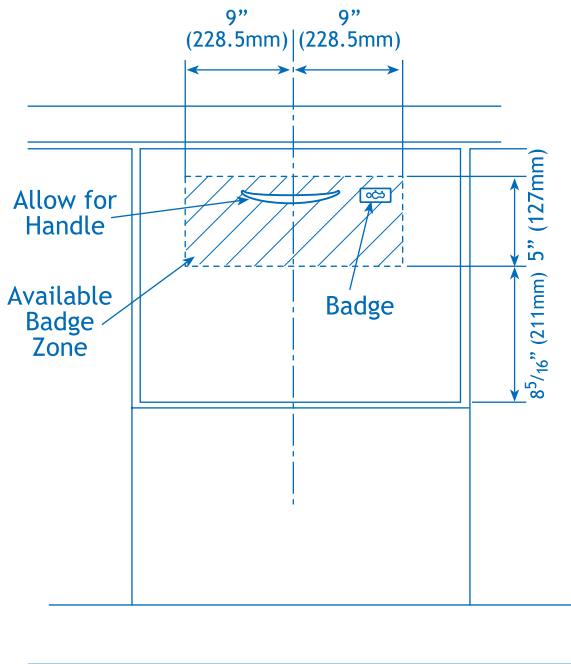
Panel
Mounting
Screws (6)

TOOLS NEEDED

Safety Glasses, Tape Measure, Pencil, Needle-Nose Pliers, Drill & Phillips Bit or Phillips Screwdriver, Ø 1" (25.4mm) Boring Bit or Ø 1" (25.4mm) Hole Saw, Small Hand or Jig Saw.

READ THESE INSTRUCTIONS COMPLETELY AND CAREFULLY.

STEP 1: BADGE AND HANDLE POSITION



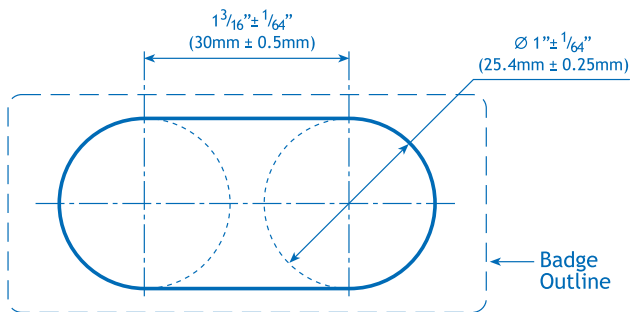
BADGE AND HANDLE POSITIONS

On both Panel, select the Badge position to suit the cabinetry design, within the available badge zone.

If required, the Badge may be centered on the edge of the badge zone.

The handle position will also need to be taken into account.

STEP 2: BADGE CUT-OUT & BRACKET REMOVAL



(Not shown to scale)

BADGE CUT-OUT

Cut the badge slot in the Panel by drilling two 1" (25.4mm) diameter holes and cutting out the remaining material between the holes. A hole center to hole center template is provided on the Mounting Bracket.

! WARNING!

Be sure the Product is not plugged in.

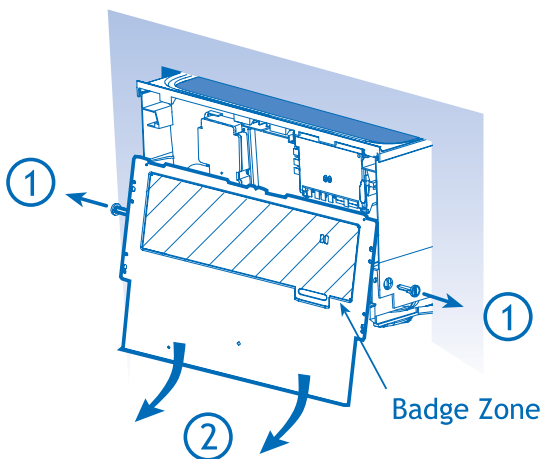
Important!

Accuracy is essential when cutting the Badge slot to ensure a neat fit to hold the Badge.

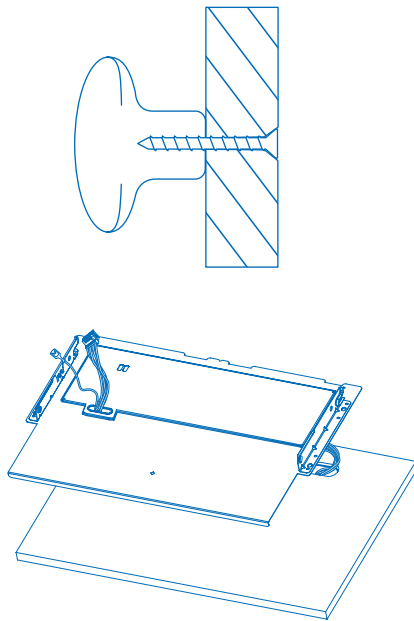
REMOVING THE BRACKET

- 1) To remove the Mounting Bracket withdraw the pins from the Drawer sides, using a pair of needle-nose pliers.
- 2) Gently slide the Mounting Bracket off in a downwards and outwards motion. Disconnect the Mounting Bracket and Badge grounding wires, also unplug the Badge harness from the Badge Isolator box. Remove the Badge from the Mounting Bracket.

NOTE: The four 1/8" (3.3mm) holes on the perimeter of the rectangular recess in the Mounting Bracket can also be used to define the badge zone.



STEP 3: FITTING THE HANDLE AND BADGE



FITTING THE HANDLE

Fit the customer supplied handle.

! WARNING!

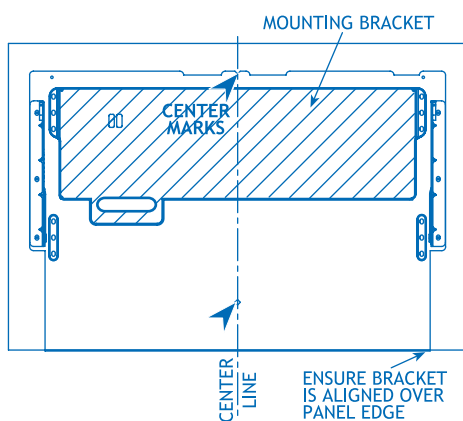
When mounting the handle, be sure fastenings do not protrude beyond the back surface of the Panel.

FITTING THE BADGE

Fit the Badge to the Panel by feeding the wires through to the back and pressing the Badge into the cut out. If needed adhere the Badge to the Panel with an adhesive.

Feed the Badge wires through the slot in the Mounting Bracket. As the Mounting Bracket is placed on the rear of the Panel the excess wire must be pulled through.

STEP 4: SECURING THE MOUNTING BRACKETS



The Mounting Bracket is directly screwed to the back of the Integrated Panel. On a soft surface centralize and align the Mounting Bracket on the Panel.

Important!

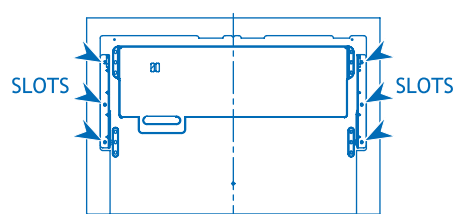
For some materials pilot holes may need to be drilled first before screwing the Mounting Bracket onto the Panel. Be sure the drill does not damage the face of the Panel.

Important!

The mounting bracket must not be modified in any way. It is designed to hold the door front in the correct position to allow venting.

Important!

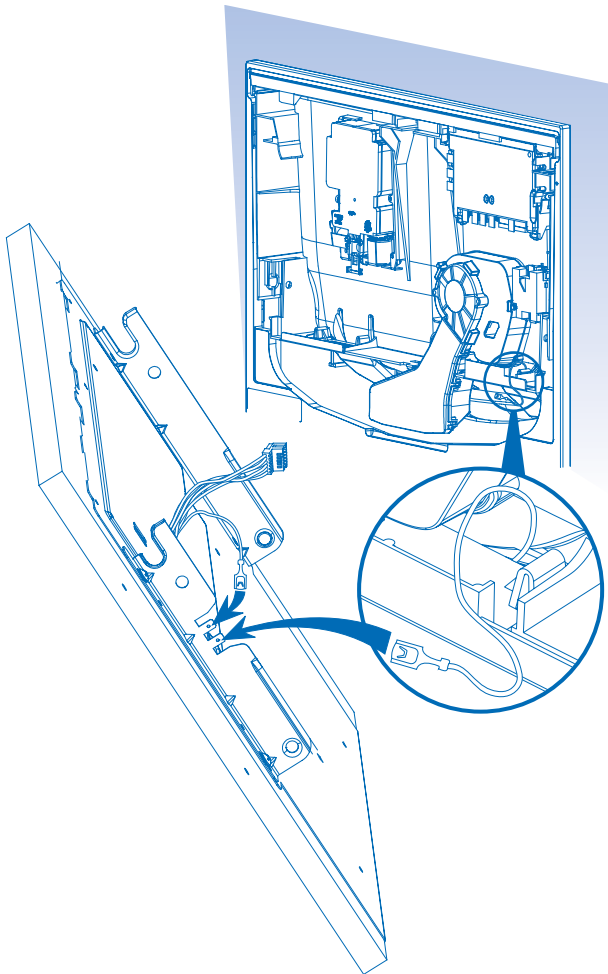
The door front must not extend beyond the bottom of the mounting bracket. Drying problems and moisture damage may otherwise occur.



Using six of the 5/8" (16mm) screws supplied, secure the Mounting Bracket to each Panel at the six points shown in the diagram.

NOTE: If the the six outermost slots are not able to be used to securely fix the Mounting Brackets to the Panel, choose any six well spaced slots about the Panel.

STEP 5: GROUNDING THE MOUNTING BRACKETS



⚠ WARNING!

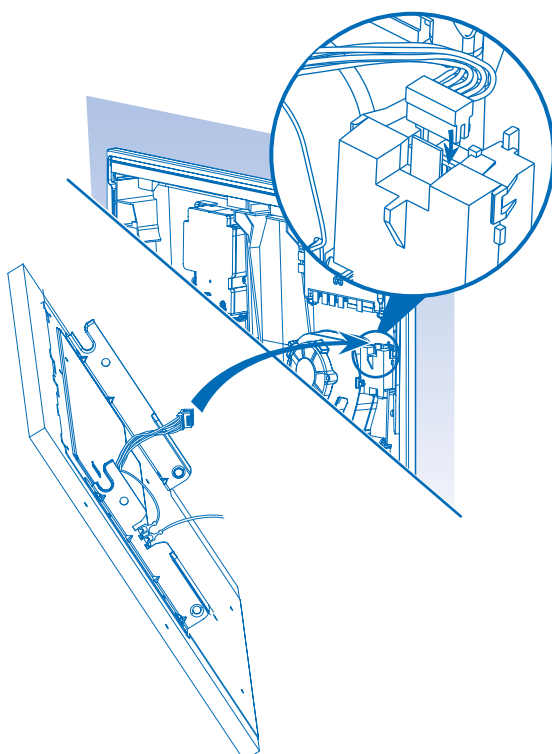
Be sure the Product is not plugged in.

Plug the green Badge grounding wire onto a Mounting Bracket tab. Plug the grounding wire from the Product onto the other Mounting Bracket tab.

⚠ WARNING!

The mounting bracket **MUST** be grounded.

STEP 6: CONNECTING THE BADGE WIRES



⚠ WARNING!

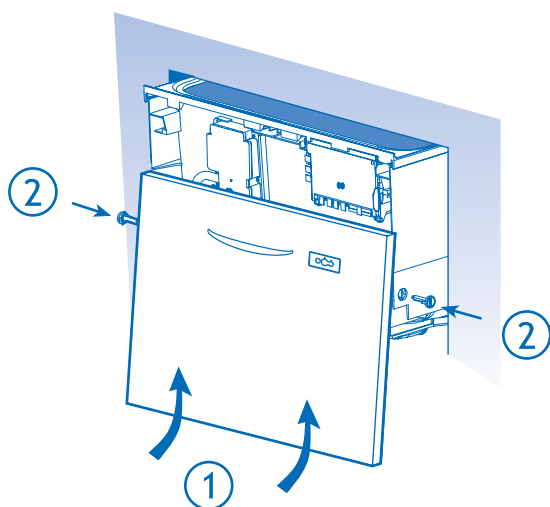
Be sure the Product is not plugged in.

Important!

The Badge Isolator Board is an electrostatic sensitive device. Be sure you are adequately grounded when connecting or disconnecting the Badge by wearing a grounding strap or by grounding yourself to the DishDrawer®.

Connect the Badge plug to the top of the Badge Isolator Box.

STEP 7: FITTING THE PANELS TO THE PRODUCT



Fit the assembled Panel by sliding in an inwards and upwards motion. The rubber seal between the Drawer and Panel must be kept in place.

Secure the Panel by inserting the pins on either side of the Drawer. Be sure that the rib on the pin is vertical.



Important!

The airflow gap between the bottom of the door panel and adjacent cabinetry must be $\frac{3}{8}$ " (9mm) or drying problems and moisture damage may occur.

INTEGRATED PANEL PREPARATION IS COMPLETE.

The Product is now ready to install. Refer to Product Installation Instruction Sheet P/N 526607.

CUSTOMER CARE

If you have any questions concerning the installation of this DishDrawer®, please contact your Fisher & Paykel Authorized Service Agent.



USA

Fisher & Paykel Appliances

27 Hubble
Irvine
CA 92618

Toll Free 1 888 9 FNP USA
1 888 9 367 872

Free Manuals Download Website

<http://myh66.com>

<http://usermanuals.us>

<http://www.somanuals.com>

<http://www.4manuals.cc>

<http://www.manual-lib.com>

<http://www.404manual.com>

<http://www.luxmanual.com>

<http://aubethermostatmanual.com>

Golf course search by state

<http://golfingnear.com>

Email search by domain

<http://emailbydomain.com>

Auto manuals search

<http://auto.somanuals.com>

TV manuals search

<http://tv.somanuals.com>