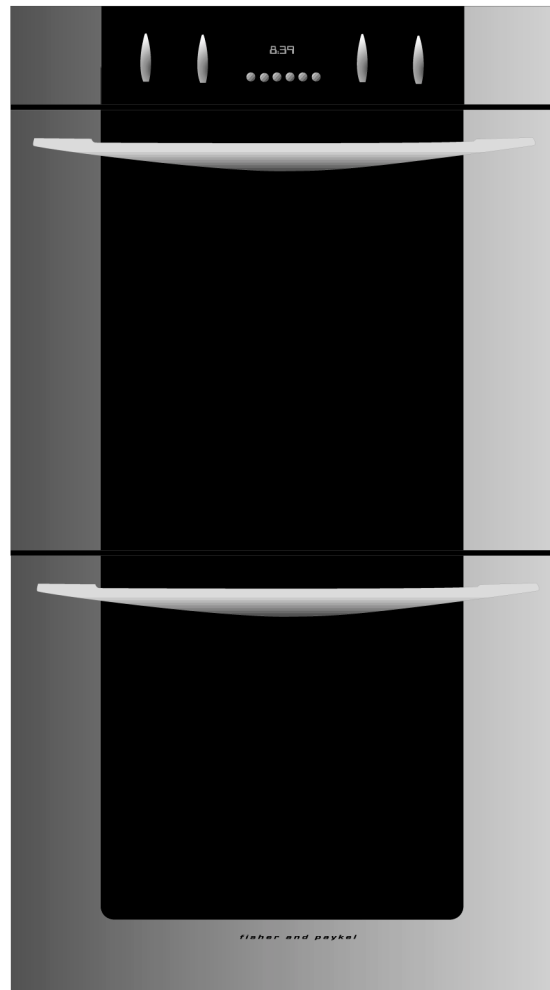


Built In Walloven Double & Combination Series

Models

BI600ED BI600ED+
BI600QASE2
BI600QASE1.5
BI600XC



599072

PRODUCTS

Brand Fisher & Paykel, Shacklock

Voltage 220-240V 50Hz

Model **Code**

BI600ED+ 87540 87541 87542 87594

BI600QASE 2 87629 87661

BI600QASE1.5 87628 87660

BI600XC 84565 87589 87651

Fisher & Paykel Appliances Ltd
Appliance Spare Parts
PO Box 14-148, Panmure.
80 Springs Rd, East Tamaki
New Zealand
Tel: (09) 272 0261
Fax: (09) 272 0219
Email: parts@fp.co.nz

CONTENTS

BUILT IN DOUBLE CONTROL PANELS.....	6
BUILT IN DOUBLE CONTROLS.....	8
BUILT IN DOUBLE ELEMENT & ACCESSORIES	10
BUILT IN DOUBLE CHASSIS ASSEMBLY	16
BUILT IN DOUBLE MAIN DOOR ASSY.....	22
BUILT IN DOUBLE LOWER DOOR ASSEMBLY	24
PANEL & TRIM COMPONENTS XC MODEL.....	26
MICROWAVE PANASONIC NN-T687SA	28
DOOR ASSEMBLY - NN-T687SA	32
NOTES	35

GUIDE TO USING THIS MANUAL

The model(s) and/or series covered by this manual are listed on the front cover.

The information detailed in this manual is subject to change without notice, the latest version is indicated by the reprint date and replaces any earlier editions.

The front cover picture shows the type of product and may not necessarily be an exact image of the models covered by the manual.

Part References

Where a Model is shown, the part is exclusive to the Model(s) stated. Common parts relating to a part reference are applicable to all other Model(s) which use the particular item.

Kit Parts

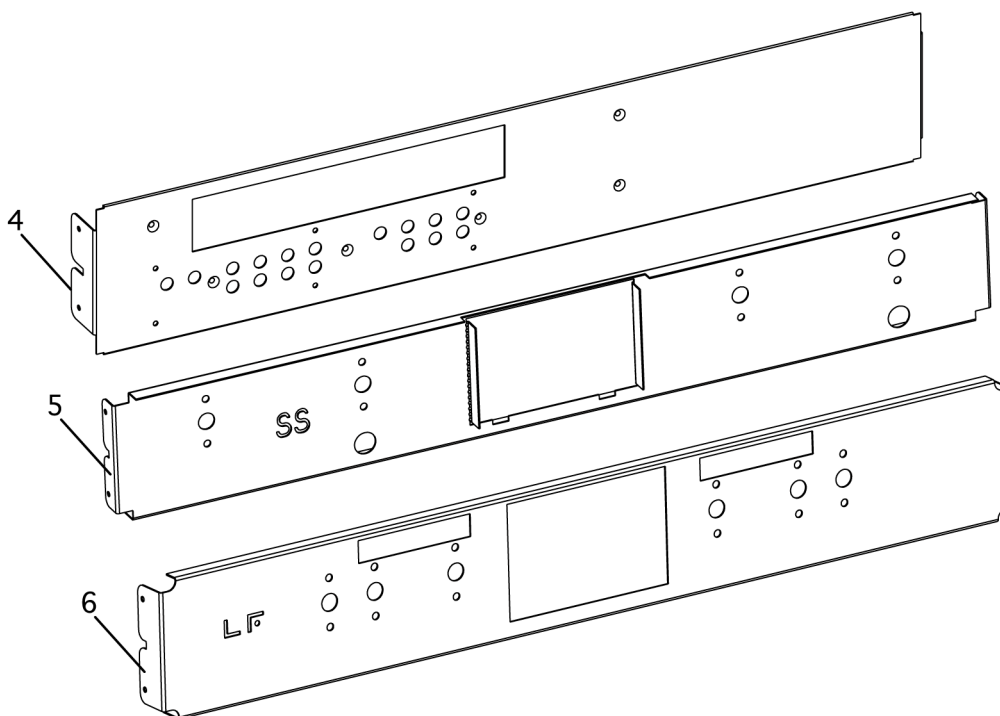
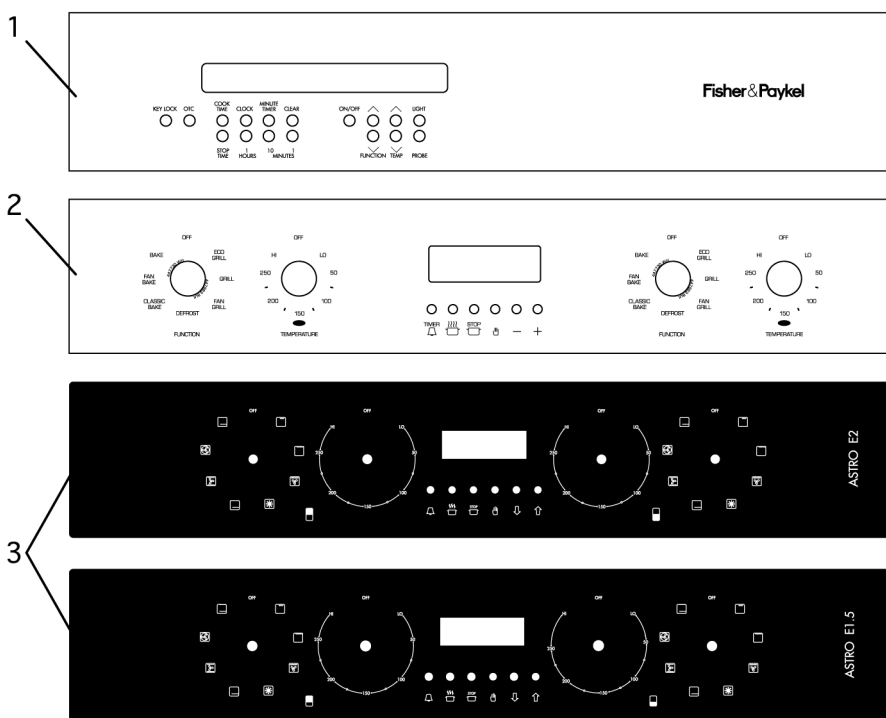
The components shown in *italics* are those parts in the kit which are available also as separate items. In addition, some parts may be supplied with this kit which are not available as separate items and are therefore not listed in this manual.

All details relating to Technical Bulletins or Notes are shown on a dedicated page. The Technical Bulletin Number shown relates to the bulletin version which is produced for New Zealand Service Centres.

Parts List Key

NOT USED	As a part, indicates the diagram part reference is not used in this manual.
#	Beside the part number, indicates the part is no longer available.
<i>italics</i>	Kit components shown in <i>italics</i> are also available separately.
*	Indicates a technical bulletin or note exists for the part or part reference.
NI	As a part reference, indicates the part is not illustrated on the diagram.

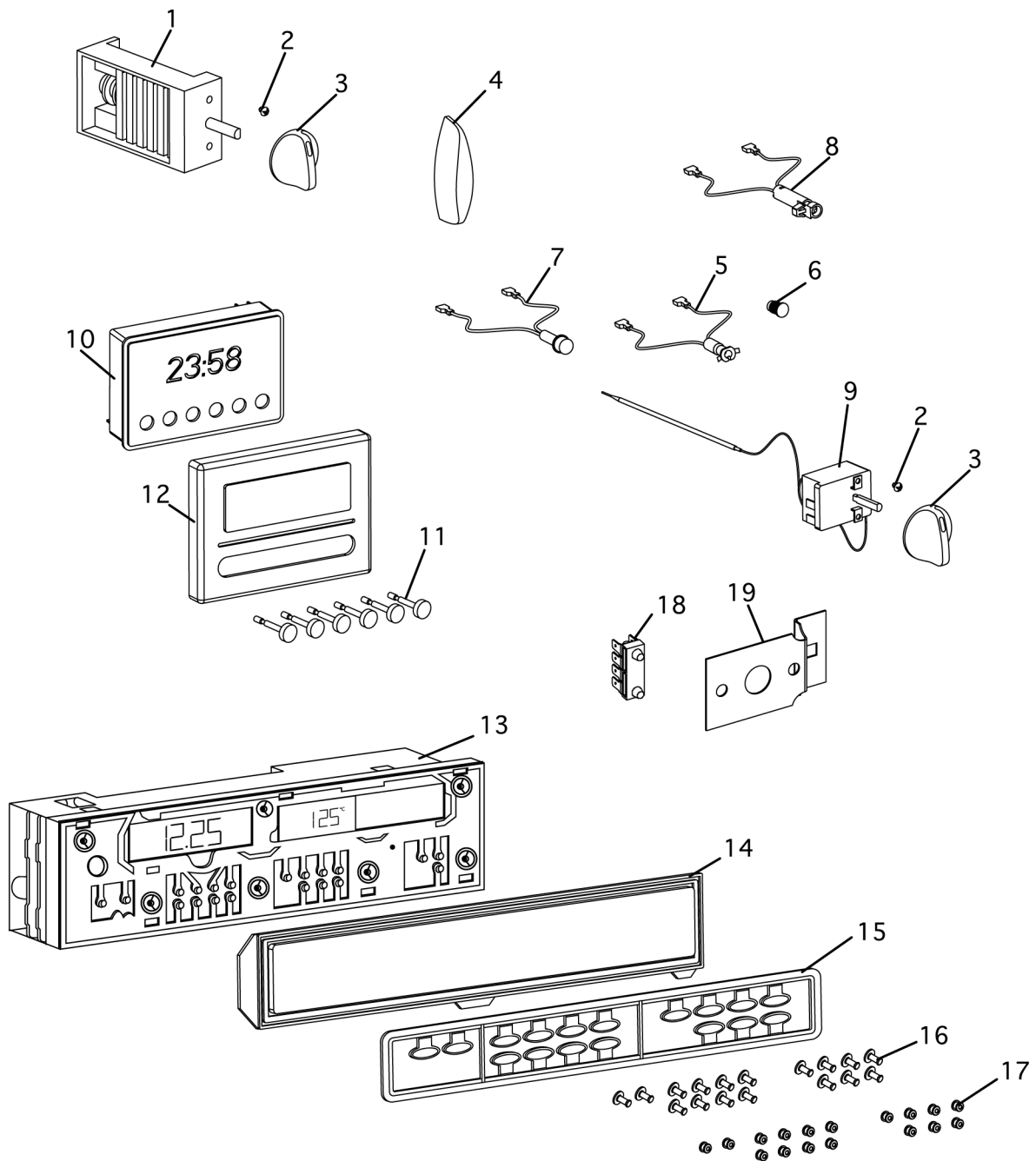
BUILT IN DOUBLE CONTROL PANELS



BUILT IN DOUBLE CONTROL PANELS

REF	PART	DESCRIPTION	MODEL
1	447608	PANEL CONTROL ASSY WO600XSS SH	BI600XC
	447609	PANEL CONTROL ASSY WO600XSS FP	BI600XC
2	540188	PANEL CONTROL GLASS BI600ED WH	BI600ED
	540221	PANEL CONTROL ASSY SS BI600ED	BI600ED
	540277	PANEL CONTROL ASSY BK BI600ED	BI600ED
3	540436	CONTROL CAP ASSY ASTRO E2	BI600QASE 2
	540435	CONTROL CAP ASSY ASTRO E1.5	BI600QASE1.5
4	447504	PANEL CONTROL MOUNTING BI600X	BI600XC
5	540111	PANEL CONTROL MOUNTING 600D SS	BI600ED
6	540387	PANEL CONTROL MOUNTING	BI600QASE 2
	540387	PANEL CONTROL MOUNTING	BI600QASE1.5

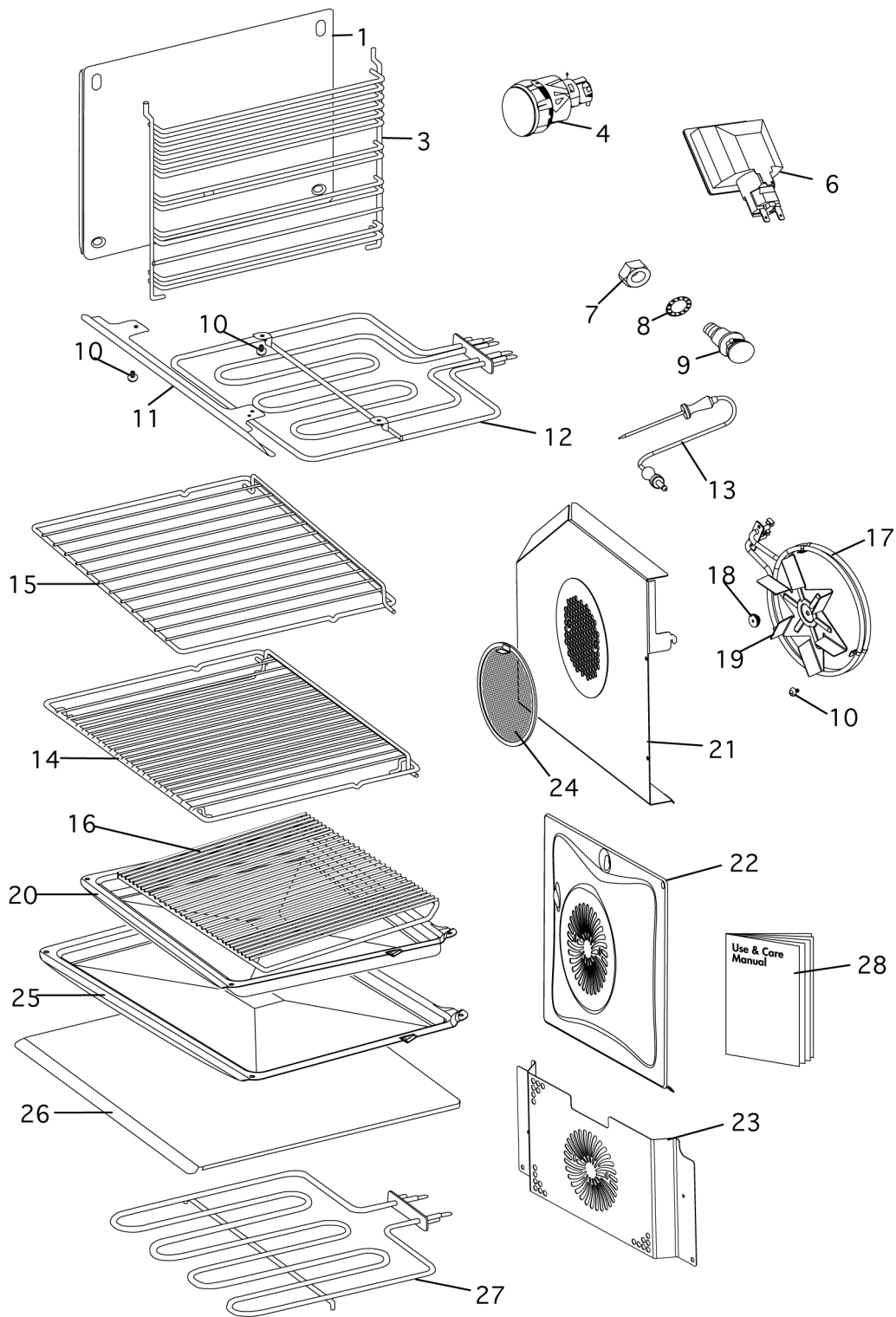
BUILT IN DOUBLE CONTROLS



BUILT IN DOUBLE CONTROLS

REF	PART	DESCRIPTION	MODEL
1	447785	SWITCH FUNCT EGO 42.09000.006	BI600ED
	447785	SWITCH FUNCT EGO 42.09000.006	BI600QASE 2
	447785	SWITCH FUNCT EGO 42.09000.006	BI600QASE1.5
2	556020	SCREW MC M4X5 PAN PH MS NP	
3	540056	KNOB ASSY WEDGE SS	BI600ED
	572427	KNOB ASSY WH/SC D 90	BI600ED
		<i>260160 COMPRESSION RING SPIRE SCB1730</i>	
	572429	KNOB ASSY BK/SC D 90	BI600ED
		<i>260160 COMPRESSION RING SPIRE SCB1730</i>	
4	540301	KNOB AERON/ASTRO	BI600QASE 2
	540301	KNOB AERON/ASTRO	BI600QASE1.5
5	447651	NEON 240MM TYPE 60XXXH230	BI600ED
6	447652	BEZEL NEON ROUND RED TYPE 601R	BI600ED
	540317	BEZEL NEON AERON	BI600ED
7	572919	NEON 190MM (ACTIVE)	BI600ED
8	540431	NEON BLUE ASTRO	BI600QASE 2
	540431	NEON BLUE ASTRO	BI600QASE1.5
9	571071	THERMOSTAT EGO 55.18064.040	
10	572642	CLOCK ELECT ORBIASIC6 13156003	BI600ED
	572642	CLOCK ELECT ORBIASIC6 13156003	BI600QASE 2
	572642	CLOCK ELECT ORBIASIC6 13156003	BI600QASE1.5
11	447649	BUTTON DIEHL 13126.438 BLACK	BI600ED
	573124	BUTTON DEIHL 13126-925 WHITE	BI600ED
	540395	SPACER DOOR ASTRO	BI600QASE 2
	540394	BUTTON CLOCK ASTRO	BI600QASE1.5
12	447438	LENSE ADAPTOR DIEHL CLOCK	BI600ED
13	447824P	CONSOLE FAN FORCED SERVICE	BI600XC
14	572341	LENSE INSERT CONSOLE ONE OVEN	BI600XC
15	447560	BUTTON MOULDING SS BI600	BI600XC
16	540385	BUTTON CONTROL ASTRO X	
17	540386	GASKET BUTTON CONTROL ASTRO X	
18	572699	TERMINAL BLOCK SNT-8	
19	540464	BRACKET NEON MOUNTING	

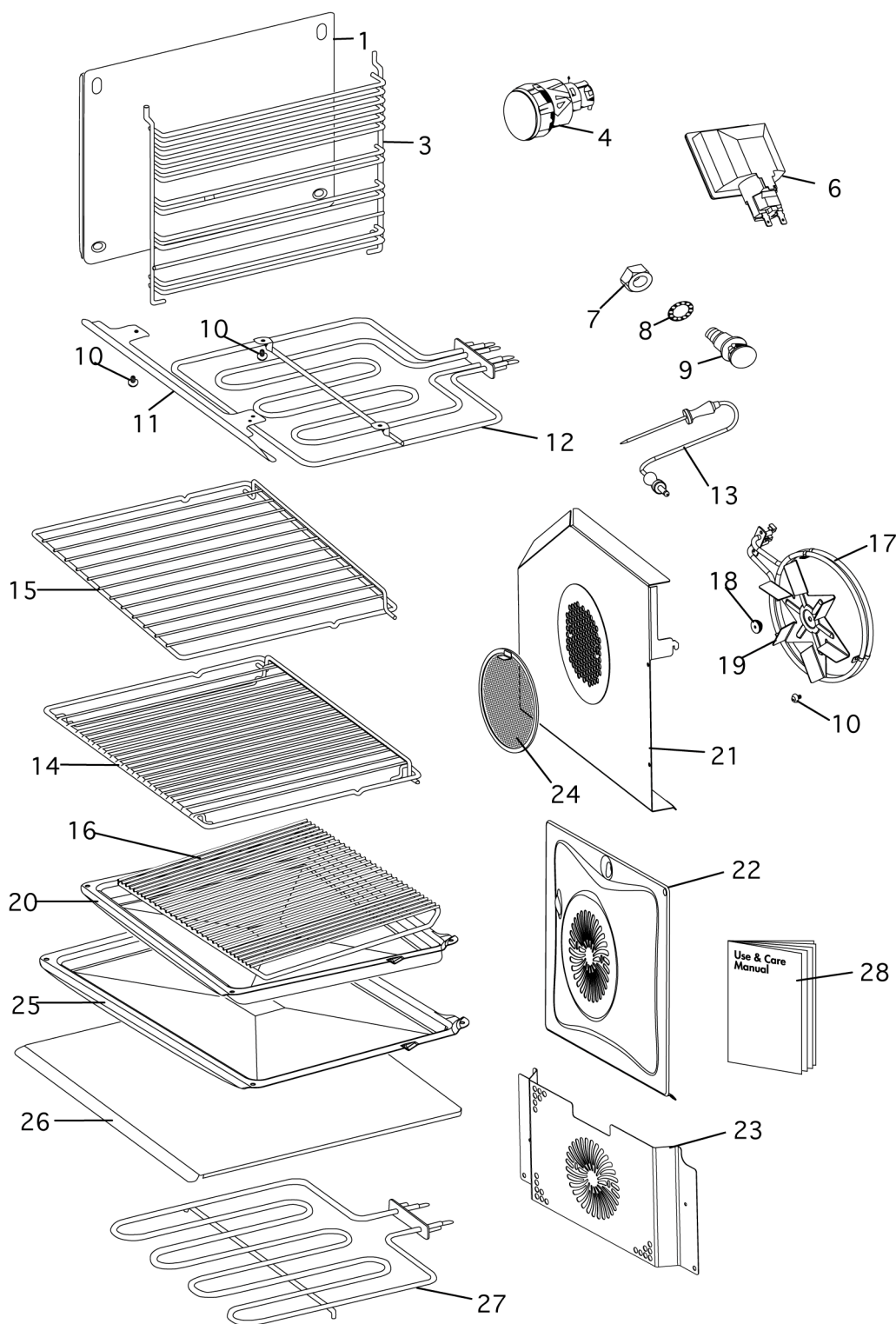
BUILT IN DOUBLE ELEMENT & ACCESSORIES



BUILT IN DOUBLE ELEMENT & ACCESSORIES

REF	PART	DESCRIPTION	MODEL
1	447746	PANEL SIDE ENAM CAT BK	BI600ED
	540094	PANEL SIDE LWROVEN ENAM CAT BK	BI600ED
	447746	PANEL SIDE ENAM CAT BK	BI600QASE 2
	447746	PANEL SIDE ENAM CAT BK	BI600QASE1.5
	540094	PANEL SIDE LWROVEN ENAM CAT BK	BI600QASE1.5
2	NOT USED		
3	447701	RUNNERS WIRE ASSY PLATED	BI600ED
	540173	RUNNERS WIRE ASSY LWR PLATED	BI600ED
	447334	RUNNERS WIRE ASSY PL SATIN CR	BI600QASE 2
	447334	RUNNERS WIRE ASSY PL SATIN CR	BI600QASE1.5
	540493	RUNNERS WIRE ASSY LWR SATIN CR	BI600QASE1.5
	447701	RUNNERS WIRE ASSY PLATED	BI600XC
4	571909	LAMP ASSY OVEN 708102-51-40-240	BI600ED
		<i>404000 LAMP OVEN SES LUSTRE 230V 40W</i>	
		<i>761001 COVER GLASS</i>	
	571909	LAMP ASSY OVEN 708102-51-40-240	BI600XC
		<i>404000 LAMP OVEN SES LUSTRE 230V 40W</i>	
		<i>761001 COVER GLASS</i>	
5	NOT USED		
6	573112	LAMP ASSY SIDE BJB 77.705	BI600ED
	573235	LAMP FLOODLIGHT 230V 25W SES	BI600ED
	573236	COVER GLASS FLOODLIGHT	BI600ED
	573112	LAMP ASSY SIDE BJB 77.705	BI600QASE 2
	573235	LAMP FLOODLIGHT 230V 25W SES	BI600QASE 2
	573236	COVER GLASS FLOODLIGHT	BI600QASE 2
	573112	LAMP ASSY SIDE BJB 77.705	BI600QASE1.5
	573235	LAMP FLOODLIGHT 230V 25W SES	BI600QASE1.5
	573236	COVER GLASS FLOODLIGHT	BI600QASE1.5
	573112	LAMP ASSY SIDE BJB 77.705	BI600XC
	573235	LAMP FLOODLIGHT 230V 25W SES	BI600XC
	573236	COVER GLASS FLOODLIGHT	BI600XC
7	556107	NUT M6 HEX 10AF FS MS ZNPL	
8	556510	WASHER LOCK 6MM INT SERR ST BU	
9	447716	STUD MOUNTING	
10	556095	SCREW ST 8X3/8 TAB MSH TX20 NP	
11	540005	GUARD TOP ELEMENT ENAM BU MOT	BI600ED
	447330	GUARD TOP ELEMENT PL SATIN CR	BI600QASE 2

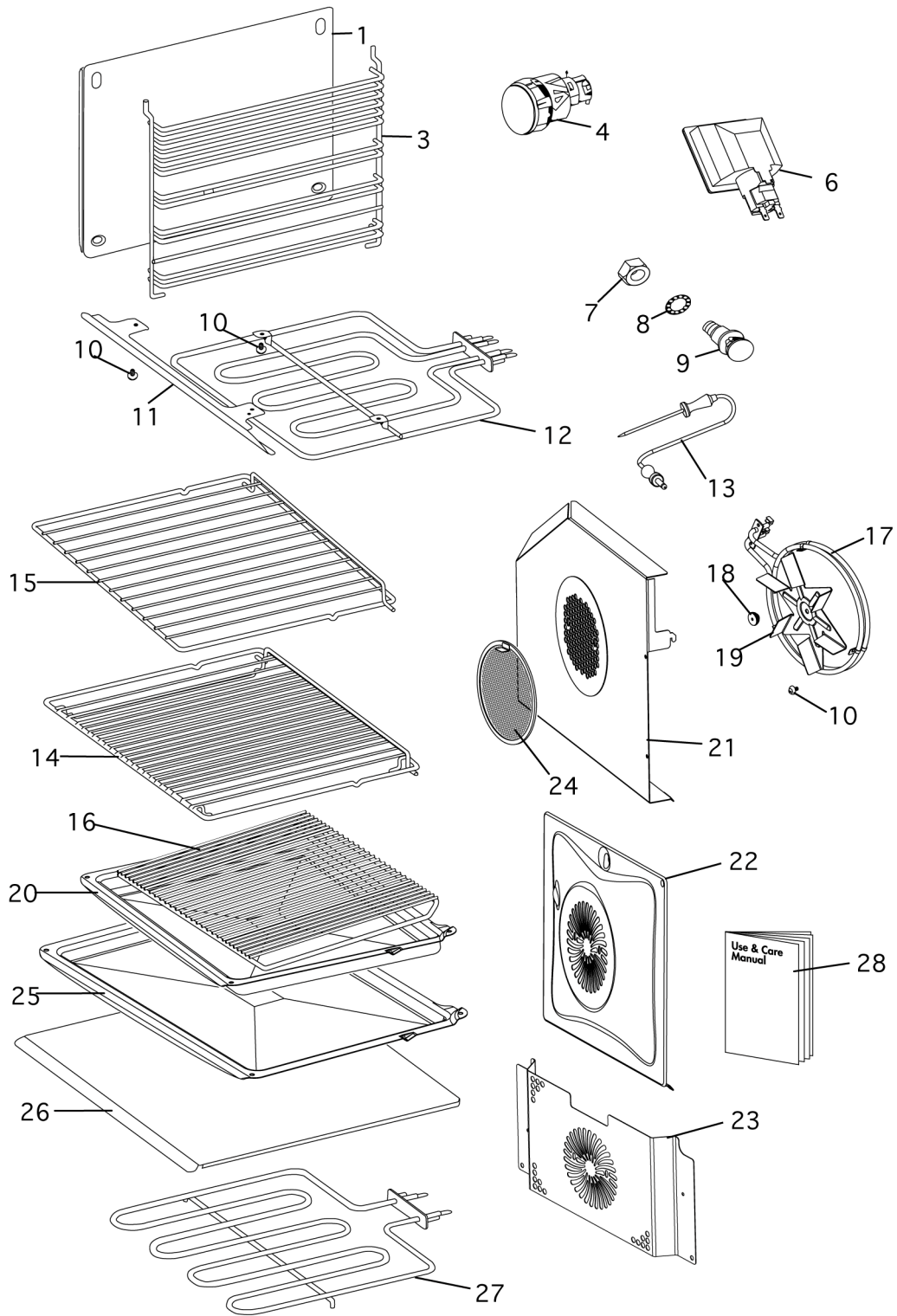
BUILT IN DOUBLE ELEMENT & ACCESSORIES



BUILT IN DOUBLE ELEMENT & ACCESSORIES

REF	PART	DESCRIPTION	MODEL
11	540702	GUARD TOP ELEMENT ENAM FLINT	BI600QASE 2
	447330	GUARD TOP ELEMENT PL SATIN CR	BI600QASE1.5
	540702	GUARD TOP ELEMENT ENAM FLINT	BI600QASE1.5
	540005	GUARD TOP ELEMENT ENAM BU MOT	BI600XC
12	540510	ELEMENT ASSY TOP	
13	571644	PROBE MEAT DIEHL 713904023	BI600XC
14	447735	RACK GRILL PLATED	BI600ED
	447337	RACK GRILL PLATED SATIN CR	BI600QASE 2
	447337	RACK GRILL PLATED SATIN CR	BI600QASE1.5
	447735	RACK GRILL PLATED	BI600XC
15	447364	RACK BAKE 600 PLATED	BI600ED
	447366	RACK BAKE 600 PLATED SATIN CR	BI600QASE 2
	447366	RACK BAKE 600 PLATED SATIN CR	BI600QASE1.5
	447364	RACK BAKE 600 PLATED	BI600XC
16	540547	RACK GRILL INSERT PLATED	BI600ED
	540642	RACK GRILL INSERT SATIN PLATED	BI600QASE 2
	540642	RACK GRILL INSERT SATIN PLATED	BI600QASE1.5
	540547	RACK GRILL INSERT PLATED	BI600XC
17	447752	ELEMENT ASSY FAN 20.29477.020	
18	573067	FAN LOCK NUT EBM	
19	572973	FAN BLADE (FASCO MOTOR)	
20	540003	TRAY BAKING 600 ENAM BU MOT	BI600ED
	540452	TRAY BAKING 600 ENAM FLINT	BI600QASE 2
	540452	TRAY BAKING 600 ENAM FLINT	BI600QASE1.5
	540003	TRAY BAKING 600 ENAM BU MOT	BI600XC
21	447756	SHROUD FAN ELEMENT ENAM CAT BK	BI600ED
	447756	SHROUD FAN ELEMENT ENAM CAT BK	BI600XC
22	573161	SHROUD FAN ELEMENT ENAM CAT BK	BI600ED
	573161	SHROUD FAN ELEMENT ENAM CAT BK	BI600QASE 2
	573161	SHROUD FAN ELEMENT ENAM CAT BK	BI600QASE1.5
	573161	SHROUD FAN ELEMENT ENAM CAT BK	BI600XC
23	540113	SHROUD FAN ELEMENT ENAM CAT BK	BI600ED
	540419	SHROUD FAN BI45 AERO EN CAT BK	BI600ED
	540113	SHROUD FAN ELEMENT ENAM CAT BK	BI600QASE1.5
	540419	SHROUD FAN BI45 AERO EN CAT BK	BI600QASE1.5
24	447828	FILTER FAT	
25	540004	TRAY ROASTING 600 ENAM BU MOT	BI600ED+

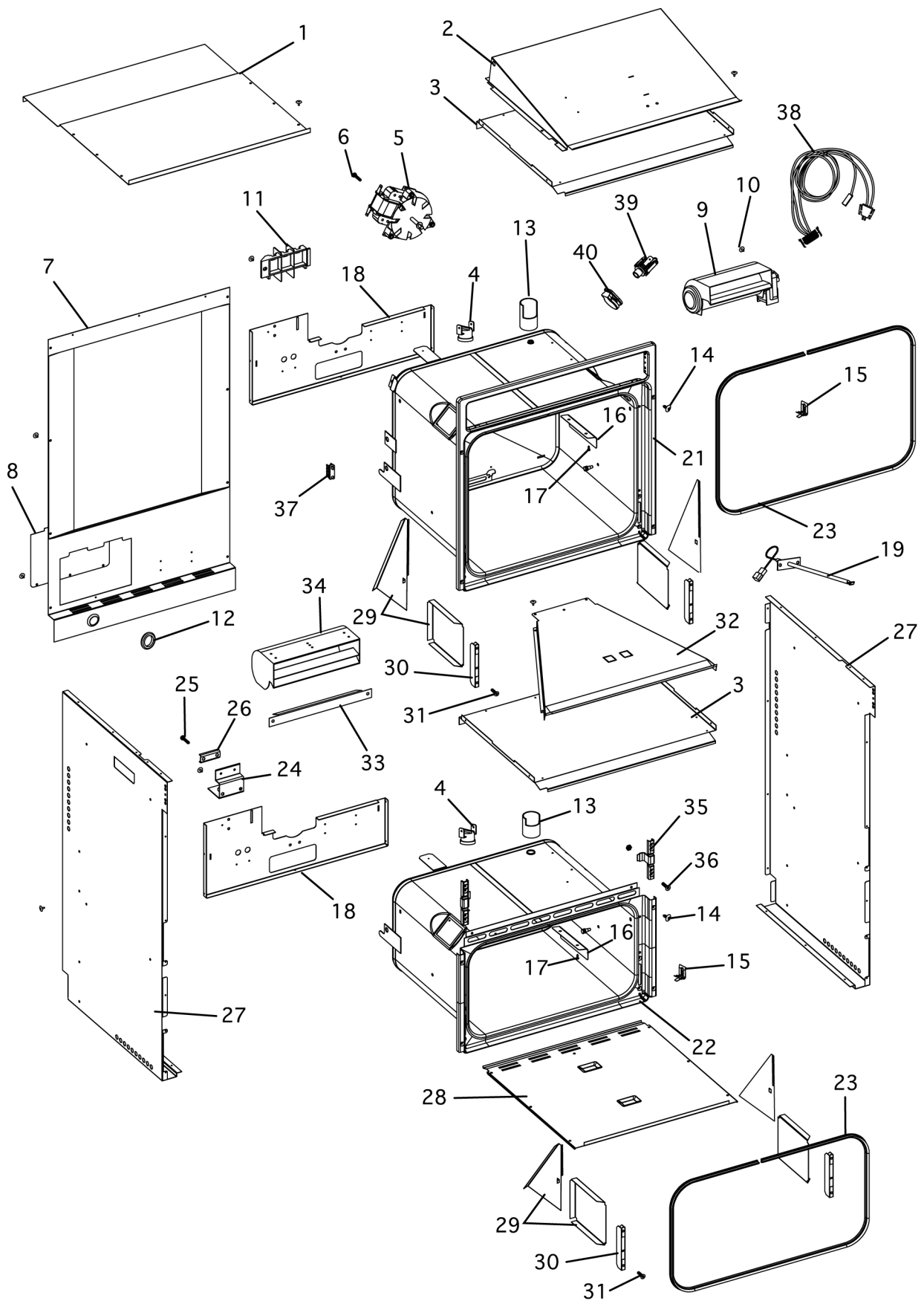
BUILT IN DOUBLE ELEMENT & ACCESSORIES



BUILT IN DOUBLE ELEMENT & ACCESSORIES

REF	PART	DESCRIPTION	MODEL
25	540453	TRAY ROASTING 600 ENAM FLINT	BI600QASE 2
	540453	TRAY ROASTING 600 ENAM FLINT	BI600QASE1.5
	540004	TRAY ROASTING 600 ENAM BU MOT	BI600XC
26	540451	COVER LWR ELEMENT ENAM FLINT	BI600ED
	540451	COVER LWR ELEMENT ENAM FLINT	BI600QASE 2
	540451	COVER LWR ELEMENT ENAM FLINT	BI600QASE1.5
	540007	COVER LWR ELEMENT ENAM BU MOT	BI600XC
27	447751	ELEMENT ASSY LOWER	
28	540197	BOOK USE & CARE BI600 FAN OVEN	BI600ED+
	540454	BOOK USER GUIDE ASTRO E	BI600QASE 2
	540454	BOOK USER GUIDE ASTRO E	BI600QASE1.5
	540197	BOOK USE & CARE BI600 FAN OVEN	BI600XC
NI	89017	ACPROD PIZZA STONE	
		<i>447813 PIZZA PADDLE</i>	
		<i>447820 CARD INSTRUCTION PIZZA STONE</i>	
NI	571972	CARD WARRANTY (NEW ZEALAND)	
NI	473664	CARD WARRANTY F&P AU	
NI	599056	CARD INSTAL INSTR BI600/450	
NI	872959	SMART CARE LEAFLET&ENVELOPE AU	
NI	479151	LEAFLET SMART CARE NZ	

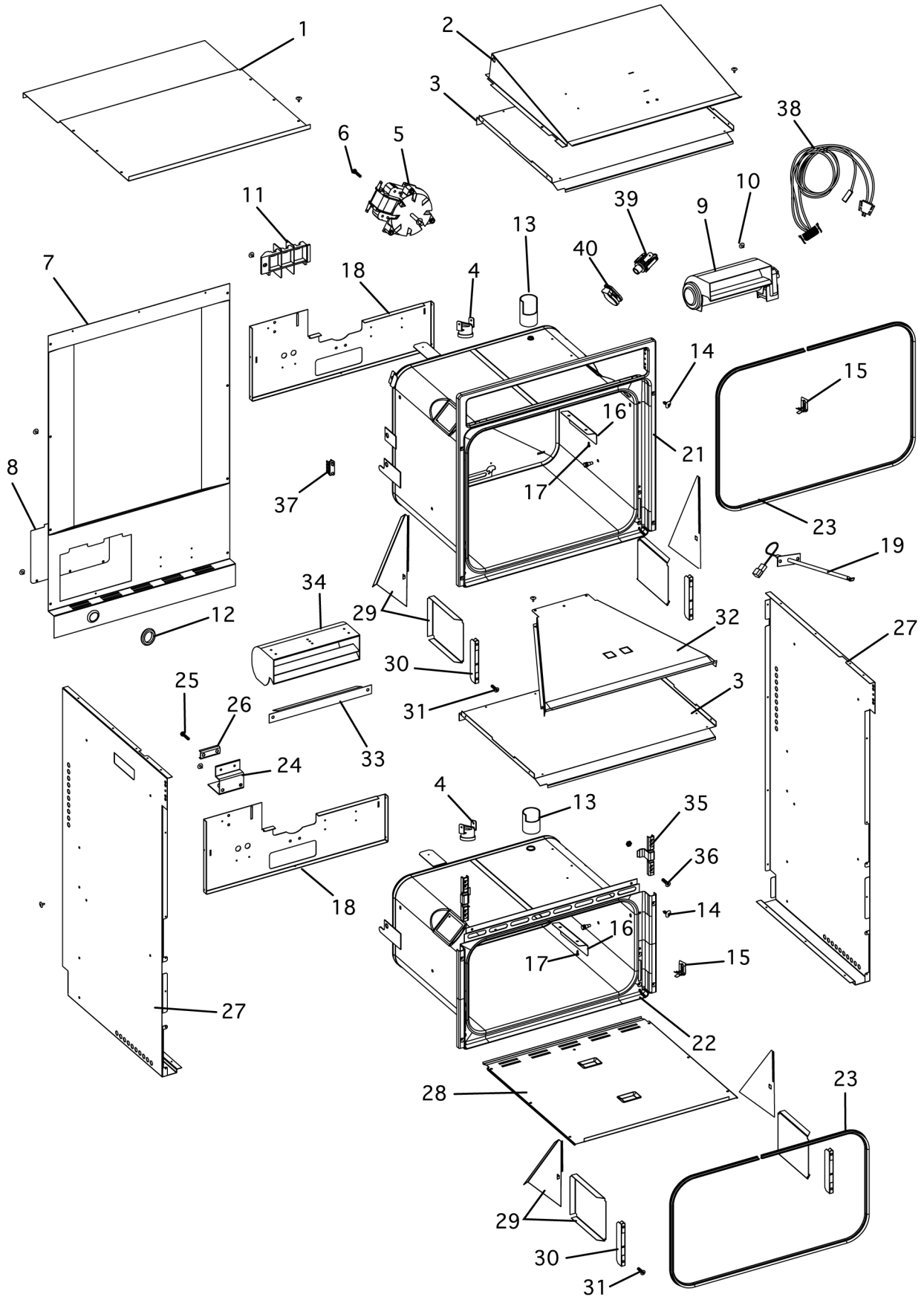
BUILT IN DOUBLE CHASSIS ASSEMBLY



BUILT IN DOUBLE CHASSIS ASSEMBLY

REF	PART	DESCRIPTION	MODEL
1	447507	COVER WIRING TOP	
2	447505	PANEL MOUNTING FAN DUCT	
	540649	PANEL MOUNTING FAN DUCT	
3	447506	PANEL INSULATION FAN DUCT	
4	540039	LIMITER 140C CAMPINI TY60 NC	
	540128	CLIP THERMAL LIMITER CAMPINI	
	573220	LIMITER 155C CAMPINI TY60 NC	
5	572923	FAN KITSET J06OV10A 3/4 STACK	
6	556037#	SCREW ST 8X5/8 TAB PAN PH HS NIPL	
7	540074	COVER WIRING BACK SM DBL	BI600ED
	540233	COVER WIRING REAR 100/100	BI600QASE 2
	540713	COVER WIRING BACK 2DBL	BI600QASE 2
	540074	COVER WIRING BACK SM DBL	BI600QASE1.5
	540712	COVER WIRING BACK 1.5DBL	BI600QASE1.5
	540209	COVER WIRING BACK	BI600XC
	540688	COVER WIRING BACK BI600XC	BI600XC
8	571878	COVER INSPECTION	
9	573028	FAN CONSORT HR180006-A200	
10	556047	SCREW ST 4X3/8 TAB PAN PH NP	
11	572640	TERMINAL BLOCK MAINS	
12	447612	GROMMET MAINS CABLE (IM6160)	
13	447520	VENT TUBE WO600	
	540120	VENT TUBE LOWER OVEN	
14	556078	SCREW ST 8X12MM TAB MTS PH BK	
15	471651	CLIP THERMST TUBE 3MM FT47220	
16	540011	GUARD THERMOSTAT ENAM BU MOT	BI600ED
	540430	GUARD THERMOSTAT ENAM FLINT	BI600QASE 2
	540430	GUARD THERMOSTAT ENAM FLINT	BI600QASE1.5
	540011	GUARD THERMOSTAT ENAM BU MOT	BI600XC
17	556082	SCREW ST M4X12 XTITE HXWPH NWX	
18	447512	BRACKET SUPPORT OVEN	
	540650	BRACKET SUPPORT OVEN	
19	571630	PROBE TEMP. SENSOR HY CAL	
20	540095	BRACKET SUPPORT LOWER OVEN	BI600QASE1.5
21	540012	OVEN&FRAME ENAM BI600E BU MOT	BI600ED
	540134	OVEN&FRAME ENAM BI600E BU MOT	BI600ED
	540730	OVEN&FRAME BI600E ENAM BU MOT	BI600ED

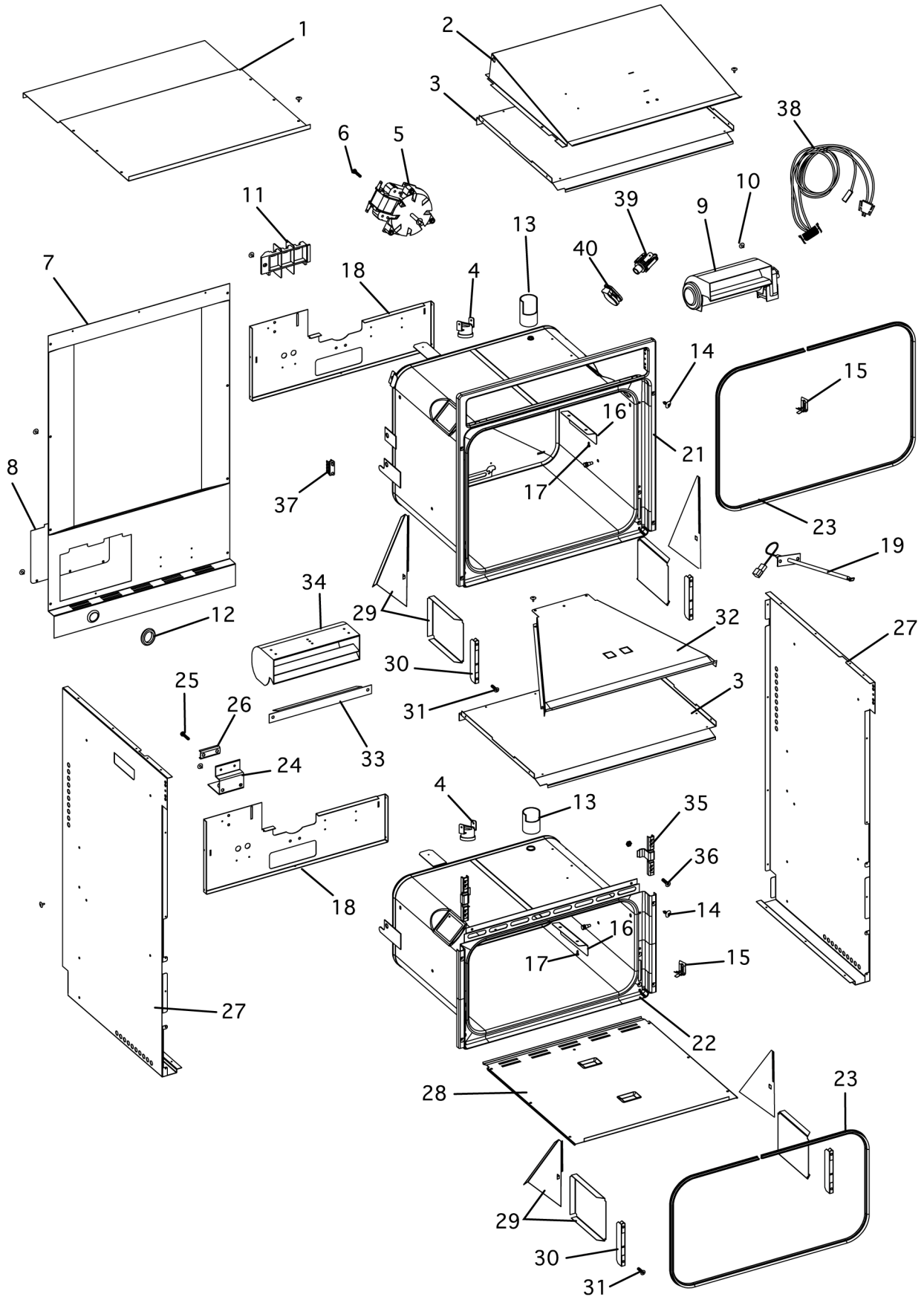
BUILT IN DOUBLE CHASSIS ASSEMBLY



BUILT IN DOUBLE CHASSIS ASSEMBLY

REF	PART	DESCRIPTION	MODEL
21	540428	OVEN&FRAME ENAM BI6QASE FLINT	BI600QASE 2
	540738	OVEN&FRAME BI6QASE ENAM FLINT	BI600QASE 2
	540428	OVEN&FRAME ENAM BI6QASE FLINT	BI600QASE1.5
	540738	OVEN&FRAME BI6QASE ENAM FLINT	BI600QASE1.5
	540009	OVEN&FRAME BI600X ENAM BU MOT	BI600XC
	540136	OVEN&FRAME ENAM BI600X BU MOT	BI600XC
	540734	OVEN&FRAME BI600X ENAM BU MOT	BI600XC
22	540157	OVEN&FRAME ENAM 600D BU MOT	BI600ED
	540749	OVEN&FRAME LWR BI6 ENAM BU MOT	BI600ED
	540472	OVEN & FRAME LOWER FLINT	BI600QASE 2
	540550	OVEN & FRAME LOWER FLINT	BI600QASE 2
	540753	OVEN&FRAME LWR BI62 ENAM FLINT	BI600QASE 2
	540751	OVEN&FRAME QASE1.5 ENAM FLINT	BI600QASE1.5
23	447551	GASKET OVEN WO600 C/L 1775MM	
	540146	GASKET OVEN LOWER 1484MM	BI600QASE1.5
24	75017	PLATE CABLE ENTRY	
25	556084	SCREW TAPTITE M4X25 HEXPH BZWX	
26	74152	CLAMP CABLE ENTRY	
27	540073	PANEL LEFT SIDE	BI600ED
	540117	PANEL RIGHT SIDE	BI600ED
	540655	PANEL SIDE LEFT 600D	BI600ED
	540656	PANEL SIDE RIGHT 600D	BI600ED
	540231	PANEL SIDE LEFT 100/100	BI600QASE 2
	540232	PANEL SIDE RIGHT 100/100	BI600QASE 2
	540658	PANEL SIDE LEFT 100-100	BI600QASE 2
	540659	PANEL SIDE RIGHT 100-100	BI600QASE 2
	540073	PANEL LEFT SIDE	BI600QASE1.5
	540117	PANEL RIGHT SIDE	BI600QASE1.5
	540655	PANEL SIDE LEFT 600D	BI600QASE1.5
	540656	PANEL SIDE RIGHT 600D	BI600QASE1.5
28	540190	PANEL INSULATION BASE BI600	
	540651	PANEL INSULATION BASE BI600	
29	447580	GUARD HINGE	
	540652	DUCT HINGE RIGHT LARGE	BI600ED
	540653	DUCT HINGE LEFT LARGE	BI600ED
	540666	DUCT HINGE RIGHT SMALL	BI600ED
	540667	GUARD HINGE LEFT SMALL (VENTED FRAME)	BI600ED

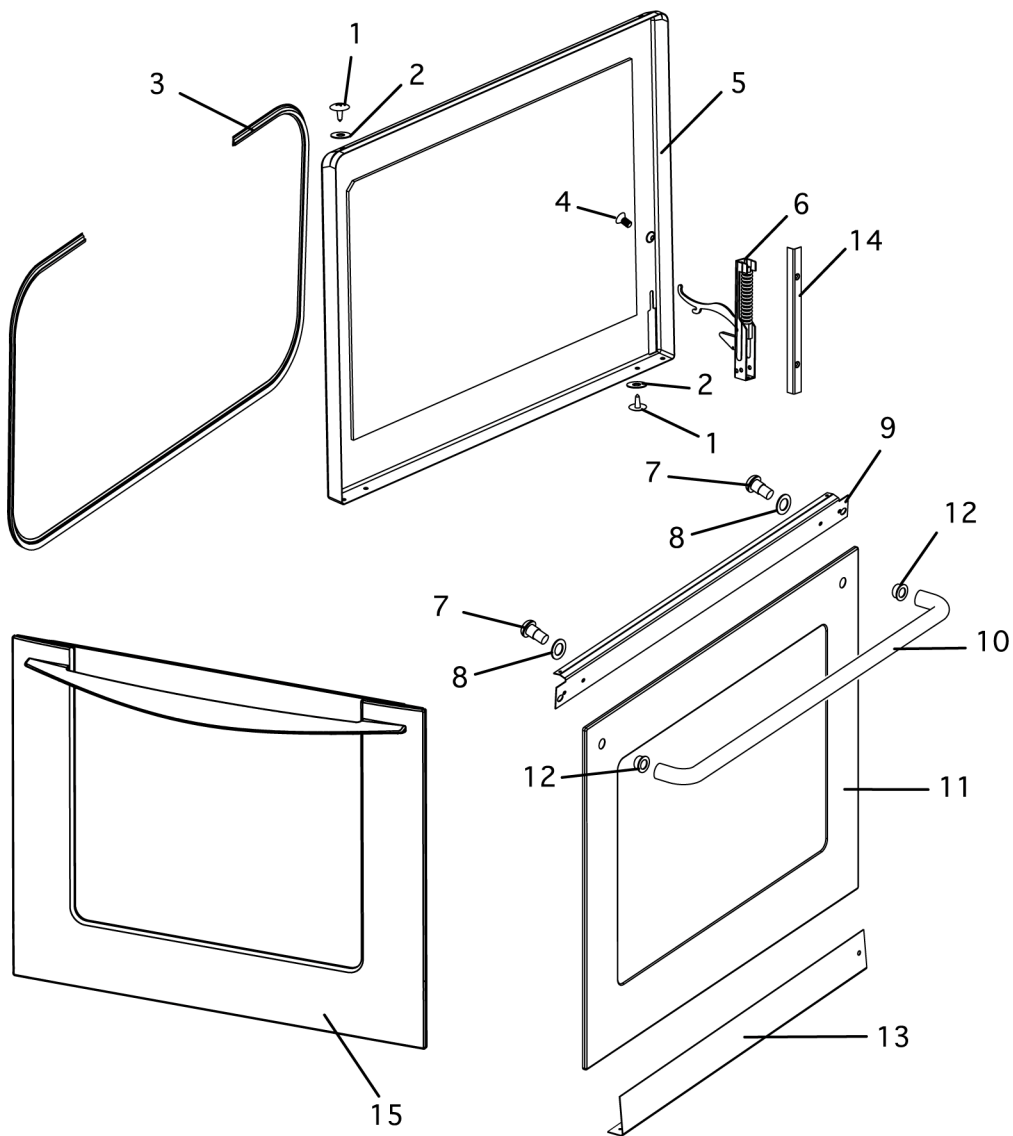
BUILT IN DOUBLE CHASSIS ASSEMBLY



BUILT IN DOUBLE CHASSIS ASSEMBLY

REF	PART	DESCRIPTION	MODEL
29	540652	DUCT HINGE RIGHT LARGE	BI600QASE 2
	540653	DUCT HINGE LEFT LARGE	BI600QASE 2
	540666	DUCT HINGE RIGHT SMALL	BI600QASE 2
	540667	GUARD HINGE LEFT SMALL (VENTED FRAME)	BI600QASE 2
	540652	DUCT HINGE RIGHT LARGE	BI600QASE1.5
	540653	DUCT HINGE LEFT LARGE	BI600QASE1.5
	540666	DUCT HINGE RIGHT SMALL	BI600QASE1.5
	540667	GUARD HINGE LEFT SMALL (VENTED FRAME)	BI600QASE1.5
	540652	DUCT HINGE RIGHT LARGE	BI600XC
	540653	DUCT HINGE LEFT LARGE	BI600XC
30	447657	HINGE COUNTER SUPPORT 6101071	
31	556072	SCREW MC M5X10 CSK PH MS BLACK	
32	540195	DUCT LOWER VENT BI600D	
33	540194	DEFLECTOR AIR BI600ED	
34	540196	FAN EBM QLK45/1800-2518	
35	540178	BRACKET TRANSITION JOIN	
36	NOT USED		
37	572699	TERMINAL BLOCK SNT-8	
38	571672	HARNESS CONTROLLER/PROBE TM620	BI600XC
39	572971	JACK PROBE LEFEVA J119 F MIC	BI600XC
40	572972	COVER JACK PROBE LEFEVA C0-3	BI600XC

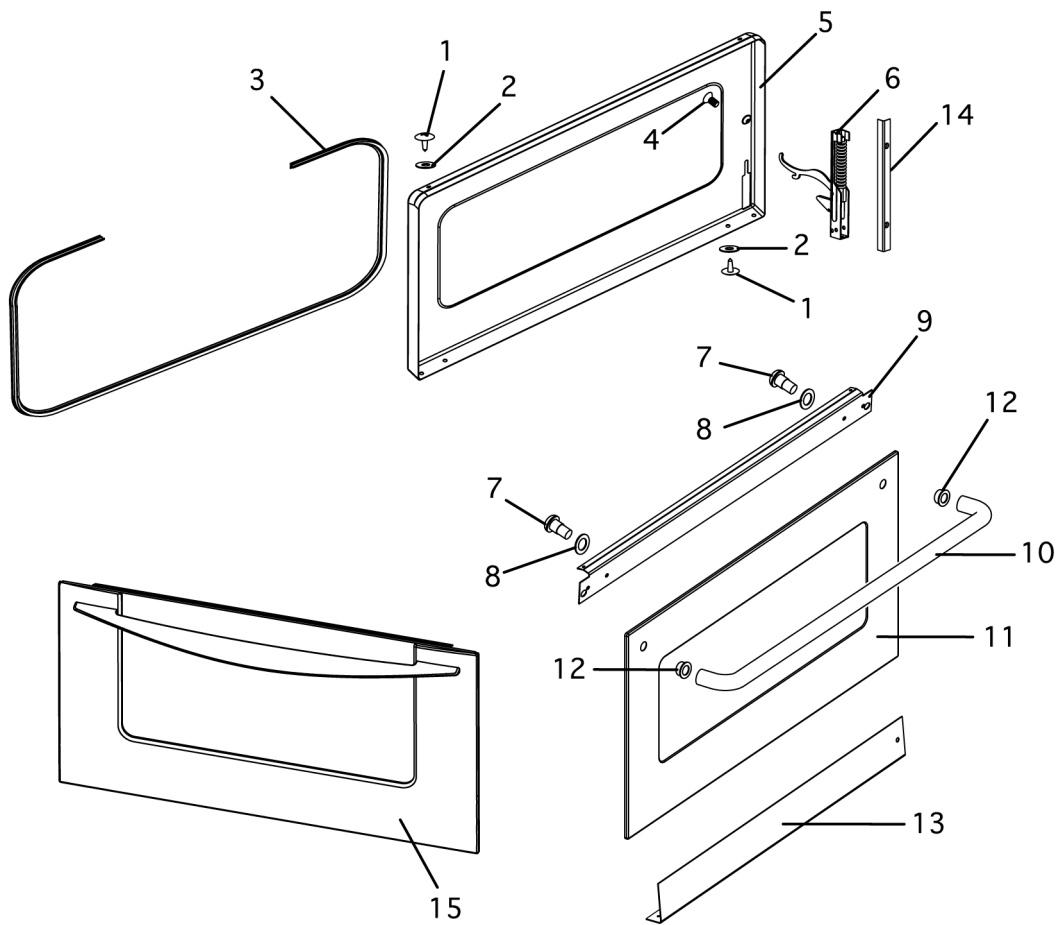
BUILT IN DOUBLE MAIN DOOR ASSY



BUILT IN DOUBLE MAIN DOOR ASSY

REF	PART	DESCRIPTION	MODEL
1	556074	SCREW ST 8X8MM TAB MTSPH BLACK	
2	556504	WASHER 4.0 10.0 0.8 FIBRE BK	
3	447535	GASKET DOOR WO600 C/L 1450MM	
4	556072	SCREW MC M5X10 CSK PH MS BLACK	
5	540023	DOOR INNER ASSY BI600 BU MOT	BI600ED
	540440	DOOR INNER ASSY BI600 FLINT	BI600QASE 2
	540440	DOOR INNER ASSY BI600 FLINT	BI600QASE1.5
	540023	DOOR INNER ASSY BI600 BU MOT	BI600XC
6	447656	HINGE 6213210	
7	572710	SCREW LIMIT HANDLE DOOR 5.5MM	BI600ED
	572710	SCREW LIMIT HANDLE DOOR 5.5MM	BI600XC
8	556522	WASHER 9.5 16 0.8 FIBRE	BI600ED
	556522	WASHER 9.5 16 0.8 FIBRE	BI600XC
9	447514	BRACKET INNER DOOR TOP	BI600ED
	447514	BRACKET INNER DOOR TOP	BI600XC
10	540192	HANDLE D SS FP	BI600ED
	572384	HANDLE D F&P MULTI WH	BI600ED
	572386	HANDLE D F&P MULTIFUNCTION BLACK	BI600ED
	447591	HANDLE D SS	BI600XC
11	447571	GLASS DOOR OUTER D BK WO600	BI600ED
	447594	DOOR OUTER ASSY WO600X SS	BI600ED
	447733	GLASS DOOR 2ND SURF WH	BI600ED
	447594	DOOR OUTER ASSY WO600X SS	BI600XC
12	572042	GROMMET D & SQUARE HANDLE WH	
	572044	GROMMET D & SQUARE HANDLE BK	
13	447516	BRACKET INNER DOOR BOTTOM	
14	* 447641	BRACKET STIFFENER DOOR	
15	540437	DOOR OUTER ASSY ASTRO FULL	BI600QASE 2
	540439	DOOR OUTER ASSY ASTRO LONG	BI600QASE 2
	540439	DOOR OUTER ASSY ASTRO LONG	BI600QASE1.5
NI	447449	RIVET MO/OP 1/8 D-1/8 G	

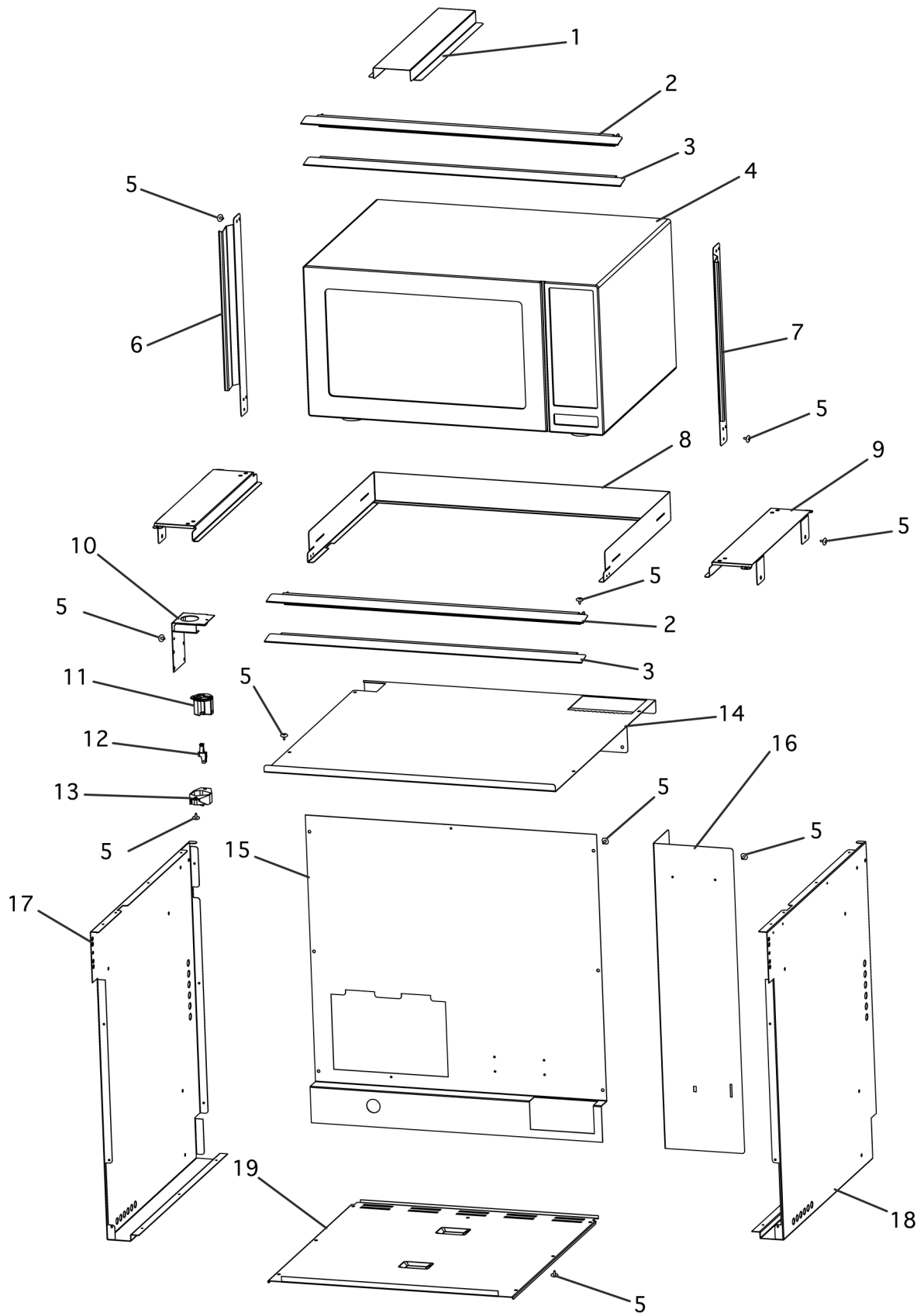
BUILT IN DOUBLE LOWER DOOR ASSEMBLY



BUILT IN DOUBLE LOWER DOOR ASSEMBLY

REF	PART	DESCRIPTION	MODEL
1	556074	SCREW ST 8X8MM TAB MTSPH BLACK	
2	556504	WASHER 4.0 10.0 0.8 FIBRE BK	
3	540154	GASKET DOOR 600D C/L 1159MM	
4	556072	SCREW MC M5X10 CSK PH MS BLACK	
5	540151	DOOR INNER LWR ASSY600D BU MOT	BI600ED
	540441	DOOR INNER ASSY BI450 FLINT	BI600QASE1.5
6	540153	HINGE 6216990	
7	572710	SCREW LIMIT HANDLE DOOR 5.5MM	BI600ED
8	556522	WASHER 9.5 16 0.8 FIBRE	BI600ED
9	447514	BRACKET INNER DOOR TOP	BI600ED
10	447591	HANDLE D SS	BI600ED
	572055	HANDLE D WHITE	BI600ED
	572057	HANDLE D BLACK	BI600ED
11	540083	GLASS DOOR OUTER 600D WH	BI600ED
	540084	GLASS DOOR OUTER 600D BK	BI600ED
	540150	DOOR OUTER LWR ASSY 600D SS	BI600ED
12	572042	GROMMET D & SQUARE HANDLE WH	BI600ED
	572044	GROMMET D & SQUARE HANDLE BK	BI600ED
13	447516	BRACKET INNER DOOR BOTTOM	BI600ED
14	* 447641	BRACKET STIFFENER DOOR	
15	540438	DOOR OUTER ASSY ASTRO HALF	BI600QASE1.5
NI	447449	RIVET MO/OP 1/8 D-1/8 G	

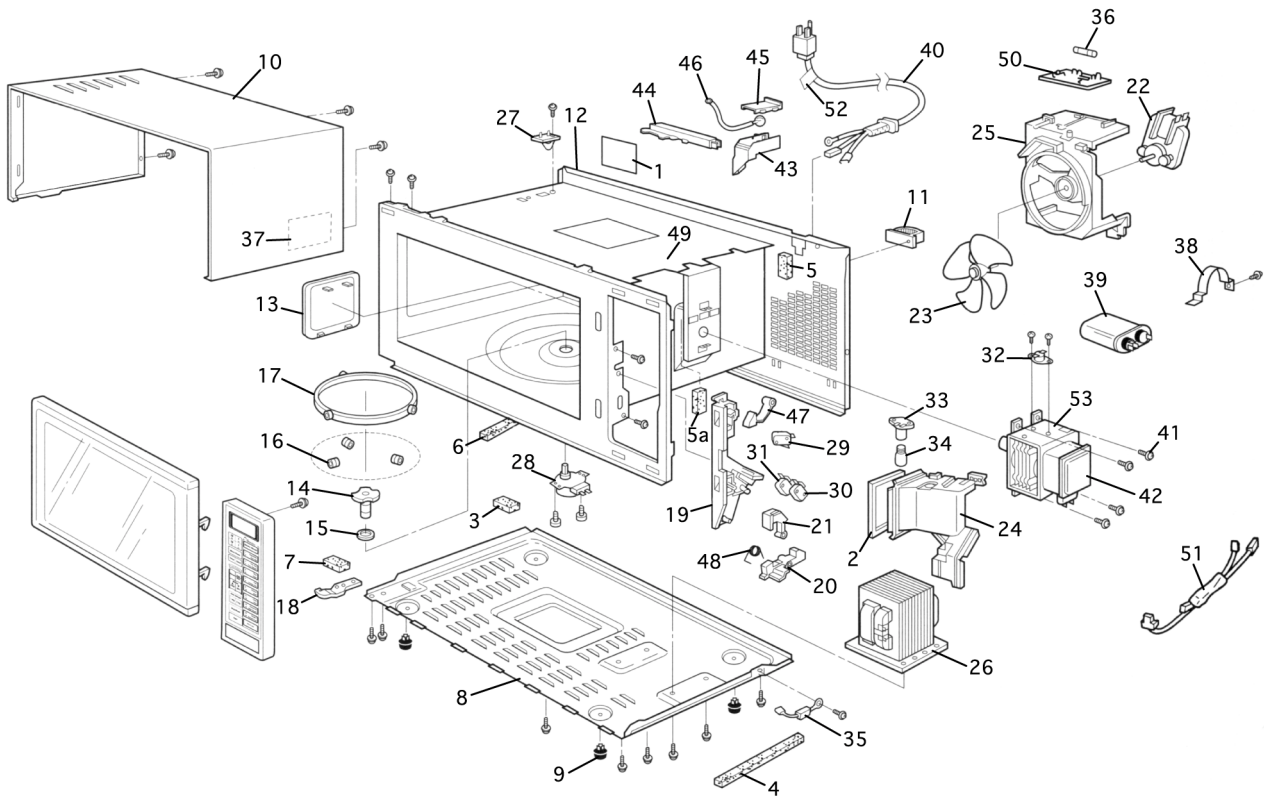
PANEL & TRIM COMPONENTS XC MODEL



PANEL & TRIM COMPONENTS XC MODEL

REF	PART	DESCRIPTION	MODEL
1	540211	DUCT STEAM BI600XC	BI600XC
2	540208	TRIM MICROWAVE UPPER SS	BI600XC
3	540207	TRIM MICROWAVE LOWER SS	BI600XC
4	540212	MICROWAVE OVEN NNT687SA	BI600XC
5	556095	SCREW ST 8X3/8 TAB MSH TX20 NP	
6	540058	TRIM MICROWAVE LEFT SS	BI600XC
7	540059	TRIM MICROWAVE RIGHT SS	BI600XC
8	447431	BRACKET BAFFLE MICROWAVE	BI600XC
9	447430	BRACKET SUPPORT MICROWAVE	BI600XC
10	572851	BRACKET MICROWAVE OUTLET	BI600XC
11	572204	OUTLET SOCKET FACE WHITE	BI600XC
		<i>75220 TERM OUTLET CONTACT H25748</i>	
12	75220	TERM OUTLET CONTACT H25748	BI600XC
13	572205	OUTLET SOCKET RETAINER	BI600XC
14	447439	COVER WIRING TOP	BI600XC
	540687	COVER WIRING TOP BI600XC	BI600XC
15	540209	COVER WIRING BACK	BI600XC
	540688	COVER WIRING BACK BI600XC	BI600XC
16	540210	DUCT AIR	
	540689	DUCT AIR BI600XC	BI600XC
17	540175	PANEL SIDE LH MICROWAVE	BI600XC
	540685	PANEL SIDE LH MICROWAVE	BI600XC
18	540176	PANEL SIDE RH MICROWAVE	BI600XC
	540686	PANEL SIDE RH MICROWAVE	BI600XC
19	540190	PANEL INSULATION BASE BI600	
	540651	PANEL INSULATION BASE BI600	

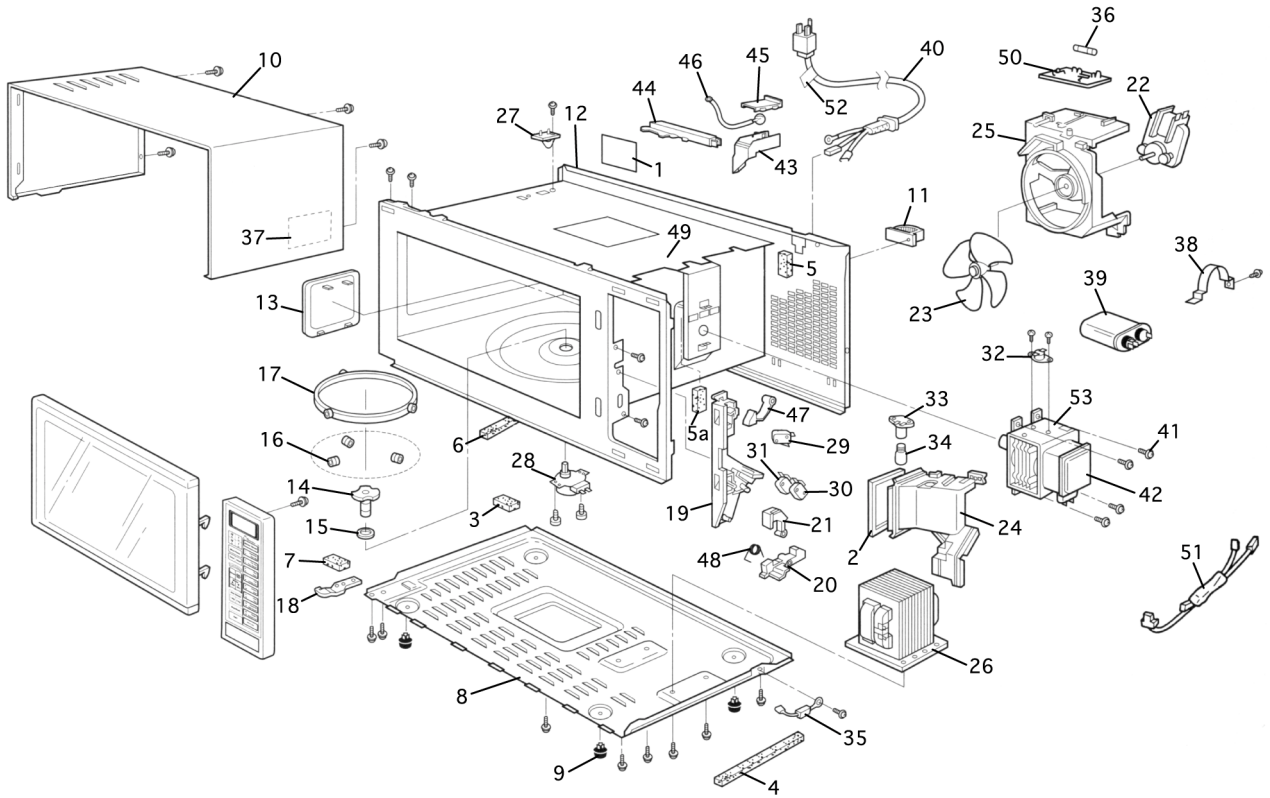
MICROWAVE PANASONIC NN-T687SA



MICROWAVE PANASONIC NN-T687SA

REF	PART	DESCRIPTION	MODEL
1	B00065460JP	LABEL CAUTION	BI600XC
2	AMQ0902000AR	RUBBER CUSHION	BI600XC
3	AMQ0902000BA	RUBBER CUSHION	BI600XC
4	AMQ0902000AH	CUSHION RUBBER A	BI600XC
5	AMQ0908000AE	CUSHION RUBBER A	BI600XC
6	AMQ0928000AT	CUSHION RUBBER A	BI600XC
7	AMQ0904000BB	CUSHION RUBBER A	BI600XC
8	B10018640AP	BASE DP	BI600XC
9	B10088250AP	FOOT DP	BI600XC
10	B110D9580AP	CABINET BODY	BI600XC
11	B11408760AP	STOPPER A	BI600XC
12	B201A9390RP	OVEN 1.2 NN-T687SA	BI600XC
13	A2055-1000	COVER	BI600XC
14	B21315540AP	SHAFT PULLEY	BI600XC
15	B21777050AP	WASHER DP	BI600XC
16	B202K4650AP	ROLLER B	BI600XC
18	A30077050AP	HINGE LOWER DP	BI600XC
19	B30204830AP	HOOK DOOR	BI600XC
20	B31374830AP	SPACER HOOK B	BI600XC
21	B31384830AP	SPACER HOOK C	BI600XC
22	2Z-9AUA.S.	MOTOR FAN	BI600XC
23	B40085951AP	FAN BLADE	BI600XC
24	B40258250AP	GUIDE AIR A	BI600XC
25	B41447630AP	ORIFICE 1.2	BI600XC
26	B621C9250QP	TRANSFORMER HIGH VOLTAGE	BI600XC
27	A601L5180AP	SENSOR TEMP	BI600XC
28	A63264760JP	MOTOR T/TABLE	BI600XC
29	ANE6142-1450	MICROSWITCH	BI600XC
30	A61425180AP	MICROSWITCH	BI600XC
31	A61785180AP	MICROSWITCH	BI600XC
32	B61456240QP	THERMAL CUTOUT	BI600XC
33	B61524740AQ	SOCKET	BI600XC
34	B60304080BP	LAMP INCANDESCENT	BI600XC
35	A62024000AP	DIODE SI	BI600XC
36	B63317550GP	FUSE	BI600XC
37	B60704760JP	SHEET INSULATION	BI600XC
38	B61884060AP	BRACKET CAPACITOR	BI600XC

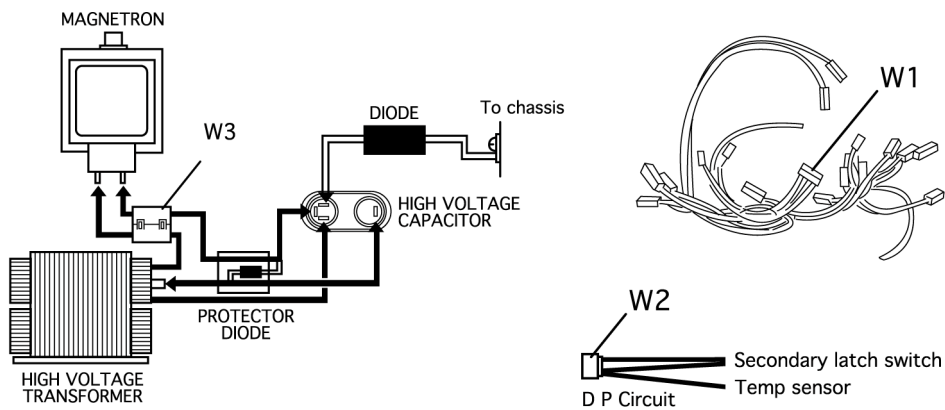
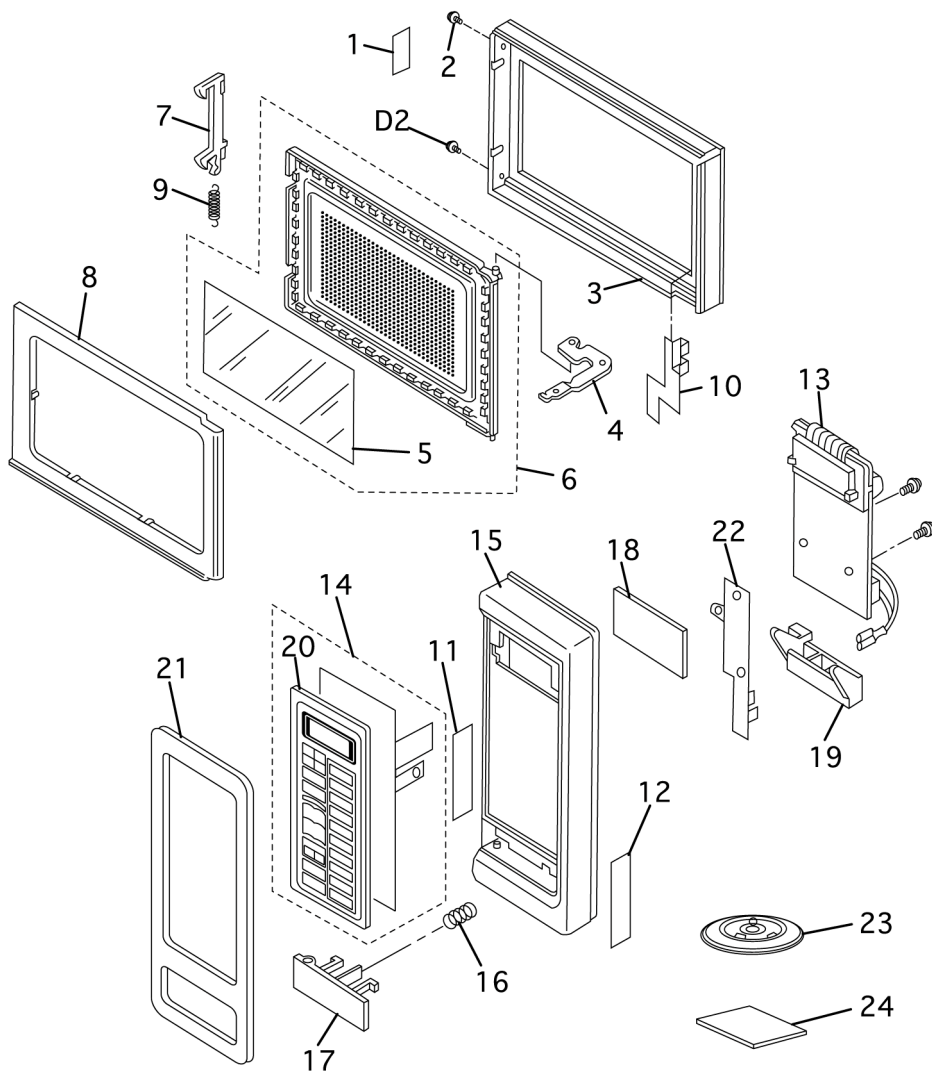
MICROWAVE PANASONIC NN-T687SA



MICROWAVE PANASONIC NN-T687SA

REF	PART	DESCRIPTION	MODEL
39	E60904080GP	CAPACITOR HIGH VOLTAGE	BI600XC
40	B910C4760QP	CABLE MAINS	BI600XC
41	XTT4+8B	SCREW	BI600XC
42	2M210-M1F1	MAGNETRON 1.0/1.2	BI600XC
43	B64498660AP	COVER SENSOR A	BI600XC
44	B64508660AP	COVER SENSOR B	BI600XC
45	B65438660AP	COVER SENSOR C	BI600XC
46	A607S7050AP	SENSOR STEAM	BI600XC
47	B692Y7680VP	FILTER NOISE	BI600XC
48	B606V7641QP	DIODE PROTECTOR	BI600XC
49	B03115460QP	N LABEL	BI600XC
NI	B08878640HAP	PAINT TOUCH UP WHITE	BI600XC
NI	B08878640AP	PAINT TOUCH UP BLACK	BI600XC
NI	B0887705AAP	PAINT CAVITY SPAN	BI600XC
NI	B0887700AAP	PAINT TOUCH-UP 1.0 T687SA	BI600XC
NI	B08877050AP	PAINT CAVITY SPRAY	BI600XC
NI	B08877000AP	PAINT TOUCH-UP	BI600XC

DOOR ASSEMBLY - NN-T687SA



DOOR ASSEMBLY - NN-T687SA

REF	PART	DESCRIPTION	MODEL
1	B01726210JP	LABEL CAUTION	BI600XC
2	XTBANE3+8BZ#	SCREW 3X8 DOOR A	BI600XC
3	B301A9580SAP	DOOR A STAINLESS	BI600XC
4	A30067050AP	HINGE UPPER DP	BI600XC
5	B31457050AP	SCREEN DOOR A	BI600XC
6	B302K8660AP	DOOR E BLACK	BI600XC
7	B30187051AP	DOOR KEY A	BI600XC
8	B30858640AP	DOOR C BLACK	BI600XC
9	B30214001AP	DOOR KEY SPRING	BI600XC
10	A31529570AP	PLATE GROUNDING	BI600XC
11	B00079580QP	NAME PLATE	BI600XC
12	B00079580JP	PLATE NAME NN-T687SA	BI600XC
13	B603L9580QP	CIRCUIT DP W/GR WIRE	BI600XC
14	B630Y9580QP	SWITCH MEMBRANE	BI600XC
15	A80349570AP	BASE ESCUTCHEON	BI600XC
16	B80375950AP	SPRING BUTTON	BI600XC
17	A80729570AP	BUTTON OPENING	BI600XC
18	B80029580AP	LENS DISPLAY	BI600XC
19	B82567630AP	LEVER OPENING	BI600XC
20	B83379580QP	SHEET ESCUTCHEON	BI600XC
21	A80359570AP	COVER ESCUTCH BASE	BI600XC
22	A66629570AP	PLATE GROUNDING	BI600XC
23	A06014000AP	TRAY GLASS COOKING	BI600XC
24	B00037862QP	BOOK INSTRUCTION	BI600XC
26	B03537051AP	WIRE NN-6455	BI600XC
27	A50966520UP	FERRITE CORE NN-5655/5455	BI600XC
28	A621A7600CP	COIL FILTER NN-S687WA/T687SA	BI600XC
29	A62316010BP	HOLDER FUSE NN-S687WA/T687SA	BI600XC
30	ECKDNS472MEX	CAPACITOR CERAMIC NN-S687WA/T687SA	BI600XC
31	ECQU2A104MN#	CAPACITOR SX-GX7/GX5/TX-29V2Z/V30/TC-W21	BI600XC
32	ERD25FJ564S	RESISTOR NN-6853 DP	BI600XC
33	ERZC10DK112W	VARISTOR	BI600XC
35	B030A8280JP	LEAD WIRE HARNESS	BI600XC

NOTES

BUILT IN DOUBLE MAIN DOOR ASSY

Technical Bulletins

447641 RA65

BUILT IN DOUBLE LOWER DOOR ASSEMBLY

Technical Bulletins

447641 RA65

Free Manuals Download Website

<http://myh66.com>

<http://usermanuals.us>

<http://www.somanuals.com>

<http://www.4manuals.cc>

<http://www.manual-lib.com>

<http://www.404manual.com>

<http://www.luxmanual.com>

<http://aubethermostatmanual.com>

Golf course search by state

<http://golfingnear.com>

Email search by domain

<http://emailbydomain.com>

Auto manuals search

<http://auto.somanuals.com>

TV manuals search

<http://tv.somanuals.com>