

Fisher & Paykel

Parts Manual

BI601 Series Double & Combination Wallovens

Models

BI601ED BI601QASE1.5

BI601QASE2 BI601XC

BI601XC2



599074

PRODUCTS

Brand Fisher & Paykel, Shacklock

Voltage 220-240V 50Hz

Model	Series	Code
BI601ED	0	84568 84569 87687 87688 87689 87690
BI601QASE1.5	0	87731 87738
BI601QASE2	0	87737
BI601XC	0	87681 87682
BI601XC2		87776

Fisher & Paykel Ltd
Whiteware Spare Parts
PO Box 14-148, Panmure.
80 Springs Rd, East Tamaki
New Zealand
Tel: (09) 272 0261
Fax: (09) 272 0219
Email: parts@fp.co.nz

CONTENTS

BUILT IN DOUBLE CONTROL PANELS.....	4
BUILT IN DOUBLE CONTROLS.....	6
BUILT IN DOUBLE ELEMENT & ACCESSORIES	8
BUILT IN DOUBLE CHASSIS ASSEMBLY	14
BUILT IN DOUBLE MAIN DOOR ASSY.....	18
BUILT IN DOUBLE LOWER DOOR ASSEMBLY	20
PANEL & TRIM COMPONENTS XC MODEL.....	22
MICROWAVE PANASONIC NN-T687SA	24
DOOR ASSEMBLY - NN-T687SA	28
NOTES	31
NNT791SS PARTS MANUAL	32
PACKING AND ACCESSORIES.....	32
INVERTER BOARD PARTS LIST	33
EXPLODED VIEW & PARTS LIST	35
DOOR ASSEMBLY	37
WIRING MATERIALS	37
ESCUTCHEON BASE ASSEMBLY.....	38

GUIDE TO USING THIS MANUAL

The model(s) and/or series covered by this manual are listed on the front cover.

The information detailed in this manual is subject to change without notice, the latest version is indicated by the reprint date and replaces any earlier editions.

The front cover picture shows the type of product and may not necessarily be an exact image of the models covered by the manual.

Part References

Where a Model is shown, the part is exclusive to the Model(s) stated. Common parts relating to a part reference are applicable to all other Model(s) which use the particular item.

Kit Parts

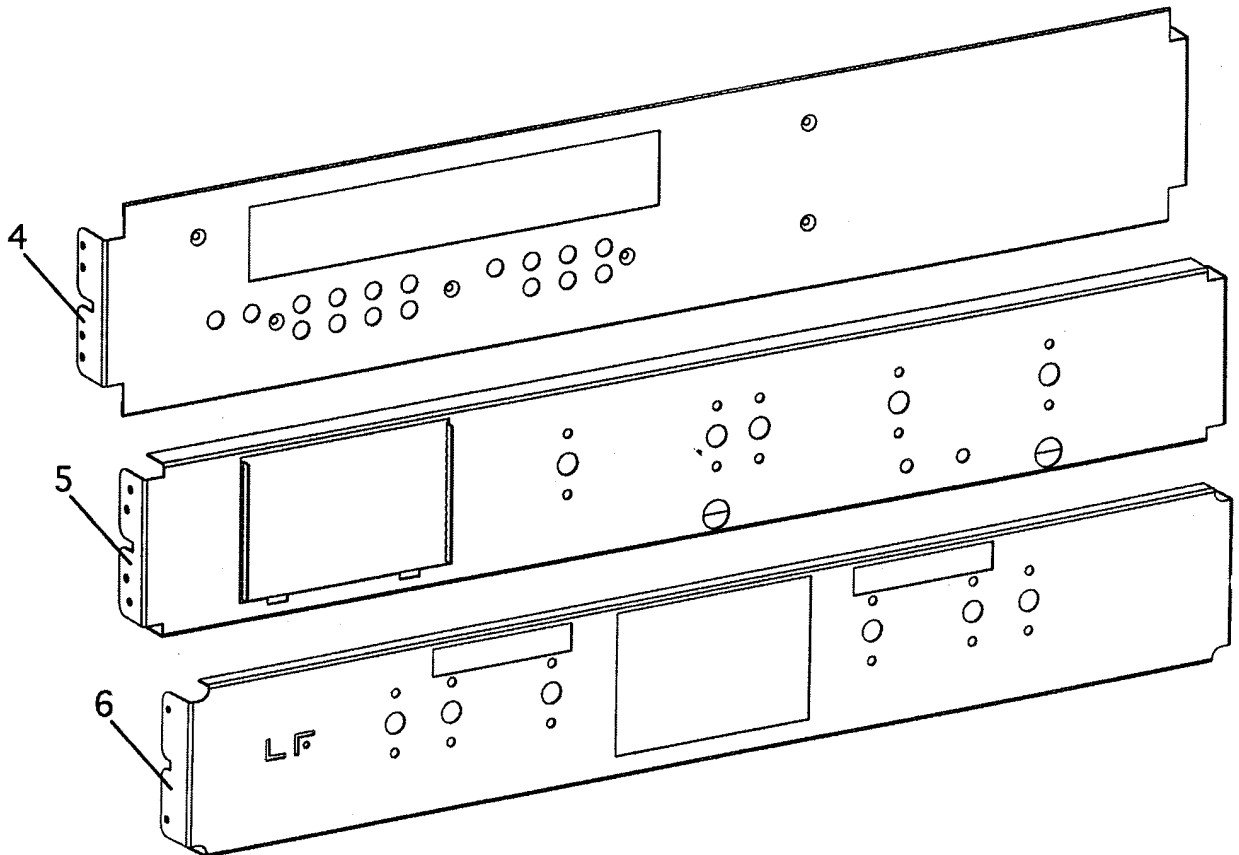
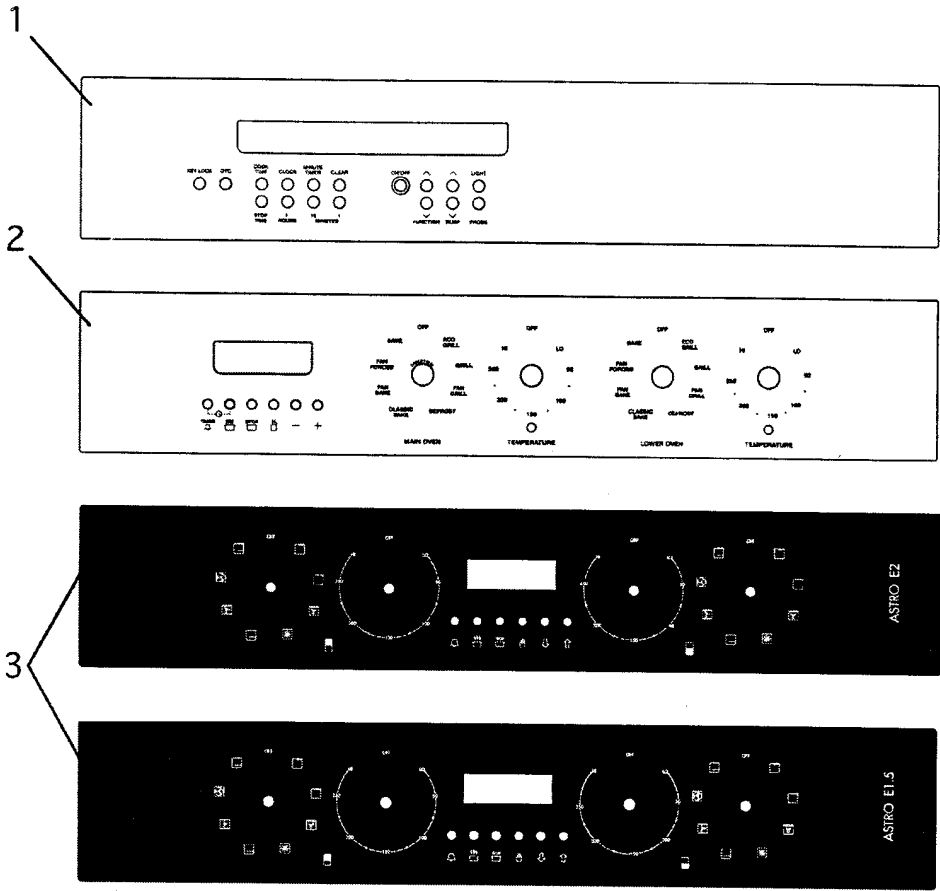
The components shown in *italics* are those parts in the kit which are available also as separate items. In addition, some parts may be supplied with this kit which are not available as separate items and are therefore not listed in this manual.

All details relating to Technical Bulletins or Notes are shown on a dedicated page. The Technical Bulletin Number shown relates to the bulletin version which is produced for New Zealand Service Centres.

Parts List Key

NOT USED	As a part, indicates the diagram part reference is not used in this manual.
#	Beside the part number, indicates the part is no longer available.
<i>italics</i>	Kit components shown in <i>italics</i> are also available separately.
*	Indicates a technical bulletin or note exists for the part or part reference.
NI	As a part reference, indicates the part is not illustrated on the diagram.

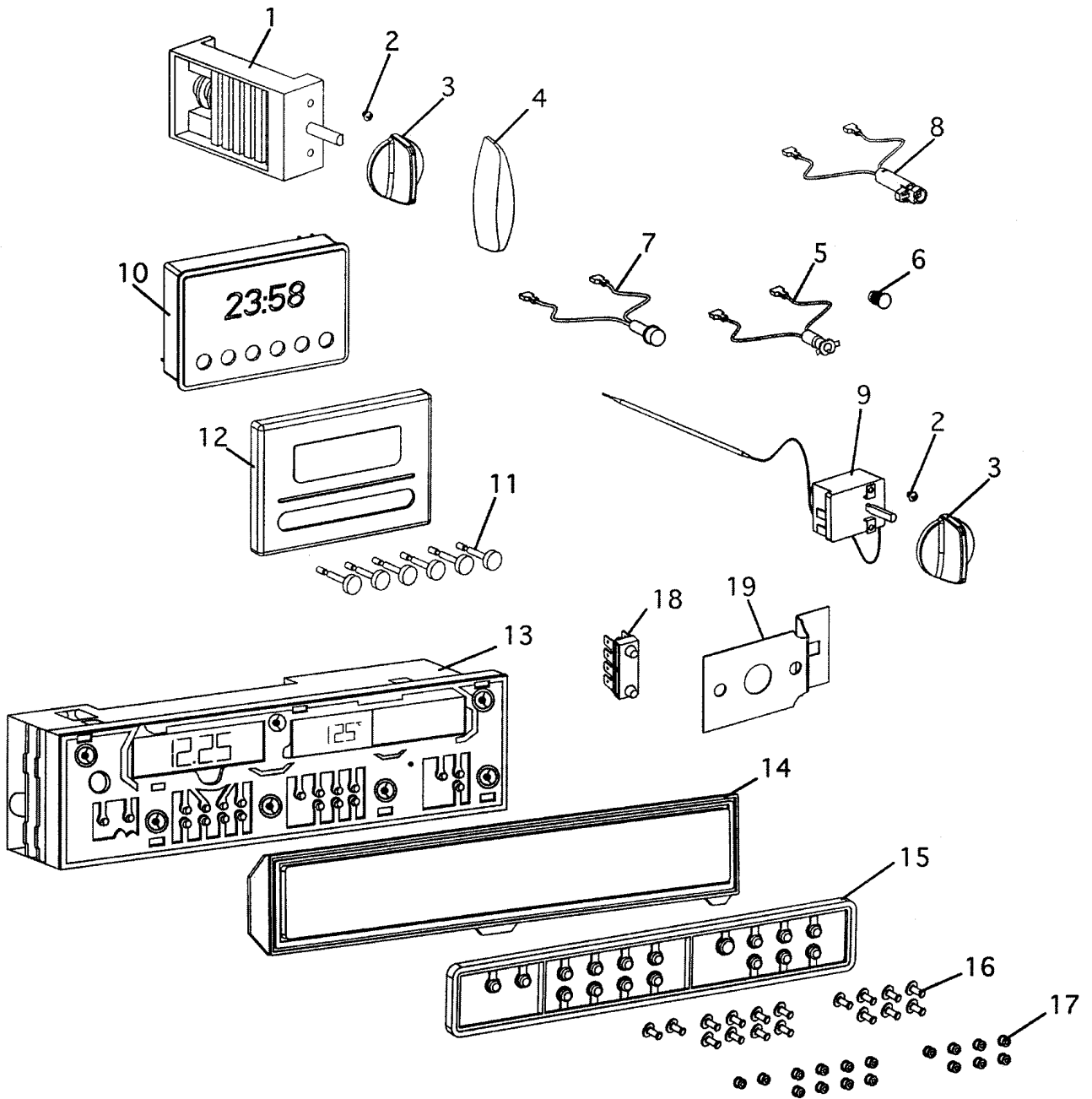
BUILT IN DOUBLE CONTROL PANELS



BUILT IN DOUBLE CONTROL PANELS

REF	PART	DESCRIPTION	MODEL	SERIES
1	541061	PANEL CONTROL ASSY WO600XSS SH	BI601XC	0
2	541060	PANEL CNTRL ASSY BI601ED SS	BI601ED	0
	541066	PANEL CNTRL ASSY BI601ED WW	BI601ED	0
3	540435	CONTROL CAP ASSY ASTRO E1.5	BI601QASE1.5	0
	540436	CONTROL CAP ASSY ASTRO E2	BI601QASE2	0
4	540802	PANEL CONTROL MTG BI601X	BI601XC	0
5	540800	PANEL CONTROL MTG BI601E/ED	BI601ED	0
6	540387	PANEL CONTROL MOUNTING	BI601QASE1.5	0
	540387	PANEL CONTROL MOUNTING	BI601QASE2	0

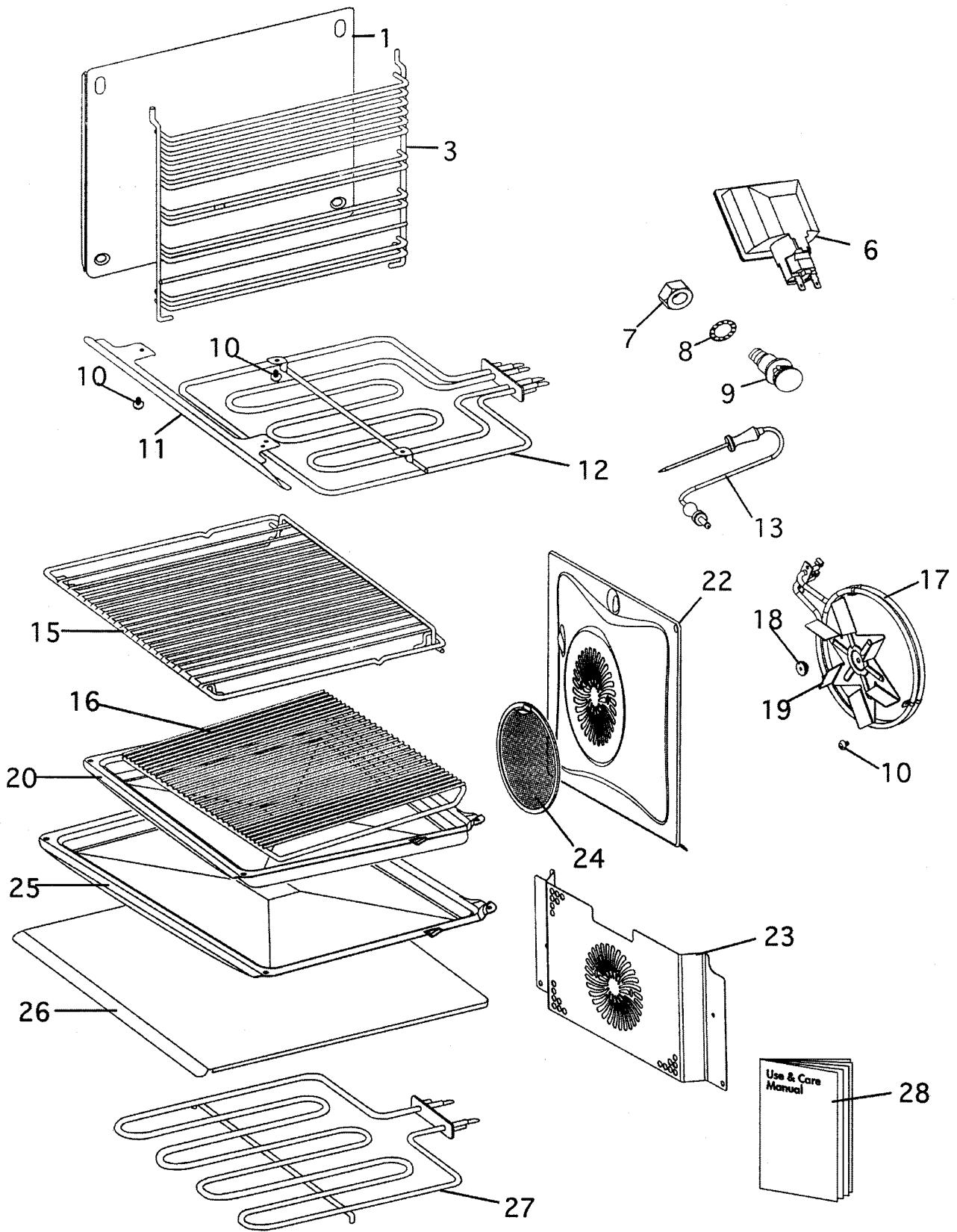
BUILT IN DOUBLE CONTROLS



BUILT IN DOUBLE CONTROLS

REF	PART	DESCRIPTION	MODEL	SERIES
1	540540	SWITCH FUNCT 601E 42.09000.017	BI601ED	0
	540540	SWITCH FUNCT 601E 42.09000.017	BI601QASE1.5	0
	540540	SWITCH FUNCT 601E 42.09000.017	BI601QASE2	0
2	556020	SCREW MC M4X5 PAN PH MS NP		
3	540779	KNOB ASSY SATIN	BI601ED	0
	540780	KNOB ASSY WHITE BI601	BI601ED	0
4	540301	KNOB AERON/ASTRO	BI601QASE1.5	0
	540301	KNOB AERON/ASTRO	BI601QASE2	0
5	447651	NEON 240MM TYPE 60XXXH230	BI601ED	0
6	447652	BEZEL NEON ROUND RED TYPE 601R	BI601ED	0
	540317	BEZEL NEON AERON	BI601ED	0
7	572919	NEON 190MM (ACTIVE)	BI601ED	0
8	540431	NEON BLUE ASTRO	BI601QASE1.5	0
	540431	NEON BLUE ASTRO	BI601QASE2	0
9	571071	THERMOSTAT EGO 55.18064.040		
10	572642	CLOCK ELECT ORBIASIC6 13156003	BI601ED	0
	572642	CLOCK ELECT ORBIASIC6 13156003	BI601QASE1.5	0
	572642	CLOCK ELECT ORBIASIC6 13156003	BI601QASE2	0
11	447649	BUTTON DIEHL 13126.438 BLACK	BI601ED	0
	573124	BUTTON DEIHL 13126-925 WHITE	BI601ED	0
	540394	BUTTON CLOCK ASTRO	BI601QASE1.5	0
	540395	BUTTON PUSH SILVER	BI601QASE2	0
12	540643	LENSE CLOCK DIEHL	BI601ED	0
13	447824P	CONSOLE FAN FORCED SERVICE	BI601XC	0
14	572341	LENSE INSERT CONSOLE ONE OVEN	BI601XC	0
15	540690	BUTTONS CONTROL BI601X	BI601XC	0
16	540385	BUTTON CONTROL ASTRO X		
17	540386	GASKET BUTTON CONTROL ASTRO X		
18	572699	TERMINAL BLOCK SNT-8		
19	540464	BRACKET NEON MOUNTING		

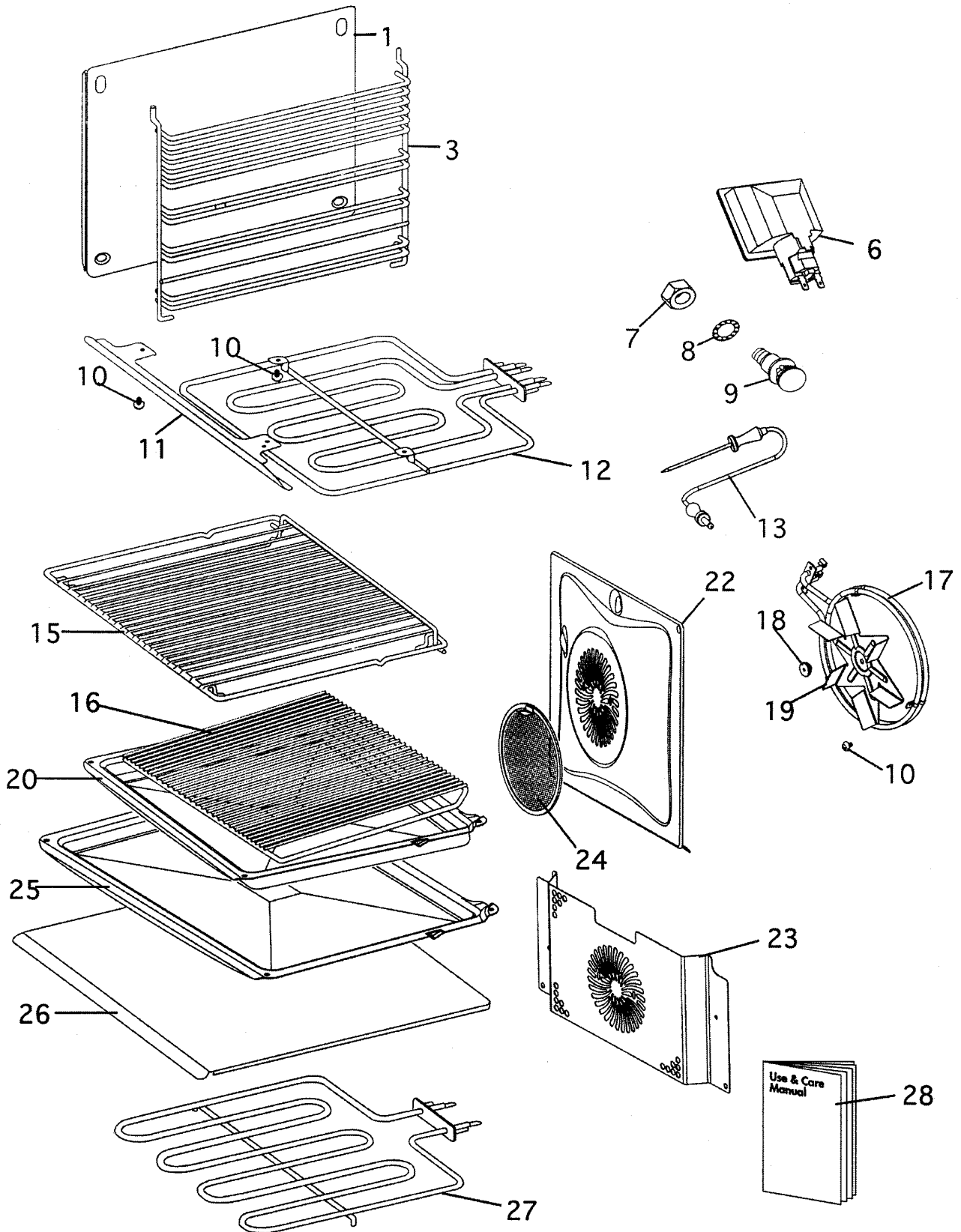
BUILT IN DOUBLE ELEMENT & ACCESSORIES



BUILT IN DOUBLE ELEMENT & ACCESSORIES

REF	PART	DESCRIPTION	MODEL	SERIES
1	447746	PANEL SIDE ENAM CAT BK	BI601ED	0
	540094	PANEL SIDE LWROVEN ENAM CAT BK	BI601ED	0
	447746	PANEL SIDE ENAM CAT BK	BI601QASE1.5	0
	540094	PANEL SIDE LWROVEN ENAM CAT BK	BI601QASE1.5	0
	447746	PANEL SIDE ENAM CAT BK	BI601QASE2	0
2	NOT USED			
3	447701	RUNNERS WIRE ASSY PLATED	BI601ED	0
	540173	RUNNERS WIRE ASSY LWR PLATED	BI601ED	0
	447334	RUNNERS WIRE ASSY PL SATIN CR	BI601QASE1.5	0
	540493	RUNNERS WIRE ASSY LWR SATIN CR	BI601QASE1.5	0
	447334	RUNNERS WIRE ASSY PL SATIN CR	BI601QASE2	0
	447701	RUNNERS WIRE ASSY PLATED	BI601XC	0
4	NOT USED			
5	NOT USED			
6	573112	LAMP ASSY SIDE BJB 77.705	BI601ED	0
	573235	LAMP FLOODLIGHT 230V 25W SES	BI601ED	0
	573236	COVER GLASS FLOODLIGHT	BI601ED	0
	573112	LAMP ASSY SIDE BJB 77.705	BI601QASE1.5	0
	573235	LAMP FLOODLIGHT 230V 25W SES	BI601QASE1.5	0
	573236	COVER GLASS FLOODLIGHT	BI601QASE1.5	0
	573112	LAMP ASSY SIDE BJB 77.705	BI601QASE2	0
	573235	LAMP FLOODLIGHT 230V 25W SES	BI601QASE2	0
	573236	COVER GLASS FLOODLIGHT	BI601QASE2	0
	573112	LAMP ASSY SIDE BJB 77.705	BI601XC	0
	573235	LAMP FLOODLIGHT 230V 25W SES	BI601XC	0
	573236	COVER GLASS FLOODLIGHT	BI601XC	0
7	556107	NUT M6 HEX 10AF FS MS ZNPL		
8	556510	WASHER LOCK 6MM INT SERR ST BU		
9	447716	STUD MOUNTING		
10	556095	SCREW ST 8X3/8 TAB MSH TX20 NP		
11	540005	GUARD TOP ELEMENT ENAM BU MOT	BI601ED	0
	447330	GUARD TOP ELEMENT PL SATIN CR	BI601QASE1.5	0
	540702	GUARD TOP ELEMENT ENAM FLINT	BI601QASE1.5	0
	447330	GUARD TOP ELEMENT PL SATIN CR	BI601QASE2	0
	540702	GUARD TOP ELEMENT ENAM FLINT	BI601QASE2	0
	540005	GUARD TOP ELEMENT ENAM BU MOT	BI601XC	0
12	540510	ELEMENT ASSY TOP		

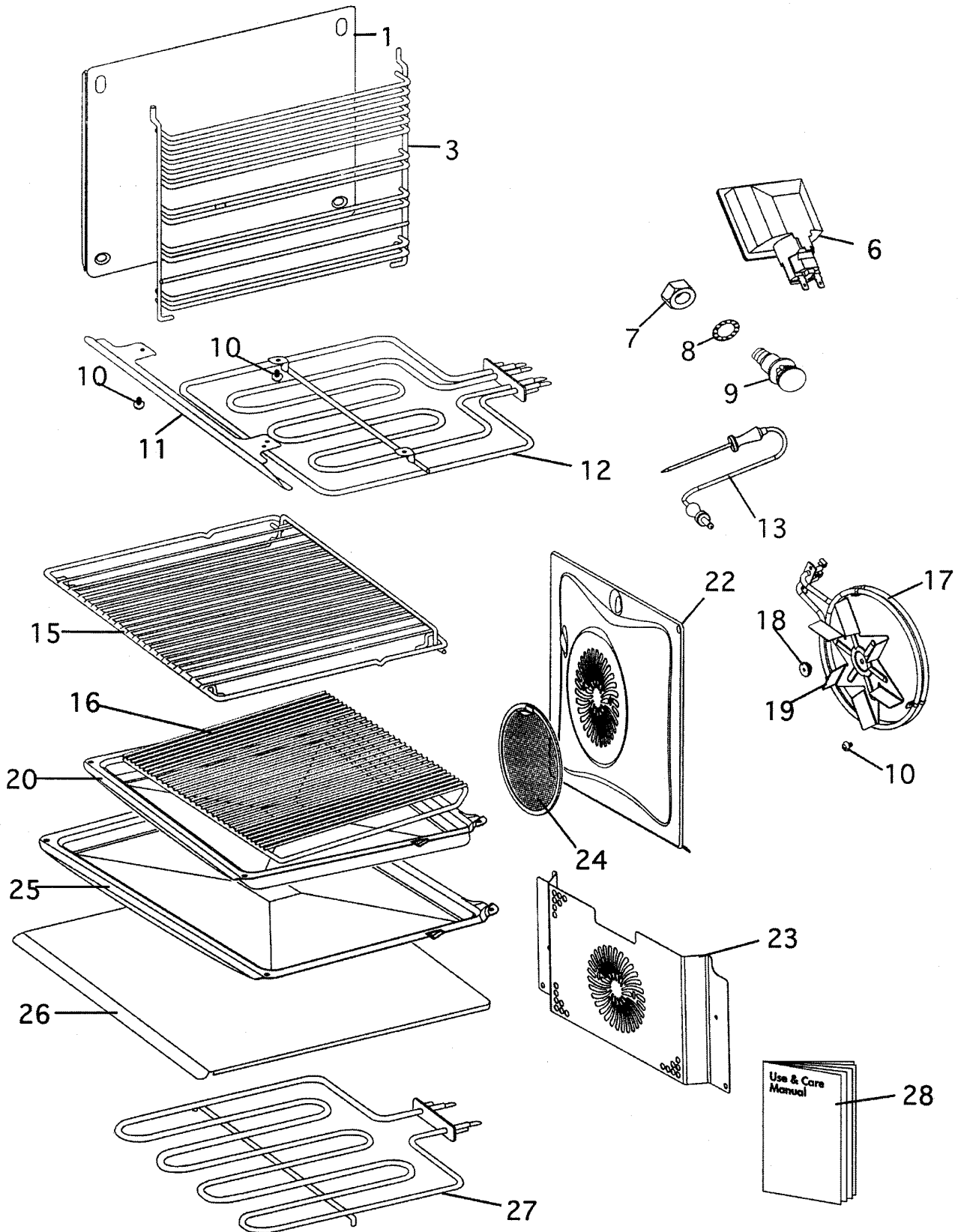
BUILT IN DOUBLE ELEMENT & ACCESSORIES



BUILT IN DOUBLE ELEMENT & ACCESSORIES

REF	PART	DESCRIPTION	MODEL	SERIES
13	571644	PROBE MEAT DIEHL 713904023	BI601XC	0
14	NOT USED			
15	447364	RACK BAKE 600 PLATED	BI601ED	0
	447366	RACK BAKE 600 PLATED SATIN CR	BI601QASE1.5	0
	447366	RACK BAKE 600 PLATED SATIN CR	BI601QASE2	0
	447364	RACK BAKE 600 PLATED	BI601XC	0
16	540547	RACK GRILL INSERT PLATED	BI601ED	0
	540642	RACK GRILL INSERT SATIN PLATED	BI601QASE1.5	0
	540642	RACK GRILL INSERT SATIN PLATED	BI601QASE2	0
	540547	RACK GRILL INSERT PLATED	BI601XC	0
17	447752	ELEMENT ASSY FAN 20.29477.020		
18	573067	FAN LOCK NUT EBM		
19	572973	FAN BLADE (FASCO MOTOR)		
20	540003	TRAY BAKING 600 ENAM BU MOT	BI601ED	0
	540452	TRAY BAKING 600 ENAM FLINT	BI601QASE1.5	0
	540452	TRAY BAKING 600 ENAM FLINT	BI601QASE2	0
	540003	TRAY BAKING 600 ENAM BU MOT	BI601XC	0
22	573161	SHROUD FAN ELEMENT ENAM CAT BK	BI601ED	0
	573161	SHROUD FAN ELEMENT ENAM CAT BK	BI601QASE1.5	0
	573161	SHROUD FAN ELEMENT ENAM CAT BK	BI601QASE2	0
	573161	SHROUD FAN ELEMENT ENAM CAT BK	BI601XC	0
23	540419	SHROUD FAN BI45 AERO EN CAT BK	BI601ED	0
	540419	SHROUD FAN BI45 AERO EN CAT BK	BI601QASE1.5	0
24	447828	FILTER FAT		
25	540004	TRAY ROASTING 600 ENAM BU MOT	BI601ED	0
	540453	TRAY ROASTING 600 ENAM FLINT	BI601QASE1.5	0
	540453	TRAY ROASTING 600 ENAM FLINT	BI601QASE2	0
	540004	TRAY ROASTING 600 ENAM BU MOT	BI601XC	0
26	540451	COVER LWR ELEMENT ENAM FLINT	BI601ED	0
	540451	COVER LWR ELEMENT ENAM FLINT	BI601QASE1.5	0
	540451	COVER LWR ELEMENT ENAM FLINT	BI601QASE2	0
	540007	COVER LWR ELEMENT ENAM BU MOT	BI601XC	0
27	447751	ELEMENT ASSY LOWER		
28	540783	BOOK USE & CARE BI601/451	BI601ED	0
	541024	BOOK USER GUIDE BI601 ASTRO	BI601QASE1.5	0
	541024	BOOK USER GUIDE BI601 ASTRO	BI601QASE2	0
	540783	BOOK USE & CARE BI601/451	BI601XC	0

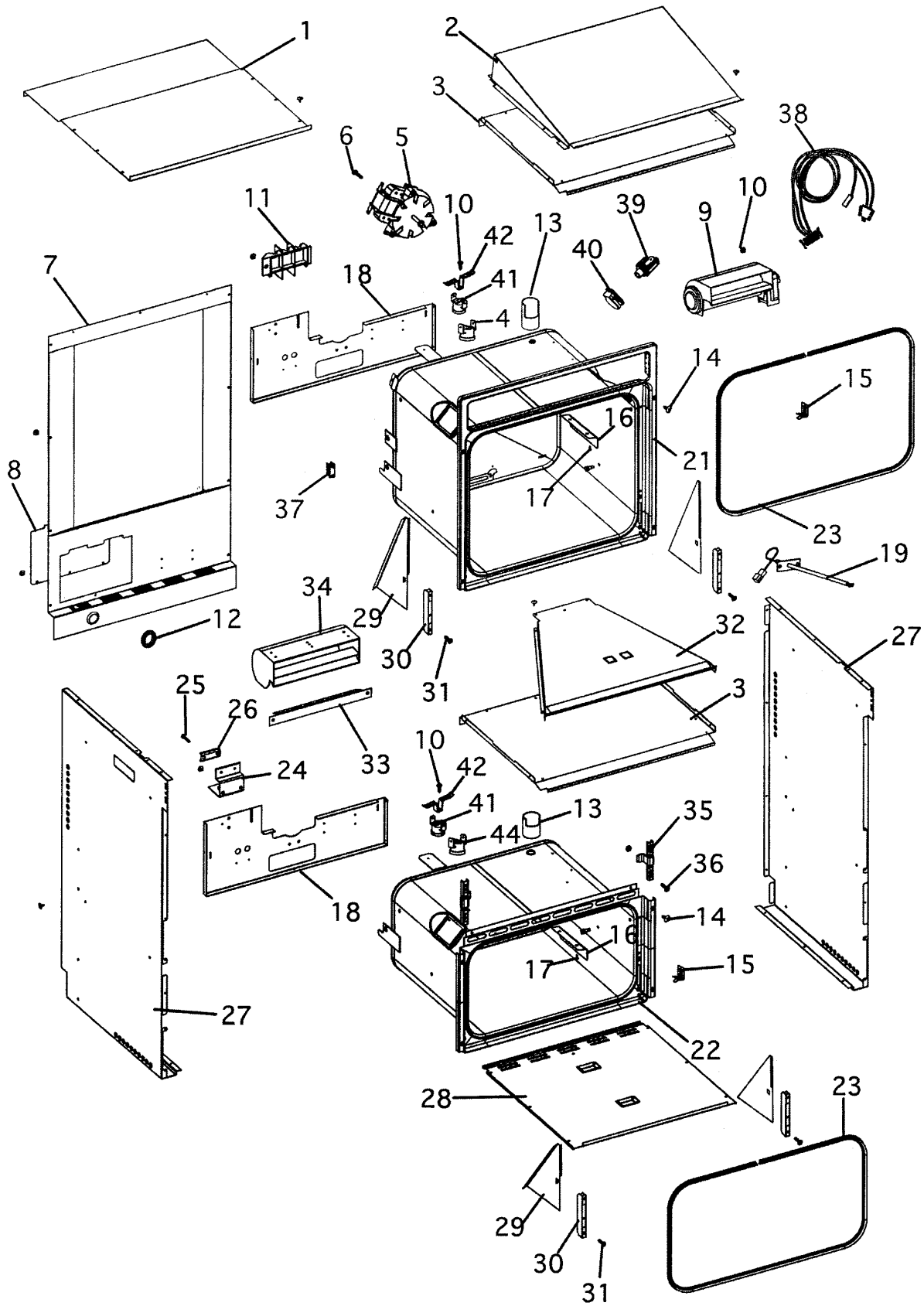
BUILT IN DOUBLE ELEMENT & ACCESSORIES



BUILT IN DOUBLE ELEMENT & ACCESSORIES

REF	PART	DESCRIPTION	MODEL	SERIES
NI	89017	ACPROD PIZZA STONE		
	<i>447813</i>	<i>PIZZA PADDLE</i>		
	<i>447820</i>	<i>CARD INSTRUCTION PIZZA STONE</i>		
NI	571972	CARD WARRANTY (NEW ZEALAND)		
NI	473664	CARD WARRANTY F&P AU		
NI	540784	CARD INSTAL INSTR BI601/451		
NI	541001	CARD INSTAL INSTR BI601/451Q		
NI	872959	SMART CARE LEAFLET&ENVELOPE AU		
NI	479151	LEAFLET SMART CARE NZ		

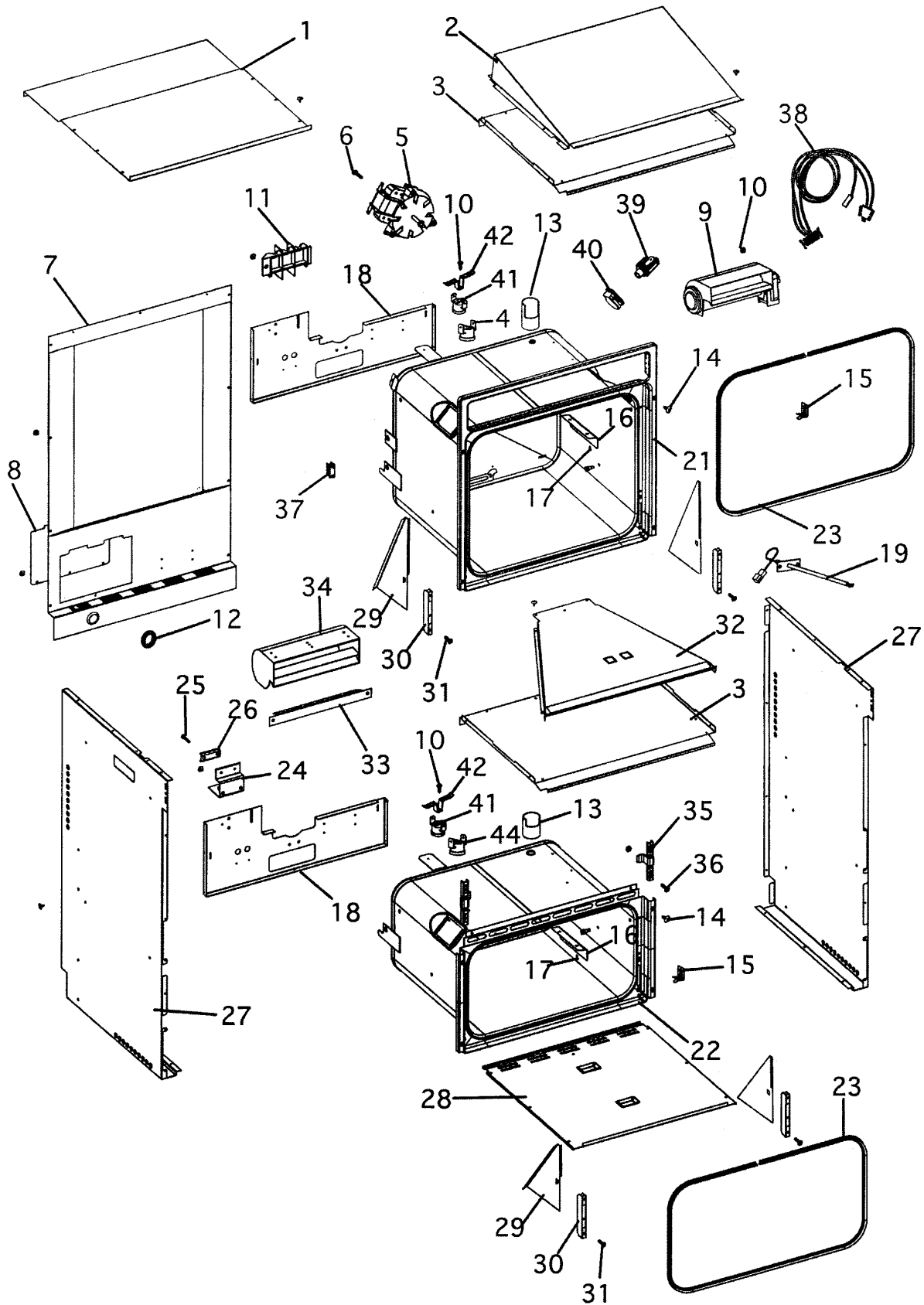
BUILT IN DOUBLE CHASSIS ASSEMBLY



BUILT IN DOUBLE CHASSIS ASSEMBLY

REF	PART	DESCRIPTION	MODEL	SERIES
1	447507	COVER WIRING TOP		
2	540649	PANEL MOUNTING FAN DUCT		
3	447506	PANEL INSULATION FAN DUCT		
4	540039	LIMITER 140C CAMPINI TY60 NC		
5	572923	FAN KITSET J06OV10A 3/4 STACK		
6	556037#	SCREW ST 8X5/8 TAB PAN PH HS NIPL		
7	540712	COVER WIRING BACK 1.5DBL	BI601ED	0
	540712	COVER WIRING BACK 1.5DBL	BI601QASE1.5	0
	540713	COVER WIRING BACK 2DBL	BI601QASE2	0
	540688	COVER WIRING BACK BI600XC	BI601XC	0
8	571878	COVER INSPECTION		
9	573028	FAN CONSORT HR180006-A200		
10	556047	SCREW ST 4X3/8 TAB PAN PH NP		
11	572640	TERMINAL BLOCK MAINS		
12	447612	GROMMET MAINS CABLE (IM6160)		
13	447520	VENT TUBE WO600		
	540120	VENT TUBE LOWER OVEN		
14	556078	SCREW ST 8X12MM TAB MTS PH BK		
15	471651	CLIP THERMST TUBE 3MM FT47220		
16	540011	GUARD THERMOSTAT ENAM BU MOT	BI601ED	0
	540430	GUARD THERMOSTAT ENAM FLINT	BI601QASE1.5	0
	540430	GUARD THERMOSTAT ENAM FLINT	BI601QASE2	0
	540011	GUARD THERMOSTAT ENAM BU MOT	BI601XC	0
17	556082	SCREW ST M4X12 XTITE HXWPH NWX		
18	540650	BRACKET SUPPORT OVEN		
19	571630	PROBE TEMP. SENSOR HY CAL		
20	NOT USED			
21	540730	OVEN&FRAME ENAM BI600E BU MOT	BI601ED	0
	540738	OVEN&FRAME ENAM BI6QASE FLINT	BI601QASE1.5	0
	540738	OVEN&FRAME ENAM BI6QASE FLINT	BI601QASE2	0
	540734	OVEN&FRAME ENAM BI600X BU MOT	BI601XC	0
22	540749	LOWER OVEN & VENTED FRAME ENAM BLU MOT	BI601ED	0
	540751	OVEN&FRAME ENAM LWR BI6 FLINT	BI601QASE1.5	0
	540753	OVEN&FRAME ENAM LWR BI62 FLINT	BI601QASE2	0
23	540640	GASKET OVEN BI601		
	541026	GASKET OVEN BI451	BI601QASE1.5	0

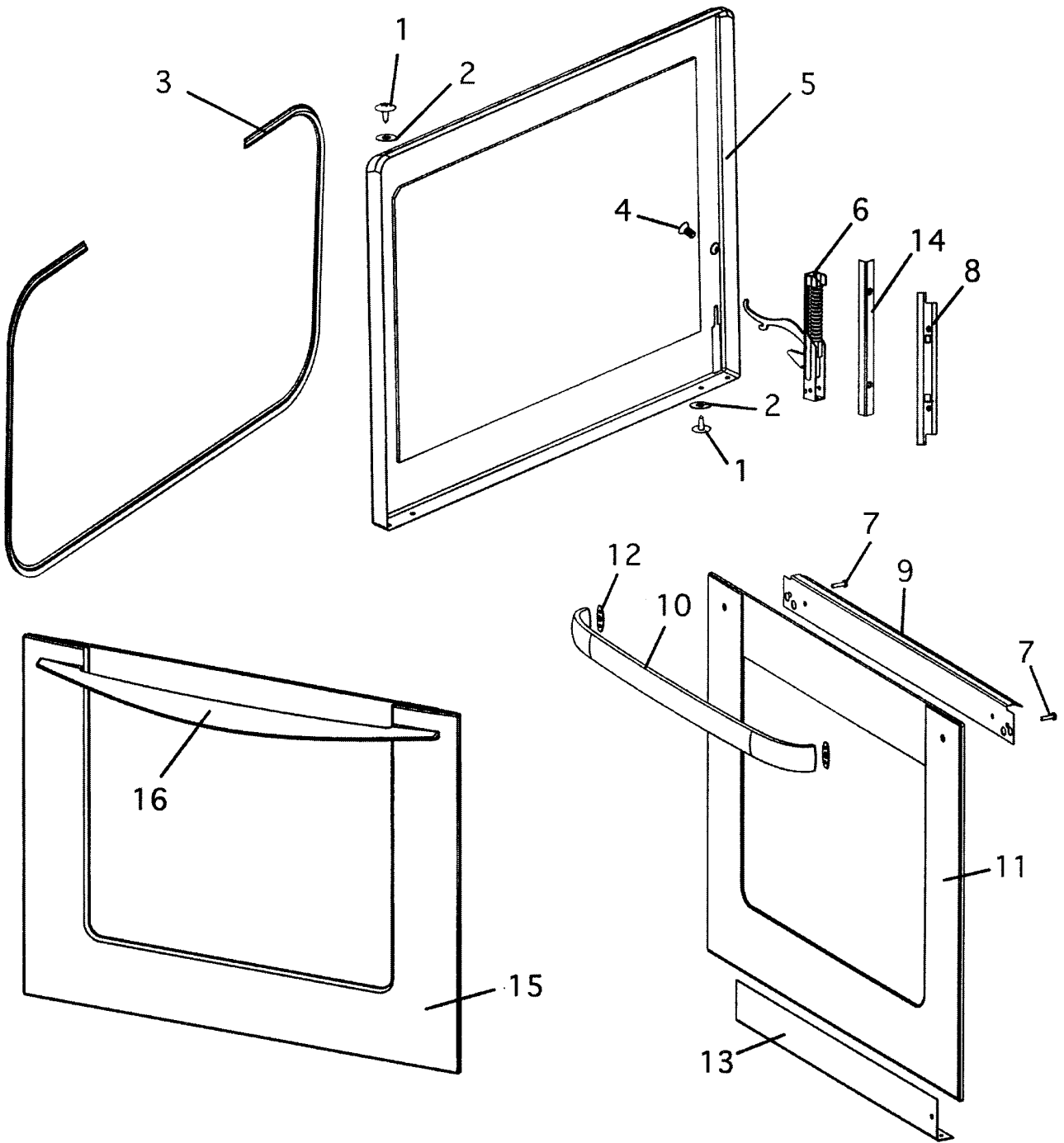
BUILT IN DOUBLE CHASSIS ASSEMBLY



BUILT IN DOUBLE CHASSIS ASSEMBLY

REF	PART	DESCRIPTION	MODEL	SERIES
24	75017	PLATE CABLE ENTRY		
25	556084	SCREW TAPTITE M4X25 HEXPH BZWX		
26	74152	CLAMP CABLE ENTRY		
27	540655	PANEL SIDE LEFT 600D	BI601ED	0
	540656	PANEL SIDE RIGHT 600D	BI601ED	0
	540655	PANEL SIDE LEFT 600D	BI601QASE1.5	0
	540656	PANEL SIDE RIGHT 600D	BI601QASE1.5	0
	540658	PANEL SIDE LEFT 100-100	BI601QASE2	0
	540659	PANEL SIDE RIGHT 100-100	BI601QASE2	0
28	540651	PANEL INSULATION BASE BI600		
29	540652	DUCT HINGE RIGHT LARGE	BI601ED	0
	540653	DUCT HINGE LEFT LARGE	BI601ED	0
	540666	DUCT HINGE RIGHT SMALL	BI601ED	0
	540667	GUARD HINGE LEFT SMALL (VENTED FRAME)	BI601ED	0
	540652	DUCT HINGE RIGHT LARGE	BI601QASE1.5	0
	540653	DUCT HINGE LEFT LARGE	BI601QASE1.5	0
	540652	DUCT HINGE RIGHT LARGE	BI601QASE2	0
	540653	DUCT HINGE LEFT LARGE	BI601QASE2	0
	540666	DUCT HINGE RIGHT SMALL	BI601QASE2	0
	540667	GUARD HINGE LEFT SMALL (VENTED FRAME)	BI601QASE2	0
30	447657	HINGE COUNTER SUPPORT 6101071		
31	556072	SCREW MC M5X10 CSK PH MS BLACK		
32	540195	DUCT LOWER VENT BI600D		
33	540194	DEFLECTOR AIR BI600ED		
34	540196	FAN EBM QLK45/1800-2518		
35	540178	BRACKET TRANSITION JOIN		
36	NOT USED			
37	572699	TERMINAL BLOCK SNT-8		
38	571672	HARNESS CONTROLLER/PROBE TM620	BI601XC	0
39	572971	JACK PROBE LEFEVA J119 F MIC	BI601XC	0
40	572972	COVER JACK PROBE LEFEVA C0-3	BI601XC	0
41	540785	LIMITER 80C CAMPINI TY60 NO		
42	540789	CLIP DOUBLE LIMITER CAMPINI		
43	NOT USED			
44	573220	LIMITER 155C CAMPINI TY60 NC	BI601ED	0
	573220	LIMITER 155C CAMPINI TY60 NC	BI601QASE1.5	0

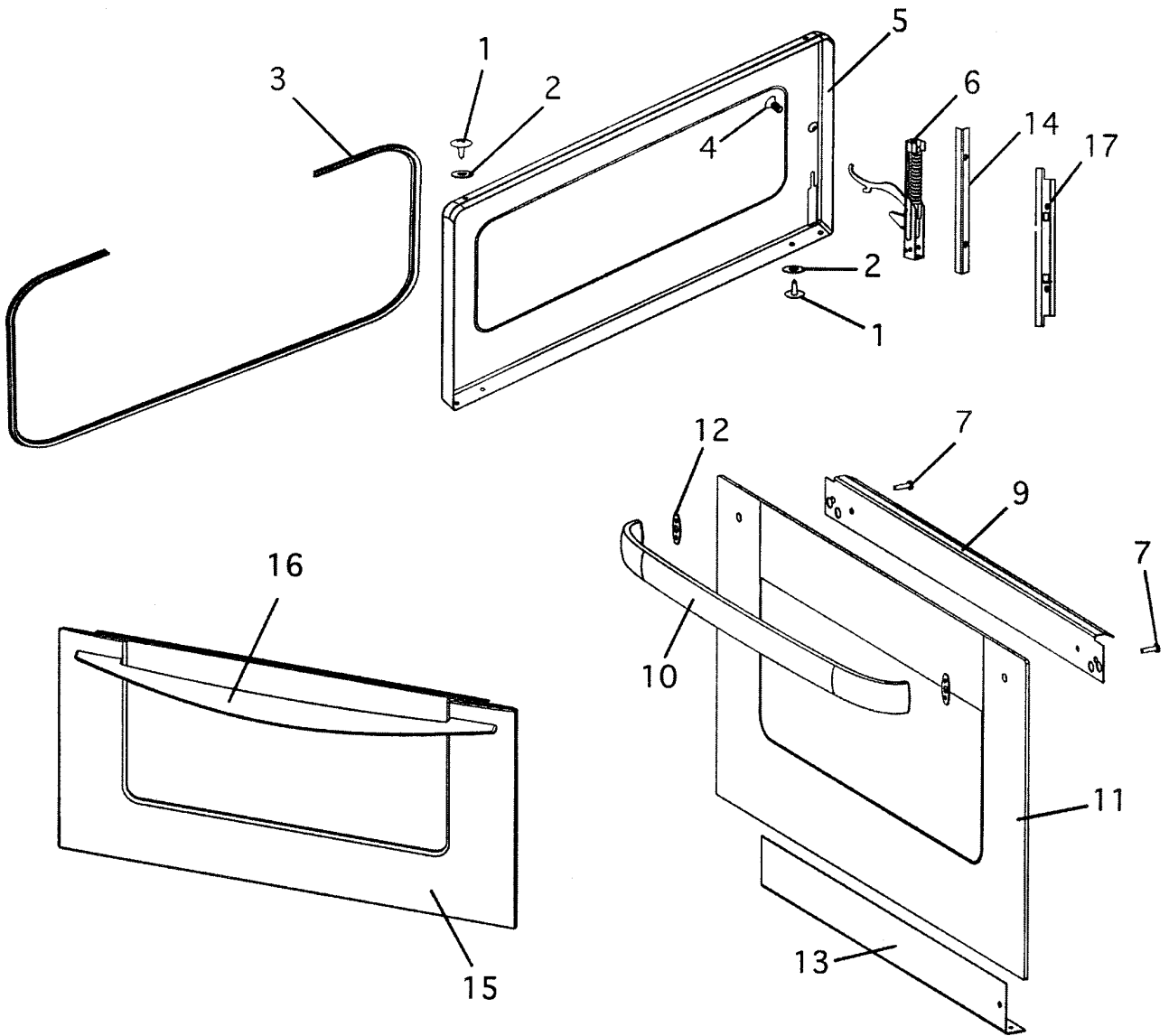
BUILT IN DOUBLE MAIN DOOR ASSY



BUILT IN DOUBLE MAIN DOOR ASSY

REF	PART	DESCRIPTION	MODEL	SERIES
1	556074	SCREW ST 8X8MM TAB MTSPH BLACK		
2	556504	WASHER 4.0 10.0 0.4 FIBRE BK		
3	447535	GASKET DOOR WO600 C/L 1450MM		
4	556072	SCREW MC M5X10 CSK PH MS BLACK		
5	540023	DOOR INNER ASSY BI600 BU MOT	BI601ED	0
	540440	DOOR INNER ASSY BI600 FLINT	BI601QASE1.5	0
	540440	DOOR INNER ASSY BI600 FLINT	BI601QASE2	0
	540023	DOOR INNER ASSY BI600 BU MOT	BI601XC	0
6	447656	HINGE 6213210		
7	556614	SCREW MC M5X14 HXW PH ZN PL	BI601ED	0
	556614	SCREW MC M5X14 HXW PH ZN PL	BI601XC	0
8	541029	BRACKET STIFFNR DOOR BI601 BK	BI601ED	0
	541029	BRACKET STIFFNR DOOR BI601 BK	BI601XC	0
9	447514	BRACKET INNER DOOR TOP	BI601ED	0
	447514	BRACKET INNER DOOR TOP	BI601XC	0
10	540916	HANDLE CURVED BI601 WHITE	BI601ED	0
	540917	HANDLE CURVED BI601 FP WW	BI601ED	0
	540926	HANDLE CURVED BI601 SH WW	BI601ED	0
	540921	HANDLE CURVED BI601 FP SATIN	BI601XC	0
	540922	HANDLE CURVED BI601 SATIN	BI601XC	0
11	540571	GLASS DOOR FULL WW	BI601ED	0
	540899	DOOR OUTER ASSY BI601A/E SS	BI601ED	0
	540899	DOOR OUTER ASSY BI601A/E SS	BI601XC	0
12	540639	GROMMET HANDLE CURVED BI601 WH		
13	447516	BRACKET INNER DOOR BOTTOM		
14	* 447641	BRACKET STIFFENER DOOR		
15	540439	DOOR OUTER ASSY ASTRO LONG	BI601QASE1.5	0
	540437	DOOR OUTER ASSY ASTRO FULL	BI601QASE2	0
	540439	DOOR OUTER ASSY ASTRO LONG	BI601QASE2	0
16	540379	HANDLE DOOR ASTRO	BI601QASE1.5	0
	540379	HANDLE DOOR ASTRO	BI601QASE2	0
NI	447449	RIVET MO/OP 1/8 D-1/8 G		
NI	541027	INSUL DOOR BI601/451		

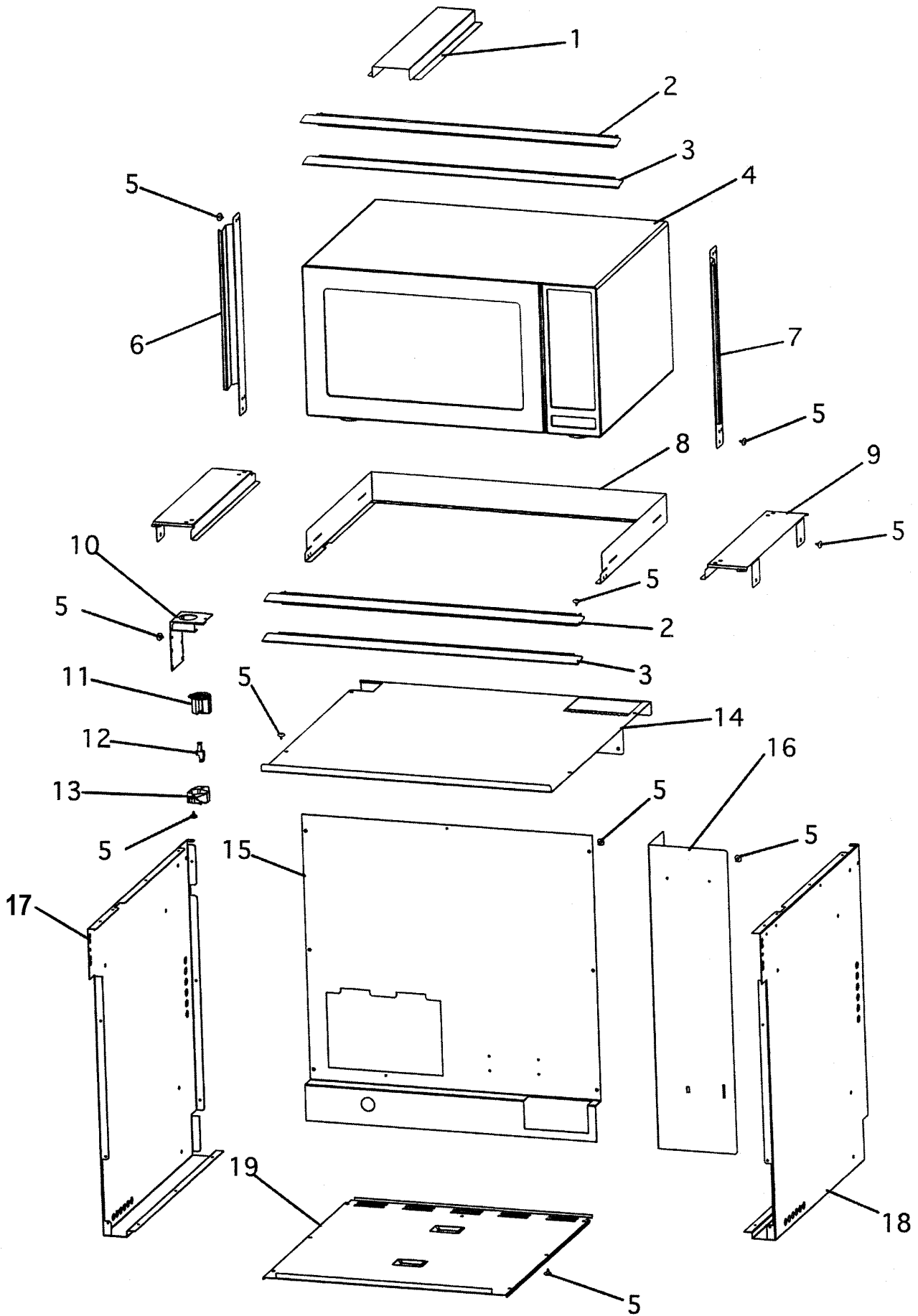
BUILT IN DOUBLE LOWER DOOR ASSEMBLY



BUILT IN DOUBLE LOWER DOOR ASSEMBLY

REF	PART	DESCRIPTION	MODEL	SERIES
1	556074	SCREW ST 8X8MM TAB MTSPH BLACK		
2	556504	WASHER 4.0 10.0 0.4 FIBRE BK		
3	540154	GASKET INNER DOOR LOWER 1159MM		
4	556072	SCREW MC M5X10 CSK PH MS BLACK		
5	540151	DOOR INNER LWR ASSY600D BU MOT	BI601ED	0
	540441	DOOR INNER ASSY BI450 FLINT	BI601QASE1.5	0
6	540153	HINGE 6216990		
7	556614	SCREW MC M5X14 HXW PH ZN PL	BI601ED	0
8	NOT USED			
9	447514	BRACKET INNER DOOR TOP	BI601ED	0
10	540916	HANDLE CURVED BI601 WHITE	BI601ED	0
	540922	HANDLE CURVED BI601 SATIN	BI601ED	0
11	540561	GLASS DOOR HALF WW	BI601ED	0
	540979	DOOR OUTER ASSY BI451A/601EDSS	BI601ED	0
12	540639	GROMMET HANDLE CURVED BI601 WH	BI601ED	0
13	447516	BRACKET INNER DOOR BOTTOM	BI601ED	0
14	* 447641	BRACKET STIFFENER DOOR		
15	540438	DOOR OUTER ASSY ASTRO HALF	BI601QASE1.5	0
16	540379	HANDLE DOOR ASTRO	BI601QASE1.5	0
17	541028	BRACKET STIFFENER DOOR		
NI	541027	INSUL DOOR BI601/451		

PANEL & TRIM COMPONENTS XC MODEL



PANEL & TRIM COMPONENTS XC MODEL

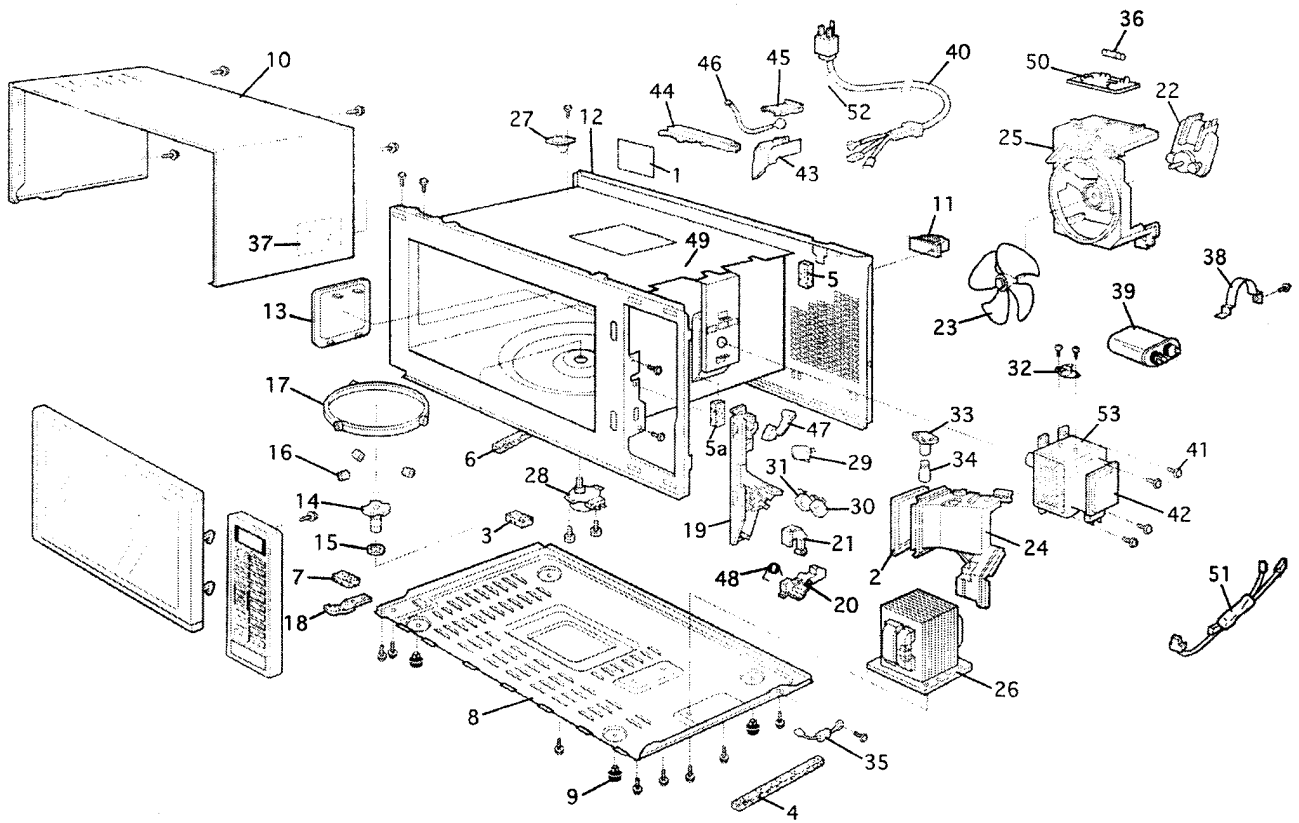
REF	PART	DESCRIPTION	MODEL	SERIES
1	540211	DUCT STEAM	BI601XC	0
2	540208	TRIM MICROWAVE UPPER STAINLESS	BI601XC	0
3	540207	TRIM MICROWAVE LOWER STAINLESS	BI601XC	0
4	540212	MICROWAVE OVEN NNT687SA	BI601XC	0
5	556095	SCREW ST 8X3/8 TAB MSH TX20 NP		
6	540058	TRIM MICROWAVE LEFT STAINLESS	BI601XC	0
7	540059	TRIM MICROWAVE RIGHT STAINLESS	BI601XC	0
8	447431	BRACKET BAFFLE MICROWAVE	BI601XC	0
9	447430	BRACKET SUPPORT MICROWAVE	BI601XC	0
10	572851	BRACKET MICROWAVE OUTLET	BI601XC	0
11	572204	OUTLET SOCKET FACE WHITE	BI601XC	0
	75220	TERM OUTLET CONTACT H25748		
12	75220	TERM OUTLET CONTACT H25748	BI601XC	0
13	572205	OUTLET SOCKET RETAINER	BI601XC	0
14	540687	COVER WIRING TOP BI600XC	BI601XC	0
15	540688	COVER WIRING BACK BI600XC	BI601XC	0
16	540689	DUCT AIR BI600XC	BI601XC	0
17	540685	PANEL SIDE LH MICROWAVE	BI601XC	0
18	540686	PANEL SIDE RH MICROWAVE	BI601XC	0
19	540651	PANEL INSULATION BASE BI600		

June 2001: The BI601XC is undergoing a change and is about to be released with a new Panasonic inverter microwave oven at which time the model number will change to BI601XC2. Listed below are the components that will change.

541204	MICROWAVE OVEN NN-T790SF SS	BI601XC2
541203	DUCT STEAM	BI601XC2
541197	BRACKET SUPPORT MICROWAVE	BI601XC2
541198	BRACKET BAFFLE MICROWAVE	BI601XC2
541405	LENSE INSERT CONSOLE BI601XC2	

All other components used in the BI601XC are compatible with the BI601XC2.

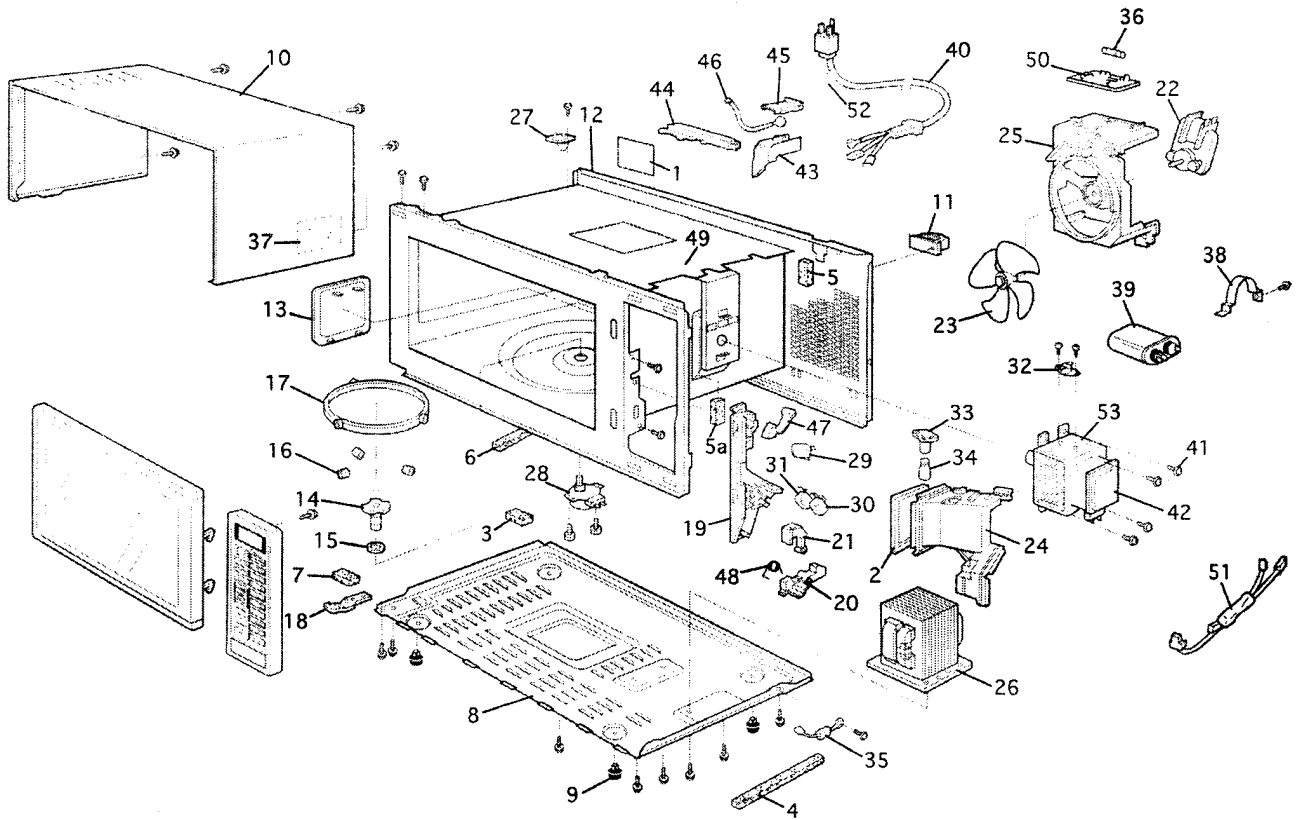
MICROWAVE PANASONIC NN-T687SA



MICROWAVE PANASONIC NN-T687SA

REF	PART	DESCRIPTION	MODEL	SERIES
1	B00065460JP	LABEL CAUTION	BI601XC	0
2	AMQ0902000AR	RUBBER CUSHION	BI601XC	0
3	AMQ0902000BA	RUBBER CUSHION	BI601XC	0
4	AMQ0902000AH	CUSHION RUBBER A	BI601XC	0
5	AMQ0908000AE	CUSHION RUBBER A	BI601XC	0
6	AMQ0928000AT	CUSHION RUBBER A	BI601XC	0
7	AMQ0904000BB	CUSHION RUBBER A	BI601XC	0
8	B10018640AP	BASE DP	BI601XC	0
9	B10088250AP	FOOT DP	BI601XC	0
10	B110D9580AP	CABINET BODY	BI601XC	0
11	B11408760AP	STOPPER A	BI601XC	0
12	B201A9390RP	OVEN 1.2 NN-T687SA	BI601XC	0
13	A2055-1000	COVER	BI601XC	0
14	B21315540AP	SHAFT PULLEY	BI601XC	0
15	B21777050AP	WASHER DP	BI601XC	0
16	B202K4650AP	ROLLER B	BI601XC	0
17	B290D5500AP	RING ROLLER NN-6455A/6705A/6855A	BI601XC	0
18	A30077050AP	HINGE LOWER DP	BI601XC	0
19	B30204830AP	HOOK DOOR	BI601XC	0
20	B31374830AP	SPACER HOOK B	BI601XC	0
21	B31384830AP	SPACER HOOK C	BI601XC	0
22	2Z-9AUA.S.	MOTOR FAN	BI601XC	0
23	B40085951AP	FAN BLADE	BI601XC	0
24	B40258250AP	GUIDE AIR A	BI601XC	0
25	B41447630AP	ORIFICE 1.2	BI601XC	0
26	B621C9250QP	TRANSFORMER HIGH VOLTAGE	BI601XC	0
27	A601L5180AP	SENSOR TEMP	BI601XC	0
28	A63264760JP	MOTOR T/TABLE	BI601XC	0
29	ANE6142-1450	MICROSWITCH	BI601XC	0
30	A61425180AP	MICROSWITCH	BI601XC	0
31	A61785180AP	MICROSWITCH	BI601XC	0
32	B61456240QP	THERMAL CUTOUT	BI601XC	0
33	B61524740AQ	SOCKET	BI601XC	0
34	B60304080BP	LAMP INCADESCENT	BI601XC	0
35	A62024000AP	DIODE SI	BI601XC	0
36	B63317550GP	FUSE	BI601XC	0
37	B60704760JP	SHEET INSULATION	BI601XC	0

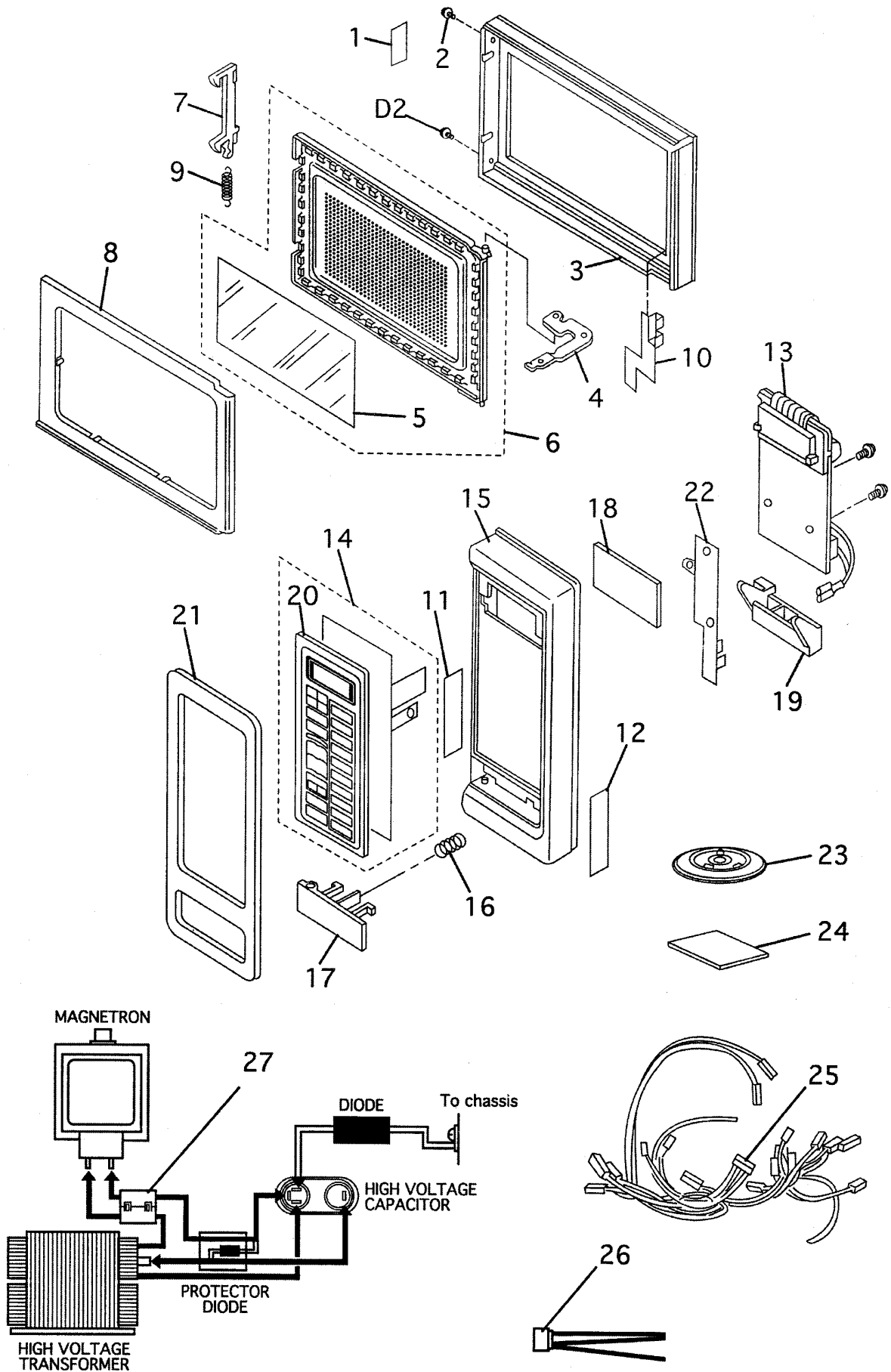
MICROWAVE PANASONIC NN-T687SA



MICROWAVE PANASONIC NN-T687SA

REF	PART	DESCRIPTION	MODEL	SERIES
38	B61884060AP	BRACKET CAPACITOR		
39	E60904080GP	CAPACITOR HIGH VOLTAGE	BI601XC	0
40	B910C4760QP	CABLE MAINS		
41	XTT4+8B	SCREW	BI601XC	0
42	2M210-M1F1	MAGNETRON 1.0/1.2	BI601XC	0
43	B64498660AP	COVER SENSOR A	BI601XC	0
44	B64508660AP	COVER SENSOR B	BI601XC	0
45	B65438660AP	COVER SENSOR C	BI601XC	0
46	A607S7050AP	SENSOR STEAM	BI601XC	0
47	B692Y7680VP	FILTER NOISE	BI601XC	0
48	B606V7641QP	DIODE PROTECTOR	BI601XC	0
49	B03115460QP	N LABEL	BI601XC	0
NI	B08878640HAP	PAINT TOUCH UP WHITE	BI601XC	0
NI	B08878640AP	PAINT TOUCH UP BLACK	BI601XC	0
NI	B0887700AAP	PAINT TOUCH-UP 1.0 T687SA	BI601XC	0
NI	B0887705AAP	PAINT CAVITY SPAN	BI601XC	0
NI	B08877050AP	PAINT CAVITY SPRAY	BI601XC	0
NI	B08877000AP	PAINT TOUCH-UP	BI601XC	0

DOOR ASSEMBLY - NN-T687SA



DOOR ASSEMBLY - NN-T687SA

REF	PART	DESCRIPTION	MODEL	SERIES
1	B01726210JP	LABEL CAUTION	BI601XC	0
2	XTBANE3+8BZ#	SCREW 3X8 DOOR A	BI601XC	0
3	B301A9580SAP	DOOR A STAINLESS	BI601XC	0
4	A30067050AP	HINGE UPPER DP	BI601XC	0
5	B31457050AP	SCREEN DOOR A	BI601XC	0
6	B302K8660AP	DOOR E BLACK	BI601XC	0
7	B30187051AP	DOOR KEY A	BI601XC	0
8	B30858640AP	DOOR C BLACK	BI601XC	0
9	B30214001AP	DOOR KEY SPRING	BI601XC	0
10	A31529570AP	PLATE GROUNDING	BI601XC	0
11	B00079580QP	NAME PLATE	BI601XC	0
12	B00079580JP	PLATE NAME NN-T687SA	BI601XC	0
13	B603L9580QP	CIRCUIT DP W/GR WIRE	BI601XC	0
14	B630Y9580QP	SWITCH MEMBRANE	BI601XC	0
15	A80349570AP	BASE ESCUTCHEON	BI601XC	0
16	B80375950AP	SPRING BUTTON	BI601XC	0
17	A80729570AP	BUTTON OPENING	BI601XC	0
18	B80029580AP	LENS DISPLAY	BI601XC	0
19	B82567630AP	LEVER OPENING	BI601XC	0
20	B83379580QP	SHEET ESCUTCHEON	BI601XC	0
21	A80359570AP	COVER ESCUTCH BASE	BI601XC	0
22	A66629570AP	PLATE GROUNDING	BI601XC	0
23	A06014000AP	TRAY GLASS COOKING	BI601XC	0
24	B00037862QP	BOOK INSTRUCTION	BI601XC	0
25	B030A8280JP	LEAD WIRE HARNESS	BI601XC	0
26	B03537051AP	WIRE NN-6455	BI601XC	0
27	A50966520UP	FERRITE CORE NN-5655/5455	BI601XC	0
NI	A621A7600CP	COIL FILTER NN-S687WA/T687SA	BI601XC	0
NI	A62316010BP	HOLDER FUSE NN-S687WA/T687SA	BI601XC	0
NI	ECKDNS472MEX	CAPACITOR CERAMIC NN-S687WA/T687SA	BI601XC	0
NI	ECQU2A104MN#	CAPACITOR SX-GX7/GX5/TX-29V2Z/V30/TC-W21	BI601XC	0
NI	ERD25FJ564S	RESISTOR NN-6853 DP	BI601XC	0
NI	ERZC10DK112W	VARISTOR	BI601XC	0

NOTES

BUILT IN DOUBLE MAIN DOOR ASSY

Technical Bulletins

447641 RA65

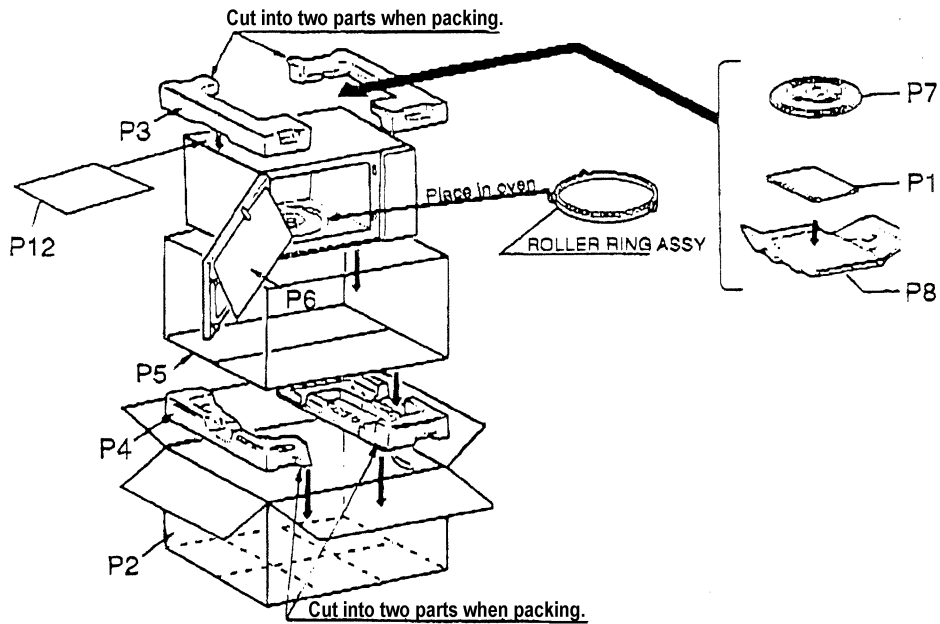
BUILT IN DOUBLE LOWER DOOR ASSEMBLY

Technical Bulletins

447641 RA65

NNT791SS PARTS MANUAL

PACKING AND ACCESSORIES

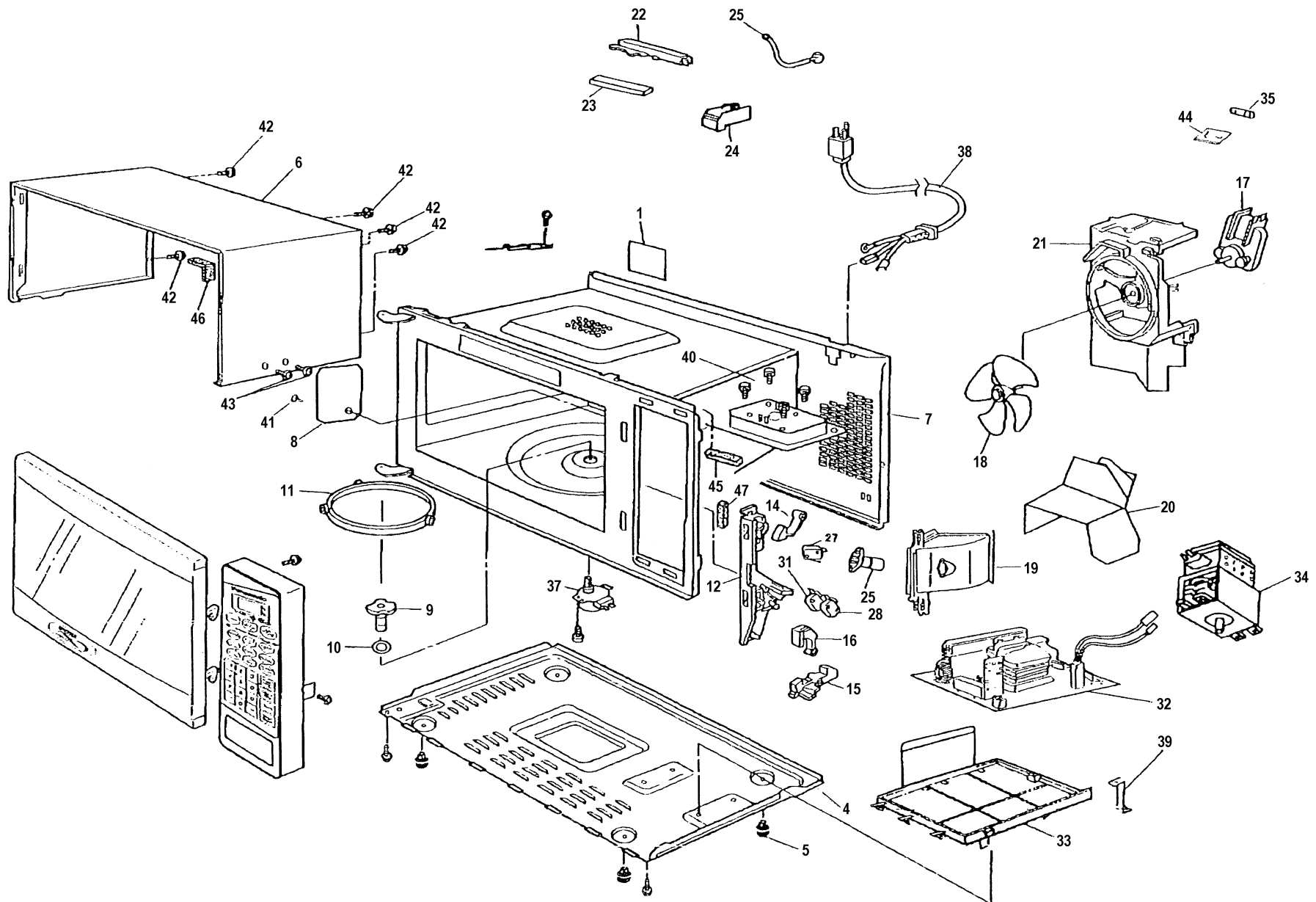


Ref No.	Part number	Part name & description	Pcs / set	Remarks
P1	F00035B00QP	Instruction Manual	1	
P2	F01025B00HQP	Packing case, paper	1	S781WF
P2	F01025B10BQP	Packing case, paper	1	S761BF
P2	F01025B10HQP	Packing case, paper	1	S761WF
P2	F01025B20BQP	Packing case, paper	1	S751BF
P2	F01025B20HQP	Packing case, paper	1	S751WF
P2	F01025B50SQP	Packing case, paper	2	T791SF
P3	F01044W00AP	Upper filler	1	
P4	F01054W00AP	Lower filler	1	
P5	F01054W00AP	P.E. Bag	1	
P6	F01074W00AP	Door sheet	1	
P7	A06014A00AP	Cooking tray	1	
P8	F01084W00AP	Tray packing	1	
P12	A01924T00AP	Sheet	1	S761BF, S751BF, T791SF

INVERTER BOARD PARTS LIST

Ref No	Part No.	Description	Pcs/ set	Remarks
C701	ECWF5104N300	Capacitor	1	0.1uF.500VDC
C702	ECQE2405TB47	Polyester capacitor	1	4uF.250 VDC
C703	ECWFS454N300	Film capacitor	1	0.45uF.500VDC
C704, C705	ECWH30822JUA	Film capacitor	1	8200PF.3KVDC
CN701	AEEMXH00703WG	Connector	1	
CT701	A66904T00AP	Transformer	1	
D701, D702 ***	A6202-N410T	Diode SI	2	0.3A
D703	AEDNERA3806	Diode SI	1	0.5A
D704, D705	AEDNERA1506	Diode SI	1	1A
D705	MA196-(TA5)	Diode SI	1	MA196.D.1A
DB701	AESTRB V6206	Diode SI	1	15A, 600V
	XTW3+12B	Screw	2	3*12 (FOR O701)
H.S.	A66914T00AP	Heat sink	1	
IC702, IC703	AEICP25011HL	IC	2	PS2501-1, HL4P
IC801	AN9DB07SB	IC	1	
L701	A50204T00AP	COIL	1	
Q701	A691E4V00GPS	Transistor SI	1	AESCGT60M303
Q702	A691E4V00GPS	Transistor SI	1	AESPGT30J322
	XTN3+12B	Screw	1	3*12 (FOR Q702)
Q703, Q704	2SC3311AQSTA	Transistor SI	2	2SC3911AQRS
Q705	2SA1309AQSTA	Transistor SI	1	2SA1309AQRS
R715	AERGS215J452	Resistor	1	4.5k ohm. 15 W
VR701	AEVT26TLT102	Variable resistor	1	1 k ohm, 308
ZD701, ZD703, ZD704, ZD705	AEDZ10ES2T1	Zenner diode SI	4	RD10ES2T1
ZD702	AESZ12JS2T1	Zenner diode SI	1	RD12JS2
T701	A609A4V003P	Transformer	1	

EXPLODED VIEW & PARTS LIST



PARTS LIST

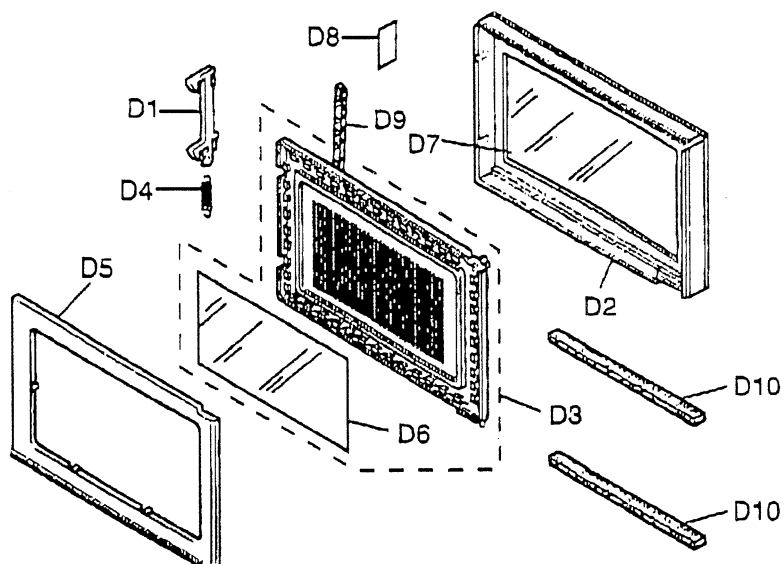
NOTE 1: When ordering replacement part(s), please use part number(s) shown in this parts list. Do not use description of the part.

NOTE 2: **Important safety notice:** Components identified by *** have special characteristics important for safety. When replacing any of these components, please use only manufacturers specified parts.

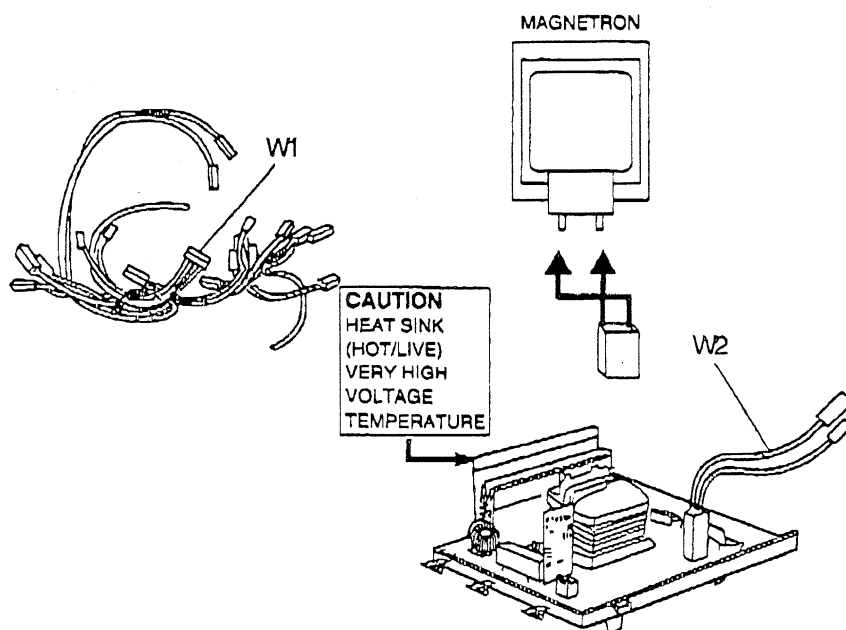
NOTE: "A" parts are supplied by MOD (Japan).
"F" parts are supplied by SIMMC (China).

Ref No.	Part No.	Description	Pcs / set	Remarks
1	F00068100HN	Caution label	1	
4	F10014W00AP	Base	1	
5	F10084T00AP	Rubber foot	4	
6	F110D4W00BQP	Cabinet body (U)	1	S761BF, S751BF, T791SF
6	F110D4W00HQP	Cabinet body (U)	1	S781WF, S761WF, S751WF
7 ***	F200A4W00AP	Oven (U)	1	S781WF, S761BF/WF, T791SF
7 ***	F200A4W30AP	Oven (U)	1	S751BF/WF
8	F20554W00AP	Cover	1	
9	F21314W00AP	Pulley shaft	1	
10	F2177-F80	Washer	1	
11	F290D9330AP	Roller ring (U)	1	
12 ***	F3020-1200	Door hook	1	
14	F3136-1200	Hook lever A	1	
15	F31374650AP	Hook lever B	1	
16	F31384650AP	Hook lever C	1	
17	F400A4T10QP	Fan motor	1	AC240V, single phase, 50 Hz
18	F40084T00AP	Fan blade	1	
19	F40254W00AP	Air guide A	1	
20	F40264W00AP	Air guide B	1	
21	F41444W00AP	Orifice	1	
22	F84505540AP	Sensor cover B	1	S781WF, S761BF/WF, T791SF
23	F65435540AP	Sensor cover C	1	S781WF, S761BF/WF, T791SF
24	F65434W00AP	Sensor cover C	1	S781WF, S761BF/WF, T791SF
25	A607S4M00AP	Steam sensor	1	S781WF, S761BF/WF, T791SF
26	F612E4J50XN	Incandescent Lamp (U)	1	AC240V, 25W, 50 Hz
27 ***	J61424T00AP	Micro switch	1	(v-15G-3C25-L)
28 ***	J61414T00AP	Micro switch	1	(D3V-16G-3C25)
31 ***	J61784T00AP	Micro switch	1	(Short switch) (D3V-1G-2C25)
32 ***	A606Y4V00GP	H.V. Inverter (U)	1	
33	F65854W00AP	Inverter bracket A	1	
34 ***	2M261-M32G	Magnetron	1	
35 ***	A62304210BP	Fuse	1	10A / 240V, 50 Hz
37	F63264750JP	Turntable motor	1	
38 ***	F900C4W00QP	AC cord w/plug	1	
39	F66624W00AP	Grounding plate	1	
40	XTWFNE4+12T	Screw	4	For magnetron
41	F90804W00AP	Canoe clip	1	For cover
42	XTWAFE4+12D	Screw	5	For cabinet body
43	XTT4+8BFZ	Screw	2	For cabinet body side S761BF, S751BF, T791SF)
43	XTT4+8BCR	Screw	2	For cabinet body side S781WF, S761WF, S751WF
44	J692Y4T00QP	Noise filter	1	
45	F0922000EK	Cushion rubber	1	
46	F0922000BJ	Cushion rubber	1	
47	F0902000AA	Cushion rubber	1	

DOOR ASSEMBLY



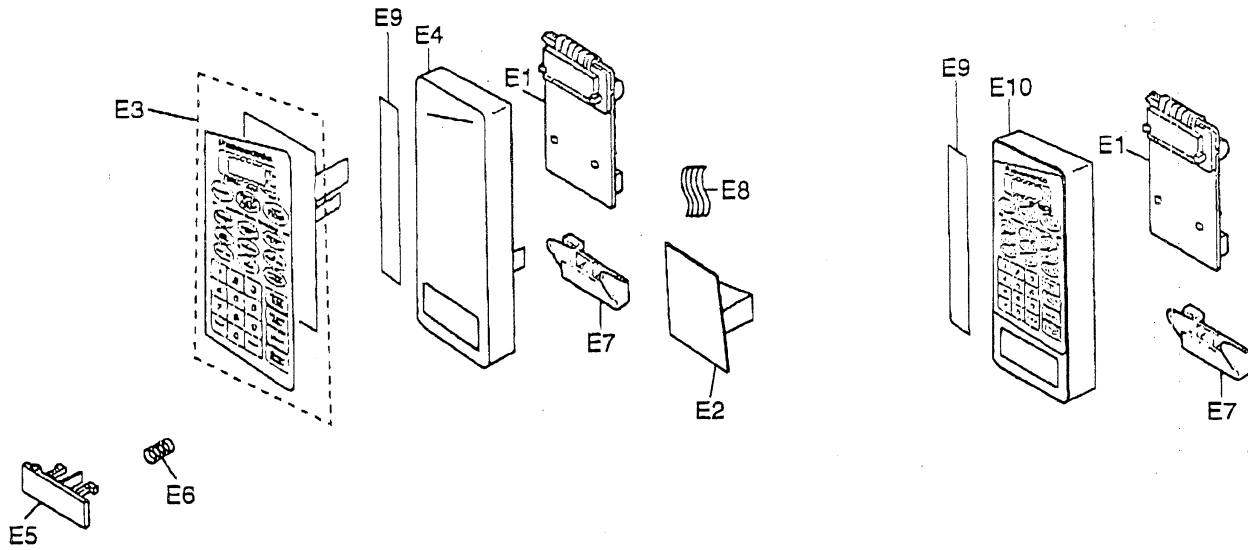
Ref No.	Part Number	Description	Pcs / set	Remarks
D1	F3018-1200	Door Key A	1	
D2	F30014W00BAP	Door A	1	S761BF, S751BF
D2	F30014W00HAP	Door A	1	S781WF, S761WF, S751WF
D2	B301A4W70CP	Door A (U) unit	1	T791SF
D3	F302K4W00AP	Door E (U)	1	
D4	F30214000AP	Door key spring	1	
D5	F30854W00AP	Door C	1	
D6	F31454W00AP	Door screen A	1	
D7	F31464W00BAP	Door screen B	1	S761BF, S751BF
D7	F31465B00HQP	Door screen B	1	S781WF, S761WF, S751WF
D8	F01729660JP	Caution label	1	
D9	F0902000AP	Cushion rubber	1	
D10	F0902000AP	Cushion rubber	1	



WIRING MATERIALS

Ref No.	Part Number	Description	Pcs / set	Remarks
W1	F030A4W00OP	Lead wire harness	1	
W2	F030E4W00CP	H. V. Lead Wire	1	

ESCUTCHEON BASE ASSEMBLY



Ref No.	Part Number	Description	Pcs / set	Remarks
E1	F603L5B00QP	D.P. Circuit	1	RTL(W/component) S781WF
E1	F603L5B10QP	D.P. Circuit	1	RTL(W/component) S761BF/WF
E1	F603L5B20QP	D.P. Circuit	1	RTL(W/component) S751BF/WF
E1	F603L5B50QP	D.P. Circuit	1	RTL(W/component) T791SF
E2	F603Y4W00QP	D.P. Circuit	1	RTL(W/component) S781WF, S761BF/WF
E2	F603Y4W10QP	D.P. Circuit	1	RTL(W/component) S751BF/WF
E3	F630Y5B00HQP	Membrane Switch (U)	1	S781WF
E3	F630Y5B10BQP	Membrane Switch (U)	1	S761BF
E3	F630Y5B10HQP	Membrane Switch (U)	1	S761WF
E3	F630Y5B20BQP	Membrane Switch (U)	1	S751BF
E3	F630Y5B20HQP	Membrane Switch (U)	1	S751WF
E4	F80344W00BAP	Escutcheon base	1	S761BF, S751BF
E4	F80344W00HAP	Escutcheon base	1	S781WF, S761 WF, S751 WF
E5	F80724W00BAP	Door opening button	1	S761BF, S751BF
E5	F80724W00HAP	Door opening button	1	S781WF, S761 WF, S751 WF
E6	F80375950AP	Cook button spring	1	S781WF, S761BF/WF, S751BF/WF
E7	F82564W00AP	Door opening lever	1	
E8	F66164W20AP	Flat cable	1	S781WF, S761BF/WF, S751BF/WF
E9	F00075B00HQP	Name plate	1	S781WF
E9	F00075B10BQP	Name plate	1	S761BF
E9	F00075B20BQP	Name plate	1	S751BF
E9	F00075B20HQP	Name plate	1	S751WF
E9	F00075B50SQP	Name plate	1	T791SF
E10	B890L5B50SQP	Control panel (AU)	1	T791SF

Free Manuals Download Website

<http://myh66.com>

<http://usermanuals.us>

<http://www.somanuals.com>

<http://www.4manuals.cc>

<http://www.manual-lib.com>

<http://www.404manual.com>

<http://www.luxmanual.com>

<http://aubethermostatmanual.com>

Golf course search by state

<http://golfingnear.com>

Email search by domain

<http://emailbydomain.com>

Auto manuals search

<http://auto.somanuals.com>

TV manuals search

<http://tv.somanuals.com>