

**IMPORTANT!**  
PLEASE MAKE THIS INFORMATION AVAILABLE TO YOUR JOINER AS IT  
COULD REDUCE YOUR INSTALLATION COST.

# Fisher & Paykel

## INSTALLATION INFORMATION

### Built-In Ovens

**BI601 Series - Built-In Oven**  
**BI601D Series - Built-In Double Oven**  
**BI601XC2 Series - Built-In Oven/Microwave Combination**  
**BI451 Series - Built-In Compact Oven**

**CAUTION:** In order to avoid a hazard these appliances must be installed according to these Installation Instructions.

Please follow installation information carefully.  
If in doubt consult your local building authority by-laws.

#### **BEFORE YOU START**

- DO** Ensure a suitable disconnection switch is incorporated in the permanent wiring, mounted and positioned to comply with the local wiring Rules and Regulations.
- DO** Ensure that the location of the Oven connection socket is outside the installation space if the appliance is flush to the rear wall.
- DO** Ensure the benchtop and the Oven cavity are square and level.
- DO** Ensure the electrician allows as least 1.5m free length of connection cable within the cavity for ease of installation and service of the Oven.
- DO** Use easy to clean finishes for the wall surfaces surrounding the Oven and Cooktop to aid removal of any cooking fume staining resulting from use of the Oven and Cooktop.
- DO** Ensure that the interconnection cord between the Cooktop and the Oven is not accessible via cupboard doors after installation. This applies to any extension cords as well, even though they are double insulated.
- DO** Consult local building authorities and by-laws if in doubt regarding installation.
- DO** Check the height from the floor suits the user.
- DO** Ensure the cavity is a completely sealed box with no gaps. This will ensure the cooling air flows under the product to give the correct venting and cooling for the oven and cabinet surround.

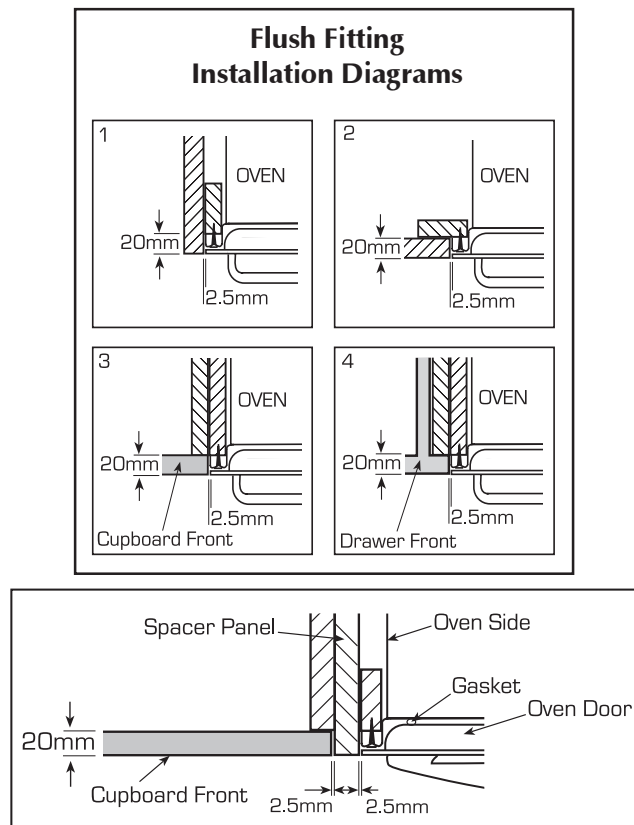
Page 1

## BUILT-IN OVEN INSTALLATION INSTRUCTIONS

1. Check that the kitchen cavity is square and within the limits in the INSTALLATION DIMENSIONS.
2. Lift oven and slide into place. Secure Oven in cavity using 4 'wood screws' and washers supplied through enamelled frame at either side of oven as shown in Flush Fitting Installation Diagram.
3. Check that the Oven is firmly secured in the kitchen unit.
4. When installing the oven it is essential to centre the product in the cavity giving a spacing of 2.5mm from the door edge to the joinery.

**NOTE:** If installing a Cooktop above the Oven ensure adequate clearance is provided for the Cooktop as per the Cooktop Manufacturer's Instructions.

If installing a BI601 Single Built-In Oven with Wall Trim Kit, ensure you use instructions that accompany that kit, Part No. 447915.

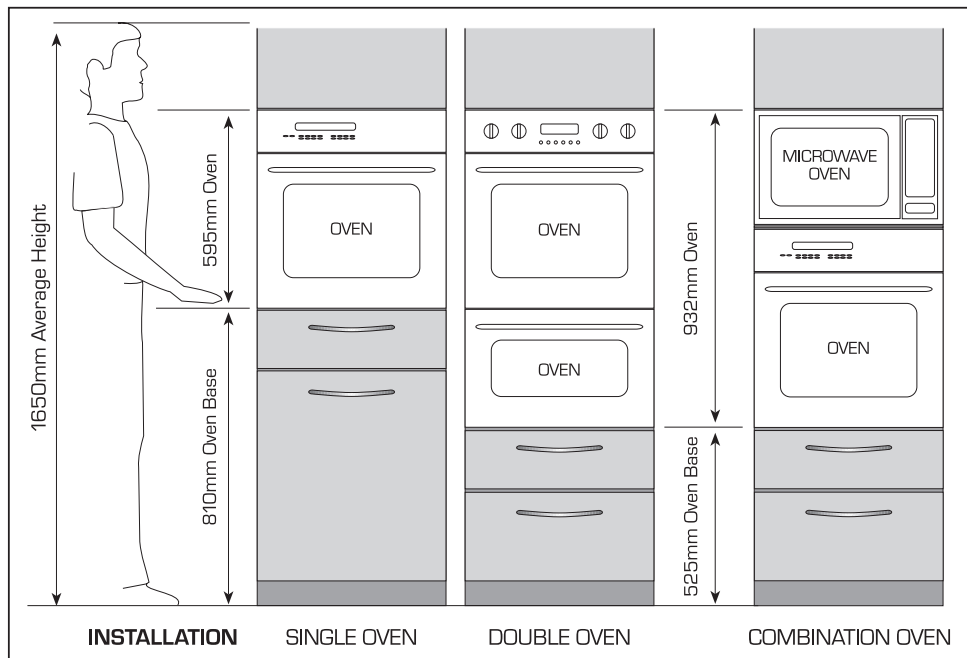


**Cabinetry adjacent to ovens must have a minimum temperature rating of 90°C as stated in AS/NZS 3350.2.6**

## Height Recommendation Guide

Figures are based on an average height of 1650mm (5'5") wearing shoes.

The height of the product may vary  $\pm 50$ mm according to the height of the most frequent user.

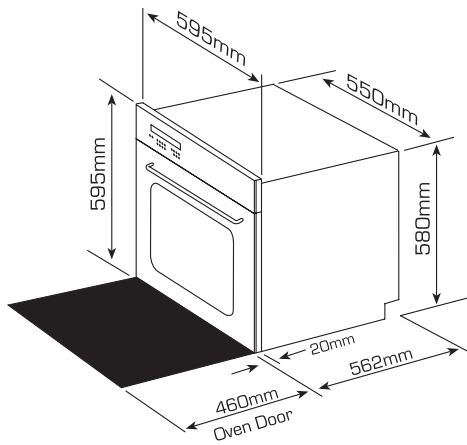


## BI601 Series - Built-In Oven

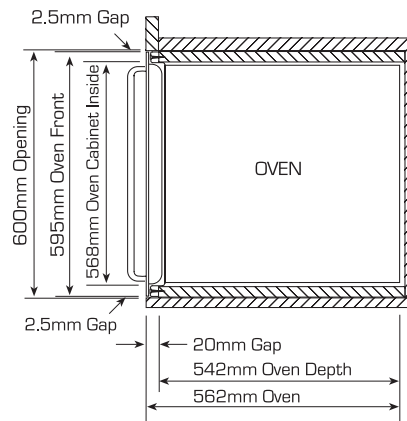
	Overall Width	Overall Height	Depth
Oven Dimensions	595mm	595mm	562mm
Cabinet Dimensions	568mm	585mm	550mm

**Please Note:** Oven front dimensions differ from cabinet dimensions.

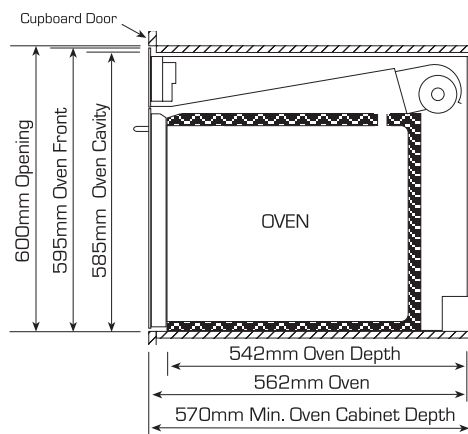
**Product Dimensions**



**Top View**



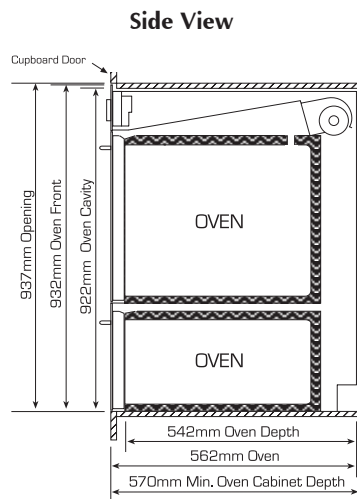
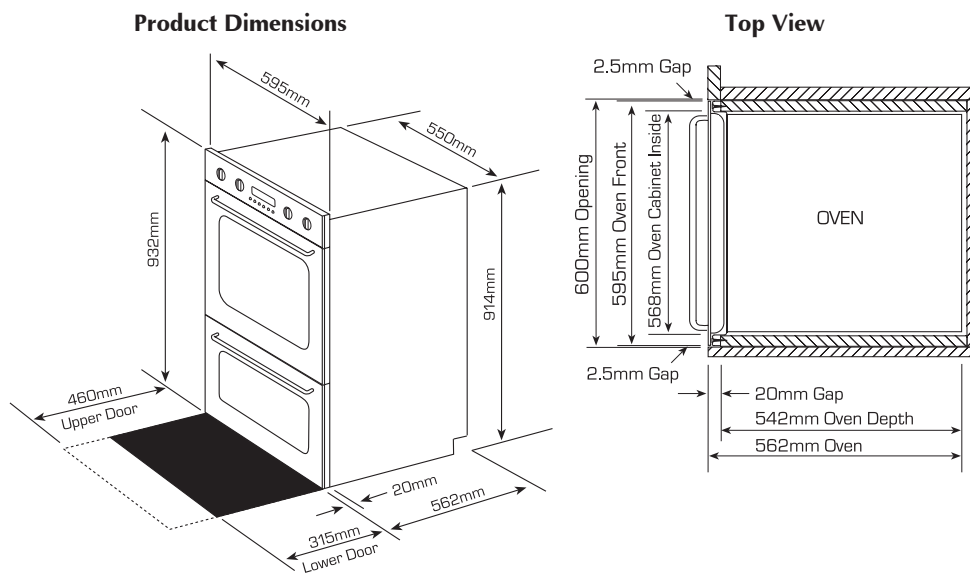
**Side View**



## BI601D Series - Built-In Double Oven

	Overall Width	Overall Height	Depth
Oven Dimensions	595mm	932mm	562mm
Cabinet Dimensions	568mm	922mm	550mm

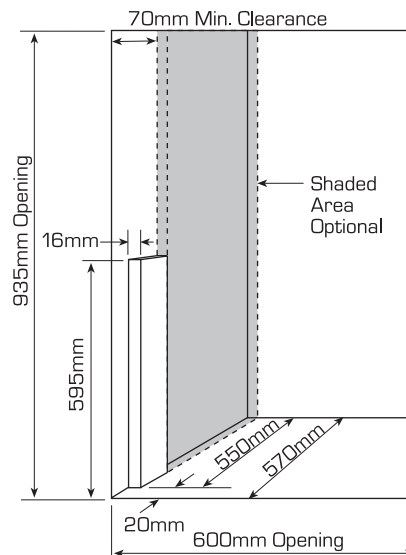
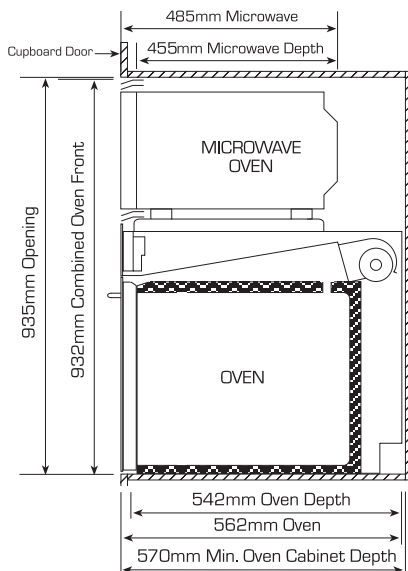
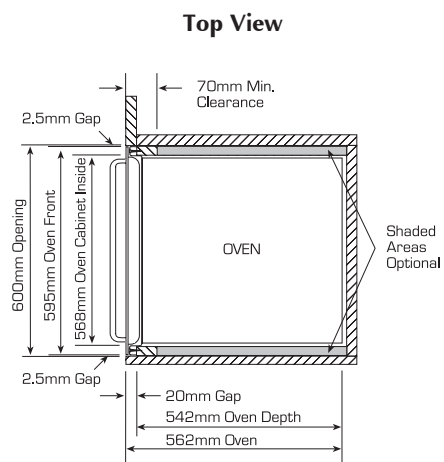
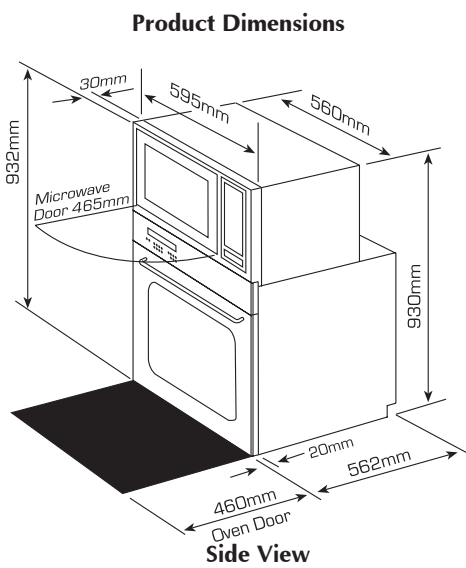
**Please Note:** Oven front dimensions differ from cabinet dimensions.



## BI601XC2 Series - Built-In Oven/Microwave Combination

	Overall Width	Overall Height	Depth
Oven Dimensions	595mm	932mm	562mm
Cabinet Dimensions	568mm	935mm	550mm

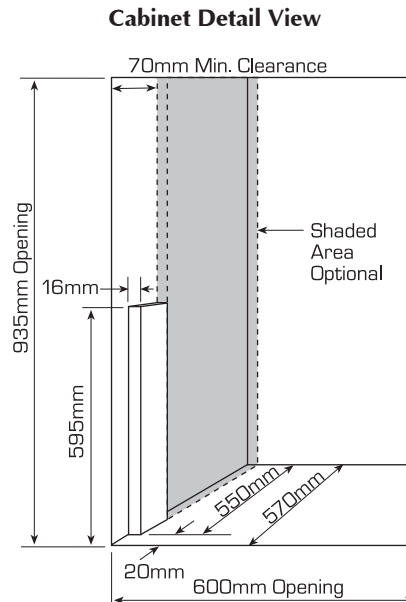
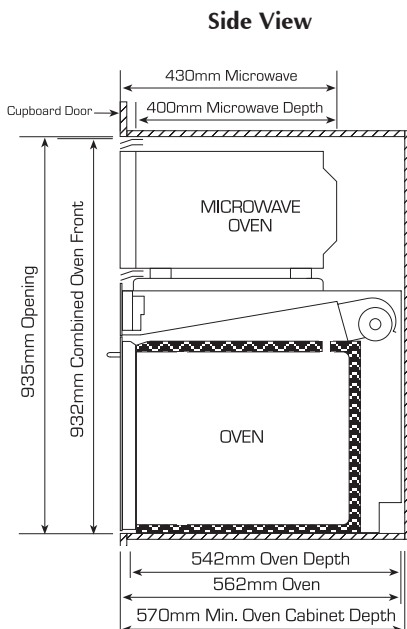
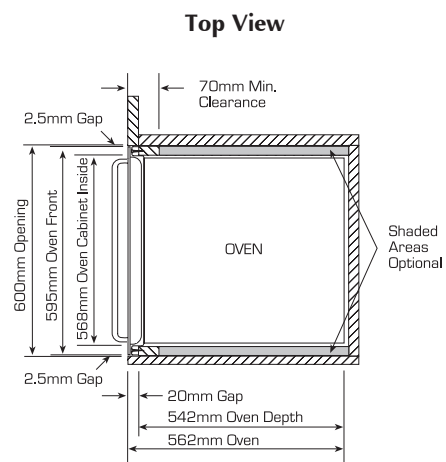
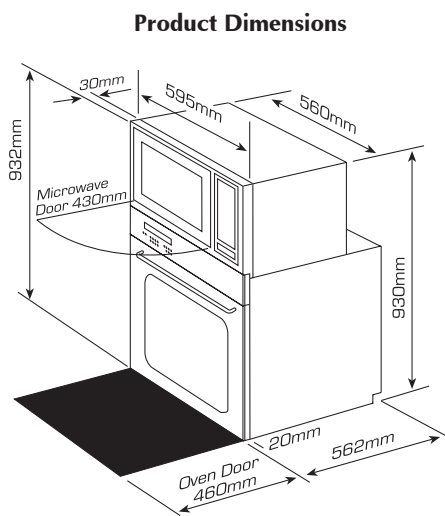
**Please Note:** Oven front dimensions differ from cabinet dimensions.



## BI601XC Series - Built-In Oven/Microwave Combination

	Overall Width	Overall Height	Depth
<b>Oven Dimensions</b>	595mm	932mm	562mm
<b>Cabinet Dimensions</b>	568mm	935mm	550mm

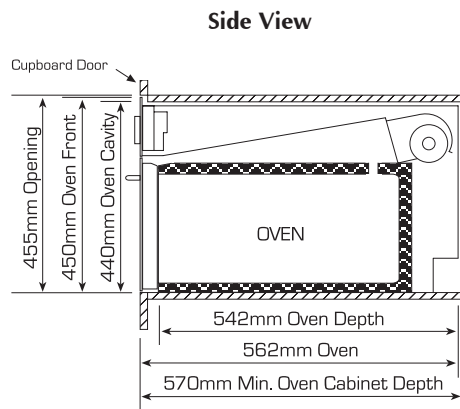
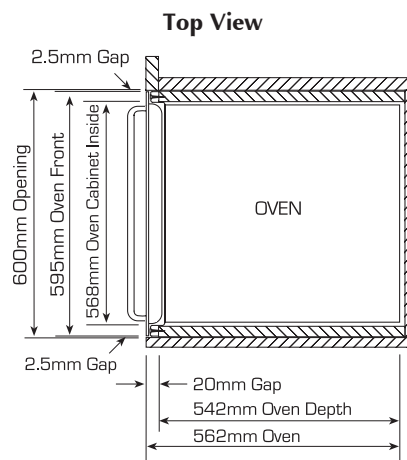
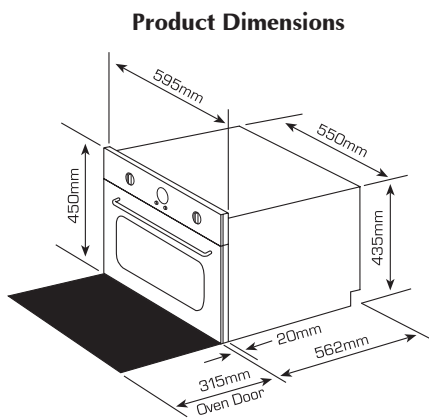
**Please Note:** Oven front dimensions differ from cabinet dimensions.



## BI451 Series - Built-In Compact Oven

	Overall Width	Overall Height	Depth
Oven Dimensions	595mm	450mm	562mm
Cabinet Dimensions	568mm	440mm	550mm

**Please Note:** Oven front dimensions differ from cabinet dimensions.





Part No. 540784C August 2001

# INSTALLATION INSTRUCTIONS FOR CT560X, CT560C, CT5602F, CT2802, CT6552S, & BICT600 SERIES COOKTOPS

**IMPORTANT!**  
PLEASE MAKE THIS INFORMATION AVAILABLE TO YOUR JOINER AS IT  
COULD REDUCE YOUR INSTALLATION COST.

**CAUTION:** In order to avoid a hazard these appliances must be installed according to these Installation Instructions.

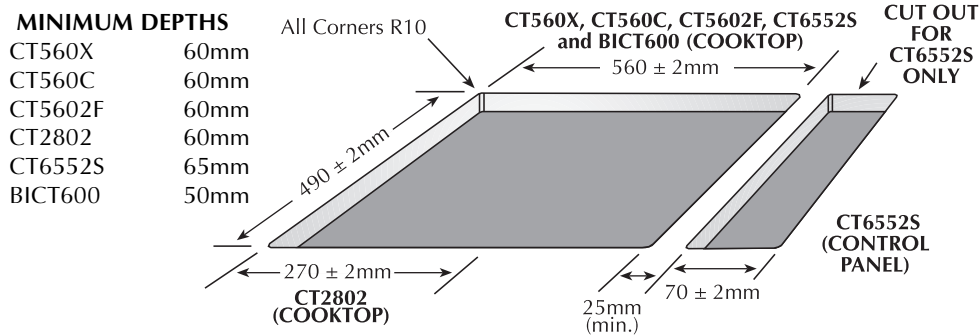
## BEFORE YOU START

- DO** Ensure a suitable disconnection switch is incorporated in the permanent wiring, mounted and positioned to comply with the Local Wiring Rules and Regulations.
- DO** Ensure the bench is square and level.
- DO** Use easy to clean finishes for the wall surfaces surrounding the Cooktop to aid removal of any cooking fume staining resulting from use of the Cooktop.
- DO** Consult local building authorities and by-laws if in doubt regarding installation.
- DO** Ensure that the interconnection cord between the Cooktop and the Oven or control Box is not accessible via cupboard doors after installation. This applies to any extension cord as well, even though they are double insulated.

### Note:

- Ensure that there is a minimum of 60mm between the cutout and the rear or side wall.
- If the cutout is less than 100mm from the wall, some form of protection against heat should be used, such as ceramic tiles.
- If prolonged use is anticipated, or the cooktop is mounted above a drawer space, a barrier between is recommended.
- The CT560X should not be installed directly above a dishwasher as the humidity may damage the electronics.

## Cooktop Cutout Dimensions



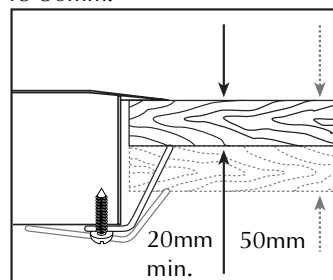
### COOKTOP DIMENSIONS

TYPE	LENGTH	WIDTH	DEPTH
CT560X	578mm	511mm	51mm
CT560C	578mm	511mm	51mm
CT5602F	578mm	511mm	51mm
CT2802	289mm	511mm	55mm
CT6552S (Cooktop)	578mm	511mm	45mm
(Controls)	88mm	511mm	63mm
BICT600	578mm	511mm	45mm

### CLAMPING DOWN COOKTOP

Place the cooktop into the cutout and tighten with the supplied clamps.

These will cope with bench thickness 15-50mm.



### CT6552S Control Box Installation

- Remove the brackets from the cooktop and the box.
- Place the cooktop in the cutout.
- Feed the cooktop wiring harness up through the box cutout.
- Remove Control Box cover.
- Connect the cooktop wiring harness.
- Clamp the wiring harness.
- Wire the mains to the box and clamp.
- Replace Control box cover.
- Roll the box into the cutout.
- Secure control box and cooktop using brackets provided.

**Note:** Two small brackets are provided that screw to the sides of the control box. These must be used to clamp the control box down to the joinery. Three brackets are provided for clamping down the cooktop.

Part No. 599049B September 2000

## Free Manuals Download Website

<http://myh66.com>

<http://usermanuals.us>

<http://www.somanuals.com>

<http://www.4manuals.cc>

<http://www.manual-lib.com>

<http://www.404manual.com>

<http://www.luxmanual.com>

<http://aubethermostatmanual.com>

Golf course search by state

<http://golfingnear.com>

Email search by domain

<http://emailbydomain.com>

Auto manuals search

<http://auto.somanuals.com>

TV manuals search

<http://tv.somanuals.com>