

QUICK START GUIDE

Built-in oven
NZ AU GB IE

Fisher & Paykel

Keep this document handy for easy reference.

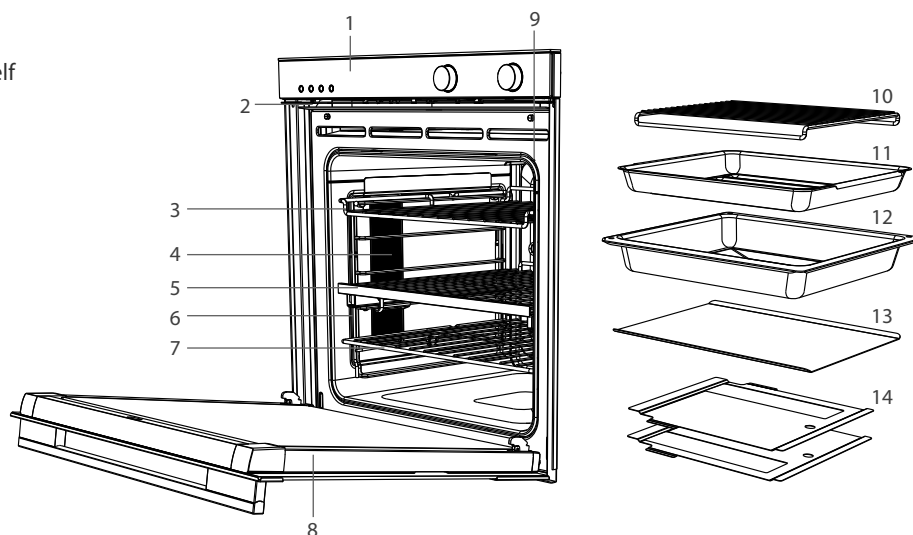
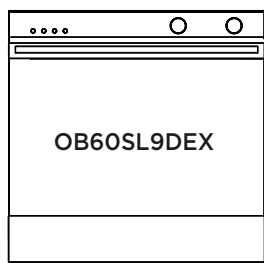
- For detailed information on the other features of your oven, see your 'User guide'.
- Before using your oven, make sure you read the full 'User guide', with special attention to the 'Safety and warnings' section.
- For contact information or if you require service, assistance or replacement parts, see the end of this document or your 'Service & warranty' booklet.

YOUR OVEN

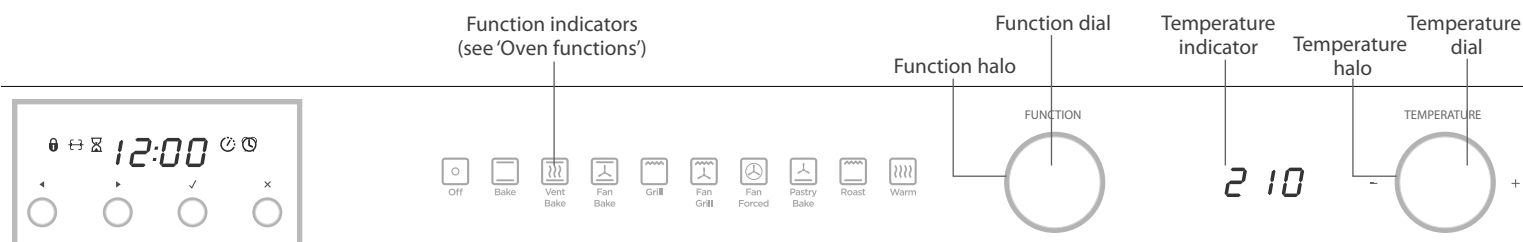
- Control panel
- Oven vent louvres
- Step down oven wire shelf
- Oven light
- Telescopic sliding shelf
- Side rack
- Oven wire shelf
- Oven door and handle
- Oven seal

Accessories:

- Grill rack
- Smokeless grill tray
- Deep Roasting dish
- Flat baking tray
- Catalytic panels



THE CONTROL PANEL



Rotisserie indicator (see 'Using the Rotisserie' in the User guide)

if lit: Rotisserie is in use

Timer indicator (see 'Using the timer')

if lit: Timer is counting down

Cooking time indicator (see 'Automatic cooking' in User guide)

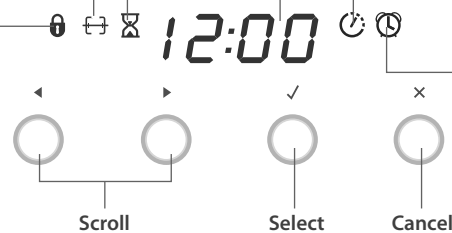
if lit: Automatic cooking time is set

Control lock indicator (see 'Locking the control panel')

if lit: Control panel is locked

Locking the control panel

- To lock, press and hold the select ✓ button for 2 seconds.
- To unlock, press and hold the cancel ✕ button for 2 seconds.

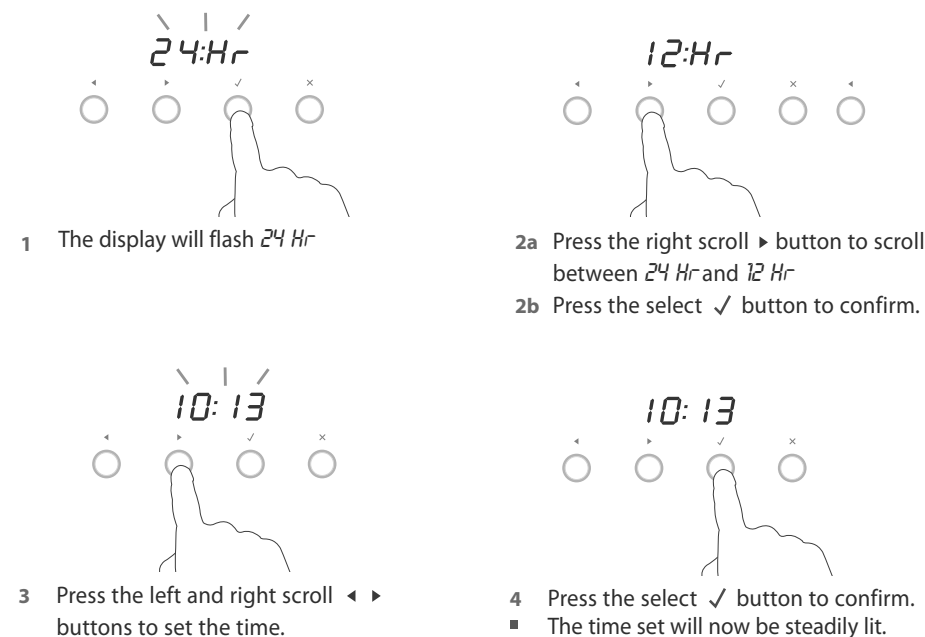


Stop time indicator (see 'Automatic cooking' in User guide)
if lit: Automatic stop time is set

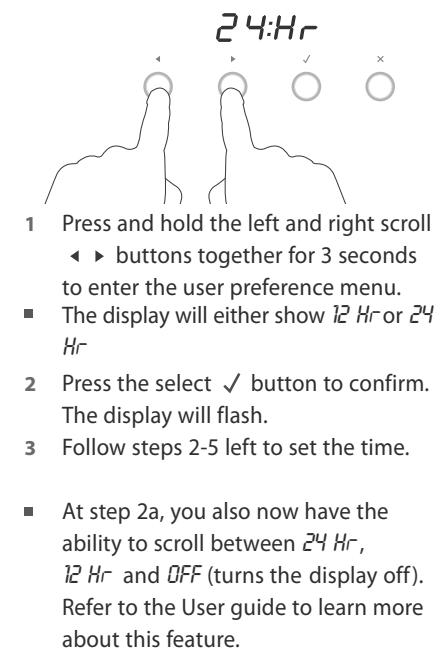
SETTING THE CLOCK

You set the clock within the user preference menu. To learn more about the user preference menu, refer to your User guide.
Note: If you do not wish to set the time initially when the oven is first switched on at the wall, press the cancel ✕ button to exit the clock setting. If you want to set the clock later, follow the steps under 'To change the time'.

When the oven is first switched on at the wall



To change the time (within the user preference menu)



FIRST USE

Important!

Before using your oven for the first time, you should fit both the Catalytic Panels (supplied). See 'Care and cleaning' in your user guide for details about these self cleaning panels.

You do this by:

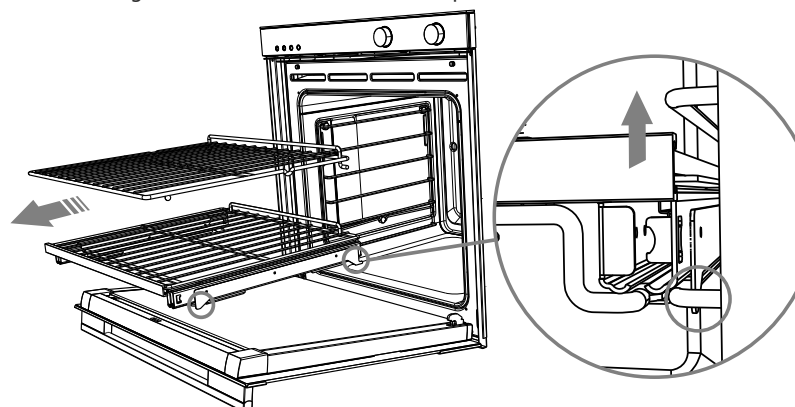
- removing ALL the cable ties holding the shelving in place, if the installer has not already done so.
- removing the shelves and side racks
- fitting the catalytic panels
- replacing the side racks and shelves

We recommend you then condition the oven.

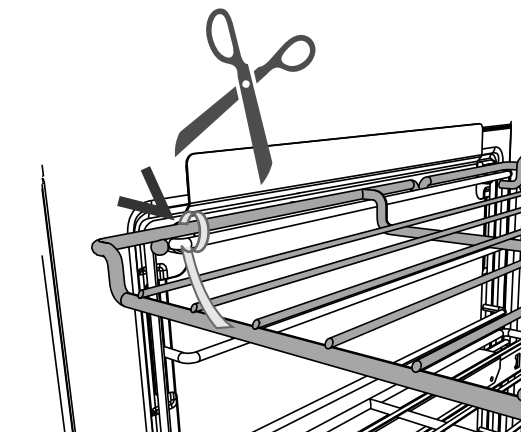
Follow the steps below to fit the Catalytic Panels.

2 REMOVE ALL SHELVES FROM THE OVEN

- Remove all the shelving, taking special care with the telescopic sliding shelves.
- To remove a telescopic sliding shelf, grip it at the front (making sure you are gripping the wire shelf and the sliding frame together), lift upwards and pull it out of the oven. For your safety, the wire shelf and telescopic sliding frame are built together as one unit and are not separable.



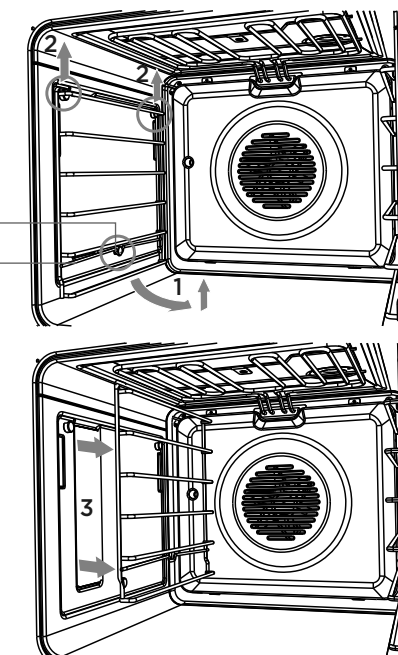
1 REMOVE ALL CABLE TIES & PACKAGING HOLDING THE SHELVING IN PLACE



3 REMOVE BOTH SIDE RACKS

Remove both side racks by 1) pushing down on the retaining wire until it clears the lower lock stud and swing out wards to 2) clear the upper lock studs, then 3) lift out.

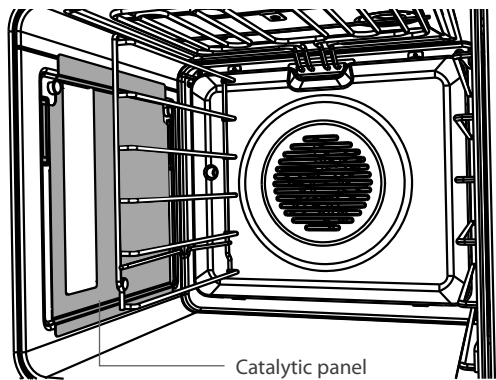
lock stud
retaining wire



FIRST USE

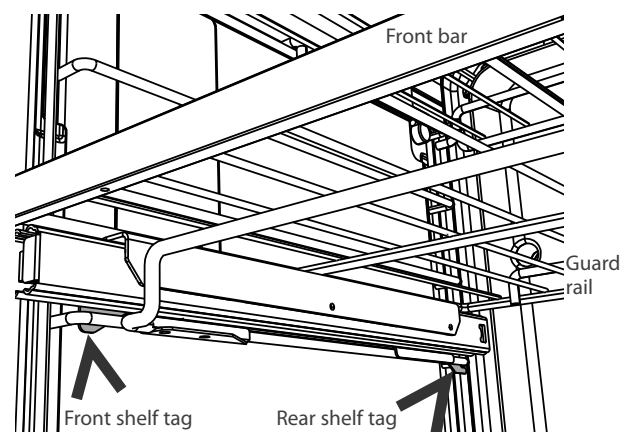
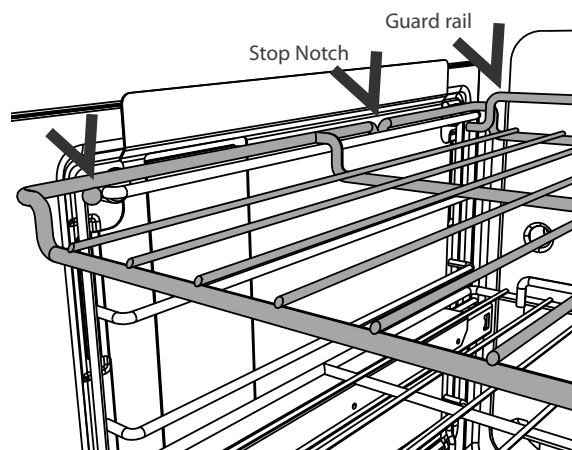
4 FIT BOTH CATALYTIC PANELS

- Place each catalytic panel flush against the side wall, noting the position of the cutouts for the lamp and lock nuts



6 REPLACE SHELIVING

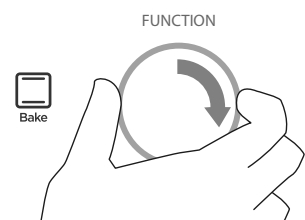
- To replace a wire shelf, check the guard rail (as shown) to make sure the shelf is the right way up. slide it horizontally back along the side racks ensuring it is level and the stop notch is facing down.
- To replace a telescopic sliding shelf, position it so that the front bar is toward you, as shown.
- Check that the sliding frame is not extended.
- Check the guard rail (as shown) to make sure the shelf is the right way up.
- Position the shelf so that it is level and the rear shelf tag at the back of the sliding frame rests behind the side rack wire (as shown).
- Then push the sliding shelf all the way to the back of the oven, until the front shelf tag drops into place behind the side rack wire.
- For your safety, the wire shelves and telescopic sliding frames are built together as one unit and are not separable. This means that when placed properly on the side racks, the slides will prevent the wire shelves from tilting when pulled towards you.
- To prevent the tags from lifting off the side racks, take care to slide the shelves forward horizontally.



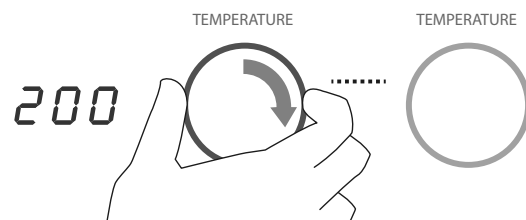
7 CONDITION THE OVEN

It is important to condition your oven before using it for cooking and baking. Conditioning will burn off any manufacturing residues and ensure that you get the best results right from the start.

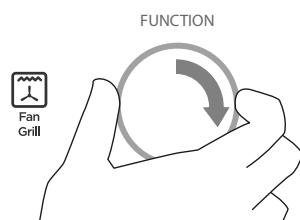
- Make sure you have removed ALL the cable ties used to secure the shelving during transit.
- Make sure you have set the clock.
- Make sure all the shelves are fitted.



- Select the **Bake** function.
 - The halo will glow white.
 - Each function has a preset temperature and so the oven will start heating at the **Bake** preset temperature of 180 °C.



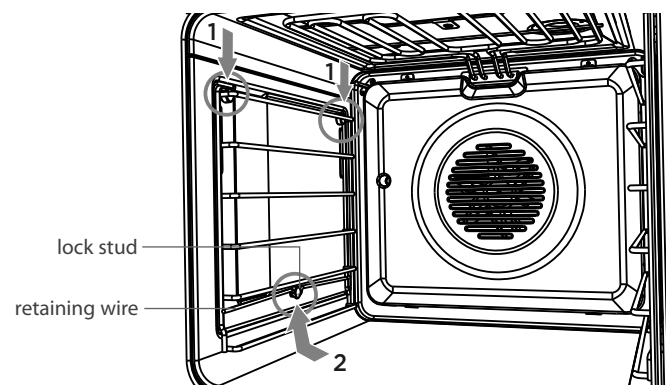
- Set the temperature to 200 °C for 30 minutes.
 - While the oven is heating up, the temperature halo will glow red and the temperature indicator will alternately show the actual and set temperatures.
 - When the oven has reached set temperature, a tone will sound and the halo will turn white.



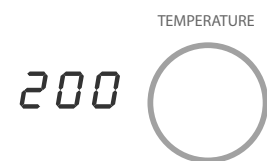
- After 30 minutes is up, select the **Fan Grill** function.

5 REPLACE BOTH SIDE RACKS

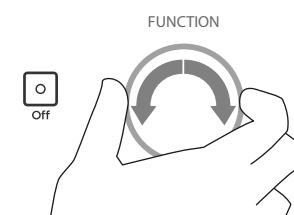
- To replace the side racks, locate the top of the side rack into the two upper lock studs and gently push the retaining wire back under the lower lock stud.



7 CONDITION THE OVEN



- Leave the temperature at 200 °C for 5 minutes.
 - The halo will remain white.



- When you have finished, turn the function dial to **Off**. The halos will go out.

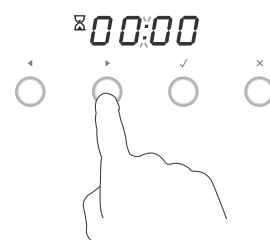
- There will be a distinctive smell and a small amount of smoke during the conditioning process as manufacturing residue is burnt off. This is normal, but make sure the kitchen is well ventilated during the conditioning.
- Once cooled, wipe out the oven with a damp cloth and mild detergent, and dry thoroughly.

USING THE TIMER

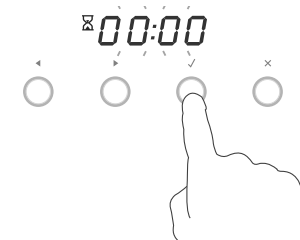
- You can use the timer at any time, even if you are not using the oven.
- If the time is more than an hour, the display will count down in minutes (hr:min). If it is less than an hour, it will count down in seconds (min:sec).
- You can set the timer for up to 23 hours 59 minutes.

Important!

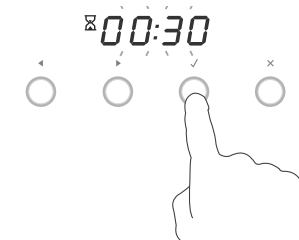
The timer does NOT turn the oven off.



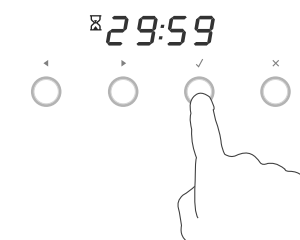
- Select the timer by pressing the right scroll button once.
 - The timer indicator will appear and the colon will flash.



- Press the select button to confirm.
 - The display will flash to indicate the timer is ready to be set.



- Set the time by pressing the scroll buttons.
 - Holding the buttons down will speed up the scrolling.



- Press the select button to confirm.
 - The timer will then begin to count down.
 - If you want to check the time of day, press the cancel button once. Press the right scroll button to scroll back to the timer.

To modify the timer setting

- Make sure the display shows the remaining time counting down.
- Press the select button.
- Press the scroll buttons to set a new time.
- Press the select button to confirm.

To cancel the timer setting

- Make sure the display shows the remaining time counting down.
- Press the cancel button until the display shows the time of day and the timer indicator disappears.

When the set time is up

- The display will show and a tone will sound every 15 seconds.
- Press any button to stop the tone sounding. The display will revert to showing the time of day.

FOR MORE INFO

For detailed information on the other features of your oven

➤ see your 'User guide'

For warranty information

➤ see your 'Service and warranty' booklet

If you...

- have any questions or comments
- need a Fisher & Paykel authorized technician to service your product
- need replacement parts or accessories
- want to register your product

see your 'Service and warranty' booklet or contact us

➤ **NZ** toll-free, 24/7 **0800 372 273**
AU toll-free, 24/7 **1300 650 590**
GB toll-free, 24/7 **0845 066 2200**
IE toll-free, 24/7 **1800 625 174**

www.fisherpaykel.com

Free Manuals Download Website

<http://myh66.com>

<http://usermanuals.us>

<http://www.somanuals.com>

<http://www.4manuals.cc>

<http://www.manual-lib.com>

<http://www.404manual.com>

<http://www.luxmanual.com>

<http://aubethermostatmanual.com>

Golf course search by state

<http://golfingnear.com>

Email search by domain

<http://emailbydomain.com>

Auto manuals search

<http://auto.somanuals.com>

TV manuals search

<http://tv.somanuals.com>