

# Electronic 635 Quantum Refrigerator / Freezer

## Models

E402BL E402BR  
E411TL E411TR  
E415HL E415HR

Series  
B



517725



## PRODUCTS

**Brand** Fisher & Paykel

**Voltage** 220-240V 50Hz, 110-115V 60Hz+

**Model**            **Code**

E402BL            11162 11675

E402BR            11161 11674 11698 11710 12374+ 11838 11839

E411TL            11160 11673

E411TR            11159 11672 11699 11711 12375+ 11836 11837

E415HL            11168 11705 11738

E415HR            11167 11704 11737 12376+ 11834 11835

Fisher & Paykel Customer Services  
 PO Box 798  
 19 Enterprise St  
 Cleveland, Queensland 4163  
 Australia  
 Tel: (07) 3826 9122  
 Fax: (07) 3826 9164  
 Email: parts@fp.com.au  
 A.C.N 003 335 171

Fisher & Paykel Ltd  
 Whiteware Spare Parts  
 PO Box 14-148, Panmure.  
 80 Springs Rd, East Tamaki  
 New Zealand  
 Tel: (09) 272 0261  
 Fax: (09) 272 0219  
 Email: parts@fp.co.nz



## CONTENTS

DOOR ASSEMBLIES TOP FREEZER.....	4
DOOR ASSEMBLIES BOTTOM FREEZER .....	8
CABINET TOP FREEZER.....	12
CABINET BOTTOM FREEZER.....	16
DRAWER ASSEMBLY HUMIDITY .....	20
FAN AND EVAPORATOR ASSEMBLIES .....	22
ACTV SMART ST4 TERMINALS PLUGS & SOCKETS.....	26
ELECTRONIC MODULE AND DUCT COVERS .....	28
COMPRESSOR AND POWER MODULE .....	30
NOTES.....	35
REFRIGERATION ABBREVIATION KEY .....	37

### GUIDE TO USING THIS MANUAL

The model(s) and/or series covered by this manual are listed on the front cover.

The information detailed in this manual is subject to change without notice, the latest version is indicated by the reprint date and replaces any earlier editions.

The front cover picture shows the type of product and may not necessarily be an exact image of the models covered by the manual.

#### Part References

Where a Model is shown, the part is exclusive to the Model(s) stated. Common parts relating to a part reference are applicable to all other Model(s) which use the particular item.

#### Kit Parts

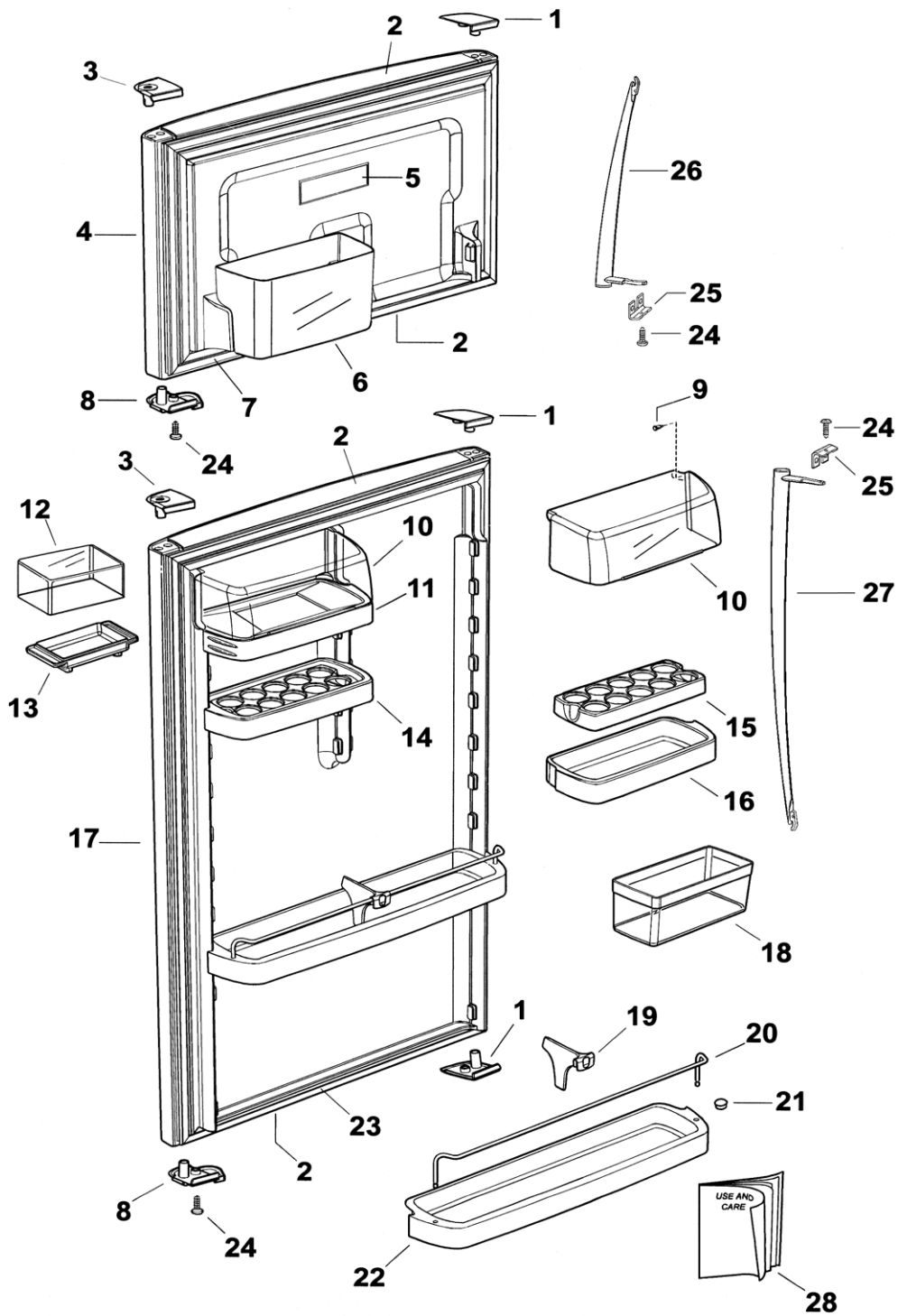
The components shown in *italics* are those parts in the kit which are available also as separate items. In addition, some parts may be supplied with this kit which are not available as separate items and are therefore not listed in this manual.

All details relating to Technical Bulletins or Notes are shown on a dedicated page. The Technical Bulletin Number shown relates to the bulletin version which is produced for New Zealand Service Centres.

#### Parts List Key

NOT USED	As a part, indicates the diagram part reference is not used in this manual.
#	Beside the part number, indicates the part is no longer available.
<i>italics</i>	Kit components shown in <i>italics</i> are also available separately.
*	Indicates a technical bulletin or note exists for the part or part reference.
NI	As a part reference, indicates the part is not illustrated on the diagram.

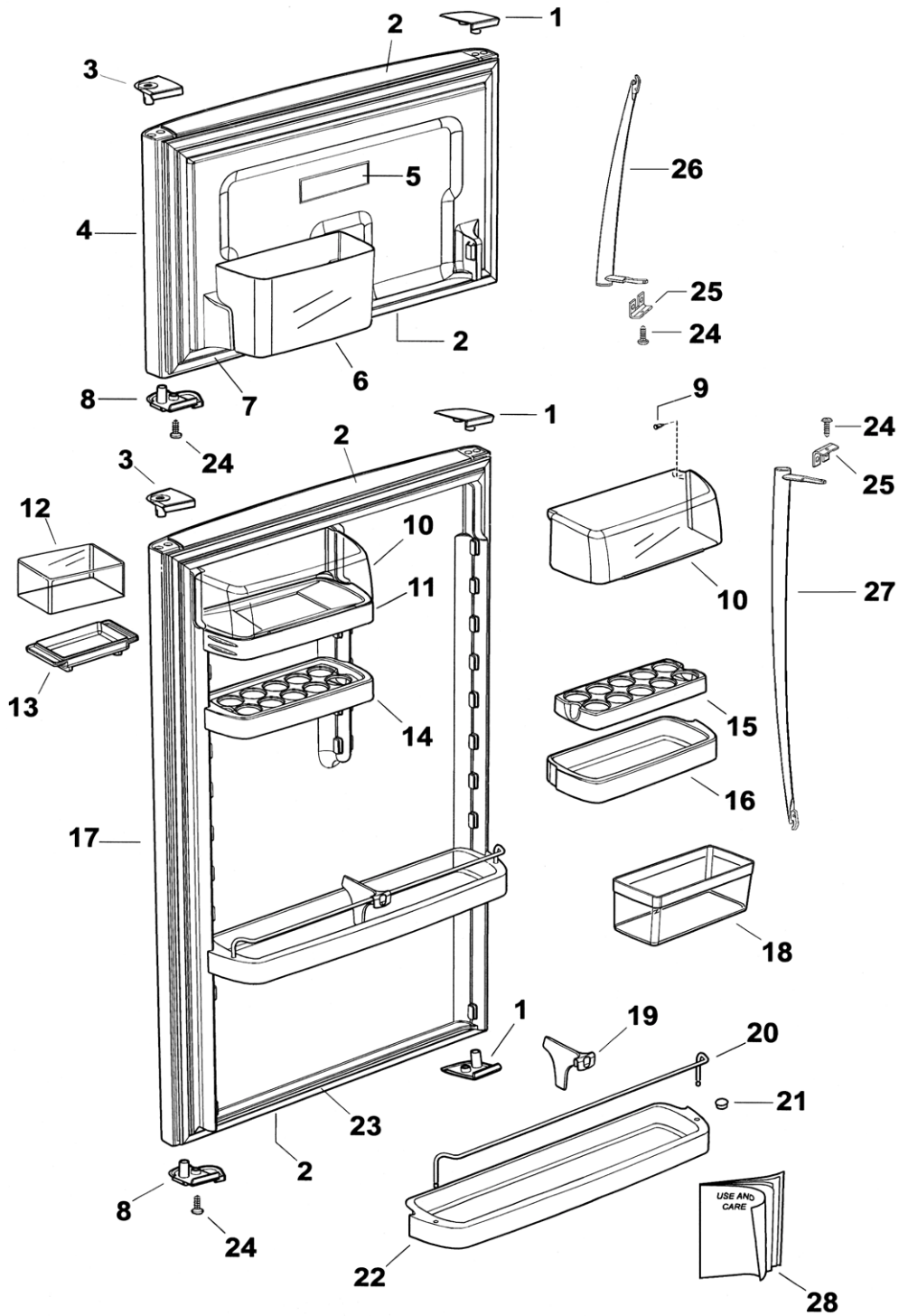
# DOOR ASSEMBLIES TOP FREEZER



**DOOR ASSEMBLIES TOP FREEZER**

<b>REF</b>	<b>PART</b>	<b>DESCRIPTION</b>	<b>MODEL</b>
1	881320	COVER ENDCAP LHT RHB CH 635	
	881321	COVER ENDCAP RHT LHB CH 635	
2	881313	CAP DOOR END OUTER CH 635	
3	881318	BEARING HINGE LHB RHT CH 635	
	881319	BEARING HINGE RHB LHT CH 635	
4	315046P	DOOR FC SS635X 443RH BS E411T	
	877955	<i>MAGNET DOOR ALARM</i>	
	881313	<i>CAP DOOR END OUTER CH 635</i>	
	315047P	DOOR FC SS635X 443LH BS E411T	
	877955	<i>MAGNET DOOR ALARM</i>	
	881313	<i>CAP DOOR END OUTER CH 635</i>	
5	874706	LABEL FREEZER GUIDE RF BLUE	
6	876507	BIN DOOR FC 'T' 635	
7	882173P	GASKET FC MD GY PUSHIN 635X416	
8	881461	BEARING DR CLOSING RH CH 635	
	881462	BEARING DR CLOSING LH CH 635	
9	871123	PLUG/PIN HINGE DAIRY COVER	
10	315017	KIT COVER DOOR SHELF 635	
	876503	<i>COVER DOOR SHELF CLEAR LH</i>	
	876504	<i>COVER DOOR SHELF CLEAR RH</i>	
11	882786	SHELF DR BC ASSY 10V 10W WH P4	
	878950	<i>TERMINAL SHELF BUTTER</i>	
	882783	<i>HEATER BUTTER COND 10W</i>	
	882784	<i>TAPE TRANSFER 50.8MM WIDE</i>	
	882787	<i>SHELF DOOR SMALL BC WHITE</i>	
	882788	<i>BASE BC SHELF</i>	
	882789	<i>TAPE TRANSFER 25.4MM WIDE</i>	
12	871125	COVER BUTTER TRAY ALL BRANDS	
13	880267	TRAY BUTTER SHELF WHITE	
14	874973	SHELF DOOR SML LH 635 WHITE	
15	876719	SHELF EGG RACK 635	
16	874974	SHELF DOOR SML RH 635 WHITE	
17	315043P	DOOR PC SS635X1200LH BS E411T	E411TL
	877955	<i>MAGNET DOOR ALARM</i>	
	881313	<i>CAP DOOR END OUTER CH 635</i>	
	315042P	DOOR PC SS635X1200RH BS E411T	E411TR
	877955	<i>MAGNET DOOR ALARM</i>	

# DOOR ASSEMBLIES TOP FREEZER

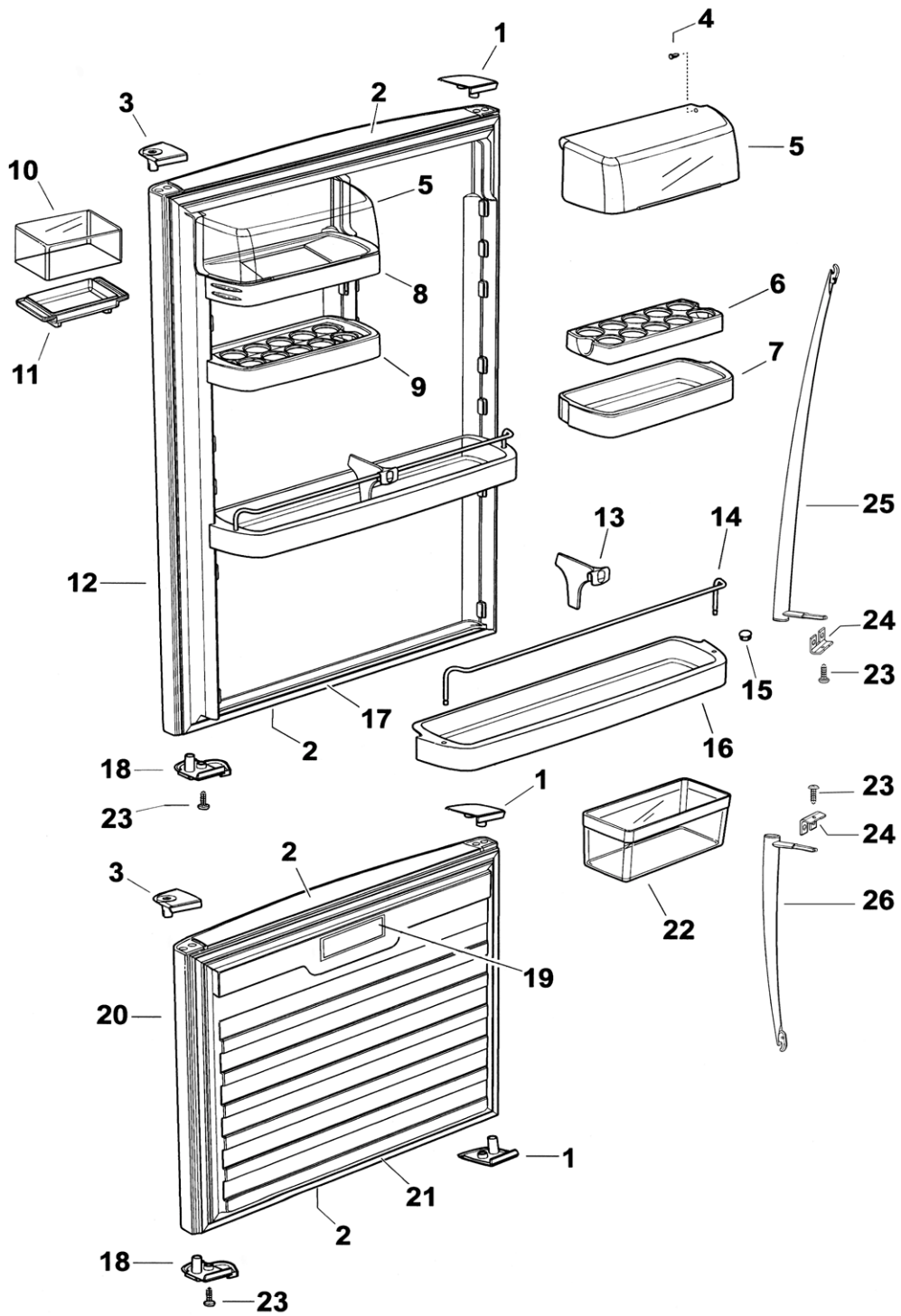




**DOOR ASSEMBLIES TOP FREEZER**

<b>REF</b>	<b>PART DESCRIPTION</b>	<b>MODEL</b>
17	881313 CAP DOOR END OUTER CH 635	
315070P	DOOR PC SS635X753LH BS	E415HL
	877955 MAGNET DOOR ALARM	
	881313 CAP DOOR END OUTER CH 635	
315069P	DOOR PC SS635X 753RH BS E415H	E415HR
	877955 MAGNET DOOR ALARM	
	881313 CAP DOOR END OUTER CH 635	
18	871129 BIN EGG/ICE MOULD ALL BRANDS	
19	883121 DIVIDER BOTTLE RAIL WHITE	
	883146 DIVIDER BOTTLE RAIL HS SILVER Q	
20	881339 RAIL BOTTLE SUPPORT SC 635	
21	876281 PLUG DOOR SHELF WHITE	
22	881337 SHELF DOOR LGE HSM874961 Q 635	
	874961 SHELF DOOR LGE 635 WHITE MOULD	
23	882172P GASKET PC MDGY PUSHIN 635X1175	
	882182P GASKET PC MDGY PUSHIN 635X 749	
24	881044 SCREW #8X22 WAFER PHIL STZP	
25	881391 PLATE HANDLE SUPPORT PLATED	
26	878985 HANDLE DR SS SHORT	
27	878984 HANDLE DR SS LONG	
28	881575 BOOKLET USE & CARE QUANTUM SS	
	881365 BOOKLET USE & CARE FRENCH	
NI	479151 LEAFLET SMART CARE NZ	
	479186 LEAFLET SM/CARE WARRTY REG AUS	
	882163 LEAFLET UK PLUG REPLACEMENT	

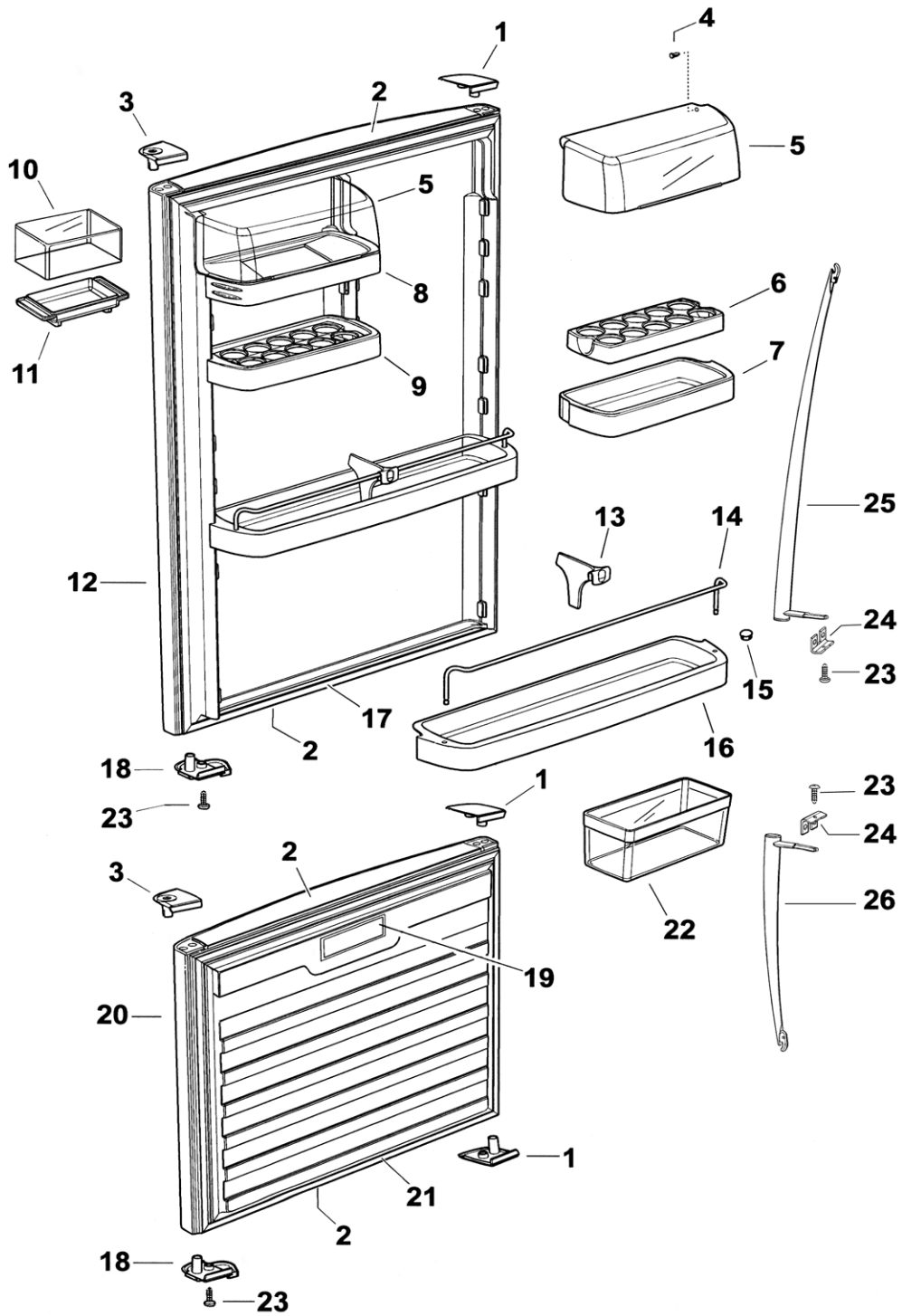
## DOOR ASSEMBLIES BOTTOM FREEZER



**DOOR ASSEMBLIES BOTTOM FREEZER**

<b>REF</b>	<b>PART</b>	<b>DESCRIPTION</b>	<b>MODEL</b>
1	881320	COVER ENDCAP LHT RHB CH 635	
	881321	COVER ENDCAP RHT LHB CH 635	
2	881313	CAP DOOR END OUTER CH 635	
3	881318	BEARING HINGE LHB RHT CH 635	
	881319	BEARING HINGE RHB LHT CH 635	
4	871123	PLUG/PIN HINGE DAIRY COVER	
5	315017	KIT COVER DOOR SHELF 635	
	876503	<i>COVER DOOR SHELF CLEAR LH</i>	
	876504	<i>COVER DOOR SHELF CLEAR RH</i>	
6	876719	SHELF EGG RACK 635	
7	874974	SHELF DOOR SML RH 635 WHITE	
8	882786	SHELF DR BC ASSY 10V 10W WH P4	
	878950	<i>TERMINAL SHELF BUTTER</i>	
	882783	<i>HEATER BUTTER COND 10W</i>	
	882784	<i>TAPE TRANSFER 50.8MM WIDE</i>	
	882787	<i>SHELF DOOR SMALL BC WHITE</i>	
	882788	<i>BASE BC SHELF</i>	
	882789	<i>TAPE TRANSFER 25.4MM WIDE</i>	
9	874973	SHELF DOOR SML LH 635 WHITE	
10	871125	COVER BUTTER TRAY ALL BRANDS	
11	880267	TRAY BUTTER SHELF WHITE	
12	315044P	DOOR PC SS635X1030RH BS E402B	
	877955	<i>MAGNET DOOR ALARM</i>	
	881313	<i>CAP DOOR END OUTER CH 635</i>	
	315045P	DOOR PC SS635X1030LH BS E402B	
	877955	<i>MAGNET DOOR ALARM</i>	
	881313	<i>CAP DOOR END OUTER CH 635</i>	
13	883121	DIVIDER BOTTLE RAIL WHITE	
	883146	DIVIDER BOTTLE RAIL HS SILVER Q	
14	881339	RAIL BOTTLE SUPPORT SC 635	
15	876281	PLUG DOOR SHELF WHITE	
16	881337	SHELF DOOR LGE HSM874961 Q 635	
	874961	SHELF DOOR LGE 635 WHITE MOULD	
17	882170P	GASKET MDGY PUSHIN 635X1003	
18	881461	BEARING DR CLOSING RH CH 635	
	881462	BEARING DR CLOSING LH CH 635	
19	874706	LABEL FREEZER GUIDE RF BLUE	

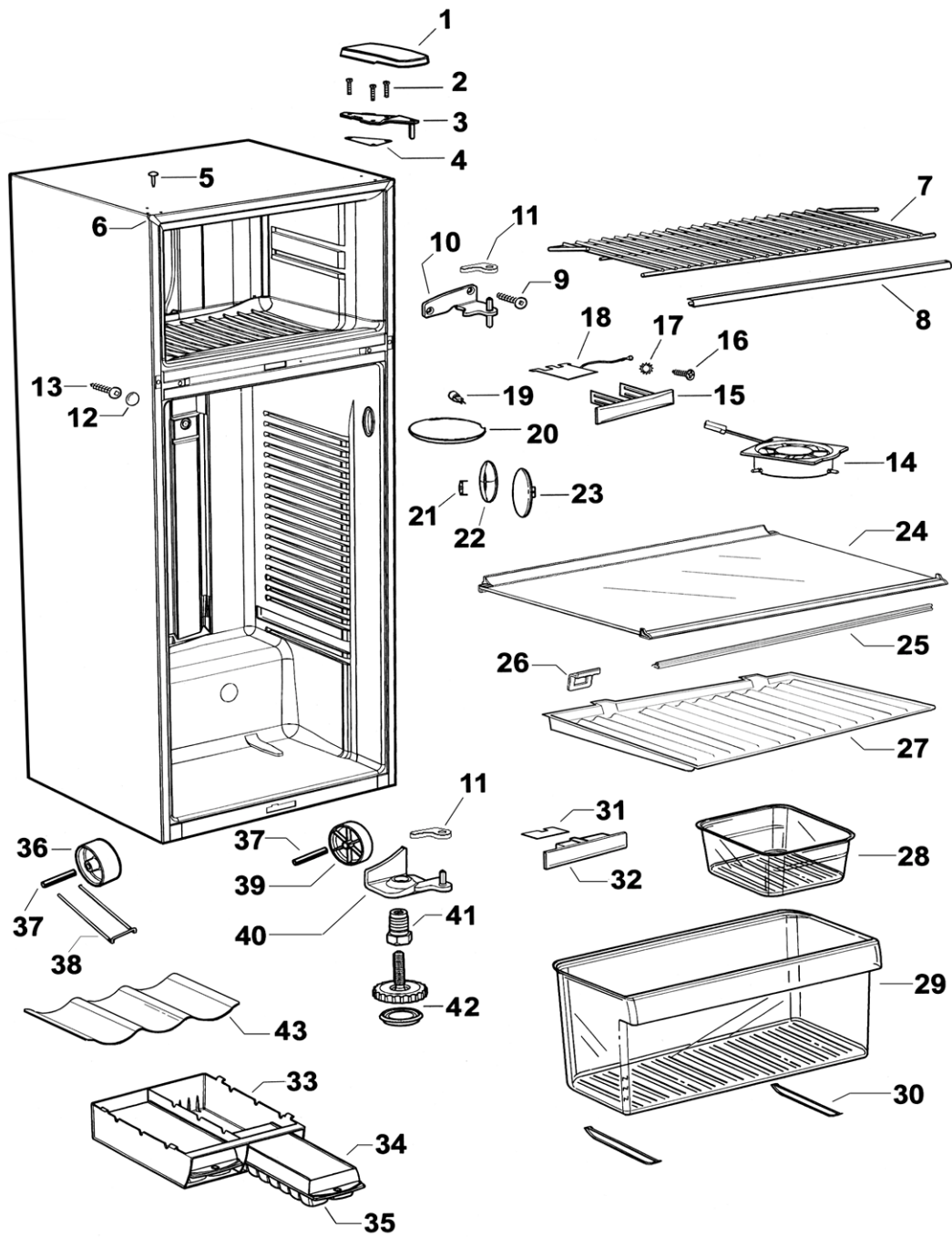
# DOOR ASSEMBLIES BOTTOM FREEZER



**DOOR ASSEMBLIES BOTTOM FREEZER**

<b>REF</b>	<b>PART</b>	<b>DESCRIPTION</b>	<b>MODEL</b>
20	315048P	DOOR FC SS635X 613RH BS E402B	
	877955	MAGNET DOOR ALARM	
	881313	CAP DOOR END OUTER CH 635	
	315049P	DOOR FC SS635X 613LH BS E402B	
	877955	MAGNET DOOR ALARM	
	881313	CAP DOOR END OUTER CH 635	
21	882171P	GASKET FC MDGY PUSHIN 635X585	
22	871129	BIN EGG/ICE MOULD ALL BRANDS	
23	881044	SCREW 8X22 WAFER PHIL STZP	
24	881391	PLATE HANDLE SUPPORT PLATED	
25	878984	HANDLE DR SS LONG	
26	878985	HANDLE DR SS SHORT	

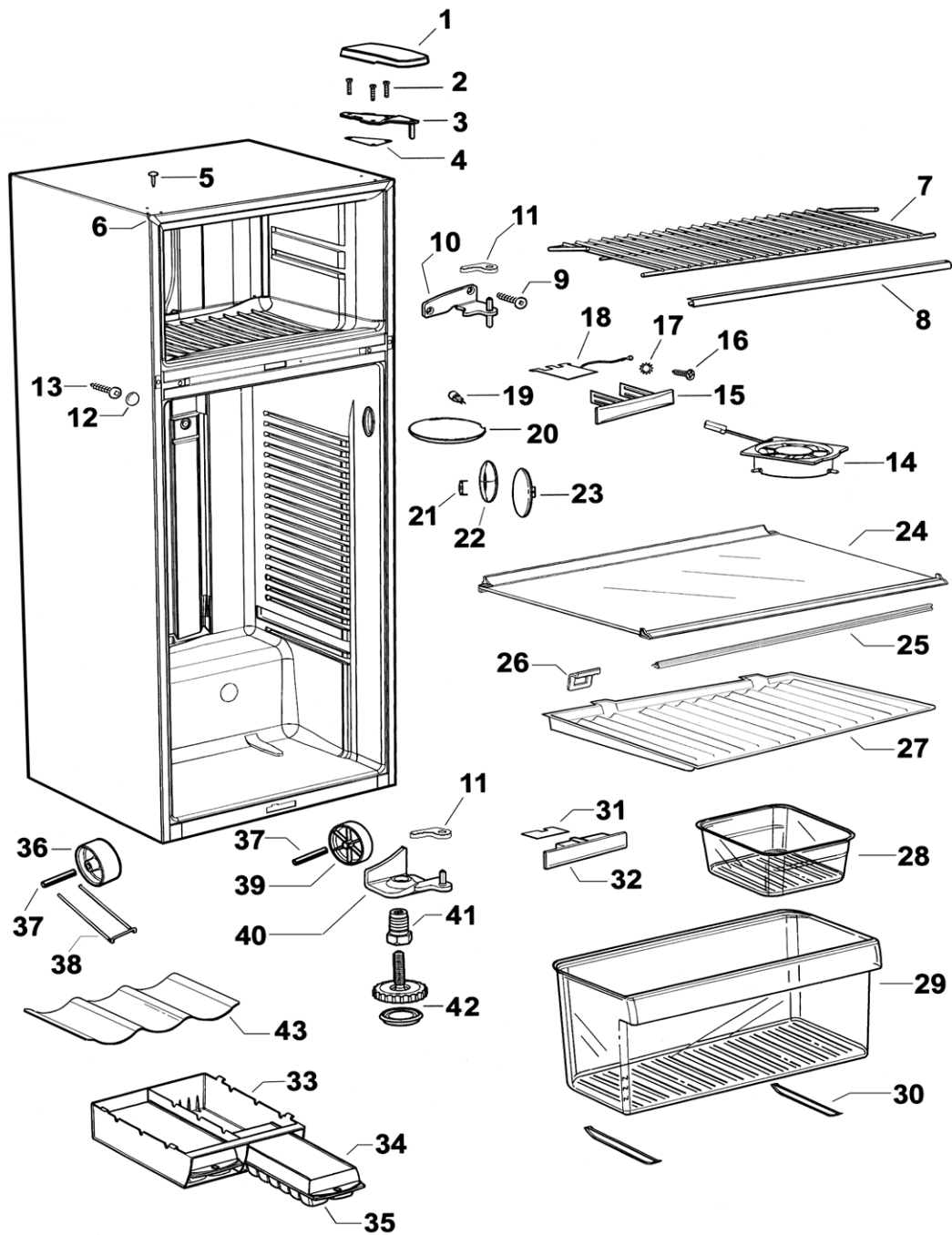
# CABINET TOP FREEZER



**CABINET TOP FREEZER**

<b>REF</b>	<b>PART</b>	<b>DESCRIPTION</b>	<b>MODEL</b>
1	881314	COVER TOP HINGE CH	
2	610312	SCREW MC M5X20 HEX PH MS ZNPL	
3	880526	BRACKET TOP HINGE ASSY (PLATED)	
4	882355	GASKET TOP HINGE	
5	881244	PLUG TAPPED HOLE CHARCOAL	
6	881243	TRIM CORNER CHARCOAL	
7	877925	SHELF TOP FC WH 635T 526 X 263	
8	880583	TRIM SHELF WHITE 528MM 635 T	
9	880656	SCREW 10GX25CSK SQ SS	
10	881283	BRACKET CTR HINGE RH PLATED	
	881286	BRACKET CTR HINGE LH PLATED	
11	881270	CAP DOOR CLOSING RH HGE BRKT	
	881271	CAP DOOR CLOSING LH HGE BRKT	
12	881295	CAP SCREW CROSS RAIL CHARCOAL	
13	880655	SCREW #10X19 AB #2 SQ ZN	
14	880820	FAN & HOUSING PC ASSY ST3	
		<i>872956 AMP HOUSING FEMALE 172233-1</i>	
		<i>878545 AMP PIN 16-20AWG 171680-1</i>	
	*	<i>878582 SPRING FAN SUSPENDED</i>	
	*	<i>878583 HOUSING FAN SUSPENDED</i>	
		<i>881147 MOTOR FAN ASSY DC SUSP PC ST3</i>	
	881438P	FAN & HOUSING PC ASSY ST4	
	*	<i>878582 SPRING FAN SUSPENDED</i>	
	*	<i>878583 HOUSING FAN SUSPENDED</i>	
		<i>881408 MOTOR FAN ASSY DC SUSP PC ST4</i>	
		<i>881592 MOLEX CAP FEMALE 51139-0200</i>	
		<i>881598 MOLEX PIN 20-26AWG 50600-8100 (20-26AWG)</i>	
15	880542	COVR REED SW CTR X/RAIL WH ST3	
	881420	COVER REED SW X/R & BTM WH ST4	
16	SP0201P	SCREW 8X12 PAN PH NIB PKT10	
17	900101	WASHER LOCK NO 10 EXT SP ZP	
18	880643P	SWITCH REED+HARN XTN X/RAIL ST3	
	* 883253P	SWITCH REED X/RAIL FIELD FX KIT ST3	
	881223P	SWITCH REED FIELD FIX KIT ST4	
19	874017	LAMP HALOGEN PC 12VOLT/10W	
20	875318	COVER LAMP PC	
21	878952	TERMINAL BUTTER COND SHELF DR	

# CABINET TOP FREEZER

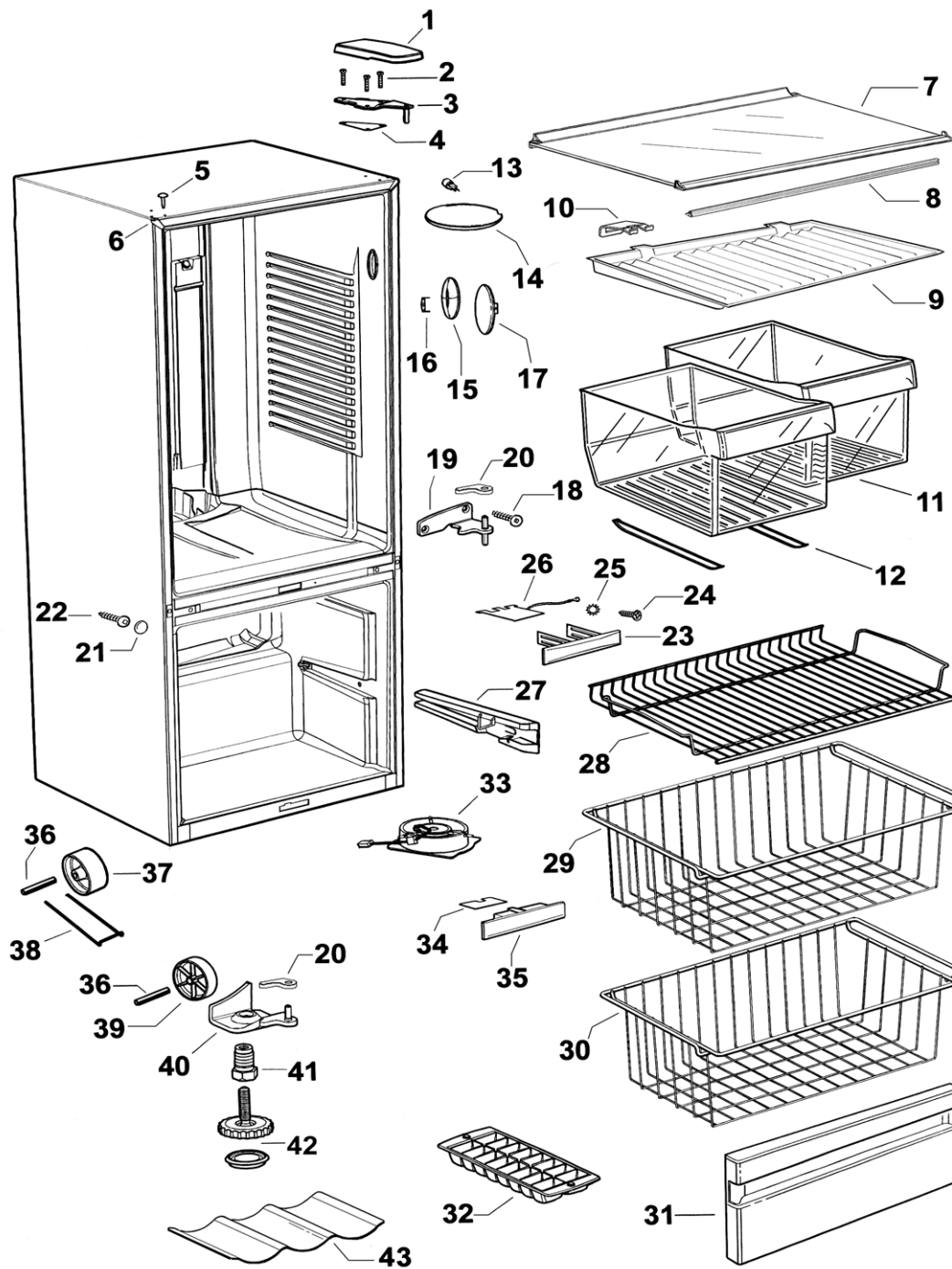




**CABINET TOP FREEZER**

<b>REF</b>	<b>PART</b>	<b>DESCRIPTION</b>	<b>MODEL</b>
22	881066	HOUSING TERMINAL PC LINER BC	
23	878954	CAP NO BC LINER	
24	881297	SHELF GLASS PC SC ASSY 635	
		<i>881252 SHELF GLASS PC 635</i>	
		<i>881255 EXTRUSN FRT GLASS SHELF SC 635</i>	
		<i>881258 EXTRUSN REAR GLAS SHELF SC 635</i>	
		<i>881261 PLUG REAR EXTRUSN RH ALL MODLS</i>	
		<i>881262 PLUG REAR EXTRUSN LH ALL MODLS</i>	
		<i>881263 PLUG FRONT EXTRUSION RH 635</i>	
		<i>881264 PLUG FRONT EXTRUSION LH 635</i>	
25	881265	EXTRUSION HCL SUPPORT 635/680	
26	881269	BRACKET HCL SUPPORT T GL SH	
27	881300	LID HCL T 635/680 GLASS SHELF	
28	876538	TRAY CRISPER 'T' 635	
29	876537	BIN CRISPER 635/680 T MODEL	
30	876667	FOOT CRISPER RUNNER 'T'	
31	880657P	SWITCH REED BASE PANEL ST3	
	881223P	SWITCH REED FIELD FIX KIT ST4	
32	881296	COVR REED SWITCH B/PANL CH ST3	
	881422	COVR REED SWITCH B/PANL CH ST4	
33	872963	TRAY ICE HOLDER	
34	874108	TRAY ICE LID	
35	874107	TRAY ICE BASE	
36	871132	FOOT ROLLER	
37	871017	PIN ROLLER PLATED	
38	871041	CLIP ROLLER	
39	880545	ROLLER FOOT	
40	881274	BRACKET BTTM HINGE RH PLATED	
	881277	BRKT BTTM HINGE LH ASSY PLATED	
41	880959	BOLT BOTTOM HINGE BRACKET	
42	880512	FOOT LEVELLING ASSEMBLY	
		<i>880519 BASE LEVELLING FOOT</i>	
43	881483	RACK WINE SS – OPTIONAL ACCESSORY	

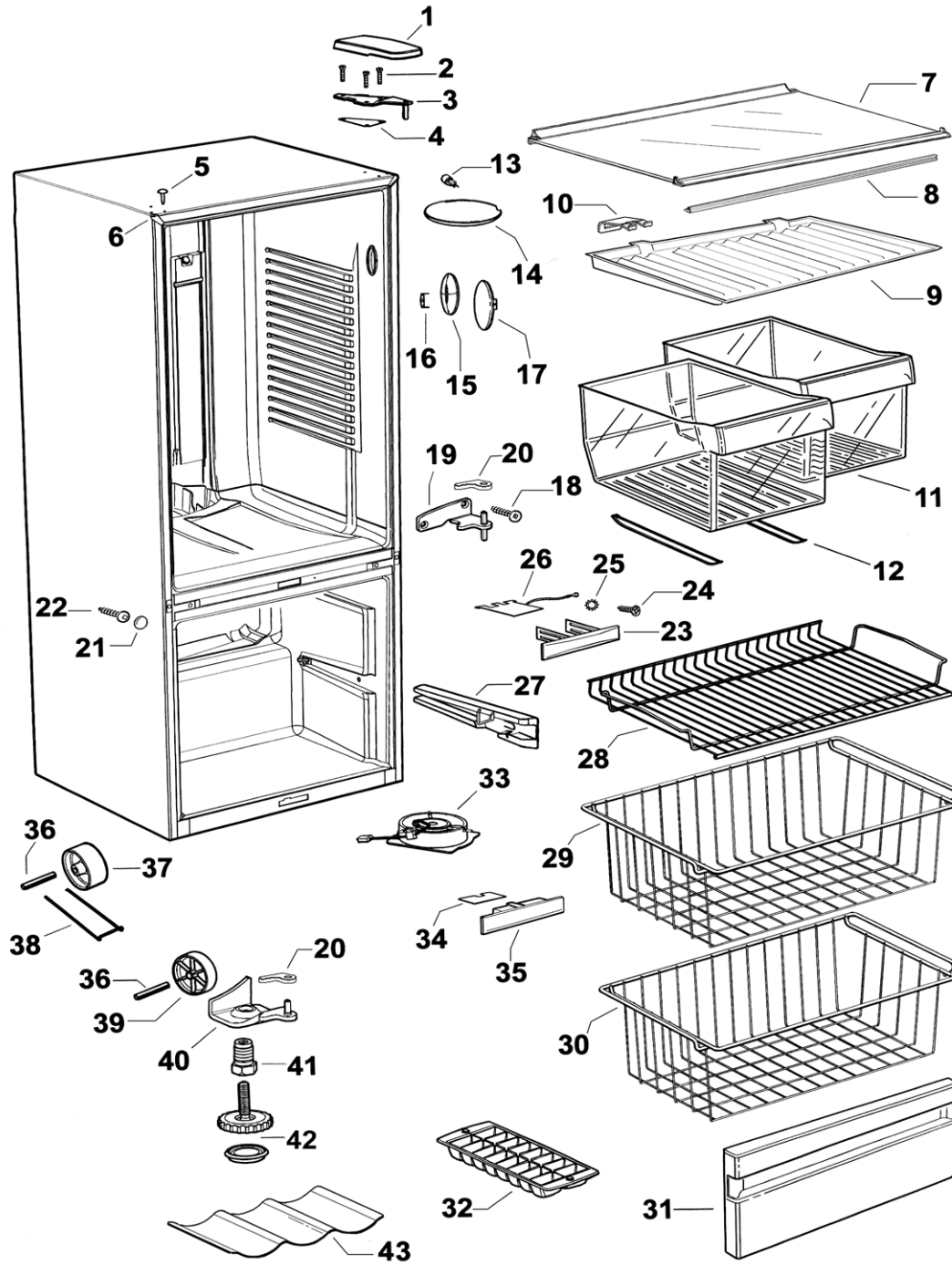
# CABINET BOTTOM FREEZER



**CABINET BOTTOM FREEZER**

<b>REF</b>	<b>PART</b>	<b>DESCRIPTION</b>	<b>MODEL</b>
1	881314	COVER TOP HINGE CH	
2	610312	SCREW MC M5X20 HEX PH MS ZNPL	
3	860012	BRACKET TOP HINGE B MODEL PLA	
4	882355	GASKET TOP HINGE	
5	881244	PLUG TAPPED HOLE CHARCOAL	
6	881243	TRIM CORNER CHARCOAL	
7	881297	SHELF GLASS PC SC ASSY 635	
	881252	<i>SHELF GLASS PC 635</i>	
	881255	<i>EXTRUSN FRT GLASS SHELF SC 635</i>	
	881258	<i>EXTRUSN REAR GLAS SHELF SC 635</i>	
	881261	<i>PLUG REAR EXTRUSN RH ALL MODLS</i>	
	881262	<i>PLUG REAR EXTRUSN LH ALL MODLS</i>	
	881263	<i>PLUG FRONT EXTRUSION RH 635</i>	
	881264	<i>PLUG FRONT EXTRUSION LH 635</i>	
8	881265	EXTRUSION HCL SUPPORT 635/680	
9	881301	LID HCL B 635/680 GLASS SHELF	
10	881268	BRACKET HCL SUPPORT B GL SH	
11	876536	BIN CRISPER B MODEL 635/680	
12	875287	FOOT CRISPER RUNNER B	
13	874017	LAMP HALOGEN PC 12VOLT/10W	
14	875318	COVER LAMP PC	
15	881066	HOUSING TERMINAL PC LINER BC	
16	878952	TERMINAL BUTTER COND SHELF DR	
17	878954	CAP NO BC LINER	
18	880656	SCREW 10GX25CSK SQ SS	
19	881283	BRACKET CTR HINGE RH PLATED	
	881286	BRACKET CTR HINGE LH PLATED	
20	881270	CAP DOOR CLOSING RH HGE BRKT	
	881271	CAP DOOR CLOSING LH HGE BRKT	
21	881295	CAP SCREW CROSS RAIL CHARCOAL	
22	880655	SCREW #10X19 AB #2 SQ ZN	
23	880542	COVR REED SW CTR X/RAIL WH ST3	
	881420	COVER REED SW X/R & BTM WH ST4	
24	SP0201P	SCREW 8X12 PAN PH NIB PKT10	
25	900101	WASHER LOCK NO 10 EXT SP ZP	
26	880643P	SWITCH REED+HARN XTN X/RAIL ST3	
	* 883253P	SWITCH REED X/RAIL FIELD FIX KIT ST3	
	881223P	SWITCH REED FIELD FIX KIT ST4	
27	871145	RUNNER FC BASKET ASSY B RH	
	855143	<i>WHEEL BASKET SUPPORT B VF</i>	
	901323	<i>PIN FC BASKET RUNNER</i>	
	871146	RUNNER FC BASKET ASSY B LH	
	855143	<i>WHEEL BASKET SUPPORT B VF</i>	
	901323	<i>PIN FC BASKET RUNNER</i>	

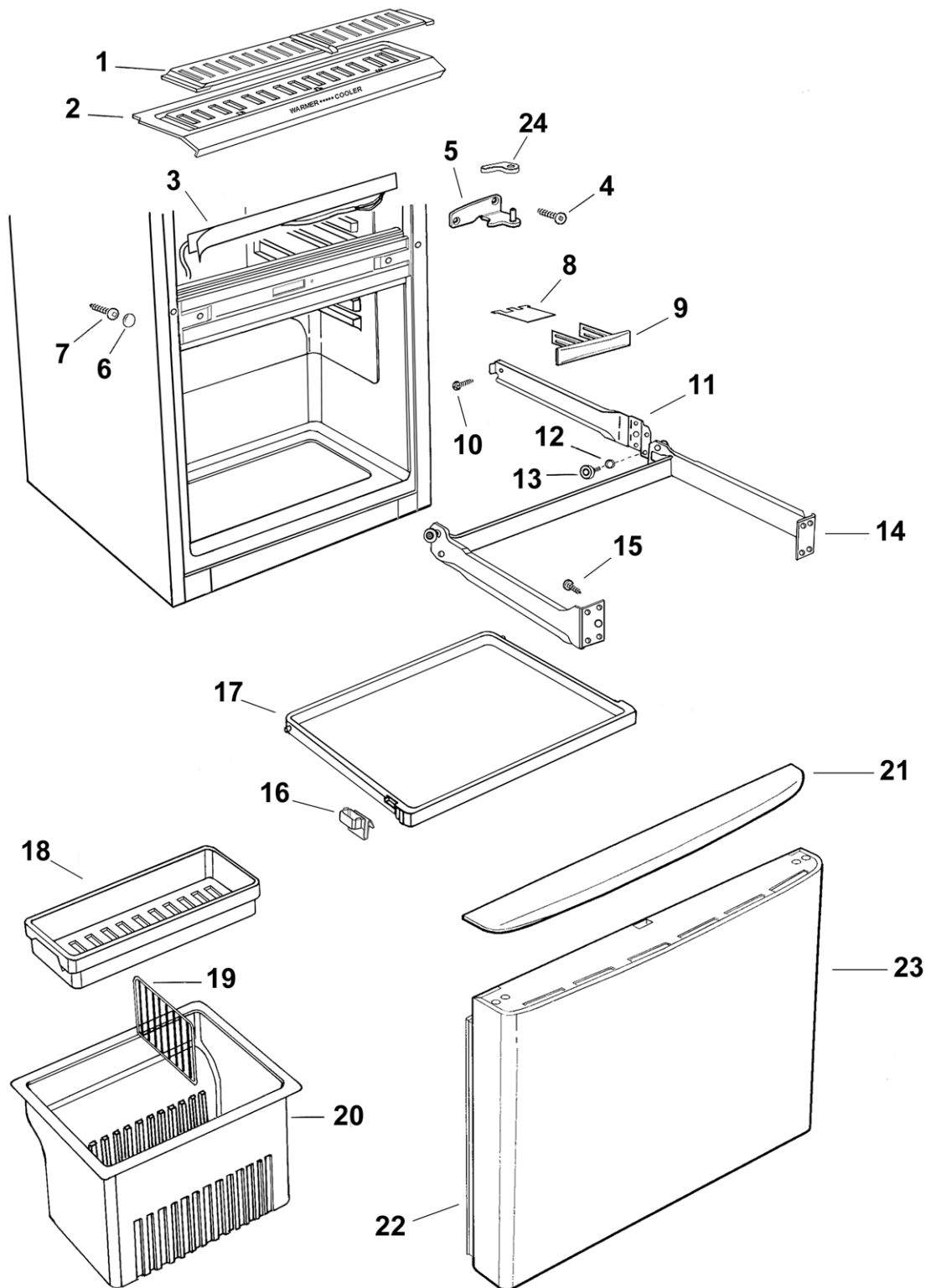
# CABINET BOTTOM FREEZER



**CABINET BOTTOM FREEZER**

<b>REF</b>	<b>PART DESCRIPTION</b>	<b>MODEL</b>
28	877928	SHELF FC TOP 534X361 635 B MOD
29	877934	BASKET FC TOP 635 B MODEL
30	877931	BASKET FC BOTTOM 635 B MODEL
31	882766	TRIM FC BASKET FRONT 635 WHITE
32	874107	TRAY ICE BASE
33	880820	FAN & HOUSING PC ASSY ST3
	872956	AMP HOUSING FEMALE 172233-1
	878545	AMP PIN 16-20AWG 171680-1
*	878582	SPRING FAN SUSPENDED
*	878583	HOUSING FAN SUSPENDED
	881147	MOTOR FAN ASSY DC SUSP PC ST3
	881438P	FAN & HOUSING PC ASSY ST4
*	878582	SPRING FAN SUSPENDED
*	878583	HOUSING FAN SUSPENDED
	881408	MOTOR FAN ASSY DC SUSP PC ST4
	881592	MOLEX CAP FEMALE 51139-0200
	881598	MOLEX PIN 20-26AWG 50600-8100 (20-26AWG)
34	880657P	SWITCH REED BASE PANEL ST3
	881223P	SWITCH REED FIELD FIX KIT ST4
35	881296	COVR REED SWITCH B/PANL CH ST3
	881422	COVR REED SWITCH B/PANL CH ST4
36	871017	PIN ROLLER PLATED
37	871132	FOOT ROLLER
38	871041	CLIP ROLLER
39	880545	ROLLER FOOT
40	881274	BRACKET BTTM HINGE RH PLATED
	881277	BRKT BTTM HINGE LH ASSY PLATED
41	880959	BOLT BOTTOM HINGE BRACKET
42	880512	FOOT LEVELLING ASSEMBLY
	880519	BASE LEVELLING FOOT
43	881483	RACK WINE SS - OPTIONAL ACCESSORY

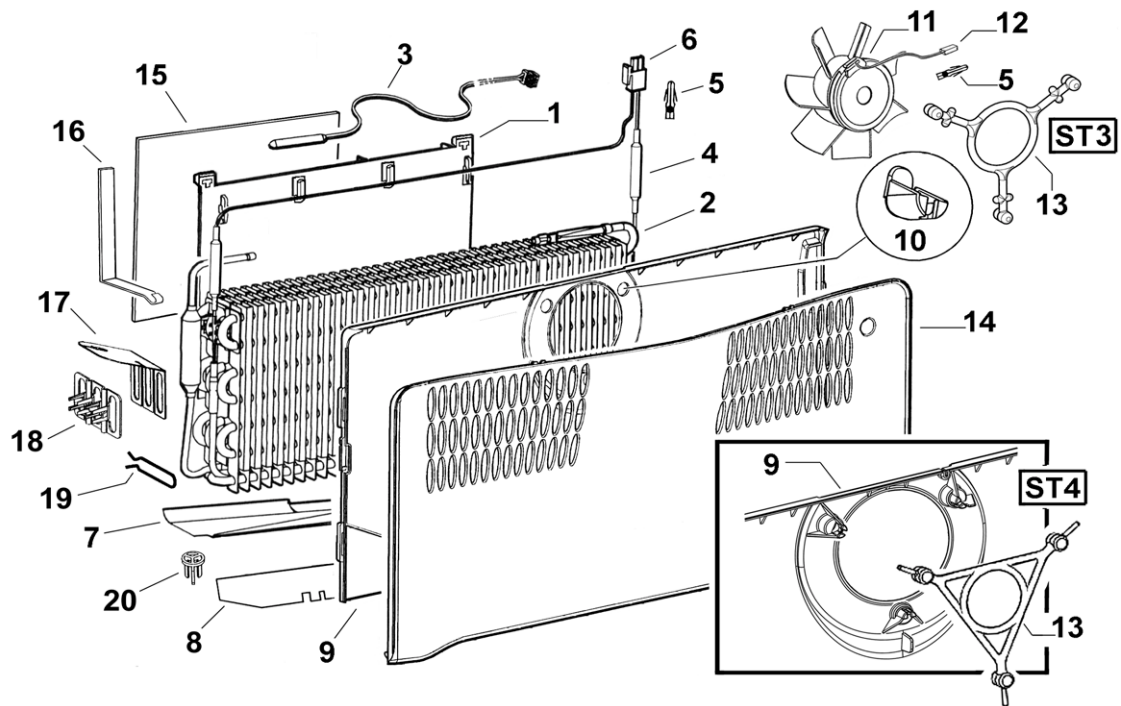
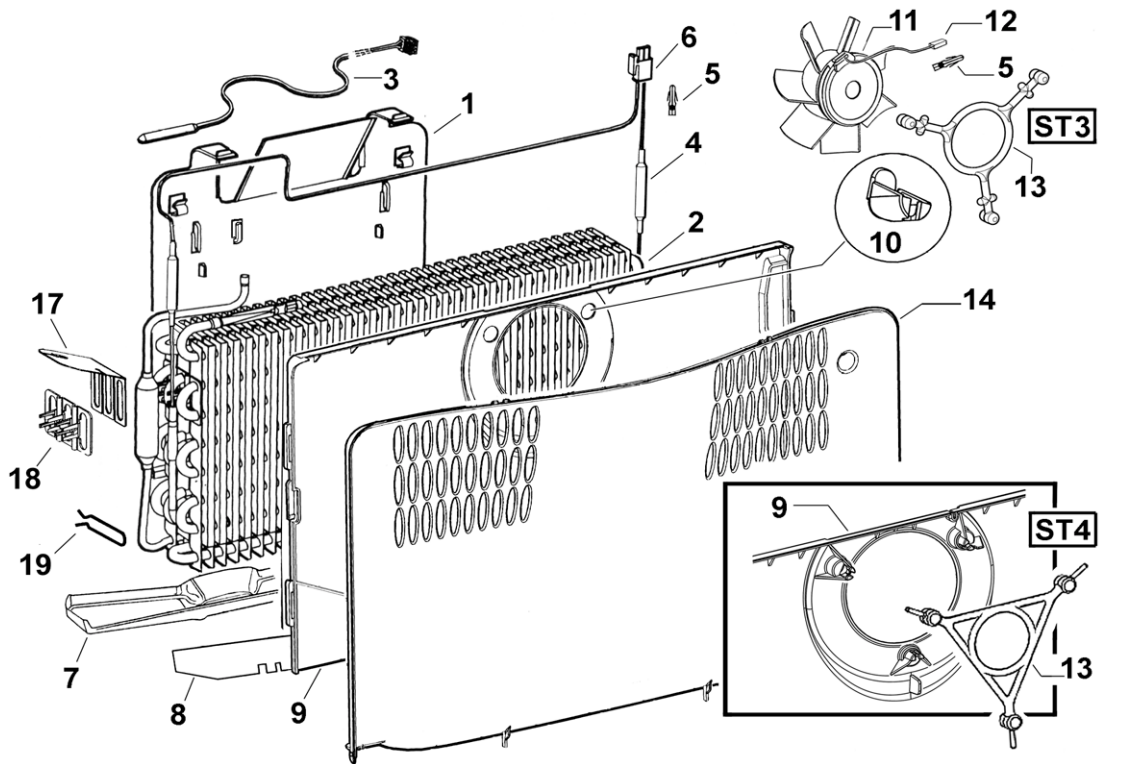
## DRAWER ASSEMBLY HUMIDITY



**DRAWER ASSEMBLY HUMIDITY**

<b>REF</b>	<b>PART</b>	<b>DESCRIPTION</b>	<b>MODEL</b>
1	873501	CONTROL SLIDE HC WHITE	
2	880253	COVER FINISHED HC H/S BLUE 635	
3	880782	HEATER X-RAIL HC 230V P42 ST3	
	882284	HEATER X/RAIL HC 240V ST4	
4	880656	SCREW 10GX25CSK SQ SS	
5	881288	BRACKET H-RAIL HINGE RH PLATED	
	881290	BRACKET H-RAIL HINGE LH PLATED	
6	880595	CAP SCREW CROSS RAIL WHITE	
7	880655	SCREW #10X19 AB #2 SQ ZN	
8	880730P	SWITCH REED H/RAIL ST3	
	881223P	SWITCH REED FIELD FIX KIT ST4	
9	880542	COVR REED SW CTR X/RAIL WH ST3	
	881420	COVER REED SW X/R & BTM WH ST4	
10	SP0201P	SCREW 8X12 PAN PH NIB PKT10	
11	877643	RAIL GUIDE ASSY WHITE LH	
	877644	RAIL GUIDE ASSY WHITE RH	
12	873510	WASHER HINGE BEARING 4.8MM WH	
13	871377	BEARING IDS-26-SB5S	
14	873240	RAIL FRAME ASSY HC WHITE	
15	900792	SCREW #10.32X17MM RSC CSK TY 2	
16	880449	RUNNER SUPPORT TRAY DIVIDER HC	
17	875114	TRAY DIVIDER PC 635 WHITE	
18	874965	TRAY HC WHITE	
19	871654	PARTITION PLASTICISED HC	
20	871233	BIN HC	
21	881367	HANDLE DOOR HC SATIN CHROME	
	880765	HANDLE DOOR HC SILVER	
22	882173P	GASKET FC MD GY PUSHIN 635X416	
23	315071P	DOOR HC SS635X433 BS	
	877955	<i>MAGNET DOOR ALARM</i>	
	881313	<i>CAP DOOR END OUTER CH 635</i>	
24	881270	CAP DOOR CLOSING RH HGE BRKT	
	881271	CAP DOOR CLOSING LH HGE BRKT	

# FAN AND EVAPORATOR ASSEMBLIES

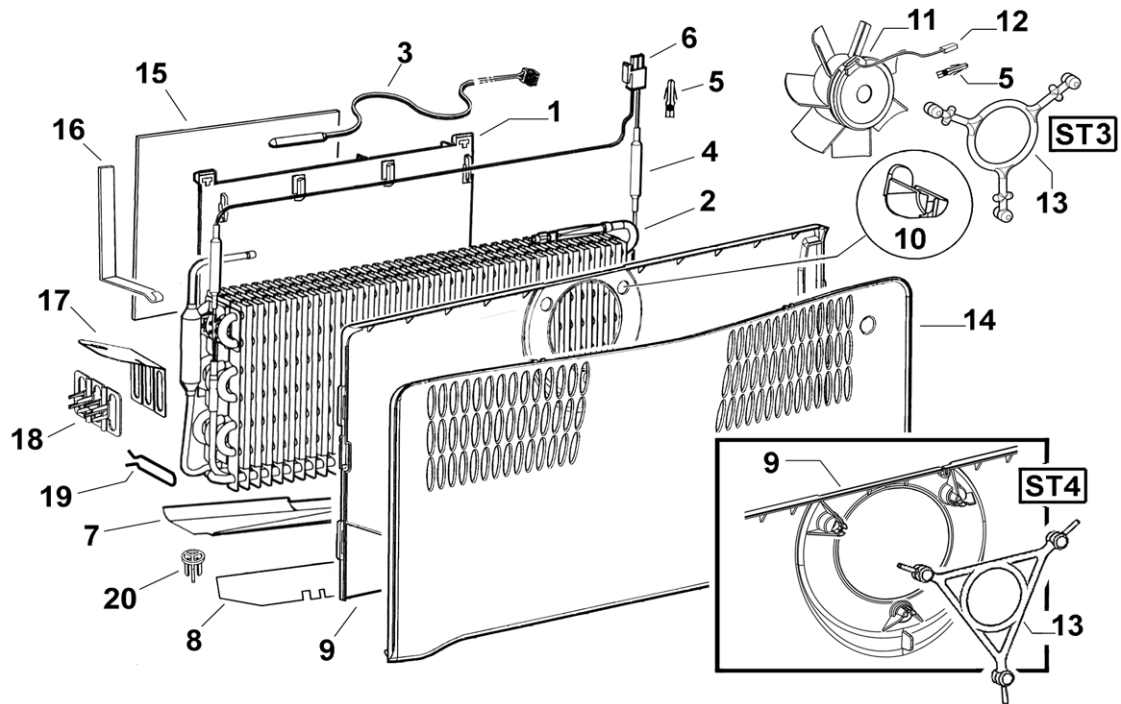
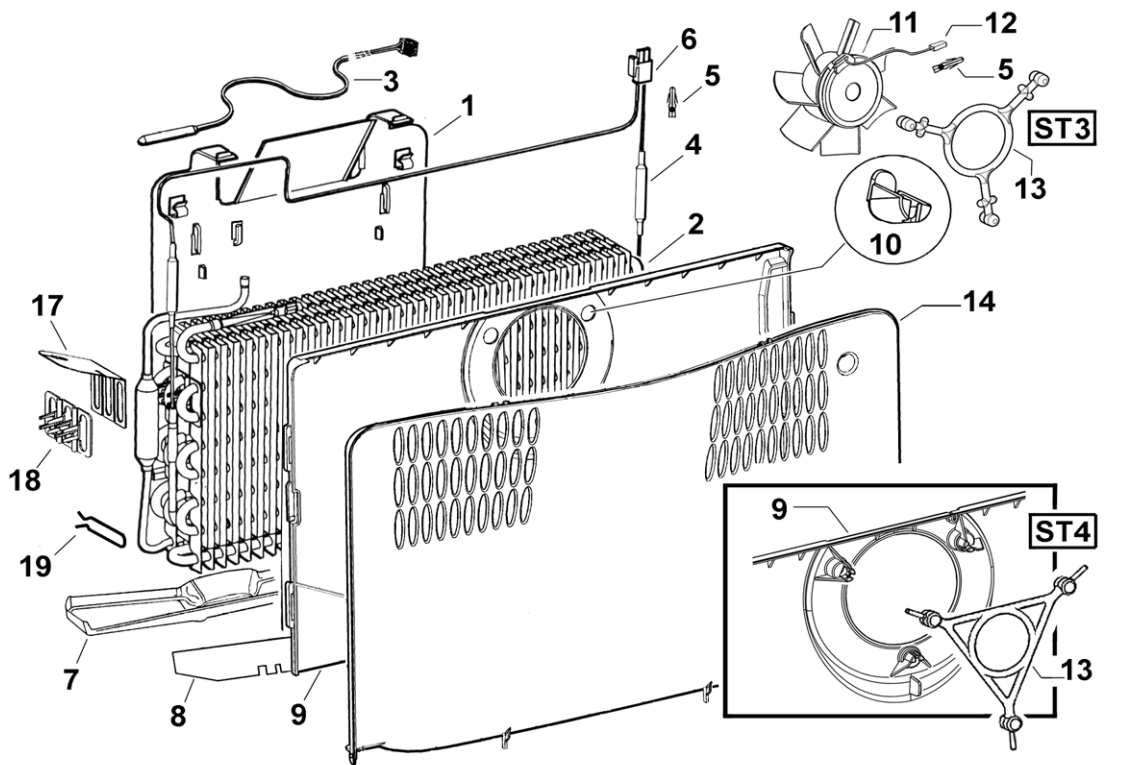




## FAN AND EVAPORATOR ASSEMBLIES

REF	PART	DESCRIPTION	MODEL
1	874109	CHASSIS EVAP ELECT 635/680B	E402BL
	874109	CHASSIS EVAP ELECT 635/680B	E402BR
	880495	CHASSIS EVAP T ELECT	E411TL
	880495	CHASSIS EVAP T ELECT	E411TR
2	874094	EVAP SERV KIT 635T&H ST3 240V	
	874095	EVAP SERV KIT 635B ST3 240V	
	881428P	EVAP SERV KIT 635T&H ST4 240V	
	881429P	EVAP SERV KIT 635B ST4 240V	
3	855203P	SENSOR KIT ASSY	
4	874175	HEATER DEF ASSY 635 ST3 240V	
	872957	AMP SKT 16-20AWG 171639-1	
	873988	PLUG 2WAY HSG AMP MATE-N-LOK	
	881411	HEATER DEF ASSY 635 ST4 240V	
	881593	MOLEX PLUG MALE 51138-0200	
	881595	MOLEX SKT 16-22AWG 50597-8100 (16-22AWG)	
5	872957	AMP SKT 16-20AWG 171639-1	
6	873988	PLUG 2WAY HSG AMP MATE-N-LOK	
7	872831	SHIELD DRAIN HTR DEFROST 635B	E402BL
	872831	SHIELD DRAIN HTR DEFROST 635B	E402BR
	874724	SHIELD DRAIN HTR 635T	E411TL
	874724	SHIELD DRAIN HTR 635T	E411TR
8	880409	SHIELD HEATER FC COVER 635T	
9	* 880955	COVER FAN FC REAR 635	
	* 882845	COVER ASSY FAN FC REAR 635	
10	* 880543	CLIP FAN SUSPENDED LONG TOP	
	* 880544	CLIP FAN SUSPENDED SHORT BTM	
11	* 880923	MOTOR ASSY FAN FC SUSP 12V ST3	
	872956	AMP HOUSING FEMALE 172233-1	
	878545	AMP PIN 16-20AWG 171680-1	
	881409P	MOTOR ASSY FAN FC SUSP 12V ST4	
	881409	MOTOR ASSY FAN FC SUSP 12V ST4	
	881592	MOLEX CAP FEMALE 51139-0200	
	881598	MOLEX PIN 20-26AWG 50600-8100 (20-26AWG)	
12	872956	AMP HOUSING FEMALE 172233-1	
13	880952	SPRING FAN SUSPENDED FC	
	* 882956	SPRING FAN SUSPD FC TRIANGULAR	
14	873398	COVER FC FRONT 635 B ELECT	E402BL

# FAN AND EVAPORATOR ASSEMBLIES

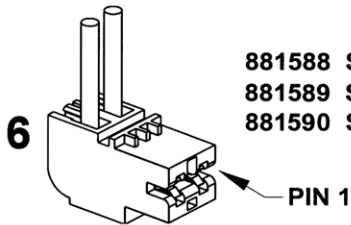
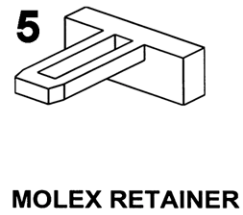
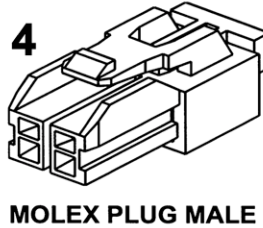
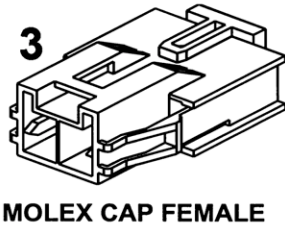
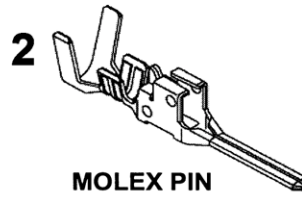
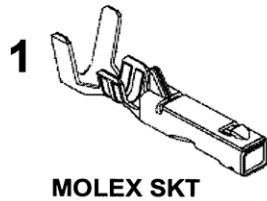


**FAN AND EVAPORATOR ASSEMBLIES**

<b>REF</b>	<b>PART</b>	<b>DESCRIPTION</b>	<b>MODEL</b>
14	873398	COVER FC FRONT 635 B ELECT	E402BR
	873399	COVER FAN FC FRONT 635 T P42	E411TL
	873399	COVER FAN FC FRONT 635 T P42	E411TR
15	880423	DEFLECTOR CHASSIS HTR 635/680B	E402BL
	880423	DEFLECTOR CHASSIS HTR 635/680B	E402BR
16	880585	CLIP CHASSIS HEATER B MODEL	
17	880724	DEFLECTOR AIR FLOW	
18	871463	CLIP TUBE EVAP PLASTIC	
19	855299	CLIP HEATER 20MM EVAP FIN	E402BL
	855299	CLIP HEATER 20MM EVAP FIN	E402BR
20	876771	FILTER 'P' CATCHER DRAIN	E402BL
	876771	FILTER 'P' CATCHER DRAIN	E402BR

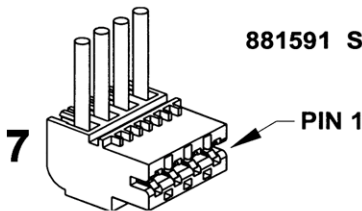
# ACTV SMART ST4 TERMINALS PLUGS & SOCKETS

## ACTIVE SMART STAGE 4 TERMINALS, PLUGS AND SOCKETS

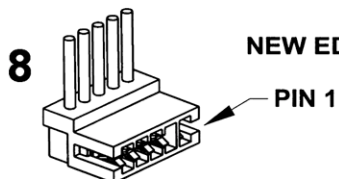


881588 STOCKO 9290-02-AB01-000-960 (Mains cord)  
881589 STOCKO 9290-02-BA01-000-960 (Defrost Heater)  
881590 STOCKO 9290-02-EE01-000-960 (Run Capacitor)

**NOTE THAT IN THE PART NAMES OF THESE CONNECTORS, THE -02- REFERS TO IT BEING A 2 WAY CONNECTOR, AND THE -AB01- (FOR EXAMPLE) REFERS TO THE CODING OF THE CONNECTOR. STOCKO IS THE MANUFACTURER OF THESE CONNECTORS.**



881591 STOCKO 9290-04-EF02-000-960  
(COMPRESSOR CABLE)



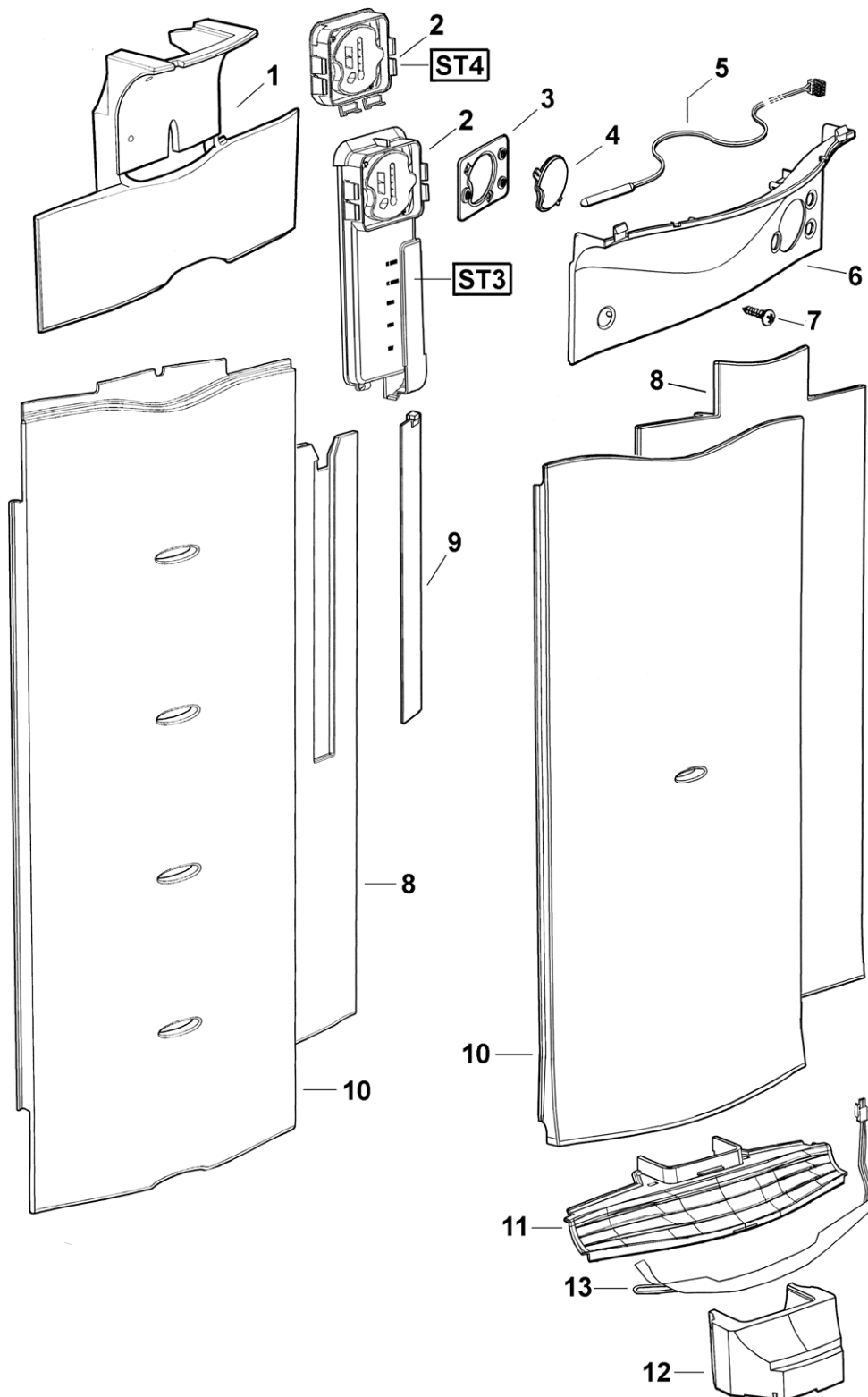
**NEW EDGE CONNECTOR SERIES WITH INTERNAL CODING – NOTE THE WALL.**

**NOTE: TO MINIMISE THE NUMBER OF SPARE PARTS THAT NEED TO BE CARRIED, THESE CODED CONNECTORS ARE TO BE REPLACED WITH THEIR UN-CODED EQUIVALENTS. FOR THE 3, 5 AND 6 WAY CONNECTORS USED ON STAGE 4 CABINETS**

**ACTV SMART ST4 TERMINALS PLUGS & SOCKETS**

<b>REF</b>	<b>PART</b>	<b>DESCRIPTION</b>	<b>MODEL</b>
1	881595	MOLEX SKT 16-22AWG 50597-8100 (16-22AWG)	
	881596	MOLEX SKT 20-26AWG 50598-8100 (20-26AWG)	
2	881597	MOLEX PIN 16-22AWG 50599-8100 (16-22AWG)	
	881598	MOLEX PIN 20-26AWG 50600-8100 (20-26AWG)	
3	881592	MOLEX CAP FEMALE 51139-0200	
4	881593	MOLEX PLUG MALE 51138-0200	
5	881594	MOLEX RETAINER 51140-0205	
6	881588	STOCKO 9290-02-AB01-000-960 (MAINS CORD)	
	881589	STOCKO 9290-02-BA01-960 (DEFROST HEATER)	
	881590	STOCKO 9290-02-EE01-000-960 (RUN CAP)	
7	881591	STOCKO 9290-04-EF02-000-960 (COMP CABLE)	
8	873243	STOCKO 7234-012-500-450	
	873247	STOCKO 7234-006-500-450	
	873248	STOCKO 7234-010-500-450	
	873250	STOCKO 7234-004-500-450	
	873251	STOCKO 7234-003-500-450	
	873279	STOCKO 7234-008-500-450	
	881135	STOCKO 7234-005-500-450	
	881136	STOCKO 7234-014-500-450	
	881137	STOCKO 7234-017-500-450	

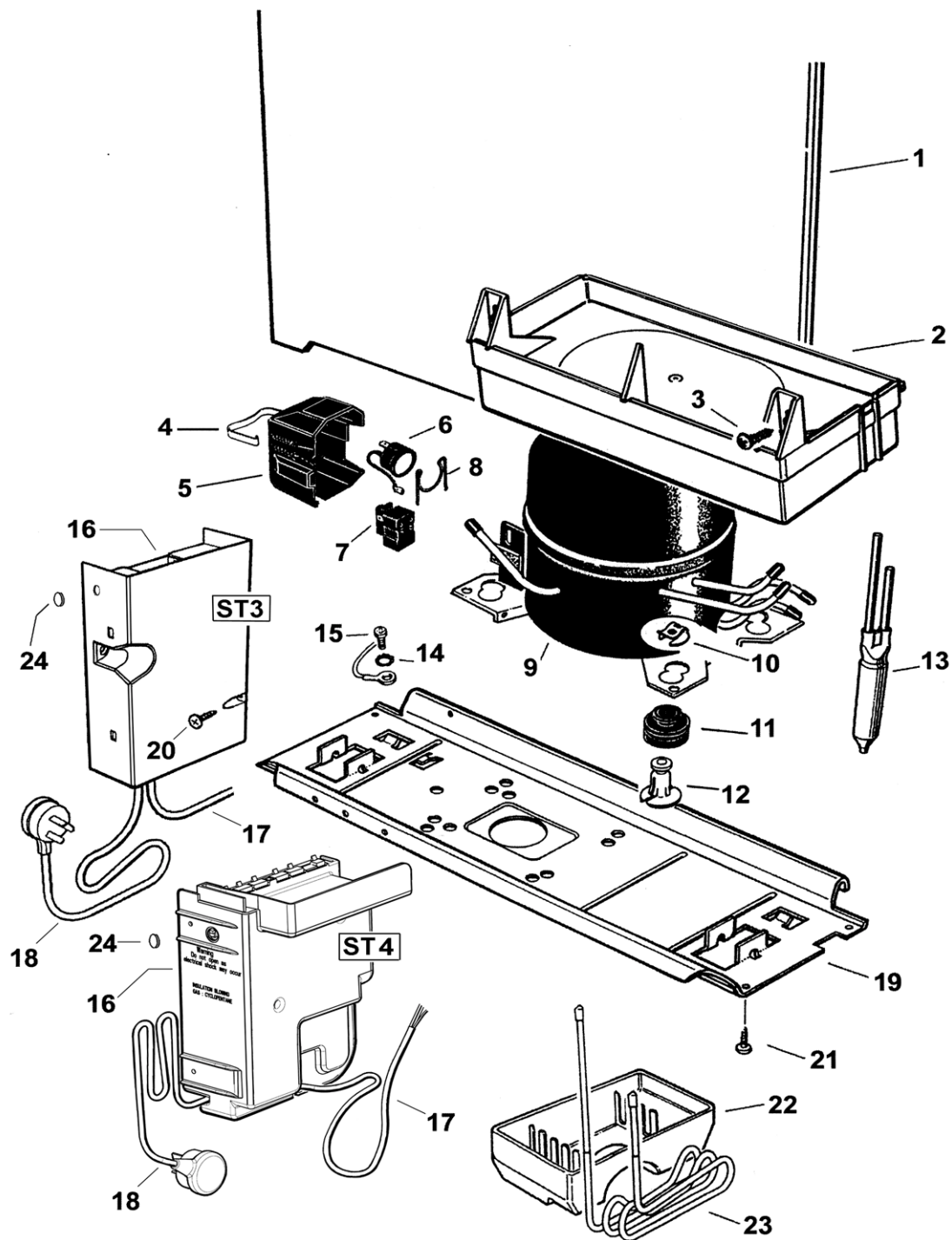
# ELECTRONIC MODULE AND DUCT COVERS



**ELECTRONIC MODULE AND DUCT COVERS**

<b>REF</b>	<b>PART</b>	<b>DESCRIPTION</b>	<b>MODEL</b>
1	880759	INSULATN COVR DUCT TOP T&H MOD	E411TL
	880759	INSULATN COVR DUCT TOP T&H MOD	E411TR
2	880733P	MODULE CONTRL ELEC-WITH BC ST3	
	881218P	MODULE DISPLAY ELEC-WTH BC ST4	
3	880779	GASKET CONTROL MODULE ELECTRON	
4	874720	LENS LED PRINTED ELECT WITH BC	
	874723	LENS LED PRINTED ELECT NON BC	
5	855203P	SENSOR KIT ASSY	
6	881336	COVER DUCT TOP B MODL HS MD GY	E402BL
	881336	COVER DUCT TOP B MODL HS MD GY	E402BR
	881325	COVR DUCT TOP T&H MOD HS MD GY	E411TL
	881325	COVR DUCT TOP T&H MOD HS MD GY	E411TR
7	SP0056P	SCREW 8X12 TAB PAN PH SS PKT10	
8	873950	INSULATION COVER DUCT LONG B	E402BL
	873950	INSULATION COVER DUCT LONG B	E402BR
	881012	INSULATION COVER DUCT LONG T	E411TL
	881012	INSULATION COVER DUCT LONG T	E411TR
9	880571	HTR PCB LO AMB T&H MODELS ST4	E411TL
	881482	HTR PCB LO AMB T&H MODELS ST3	E411TL
	880571	HTR PCB LO AMB T&H MODELS ST4	E411TR
	881482	HTR PCB LO AMB T&H MODELS ST3	E411TR
10	881191	COVER DUCT B MODEL LONG	E402BL
	881191	COVER DUCT B MODEL LONG	E402BR
	873583	COVER DUCT T MODEL LONG	E411TL
	873583	COVER DUCT T MODEL LONG	E411TR
11	880196	GRILLE WIDE-AIR RETURN B MODEL	E402BL
	880196	GRILLE WIDE-AIR RETURN B MODEL	E402BR
12	872833	INSULATION INSERT PLUG-IN 635B	E402BL
	872833	INSULATION INSERT PLUG-IN 635B	E402BR
13	880407	HEATER LOW AMBIENT B MODEL	E402BL
	880407	HEATER LOW AMBIENT B MODEL	E402BR

# COMPRESSOR AND POWER MODULE

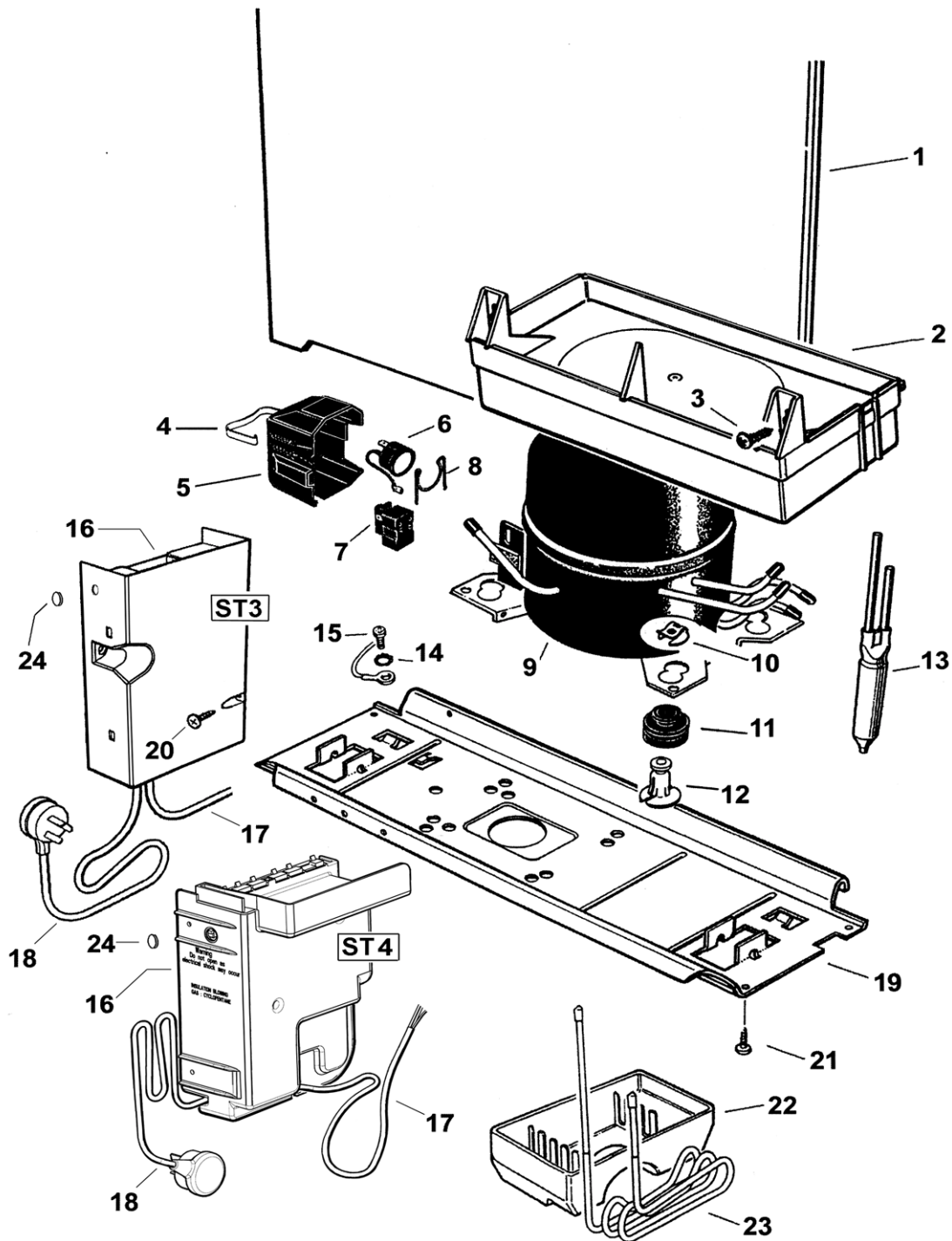




**COMPRESSOR AND POWER MODULE**

<b>REF</b>	<b>PART</b>	<b>DESCRIPTION</b>	<b>MODEL</b>
1	874881	PANEL BACK & CONDENSER ASSY	
2	872349	TRAY WATER EVAP TOP HAT MOULD	
	876653	TRAY WATER EVAPORATOR NOTCHED	
3	SP0201P	SCREW 8X12 PAN PH NIB PKT10	
4	209673#	CLAMP PROTECTOR COVER MAT	
5	209078	COVER PROTECTOR COMPRESSOR MAT	
	209995	PROTECTOR COVER EMBRACO	
6	209042	O/LOAD 189RHBYY FGS80	
	209082	O/LOAD MM3-22FCF	
7	209988	RELAY PTC D SERIES MM8-5DDT33M	
	209993	RELAY PTC EMBRACO 8EA 503	
8	209674	CLIP O/LOAD 01-246801	
9	209053P	COMPR EMB FGS80HAW 240V 50HZ	
	209042	<i>O/LOAD 189RHBYY FGS80</i>	
	209674	<i>CLIP O/LOAD 01-246801</i>	
	209993	<i>RELAY PTC EMBRACO 8EA 503</i>	
	209995	<i>PROTECTOR COVER EMBRACO</i>	
	209996	<i>RETAINER CABLE EMBRACO</i>	
	502173	<i>FILTER DRIER 12 GR DUAL BRAZED</i>	
	872838	<i>GROMMET COMPRESSOR MOUNTING</i>	
	209491P	COMPR MAT DB73C13R 240V 50HZ	
	209078	<i>COVER PROTECTOR COMPRESSOR MAT</i>	
	209082	<i>O/LOAD MM3-22FCF</i>	
	209673#	<i>CLAMP PROTECTOR COVER MAT</i>	
	209674	<i>CLIP O/LOAD 01-246801</i>	
	209988	<i>RELAY PTC D SERIES MM8-5DDT33M</i>	
	502173	<i>FILTER DRIER 12 GR DUAL BRAZED</i>	
	872838	<i>GROMMET COMPRESSOR MOUNTING</i>	
	209770P	COMPR EMB FGS70HAW 240V 60HZ	
	209674	<i>CLIP O/LOAD 01-246801</i>	
	209890	<i>O/LOAD COMPR 189NFBYY FGS70</i>	
	209993	<i>RELAY PTC EMBRACO 8EA 503</i>	
	209995	<i>PROTECTOR COVER EMBRACO</i>	
	209996	<i>RETAINER CABLE EMBRACO</i>	
	502173	<i>FILTER DRIER 12 GR DUAL BRAZED</i>	
	872838	<i>GROMMET COMPRESSOR MOUNTING</i>	

# COMPRESSOR AND POWER MODULE



**COMPRESSOR AND POWER MODULE**

<b>REF</b>	<b>PART</b>	<b>DESCRIPTION</b>	<b>MODEL</b>
10	855270	CLIP COMPRESSOR MOUNTING	
11	872838	GROMMET COMPRESSOR MOUNTING	
12	850265	PIN COMPRESSOR MOUNTING	
13	502173	FILTER DRIER 12 GR DUAL BRAZED	
14	900101	WASHER LOCK NO 10 EXT SP ZP	
15	900377	SCREW #8X32X8 TY T PAN PH ZP	
16	880815P	POWER & SWITCH MODULE 240V ST3	
	880817P	POWER & SWITCH MOD 240V BC ST3	
	881210P	MODULE POWER CONTL BC 240V ST4	
	881212P	MODULE POWER CONTROL 240V ST4	
17	871388	HARNESS COMPRESSOR 3 CORE ST3	
	871389	HARNESS COMPRESSOR 4 CORE ST3	
	881234	HARNESS COMPRESSOR 3 CORE ST4	
	881235	HARNESS COMPRESSOR 4 CORE ST4	
18	873354	CABLE MAIN 3 FLAT PIN 230V ST3	
	873356	CABLE MAIN 3PIN FUSED 230V ST3	
	881400	CABLE MAIN 3 FLAT PIN 230V ST4	
	881401	CABLE MAIN 3PIN FUSED 230V ST4	
	881402	CABLE MAINS 2PIN EURO 230V ST4	
19	878487	TRAY COMP MOUNTING 635	
20	880564	SCREW 7 X 20 RD HD NO 2 SQ DR	
21	901525	SCREW 8X16 PAN NIB STZP PHOS C	
22	873228	TRAY WATER OVERFLOW	
23	882775	TUBE HEATER SHEATHED 4.76MM	
24	875861	PLUG PLASTIC LT GY 14MM	
NI	207058	CAPACITOR RUN 4UF 400V ST3	
	207061	CAPACITOR RUN 20UF 250V ST4	
	207062	CAPACITOR RUN 4UF 400V ST4	
	209299	CAPACITOR RUN 20UF 250V ST3	
NI	880944	LABEL WIRING DIAGRAM ELECT ST3	
NI	874810	SUCTION & CAPILLY ASSY Y TAPE	E402BL
	874810	SUCTION & CAPILLY ASSY Y TAPE	E402BR
	875113	SUCTION & CAPILLY ASSY Y TAPE	E411TL
	875113	SUCTION & CAPILLY ASSY Y TAPE	E411TR



## NOTES

### CABINET TOP FREEZER

#### Notes

878582                      Only available as complete assembly please order part number 880820  
878583                      Only available as complete assembly please order part number 880820

### CABINET BOTTOM FREEZER

#### Notes

878582                      Only available as complete assembly please order part number 880820  
878583                      Only available as complete assembly please order part number 880820

### CABINET TOP & BOTTOM FREEZER

#### Technical Bulletins

883253P                      RF025

### FAN AND EVAPORATOR ASSEMBLIES

#### Technical Bulletins

880543                      RF008  
880544                      RF008  
880923                      RF008  
880955                      RF008  
882845                      RF021  
882956                      RF021



## REFRIGERATION ABBREVIATION KEY

### DESCRIPTION KEY

<b>PC</b>	<b>PROVISION COMPARTMENT</b>
<b>FC</b>	<b>FREEZER COMPARTMENT</b>
<b>HCL</b>	<b>HUMIDITY CONTROL LID</b>
<b>HC</b>	<b>HUMIDITY COMPARTMENT</b>
<b>HS</b>	<b>HOT STAMPED</b>
<b>X/RAIL</b>	<b>CROSS RAIL</b>
<b>BC</b>	<b>BUTTER CONDITIONER</b>
<b>BS</b>	<b>“B” SERIES CABINET</b>
<b>CH</b>	<b>CHARCOAL COLOUR</b>
<b>LT GY</b>	<b>LIGHT GREY COLOUR</b>
<b>MD GY</b>	<b>MID GREY COLOUR</b>
<b>DK GY</b>	<b>DARK GREY COLOUR</b>
<b>SATIN or SC</b>	<b>SATIN CHROME FINISH</b>
<b>S/STONE</b>	<b>SANDSTONE COLOUR</b>
<b>SS</b>	<b>STAINLESS STEEL</b>
<b>SL or SIL</b>	<b>SILVER</b>
<b>HAN P/C</b>	<b>HANDLE POWDER COATED</b>
<b>F&amp;P</b>	<b>FISHER &amp; PAYKEL</b>
<b>PUSHIN</b>	<b>PUSHIN TYPE GASKET</b>
<b>LH</b>	<b>LEFT HAND</b>
<b>RH</b>	<b>RIGHT HAND</b>
<b>LHT</b>	<b>LEFT HAND TOP</b>
<b>RHT</b>	<b>RIGHT HAND TOP</b>
<b>LHB</b>	<b>LEFT HAND BOTTOM</b>
<b>RHB</b>	<b>RIGHT HAND BOTTOM</b>
<b>SML</b>	<b>SMALL</b>
<b>DC</b>	<b>DIRECT CURRENT</b>
<b>10W</b>	<b>10 WATTS</b>
<b>12V</b>	<b>12 VOLTS</b>
<b>XH9</b>	<b>TYPE OF DESSICANT WITHIN A FILTER DRYER</b>
<b>M5</b>	<b>5 MILLIMETER</b>

## Free Manuals Download Website

<http://myh66.com>

<http://usermanuals.us>

<http://www.somanuals.com>

<http://www.4manuals.cc>

<http://www.manual-lib.com>

<http://www.404manual.com>

<http://www.luxmanual.com>

<http://aubethermostatmanual.com>

Golf course search by state

<http://golfingnear.com>

Email search by domain

<http://emailbydomain.com>

Auto manuals search

<http://auto.somanuals.com>

TV manuals search

<http://tv.somanuals.com>