

Electronic 680 Quantum Refrigerator / Freezer

Models

E440TL E440TR E442BL
E442BR

Series B



517728

PRODUCTS

Brand Fisher & Paykel

Voltage 220-240V 50Hz, 220V 60Hz+, 110-115v 60Hz*

Model **Code**

E440TL 11677 11685 11770 11799

E440TR 11676 11684 11700 11712 11771 11800 11811 11823 11827+
11840 12378*

E442BL 11679 11687 11772 11801

E442BR 11678 11686 11701 11713 11773 11802 11812 11824 11828+
11841 12377*

Fisher & Paykel Customer Services
PO Box 798
19 Enterprise St
Cleveland, Queensland 4163
Australia
Tel: (07) 3826 9122
Fax: (07) 3826 9164
Email: parts@fp.com.au
A.C.N 003 335 171

Fisher & Paykel Ltd
Whiteware Spare Parts
PO Box 14-148, Panmure.
80 Springs Rd, East Tamaki
New Zealand
Tel: (09) 272 0261
Fax: (09) 272 0219
Email: parts@fp.co.nz

CONTENTS

DOOR ASSEMBLIES TOP FREEZER.....	4
DOOR ASSEMBLIES BOTTOM FREEZER	8
CABINET TOP FREEZER.....	12
CABINET BOTTOM FREEZER.....	16
FAN AND EVAPORATOR ASSEMBLIES	20
ACTV SMART ST4 TERMINALS PLUGS & SOCKETS.....	24
ELECTRONIC MODULE AND DUCT COVERS	26
COMPRESSOR AND POWER MODULE	28
NOTES.....	33
REFRIGERATION ABBREVIATION KEY	35

GUIDE TO USING THIS MANUAL

The model(s) and/or series covered by this manual are listed on the front cover.

The information detailed in this manual is subject to change without notice, the latest version is indicated by the reprint date and replaces any earlier editions.

The front cover picture shows the type of product and may not necessarily be an exact image of the models covered by the manual.

Part References

Where a Model is shown, the part is exclusive to the Model(s) stated. Common parts relating to a part reference are applicable to all other Model(s) which use the particular item.

Kit Parts

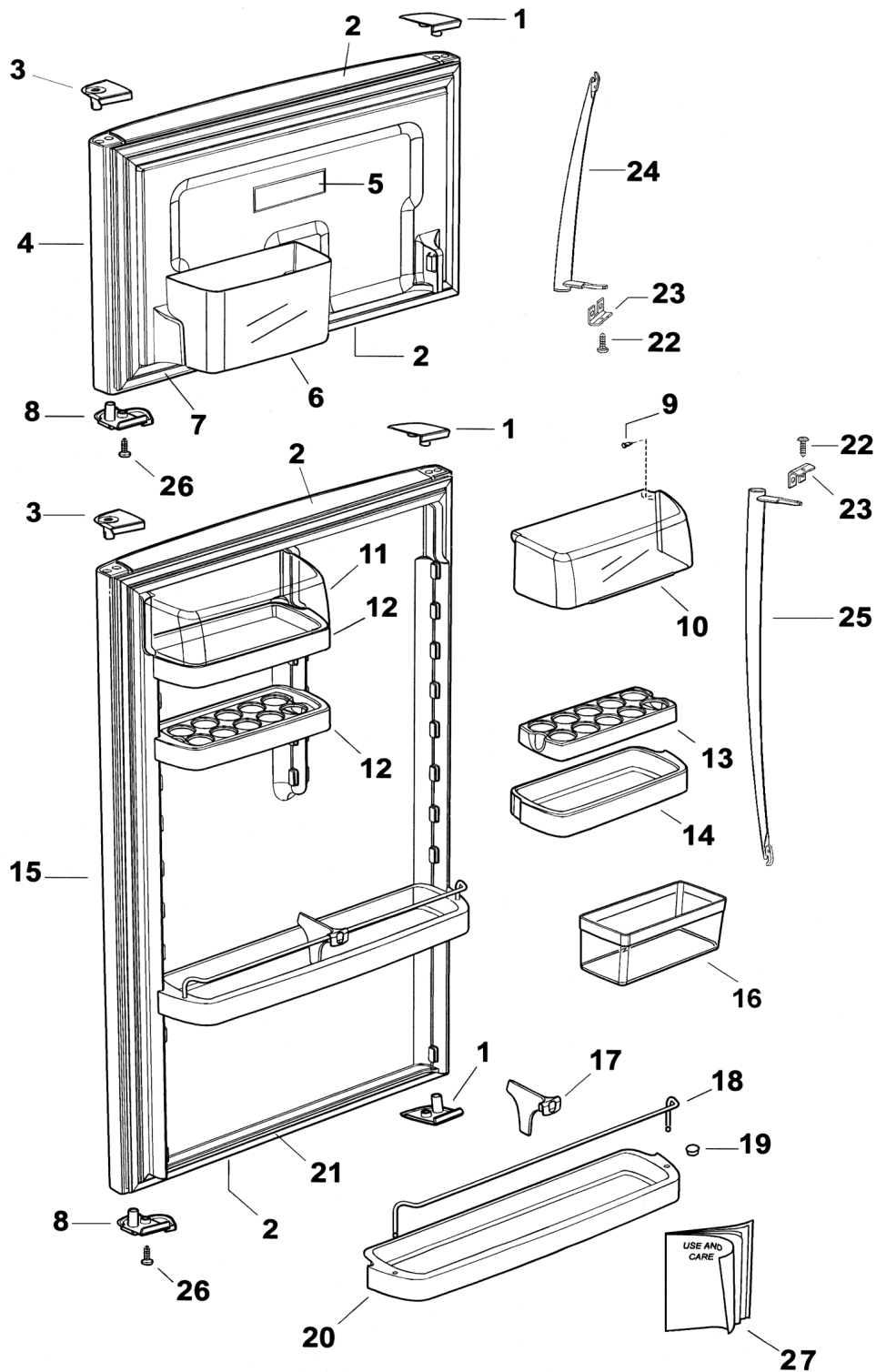
The components shown in *italics* are those parts in the kit which are available also as separate items. In addition, some parts may be supplied with this kit which are not available as separate items and are therefore not listed in this manual.

All details relating to Technical Bulletins or Notes are shown on a dedicated page. The Technical Bulletin Number shown relates to the bulletin version which is produced for New Zealand Service Centres.

Parts List Key

NOT USED	As a part, indicates the diagram part reference is not used in this manual.
#	Beside the part number, indicates the part is no longer available.
<i>italics</i>	Kit components shown in <i>italics</i> are also available separately.
*	Indicates a technical bulletin or note exists for the part or part reference.
NI	As a part reference, indicates the part is not illustrated on the diagram.

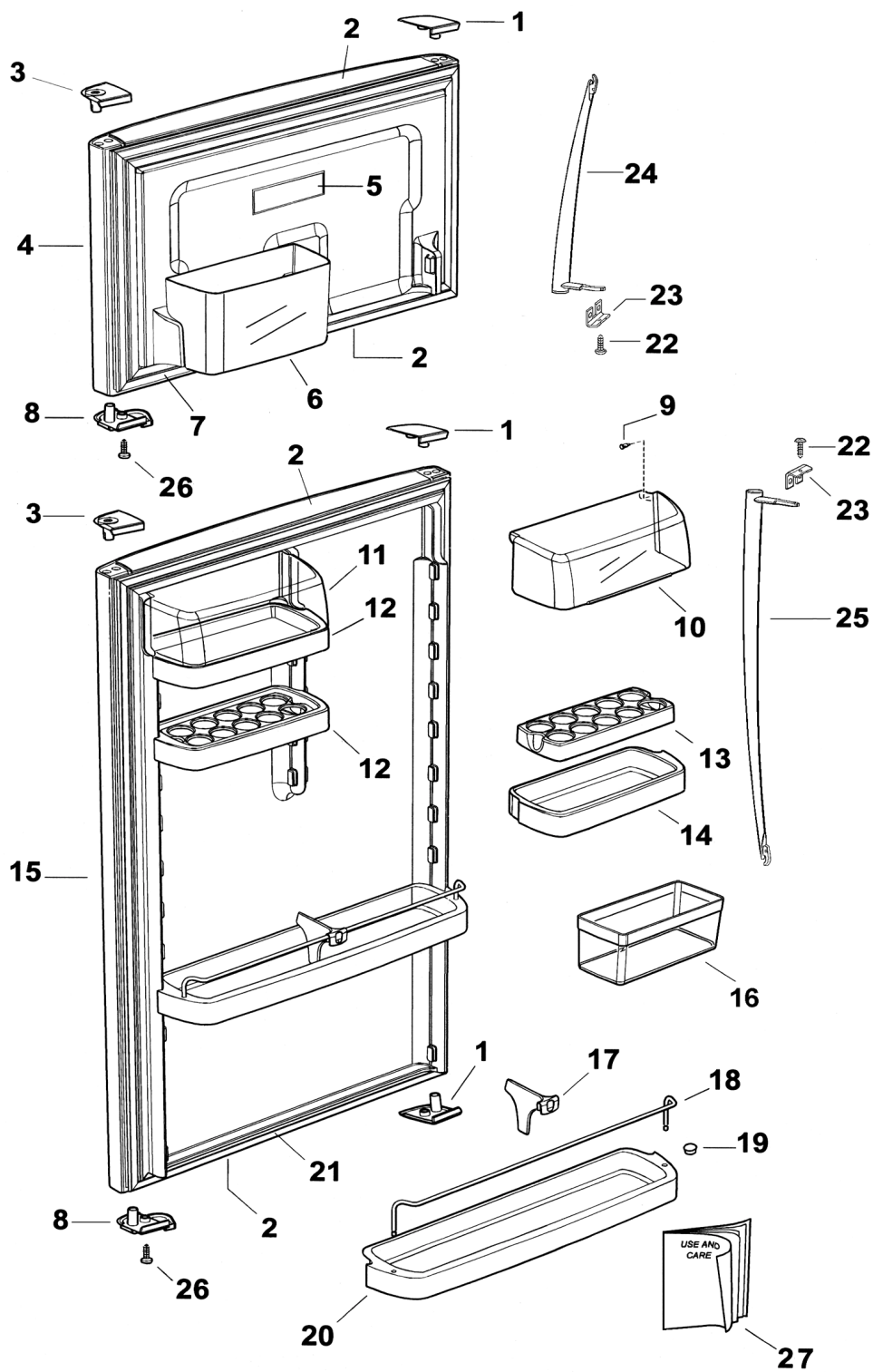
DOOR ASSEMBLIES TOP FREEZER



DOOR ASSEMBLIES TOP FREEZER

REF	PART	DESCRIPTION	MODEL
1	881350	COVER ENDCAP LHB RHT CH 680/790	
	881351	COVER ENDCAP LHT RHB CH 680/79	
2	881358	CAP DOOR END OUTER CH 680	
3	881348	BEARING HINGE LHB RHT CH 680/790	
	881349	BEARING HINGE LHT RHB CH 680/7	
4	* 315102P	DOOR ASSY FC SS CH CAP 680 RH	
		<i>877955 MAGNET DOOR SWITCH</i>	
		<i>881358 CAP DOOR END OUTER CH 680</i>	
	* 315103P	DOOR ASSY FC SS CH CAP 680 LH	
		<i>877955 MAGNET DOOR SWITCH</i>	
		<i>881358 CAP DOOR END OUTER CH 680</i>	
5	874706	LABEL FREEZER GUIDE BLU 55X150	
6	876507	BIN DOOR FC 635/680T MODEL	
7	882177P	GASKET FC MD GY PUSHIN 680X415	
8	881463	BEARING DR CLOSE RH CH 680/790	
	881464	BEARING DR CLOSE LH CH 680/790	
9	871123	PLUG/PIN HINGE DAIRY COVER	
10	882692	COVER COMP 680 RH MOULDED P42	
11	882691	COVER DOOR SHELF 680 LH	
12	882690	SHELF DOOR SMALL 680 LH	
13	882671	SHELF EGG RACK 680	
14	882689	SHELF DOOR SMALL 680 RH	
15	* 315077P	DOOR ASSY PC SS CH CAP 680 RH	
		<i>877955 MAGNET DOOR SWITCH</i>	
		<i>881358 CAP DOOR END OUTER CH 680</i>	
	* 315078P	DOOR ASSY PC SS CH CAP 680 LH	
		<i>877955 MAGNET DOOR SWITCH</i>	
		<i>881358 CAP DOOR END OUTER CH 680</i>	
16	871129	BIN EGG/ICE MOULD ALL BRANDS	
17	883121	DIVIDER BOTTLE RAIL WHITE	
	883146	DIVIDER BOTTLE RAIL HS Q SILVR	
18	881356	RAIL BOTTLE SUPPORT SC 680	
19	876281	PLUG DOOR SHELF WHITE	
20	881354	SHELF DOOR LGE HSM882688 Q 680	
	882688	SHELF DOOR LARGE WHITE 680	
21	882176P	GASKET PC MDGY PUSHIN 680X1172	
22	881044	SCREW #8X22 WAFER PHIL STZP	

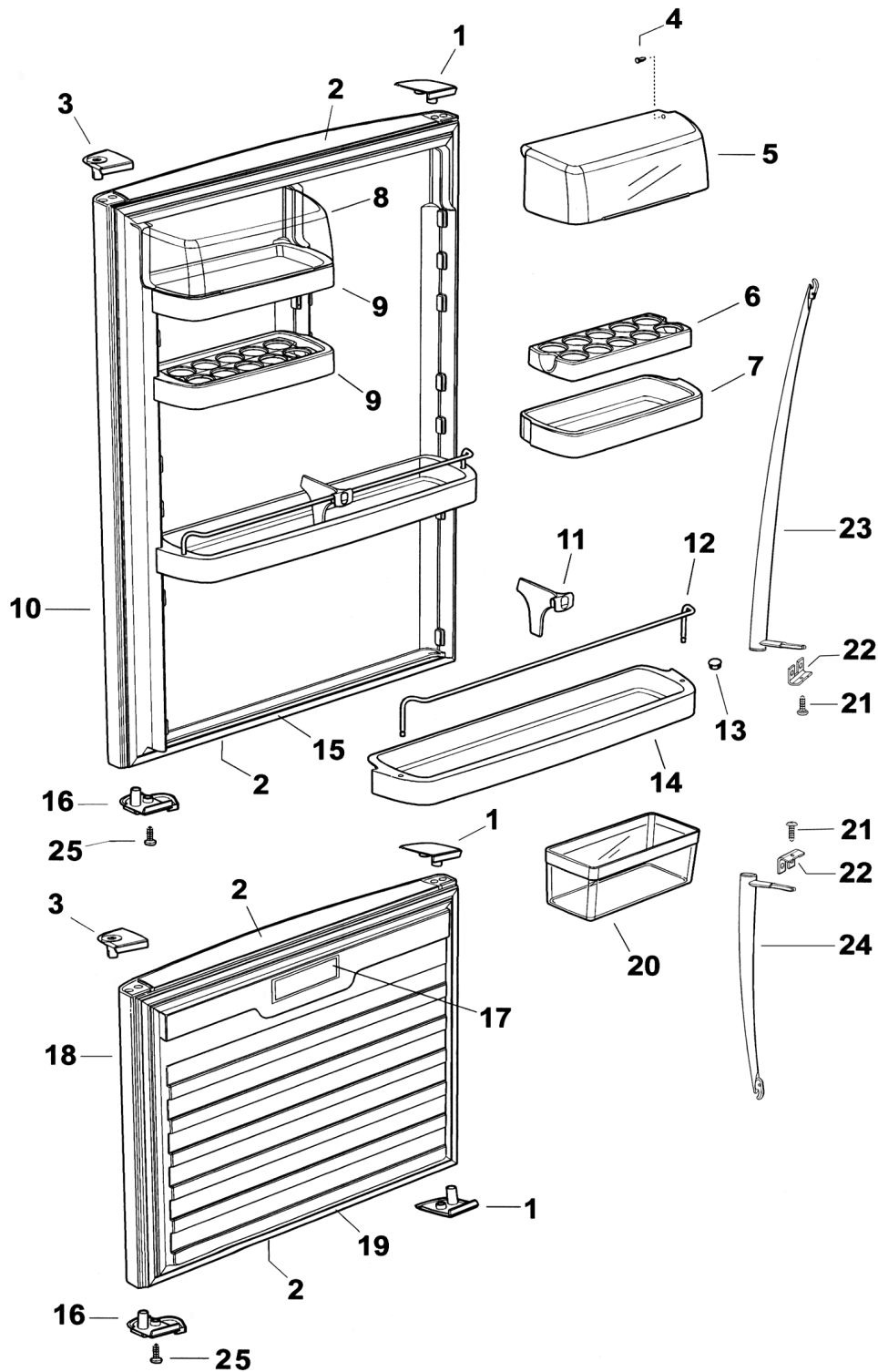
DOOR ASSEMBLIES TOP FREEZER



DOOR ASSEMBLIES TOP FREEZER

REF	PART	DESCRIPTION	MODEL
23	881391	PLATE HANDLE SUPPORT PLATED	
24	878985	HANDLE DR SS SHORT	
25	878984	HANDLE DR SS LONG	
26	871141	SCREW 8X25 PAN NIB PH ZNPL	
	881160	SCREW 8X3/4 PAN PH ST ZNPL	
27	881575	BOOKLET USE & CARE QUANTUM SS	
NI	479151	LEAFLET SMART CARE NZ	
NI	479186	LEAFLET SM/CARE WARRTY REG AUS	
NI	882163	LEAFLET UK PLUG REPLACEMENT	

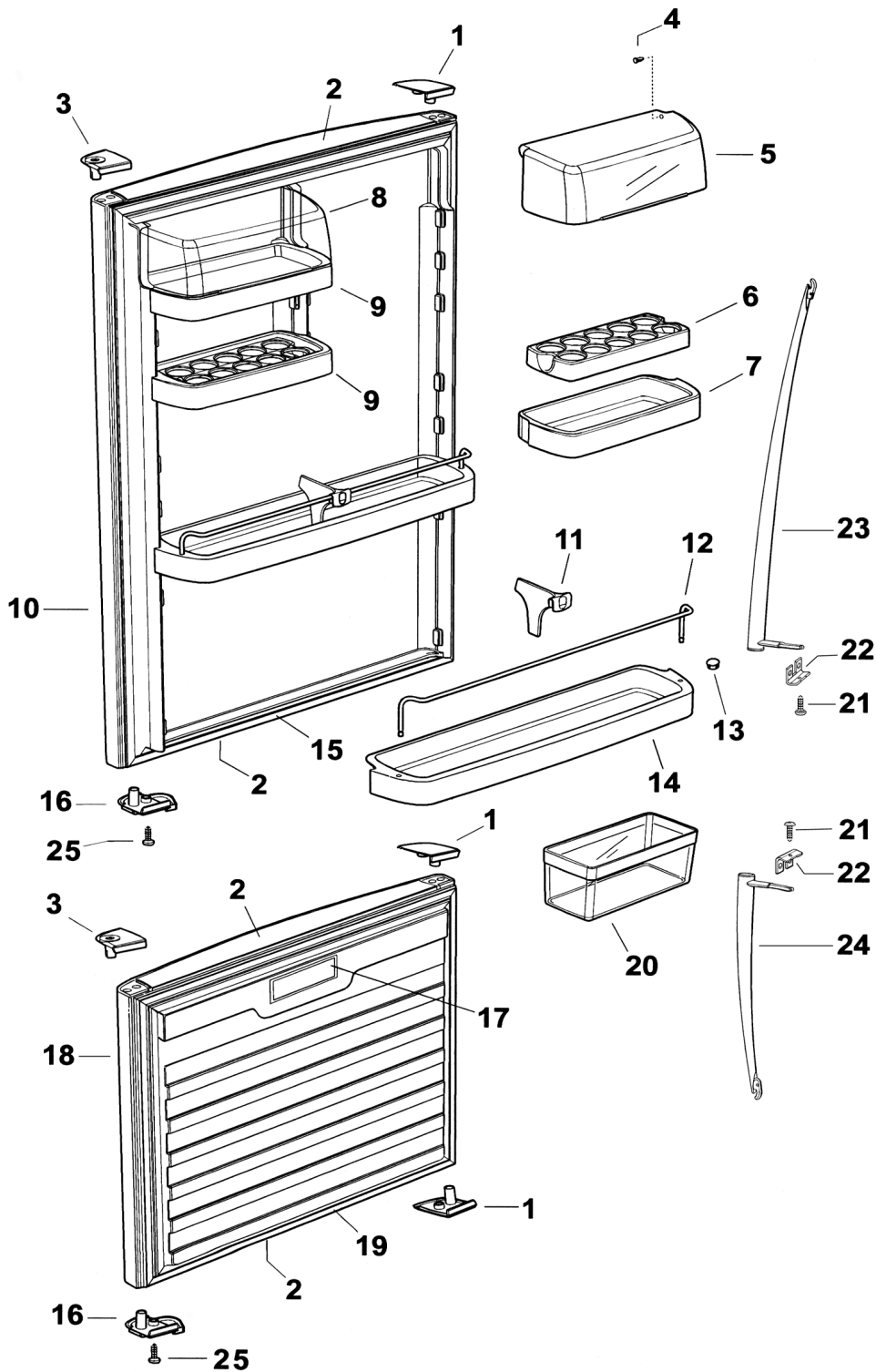
DOOR ASSEMBLIES BOTTOM FREEZER



DOOR ASSEMBLIES BOTTOM FREEZER

REF	PART	DESCRIPTION	MODEL
1	881350	COVER ENDCAP LHB RHT CH 680/790	
	881351	COVER ENDCAP LHT RHB CH 680/79	
2	881358	CAP DOOR END OUTER CH 680	
3	881348	BEARING HINGE LHB RHT CH 680/790	
	881349	BEARING HINGE LHT RHB CH 680/7	
4	871123	PLUG/PIN HINGE DAIRY COVER	
5	882692	COVER COMP 680 RH MOULDED P42	
6	882671	SHELF EGG RACK 680	
7	882689	SHELF DOOR SMALL 680 RH	
8	882691	COVER DOOR SHELF 680 LH	
9	882690	SHELF DOOR SMALL 680 LH	
10	* 315079P	DOOR ASSY PC SS CH CAP 680 RH	
		<i>877955 MAGNET DOOR SWITCH</i>	
		<i>881358 CAP DOOR END OUTER CH 680</i>	
	* 315099P	DOOR ASSY PC SS CH CAP 680 LH	
		<i>877955 MAGNET DOOR SWITCH</i>	
		<i>881358 CAP DOOR END OUTER CH 680</i>	
11	883121	DIVIDER BOTTLE RAIL WHITE	
	883146	DIVIDER BOTTLE RAIL HS Q SILVR	
12	881356	RAIL BOTTLE SUPPORT SC 680	
13	876281	PLUG DOOR SHELF WHITE	
14	881354	SHELF DOOR LGE HSM882688 Q 680	
	882688	SHELF DOOR LARGE WHITE 680	
15	882174P	GASKET PC MDGY PUSHIN 680X1001	
16	881463	BEARING DR CLOSE RH CH 680/790	
	881464	BEARING DR CLOSE LH CH 680/790	
17	874706	LABEL FREEZER GUIDE BLU 55X150	
18	* 315100P	DOOR ASSY FC SS CH CAP 680 RH	
		<i>877955 MAGNET DOOR SWITCH</i>	
		<i>881358 CAP DOOR END OUTER CH 680</i>	
	* 315101P	DOOR ASSY FC SS CH CAP 680 LH	
		<i>877955 MAGNET DOOR SWITCH</i>	
		<i>881358 CAP DOOR END OUTER CH 680</i>	
19	882175P	GASKET FC MD GY PUSHIN 680X585	
20	871129	BIN EGG/ICE MOULD ALL BRANDS	
21	881044	SCREW #8X22 WAFER PHIL STZP	
22	881391	PLATE HANDLE SUPPORT PLATED	

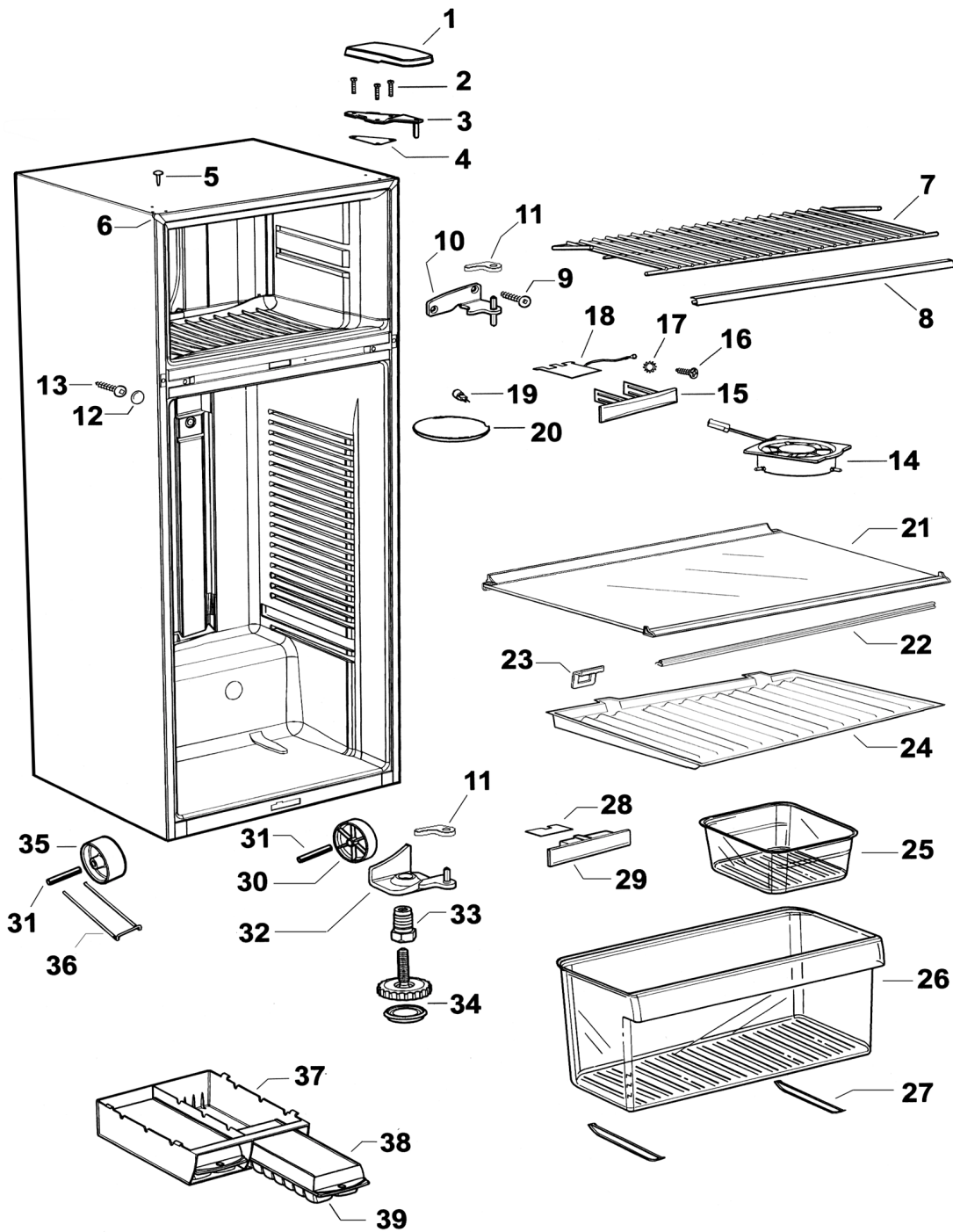
DOOR ASSEMBLIES BOTTOM FREEZER



DOOR ASSEMBLIES BOTTOM FREEZER

REF	PART	DESCRIPTION	MODEL
23	878984	HANDLE DR SS LONG	
24	878985	HANDLE DR SS SHORT	
25	871141	SCREW 8X25 PAN NIB PH ZNPL	
	881160	SCREW 8X3/4 PAN PH ST ZNPL	

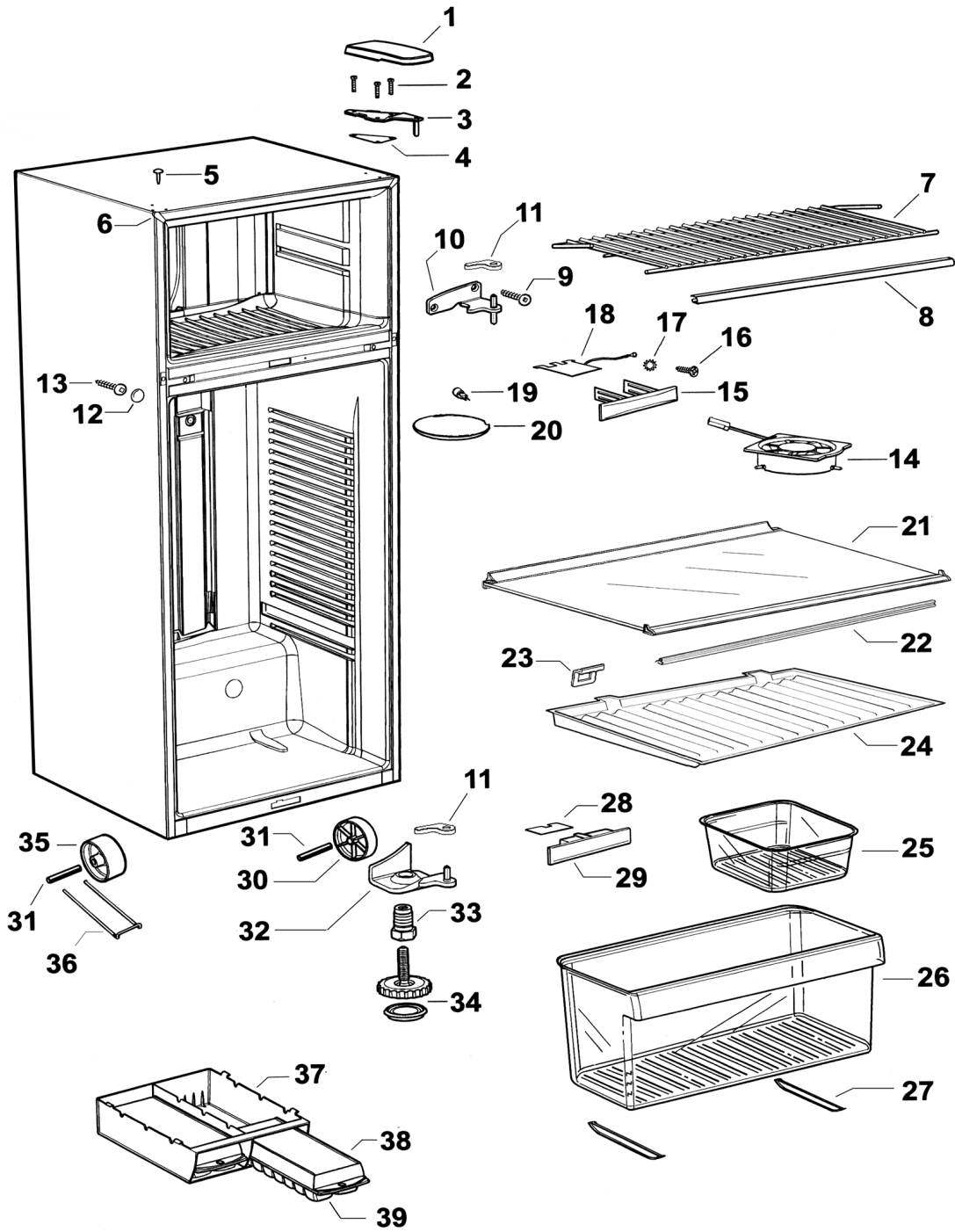
CABINET TOP FREEZER



CABINET TOP FREEZER

REF	PART	DESCRIPTION	MODEL
1	881314	COVER TOP HINGE CH	
2	610312	SCREW MC M5X20 HEX PH MS ZNPL	
3	880526	BRACKET TOP HINGE ASSY (PLATED)	
4	882355	GASKET TOP HINGE	
5	881244	PLUG TAPPED HOLE CHARCOAL	
6	881243	TRIM CORNER CHARCOAL	
7	877909	SHELF TOP FC WHITE 680	
8	882706	TRIM SHELF FCT 680 WHITE	
9	880656	SCREW 10GX25CSK SQ SS	
10	881283	BRACKET CTR HINGE RH PLATED	
	881286	BRACKET CTR HINGE LH PLATED	
11	881270	CAP DOOR CLOSING RH HINGE BRKT	
	881271	CAP DOOR CLOSING LH HINGE BRKT	
12	881295	CAP SCREW CROSS RAIL CHARCOAL	
13	880655	SCREW #10X19 AB #2 SQ ZN	
14	880820	FAN & HOUSING PC ASSY ST3	
		<i>872956 AMP HOUSING FEMALE 172233-1</i>	
		<i>878545 AMP PIN 16-20AWG 171680-1</i>	
	*	<i>878582 SPRING FAN SUSPENDED</i>	
	*	<i>878583 HOUSING FAN SUSPENDED</i>	
		<i>881147 MOTOR FAN ASSY DC SUSP PC ST3</i>	
	881438P	FAN & HOUSING PC ASSY ST4	
	*	<i>878582 SPRING FAN SUSPENDED</i>	
	*	<i>878583 HOUSING FAN SUSPENDED</i>	
		<i>881408 MOTOR FAN ASSY DC SUSP PC ST4</i>	
		<i>881592 MOLEX CAP FEMALE 51139-0200</i>	
		<i>881598 MOLEX PIN 20-26AWG 50600-8100 (20-26AWG)</i>	
15	880542	COVR REED SW CTR X/RAIL WH ST3	
	881420	COVER REED SW X/R & BTM WH ST4	
16	900475	SCREW 8X16.4MM SP PAN NIB ST	
17	900101	WASHER LOCK NO 10 EXT SP ZP	
18	880643P	SWITCH REED+HARN XTN X/RAIL ST3	
	* 883253P	SWITCH REED X/RAIL FIELD FIX KIT ST3	
	881223P	SWITCH REED FIELD FIX KIT ST4	
19	874017	LAMP HALOGEN PC 12VOLT/10W	
20	875318	COVER LAMP PC	

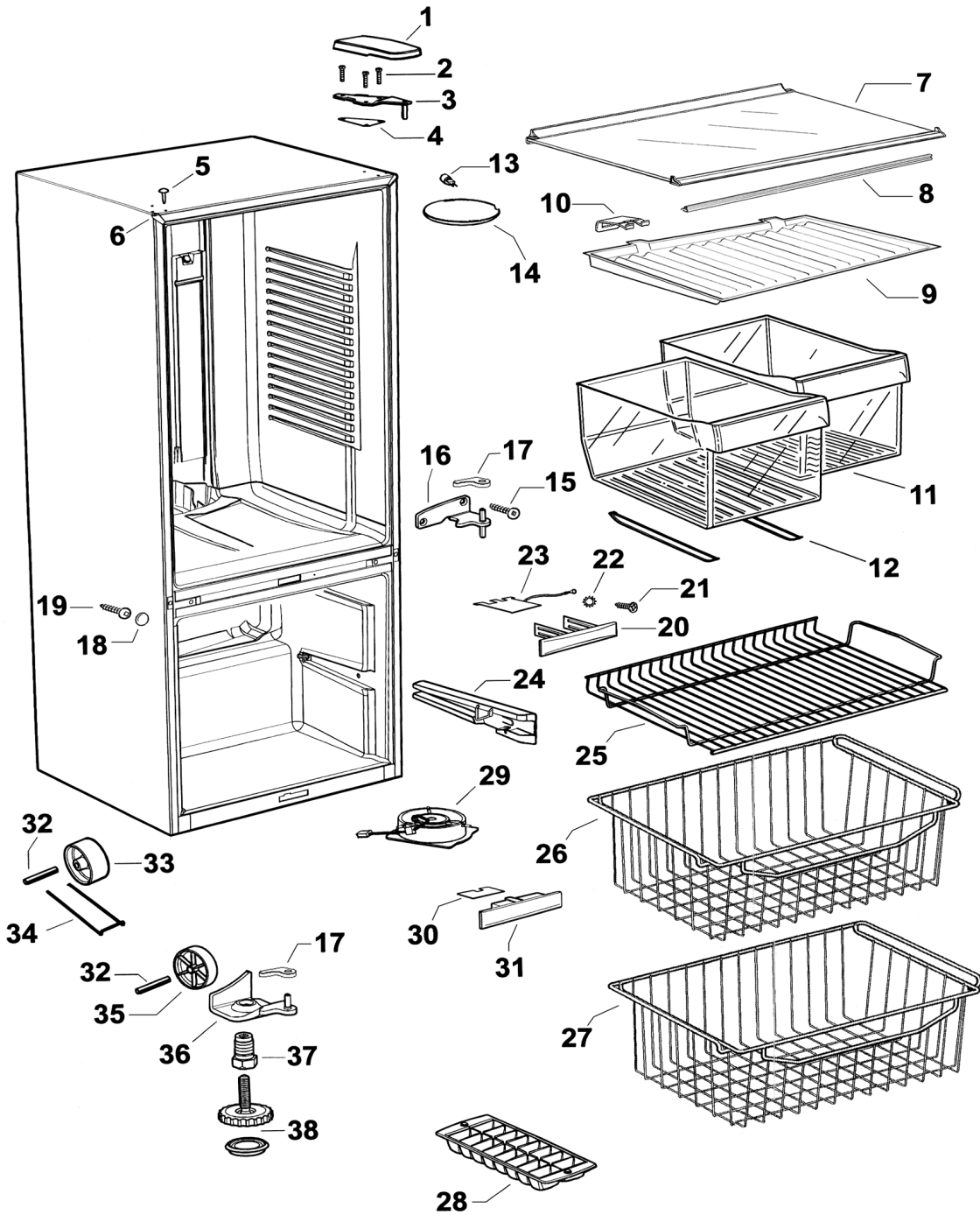
CABINET TOP FREEZER



CABINET TOP FREEZER

REF	PART DESCRIPTION	MODEL
21	881298 SHELF GLASS PC SC ASSY 680	
	881253 <i>SHELF GLASS PC 680</i>	
	881256 <i>EXTRUSN FRT GLASS SHELF SC 680</i>	
	881259 <i>EXTRUSN REAR GLAS SHELF SC 680</i>	
	881261 <i>PLUG REAR EXTRUSN RH ALL MODLS</i>	
	881262 <i>PLUG REAR EXTRUSN LH ALL MODLS</i>	
	881302 <i>PLUG FRONT EXTRUSN RH 680/790</i>	
	881303 <i>PLUG FRONT EXTRUSN LH 680/790</i>	
22	881265 EXTRUSION HCL SUPPORT 635/680	
23	881269 BRACKET HCL SUPPORT T GL SH	
24	881300 LID HUMIDITY CONTROL T 635/680	
25	876538 TRAY CRISPER 'T' 635	
26	876537 BIN CRISPER 635/680 T MODEL	
27	882352 FOOT RUNNER CRISP 'T' 790	
28	880657P SWITCH REED BASE PANEL ST3	
	881223P SWITCH REED FIELD FIX KIT ST4	
29	881296 COVR REED SWITCH B/PANL CH ST3	
	881422 COVR REED SWITCH B/PANL CH ST4	
30	871132 FOOT ROLLER	
31	871017 PIN ROLLER PLATED	
32	881274 BRACKET BTM HINGE RH PLATED	
	881277 BRACKET BTM HINGE LH PLATED	
33	880959 BOLT BOTTOM HINGE BRACKET	
34	880512 FOOT LEVELLING ASSEMBLY	
	880519 <i>BASE LEVELLING FOOT</i>	
35	880545 ROLLER FOOT	
36	871041 CLIP ROLLER	
37	872963 TRAY ICE HOLDER	
38	874108 TRAY ICE LID	
39	874107 TRAY ICE BASE	

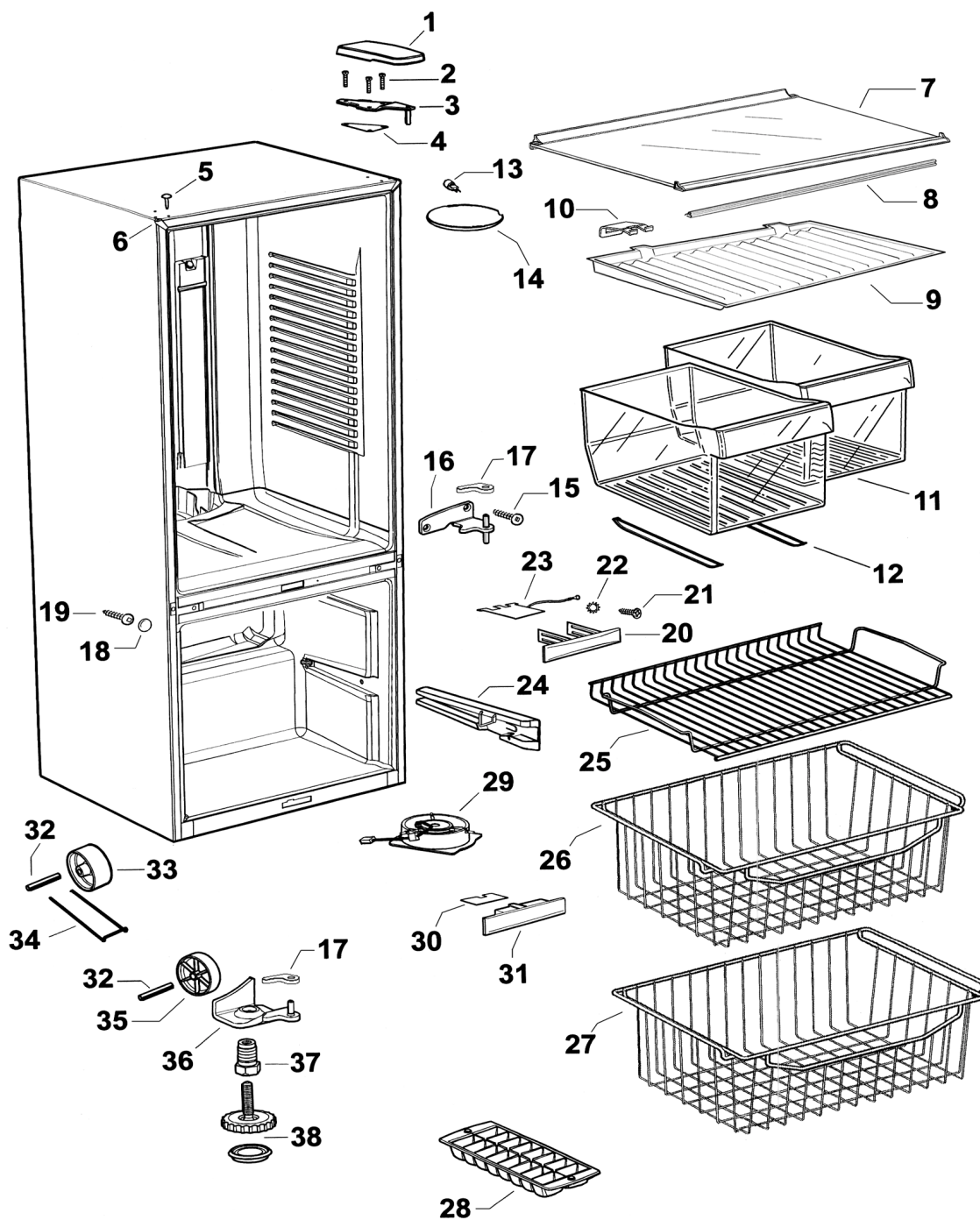
CABINET BOTTOM FREEZER



CABINET BOTTOM FREEZER

REF	PART	DESCRIPTION	MODEL
1	881314	COVER TOP HINGE CH	
2	610312	SCREW MC M5X20 HEX PH MS ZNPL	
3	880526	BRACKET TOP HINGE ASSY (PLATED)	
4	882355	GASKET TOP HINGE	
5	881244	PLUG TAPPED HOLE CHARCOAL	
6	881243	TRIM CORNER CHARCOAL	
7	881298	SHELF GLASS PC SC ASSY 680	
		<i>881253 SHELF GLASS PC 680</i>	
		<i>881256 EXTRUSN FRT GLASS SHELF SC 680</i>	
		<i>881259 EXTRUSN REAR GLAS SHELF SC 680</i>	
		<i>881261 PLUG REAR EXTRUSN RH ALL MODLS</i>	
		<i>881262 PLUG REAR EXTRUSN LH ALL MODLS</i>	
		<i>881302 PLUG FRONT EXTRUSN RH 680/790</i>	
		<i>881303 PLUG FRONT EXTRUSN LH 680/790</i>	
8	881265	EXTRUSION HCL SUPPORT 635/680	
9	881301	LID HUMIDITY CONTROL B 635/680	
10	881268	BRACKET HCL SUPPORT B MODEL	
11	876536	BIN CRISPER B MODEL 635/680	
12	875287	FOOT CRISPER RUNNER B	
13	874017	LAMP HALOGEN PC 12VOLT/10W	
14	875318	COVER LAMP PC	
15	880656	SCREW 10GX25CSK SQ SS	
16	881283	BRACKET CTR HINGE RH PLATED	
	881286	BRACKET CTR HINGE LH PLATED	
17	881270	CAP DOOR CLOSING RH HINGE BRKT	
	881271	CAP DOOR CLOSING LH HINGE BRKT	
18	881295	CAP SCREW CROSS RAIL CHARCOAL	
19	880655	SCREW #10X19 AB #2 SQ ZN	
20	880542	COVR REED SW CTR X/RAIL WH ST3	
	881420	COVER REED SW X/R & BTM WH ST4	
21	900475	SCREW 8X16.4 MM SP PAN NIB ST	
22	900101	WASHER LOCK NO 10 EXT SP ZP	
23	880643P	SWITCH REED+HARN XTN X/RAIL ST3	
	* 883253P	SWITCH REED X/RAIL FIELD FIX KIT ST3	
	881223P	SWITCH REED FIELD FIX KIT ST4	

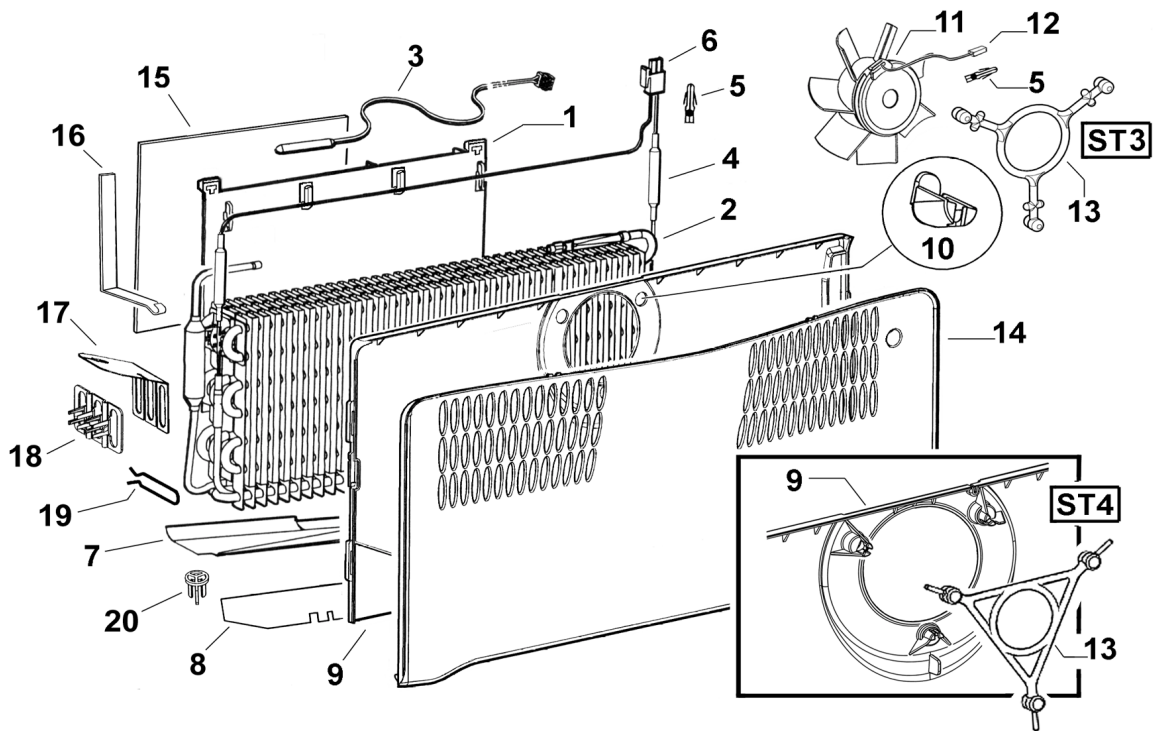
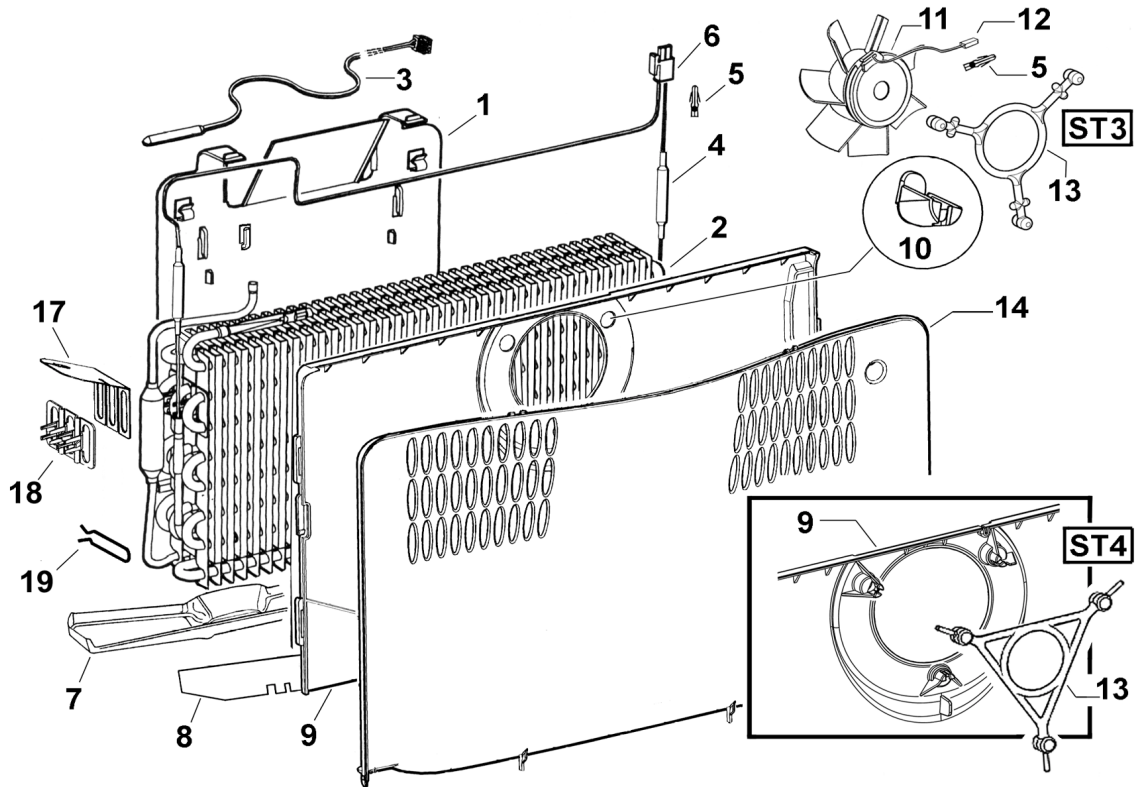
CABINET BOTTOM FREEZER



CABINET BOTTOM FREEZER

REF	PART	DESCRIPTION	MODEL
24	871145	RUNNER FC BASKET ASSY B RH	
		<i>855143 WHEEL BASKET SUPPORT B VF</i>	
		<i>901323 PIN FC BASKET RUNNER</i>	
	871146	RUNNER FC BASKET ASSY B LH	
		<i>855143 WHEEL BASKET SUPPORT B VF</i>	
		<i>901323 PIN FC BASKET RUNNER</i>	
25	877929	SHELF FC 680 B MODEL 579X361	
26	877935	BASKET FC TOP WHITE MODL 680B	
27	877932	BASKET FC BTM WHITE MODL 680B	
28	874107	TRAY ICE BASE	
29	880820	FAN & HOUSING PC ASSY ST3	
		<i>872956 AMP HOUSING FEMALE 172233-1</i>	
		<i>878545 AMP PIN 16-20AWG 171680-1</i>	
	*	<i>878582 SPRING FAN SUSPENDED</i>	
	*	<i>878583 HOUSING FAN SUSPENDED</i>	
		<i>881147 MOTOR FAN ASSY DC SUSP PC ST3</i>	
	881438P	FAN & HOUSING PC ASSY ST4	
	*	<i>878582 SPRING FAN SUSPENDED</i>	
	*	<i>878583 HOUSING FAN SUSPENDED</i>	
		<i>881408 MOTOR FAN ASSY DC SUSP PC ST4</i>	
		<i>881592 MOLEX CAP FEMALE 51139-0200</i>	
		<i>881598 MOLEX PIN 20-26AWG 50600-8100 (20-26AWG)</i>	
30	880657P	SWITCH REED BASE PANEL ST3	
	881223P	SWITCH REED FIELD FIX KIT ST4	
31	881296	COVR REED SWITCH B/PANL CH ST3	
	881422	COVR REED SWITCH B/PANL CH ST4	
32	871017	PIN ROLLER PLATED	
33	871132	FOOT ROLLER	
34	871041	CLIP ROLLER	
35	880545	ROLLER FOOT	
36	881274	BRACKET BTM HINGE RH PLATED	
	881277	BRACKET BTM HINGE LH PLATED	
37	880959	BOLT BOTTOM HINGE BRACKET	
38	880512	FOOT LEVELLING ASSEMBLY	
		<i>880519 BASE LEVELLING FOOT</i>	

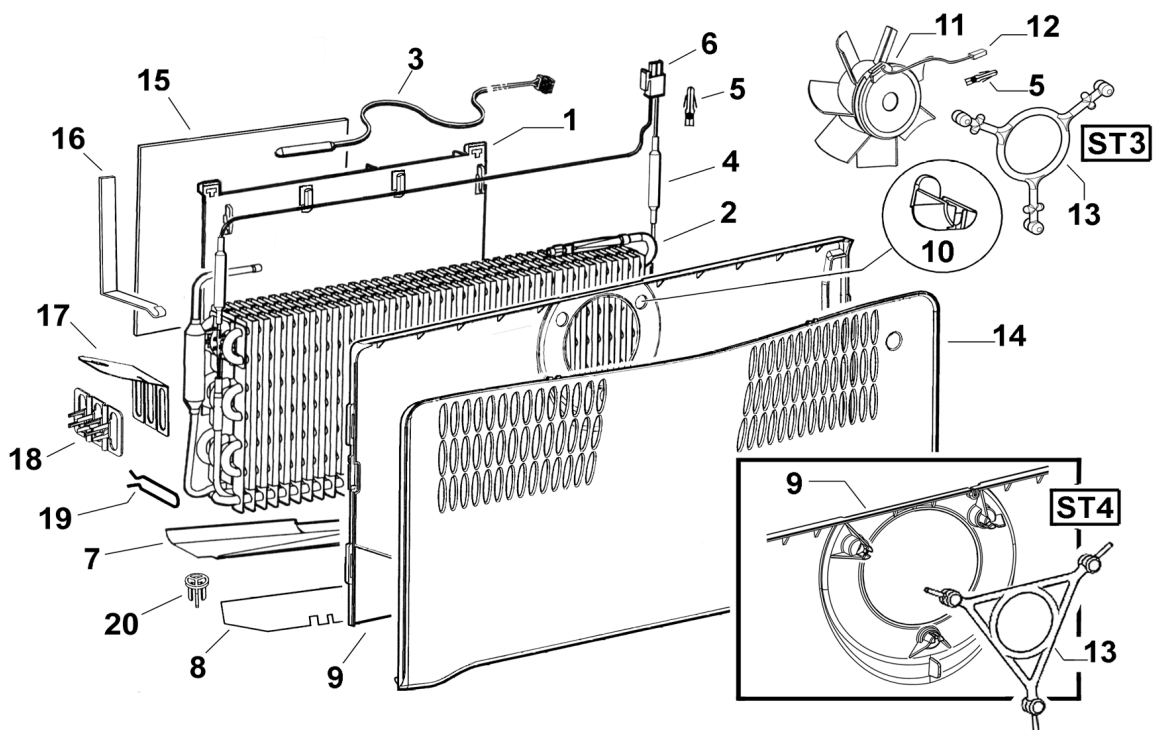
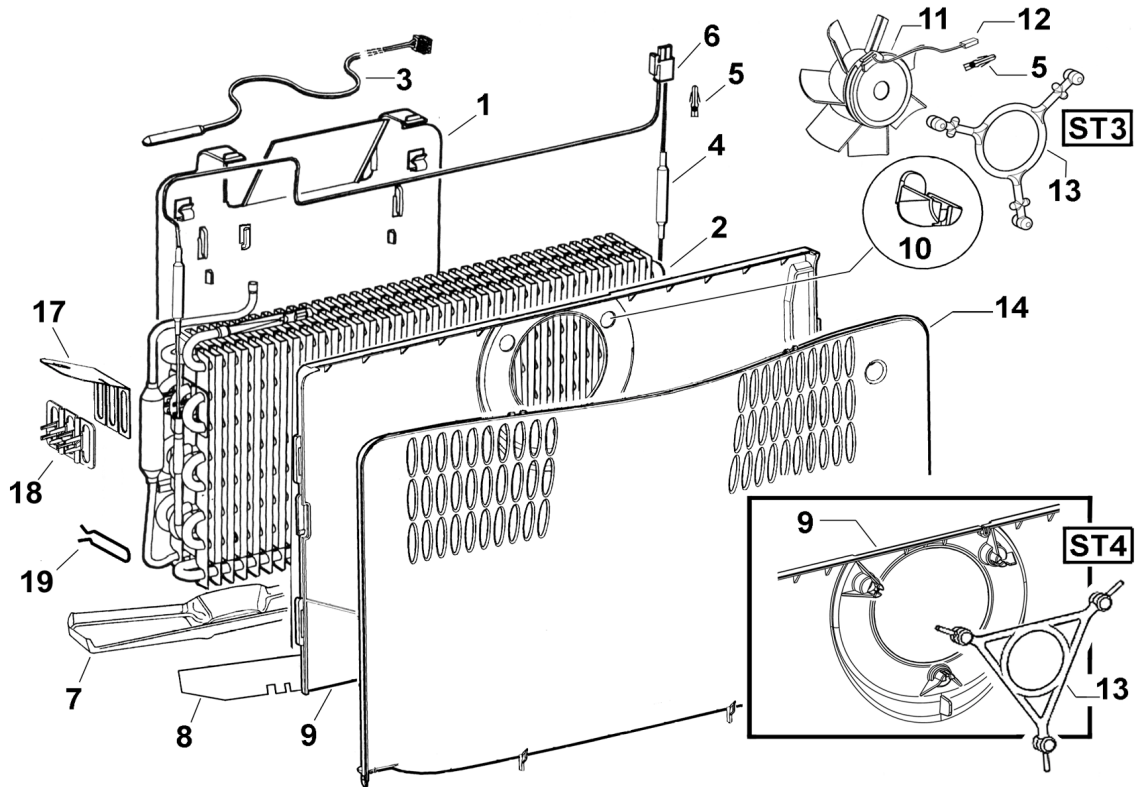
FAN AND EVAPORATOR ASSEMBLIES



FAN AND EVAPORATOR ASSEMBLIES

REF	PART	DESCRIPTION	MODEL
1	880495	CHASSIS EVAP ELECT 635/680T	E440TL
	880495	CHASSIS EVAP ELECT 635/680T	E440TR
	874109	CHASSIS EVAP ELECT 635/680B	E442BL
	874109	CHASSIS EVAP ELECT 635/680B	E442BR
2	872947	EVAP SERV KIT 680T 240V ST3	
	872948	EVAP SERV KIT 680B 240V ST3	
	881432P	EVAP SERV KIT 680T 240V ST4	
	881433P	EVAP SERV KIT 680B 240V ST4	
	881430P	EVAP SERV KIT 680T 110V ST4	
	881431P	EVAP SERV KIT 680B 110V ST4	
3	855203P	SENSOR KIT ASSY	
4	874170	HEATER DEF ASSY 680 ST3 240V	
		<i>872957 AMP SKT 16-20AWG 171639-1</i>	
		<i>873988 PLUG 2WAY HSG AMP MATE-N-LOK</i>	
	881413P	HEATER DEF ASSY 680 ST4 240V	
		<i>881592 MOLEX CAP FEMALE 51139-0200</i>	
		<i>881593 MOLEX PLUG MALE 51138-0200</i>	
		<i>881594 MOLEX RETAINER 51140-0205</i>	
		<i>881595 MOLEX SKT 16-22AWG 50597-8100 (16-22AWG)</i>	
		<i>881597 MOLEX PIN 16-22AWG 50599-8100 (16-22AWG)</i>	
	881412P	HEATER DEF ASSY 680 ST4 110V	
		<i>881592 MOLEX CAP FEMALE 51139-0200</i>	
		<i>881593 MOLEX PLUG MALE 51138-0200</i>	
		<i>881594 MOLEX RETAINER 51140-0205</i>	
		<i>881595 MOLEX SKT 16-22AWG 50597-8100 (16-22AWG)</i>	
		<i>881597 MOLEX PIN 16-22AWG 50599-8100 (16-22AWG)</i>	
5	872957	AMP SKT 16-20AWG 171639-1	
6	873988	PLUG 2WAY HSG AMP MATE-N-LOK	
7	877966	SHIELD DRAIN HTR DEFROST 680T	E440TL
	877966	SHIELD DRAIN HTR DEFROST 680T	E440TR
	880637	SHIELD DRAIN HTR DEFROST 680B	E442BL
	880637	SHIELD DRAIN HTR DEFROST 680B	E442BR
8	880691	SHEILD FC COVER 680	
9	* 880954	COVER FAN FC REAR 680	
	* 882844	COVER ASSY FAN FC REAR 680	
10	* 880543	CLIP FAN SUSPENDED FC LONG TOP	
	* 880544	CLIP FAN SUSPEND FC SHORT BTM	

FAN AND EVAPORATOR ASSEMBLIES



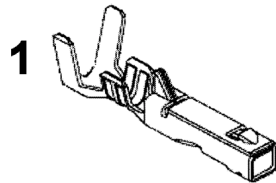
FAN AND EVAPORATOR ASSEMBLIES

REF	PART	DESCRIPTION	MODEL
11	* 880923	MOTOR ASSY FAN FC SUSP 12V ST3	
		<i>872956 AMP HOUSING FEMALE 172233-1</i>	
		<i>878545 AMP PIN 16-20AWG 171680-1</i>	
	881409P	MOTOR ASSY FAN FC SUSP 12V ST4	
		<i>881409 MOTOR ASSY FAN FC SUSP 12V ST4</i>	
		<i>881592 MOLEX CAP FEMALE 51139-0200</i>	
		<i>881598 MOLEX PIN 20-26AWG 50600-8100 (20-26AWG)</i>	
12	872956	AMP HOUSING FEMALE 172233-1	
13	880952	SPRING FAN SUSPENEDED FC	
	* 882956	SPRING FAN SUSPD FC TRIANGULAR	
14	878934	COVER FAN FRONT FC 680 T	E440TL
14	878934	COVER FAN FRONT FC 680 T	E440TR
	878933	COVER FAN FRONT FC 680 B	E442BL
	878933	COVER FAN FRONT FC 680 B	E442BR
15	880423	DEFLECTOR CHASSIS 635/680	E442BL
	880423	DEFLECTOR CHASSIS 635/680	E442BR
16	880585	CLIP CHASSIS HEATER B MODEL	
17	880724	DEFLECTOR AIR FLOW	
18	871463	CLIP TUBE EVAP PLASTIC	
19	855299	CLIP HEATER 20MM EVAP FIN	E442BL
	855299	CLIP HEATER 20MM EVAP FIN	E442BR
20	876771	FILTER 'P' CATCHER DRAIN	E442BL
	876771	FILTER 'P' CATCHER DRAIN	E442BR

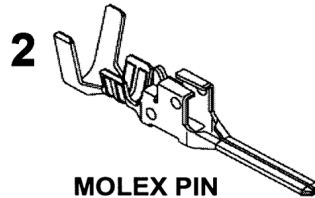
ACTV SMART ST4 TERMINALS PLUGS & SOCKETS

ACTIVE SMART STAGE 4

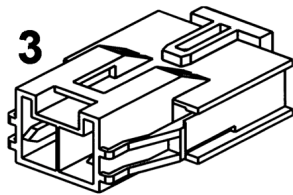
TERMINALS, PLUGS AND SOCKETS



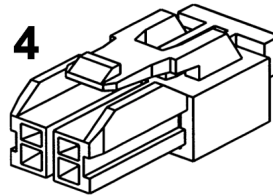
MOLEX SKT



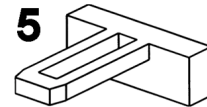
MOLEX PIN



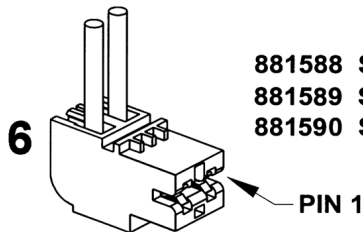
MOLEX CAP FEMALE



MOLEX PLUG MALE



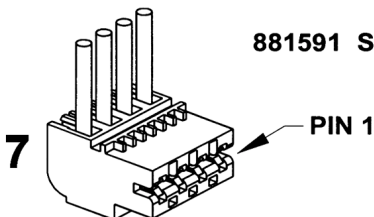
MOLEX RETAINER



881588 STOCKO 9290-02-AB01-000-960 (Mains cord)
 881589 STOCKO 9290-02-BA01-000-960 (Defrost Heater)
 881590 STOCKO 9290-02-EE01-000-960 (Run Capacitor)

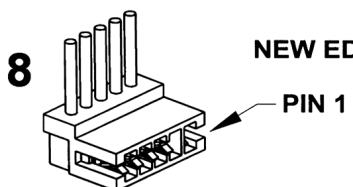
PIN 1

NOTE THAT IN THE PART NAMES OF THESE CONNECTORS, THE -02- REFERS TO IT BEING A 2 WAY CONNECTOR, AND THE -AB01- (FOR EXAMPLE) REFERS TO THE CODING OF THE CONNECTOR. STOCKO IS THE MANUFACTURER OF THESE CONNECTORS.



881591 STOCKO 9290-04-EF02-000-960
 (COMPRESSOR CABLE)

PIN 1



NEW EDGE CONNECTOR SERIES WITH INTERNAL CODING –
 NOTE THE WALL.

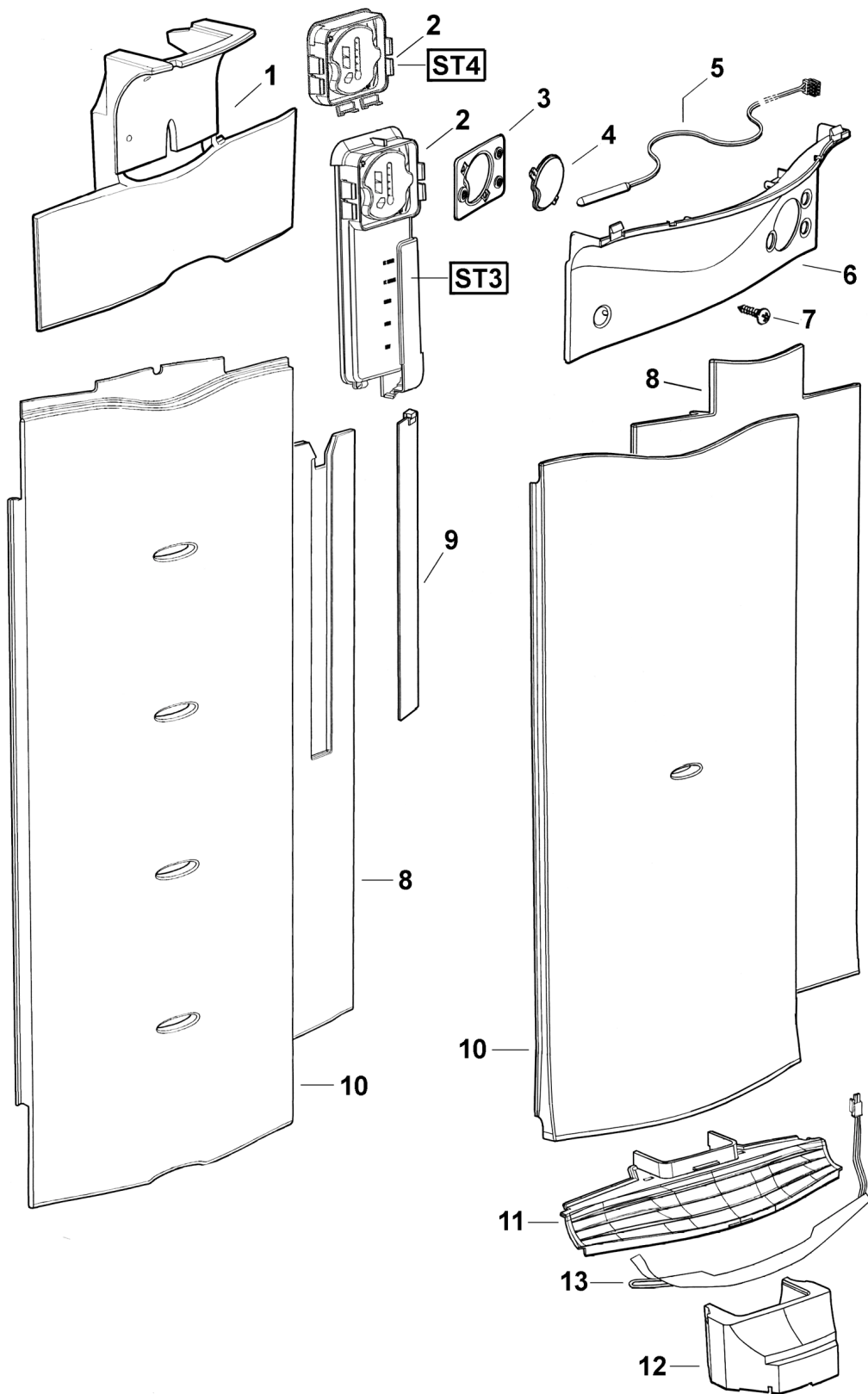
PIN 1

NOTE: TO MINIMISE THE NUMBER OF SPARE PARTS THAT NEED TO BE CARRIED, THESE CODED CONNECTORS ARE TO BE REPLACED WITH THEIR UN-CODED EQUIVALENTS. FOR THE 3, 5 AND 6 WAY CONNECTORS USED ON STAGE 4 CABINETS

ACTV SMART ST4 TERMINALS PLUGS & SOCKETS

REF	PART	DESCRIPTION	MODEL
1	881595	MOLEX SKT 16-22AWG 50597-8100 (16-22AWG)	
	881596	MOLEX SKT 20-26AWG 50598-8100 (20-26AWG)	
2	881597	MOLEX PIN 16-22AWG 50599-8100 (16-22AWG)	
	881598	MOLEX PIN 20-26AWG 50600-8100 (20-26AWG)	
3	881592	MOLEX CAP FEMALE 51139-0200	
4	881593	MOLEX PLUG MALE 51138-0200	
5	881594	MOLEX RETAINER 51140-0205	
6	881588	STOCKO 9290-02-AB01-000-960 (MAINS CORD)	
	881589	STOCKO 9290-02-BA01-960 (DEFROST HEATER)	
	881590	STOCKO 9290-02-EE01-000-960 (RUN CAP)	
7	881591	STOCKO 9290-04-EF02-000-960 (COMP CABLE)	
8	873243	STOCKO 7234-012-500-450	
	873247	STOCKO 7234-006-500-450	
	873248	STOCKO 7234-010-500-450	
	873250	STOCKO 7234-004-500-450	
	873251	STOCKO 7234-003-500-450	
	873279	STOCKO 7234-008-500-450	
	881135	STOCKO 7234-005-500-450	
	881136	STOCKO 7234-014-500-450	
	881137	STOCKO 7234-017-500-450	

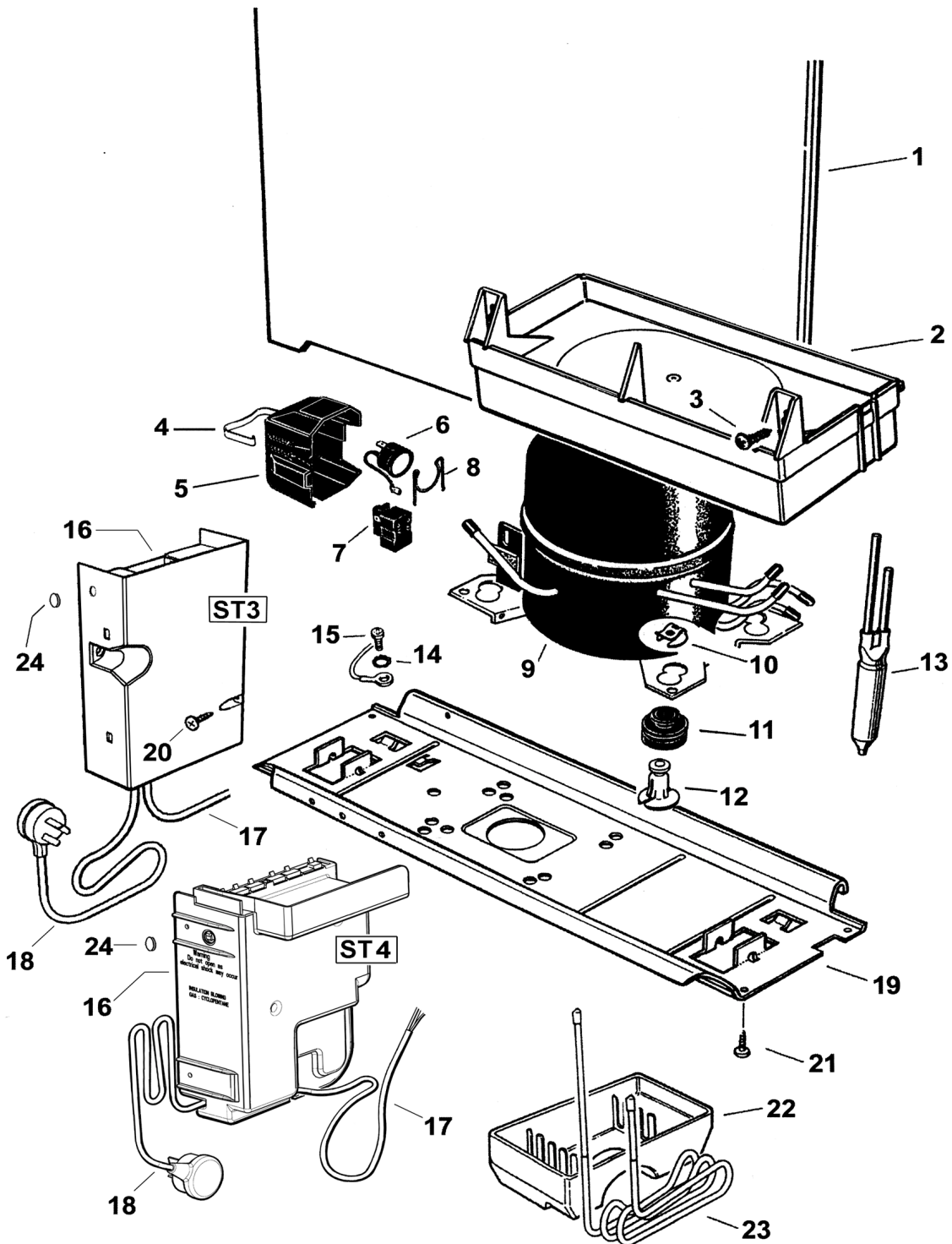
ELECTRONIC MODULE AND DUCT COVERS



ELECTRONIC MODULE AND DUCT COVERS

REF	PART	DESCRIPTION	MODEL
1	880759	INSULATN COVR DUCT TOP T&H MOD	E440TL
	880759	INSULATN COVR DUCT TOP T&H MOD	E440TR
2	881219P	MODULE CONTRL/DISP NON BC ST4	
	882780P	MODULE CONTRL/DISP NON BC ST3	
3	880779	GASKET CONTROL MODULE ELECTRON	
4	874723	LENS LED PRINTED ELECT NON BC	
5	855203P	SENSOR KIT ASSY	
6	881325	COVR DUCT TOP T&H MOD HS MD GY	E440TL
	881325	COVR DUCT TOP T&H MOD HS MD GY	E440TR
	881336	COVER DUCT TOP B MODL HS MD GY	E442BL
	881336	COVER DUCT TOP B MODL HS MD GY	E442BR
7	900475	SCREW 8X16.4MM SP PAN NIB ST	
8	880259	INSULATION COVER DUCT LONG T	E440TL
	880259	INSULATION COVER DUCT LONG T	E440TR
	873950	INSULATION COVER DUCT LONG B	E442BL
	873950	INSULATION COVER DUCT LONG B	E442BR
9	880571	HTR PCB LO AMB T&H MODELS ST4	
	881482	HTR PCB LO AMB T&H MODELS ST3	
10	873583	COVER DUCT T MODEL LONG	E440TL
	873583	COVER DUCT T MODEL LONG	E440TR
	881191	COVER DUCT B MODEL LONG	E442BL
	881191	COVER DUCT B MODEL LONG	E442BR
11	880196	GRILLE PC AIR RETURN 635/680B	E442BL
	880196	GRILLE PC AIR RETURN 635/680B	E442BR
12	872833	INSULATION INSERT B MODL	E442BL
	872833	INSULATION INSERT B MODL	E442BR
13	880407	HEATER LOW AMBIENT B MODEL	E442BL
	880407	HEATER LOW AMBIENT B MODEL	E442BR

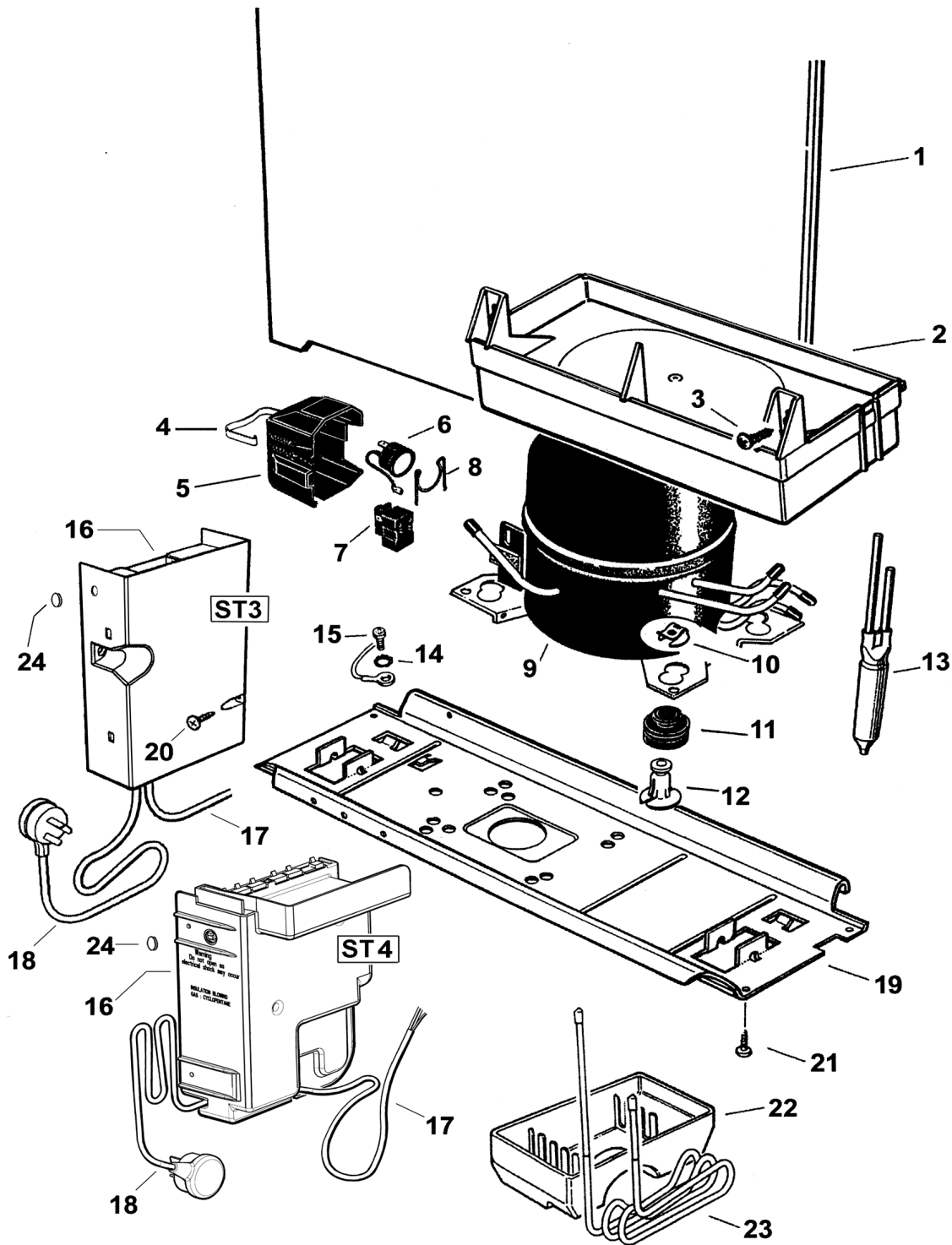
COMPRESSOR AND POWER MODULE



COMPRESSOR AND POWER MODULE

REF	PART	DESCRIPTION	MODEL
1	873044	PANEL BACK & CONDENSER ASSY	
2	876653	TRAY WATER EVAPORATOR NOTCHED	
	880884	TRAY WATER EVAP TOP HAT	
3	SP0201P	SCREW 8X12 PAN PH NIB PKT10	
4	209673#	CLAMP PROTECTOR COVER MAT	
5	209078	COVER PROTECTOR COMPRESSOR MAT	
	209995	PROTECTOR COVER EMBRACO	
6	209080	O/LOAD MM3-19ECF	
	209083	O/LOAD MM3-18GCF	
	209994	OVERLOAD COMPR 283KFBYY FGS90	
7	209988	RELAY PTC D SERIES MM8-5DDT33M	
	209993	RELAY PTC EMBRACO 8EA 503	
8	209674	CLIP O/LOAD 01-246801	
9	209492P	COMPR PKD MAT DB77C14R 240V50H	
	209078	<i>COVER PROTECTOR COMPRESSOR MAT</i>	
	209083	<i>O/LOAD MM3-18GCF</i>	
	209673#	<i>CLAMP PROTECTOR COVER MAT</i>	
	209674	<i>CLIP O/LOAD 01-246801</i>	
	209988	<i>RELAY PTC D SERIES MM8-5DDT33M</i>	
	502173	<i>FILTER DRIER 12 GR DUAL BRAZED</i>	
	872838	<i>GROMMET COMPRESSOR MOUNTING</i>	
	209999P	COMPR EMB FGS90HAW 240V 60HZ	
	209674	<i>CLIP O/LOAD 01-246801</i>	
	209993	<i>RELAY PTC EMBRACO 8EA 503</i>	
	209994	<i>OVERLOAD COMPR 283KFBYY FGS90</i>	
	209995	<i>PROTECTOR COVER EMBRACO</i>	
	209996	<i>RETAINER CABLE EMBRACO</i>	
	502173	<i>FILTER DRIER 12 GR DUAL BRAZED</i>	
	872838	<i>GROMMET COMPRESSOR MOUNTING</i>	
10	855270	CLIP COMPRESSOR MOUNTING	
11	872838	GROMMET COMPRESSOR MOUNTING	
12	850265	PIN COMPRESSOR MOUNTING	
13	502173	FILTER DRIER 12 GR DUAL BRAZED	
14	900101	WASHER LOCK NO 10 EXT SP ZP	
15	900377	SCREW #8X32X8 TY T PAN PH ZP	
	900475	SCREW 8X16.4MM SP PAN NIB ST	

COMPRESSOR AND POWER MODULE



COMPRESSOR AND POWER MODULE

REF	PART	DESCRIPTION	MODEL
16	880815P	POWER & SWITCH MODULE 240V ST3	
	881212P	MODULE POWER CONTROL 240V ST4	
	881215P	MODULE POWER CONTROL 110V ST4	
17	871388	HARNESS COMPRESSOR 3 CORE ST3	
	871389	HARNESS COMPRESSOR 4 CORE ST3	
	881234	HARNESS COMPRESSOR 3 CORE ST4	
	881235	HARNESS COMPRESSOR 4 CORE ST4	
18	873354	CABLE MAIN 3 FLAT PIN 230V ST3	
	873356	CABLE MAIN 3PIN FUSED 230V ST3	
	881400	CABLE MAIN 3 FLAT PIN 230V ST4	
	881401	CABLE MAIN 3PIN FUSED 230V ST4	
	881402	CABLE MAIN 2 PIN EURO 230V ST4	
	881403	CABLE MAIN 3 PIN RD EARTH 110V ST4	
	881404	CABLE MAIN ASSY 2FLAT PIN 220V ST4	
		<i>881405 CABLE MAIN 2 FLAT PIN 220V ST4</i>	
		<i>874329 CABLE LEAD EARTH</i>	
		<i>877642 LABEL WARNING 220V ONLY</i>	
19	878488	TRAY COMP MOUNTING 680	
20	871452	SCREW 4X20 PH ST	
	880564	SCREW 7 X 20 RD HD NO 2 SQ DR	
21	901525	SCREW 8X16 PAN NIB STZP PHOS C	
22	873228	TRAY WATER OVERFLOW	
23	873040	TUBE HEATER SHEATHED 4.2MM	
24	875861	PLUG PLASTIC LT GY 14MM	
NI	207058	CAPACITOR RUN 4UF 400V ST3	
	207062	CAPACITOR RUN 4UF 400V ST4	
NI	880771	LABEL WIRING DIAGRAM 220-240V	
NI	875113	SUCTION & CAPILLY ASSY E440T	E440TL
	875113	SUCTION & CAPILLY ASSY E440T	E440TR
	874810	SUCTION & CAPILLY ASSY E442B	E442BL
	874810	SUCTION & CAPILLY ASSY E442B	E442BR

NOTES

DOOR ASSEMBLIES TOP FREEZER

Technical Bulletins

315077P	RF020
315078P	RF020
315102P	RF020
315103P	RF020

DOOR ASSEMBLIES BOTTOM FREEZER

Technical Bulletins

315079P	RF020
315099P	RF020
315100P	RF020
315101P	RF020

CABINET TOP FREEZER

Notes

878582	Only available as complete assembly please order part number 880820
878583	Only available as complete assembly please order part number 880820

CABINET BOTTOM FREEZER

Notes

878582	Only available as complete assembly please order part number 880820
878583	Only available as complete assembly please order part number 880820

CABINET TOP & BOTTOM FREEZER

Technical Bulletins

883253P	RF025
---------	-------

FAN AND EVAPORATOR ASSEMBLIES

Technical Bulletins

880543	RF008
880544	RF008
880923	RF008
880954	RF008
882844	RF021
882956	RF021

REFRIGERATION ABBREVIATION KEY

DESCRIPTION KEY

PC	PROVISION COMPARTMENT
FC	FREEZER COMPARTMENT
HCL	HUMIDITY CONTROL LID
HC	HUMIDITY COMPARTMENT
HS	HOT STAMPED
X/RAIL	CROSS RAIL
BC	BUTTER CONDITIONER
BS	"B" SERIES CABINET
CH	CHARCOAL COLOUR
LT GY	LIGHT GREY COLOUR
MD GY	MID GREY COLOUR
DK GY	DARK GREY COLOUR
SATIN or SC	SATIN CHROME FINISH
S/STONE	SANDSTONE COLOUR
SS	STAINLESS STEEL
SL or SIL	SILVER
HAN P/C	HANDLE POWDER COATED
F&P	FISHER & PAYKEL
PUSHIN	PUSHIN TYPE GASKET
LH	LEFT HAND
RH	RIGHT HAND
LHT	LEFT HAND TOP
RHT	RIGHT HAND TOP
LHB	LEFT HAND BOTTOM
RHB	RIGHT HAND BOTTOM
SML	SMALL
DC	DIRECT CURRENT
10W	10 WATTS
12V	12 VOLTS
XH9	TYPE OF DESSICANT WITHIN A FILTER DRYER
M5	5 MILLIMETER

Free Manuals Download Website

<http://myh66.com>

<http://usermanuals.us>

<http://www.somanuals.com>

<http://www.4manuals.cc>

<http://www.manual-lib.com>

<http://www.404manual.com>

<http://www.luxmanual.com>

<http://aubethermostatmanual.com>

Golf course search by state

<http://golfingnear.com>

Email search by domain

<http://emailbydomain.com>

Auto manuals search

<http://auto.somanuals.com>

TV manuals search

<http://tv.somanuals.com>