

Smart Drive[®] Electronic Washing Machine

Model
GWL15 US FP WH

Product Code
96200-A



96200-A

PRODUCT

Brand	Fisher & Paykel
Voltage	110-120V 60Hz
Model	GWL15 US FP WH
Product Code	96200-A

Fisher & Paykel Appliances
5900 Skylab Road
Huntington Beach
CA 92647
Telephone: 888 936 7872

COPYRIGHT © FISHER & PAYKEL LTD 2006 ALL RIGHTS RESERVED

CONTENTS

TOP DECK AND ELECTRONICS	6
WRAPPER	8
AGITATOR AND HOSES	10
INNER AND OUTER BOWLS AND PUMP	12
MOTOR	14
NOTES	17

GUIDE TO USING THIS MANUAL

The model covered by this manual is listed on the front cover.

The information detailed in this manual is subject to change without notice, the latest version is indicated by the reprint date and replaces any earlier editions.

The front cover picture shows the type of product and may not necessarily be an exact image of the models covered by the manual.

Kit Parts

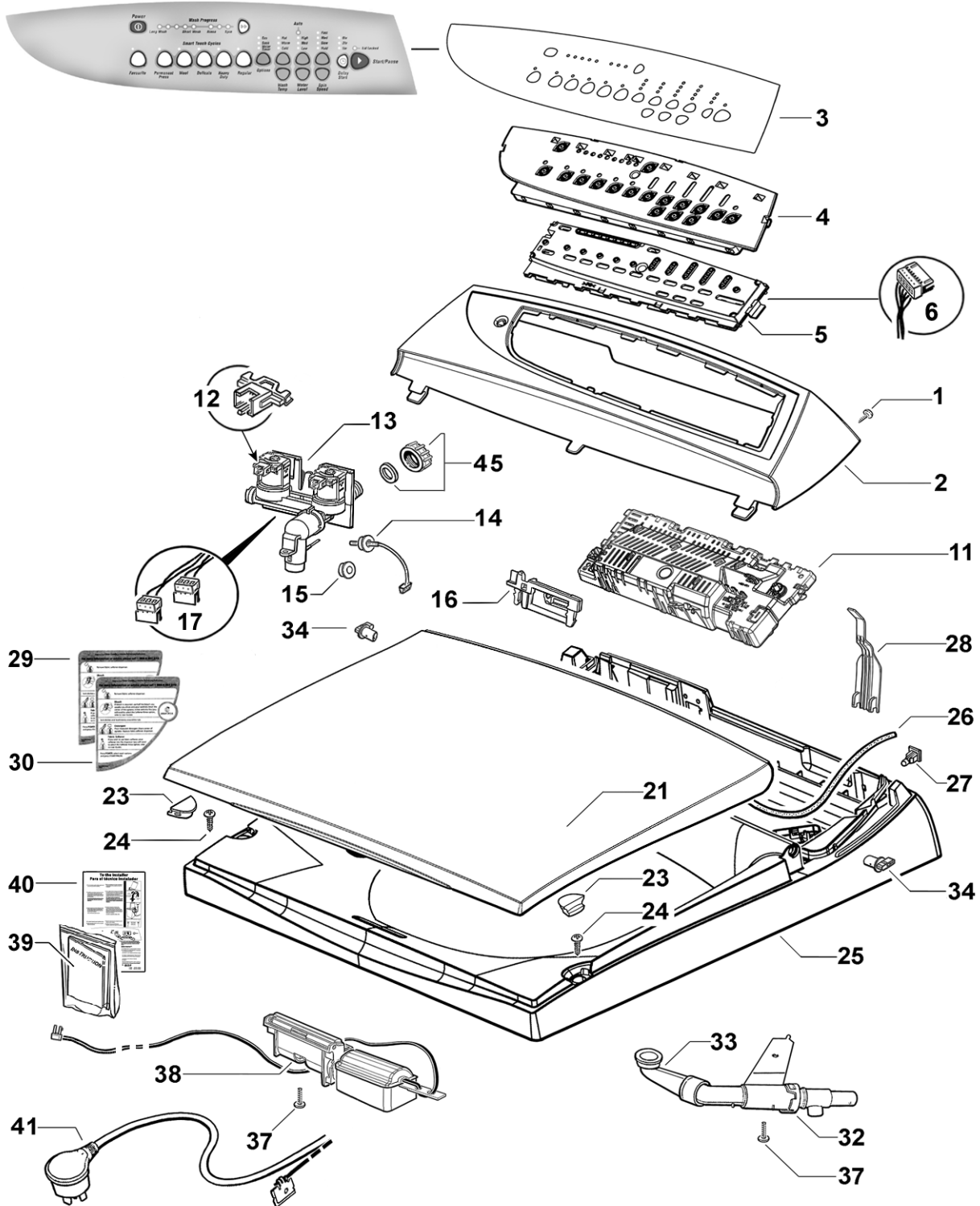
The components shown in *italics with a part number* are those parts in the kit which are available also as separate items. In addition, some parts may be supplied with this kit which are not available as separate items and are therefore either not listed or a part number is not shown against the part description in this manual.

All details relating to Technical Bulletins or Notes are shown on a dedicated page. The Technical Bulletin Number shown relates to the bulletin version which is produced for the Global Service Centres.

Parts List Key

NOT USED	As a part, indicates the diagram part reference is not used in this manual.
<i>italics</i>	Kit components or parts included are shown in <i>italics</i> , refer to above notes: Kit Parts
NI	As a part reference, indicates the part is not illustrated on the diagram.

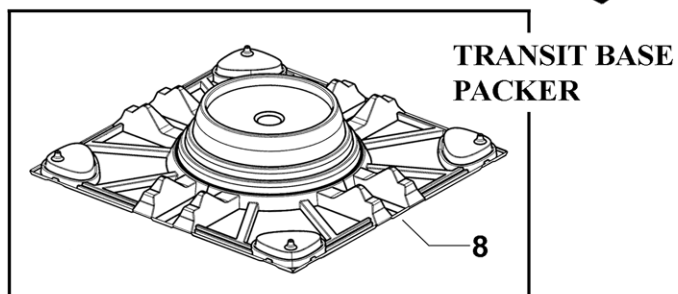
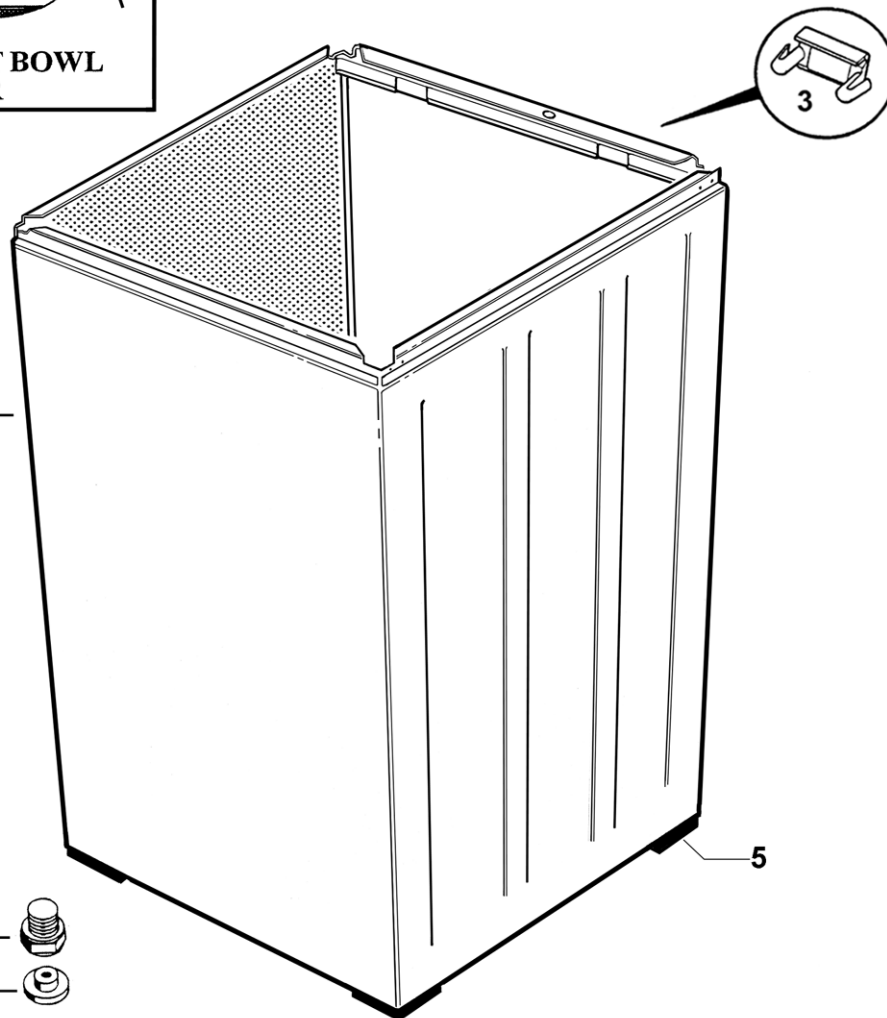
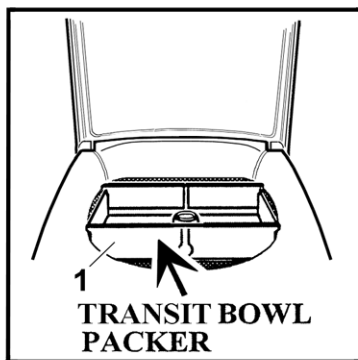
TOP DECK AND ELECTRONICS



TOP DECK AND ELECTRONICS

REF	PART	DESCRIPTION
1	611933P	SCREW ST 8X5/8 TA MTS PH ZNPL (PKT 10)
2	420115	CONSOLE PRINTED GWL11
3	420807	PANEL TOUCH GWL12 US FP WH
4	426819	INSERT CONSOLE GW11
5	420605P	DISPLAY GW PH7/PH6
6	420176	HARNESS DISPLAY GW11
11	420811USP	MODULE MC SD PH7 120V CP ECO
12	420897P	CLIP RETAINING RAST DUAL VALVE (PKT 2)
13	420753P	VALVE INLET DUAL US INVENS
	<i>Includes 420897</i>	<i>CLIP RETAINING RAST DUAL VALVE (2)</i>
	<i>Includes 426949</i>	<i>THERMISTOR ASSY SD200 UL</i>
	<i>Includes 426752</i>	<i>SEAL THERMISTOR SS</i>
14	479193P	KIT THERMISTOR & SEAL UL
	<i>Includes 426949</i>	<i>THERMISTOR ASSY SD200 UL</i>
	<i>Includes 426752</i>	<i>SEAL THERMISTOR SS</i>
	<i>Includes 479165</i>	<i>LEAFLET THERMISTOR SD200</i>
15	426752	SEAL THERMISTOR SS
16	420738	CLAMP HARNESS TOP DECK
17	420593	HARNESS WATER VALVES SD14
21	478070P	LID ASSY WHITE PKD
23	426793P	BUFFER LID SD11 (PKT 2)
24	611812P	SCREW ST 10X5/8 MSH PAN PH SS430 (PKT 10)
25	420762	TOP DECK ASSY IW/GW L WH
	<i>Includes 422402</i>	<i>NUT SNAP IN SPIRE P0071/05/01/00 (2)</i>
	<i>Includes 426825</i>	<i>HINGE LID SD11 (2), 425974 ELBOW NOZZLE SD3</i>
	<i>Includes 420143</i>	<i>NOZZLE ASSY SD11, 420738 CLAMP HARNESS TOP DECK</i>
	<i>Includes 420700</i>	<i>LID LOCK ASSY SD14</i>
26	426273P	GASKET CONSOLE FOAM CUT
27	422402	NUT SNAP IN SPIRE P0071/05/01/00
28	420133	COVER WIRING TOPDECK SD11
29	420924	LABEL LID U&C GW-IW (SP)
30	420921	LABEL LID U&C GW-IW (ENG)
32	420143	NOZZLE ASSY SD11
	<i>Includes</i>	<i>BODY NOZZLE SD11, PISTON NOZZLE</i>
	<i>Includes</i>	<i>CAP NOZZLE, SPRING NOZZLE</i>
33	425974	ELBOW NOZZLE SD3
34	426825P	HINGE LID SD11(PKT 2)
37	611808P	SCREW ST 8X1/2 PAN PH SS 430S (PKT 10)
38	420700	LIDLOCK ASSY SD14
39	420939	LEAFLET SERVICE SUMMARY GWL15, IWL16
40	420929	LEAFLET INSTALLATION US GW-IW
41	420755	CORD SET SD US STRAIN RELIEF
45	388491	CAP VALVE BLANKING
	<i>Includes 420017</i>	<i>CONNECTOR SEAL VALVE CAP</i>

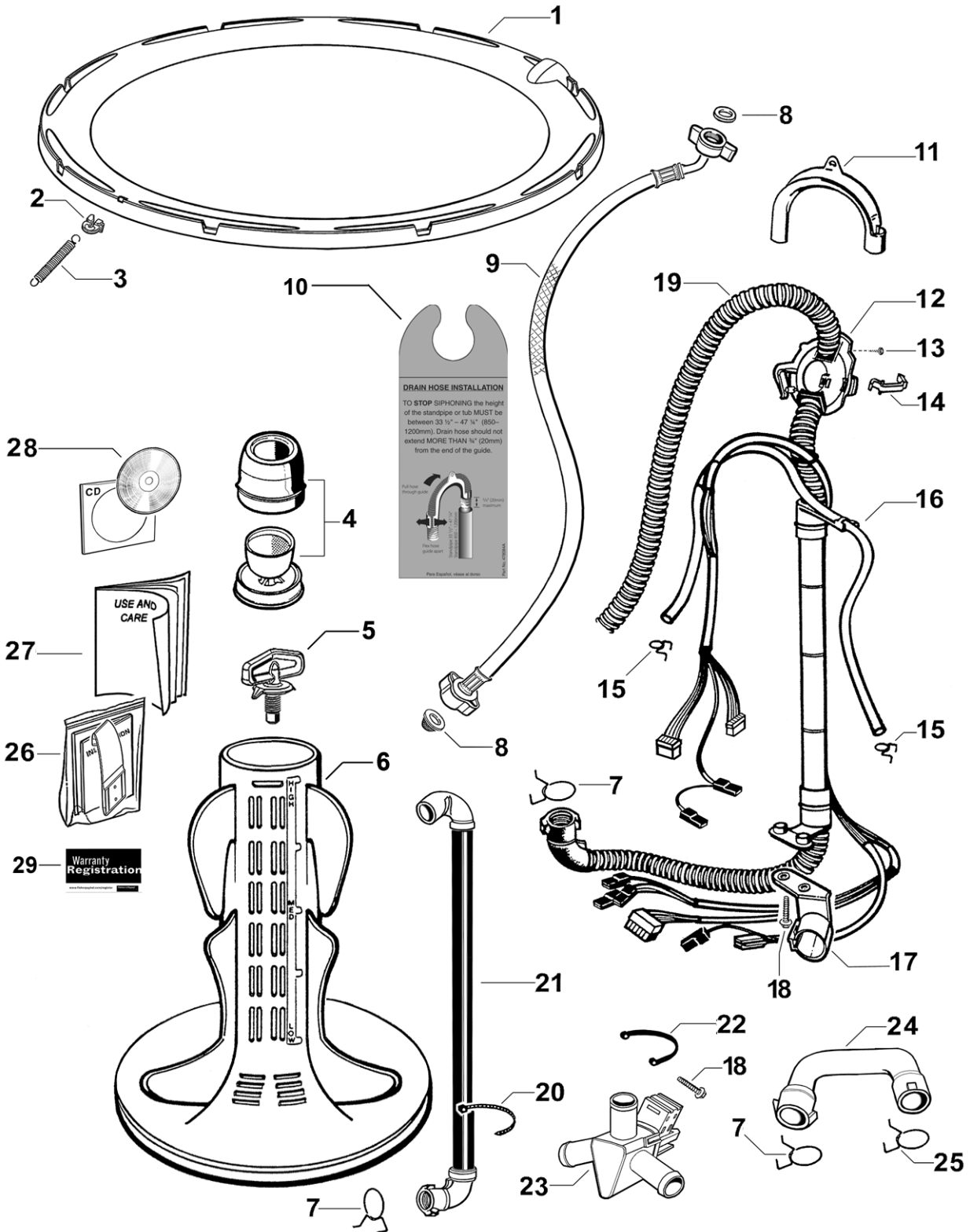
WRAPPER



WRAPPER

REF	PART	DESCRIPTION
1	420071	PACKER BOWL L11
3	426058	COVER EARTH CLIP
4	478080P	WRAPPER CABINET L ASSY US PKD
	<i>Includes 426393</i>	<i>CORNER CABINET/ FOOT ASSEMBLY (4)</i>
5	426393	CORNER CABINET FOOT ASSEMBLY
	<i>Includes 426366</i>	<i>CORNER CABINET BOTTM</i>
	<i>Includes 426153</i>	<i>FOOT LEVELLING</i>
6	472969P	KIT FOOT & INSERT
	<i>Includes</i>	<i>FOOT LEVELLING</i>
	<i>Includes</i>	<i>INSERT FOOT</i>
7	479183	INSERT FOOT (PKT 4)
8	478081	PACKER BTTM L VAC FORMED

AGITATOR AND HOSES

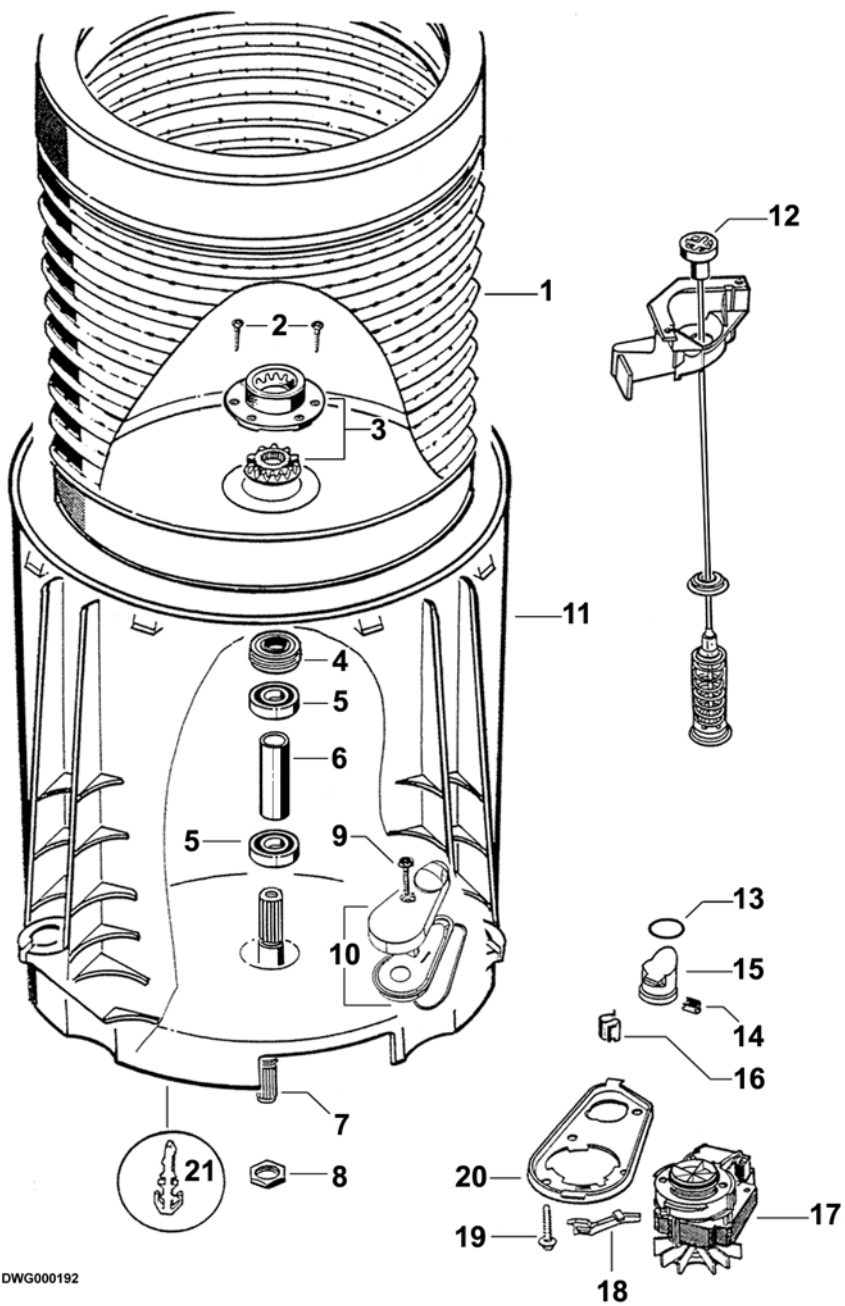


DWG000038

AGITATOR AND HOSES

REF	PART	DESCRIPTION
1	426809P	NECK RING ASSY L11
	<i>Includes</i>	<i>NECK RING L11 LT GREY</i>
	<i>Includes 420197</i>	<i>CLIP BIAS SPRING</i>
	<i>Includes 420122</i>	<i>SPRING BIAS</i>
2	420197	CLIP BIAS SPRING SD11
3	420122	SPRING BIAS SD11
4	426993P	DISPENSER ASSY WHITE
5	420665	BOLT AGITATOR
6	425025P	AGITATOR PKD
7	422500	CLAMP HOSE 031.5
8	420016P	KIT FILTER / CONNECTOR SEAL (2 EACH)
	<i>Includes 420016</i>	<i>FILTER INLET MIFLEX (2)</i>
	<i>Includes 420017</i>	<i>CONNECTOR SEAL MIFLEX (2)</i>
9	420871	HOSE INLET US PLASTIC MIFLEX
10	478084	TAG SIPHON DRAIN HOSE
11	422808	GUIDE OUTLET HOSE
12	426455	FIXTURE DRAIN HOSE
13	611933P	SCREW ST 8X5/8 TA MTS PH H5 (PKT 10)
14	425487	CLIP FIXTURE DRAIN HOSE
15	425611	CLAMP HOSE 08.5 TALL GRIP
16	425299	TUBE PRESSURE SENSOR SD2
17	425503	BRACKET DRAIN HOSE
18	425150P	SCREW ST 1/4 X 1" PLASTITE (PKT 10)
19	420822	HOSE & HARNESS ASSY RECIRC
20	621954	TIE T30R 150X3.5 HAMER
21	426863	HOSE RECIRC ASSY SD10
22	426958	CLAMP DIVERTER VALVE
23	426862P	VALVE DIVERTER SD10
	<i>Includes 420301</i>	<i>COVER DIVERTER VALVE</i>
	<i>Includes 420311</i>	<i>LABEL – "Do Not Remove Cover from Valve"</i>
24	426695	HOSE PUMP DIVERTER
25	422503	CLAMP HOSE 028
26	479273	KIT CATCH LID
	<i>Includes 479263</i>	<i>CATCH LID PARTIAL OPENING</i>
	<i>Includes 479278</i>	<i>TAPE FOAM DIE CUT 46X40X1</i>
	<i>Includes 479272</i>	<i>LEAFLET INSTALLATION CATCH LID</i>
27	420900	BOOK USE & CARE GWL15 US-CA
28	420353	COMPACT DISC-ALL US PRODUCT
29	479314	CARD WARRANTY REGISTRATION ALL PRODUCT

INNER AND OUTER BOWLS AND PUMP

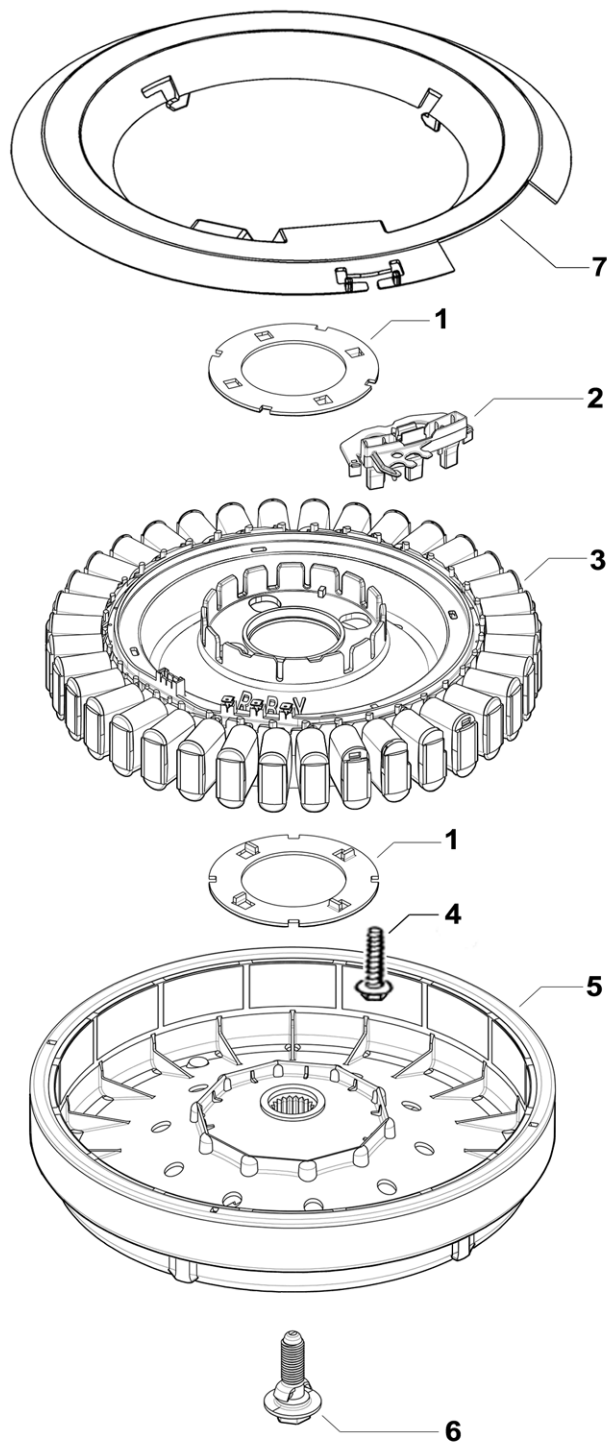


DWG000192

INNER AND OUTER BOWLS AND PUMP

REF	PART	DESCRIPTION
1	420841P	BOWL INNER 700 ASSY PKD
	<i>Includes 425080</i>	<i>SPLINE DRIVEN</i>
	<i>Includes 425131</i>	<i>SCREW CLUTCH (3)</i>
	<i>Includes 425596</i>	<i>SPLINE DRIVE ASSY</i>
2	425131P	SCREW CLUTCH (PKT 10)
3	479318	KIT SPLINE DRIVE
	<i>Includes 425080</i>	<i>SPLINE DRIVEN</i>
	<i>Includes 425596</i>	<i>SPLINE DRIVE ASSY</i>
4	425009P	LIPSEAL PKD
5	425006P	BEARING 60052R SH/C3
6	425007	SPACER BEARING
7	420794P	KIT SHAFT DRIVE SHORTENED PKD
	<i>Includes 420664</i>	<i>BOLT ROTOR</i>
	<i>Includes 420665</i>	<i>BOLT AGITATOR</i>
	<i>Includes 479359</i>	<i>INSTRUCTION SHEET</i>
8	425171	NUT BEARING
9	425162P	SCREW COVER (PKT 10)
10	479188P	KIT DRAIN CAP HOOD & IMPELLOR
	<i>Includes 425115</i>	<i>SEAL PUMP CAP</i>
	<i>Includes 420319</i>	<i>IMPELLOR INSERT ASSY</i>
	<i>Includes 426939</i>	<i>CAP PUMP RIBBED</i>
	<i>Includes 426940</i>	<i>HOOD PUMP</i>
11	420874P	BOWL OUTER ASSY LARGE PKD (Notch to be cut out for Recirculating Hose)
	<i>Includes 425006</i>	<i>BEARING 6005LLU</i>
	<i>Includes 425007</i>	<i>SPACER BEARING</i>
	<i>Includes 425009</i>	<i>LIP SEAL</i>
	<i>Includes 425115</i>	<i>SEAL PUMP CAP</i>
	<i>Includes 425162</i>	<i>SCREW COVER</i>
	<i>Includes 426939</i>	<i>CAP PUMP RIBBED</i>
	<i>Includes 426940</i>	<i>HOOD PUMP</i>
12	426750P	SUSPENSION ASSY SQUASHED (PKT 4)
13	425149	SEAL O RING PRESSURE CHAMBER
14	613710	CLIP EDGE
15	425763	PLUG ASSY PRESSURE CHAMBER
	<i>Includes 425097</i>	<i>PLUG PRESSURE CHAMBER</i>
	<i>Includes 425149</i>	<i>SEAL O RING PRESSURE CHAMBER</i>
16	613709	CLIP PIPE UNITED CARR FT19280-ZNPL
17	420325P	PUMP DRAIN 110V 60Hz
	<i>Includes 420319</i>	<i>IMPELLOR INSERT ASSEMBLY</i>
18	425128	CLIP PUMP RETAINING
19	425150P	SCREW ST 1/4 X 1" PLASTITE (PKT 10)
20	425028	BRACKET PUMP
21	472867	CLIP WIRING OUTER BOWL

MOTOR



DWG000086

MOTOR

REF	PART	DESCRIPTION
1	426174P	CLAMP PLATE STATOR LANCED (PAIR)
2	420776P	MODULE RPS SD PH7
	<i>Includes 472867</i>	<i>CLIP WIRING OUTER BOWL</i>
3	420775P	STATOR ASSEMBLY PKD
4	426835P	SCREW STATOR (PKT 10)
5	420774P	ROTOR ASSEMBLY PKD
6	420664	BOLT ROTOR
7	420553	SHIELD MOTOR UL SD14

NOTES

Free Manuals Download Website

<http://myh66.com>

<http://usermanuals.us>

<http://www.somanuals.com>

<http://www.4manuals.cc>

<http://www.manual-lib.com>

<http://www.404manual.com>

<http://www.luxmanual.com>

<http://aubethermostatmanual.com>

Golf course search by state

<http://golfingnear.com>

Email search by domain

<http://emailbydomain.com>

Auto manuals search

<http://auto.somanuals.com>

TV manuals search

<http://tv.somanuals.com>