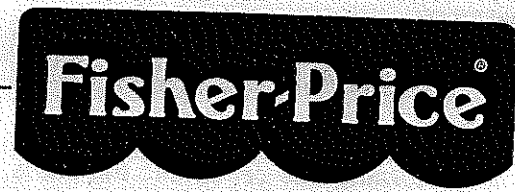


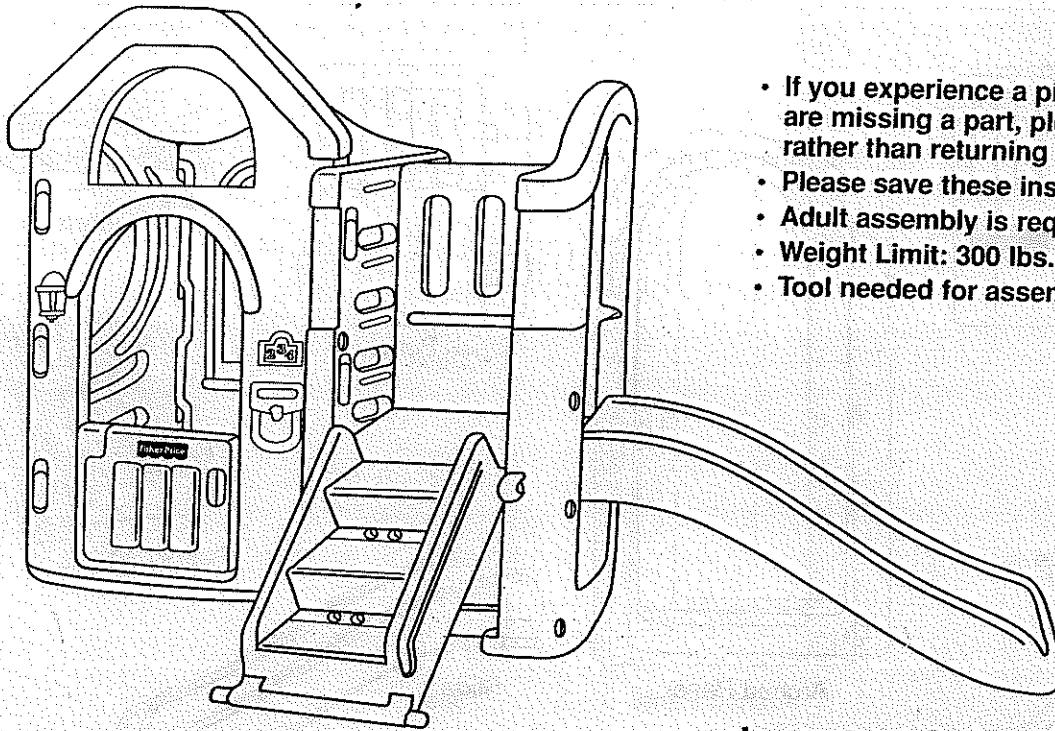
5440

# Instructions

## Adjustable Playhouse Gym



Model Number: 5990



- If you experience a problem with this product, or are missing a part, please call us at 1-800-432-KIDS, rather than returning this product to the store.
- Please save these instructions for future reference.
- Adult assembly is required.
- Weight Limit: 300 lbs.
- Tool needed for assembly: Phillips Screwdriver.

### Message to Parents

Thank you for purchasing the Fisher-Price Adjustable Playhouse Gym. The Adjustable Playhouse Gym should be assembled by an adult, preferably by two adults. Please set aside at least 30 minutes for assembly. Please read these instructions carefully and identify all parts before assembly. Refer to the parts illustration for identification.

Look for exciting information about other Fisher-Price outdoor playsets at the end of this instruction booklet. We hope you will be interested in learning about these new products.

If you have any questions about this product, please call Fisher-Price Consumer Affairs, toll-free at **1-800-432-KIDS** (1-800-432-5437) between 8 AM and 6 PM Eastern time, Monday through Friday, or write to:

Fisher-Price, Inc.  
 Attn: Consumer Affairs  
 636 Girard Avenue  
 East Aurora, New York 14052

**Hearing-impaired consumers** using TTY/TDD equipment, please call 1-800-382-7470.

### Important Safety Information

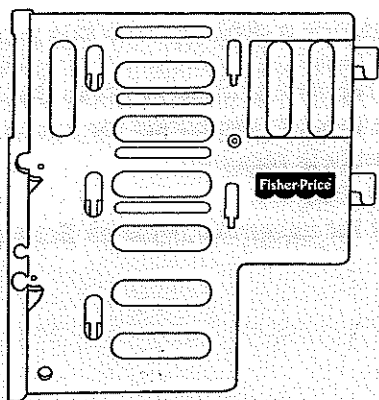
- Place the Adjustable Playhouse Gym on level ground, at least six feet from any structure or obstruction such as a fence, garage, house, overhanging branches, laundry lines or electrical wires.
- Do not climb on the Adjustable Playhouse Gym until it has been properly assembled by an adult.
- Only five (5) children should use the Adjustable Playhouse Gym at one time.
- The total weight limit for the Adjustable Playhouse Gym is 300 pounds.
- As with any climbing equipment, adult supervision is essential to ensure that children play safely.
- Be sure children are dressed appropriately to avoid potential hazards while using the Adjustable Playhouse Gym. Children should not wear loose clothing such as ponchos or scarves. Attire should include well-fitting shoes.
- Do not climb on the Adjustable Playhouse Gym when it is wet.
- Do not use the Adjustable Playhouse Gym in a manner that is unintended.

### WARNING

- Falls onto hard surfaces could result in head or other serious injuries.
- Never put on concrete, asphalt, wood, packed earth or any other hard surface.
- Carpet over hard floors may not prevent injury.

# Parts

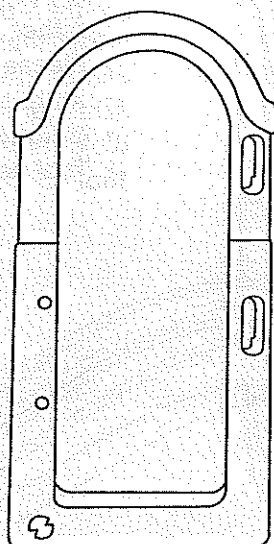
If you experience a problem with this product, or are missing a part, please call us at 1-800-432-KIDS, rather than returning this product to the store.



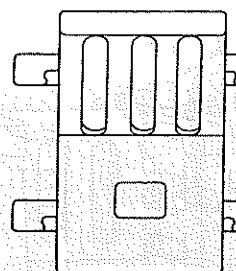
Center Panel



Base Connector



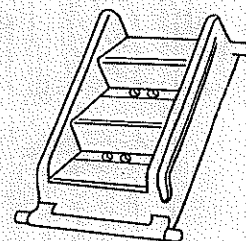
Arched Panel



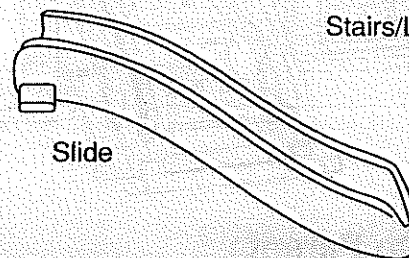
Deck Panel



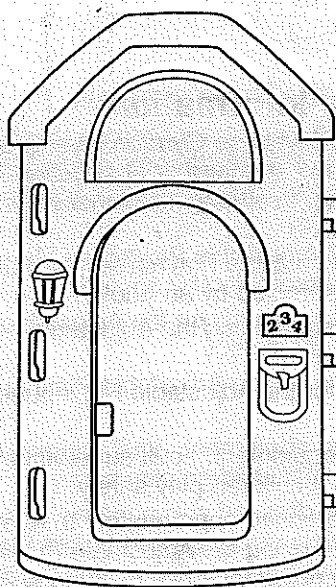
Platform



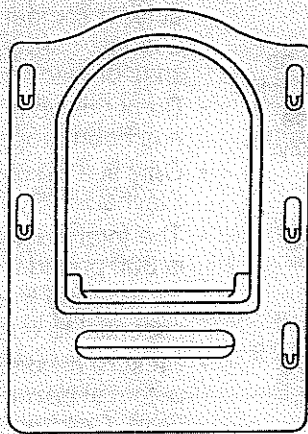
Stairs/Ladder



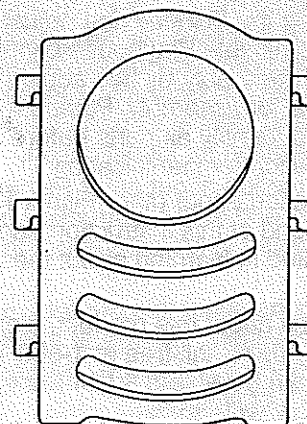
Slide



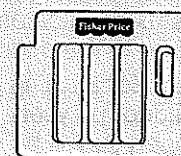
Front House Panel



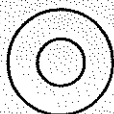
Rear House Panel



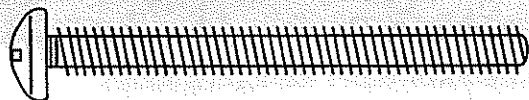
Side Panel



Door



Washer - 3



2 1/4" Screw - 3

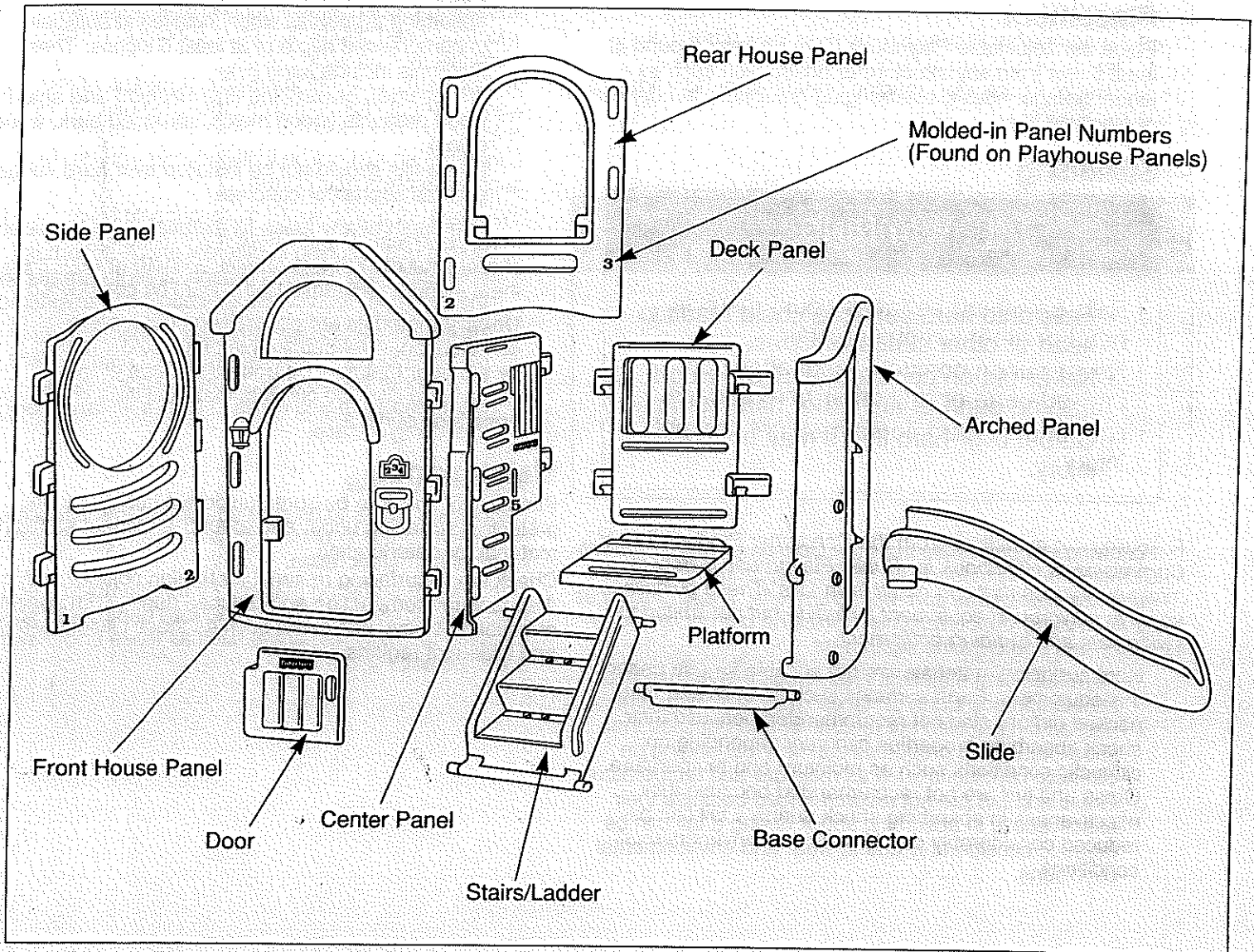
SHOWN ACTUAL SIZE

## CAUTION

Please keep small parts and plastic bags out of children's reach.

# Assembly Diagram

**Helpful Hint:** The playhouse panels are numbered for easy assembly. Look for and match the molded-in numbers on interlocking playhouse panels.



- Please save all packaging material until assembly is complete to ensure that no parts are discarded.
- If you experience a problem with this product, or are missing a part, please call us at 1-800-432-KIDS, rather than returning this product to the store.
- Before assembling the Adjustable Playhouse Gym, please wipe each part with a clean, dry cloth.

# Placement and Play Area Surfacing

Before assembling the Adjustable Playhouse Gym, select and prepare a play area.

## Placement

Place the Adjustable Playhouse Gym on level ground at least 6 feet from any structure or obstruction such as a fence, garage, house, overhanging branches, laundry lines or electrical lines.

## Surfacing



### WARNING

- Falls onto hard surfaces could result in head or other serious injuries.
- Never put on concrete, asphalt, wood, packed earth or any other hard surface.
- Carpet over hard floors may not prevent injury.

*Following are guidelines from the Consumer Product Safety Commission's Handbook for Public Playground Safety to minimize injuries that can result from falls. These guidelines apply to playground equipment including but not limited to swing sets and climbing equipment.*

Hard surfacing materials are not suitable for use under this equipment. Earth surfaces such as soils and hard packed dirt are also not recommended because their shock absorbing properties can vary depending on climactic conditions such as moisture and temperature. Grass and turf are not recommended because their effectiveness in absorbing shock during a fall can be reduced considerably due to wear and environmental conditions.

Acceptable surfacing materials are available in two basic types: **loose-fill** and **unitary**.

**Loose-fill** materials can have acceptable shock absorbing properties when installed at sufficient uncompressed depth of at least 6 inches. These materials include sand (fine and coarse), gravel (fine and medium) and shredded wood products (wood mulch, shredded bark, wood chips).

Loose-fills should not be installed over hard surfaces such as asphalt or concrete.

The depth of any loose-fill material could be reduced during use resulting in different shock-absorbing characteristics. For this reason, a depth greater than the minimum recommended should be considered.

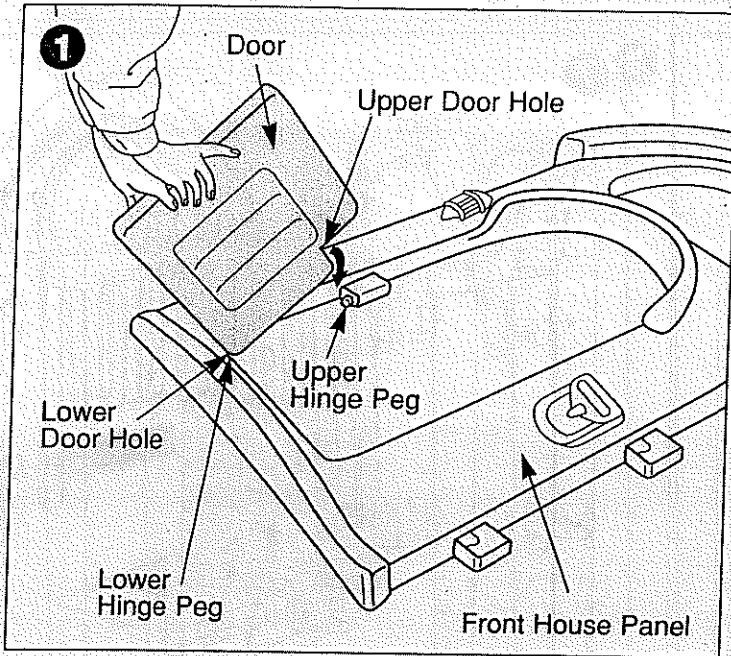
**Unitary** materials are generally rubber mats or a combination of rubber-like materials held in place by a binder that may be poured in place at the playground site and cures to form a unitary shock absorbing surface.

## Maintenance

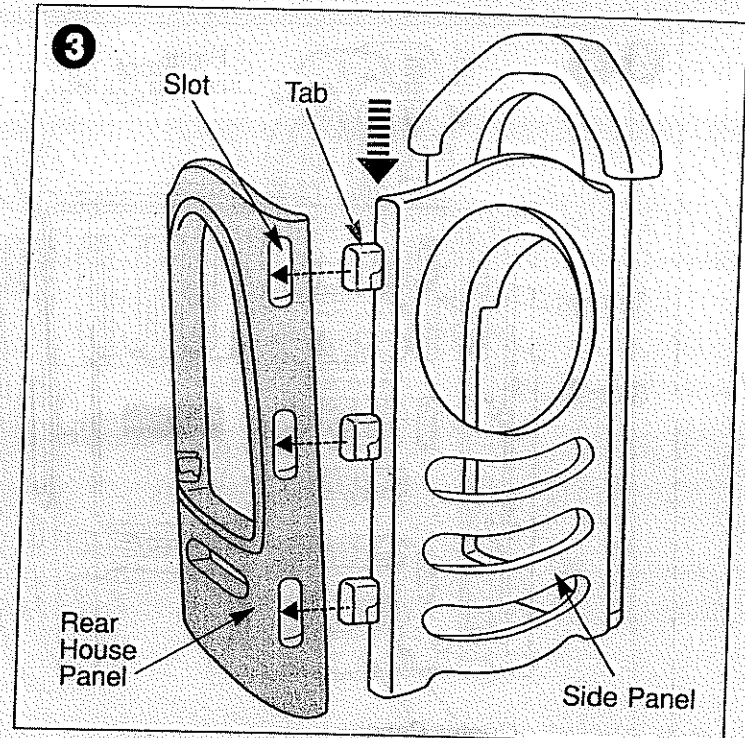
Periodically check to be sure equipment has adequate protective surfacing under and around it. Inspect surfacing material for deterioration.

Check loose surfacing material for foreign objects or debris. Also look for compaction and reduced depth, with special attention to heavy use areas such as those under swings and slide exit regions.

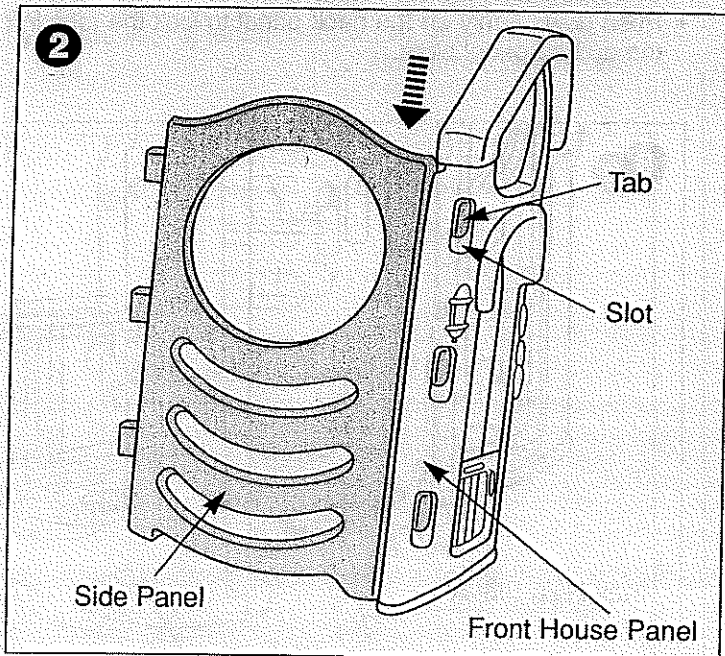
# Playhouse Assembly



- Lay the front house panel flat, as shown.
- Place the lower door hole on the lower hinge peg.
- Place the upper door hole near the upper hinge peg with the door at a right angle to the front house panel.
- Push down firmly on the door to snap it onto the front house panel.



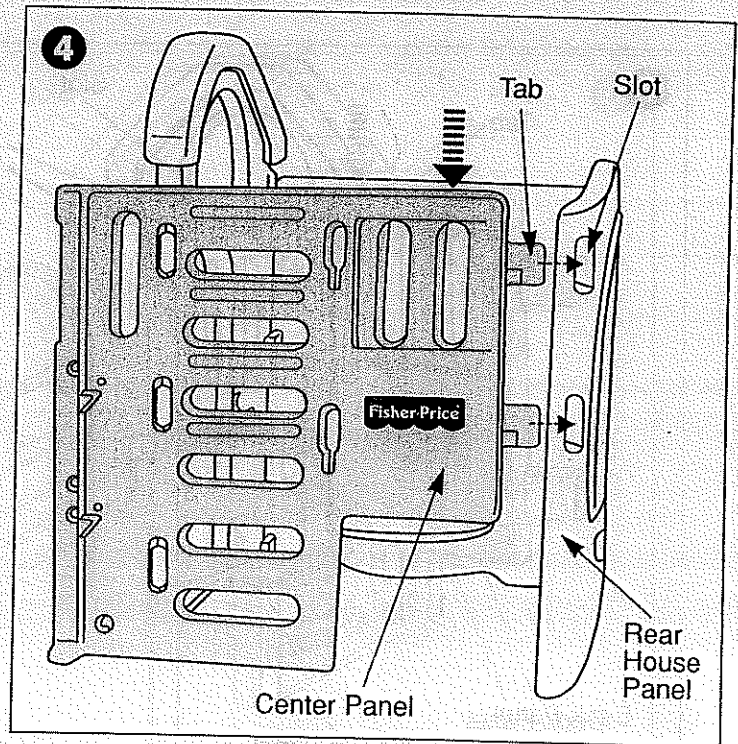
- Insert the side panel tabs (numbered 2) into the slots (numbered 2) in the rear house panel.
- Push down firmly on the side panel to lock the tabs into the rear house panel slots.



- Stand the front house panel upright.
- Insert the side panel tabs (numbered 1) into the slots (numbered 1) in the front house panel.

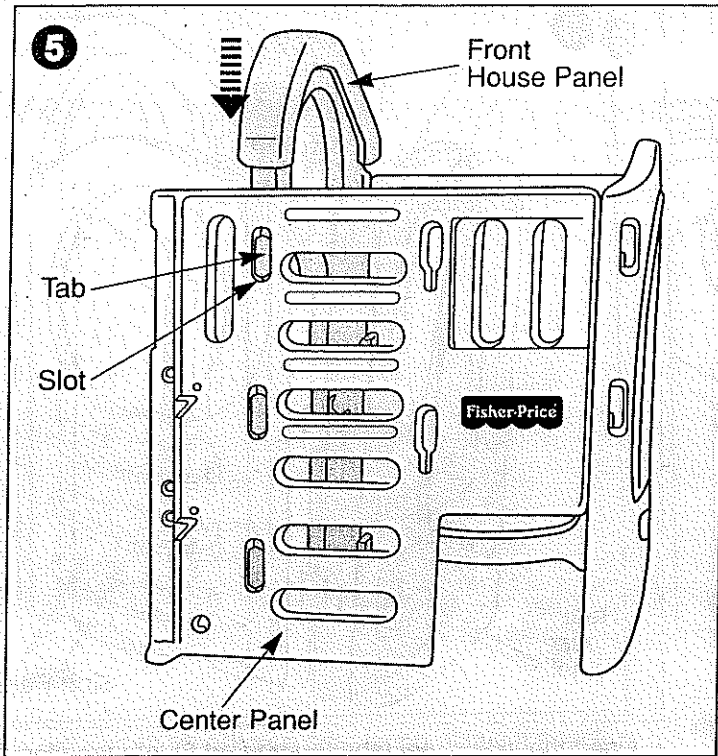
**Helpful Hint:** The playhouse panels are numbered for easy assembly. Look for and match the molded-in numbers on interlocking playhouse panels.

- Push down firmly on the side panel to lock the tabs into the front house panel slots.

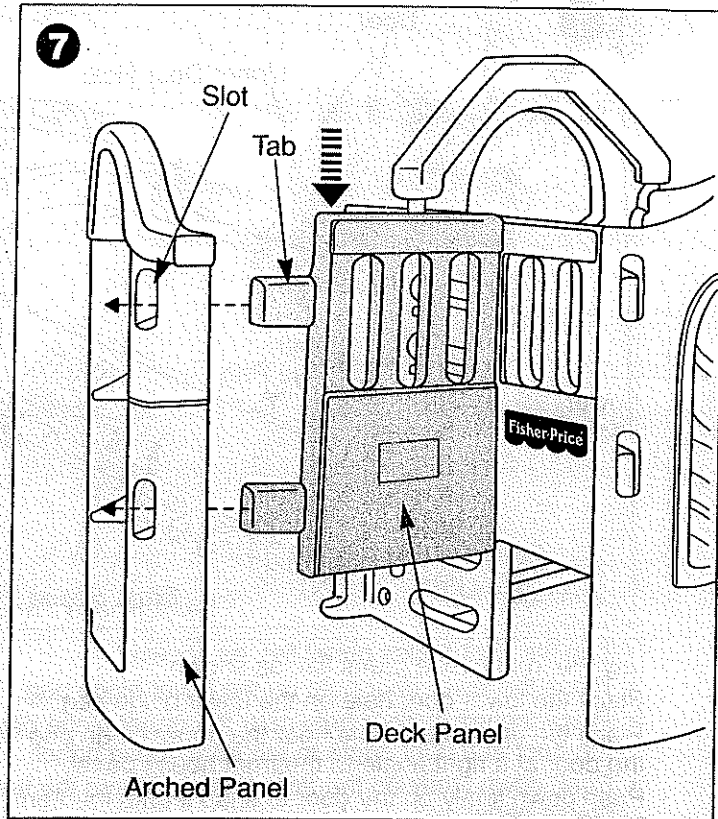


- Insert the center panel tabs (numbered 3) into the slots (numbered 3) in the rear house panel.
- Push down firmly on the center panel to lock the tabs into the rear house panel slots.

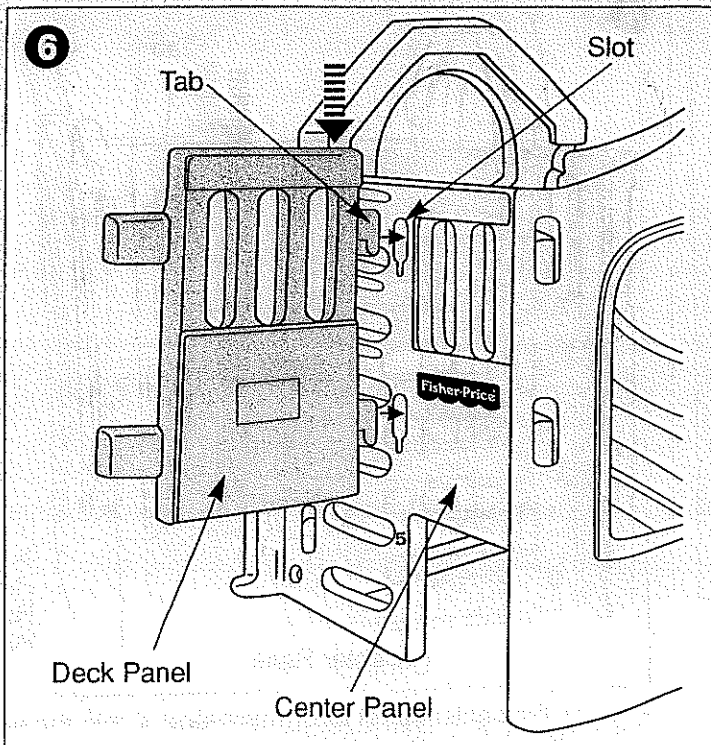
# Playhouse Assembly



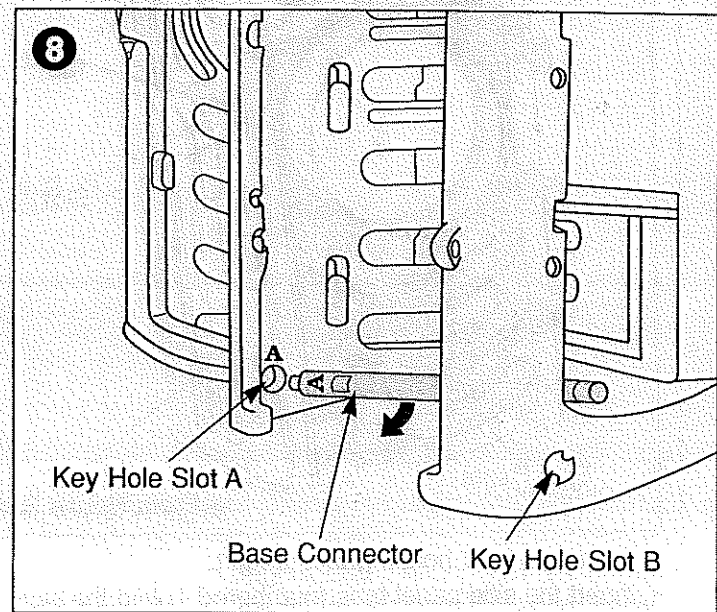
- Insert the front house panel tabs (numbered 4) into the slots (numbered 4) in the center panel.
- Push down firmly on the front house panel to lock the tabs into the center panel slots.



- Insert the deck panel tabs (numbered 6) into the slots (numbered 6) in the arched panel.
- Push down firmly on the deck panel to lock the tabs into the arched panel slots.



- Insert the deck panel tabs (numbered 5) into the slots (numbered 5) in the center panel.
- Push down firmly on the deck panel to lock the tabs into the center panel slots.

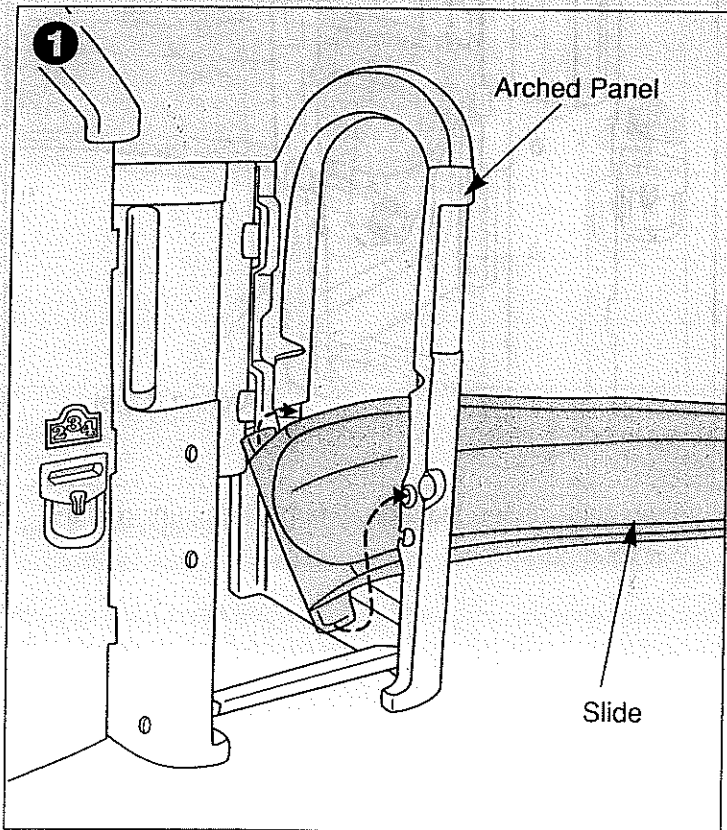
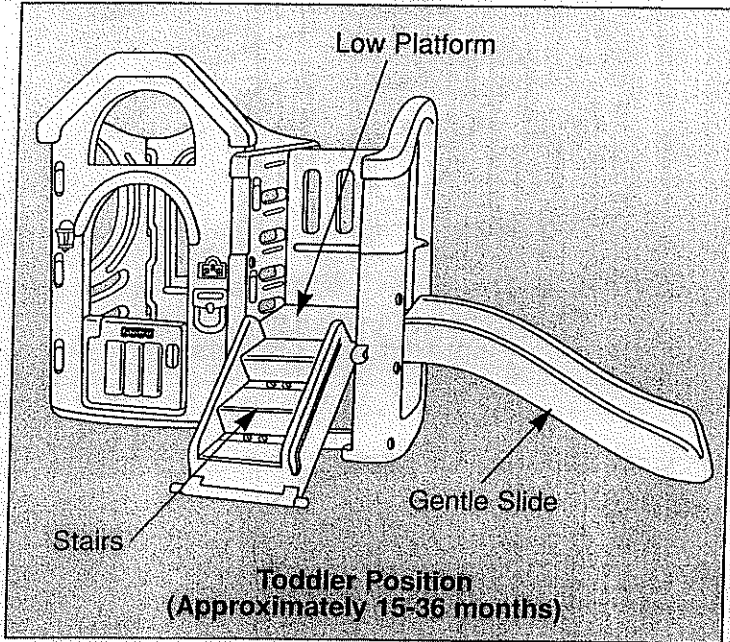


- Insert the end of the base connector (labeled A) into the key hole slot (labeled A).
- Insert the other end of the base connector (labeled B) into the key hole slot (labeled B).
- Rotate the base connector down to lock the arched panel and center panel together.

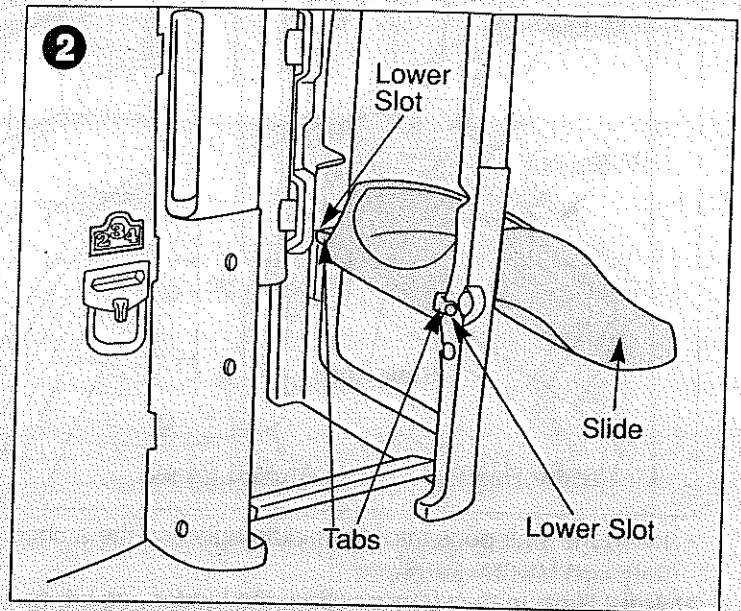
# Slide, Stairs/Ladder Platform Assembly

The Adjustable Playhouse Gym can be assembled either for use by toddlers or for use by preschoolers, providing hours of fun and years of play.

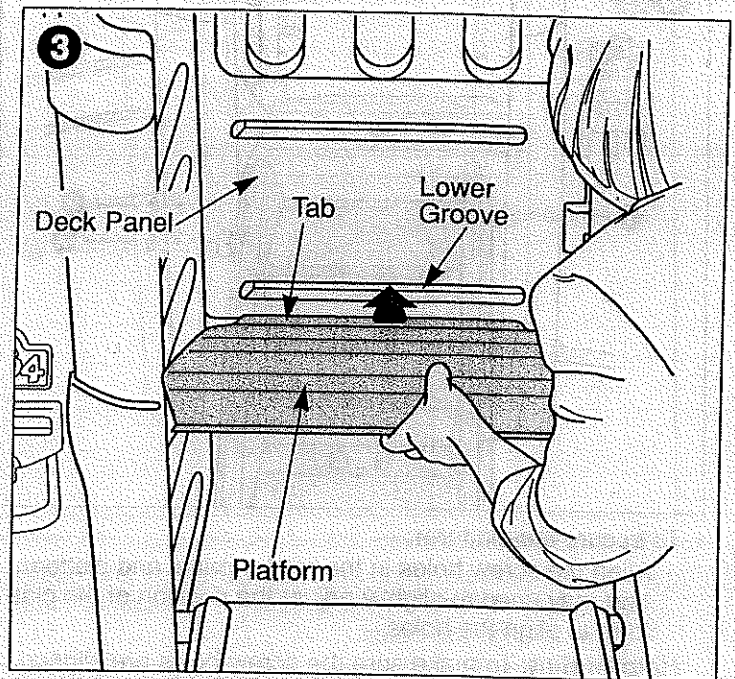
## For Toddlers – Gentle Slide, Low Platform and Stairs:



- At an angle, insert the slide through the opening of the arched panel.

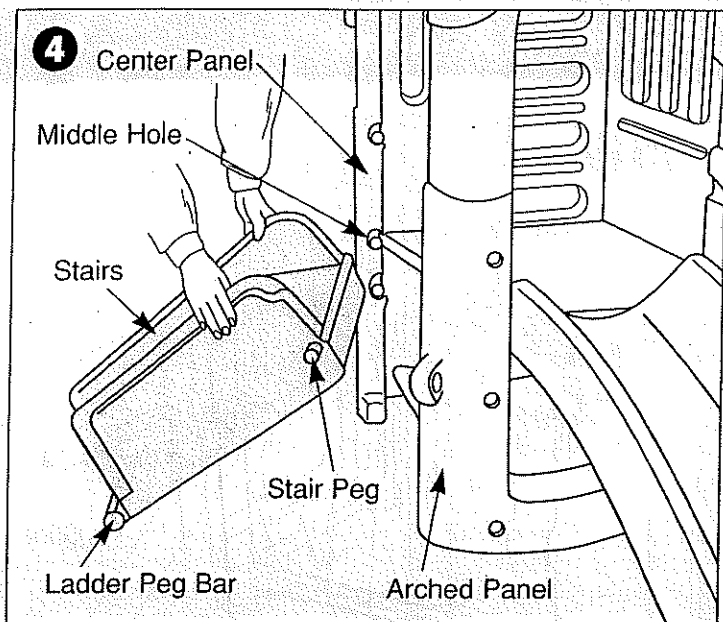


- Insert the slide tabs into the lower slots on the arched panel.
- Push down on the slide to be sure it is properly attached.



- At an angle, insert the tab on the platform into the lower groove in the deck panel.
- Push down firmly on the platform so that it is level.

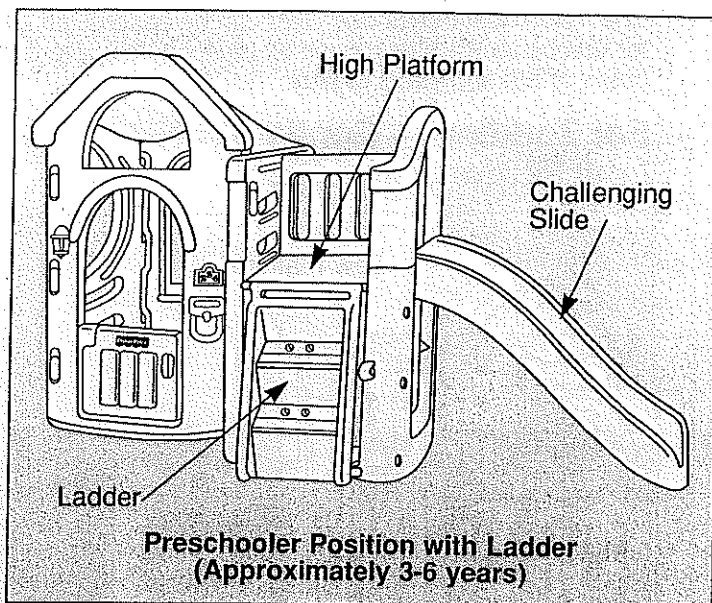
**Please Note:** You may need to push out on the center panel and arched panel while pushing down on the platform.



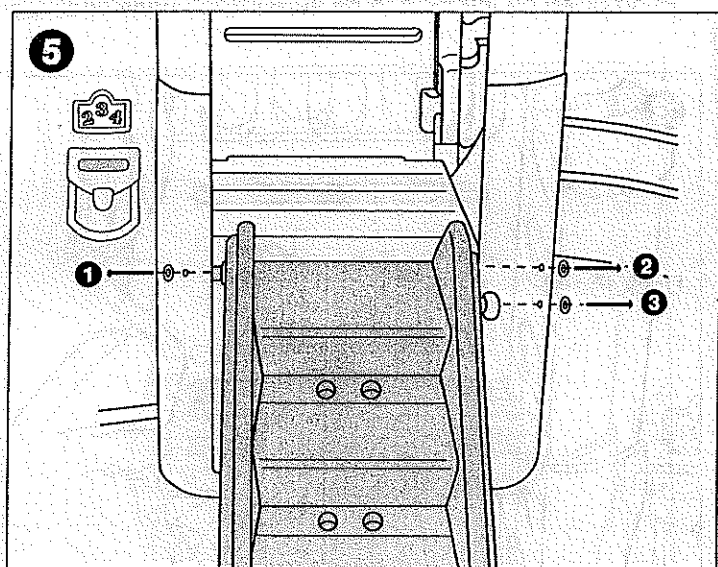
- Insert the stair pegs into the middle holes on the arched panel and center panel.

**Helpful Hint:** In the stairs position, the ladder peg bar rests on the ground.

## For Preschoolers – Challenging Slide, High Platform and Ladder:



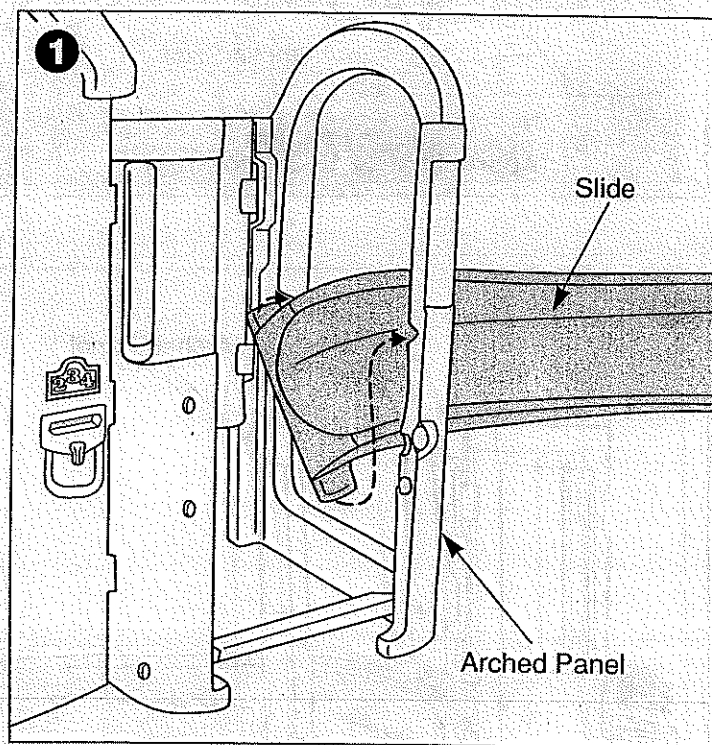
**Preschooler Position with Ladder (Approximately 3-6 years)**



- To secure the platform:
  - Align the screw holes in the center panel and platform. You may need to slightly adjust the position of the platform to align the holes.

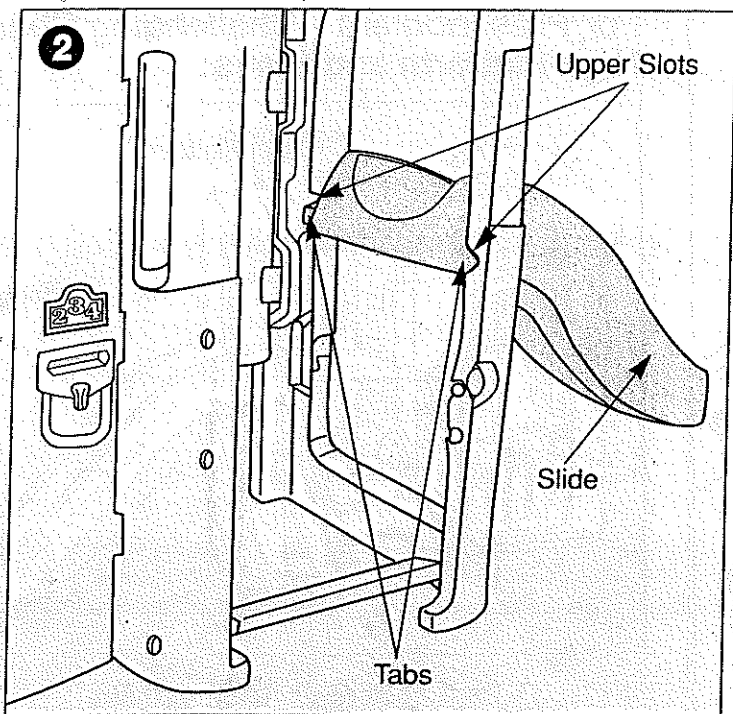
**Helpful Hint:** To make sure the screw holes are aligned, pass the shaft of the screwdriver through the holes before inserting the screws.

- Place a washer on a screw and insert the screw through the center panel and into the platform ①. Tighten the screw with a Phillips screwdriver. Do not over-tighten.
- Repeat this procedure to insert a screw through the arched panel and into the platform ②.
- To secure the stairs:
  - Place a washer on a screw and insert the screw through the arched panel and into the stairs ③. Tighten the screw with a Phillips screwdriver. Do not over-tighten.

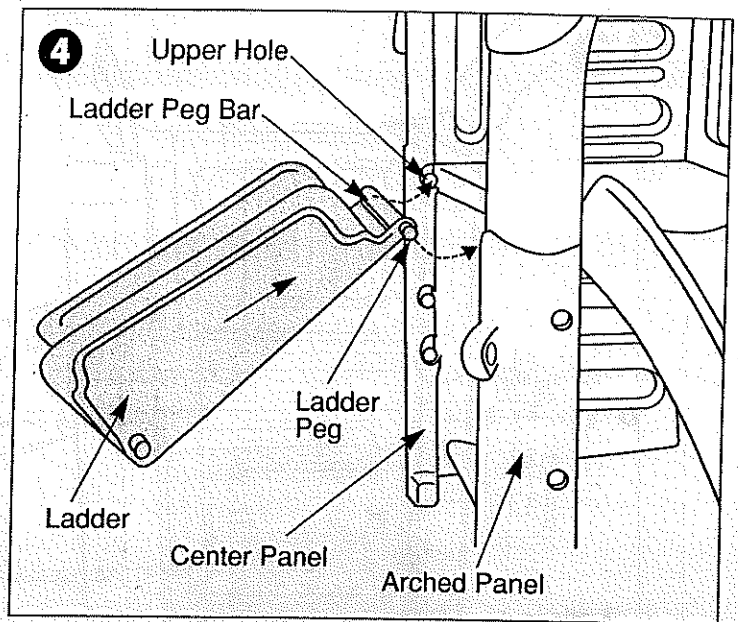


- At an angle, insert the slide through the opening of the arched panel.



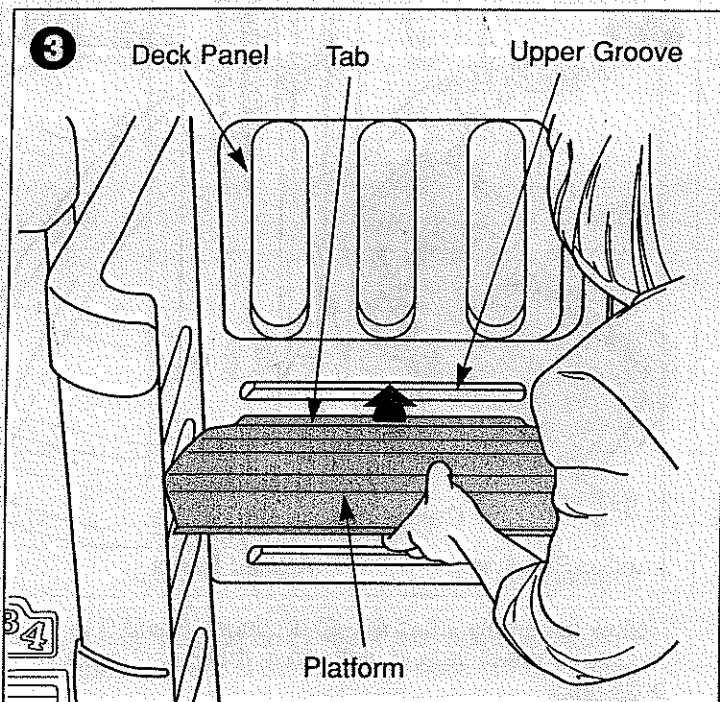


- Insert the slide tabs into the upper slots on the arched panel.



- Insert the ladder pegs into the upper holes on the arched panel and center panel.

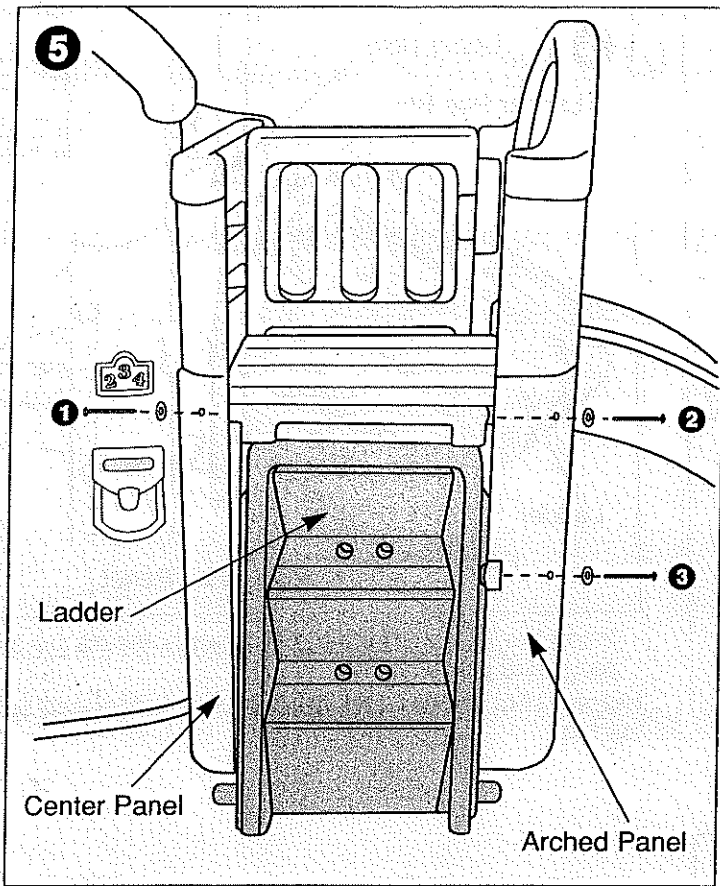
**Helpful Hint:** In the ladder position, the ladder peg bar is at the top.



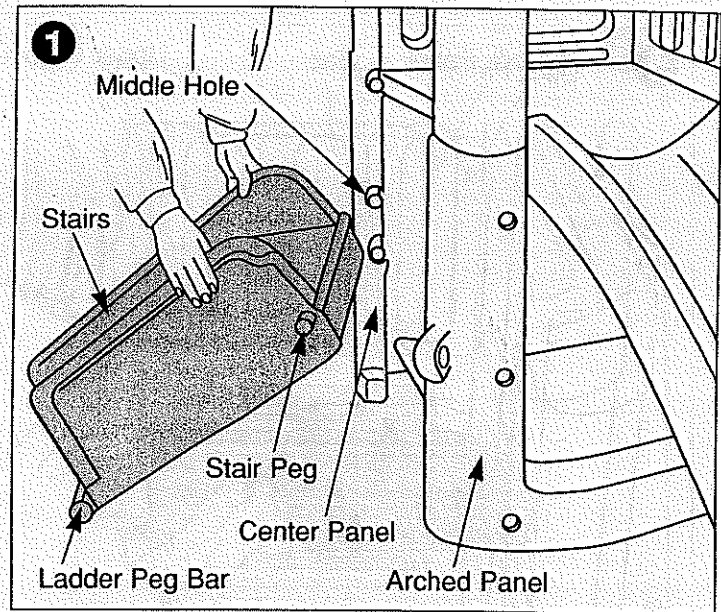
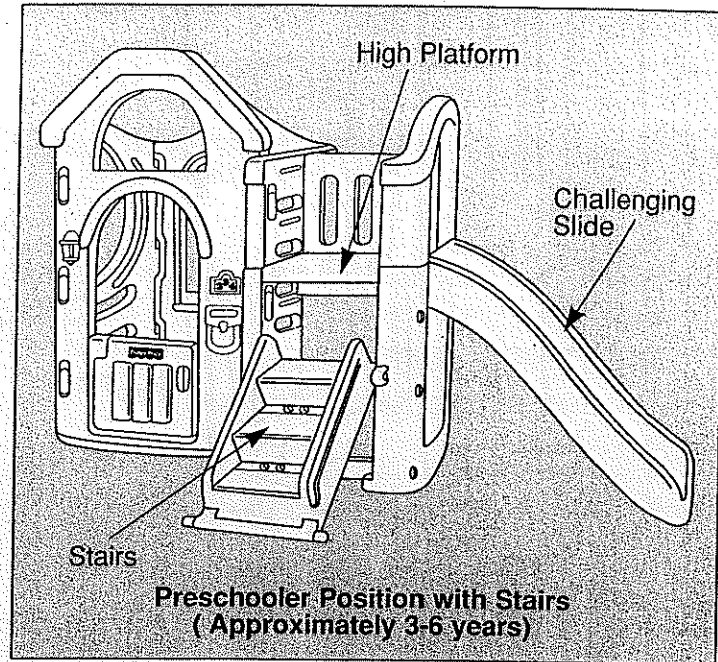
- At an angle, insert the tab on the platform into the upper groove in the deck panel.
- Push down firmly on the platform so that it is level.

**Please Note:** You may need to push out on the center panel and arched panel while pushing down on the platform.

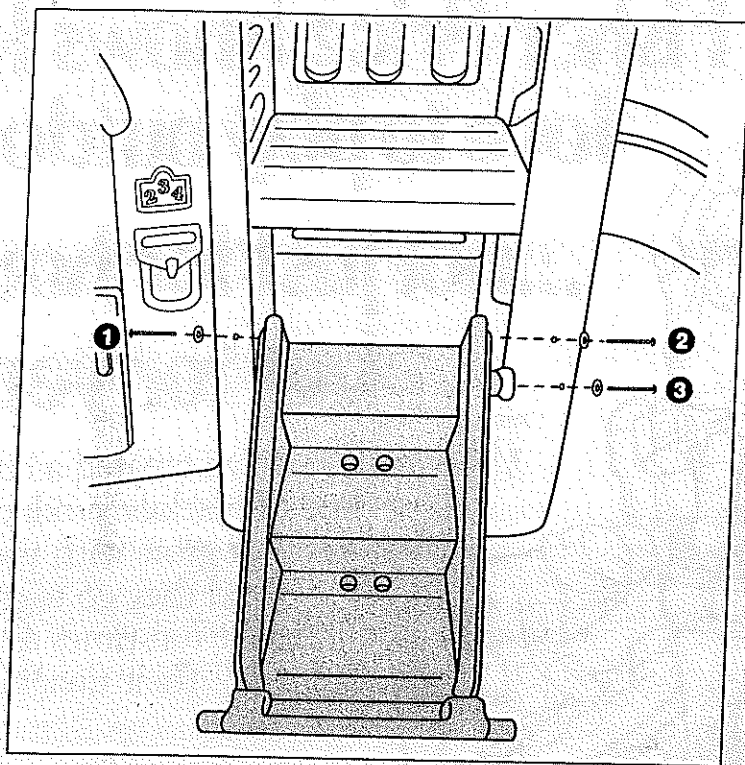
## For Preschoolers – Challenging Slide, High Platform and Stairs:



- To secure the platform:
  - Align the screw holes in the center panel and platform. You may need to slightly adjust the position of the platform to align the holes.
  - Helpful Hint:** To make sure the screw holes are aligned, pass the shaft of the screwdriver through the holes before inserting the screws.
  - Place a washer on a screw and insert the screw through the center panel and into the platform ①. Tighten the screw with a Phillips screwdriver. Do not over-tighten.
  - Repeat this procedure to insert a screw through the arched panel and into the platform ②.
- To secure the ladder:
  - Place a washer on a screw and insert the screw through the arched panel and into the ladder ③. Tighten the screw with a Phillips screwdriver. Do not over-tighten.



- Follow assembly steps ① - ③ on pages 8 and 9 to assemble the slide and platform in the Preschooler position.
- To attach the stairs in the Preschooler position, insert the stair pegs into the middle holes on the arched panel and center panel.
- Helpful Hint:** In the stairs position, the ladder peg bar rests on the ground.



## Maintenance

- Inspect the Adjustable Playhouse Gym twice monthly during the usage season for wear or damage and tighten the screws as needed. It is particularly important that this procedure be followed at the beginning of each usage season.
- To clean, use a mild soap and water solution and a clean cloth. Rinse clean with water to remove soap residue.
- Periodically check to be sure the Adjustable Playhouse Gym has adequate protective surfacing under and around it. Inspect surfacing material for deterioration.
- Check loose surfacing material for foreign objects or debris. Also look for compaction and reduced depth, with special attention to heavy use areas such as those under swings and slide exit regions.

## Three (3) Year Limited Warranty

Fisher-Price, Inc., 636 Girard Avenue, East Aurora, New York warrants to the original owner that the Adjustable Playhouse Gym is free from all defects in material and workmanship when used under normal conditions for a period of three (3) years from the date of purchase. This warranty does not cover color fading of the product or product parts, or damage from excessive abuse or Acts of God.

Should the product fail to perform properly, we will repair or replace it free of charge. Purchaser is responsible for shipping the product to the address indicated above and for all associated freight and/or insurance cost. Fisher-Price will bear the cost of shipping the repaired or replaced item to you. This warranty excludes any liability other than the above mentioned, including but not limited to any incidental or consequential damages.

**SOME STATES DO NOT ALLOW THE EXCLUSION OR LIMITATIONS OF INCIDENTAL OR CONSEQUENTIAL DAMAGES, SO THE ABOVE LIMITATION OR EXCLUSION MAY NOT APPLY TO YOU.**

**THIS WARRANTY GIVES YOU SPECIFIC LEGAL RIGHTS, AND YOU MAY ALSO HAVE OTHER RIGHTS WHICH MAY VARY FROM STATE TO STATE.**

**PATENTS PENDING.**

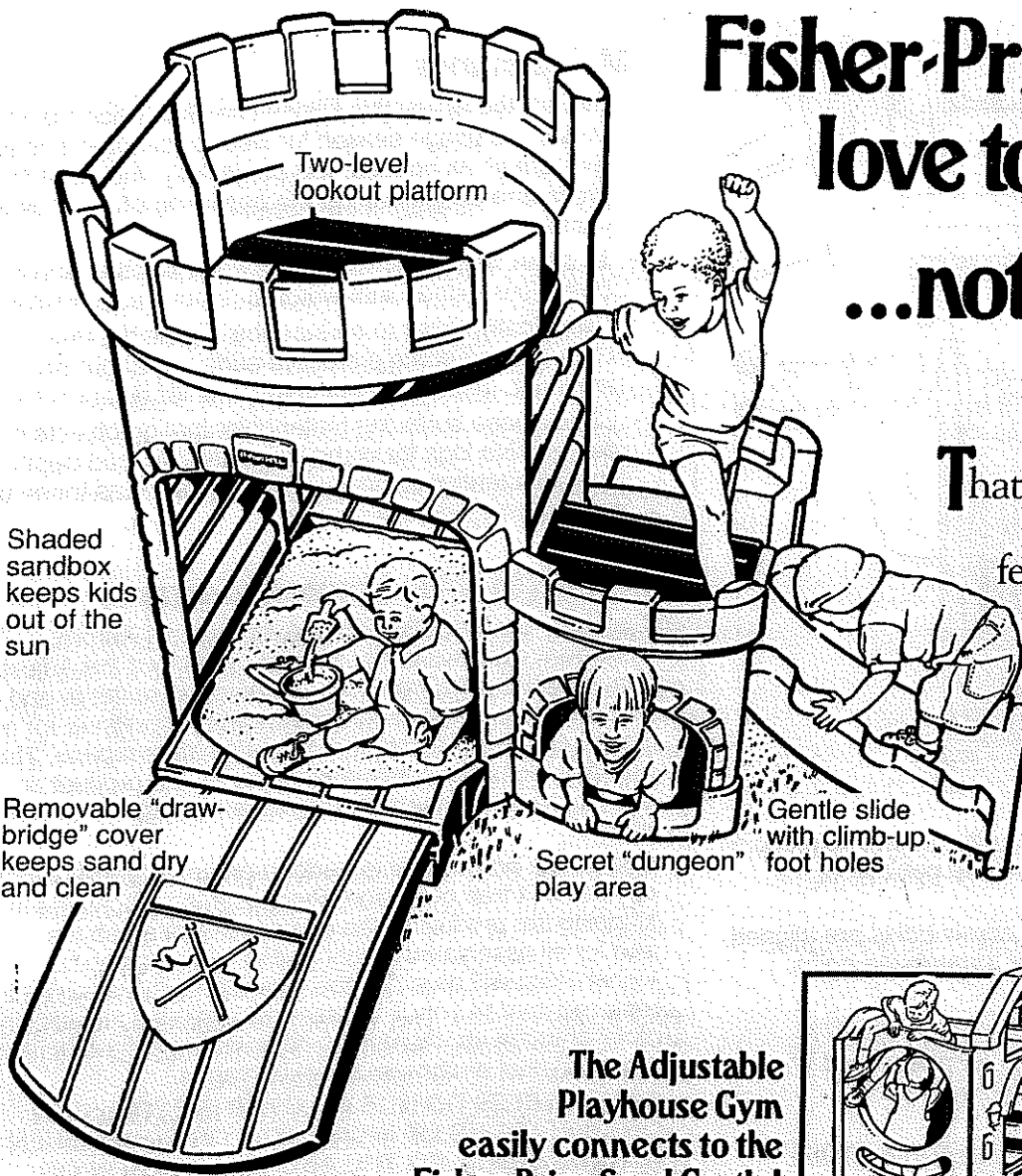
- To secure the platform:
  - Align the screw holes in the center panel and platform. You may need to slightly adjust the position of the platform to align the holes.

**Helpful Hint:** To make sure the screw holes are aligned, pass the shaft of the screwdriver through the holes before inserting the screws.

- Place a washer on a screw and insert the screw through the center panel and into the platform ①. Tighten the screw with a Phillips screwdriver. Do not over-tighten.
- Repeat this procedure to insert a screw through the arched panel and into the platform ②.
- To secure the stairs:
  - Place a washer on a screw and insert the screw through the arched panel and into the stairs ③. Tighten the screw with a Phillips screwdriver. Do not over-tighten.

# Fisher-Price knows kids love to play outdoors...not just for hours but for years

That's why we've created a complete line of outdoor products with features that grow with your kids. And they go together to make fun times as BIG as their imagination.



Shaded sandbox keeps kids out of the sun

Removable "draw-bridge" cover keeps sand dry and clean

Secret "dungeon" play area

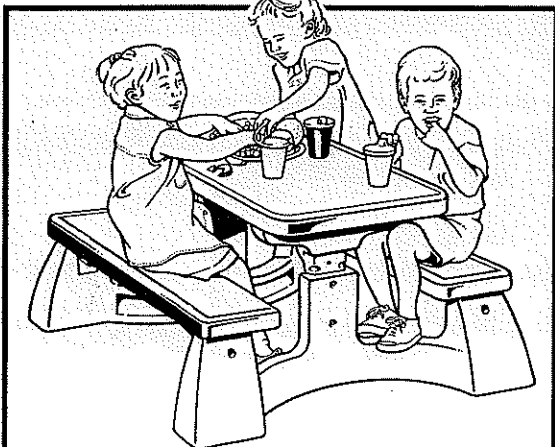
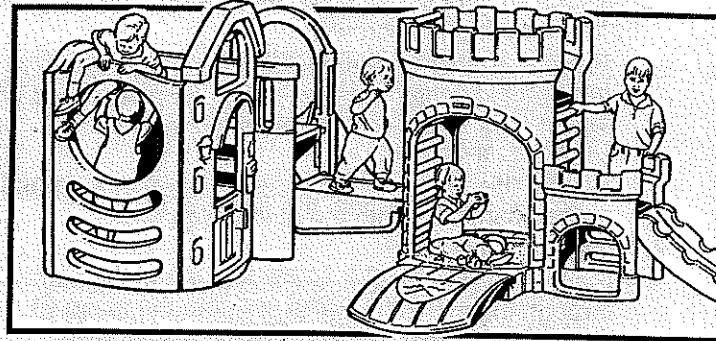
Gentle slide with climb-up foot holes

**5997 Sand Castle**  
2-6 yrs.

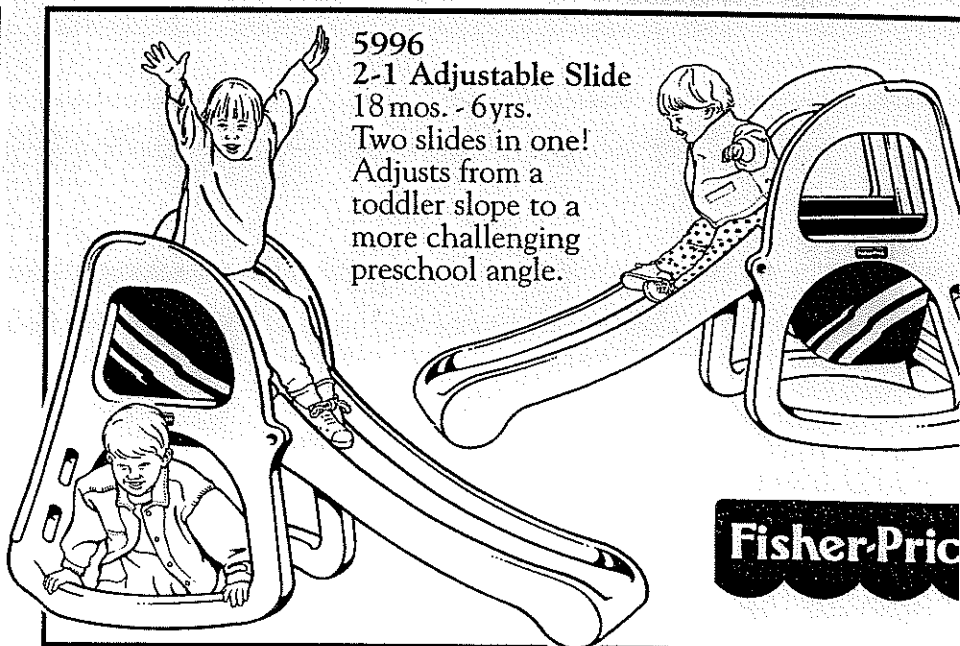
A sandbox, playgym and slide in one!

## The Adjustable Playhouse Gym easily connects to the Fisher-Price Sand Castle!

Fisher-Price Sand Castle available Summer 1995



**2097**  
**Grow with Me Picnic Table**  
2 yrs. & up  
Both the table top and seats adjust in height with your growing children.



**5996**  
**2-1 Adjustable Slide**  
18 mos. - 6yrs.  
Two slides in one!  
Adjusts from a toddler slope to a more challenging preschool angle.



## Free Manuals Download Website

<http://myh66.com>

<http://usermanuals.us>

<http://www.somanuals.com>

<http://www.4manuals.cc>

<http://www.manual-lib.com>

<http://www.404manual.com>

<http://www.luxmanual.com>

<http://aubethermostatmanual.com>

Golf course search by state

<http://golfingnear.com>

Email search by domain

<http://emailbydomain.com>

Auto manuals search

<http://auto.somanuals.com>

TV manuals search

<http://tv.somanuals.com>