

Fisher-Price®

H8096
Instructions

3-In-1 Gym

Please keep this instruction sheet for future reference, as it contains important information.

Adult assembly is required.

Tool required for assembly

Phillips screwdriver
(not included).



www.fisher-price.com

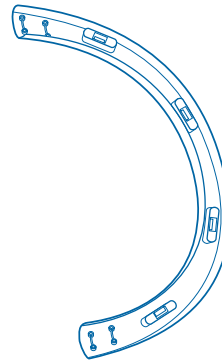
! WARNING

To prevent entanglement injury, never place the gym in a crib or playpen. Never add strings, ties or other products to the gym.

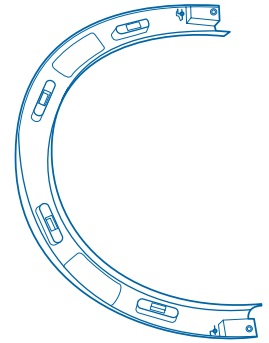
! CAUTION

This toy contains small parts in its unassembled state. Adult assembly is required.

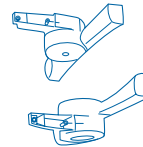
Parts



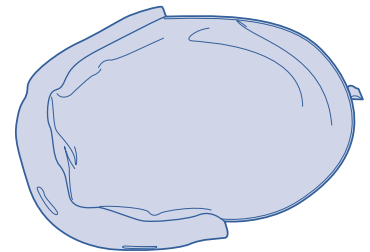
Green Arch



Blue Arch



2 Hubs



Quilt

Part Not Shown: 4 Toys

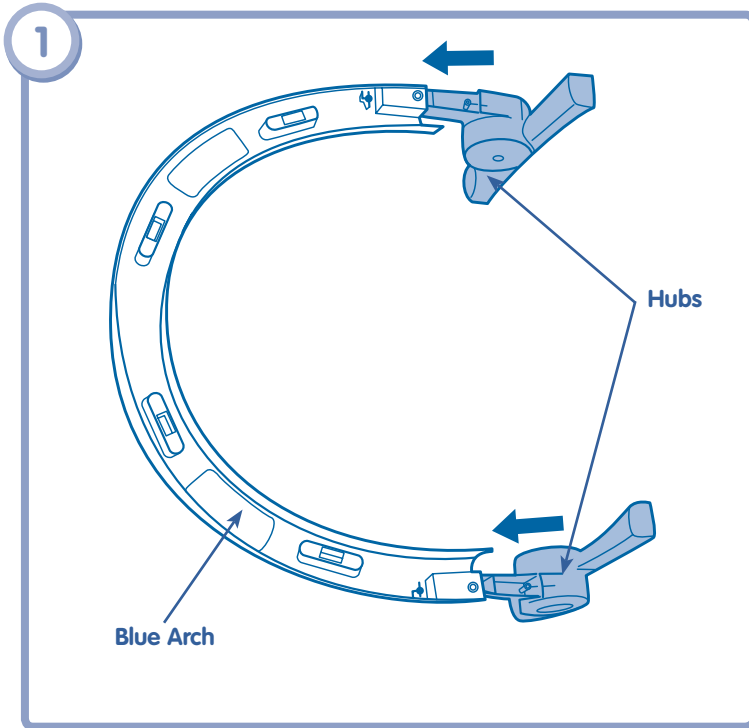


#4 x 1/2" Screw - 12

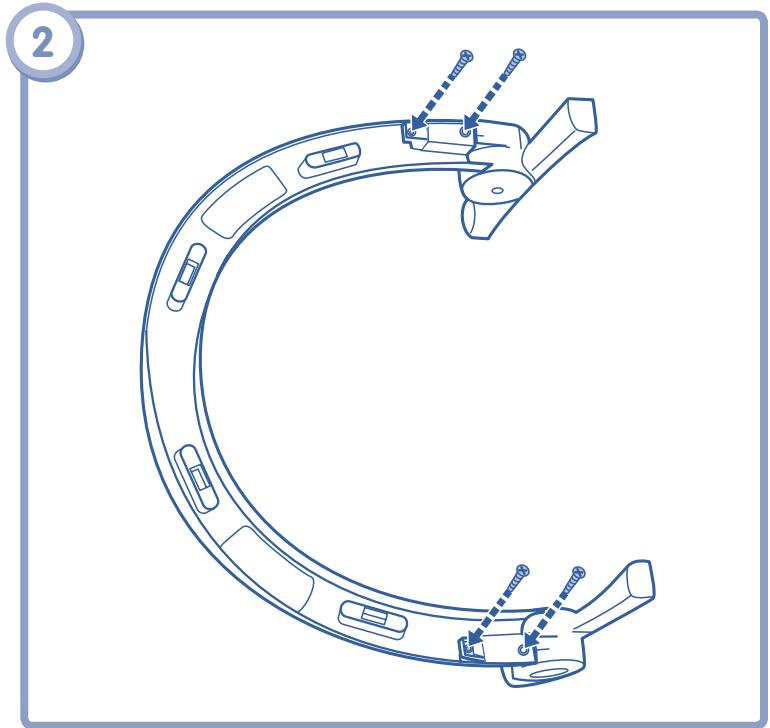
Shown Actual Size

Note: Tighten or loosen all screws with a Phillips screwdriver. Do not over-tighten the screws.

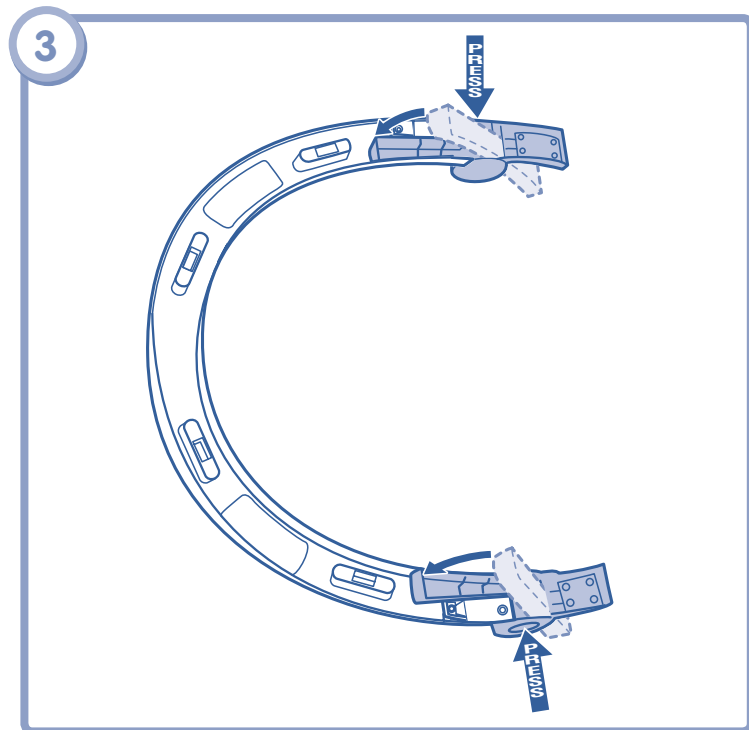
Assembly



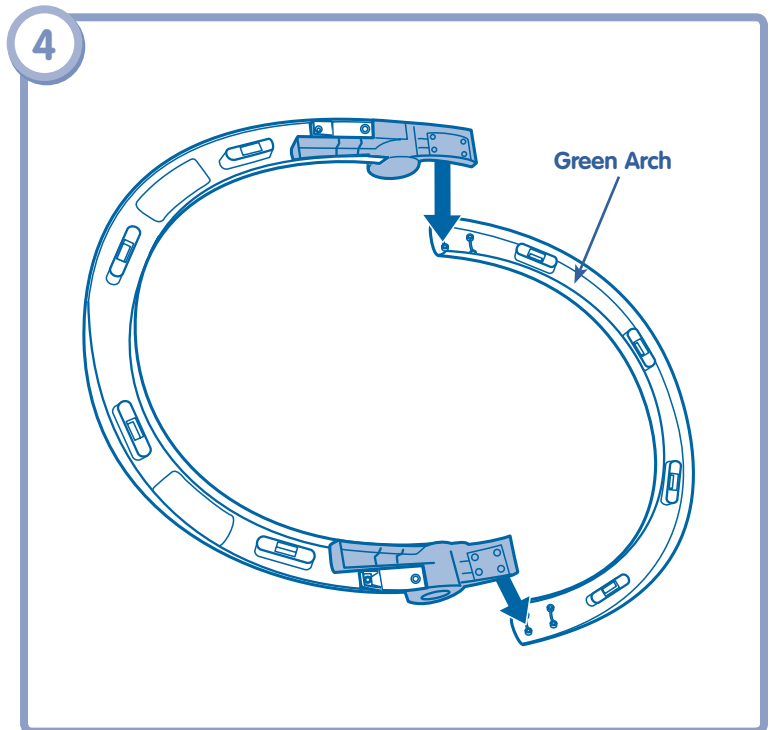
- Fit the hubs into the sockets in the blue arch.



- Insert four screws into the blue arch and tighten.



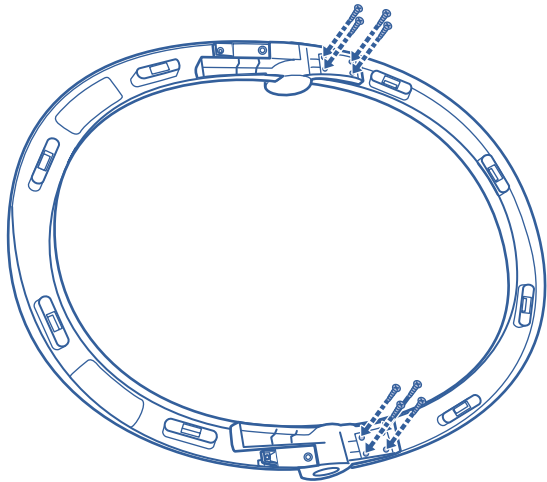
- First, press the button on the side of the hub and then rotate the hub down inside the blue arch.
- Repeat this procedure to the hub on the other side of the blue arch.



- Fit the ends of the blue arch assembly to the pegs on the green arch, as shown.

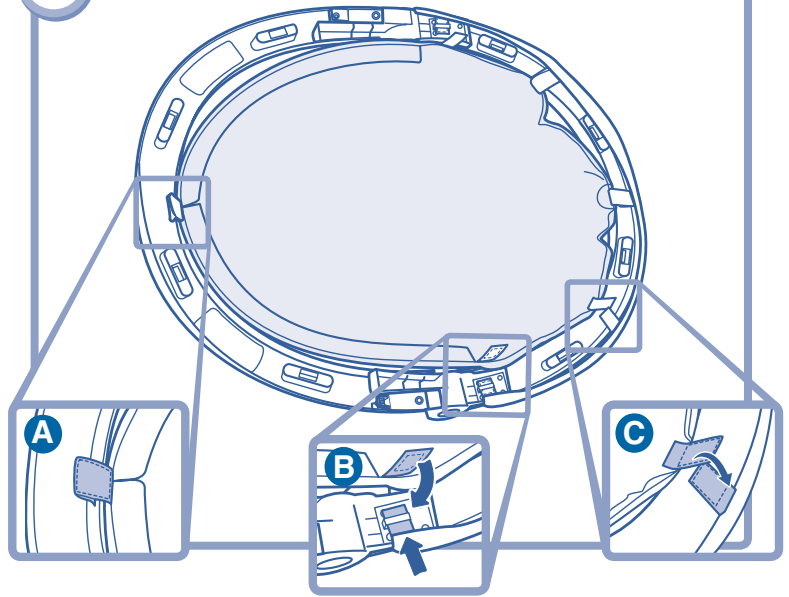
Assembly

5



- Insert four screws into each hub and tighten.

6

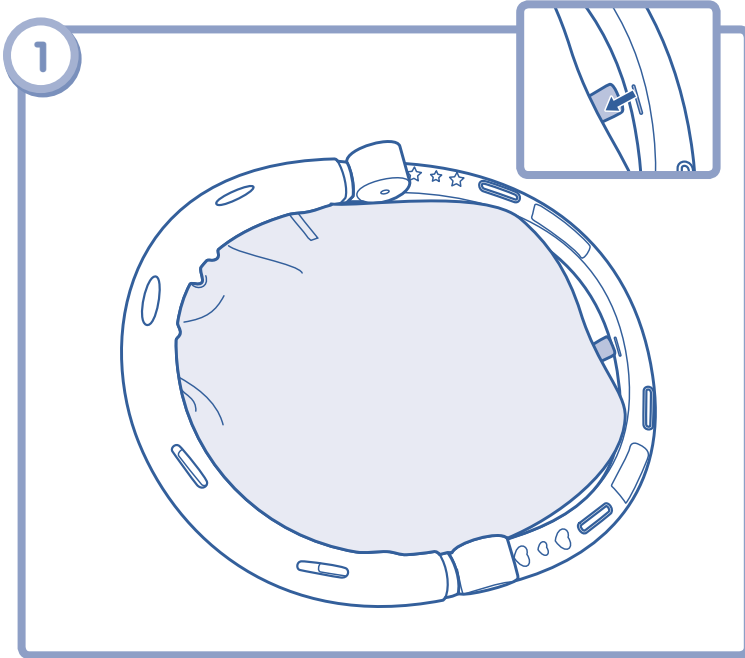


- Locate the half of the quilt that has a single fastener.
- Place the quilt under the arch assembly so that the half of the quilt with a single fastener is under the blue arch.
- **A** Insert the single fastener on the quilt through the matching slot in the blue arch. Fold over the fastener to secure it.
- **B** Insert the straps near the hubs through the matching slots in the arch assembly. Fold the straps over to fasten them.
- **C** Wrap the remaining fasteners around the green arch and press together to secure.
- Turn the assembly upright.

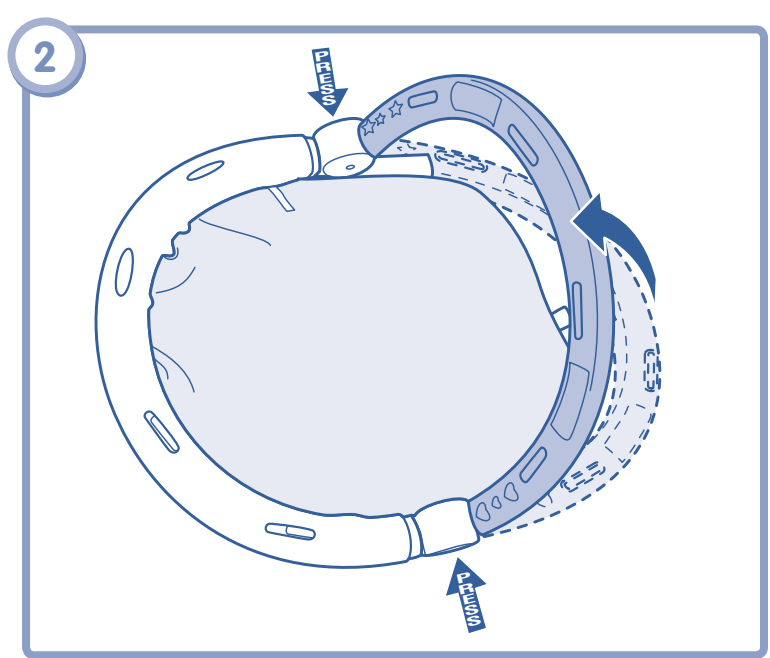
The 3-In-1 Gym™ is now ready for Sit & Play fun.
Fit the toys into any slot!



Switching to Overhead Gym and Tummy Time



- Remove the fastener from the blue arch.



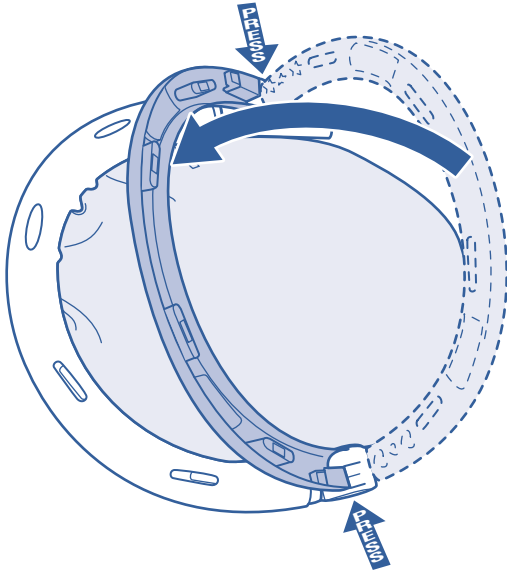
- First, press the buttons on the hubs and then rotate the arch up, until it **"clicks"** in place.

The 3-In-1 Gym™ is now ready for use for Tummy Time Play or Overhead Gym.
Fit the toys into any slot!



Fold Up Storage

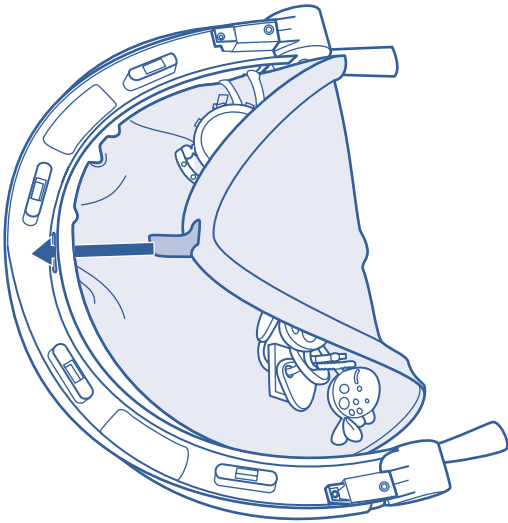
1



- First, press the buttons on the hubs and then rotate the arch down, until it “clicks” in place.

Note: If the 3-In-1 Gym™ is in Sit & Play mode, remove the fastener from the blue arch.

2



- Place the toys on the quilt.
- Fold the quilt over and insert the fastener through the slot in the blue arch. Fold the fastener over to secure.

Care

- Arch: Wipe with a clean cloth dampened with a mild soap and water solution.
- Quilt: Machine wash cold on the gentle cycle. Do not use bleach. Line dry the quilt.
- Soft Toys: Hand wash with cold water. Do not use bleach. Line dry the toys.

Consumer Information

Visit us on line at www.service.fisher-price.com.

Call Fisher-Price® Consumer Relations, toll-free at **1-800-432-5437**, 8 AM - 6 PM EST Monday through Friday. Hearing-impaired consumers using TTY/TDD equipment, please call 1-800-382-7470. Write to us at: Fisher-Price® Consumer Relations, 636 Girard Avenue, East Aurora, New York 14052.

For countries outside the United States:

CANADA: Questions? **1-800-432-5437**. Mattel Canada Inc., 6155 Freemont Blvd., Mississauga, Ontario L5R 3W2; www.service.mattel.com.

GREAT BRITAIN: [Mattel UK Ltd, Vanwall Business Park, Maidenhead SL6 4UB](http://MattelUKLtd.VanwallBusinessPark.MaidenheadSL64UB). Helpline: 01628 500303; www.service.mattel.com/uk

AUSTRALIA: Mattel Australia Pty. Ltd., 658 Church Street, Locked Bag #870, Richmond, Victoria 3121 Australia. Consumer Advisory Service 1300 135 312.

NEW ZEALAND: 16-18 William Pickering Drive, Albany 1331, Auckland.

ASIA: Mattel East Asia Ltd, Room 1106, South Tower, World Finance Centre, Harbour City, Tsimshatsui, HK, China.

Free Manuals Download Website

<http://myh66.com>

<http://usermanuals.us>

<http://www.somanuals.com>

<http://www.4manuals.cc>

<http://www.manual-lib.com>

<http://www.404manual.com>

<http://www.luxmanual.com>

<http://aubethermostatmanual.com>

Golf course search by state

<http://golfingnear.com>

Email search by domain

<http://emailbydomain.com>

Auto manuals search

<http://auto.somanuals.com>

TV manuals search

<http://tv.somanuals.com>