



# Consumer Information



## WARNING

To prevent entanglement injury, never place gym in a crib or playpen.  
Never add strings, ties or other products to the gym.



## CONSUMER ASSISTANCE

Call toll free: 1-800-432-5437 (US & Canada only)  
M-F 9AM to 7PM / SAT 11AM to 5PM (EST)

[service.fisher-price.com](http://www.service.fisher-price.com)

Write to us at: Fisher-Price® Consumer Relations,  
636 Girard Avenue, East Aurora, New York 14052.

Hearing-impaired consumers using TTY/TDD equipment,  
please call 1-800-382-7470.

For countries outside the United States:

Canada: Mattel Canada Inc., 6155 Freemont Blvd.,  
Mississauga, Ontario L5R 3W2; [www.service.mattel.com](http://www.service.mattel.com).

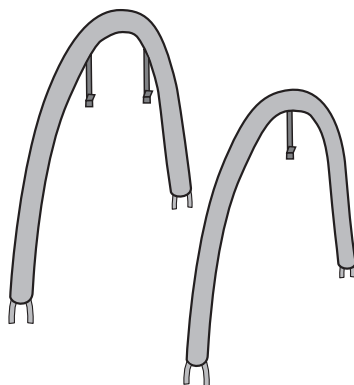
Great Britain: [Mattel UK Ltd, Vanwall Business Park,  
Maidenhead SL6 4UB, Helpline: 01628 500303,  
www.service.mattel.com/uk](http://www.service.mattel.com/uk)

Australia: Mattel Australia Pty. Ltd., 658 Church Street,  
Locked Bag #870, Richmond, Victoria 3121 Australia.  
Consumer Advisory Service 1300 135 312.

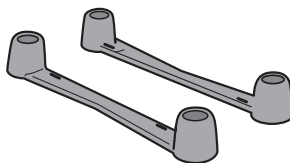
New Zealand: 16-18 William Pickering Drive,  
Albany 1331, Auckland.

Asia: Mattel East Asia Ltd, Room 1106, South Tower,  
World Finance Centre, Harbour City, Tsimshatsui, HK, China.

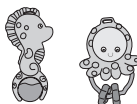
## Parts



2 Tubes



2 Supports

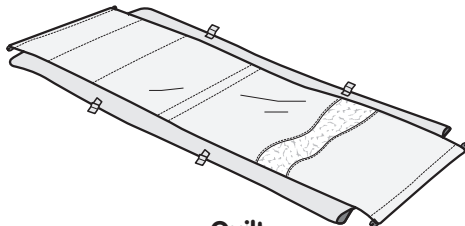


2 Hanging Toys



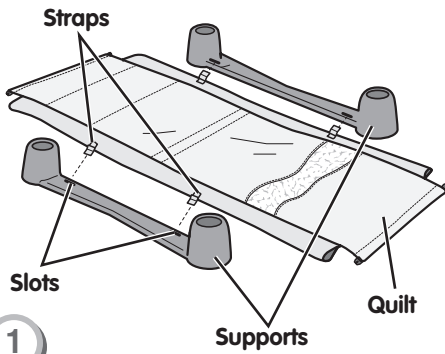
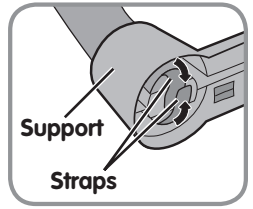
Inflatable Ball

- Please keep this instruction sheet for future reference, as it contains important information.
- Adult assembly is required.
- No tools required for assembly.

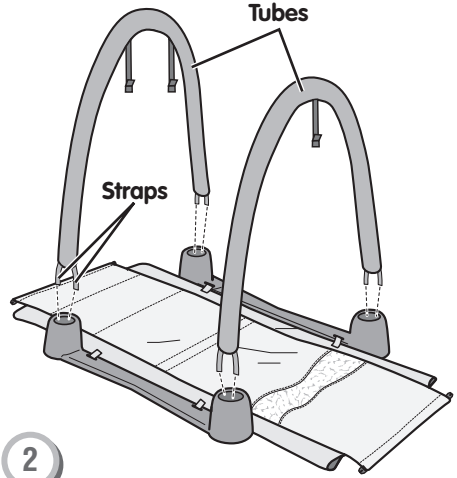


Quilt

# Overhead Gym

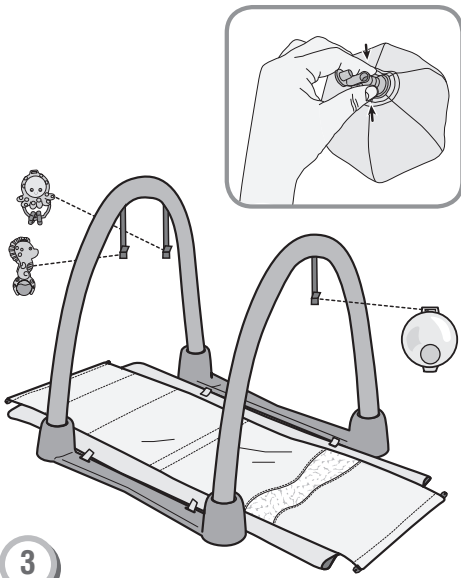


- Place the quilt, print side up, on a flat surface.
- Fit the "T" end of each strap on the quilt through the slots in the supports. Pull up on the quilt to be sure it is secure.

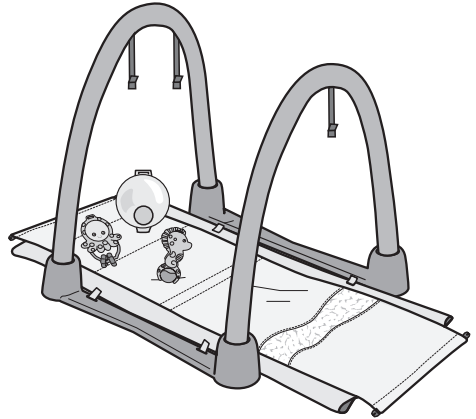


- Locate both straps on the bottom of one of the tubes.
- Fit the ends of each strap into the support post.
- Turn the support over and fasten the straps.
- Repeat this procedure to attach the remaining tube ends to the supports.

# Convert for Tummy-Time Play

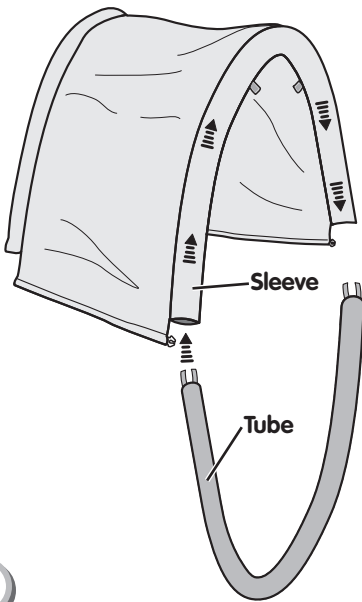
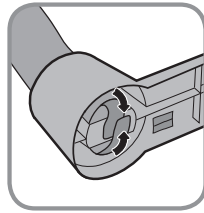


- Squeeze the stem to inflate the ball.
- Fasten the toys and inflatable ball to the straps on the arches.



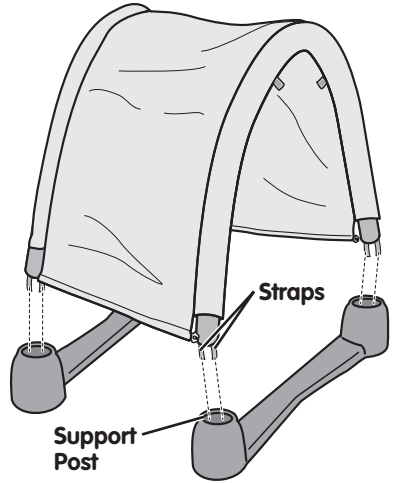
- Remove the toys and inflatable ball from the straps on the arches.
- Place the toys on the quilt for baby.

# Crawl-Through Fun



1

- Slide each tube through the sleeve in each side of the quilt.

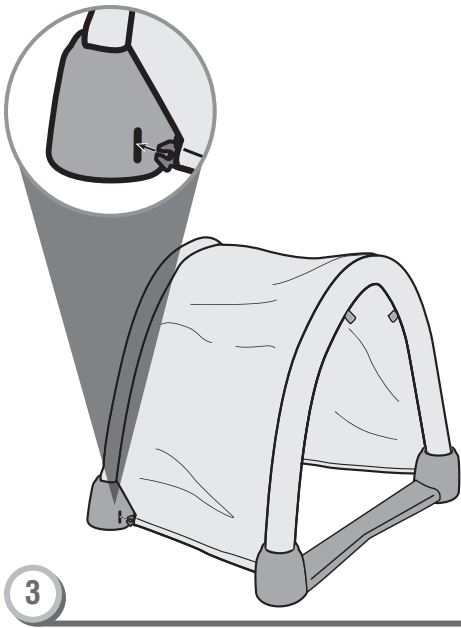


2

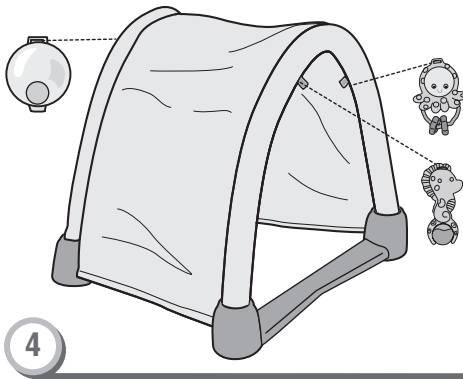
- Position the supports so the slots are facing inward.
- Locate both straps on the bottom of one of the tubes.
- Fit the ends of each strap into the support post.
- Turn the support over and fasten the straps.
- Repeat this procedure to attach the remaining tube ends to the supports.

## Care

- Machine wash the play quilt in cold water on the gentle cycle. Do not use bleach. Tumble dry on low heat.
- Surface wash the tubes, toys, ball and supports with a mild cleaning solution and damp cloth. Do not use bleach. Rinse clean to remove residue.



- Fit the plastic tabs on each end of the quilt into the slots in the supports.



- Attach the toys and the ball to the fasteners on the sleeves.

## Free Manuals Download Website

<http://myh66.com>

<http://usermanuals.us>

<http://www.somanuals.com>

<http://www.4manuals.cc>

<http://www.manual-lib.com>

<http://www.404manual.com>

<http://www.luxmanual.com>

<http://aubethermostatmanual.com>

Golf course search by state

<http://golfingnear.com>

Email search by domain

<http://emailbydomain.com>

Auto manuals search

<http://auto.somanuals.com>

TV manuals search

<http://tv.somanuals.com>