



**IMPORTANT! KEEP FOR FUTURE REFERENCE.**

**[www.fisher-price.co.uk](http://www.fisher-price.co.uk)**

## Consumer Information

### WARNING

#### To prevent serious injury or death:

- **Fall Hazard** - Never use on any elevated surface, since child's movement may cause product to slide or tip over. Use only on a floor.
- **Suffocation Hazard** - Never use on a soft surface (bed, sofa, cushion) since product can tip over and cause suffocation in soft surfaces.
- Never use as a carrier or lift while child is seated. Never use toy bar to carry product.
- Always use the restraint system.
- This product is not intended to replace a cot or bed for prolonged periods of sleep.
- Never leave child unattended.
- Do not use product once child can sit unaided.

### CAUTION

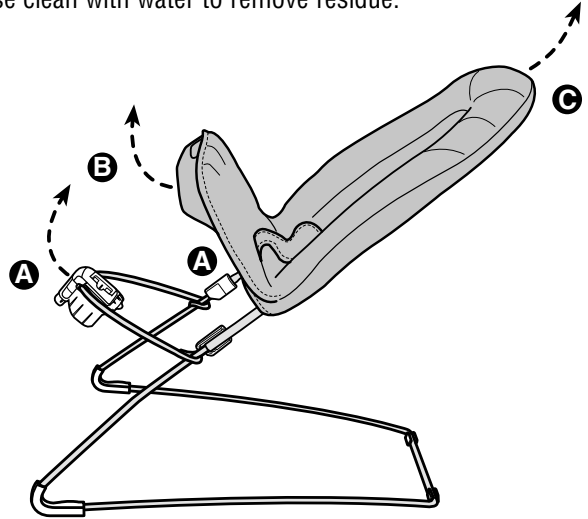
This package contains small parts in an unassembled state. Adult assembly is required.

**IMPORTANT!** Please keep this instruction sheet for future reference, as it contains important information.

- Please read these instructions before assembly and use of this product.
- Adult assembly is required. Tool needed for assembly: Phillips Screwdriver (not included).
- Requires one "D" (LR20) **alkaline** battery for soothing unit operation. Requires one "AAA" (LR03) **alkaline** battery for toy bar operation. Batteries not included.
- Weight limit: 9 kg (20 lbs)
- This product does not replace a cot or bed. Should the child need to sleep, place the child in a suitable cot or bed.
- Product features and decorations may vary from photographs.

#### Care

- The pad and head support are machine washable. Wash them separately in cold water on the gentle cycle. Do not use bleach. Tumble dry separately on low heat and remove promptly.
- The frame, toy bar and toys may be wiped clean using a mild cleaning solution and damp cloth. Do not immerse the toy bar. Do not use bleach. Do not use harsh or abrasive cleaners. Rinse clean with water to remove residue.



#### To remove the pad:

- Pull to remove the pad from around the retainers and the soothing unit **A**.
- Remove the bottom pocket of the pad from the footrest **B**.
- Lift to remove the pad **C**.
- To replace the pad, refer to Assembly steps 7 - 9.



**Great Britain:** Vanwall Business Park, Maidenhead SL6 4UB.  
Helpline: 01628 500303. [www.service.mattel.com/uk](http://www.service.mattel.com/uk).

**Mattel Europa, B.V.,** Gondel 1, 1186 MJ Amstelveen, Nederland.

**Australia:** Mattel Australia Pty. Ltd., 658 Church Street, Locked Bag #870, Richmond, Victoria 3121 Australia. Consumer Advisory Service 1300 135 312.

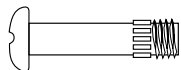
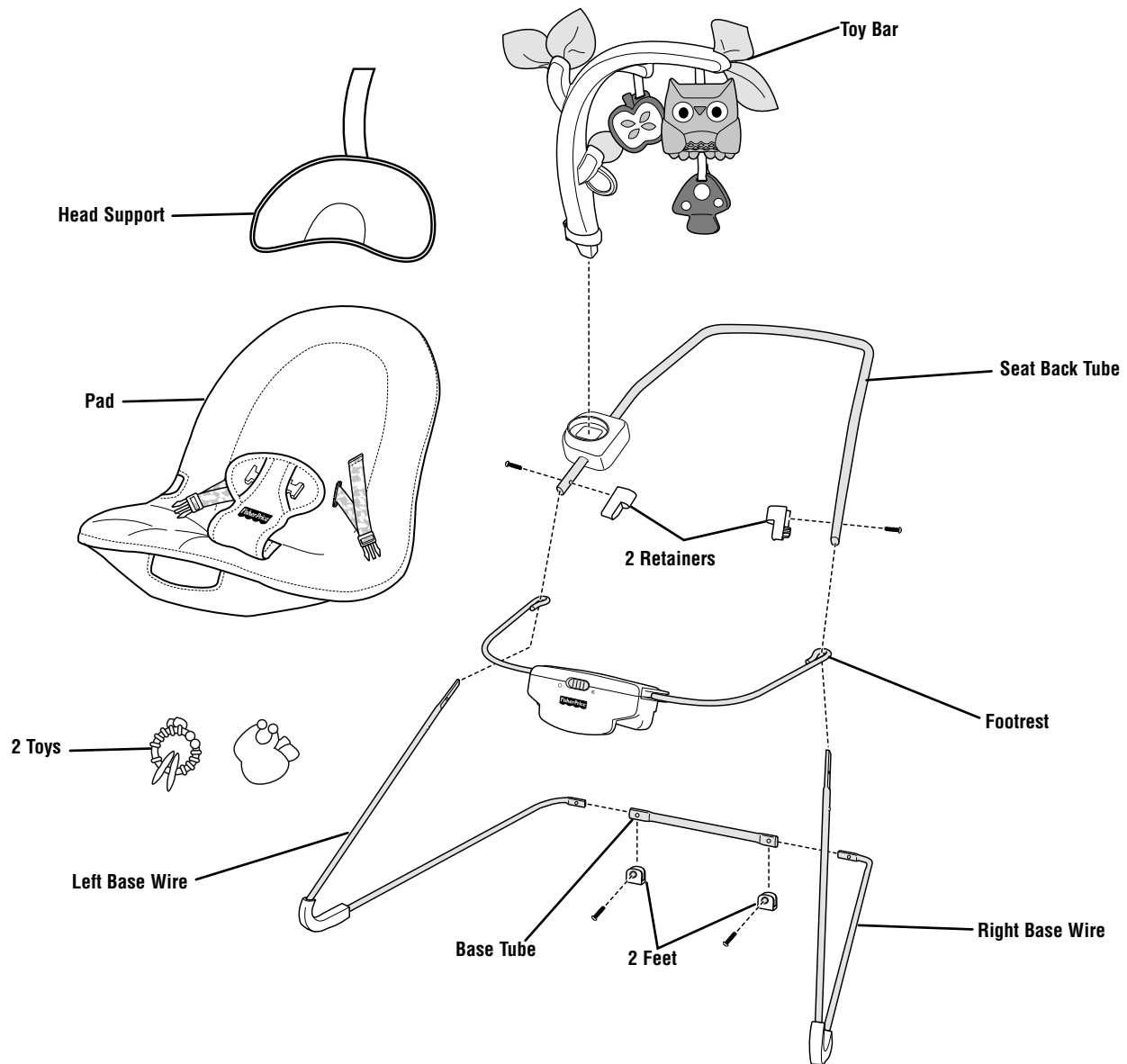
**New Zealand:** 16-18 William Pickering Drive, Albany 1331, Auckland.

**Asia:** Mattel East Asia Ltd, Room 1106, South Tower, World Finance Centre, Harbour City, Tsimshatsui, HK, China.

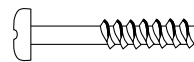
**Malaysia:** Diimport & Diedarkan Oleh: Mattel SEA Ptd Ltd. (993532-P) Lot 13.5, 13th Floor, Menara Lien Hoe, Persiaran Tropicana Golf Country Resort, 47410 PJ. Tel: +603-3341 9052.

# Parts

**IMPORTANT!** Please remove all parts from the package and identify them before assembly. Some parts may be packed in the pad.



M5 x 20 mm Screw – 2

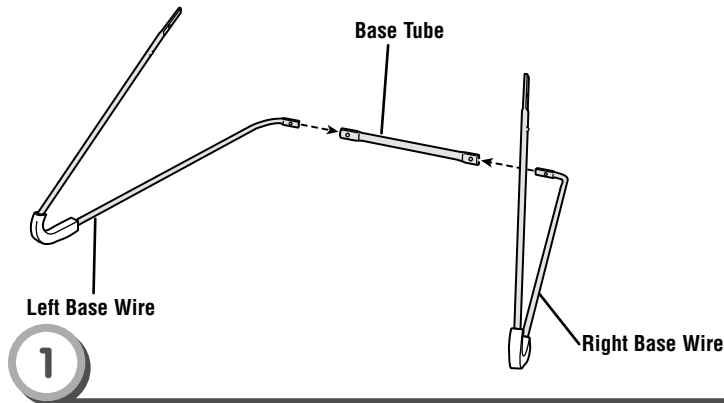


#8 x 2,2 cm Screw – 2

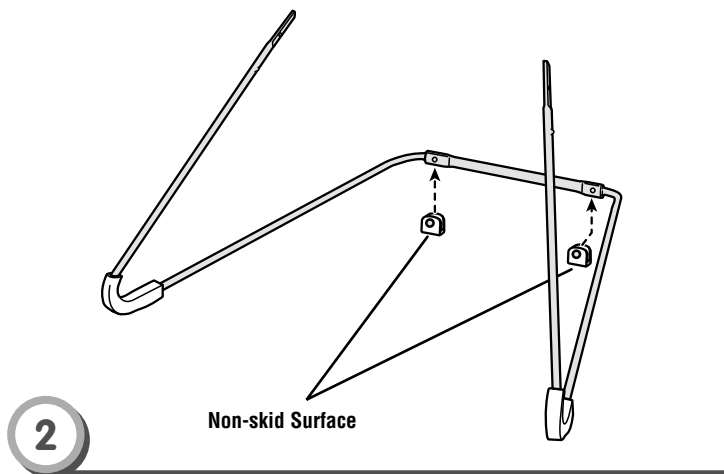
**Note:** Screws shown actual size. Tighten or loosen all screws with a Phillips screwdriver. Do not over-tighten the screws.

# Assembly

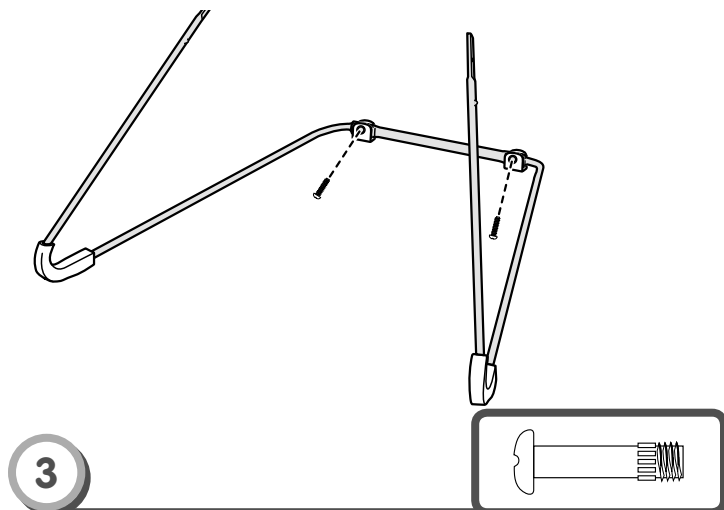
**IMPORTANT!** Before assembly and each use, inspect this product for damaged hardware, loose joints, missing parts or sharp edges. DO NOT use if any parts are missing or broken. Contact Mattel for replacement parts and instructions if needed. Never substitute parts.



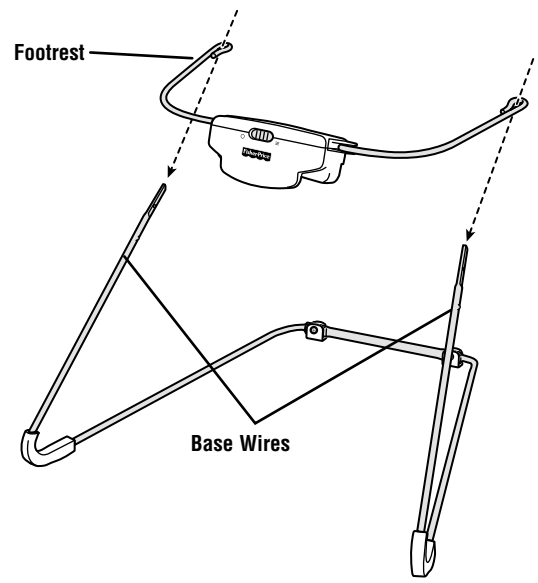
- Place the base tube on a flat surface.
- Position the left and right base wires as shown.
- Fit the left base wire and right base wire into the base tube.



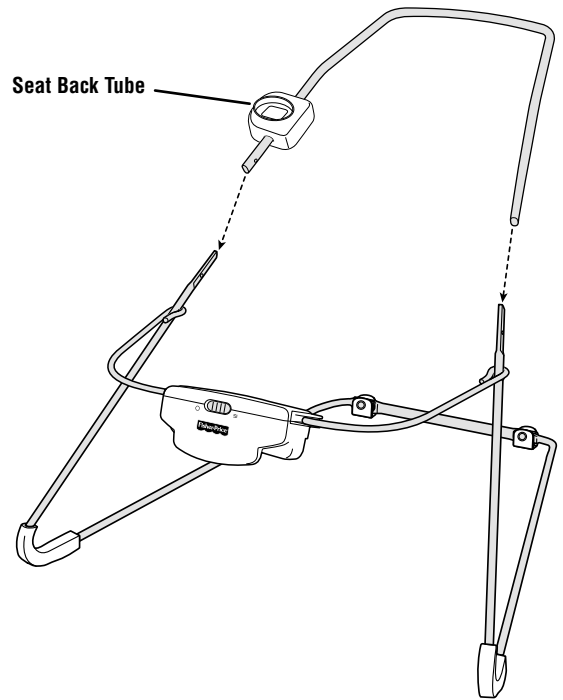
- Position the feet so the **non-skid surface is down**.
- Fit the feet on the base tube, as shown.



- Insert an M5 x 20 mm screw through each foot and tighten.

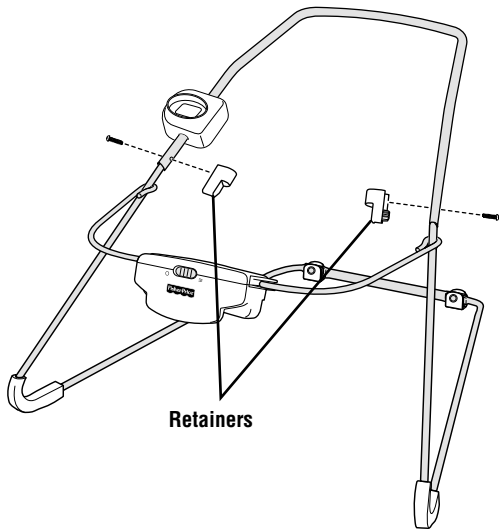


- Position the footrest so that the soothing unit is upright.
- Fit the footrest onto the ends of the base wires.

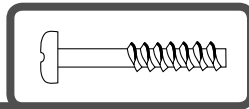


- Fit the seat back tube onto the ends of the base wire.
- Push the seat back tube to be sure it is completely on the base wires.

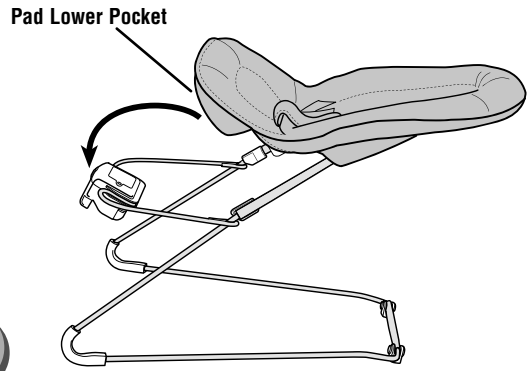
# Assembly



6

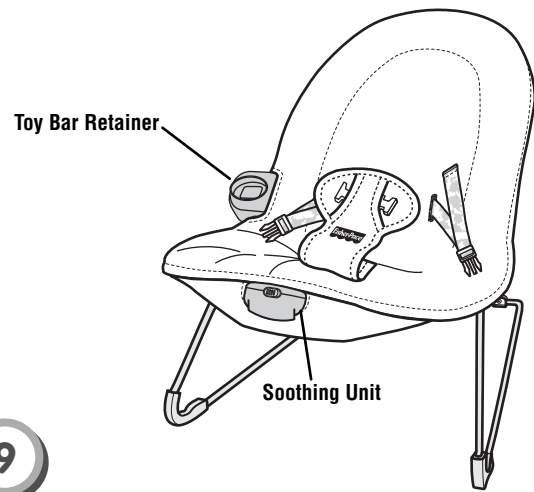


- Fit a retainer to the **inside** of each end of the seat back tube.
- Insert #8 x 2,2 cm screw into the **outside** hole in the ends of the seat back tube and tighten.
- Pull the seat back tube up to be sure it is secure. If you can remove either end of the seat back tube, you have not assembled the retainers correctly. Remove the screws, re-read and repeat. Assembly steps 5 and 6.



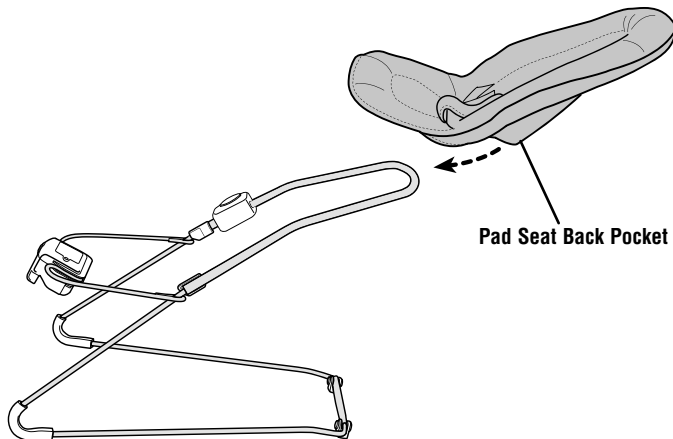
8

- Fit the lower pocket on the back of the pad onto the footrest.



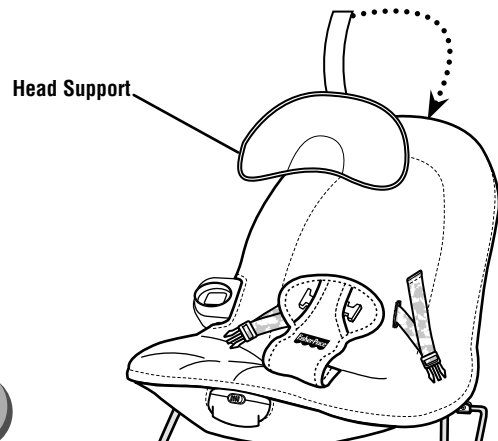
9

- Fit the toy bar retainer through the side opening in the pad.
- Fit the edges of the soothing unit through the large opening in the front of the pad.



7

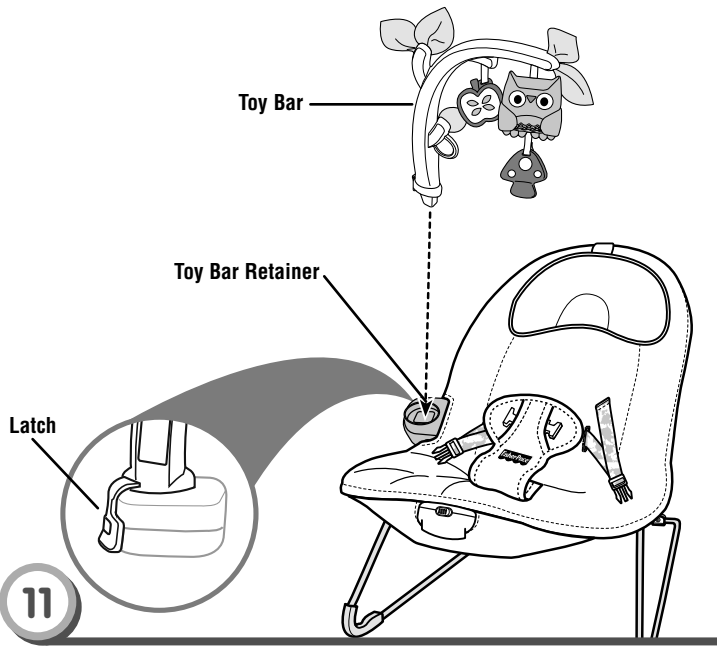
- Position the pad above the frame.
- Fit the upper pocket on the back of the pad onto the seat back tube.



10

- Press the head support strap to the fastener on the back of the pad.
- Hint:** You can move the head support up or down for your baby's comfort.

## Assembly



- Insert and “snap” the toy bar into the toy bar retainer.
- Press the latch the end of the toy bar to the tab on the socket.

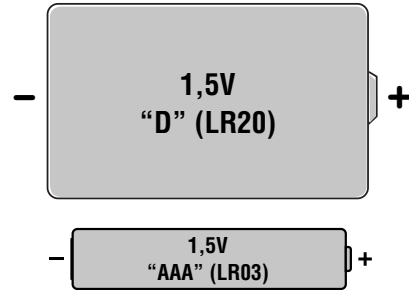
**Hint:** The toy bar is removable. Pull the end of the latch and lift the toy bar.



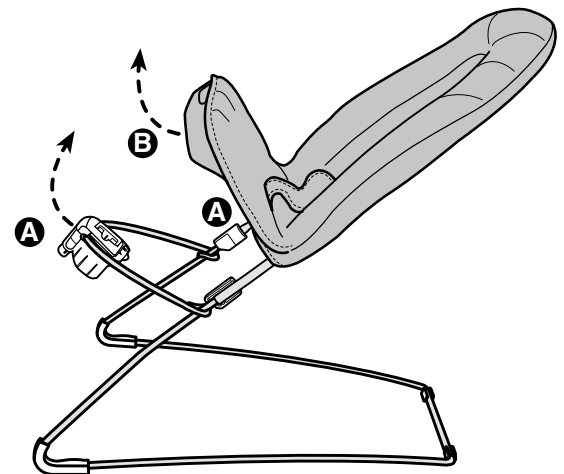
- Clip the removable toys to the hanging toys on the toy bar.

## Battery Installation

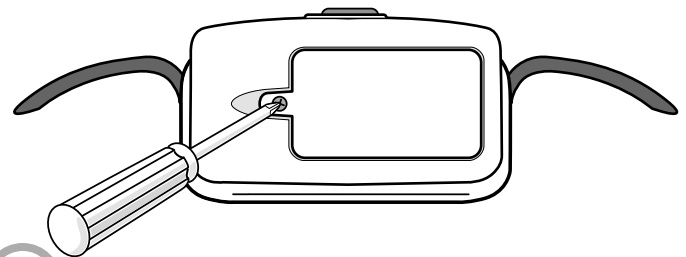
**Hint:** We recommend using **alkaline** batteries for longer battery life.



- Protect the environment by not disposing of this product with household waste (2002/96/EC). Check your local authority for recycling advice and facilities.



- Pull to remove the pad from around the toy bar retainer and the soothing unit **A**.
- Remove the pad bottom pocket from the footrest **B**.

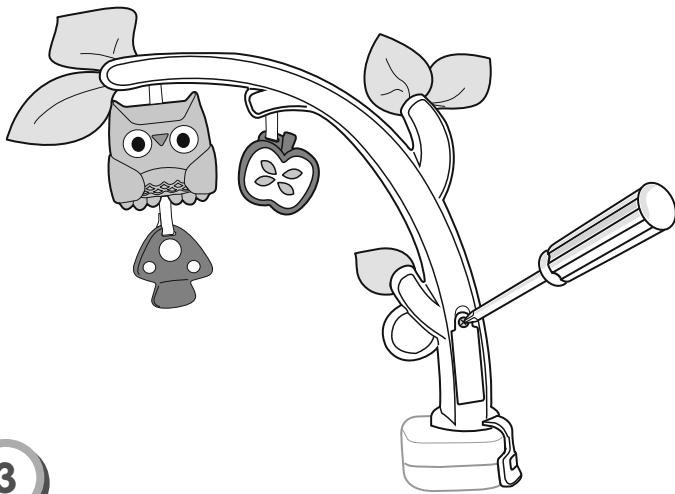


### Soothing Unit

- Loosen the screw in the battery compartment door. Remove the battery compartment door.
- Insert one “D” (LR20) **alkaline** battery into the battery compartment.
- Replace the battery compartment door and tighten the screw.
- Fit the toy bar retainer through the side opening in the pad.
- Pull and fit the pad seat bottom pocket around the soothing unit and footrest.
- If this product begins to operate erratically, you may need to reset the electronics. Slide the power switch off and then back on.



## Battery Installation



3

### Toy Bar

- Loosen the screw in the battery compartment door with a Phillips screwdriver. Remove the battery compartment door.
- Insert one "AAA" (LR03) **alkaline** battery into the battery compartment.
- Replace the battery compartment door and tighten the screw.
- If the toy bar begins to operate erratically, you may need to reset the electronics. Remove the battery and reinstall.

## Battery Safety Information

**In exceptional circumstances, batteries may leak fluids that can cause a chemical burn injury or ruin your product. To avoid battery leakage:**

- Do not mix old and new batteries or batteries of different types: alkaline, standard (carbon-zinc) or rechargeable (nickel-cadmium).
- Insert batteries as indicated inside the battery compartment.
- Remove batteries during long periods of non-use. Always remove exhausted batteries from the product. Dispose of batteries safely. Do not dispose of this product in a fire. The batteries inside may explode or leak.
- Never short-circuit the battery terminals.
- Use only batteries of the same or equivalent type as recommended.
- Do not charge non-rechargeable batteries.
- Remove rechargeable batteries from the product before charging.
- If removeable, rechargeable batteries are used, they are only to be charged under adult supervision.

## Setup and Use



## WARNING

### To prevent serious injury or death:

- **Fall Hazard** - Never use on any elevated surface, since child's movement may cause product to slide or tip over. Use only on a floor.
- **Suffocation Hazard** - Never use on a soft surface (bed, sofa, cushion) since product can tip over and cause suffocation in soft surfaces.
- Never use as a carrier or lift while child is seated. Never use toy bar to carry product.
- Always use the restraint system.
- This product is not intended to replace a cot or bed for prolonged periods of sleep.
- Never leave child unattended.
- Do not use product once child can sit unaided.

Restraint Pad



Restraint Belts

1

### Securing Your Infant

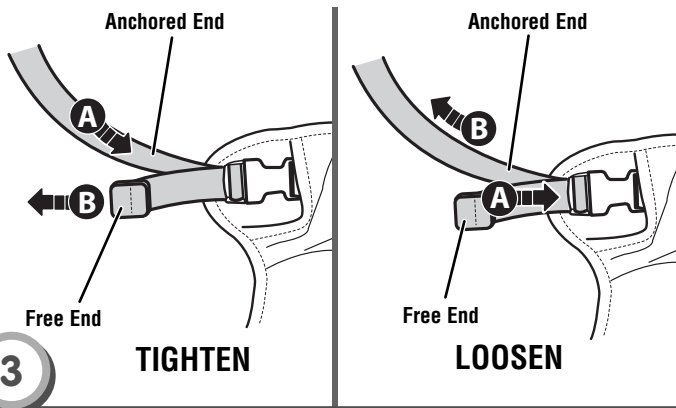
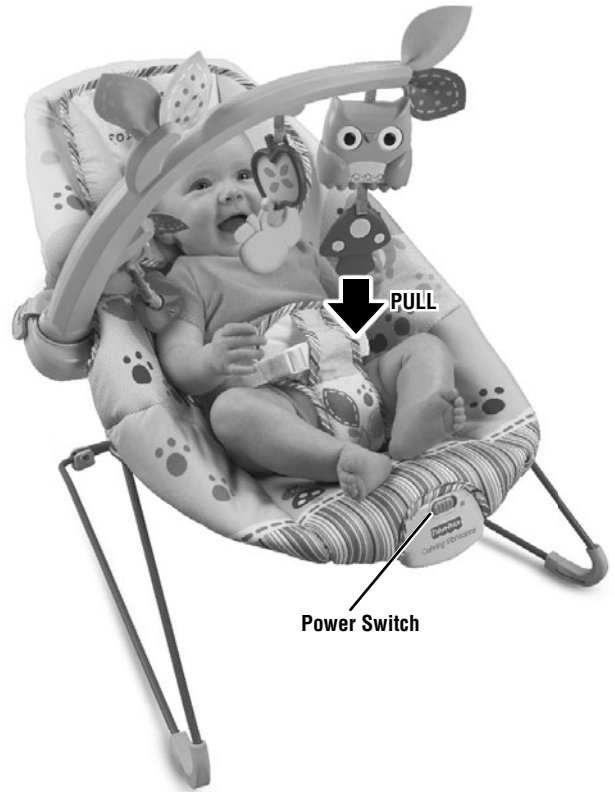
- Place your child in the seat. Position the restraint pad between your child's legs.
- Fasten the restraint belts to the restraint pad. **Make sure you hear a "click" on both sides.**
- Check to be sure the restraint system is securely attached by pulling it away from your child. The restraint system should remain attached.

## Setup and Use

## Soothing Unit and Toy Bar



- Tighten each waist belt so that the restraint system is snug against your child. Please refer to the next section for instructions to tighten the waist belts.



### To tighten the restraint belts:

- Feed the anchored end of the restraint belt up through the buckle to form a loop **A**. Pull the free end of the restraint belt **B**.

### To loosen the restraint belts:

- Feed the free end of the restraint belt up through the buckle to form a loop **A**. Enlarge the loop by pulling on the end of the loop toward the buckle. Pull the anchored end of the restraint belt to shorten the free end of the restraint belt **B**.

- Make sure your child is properly secured in the seat.
  - Slide the power switch to: Vibrations or Off.
- IMPORTANT!** Low battery power causes this product to operate erratically: no vibrations and the product may not turn off. Remove and discard the battery and replace with a new "D" (LR20) alkaline battery.
- Pull the toy for sounds.



## Free Manuals Download Website

<http://myh66.com>

<http://usermanuals.us>

<http://www.somanuals.com>

<http://www.4manuals.cc>

<http://www.manual-lib.com>

<http://www.404manual.com>

<http://www.luxmanual.com>

<http://aubethermostatmanual.com>

Golf course search by state

<http://golfingnear.com>

Email search by domain

<http://emailbydomain.com>

Auto manuals search

<http://auto.somanuals.com>

TV manuals search

<http://tv.somanuals.com>