



www.fisher-price.com

N1450

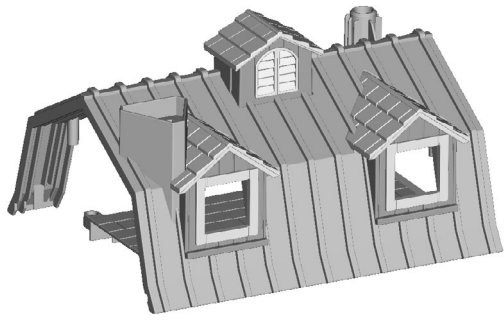


Airplane, tracks and train sold separately and subject to availability.

GeoTrax™

Transportation System

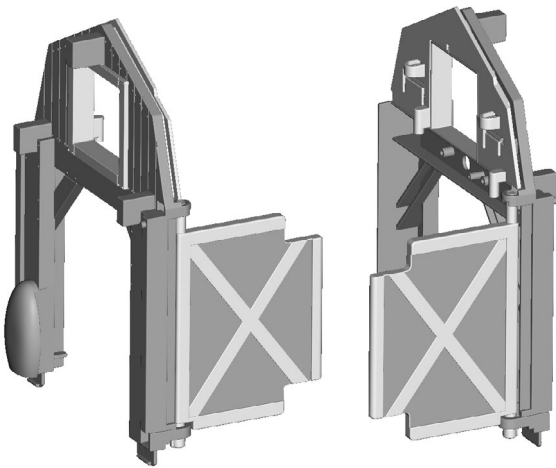
Assembled Parts



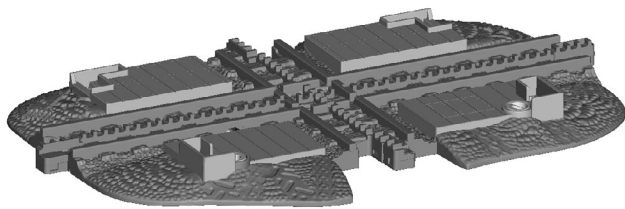
Roof



Windmill and Smokestack Track



2 Barn Walls



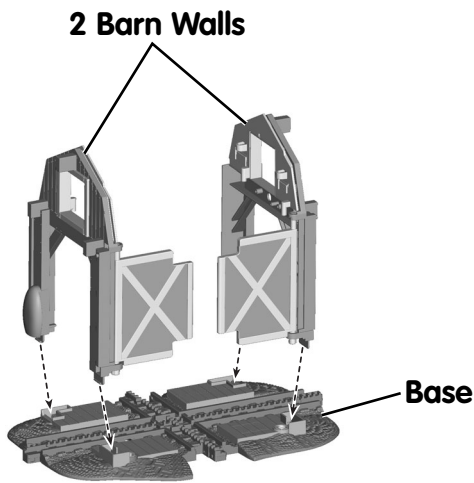
Base



2 Air Tracks

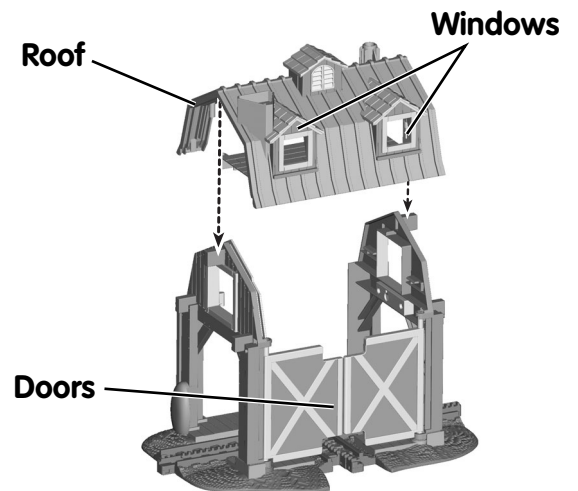
Assembly

1



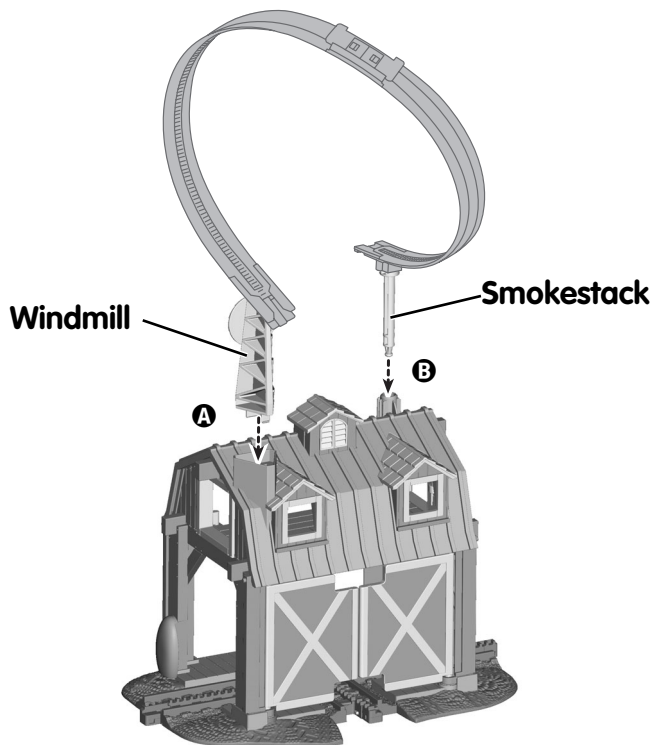
- Fit the barn walls onto the base.
 - Push down on each wall to **"snap"** in place.
- Hint:** Each wall will only fit on the base one way. If a wall does not seem to fit, try the other wall.

2



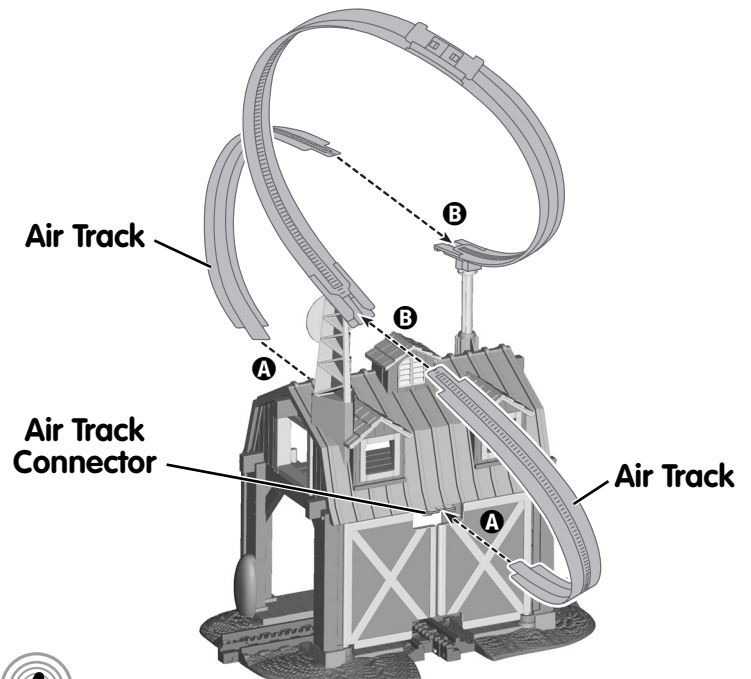
- Fit the roof onto the barn walls.
- Hint:** The windows on the roof should be above the barn doors.

3



- **"Snap"** the windmill into the roof **A**.
- Hint:** The windmill will only fit in the roof one way. If it does not seem to fit, turn it around and try again.
- The ends of the track must face opposite directions. Twist the track and then insert and **"snap"** the smokestack into the roof **B**.

4



- First connect an air track to each end of the air track connector **A**.
- Attach the free end of the air tracks to the windmill and smokestack **B**.

Fisher-Price®

GeoTrax™

Transportation System

Please keep this instruction sheet for future reference, as it contains important information.
Adult assembly is required. No tools required for assembly.
Wipe the toy with a clean, damp cloth. Do not immerse. Do not drop this toy on a hard surface.
This toy has no consumer serviceable parts. Do not take this toy apart.

Visit www.fisher-price.com
to see the entire world
of GeoTrax® accessories!



CONSUMER ASSISTANCE

Call toll free: 1-800-432-5437 (US & Canada only)
M-F 9AM to 7PM / SAT 11AM to 5PM (EST)

service.fisher-price.com

Write to us at: Fisher-Price® Consumer Relations,
636 Girard Avenue, East Aurora, New York 14052.

Hearing-impaired consumers using TTY/TDD equipment,
please call 1-800-382-7470.

For countries outside the United States:

Canada: Mattel Canada Inc., 6155 Freemont Blvd.,
Mississauga, Ontario L5R 3W2; www.service.mattel.com.

Great Britain: Mattel UK Ltd, Vanwall Business Park,
Maidenhead SL6 4UB, Helpline: 01628 500303,
www.service.mattel.com/uk

Australia: Mattel Australia Pty. Ltd., 658 Church Street,
Locked Bag #870, Richmond, Victoria 3121 Australia.
Consumer Advisory Service 1300 135 312.

New Zealand: 16-18 William Pickering Drive,
Albany 1331, Auckland.

Asia: Mattel East Asia Ltd, Room 1106, South Tower,
World Finance Centre, Harbour City, Tsimshatsui, HK, China.

Free Manuals Download Website

<http://myh66.com>

<http://usermanuals.us>

<http://www.somanuals.com>

<http://www.4manuals.cc>

<http://www.manual-lib.com>

<http://www.404manual.com>

<http://www.luxmanual.com>

<http://aubethermostatmanual.com>

Golf course search by state

<http://golfingnear.com>

Email search by domain

<http://emailbydomain.com>

Auto manuals search

<http://auto.somanuals.com>

TV manuals search

<http://tv.somanuals.com>