

**Fisher-Price®**

# Cozy Time™ Bassinet



**Model Numbers: 79658, 79659**

Please keep this instruction sheet for future reference,  
as it contains important information.

Tool needed for assembly: Phillips screwdriver (not included).

Requires one "C" (LR14) **alkaline** battery (not included) for operation.

Use only for a child who is unable to push up on hands and knees,  
pull up or sit unassisted.

[www.fisher-price.com](http://www.fisher-price.com)

## **WARNING**

### **Failure to follow these warnings and instructions could result in serious injury or death.**

To reduce the risk of Sudden Infant Death Syndrome (SIDS), normal healthy infants should always sleep on their backs unless otherwise advised by a pediatrician.

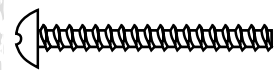
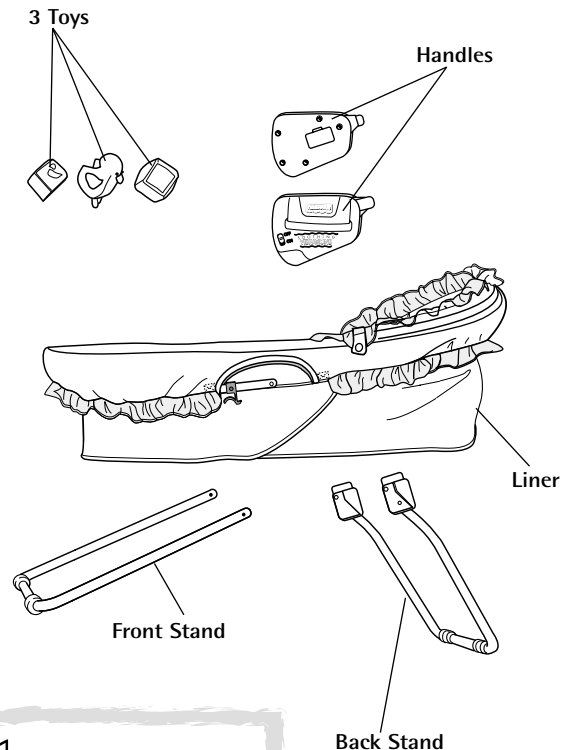
- **Infants can suffocate:**
  - In gaps between an extra pad and side of the bassinet.
  - On soft bedding.
- Never add a mattress, pillow, comforter or padding. Use **ONLY** the pad provided by the manufacturer.
- **To prevent falls:**
  - Do not use this product when infant begins to push up on hands and knees.
  - Never place product on an elevated surface.
  - When used as an infant seat, always use restraint.
- **To prevent strangulation:**
  - Never place items with strings, such as hood strings or pacifier cords, around a child's neck.
  - Never place product near a window where cords from blinds or drapes can strangle a child.
- Never leave child unattended.

Occasionally a consumer may experience a problem with one of our products. If this should happen, please call us toll-free, rather than return this product to the store. Usually, we can solve the problem over the telephone or send you replacement parts.

Please call Fisher-Price® Consumer Relations, toll-free at **1-800-432-KIDS**, 8 AM - 6 PM EST Monday through Friday. Hearing-impaired consumers using TTY/TDD equipment, please call 1-800-382-7470.

Or, write to:  
 Fisher-Price® Consumer Relations  
 636 Girard Avenue  
 East Aurora, New York 14052

## Parts



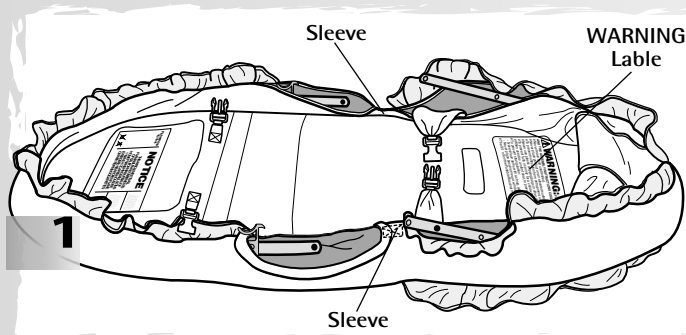
#8 x 1 1/4" Screw - 6  
 Shown Actual Size

# Assembly

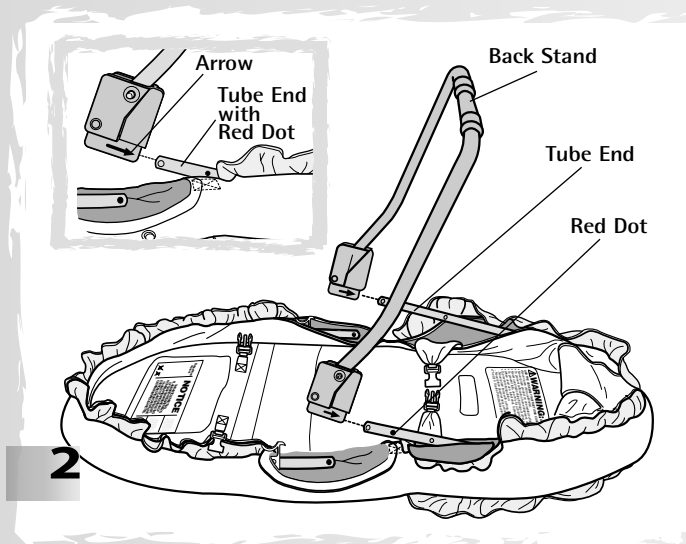
**IMPORTANT!** Before assembly, inspect this product for damaged hardware, loose joints, missing parts or sharp edges.

## CAUTION

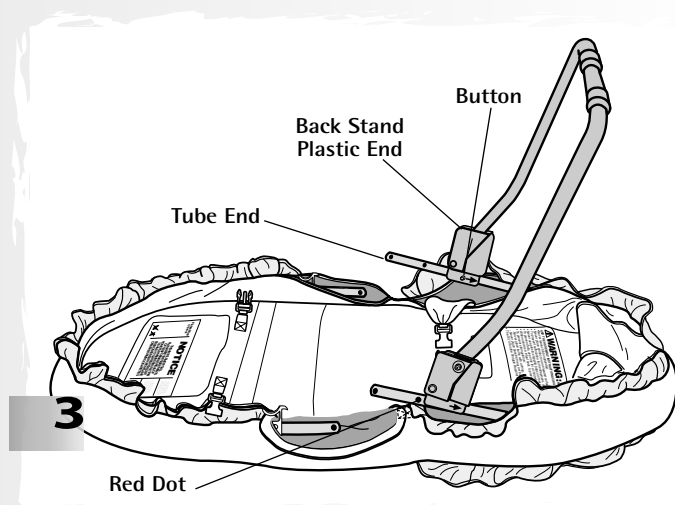
This package contains small parts in its unassembled state. Adult assembly is required.



- Position the liner upside down on a flat surface.
- Note the locations of the sleeves, on each side of the liner near the **WARNING label**.



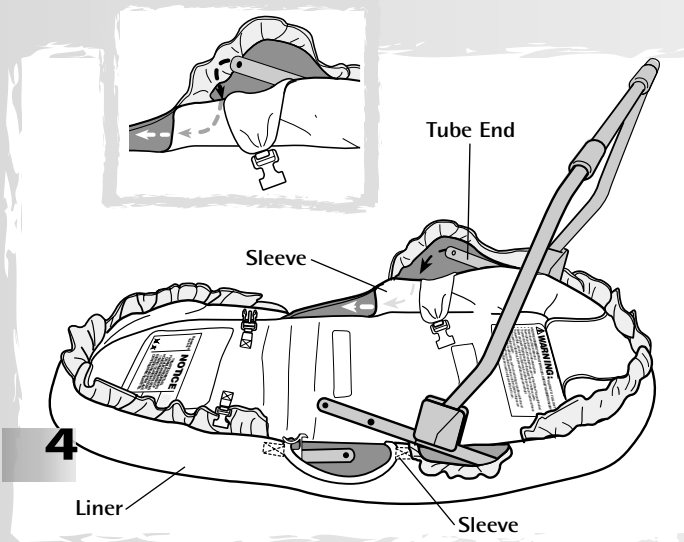
- Locate the tube ends with red dots on them.
- Position the back stand so that it leans toward these tube ends. Make sure the arrows on the ends of the back stand point toward the tube ends.
- Slide the ends of the back stand onto the tube ends.



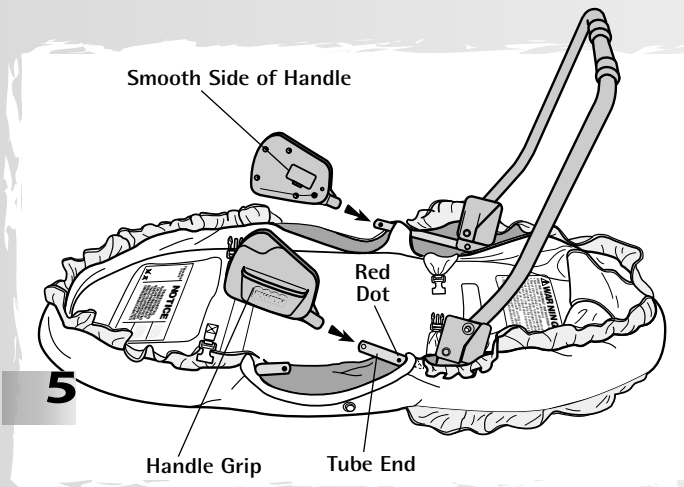
- While pushing the buttons on the tubes, continue to slide the back stand over the buttons. Make sure the buttons "snap" into the holes in the plastic ends of the back stand.

**IMPORTANT!** If you cannot slide the back stand completely onto the tube ends (so that the buttons "snap" into the holes), you have probably assembled the back stand incorrectly. Turn the back stand around and follow steps 2 and 3 again.

# Assembly



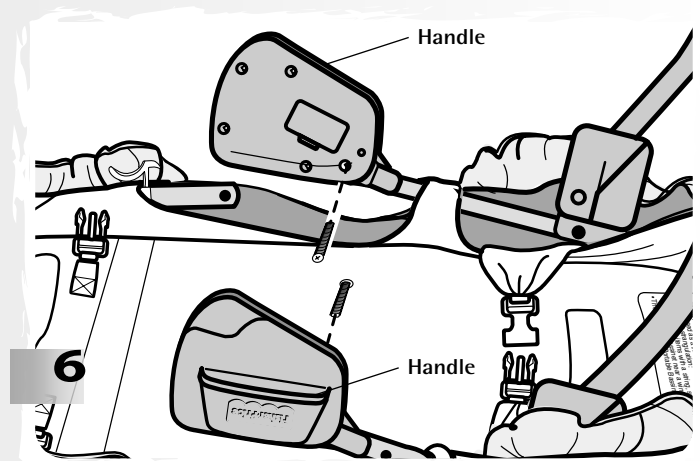
- 4
- Now, insert the tube ends through the sleeves on each side of the liner.



- 5
- Position a handle so that the handle grip is toward you. (The smooth side of the handle should be facing the liner.)
  - Fit the end of the handle onto one of the tube ends. Make sure the handle covers the red dot on the tube end.

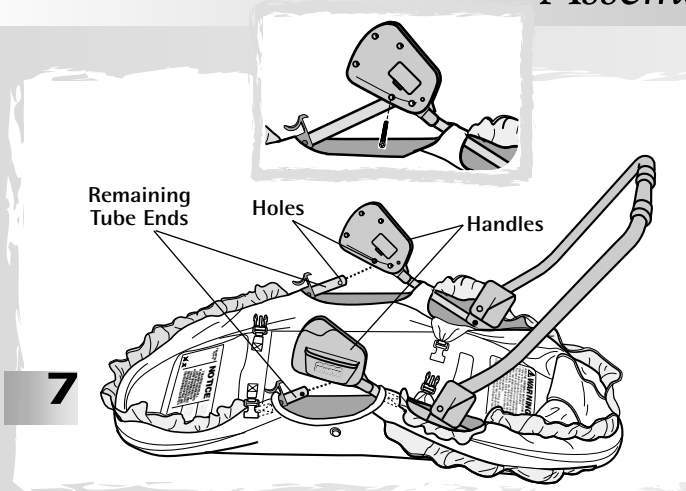
**Hint:** The red dot on the tube end may be hidden by the liner. You may need to adjust the liner for a clearer view of the red dot.

- Repeat this procedure to assemble the other handle.

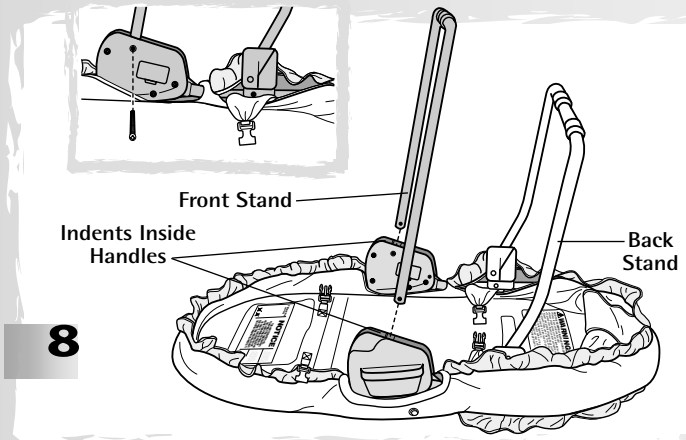


- 6
- Insert a screw through each handle and into the tube end. Tighten the screws with a Phillips screwdriver. Do not over-tighten.
  - Pull on each handle to be sure each is properly secured to the tube end. If you can remove one or both, you have not assembled them properly. Please review assembly steps 5 and 6 again.

# Assembly

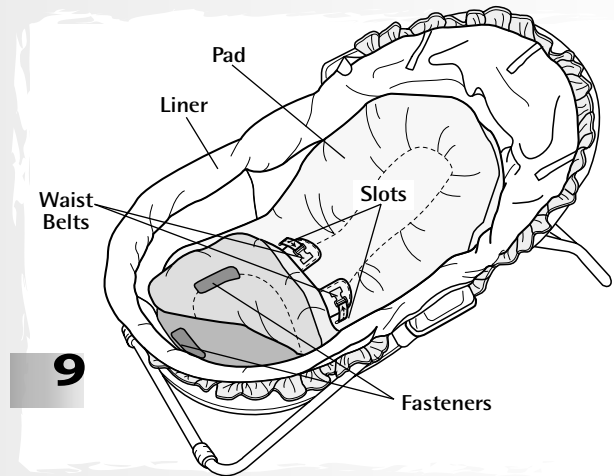


- At an angle, fit the remaining tube ends into the handles. Align the holes in the tube ends with the holes in the handles.
- Insert a screw through the inside of each handle and into the tube ends. Tighten the screws with a Phillips screwdriver. Do not over-tighten.
- Pull on each handle to be sure each is properly secured to the tube ends. If you can remove one or both, you have not assembled them properly. Please review this assembly step again.



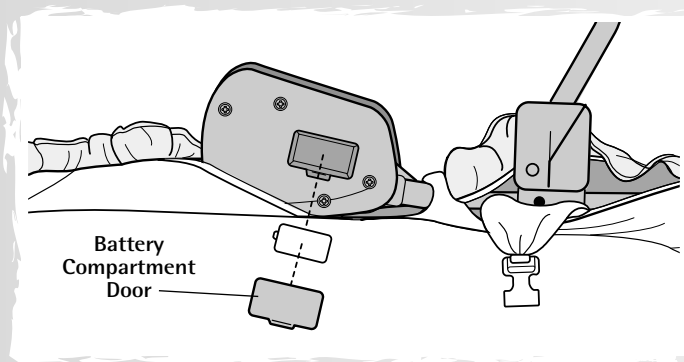
- Fit the ends of the front stand into the indent inside each handle.
- Insert a screw through each handle and into the ends of the front stand. Tighten the screws with a Phillips screwdriver. Do not over-tighten.
- Pull the front stand to be sure it is properly secured to the handles. If you can remove it, you have not assembled it properly. Please review this assembly step again.

**IMPORTANT!** Attach the provided pad (with restraint system) to this product. Never use this product without the provided pad.



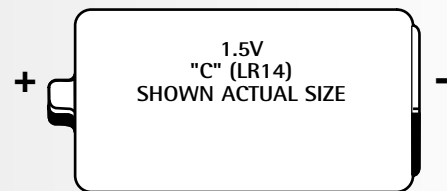
- Place the pad in the liner.
- Fit the waist belts through the slots in the pad.
- Fasten the fasteners on the pad and liner.

## Battery Installation



- While inserting a coin (or the end of a flat end screwdriver) into the slot in the soothing unit, remove the battery compartment door.
- Insert one "C" **alkaline** battery as shown inside the battery compartment.
- Replace the battery compartment door, and "**snap**" it securely closed.

## Battery Tips



- Remove the battery during long periods of non-use. Always remove an exhausted battery from the product. Battery leakage and corrosion can damage this product. Dispose of the battery safely.
- Do not dispose of a battery in a fire. The battery may explode or leak.
- Never short circuit the battery terminals.
- A non-rechargeable battery is not to be recharged.
- Only a battery of the same or equivalent type as recommended in the Battery Installation instructions is to be used.
- If a removable rechargeable battery is used, it is only to be charged under adult supervision.
- A rechargeable battery is to be removed from the toy before it is charged.
- If you use a battery charger, it should be examined regularly for damage to the cord, plug, enclosure and other parts. Do not use a damaged battery charger until it has been properly repaired.
- We recommend the use of **alkaline** batteries for longer battery life.

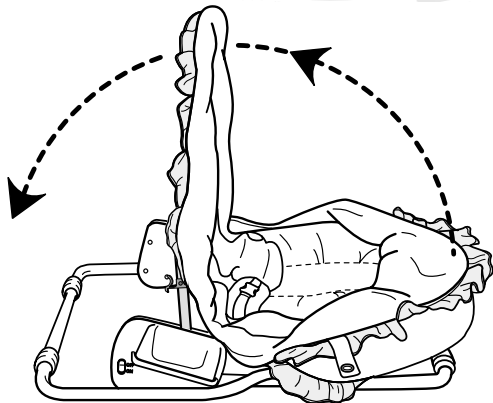
# Operation & Use

**IMPORTANT!** Before each use, inspect this product for damaged hardware, loose joints, missing parts or sharp edges. Do not use if any parts are missing or broken. Contact Fisher-Price® for replacement parts and instructions if needed. Never substitute parts.

## **WARNING**

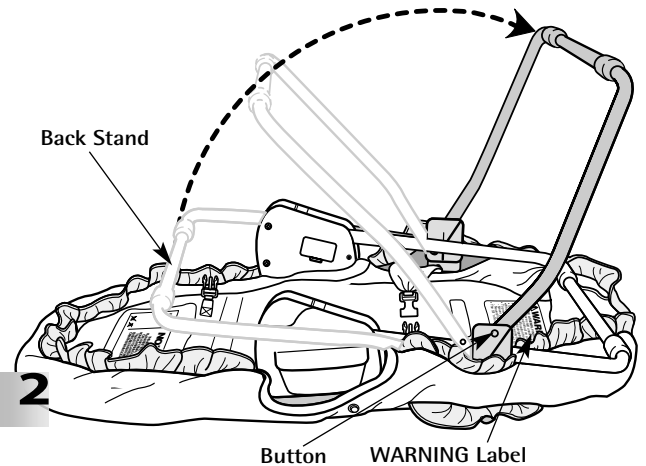
**Failure to follow these warnings and instructions could result in serious injury or death.**

- **To prevent falls:**
  - Never place product on an elevated surface.
- **To prevent strangulation:**
  - Never place items with a string, such as hood strings or pacifier cords, around child's neck.
  - Never place product near a window where cords from blinds or drapes can strangle a child.

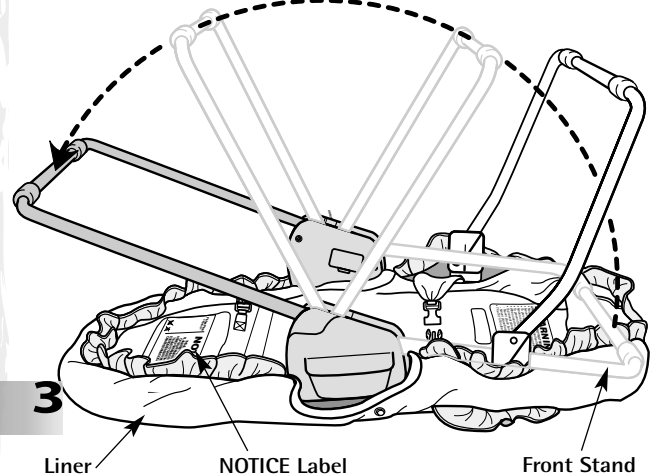


- Place the bassinet on a flat surface.
- Lift and then push down on the foot of the bassinet until it “snaps” into place.

**IMPORTANT: Be sure both latches have “snapped” into place.**

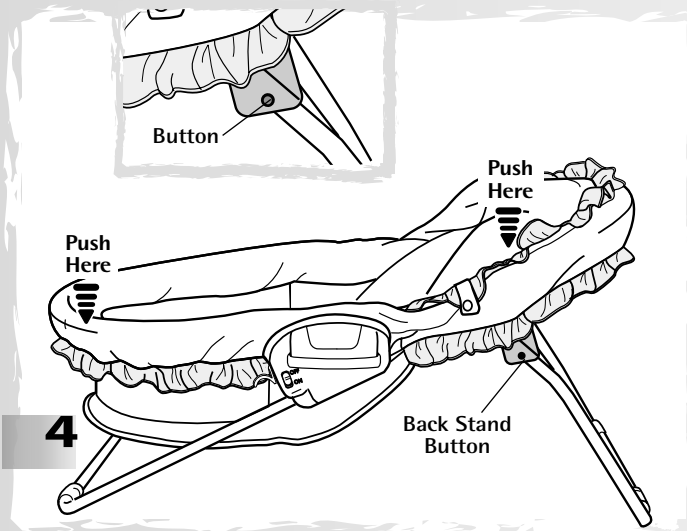


- Turn the bassinet face down.
- Pull the back stand toward the **WARNING label** on the liner until the buttons “snap” into place.



- Pull the front stand toward the **NOTICE label** on the liner.

# Operation & Use



- Turn the bassinet upright. Check to be sure the bassinet is **fully erect**.
- Push down on the bassinet. **Make sure the buttons on the back stand are “snapped” into place.**

## Restraint System

### **WARNING**

**Failure to follow these warnings and instructions could result in serious injury or death.**

To reduce the risk of Sudden Infant Death Syndrome (SIDS), normal healthy infants should always sleep on their backs unless otherwise advised by a pediatrician.

- **Infants can suffocate:**

- In gaps between an extra pad and side of the bassinet.
- On soft bedding.

- Never add a mattress, pillow, comforter or padding. Use **ONLY** the pad provided by the manufacturer.

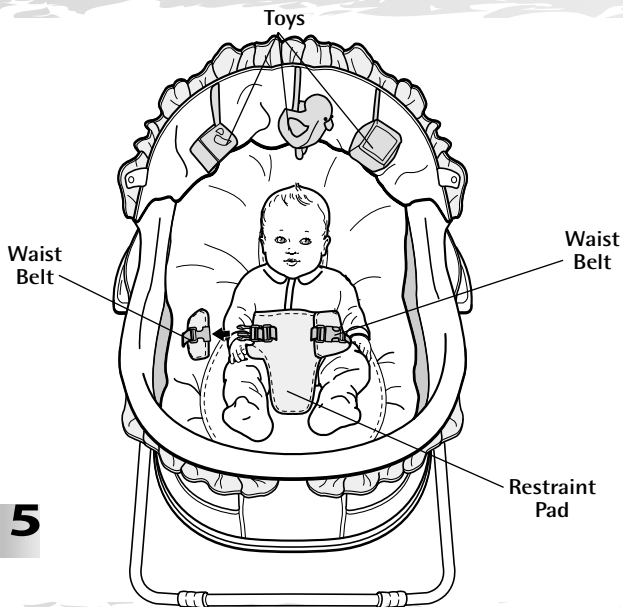
- **To prevent falls:**

- Do not use this product when infant begins to push up on hands and knees.
- When used as an infant seat, always use restraint.

- Never leave child unattended.



# Operation & Use

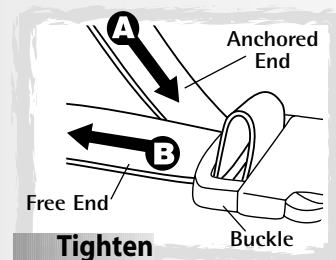
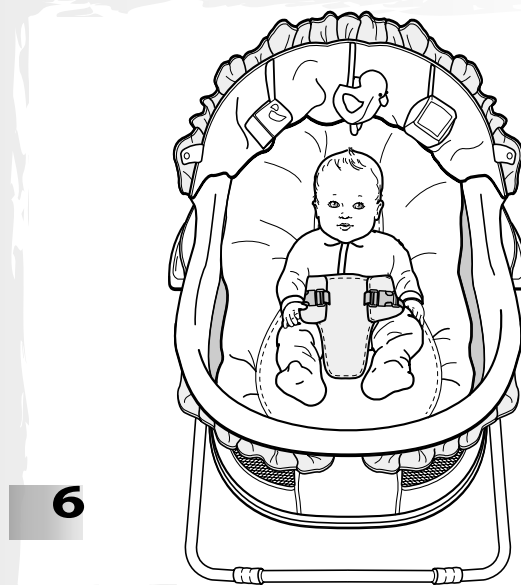


- Place your baby in the bassinet.
- Position the restraint pad between your baby's legs.
- Fasten both waist belts to the buckles on each side of the restraint pad. **Make sure you hear a "click" on both sides.**
- Check to be sure the restraint is securely attached by pulling it away from your baby. The restraint should remain attached.
- Attach the toys to the canopy straps.

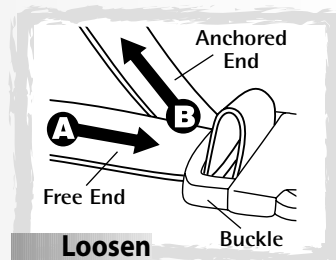
## When Putting Baby to Sleep\*

- **NEVER** place any covering higher than an infant's shoulders.
- **NEVER** place infants to sleep on pillows, sofa cushions, adult beds, waterbeds, beanbags, or any other surface not specifically designed for infant sleep.
- Do not overdress your baby. If you feel comfortable, your baby will too.

\*This important safety message is brought to you by the Juvenile Products Manufacturers Association.



**Tighten**



**Loosen**

## To tighten the waist belts:

- Feed the anchored end of the waist belt up through the buckle to form a loop **A**.
- Pull the free end of the waist belt **B**.
- Repeat this procedure to tighten the other waist belt.

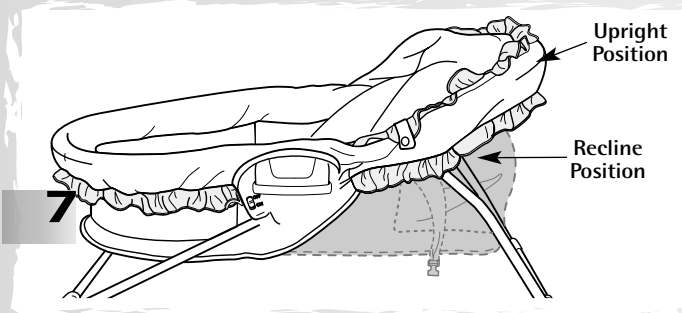
## To loosen the waist belts:

- Feed the free end of the waist belt up through the buckle to form a loop **A**.
- Enlarge the loop by pulling on the end of the loop toward the buckle.
- Pull the anchored end of the waist belt to shorten the free end of the waist belt **B**.
- Repeat this procedure to loosen the other waist belt.

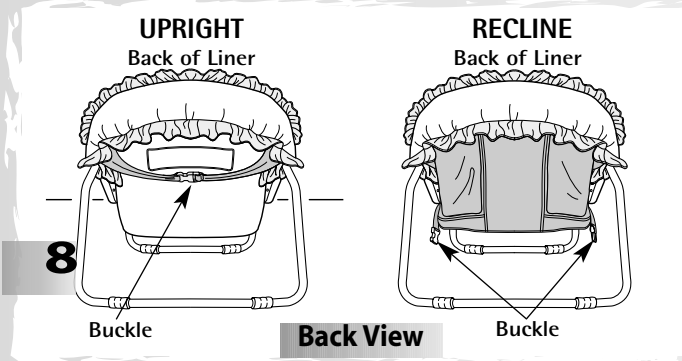
**Note:** After adjusting the waist belts to fit your child, make sure you pull on them to be sure they are securely fastened.

# Operation & Use

## Bassinet Back Adjustment



- You can adjust the bassinet to an **upright** or **recline** position for baby's comfort.



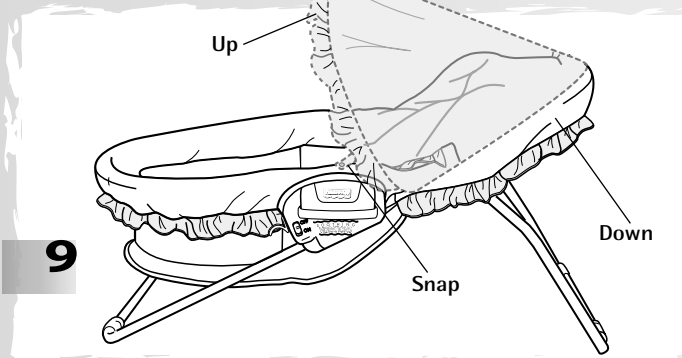
### To adjust the bassinet to upright:

- Lift the back of the liner and then fasten the buckle. **Make sure you hear a "click"**.

### To adjust the bassinet to recline:

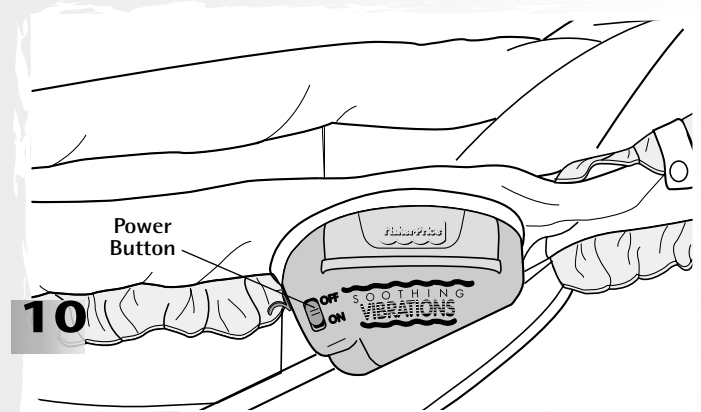
- Support the back of the liner with your hand, unfasten the buckle and guide the back of the liner down into position.

## Canopy Adjustment



- The canopy can be adjusted up or down.
- Fasten the snap on each side of the canopy for the up position.

## Calming Vibrations



- Slide the power button to the ON position to start calming vibrations.
- Slide the power button to the OFF position to turn off calming vibrations.

**IMPORTANT!** If vibrations become noticeably slower, replace the battery with a new "C" **alkaline** battery (see page 6, Battery Installation).

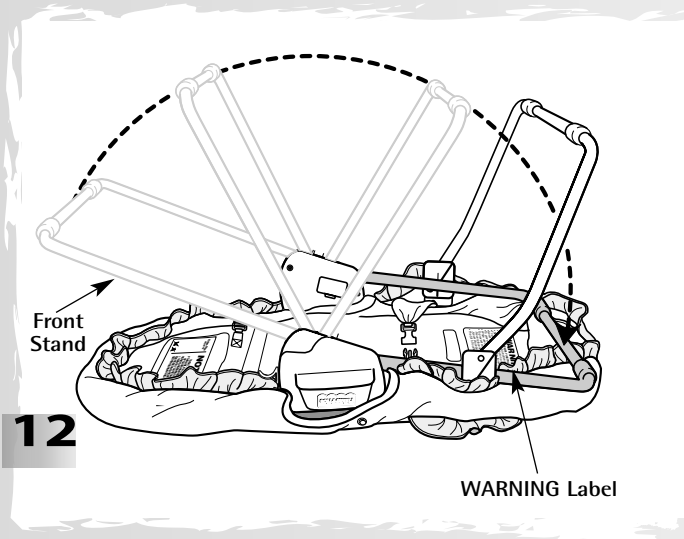
## Portability



- Grasp the handles on each side of the bassinet to carry.

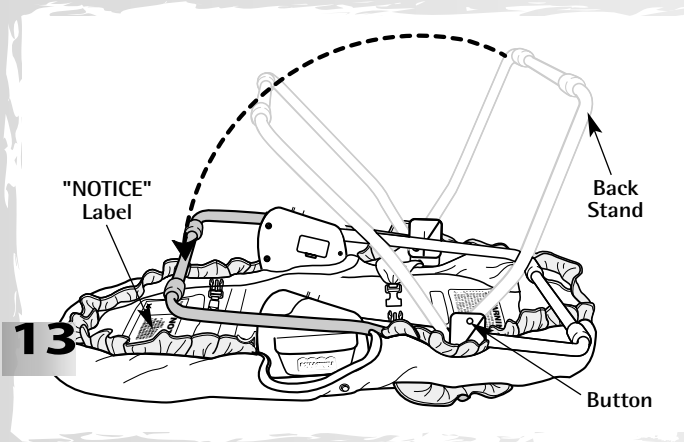
# Operation & Use

## To Fold



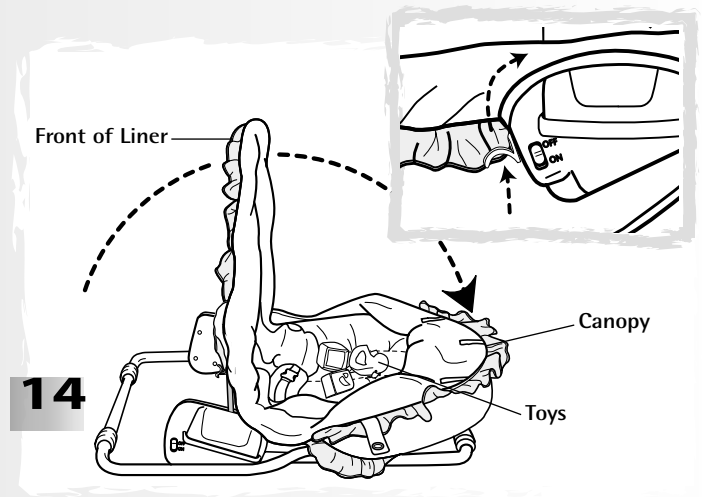
12

- Turn the bassinet face down on a flat surface.
- Rotate the front stand toward the **WARNING label** on the liner.
- Push down on the front stand to **"snap"** it into place.



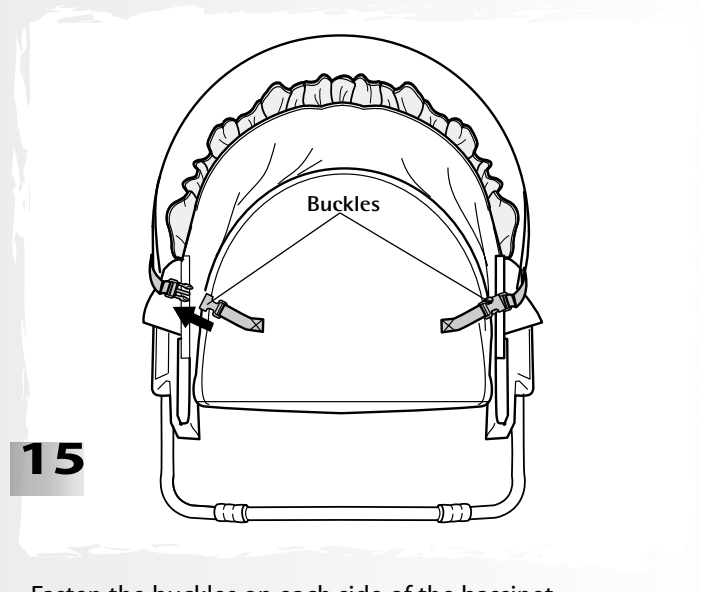
13

- Press the button on each side of the back stand and push the back stand toward the **NOTICE label** on the liner.
- Push down on the back stand to **"snap"** it into place.



14

- Turn the bassinet upright.
- While lifting the latches on each side of the handle, fold the foot of the bassinet toward the canopy.



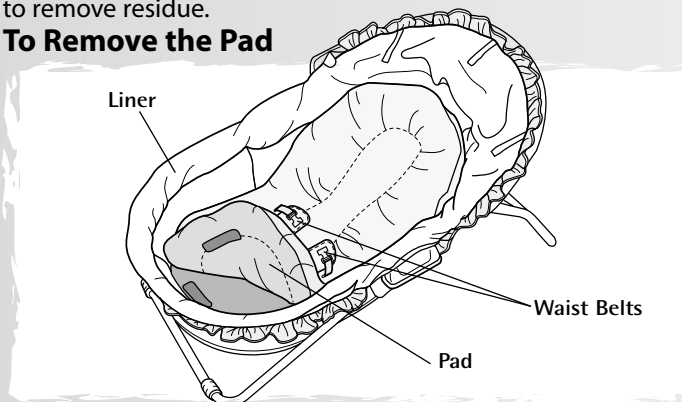
15

- Fasten the buckles on each side of the bassinet.

# Care

Machine wash the pad and toys in cold water and a mild detergent. Do not use bleach. Tumble dry on low heat and remove promptly. Surface wash the frame, liner and restraint system with a mild detergent and water. Do not use bleach. Do not use harsh or abrasive cleaners. Rinse clean with water to remove residue.

## To Remove the Pad



- Feed the waist belts back through the pad.
- Remove the pad from the liner.

## To Re-assemble the Pad



## WARNING

**Failure to follow these warnings and instructions could result in serious injury or death.**

- **Infants can suffocate:**
  - In gaps between an extra pad and side of the bassinet.
  - On soft bedding.
- **Never add a mattress, pillow, comforter or padding. Use ONLY the pad provided by the manufacturer.**

**IMPORTANT!** Attach the provided pad (with restraint system) to this product. Never use this product without the provided pad.

- Position the pad into the liner.
- Feed the waist belts up through the slots in the pad.
- Press to fasten the fasteners on the pad and the liner.

# FCC Statement (United States Only)

This equipment has been tested and found to comply with the limits for a Class B digital device, pursuant to part 15 of the FCC rules. These limits are designed to provide reasonable protection against harmful interference in a residential installation. This equipment generates, uses and can radiate radio frequency energy and, if not installed and used in accordance with the instructions, may cause harmful interference to radio communications. However, there is no guarantee that interference will not occur in a particular installation. If this equipment does cause harmful interference to radio or television reception, which can be determined by turning the equipment off and on, the user is encouraged to try to correct the interference by one or more of the following measures:

Reorient or relocate the receiving antenna.

Increase the separation between the equipment and receiver.

Connect the equipment into an outlet on a circuit different from that to which the receiver is connected.

Consult the dealer or an experienced radio/TV technician for help.

**CAUTION:** Changes or modifications not expressly approved by the manufacturer responsible for compliance could void the user's authority to operate the equipment.

### For other countries, outside the United States:

Canada: call 1-800-567-7724, or write to:

Mattel Canada Inc., 6155 Freemont Blvd., Mississauga, Ontario L5R 3W2.

Great Britain: telephone 01628 500303.

Australia: Mattel Australia Pty. Ltd., 658 Church Street, Locked Bag #870, Richmond, Victoria 3121 Australia.

Consumer Advisory Service 1300 135 312.

New Zealand: 16-18 William Pickering Drive, Albany 1331, Auckland.

## Free Manuals Download Website

<http://myh66.com>

<http://usermanuals.us>

<http://www.somanuals.com>

<http://www.4manuals.cc>

<http://www.manual-lib.com>

<http://www.404manual.com>

<http://www.luxmanual.com>

<http://aubethermostatmanual.com>

Golf course search by state

<http://golfingnear.com>

Email search by domain

<http://emailbydomain.com>

Auto manuals search

<http://auto.somanuals.com>

TV manuals search

<http://tv.somanuals.com>