



www.fisher-price.com

J5970
Instructions



Please keep this instruction sheet for future reference, as it contains important information. Adult assembly is required. Tool needed for assembly: Phillips screwdriver (not included). Water or sand is needed to fill the base (not included).

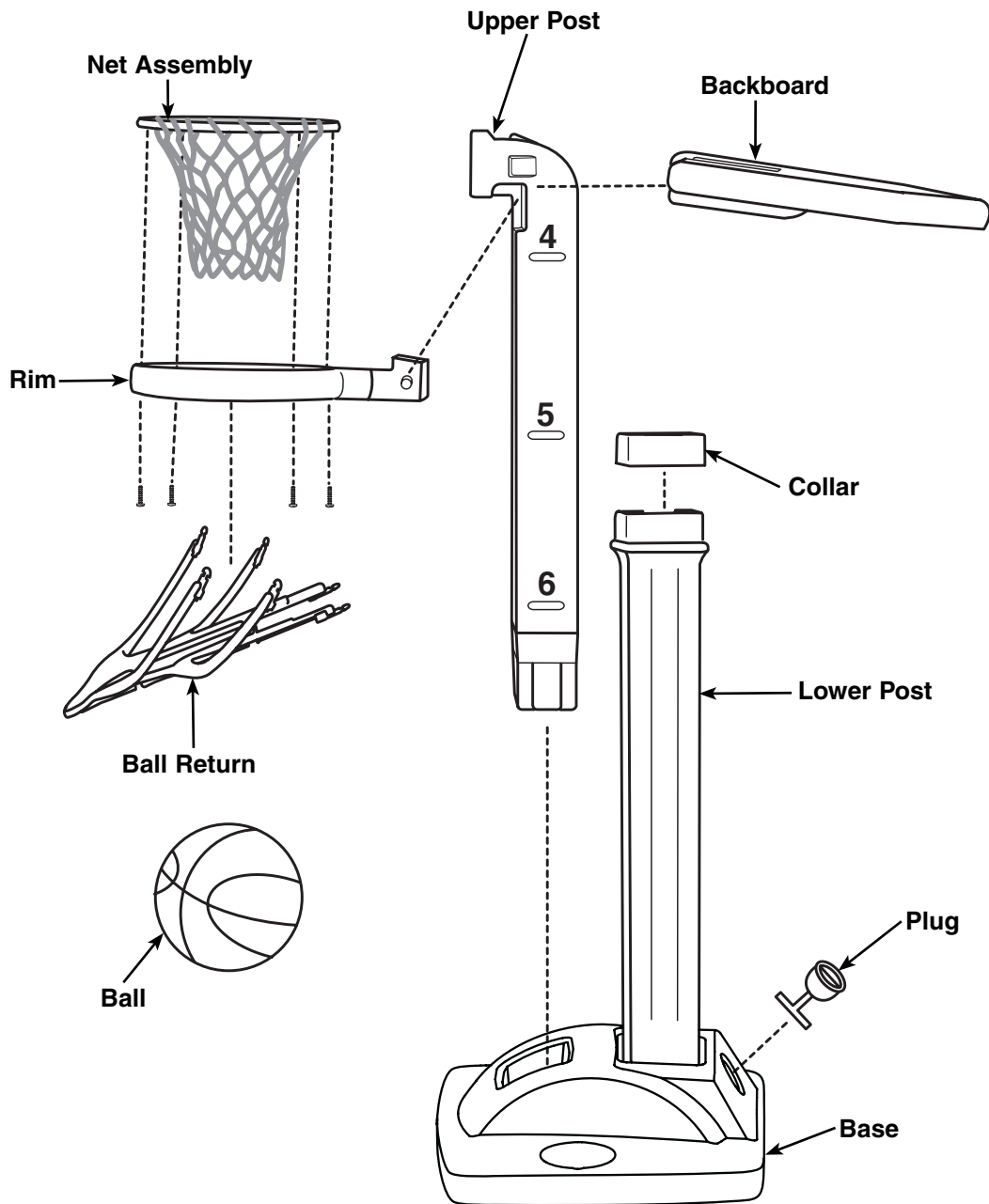
IMPORTANT! Backboard height should be adjusted only by an adult.

Grow to Pro[®] Basketball

Parts



Hint: Some parts were placed inside the lower post for shipping.



Note: Label not shown.



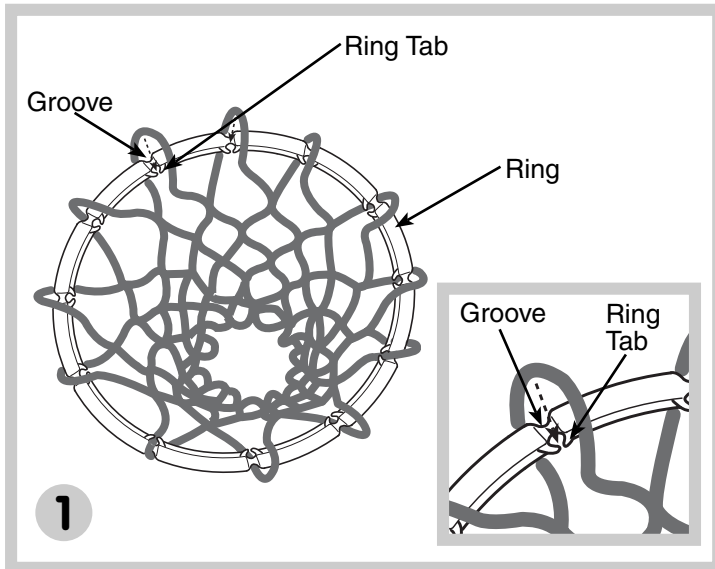
#6 x 5/8" Screw - 4

SHOWN ACTUAL SIZE

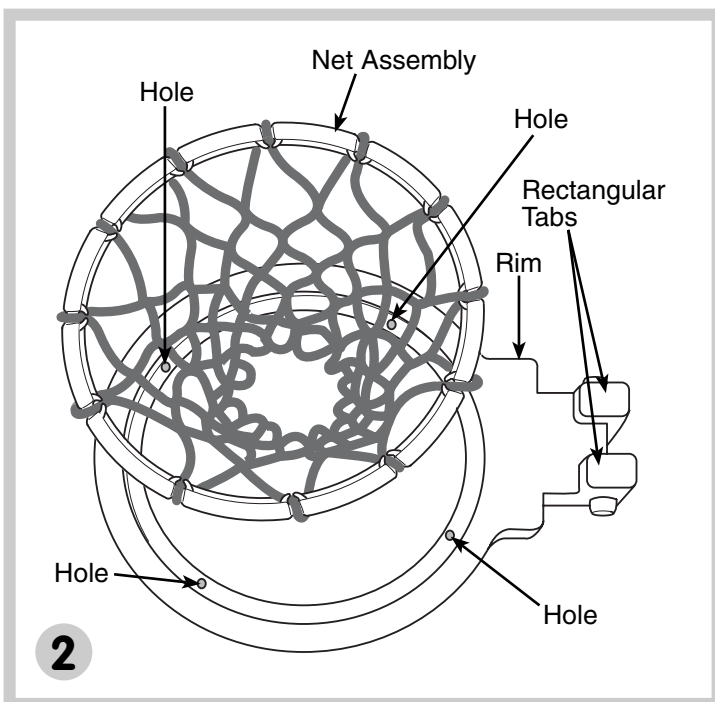
CAUTION

This product contains small parts
in its unassembled state.
Adult assembly is required.

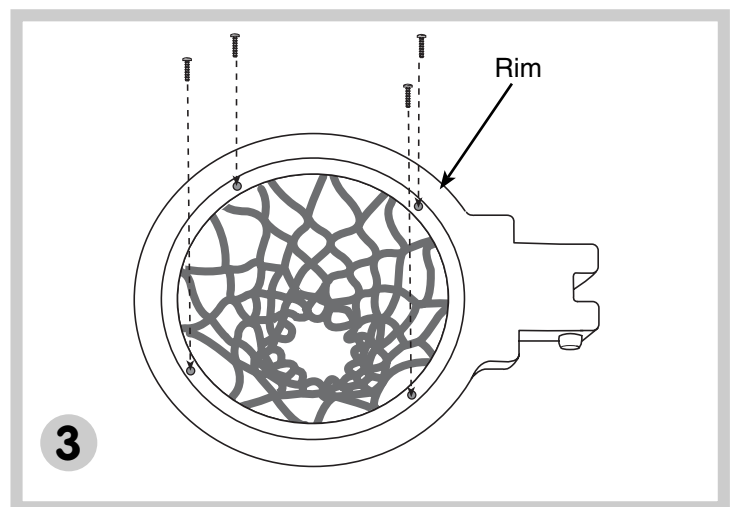
Assembly



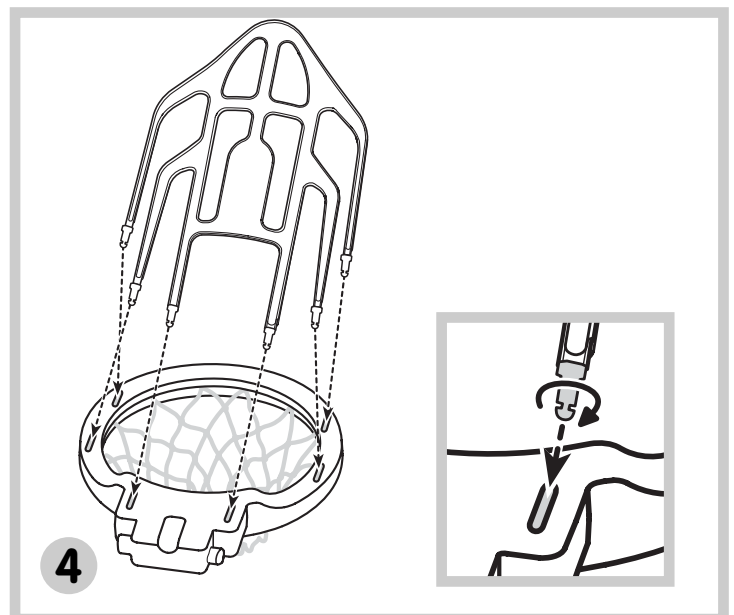
- Place the loops at the top of the net into the grooves on the ring.
 - Pull each loop through a ring tab, as shown.



- Place the rim on a flat surface with the rectangular tabs facing up.
 - Locate the four screw holes on the underside of the net assembly.
 - Align the four screw holes on the underside of the net assembly with the four holes in the rim.
 - Place the net assembly onto the rim.

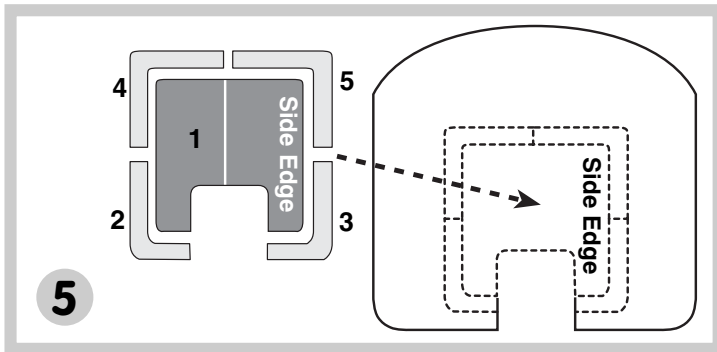


- While holding the ring assembly and rim together, turn them over.
 - Insert four screws into the holes in the rim, making sure each hole in the rim is still aligned with each screw hole in the net assembly.
 - Partially tighten the screws with a Phillips screwdriver. Turn the rim over to ensure that the net loops are still in the grooves and through the ring tabs before completely tightening the screws. Do not over-tighten the screws.



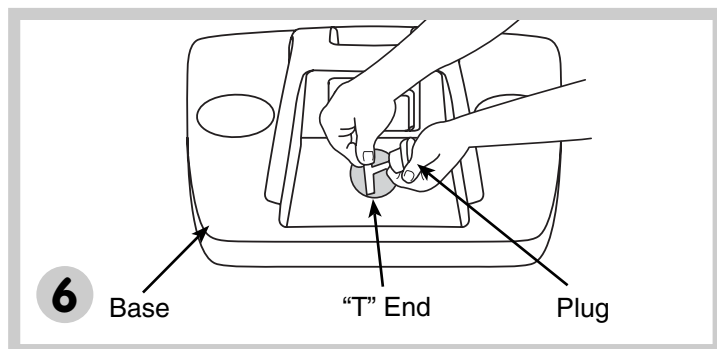
- Turn the rim upside down.
 - Twist and insert the ends of the ball return into the slots in the rim.
 - Pull on the ball return to be sure all six ends are fastened to the rim.

Assembly



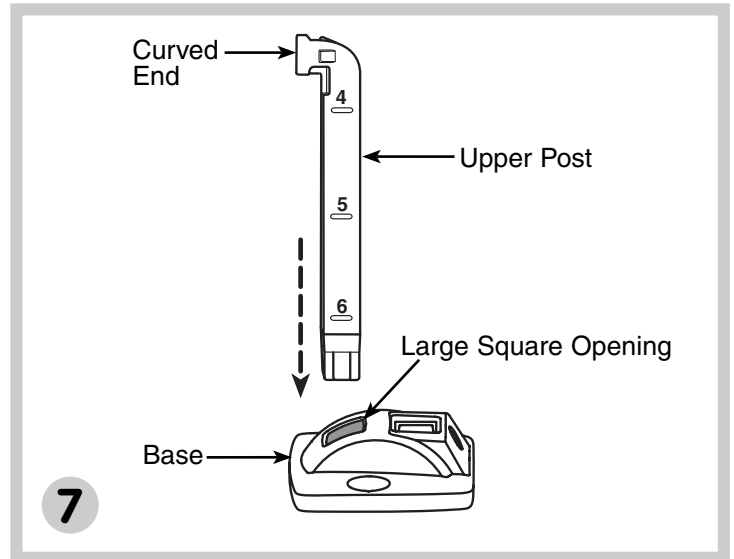
Proper label application will help to keep the label looking its best!

- Make sure the area where the label will be applied is clean and dry. Wipe the backboard with a clean, soft, dry cloth to remove any dust or oils.
- For best results, avoid applying the label more than once.
- Peel the backing from one half of the label. Do not remove all of the backing!
- Align the side edge of label 1 (where backing is removed) with the side edge of the label area on the backboard.
- Carefully apply the side edge of the label to the side edge of the label area on the backboard.
- While rubbing the label in place, continue to peel the backing from the other half of the label.
- Apply the remaining labels to the backboard. Labels 2-5 are designed to overlap.
- Dispose of the label backing properly.



- Bend the "T" end of the plug and insert it into the hole in the base.

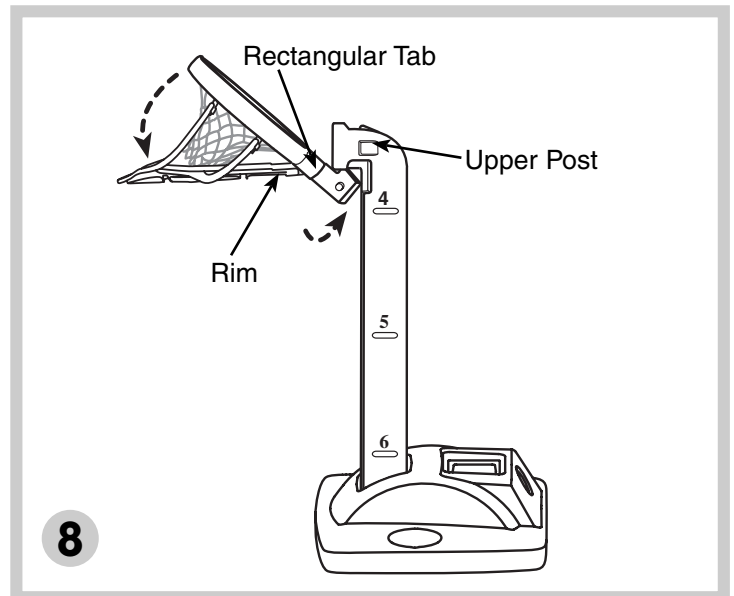
Note: After assembly is complete, fill the base with water or approximately 50 lbs. (22.7 kg) of sand (water and sand not included) to keep this product stationary. Simply lift the plug, fill the base, and replace the plug.



- Position the base as shown.
- Position the upper post so that the straight end is down and the curved end is up and facing away from the base.

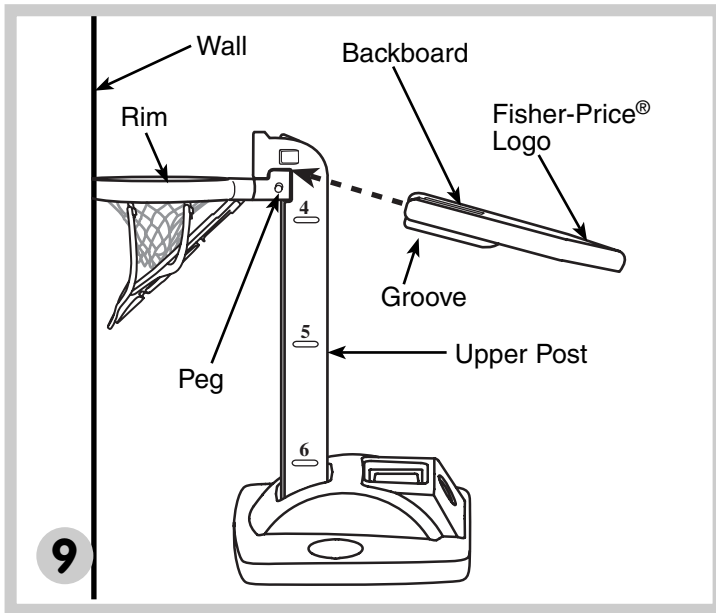
Hint: For easier assembly, apply liquid soap or rub a candle or bar soap around the bottom of the upper post (especially on the corners) and the inside of the large square opening. If assembling inside, place a tarp under the base to protect the floor surface.

- Insert the upper post into the large square opening in the base and, using a circular motion, push it all the way down.

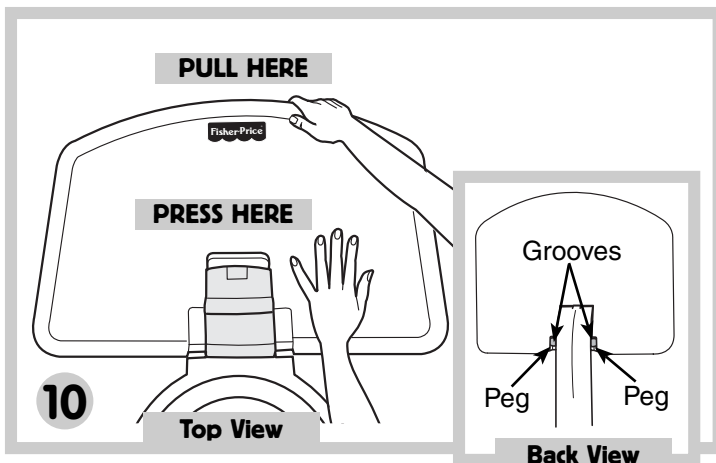


- Hook the rectangular tab on each side of the rim to the upper post, as shown.
- Rotate the rim down until it snaps into place on the upper post. Push down on the rim to be sure it is secure.

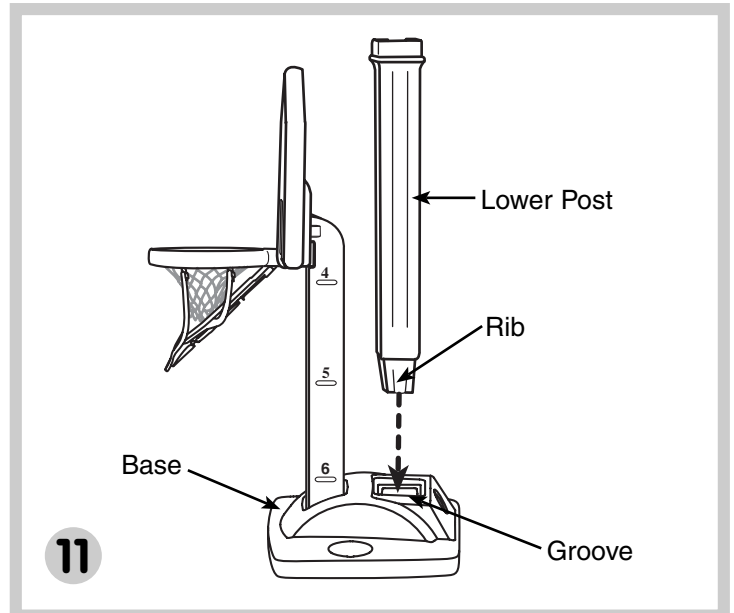
Assembly



- Lean the rim against a wall for support.
 - Locate the pegs on each side of the rim and the grooves on the backboard.
 - Position the backboard with the Fisher-Price® logo facing up.
 - Place your foot on the base to hold it steady and slide the backboard onto the upper post at an angle, as far as it will go.
- Note:** There should be no gap between the upper post and the backboard.
- Move the assembly away from the wall.

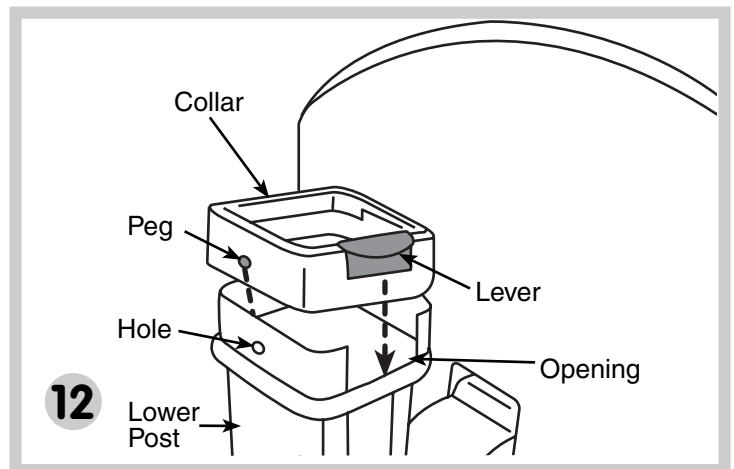


- Move to the side of the assembly.
 - Place your foot on the base to hold it steady.
 - Press down firmly on the lower backboard while rotating the backboard up.
 - When properly assembled, the pegs on the upper post rest in the grooves in the backboard, as shown.
- Note:** The height of the rim is three feet (1 m) as assembled.



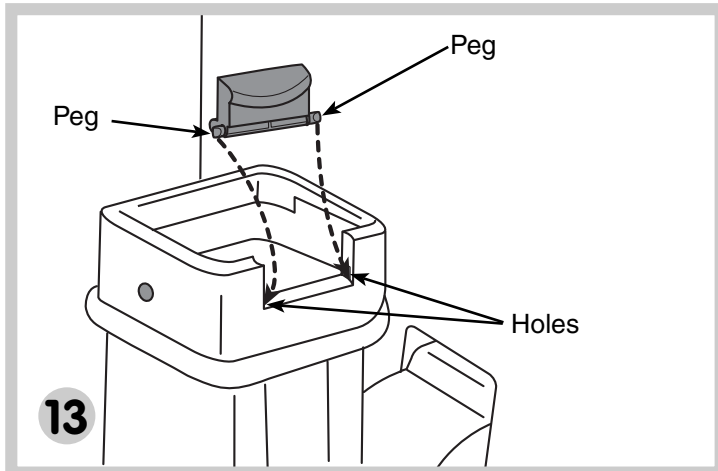
IMPORTANT! Assembly of the lower post to the base is a permanent assembly.

- Align the rib on the bottom of the lower post with the groove in the opening in the base.
- Hint:** For easier assembly, apply a small amount of liquid soap around the bottom of the post. If assembling indoors, place a tarp under the base to protect the floor surface.
- Insert the lower post into the opening and push down, using a circular motion, until it snaps into place.



- Note:** The collar may already be factory assembled.
- Align the lever on the side of the collar with the opening in the top of the lower post.
 - Fit the collar onto the lower post, making sure the peg on each side of the collar snaps into the hole on each side of the post.

Assembly

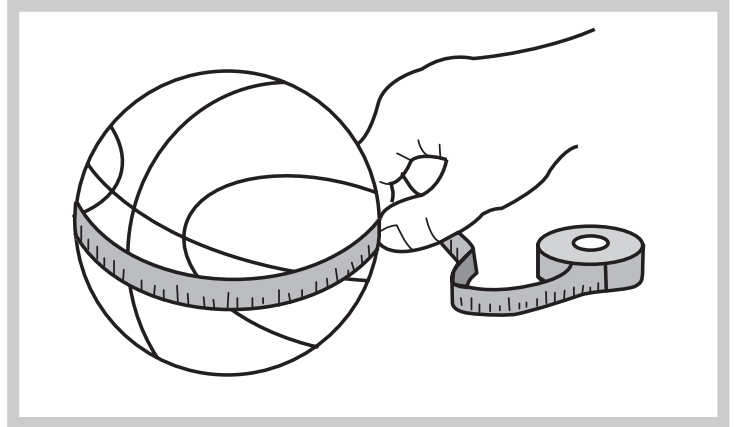


- If the lever comes off, simply re-attach it.
- Insert the peg on one side of the lever into the hole in the collar.
- Snap the other peg in the lever into the other hole in the collar.

Assembly is now complete.

Please refer to assembly step 2 to fill the base with water or approximately 50 lbs. (22.7 kg) of sand (water and sand not included) to keep this product stationary.

Care and Maintenance

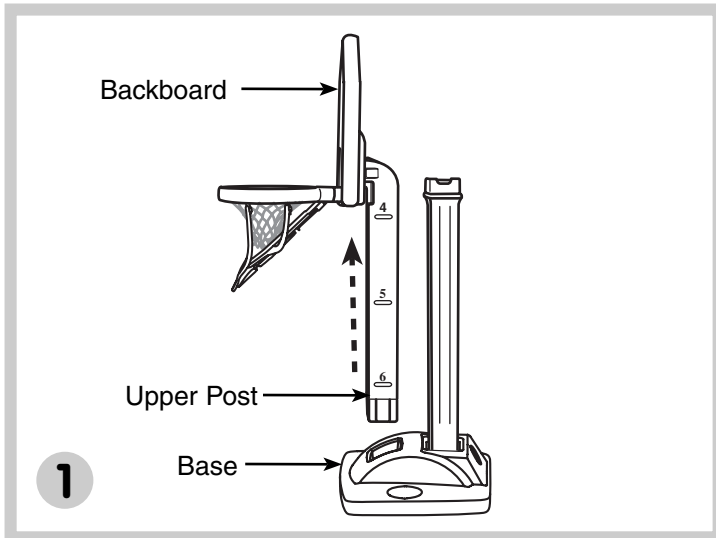


- This toy includes an inflatable ball. If the ball becomes soft, inflate it with a standard, manual air pump with a standard air needle.
- The ball will contain the correct amount of air when its circumference measures about 21-22 inches (53-56 cm). Measure the circumference of the ball with a tape measure or with a piece of string cut 21-22 inches (53-56 cm) long. Do not over-inflate the ball.
- To clean, use a clean, damp cloth. Be sure to remove soap residue.
- Do not immerse this product.
- Do not leave this toy outside in freezing weather. Water left inside the base will freeze and possibly damage the base.
- Check all fasteners regularly to be sure they are tight. If the fasteners are not tight, tighten them as necessary.
- Check plastic parts regularly and if broken or cracked, dispose of them properly.
- We recommend indoor storage if this product will not be used for an extended period of time.

Adjusting the Rim Height

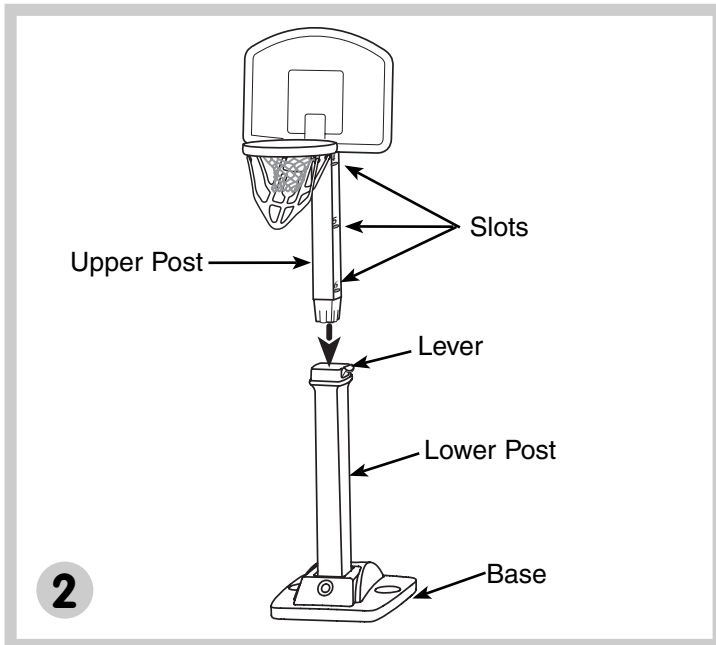


IMPORTANT! Rim height should **only** be adjusted by an adult. Also, make sure children are not standing below the rim when adjusting the rim height.

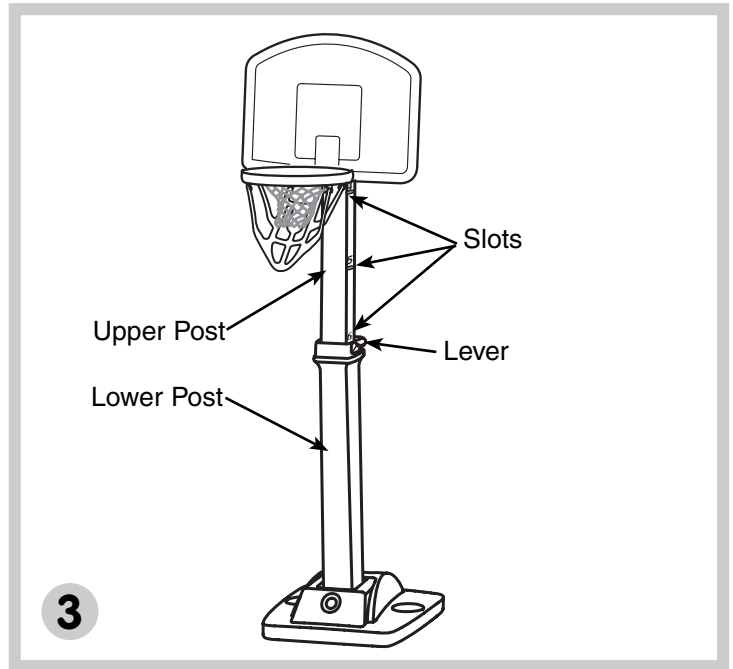


- As assembled, the rim height is 3' (1 m).
- To raise the rim height to 4', 5', or 6' (1.2 m, 1.5 m or 1.8 m), place your foot on the base and pull up on the backboard with both hands to remove the upper post from the base. You may need to rock the upper post to loosen it from the base.

IMPORTANT! Since this may require a lot of force, DO NOT stand with your face or chest above the backboard.



- Pull the lever on the lower post down.
- Insert the upper post into the lower post with the net positioned over the wheels on the base.
- Push the lever into one of the slots on the side of the upper post at the desired height.



- **To lower the rim height:** while holding the upper post, push the lever on the lower post down. Lower the upper post and push the lever into the slot at 4' or 5' (1.2 m or 1.5 m).
- **To raise the rim height:** simply lift the upper post and push the lever into the slot at 5' or 6' (1.5 m or 1.8 m).

Consumer Information



Visit us on line at www.service.fisher-price.com

Call Fisher-Price® Consumer Relations, toll-free at 1-800-432-5437, 8 AM - 6 PM EST Monday through Friday. Hearing-impaired consumers using TTY/TDD equipment, please call 1-800-382-7470. Write to us at:

Fisher-Price® Consumer Relations,
636 Girard Avenue, East Aurora, New York 14052.

For countries outside the United States:

CANADA: Questions? 1-800-432-5437. Mattel Canada Inc., 6155 Freemont Blvd., Mississauga, Ontario L5R 3W2;
www.service.mattel.com.

GREAT BRITAIN: Mattel UK Ltd, Vanwall Business Park, Maidenhead SL6 4UB. Helpline: 01628 500303;
www.service.mattel.com/uk

AUSTRALIA: Mattel Australia Pty. Ltd., 658 Church Street, Locked Bag #870, Richmond, Victoria 3121 Australia. Consumer Advisory Service 1300 135 312.

NEW ZEALAND: 16-18 William Pickering Drive, Albany 1331, Auckland.

ASIA: Mattel East Asia Ltd, Room 1106, South Tower, World Finance Centre, Harbour City, Tsimshatsui, HK, China.

Free Manuals Download Website

<http://myh66.com>

<http://usermanuals.us>

<http://www.somanuals.com>

<http://www.4manuals.cc>

<http://www.manual-lib.com>

<http://www.404manual.com>

<http://www.luxmanual.com>

<http://aubethermostatmanual.com>

Golf course search by state

<http://golfingnear.com>

Email search by domain

<http://emailbydomain.com>

Auto manuals search

<http://auto.somanuals.com>

TV manuals search

<http://tv.somanuals.com>