



# Healthy Care™ High Chair



Product features and decoration may vary from the photo above.

**Model Number: B8866**

Please read these instructions before assembly and use of this product.  
Adult assembly is required.

Tool needed for assembly: Phillips Screwdriver (not included).

**! WARNING**  
IMPORTANT! KEEP INSTRUCTIONS  
FOR FUTURE REFERENCE.

[www.fisher-price.com](http://www.fisher-price.com)

### **WARNING**

#### **Prevent serious injury or death from falls or sliding out.**

- The child should at all times wear a safety harness correctly fitted and adjusted.
- The tray is not designed to hold the child in the chair.
- Always keep child in view while in the high chair.
- Never leave child unattended.
- It is recommended that the high chair be used in the upright position only by children capable of sitting upright unassisted.

### **CAUTION**

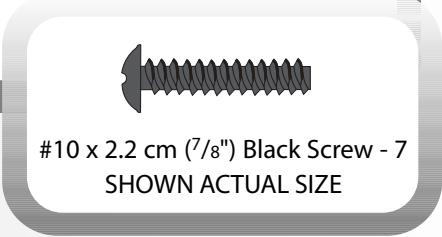
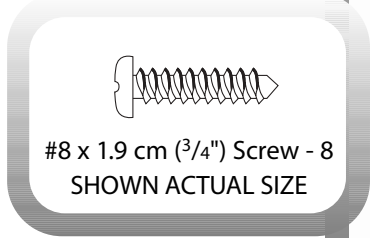
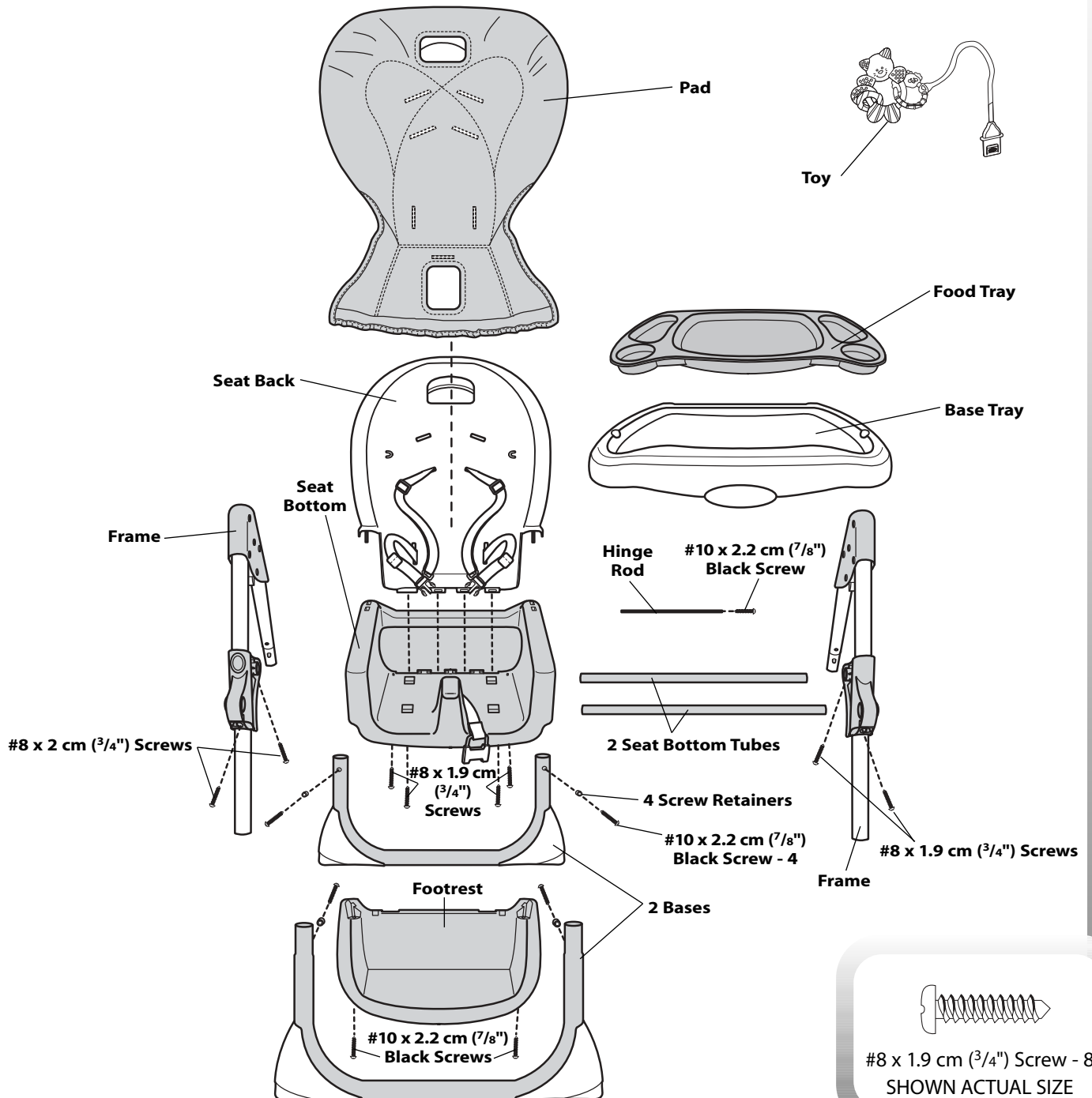
This product contains small parts in its unassembled state.  
Adult assembly is required.

Occasionally a consumer may experience a problem with one of our products. If this should happen, please call us, rather than return this product to the store. Usually, we can solve the problem over the telephone or send you replacement parts. Please call [01628 500303](tel:01628500303) or write to:

[Mattel UK Limited](#)  
[Mattel House](#)  
[Vanwall Business Park](#)  
[Vanwall Road](#)  
[Maidenhead, Berkshire SL6 4UB](#)

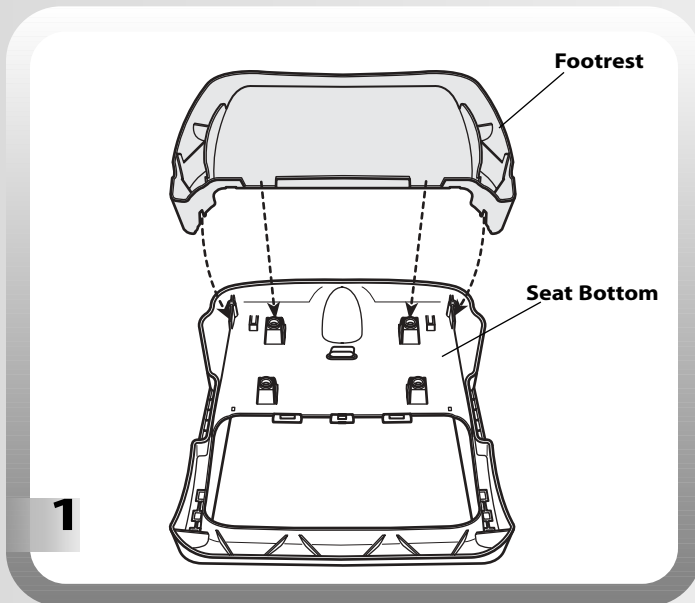
# Parts

**Note:** Tighten all screws with a Phillips screwdriver. Do not over-tighten the screws.

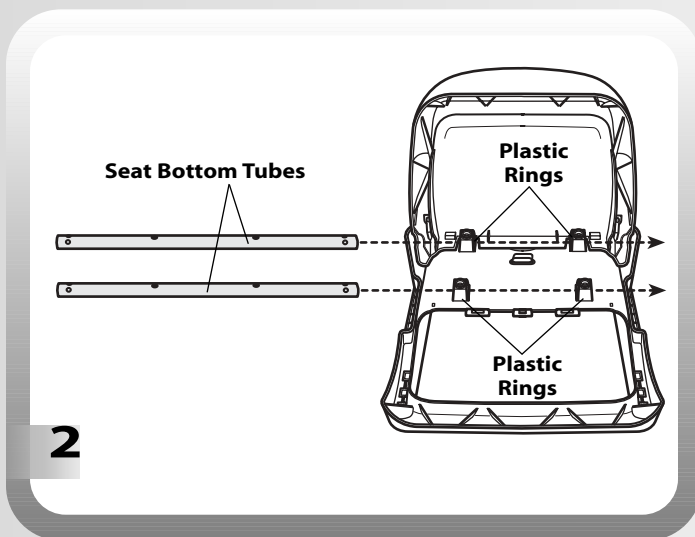


# Assembly

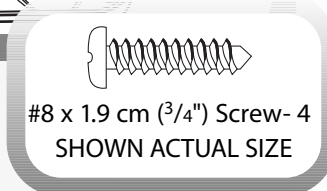
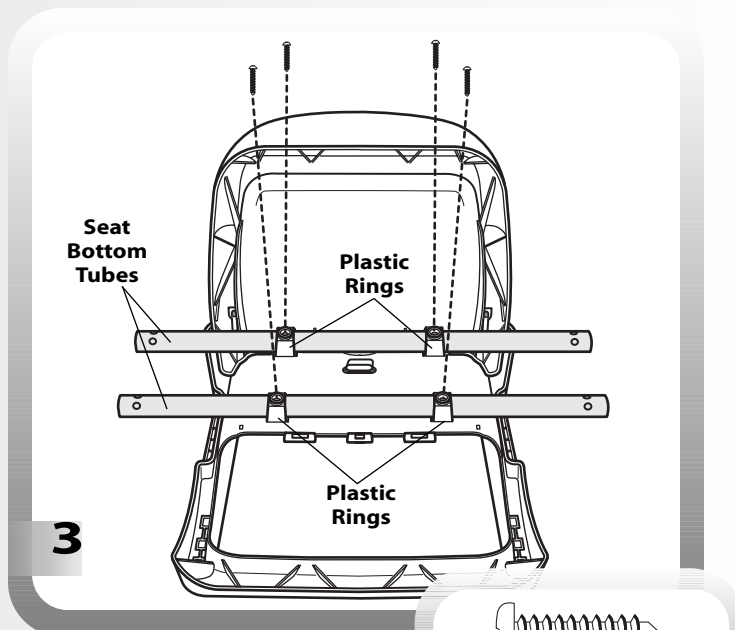
**IMPORTANT!** Before assembly, inspect this product for damaged hardware, loose joints, missing parts or sharp edges. DO NOT use if any parts are missing, damaged or broken. Contact Mattel for replacement parts and instructions if needed. Never substitute parts.



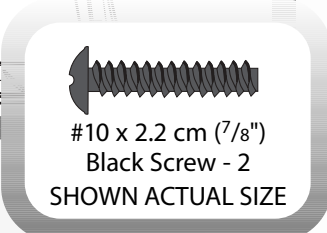
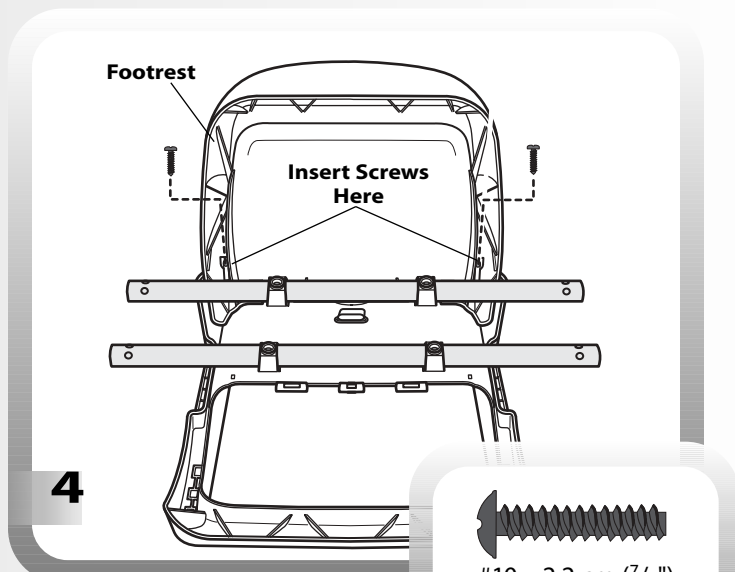
- Place the seat bottom face down on a flat surface.
- At an angle, fit the footrest on the seat bottom, as shown.



- Slide a seat bottom tube through each set of plastic rings on the seat bottom.

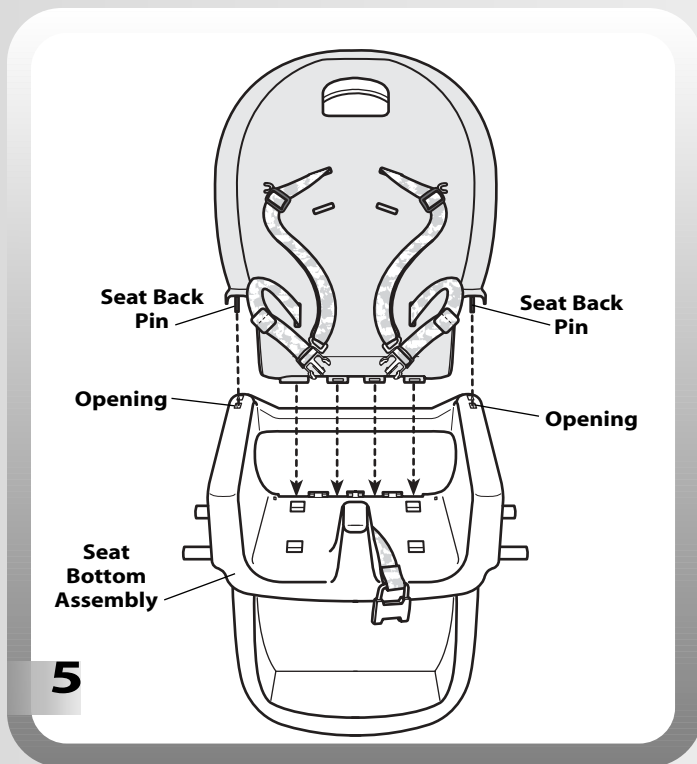


- Align the holes in the plastic rings and the seat bottom tubes.
- Insert a #8 x 1.9 cm (3/4") screw into each plastic ring and tighten.
- Push the seat bottom tubes back and forth to be sure they are secured to the seat bottom. If the seat bottom tubes move, you have probably not fastened them properly. Remove the screws and check to be sure the screw holes in the seat bottom tubes and seat bottom plastic rings are aligned. Replace and tighten the screws.

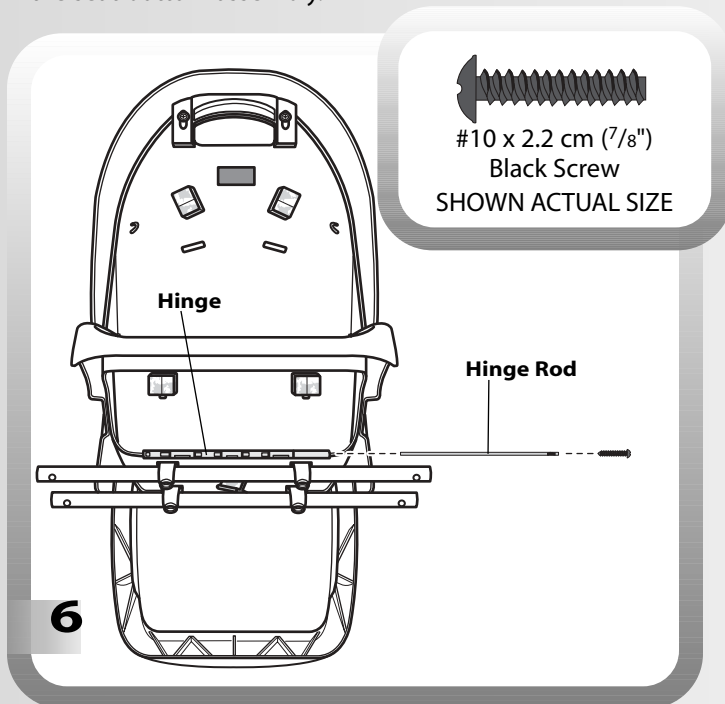


- Insert two #10 x 2.2 cm (7/8") **black** screws through the footrest and into the seat bottom.
- Tighten the screws.

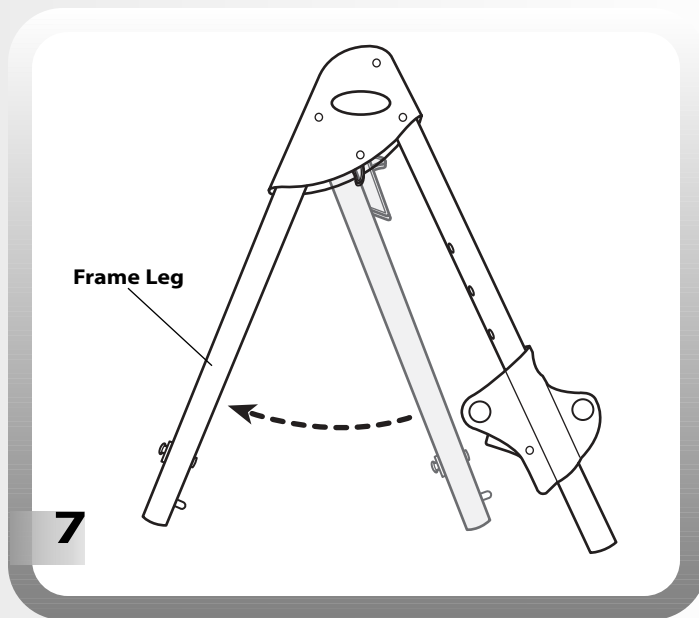
# Assembly



- Turn the seat bottom assembly upright.
- Fit the seat back pins into the openings in the top side of the seat bottom assembly.

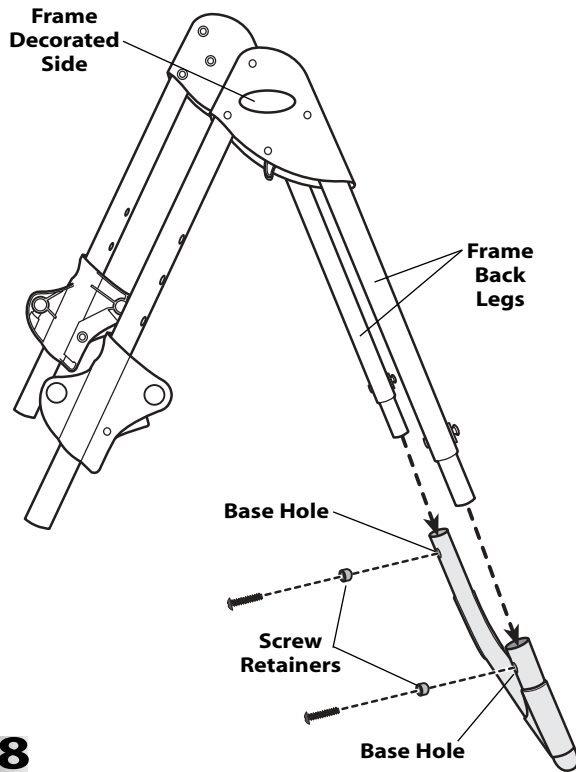


- Turn the seat assembly face down.
- Insert the hinge rod through the hinge on the seat back and seat bottom, as shown.
- Insert a #10 x 2.2 cm (7/8") **black** screw into the hinge rod and tighten.
- Set the seat assembly aside for Assembly step 10.



- Pull the frame leg out on each frame to open. Make sure it "clicks" into place.

# Assembly



8



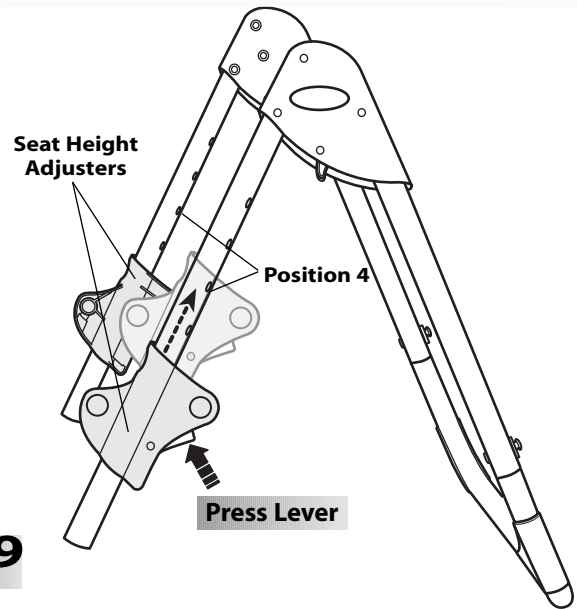
#10 x 2.2 cm (7/8")  
Black Screw - 2  
SHOWN ACTUAL SIZE



Screw Retainer - 2

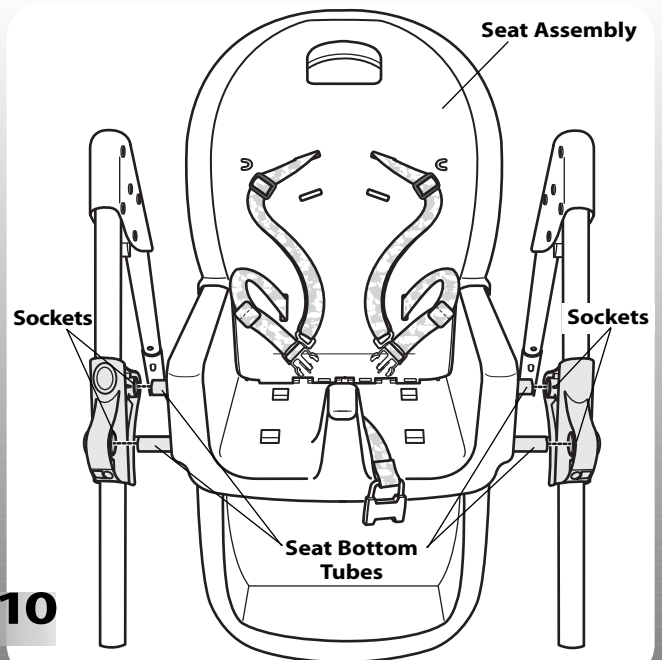
- Position a frame so that the decorated side is outward.
- Insert the back legs of a frame into one of the bases.
- Fit a screw retainer over the hole in the base, as shown.
- Insert a #10 x 2.2 cm (7/8") **black** screw into the screw retainer and tighten.
- Repeat this procedure to fasten the other frame back leg to the other side of the base with a screw retainer and #10 x 2.2 cm (7/8") **black** screw.

**Hint:** The #10 x 2.2 cm (7/8") black screws may have been assembled to the screw retainers.



9

- While pressing the levers on the seat height adjusters, lift them to position 4 on the frame front legs, as shown.



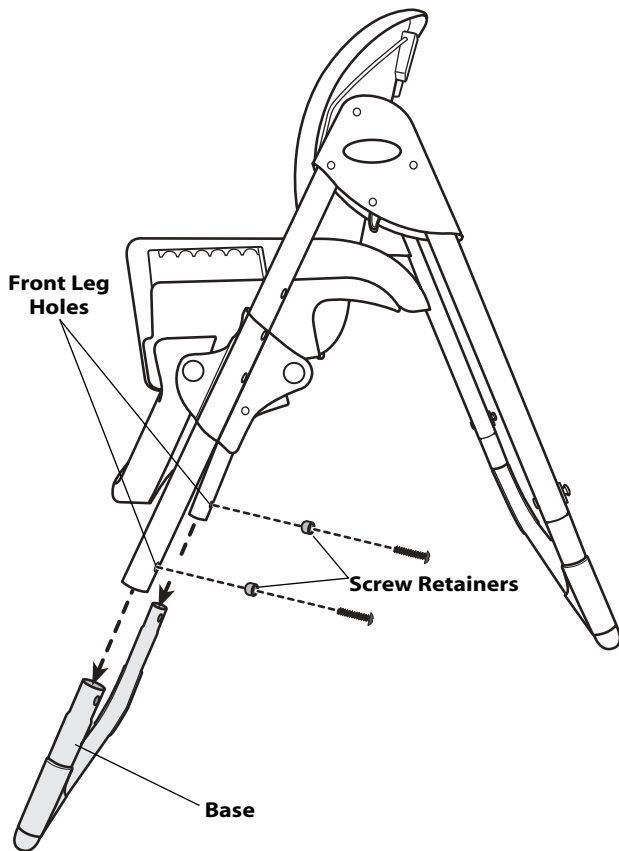
10

- Fit the seat assembly between the two frames.
- Insert the seat bottom tubes into the sockets in each seat height adjuster.

### Hints:

- Be sure the seat height adjusters are in the same position (position 4).
- You may need to push the frames apart slightly to fit the seat bottom tubes into the seat height adjuster sockets.

# Assembly



11



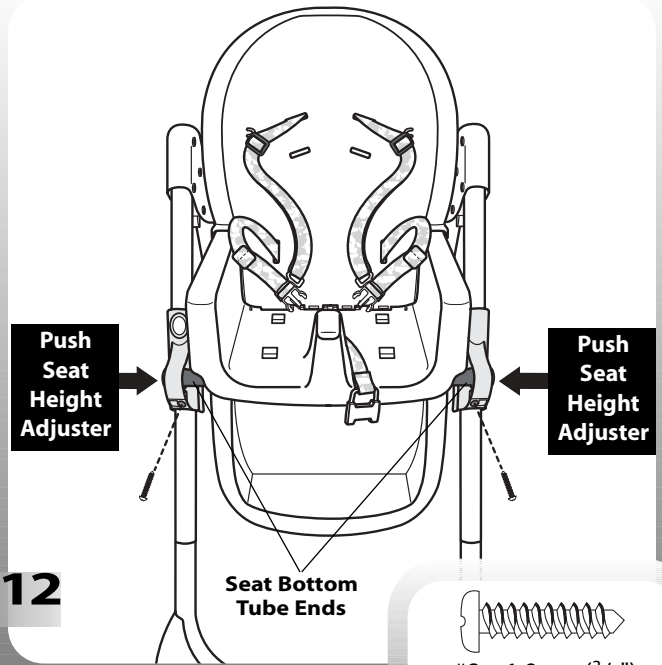
Screw Retainer - 2



#10 x 2.2 cm (7/8")  
Black Screw - 2  
SHOWN ACTUAL SIZE

- Fit the frame front legs into the other base.
- Fit a screw retainer over a hole in the base.
- Insert a #10 x 2.2 cm (7/8") **black** screw into the screw retainer and tighten.
- Repeat this procedure to fasten the other end of the base with the remaining screw retainer and #10 x 2.2 cm (7/8") **black** screw.

**Hint:** The #10 x 2.2 cm (7/8") black screws may have been assembled to the screw retainers.

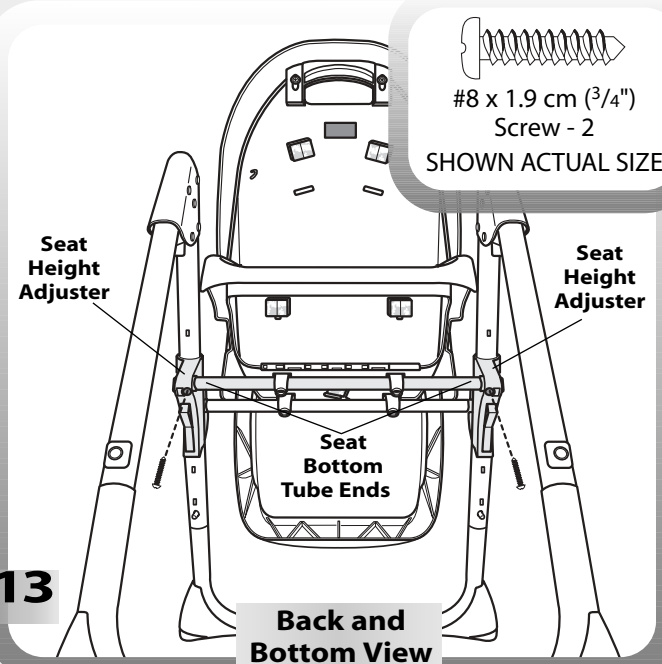


12



#8 x 1.9 cm (3/4")  
Screw - 2  
SHOWN ACTUAL SIZE

- Push each seat height adjuster to be sure they are completely on the seat bottom tubes.
- Insert a #8 x 1.9 cm (3/4") screw into each seat height adjuster and the ends of the seat bottom tube.
- Tighten the screws.



13

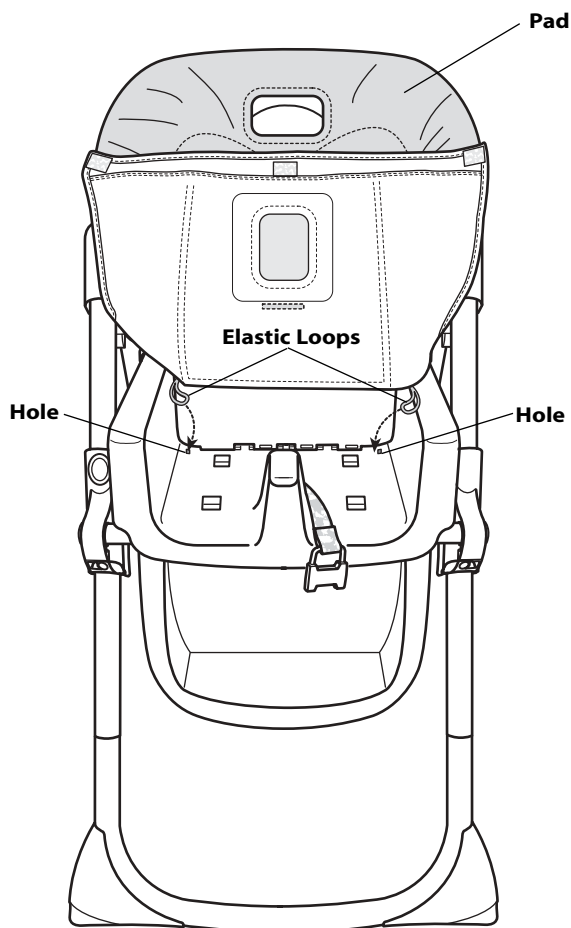


#8 x 1.9 cm (3/4")  
Screw - 2  
SHOWN ACTUAL SIZE

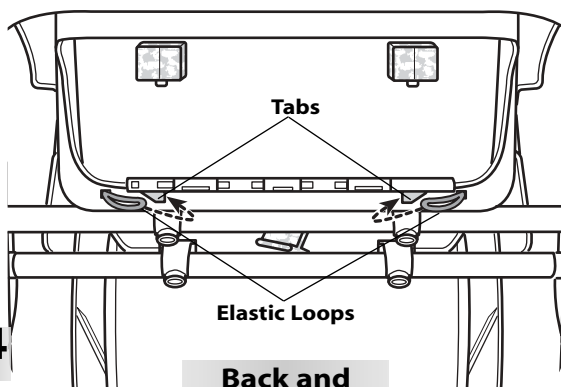
- From the back and bottom of the assembly, insert a #8 x 1.9 cm (3/4") screw through both seat height adjusters and the ends of the seat bottom tube.
- Tighten the screws.



# Assembly



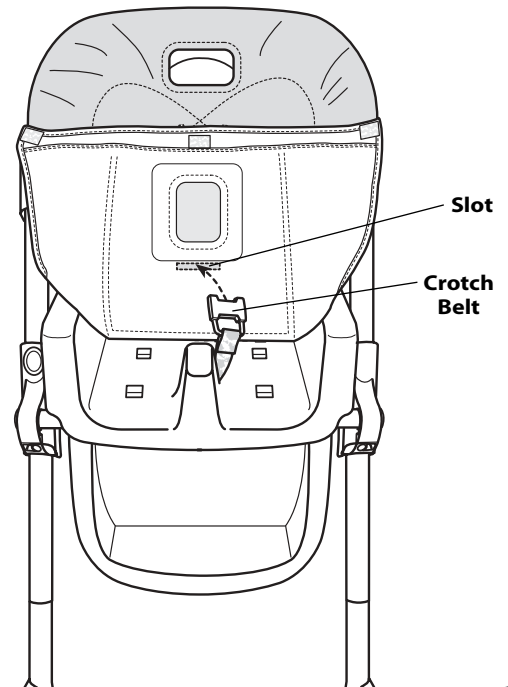
**Front View**



**14**

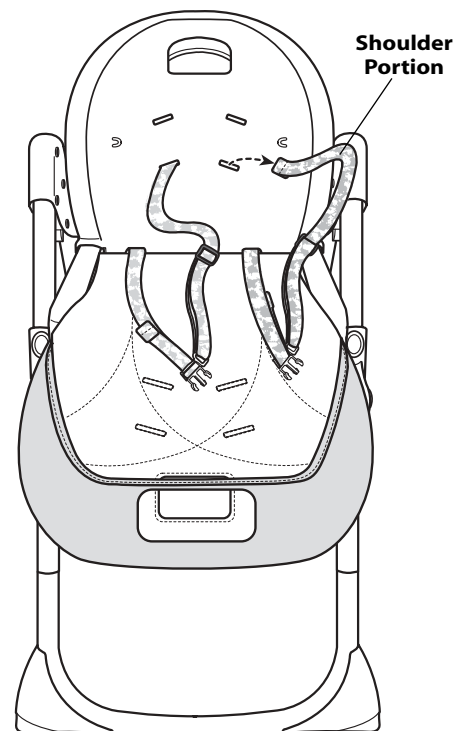
**Back and Bottom View**

- Lift the assembly upright.
- From the front of the assembly, place the pad onto the seat.
- Lift the bottom of the pad. Insert the two elastic loops on the pad through the holes in the seat bottom.
- From the back and bottom of the seat, hook the elastic loops to the tabs on the seat.



**15**

- Insert the crotch belt through the slot in the pad. Make sure the crotch belt is not twisted.

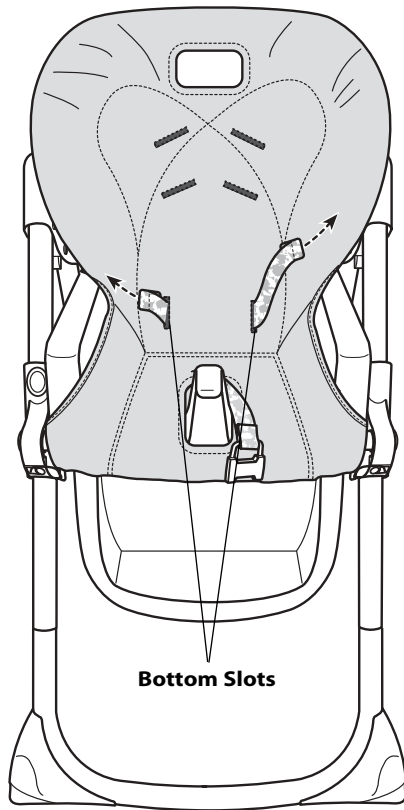


**16**

- Fold the top of the pad down.
- Remove the shoulder portion of the waist/shoulder belts by feeding them through the slots in the seat back.

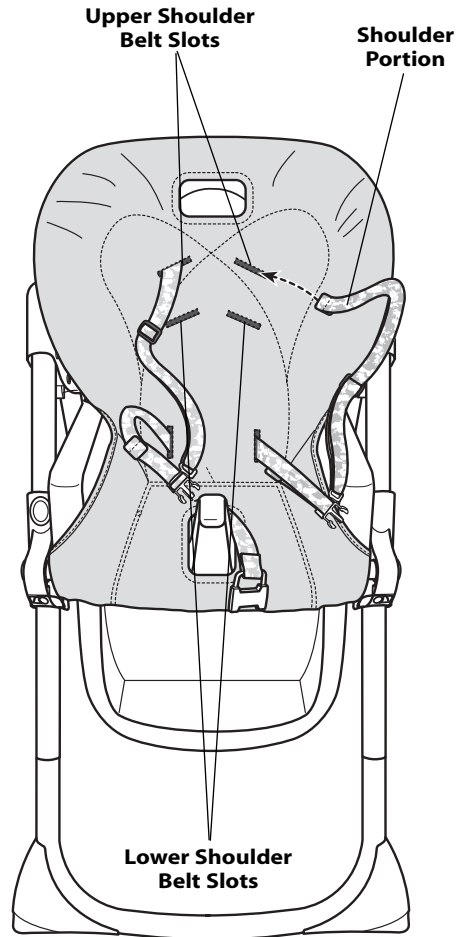


# Assembly



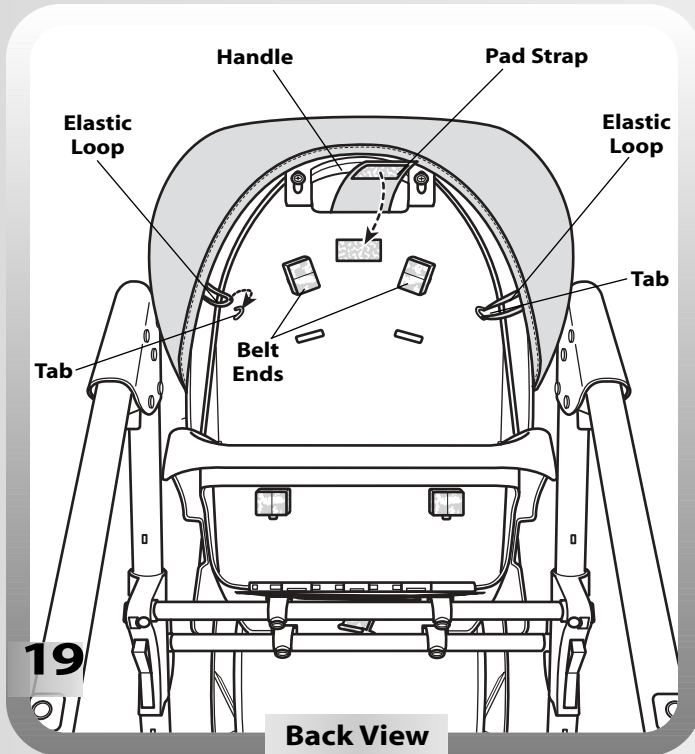
**17**

- Lift the top of the pad.
- Thread the waist/shoulder belts through the bottom slots in the back of the seat pad.



**18**

- Insert the shoulder portion of the shoulder/waist belt through the slots in the pad and seat back.
  - Use the lower shoulder belt slots for a smaller baby.
  - Use the upper shoulder belt slots for a larger baby.
- Fit the top of the pad over the seat back.
- Fold the bottom edge of the pad under the edge of the seat bottom to fasten.



- From behind the seat, be sure the shoulder portion of the waist/shoulder belts are secure in the seat back slots.
- Fit the pad strap through the handle and press it to the fastener on the back of the seat.
- Hook the elastic loops on each side of the pad onto the tabs in the seat back.

**Assembly is now complete.**

## IMPORTANT!

- Before each use, inspect this product for damaged hardware, loose joints, missing parts or sharp edges. DO NOT use if any parts are missing, damaged or broken. Contact Mattel for replacement parts and instructions if needed. Never substitute parts.
- Place the high chair on a level, stable surface away from electrical flexes. Be sure to keep electrical flexes out of child's reach.

## **WARNING**

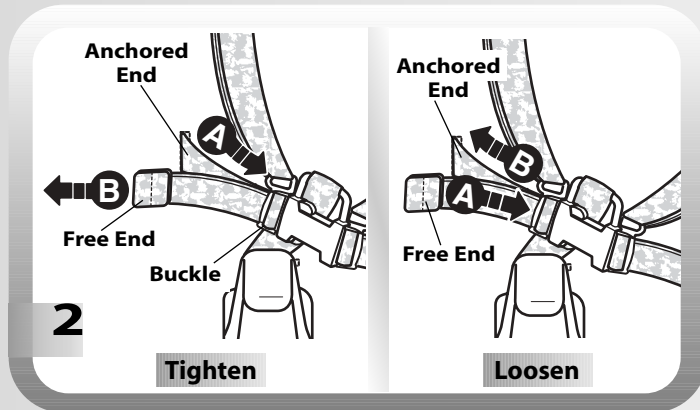
**Prevent serious injury or death from falls or sliding out.**

The child should at all times wear a safety harness correctly fitted and adjusted.



- Place your child in the seat. Position the crotch belt between your child's legs.
- Fasten both waist/shoulder belts to each side of the crotch belt. Make sure you hear a "**click**" on both sides.
- Check to be sure the restraint system is securely attached by pulling it away from your child. The restraint system should remain attached.

# Securing Your Child

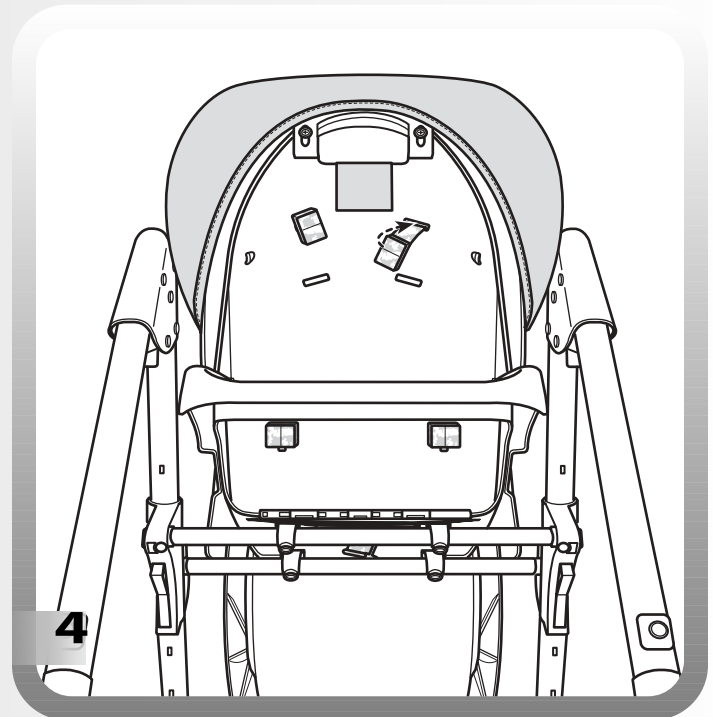


## To tighten the waist belts:

- Feed the anchored end of the waist belt up through the buckle to form a loop **A**.
- Pull the free end of the waist belt **B**.
- Repeat this procedure to tighten the other waist belt.

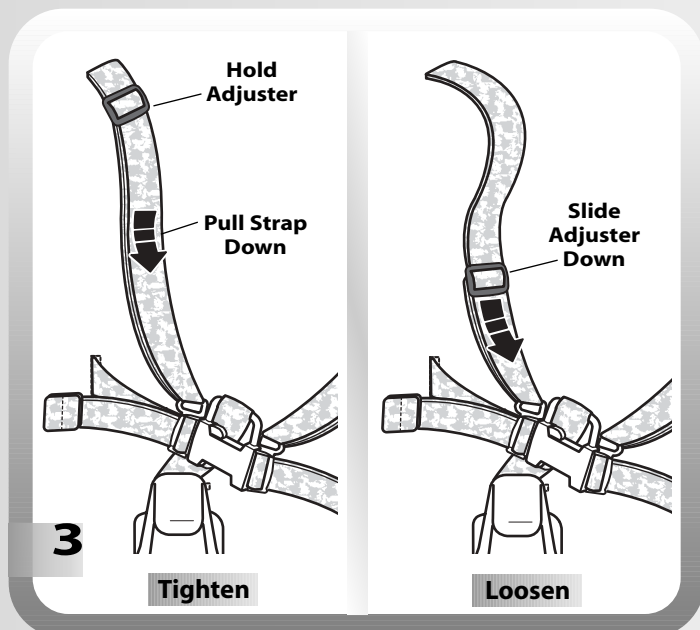
## To loosen the waist belts:

- Feed the free end of the waist belt up through the buckle to form a loop **A**.
- Enlarge the loop by pulling on the end of the loop toward the buckle.
- Pull the anchored end of the waist belt to shorten the free end of the waist belt **B**.
- Repeat this procedure to loosen the other waist belt.



## To change shoulder belt slots:

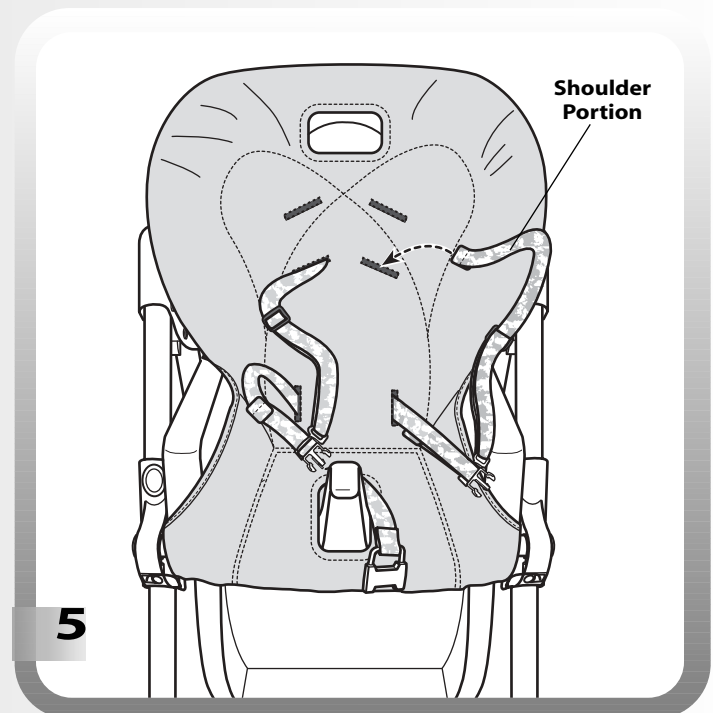
- From the back of the high chair, push the shoulder portion of the waist/shoulder belts through the seat back slots.



**To tighten the shoulder belts:** Hold the adjuster and pull the front shoulder strap down.

**To loosen the shoulder belts:** Slide the adjuster down.

**Note:** After adjusting the restraint system to fit your child, make sure you pull on it to be sure it is securely fastened.



- From the front of the high chair, pull the shoulder portion of the waist/shoulder belts out and then fit them back through the desired shoulder belt slots in the headrest pad, seat pad **and** the seat back. Pull on the belts to be sure they are secure in the seat back.

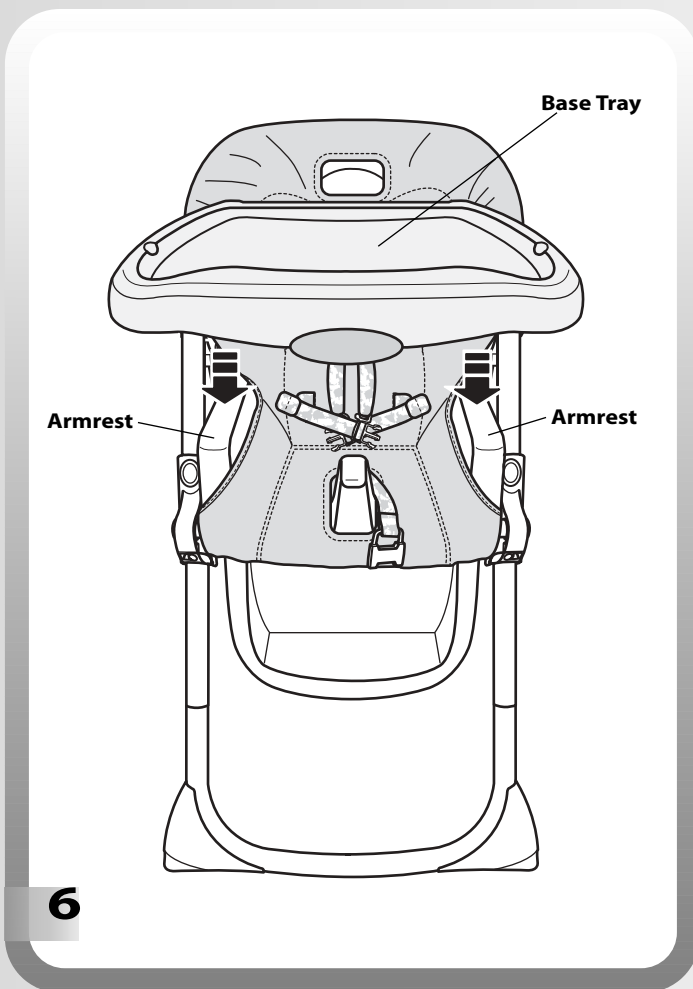
# Using the Trays

## **WARNING**

**Prevent serious injury or death from falls or sliding out.**

The tray is not designed to hold the child in the chair.

**Hint:** The base tray can be adjusted for your child's comfort two ways (see steps 7 and 8)!

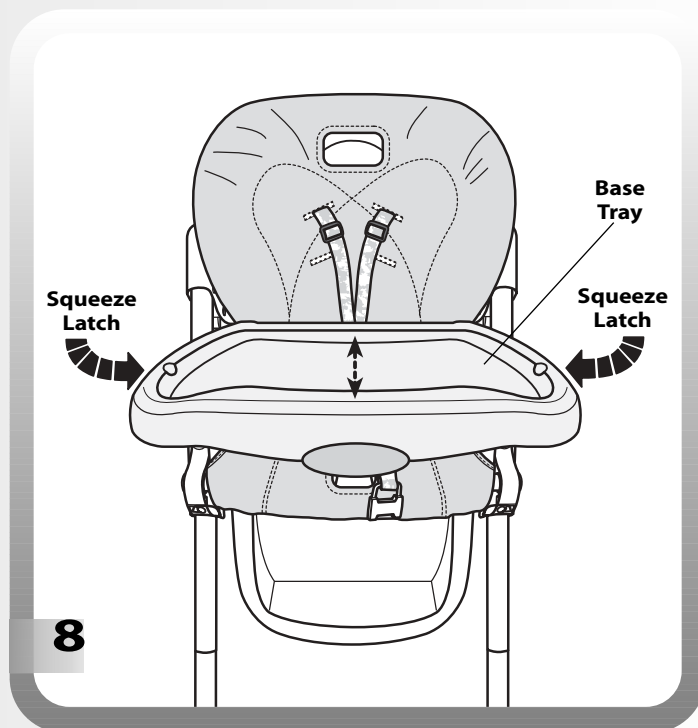


- Fit the base tray onto the seat armrests. Push down until the base tray "snaps" into place.

**Hint:** Before use, thoroughly wash all parts (the trays) that may contact food.



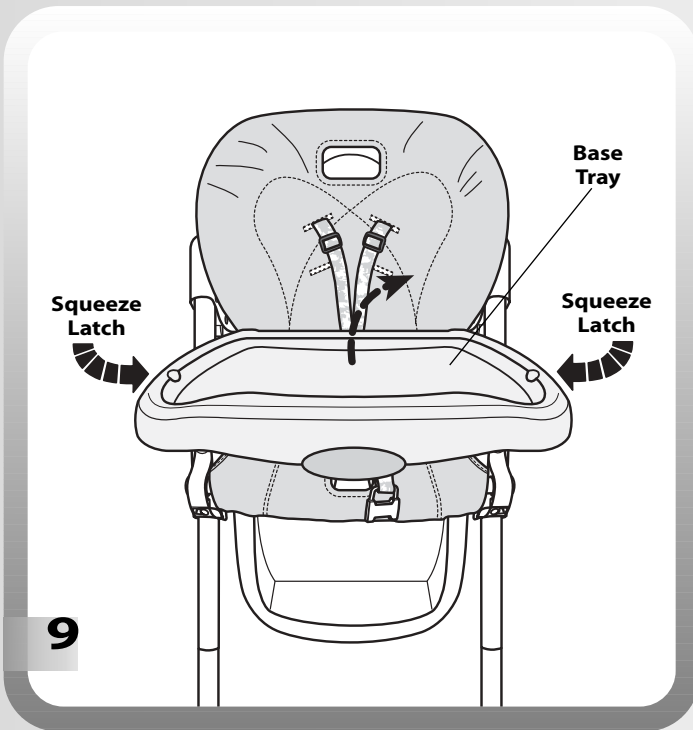
- While pushing the release bar on the front of the base tray, adjust the base tray forward or backward.



- While squeezing the latches underneath the base tray, adjust the base tray forward or backward.

# Using the Trays

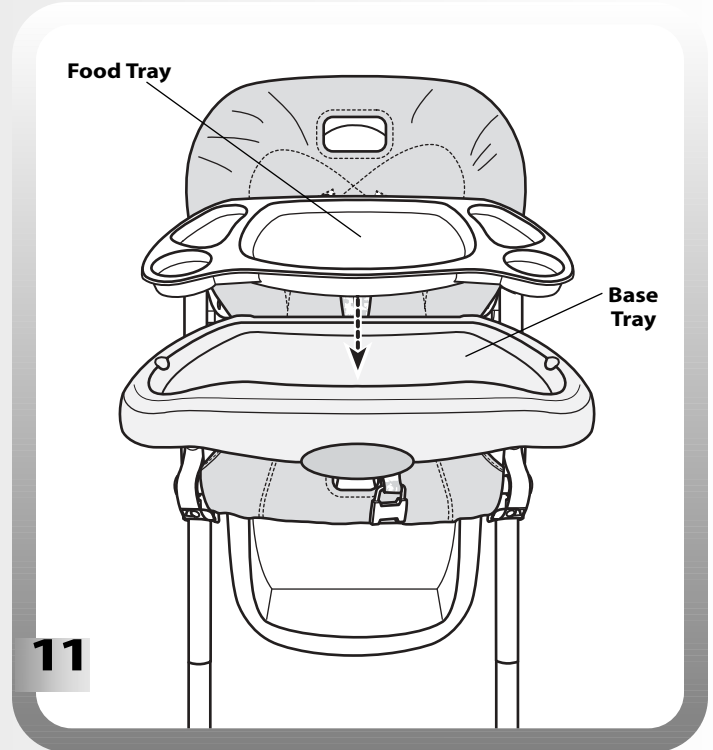
**Hint:** The base tray can be removed two ways (see steps 9 and 10)!



- Squeeze one or both of the latches underneath the base tray and lift.



- While pushing the release bar on the front of the base tray, pull the tray base towards you and remove.



- Fit the food tray into the base tray, as shown.

**Hint:** Before use, thoroughly wash all parts (the trays) that may contact food.

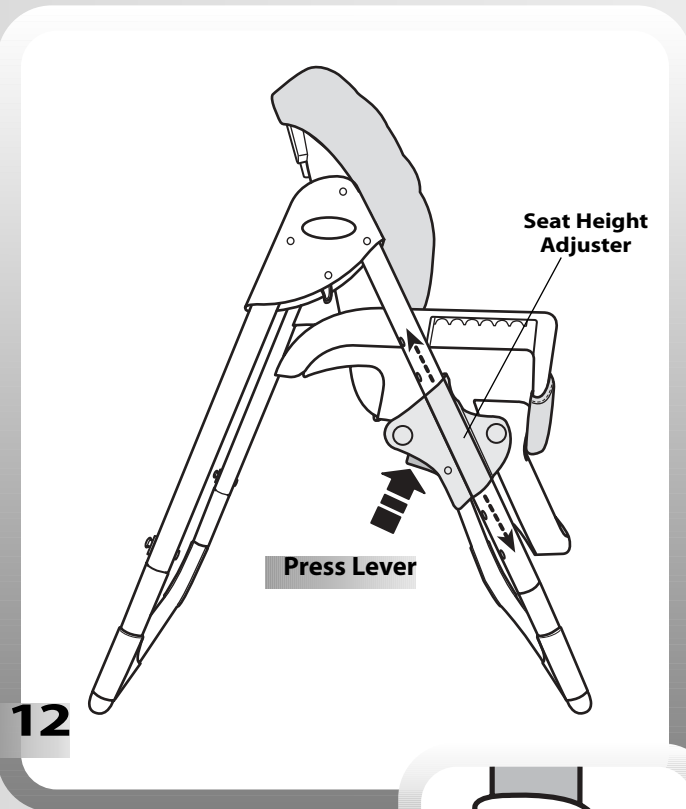
# Adjusting the Seat

## **WARNING**

**Prevent serious injury or death from falls or sliding out.**

It is recommended that the high chair be used in the upright position only by children capable of sitting upright unassisted.

**Hint:** Adjust the seat height to any of seven positions!



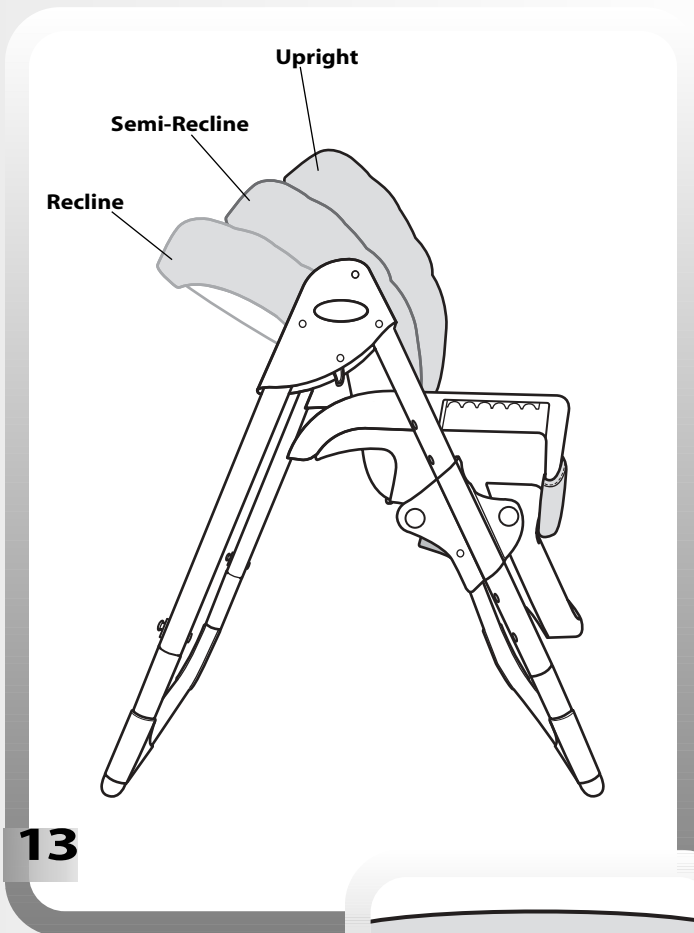
### To adjust the seat height:

- Press the levers on both seat height adjusters and lift or lower the seat to the desired height.
- Make sure both sides of the seat are adjusted to the same height. Push the seat bottom to be sure the seat is locked in place.

**Note:** Make sure there is nothing obstructing the seat height adjusters.

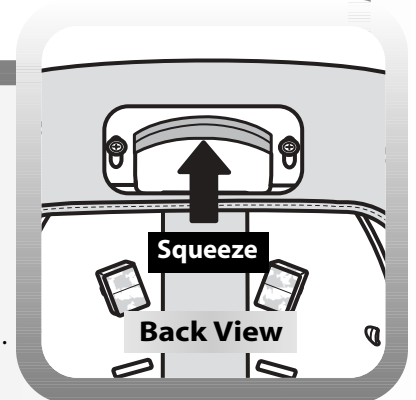


**Hint:** Adjust the seat angle to any of three positions: Upright, Semi-Recline or Recline.



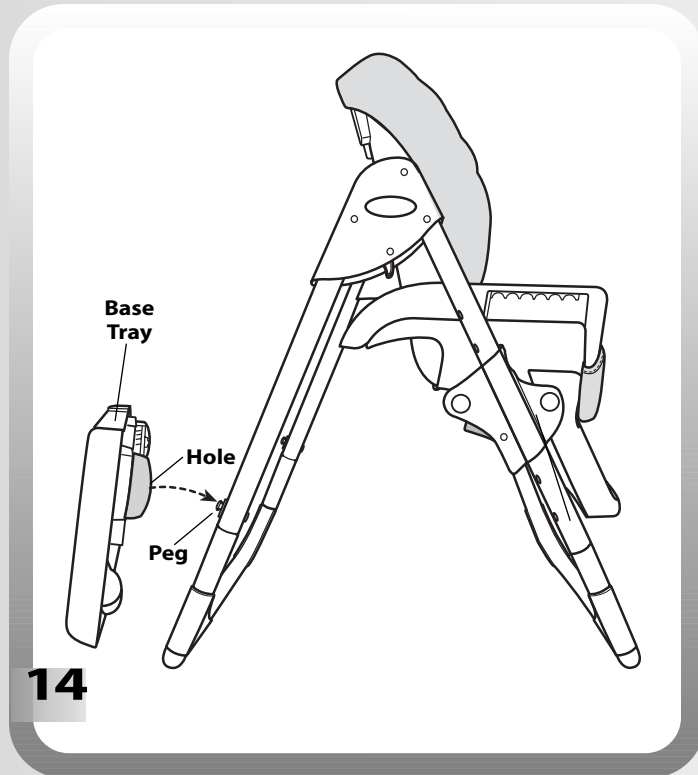
### To adjust the seat angle:

- Squeeze the seat back handle and push the seat back forward or, pull it backwards to the desired position.
- Push the seat back to be sure it is latched in position.



## Storage

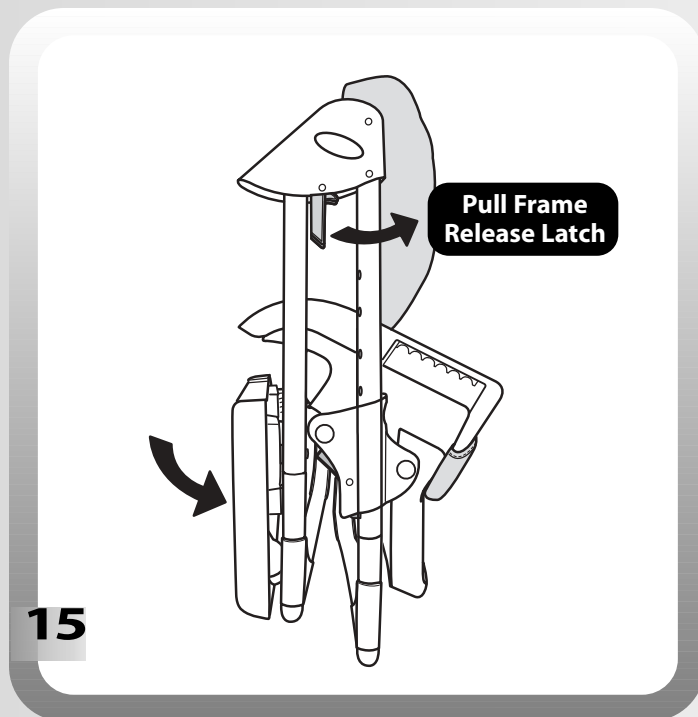
## Care



- The pad, toy, frame and base tray may be wiped clean using a mild cleaning solution and a damp cloth. Do not immerse the base tray.
- The food trays are dishwasher safe. Simply remove the food tray from the base tray and place in your dishwasher.

**IMPORTANT!** Never use this product without the restraint system. Replace the waist/shoulder belts and crotch belt.

- Fit the holes on the base tray latches onto the pegs on the back of the high chair frame.



- With the legs all the way open, lower the seat to position 1 (the lowest position).
- Pull the frame release latches forward and push the rear legs toward the front legs.



Fisher-Price, Inc., a subsidiary of Mattel, Inc.  
East Aurora, New York 14052, U.S.A.  
©2003 Mattel, Inc. All Rights Reserved.  
® and ™ designate U.S. trademarks of Mattel, Inc.

## Free Manuals Download Website

<http://myh66.com>

<http://usermanuals.us>

<http://www.somanuals.com>

<http://www.4manuals.cc>

<http://www.manual-lib.com>

<http://www.404manual.com>

<http://www.luxmanual.com>

<http://aubethermostatmanual.com>

Golf course search by state

<http://golfingnear.com>

Email search by domain

<http://emailbydomain.com>

Auto manuals search

<http://auto.somanuals.com>

TV manuals search

<http://tv.somanuals.com>