



P5755



IMPORTANT!
KEEP INSTRUCTIONS
FOR FUTURE REFERENCE.

Consumer Information



WARNING

Prevent serious injury or death from falls or sliding out:

- The child should at all times wear a safety harness correctly fitted and adjusted. The tray is not designed to hold the child in the chair.
- It is recommended that only children capable of sitting upright unassisted use the high chair in the upright position.
- Always keep child in view while using the high chair.
- Never leave child unattended.
- Do not use the high chair unless all components are correctly fitted and adjusted.

Prevent injury from burns: Do not place this high chair near open fires or any hot surfaces.

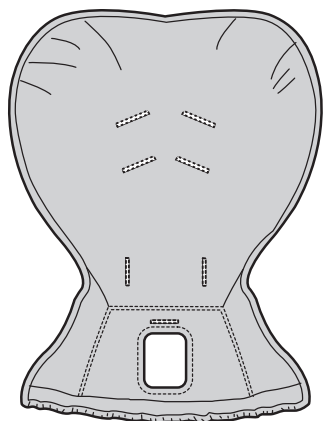
IMPORTANT! Place the high chair on a level, stable surface away from electrical flexes. Be sure to keep electrical flexes out of child's reach.

- Please read these instructions before assembly and use of this product.
- Adult assembly is required.
- Tool needed for assembly: Phillips Screwdriver (not included).
- Product features and decorations may vary from the photograph.

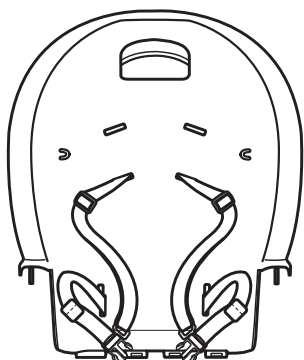
Assembled Parts



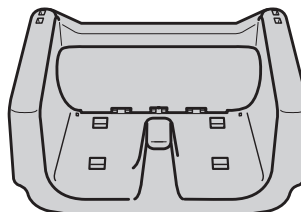
This package contains small parts in its unassembled state. Adult assembly is required.



Pad



Seat Back



Seat Bottom



2 Frames



Back Base



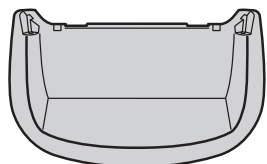
Front Base



Hinge Rod



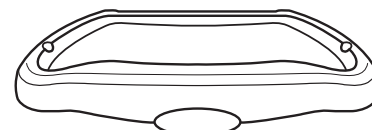
2 Seat Bottom Tubes



Footrest



Food Tray



Base Tray

Note: Tighten or loosen all screws with a Phillips screwdriver. Do not over-tighten the screws.



#8 x 1,9 cm Screws – 8

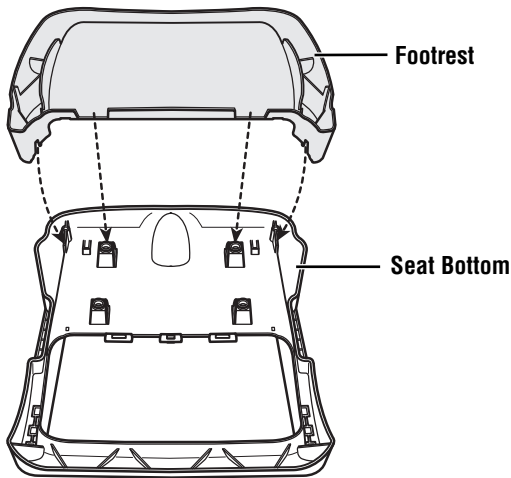


#10 x 2,2 cm Black Screw – 7

Shown Actual Size

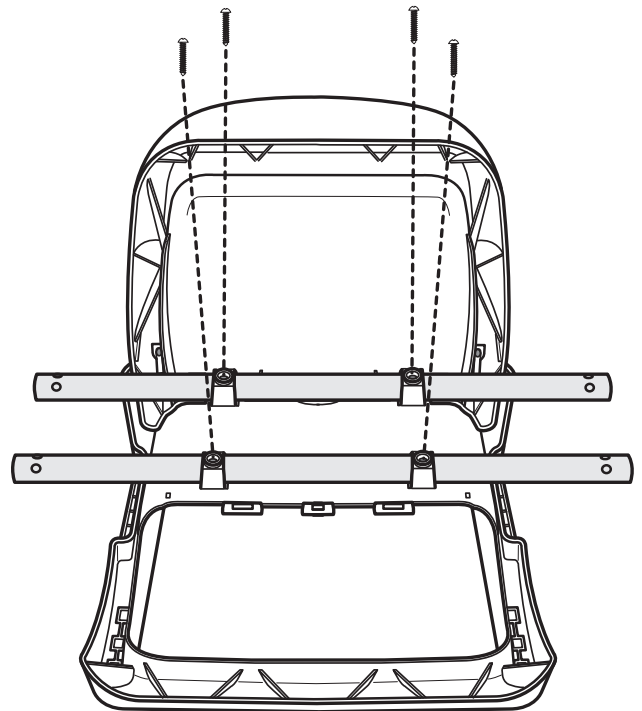
Assembly

IMPORTANT! Before assembly and each use, inspect this product for damaged hardware, loose joints, missing parts or sharp edges. DO NOT use if any parts are missing or broken. Contact Fisher-Price® for replacement parts and instructions if needed. Never substitute parts.

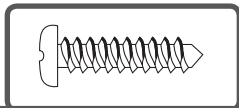


1

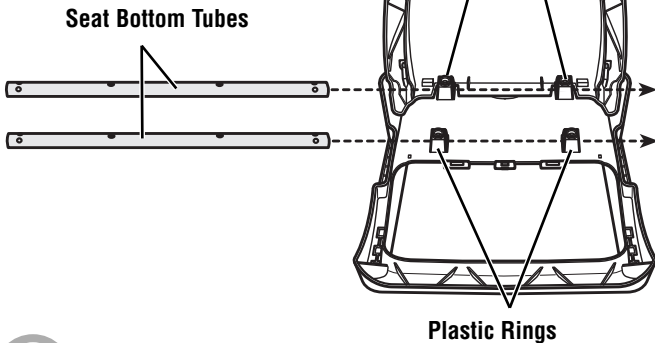
- Place the seat bottom face down on a flat surface.
- At an angle, fit the footrest on the seat bottom, as shown.



3



- Align the holes in the plastic rings and the seat bottom tubes.
- Insert a #8 x 1,9 cm screw through each plastic ring and into the seat bottom tubes, as shown. Tighten the screws. This may require extra force.
- Push the seat bottom tubes back and forth to be sure they are secured to the seat bottom. If the seat bottom tubes move, you have probably not fastened them properly. Remove the screws and check to be sure the screw holes in the seat bottom tubes and seat bottom plastic rings are aligned. Replace and tighten the screws.

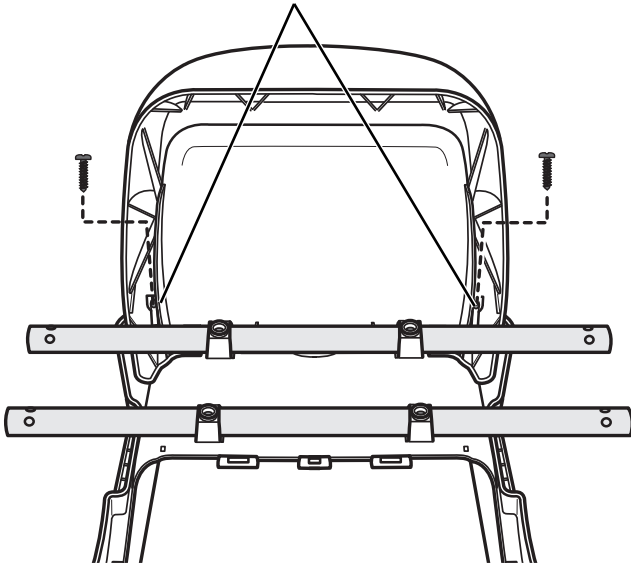


2

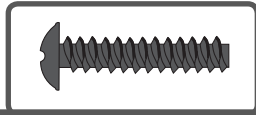
- Slide a seat bottom tube through each set of plastic rings on the seat bottom.

Assembly

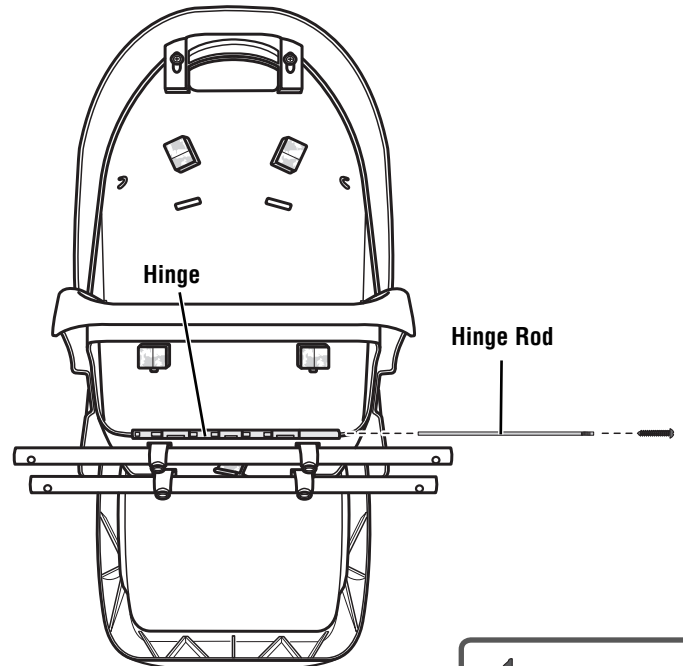
Insert Screws Here



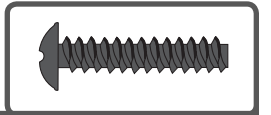
4



- Insert two #10 x 2,2 cm **black** screws through the footrest and into the seat bottom. Tighten the screws. This may require extra force.

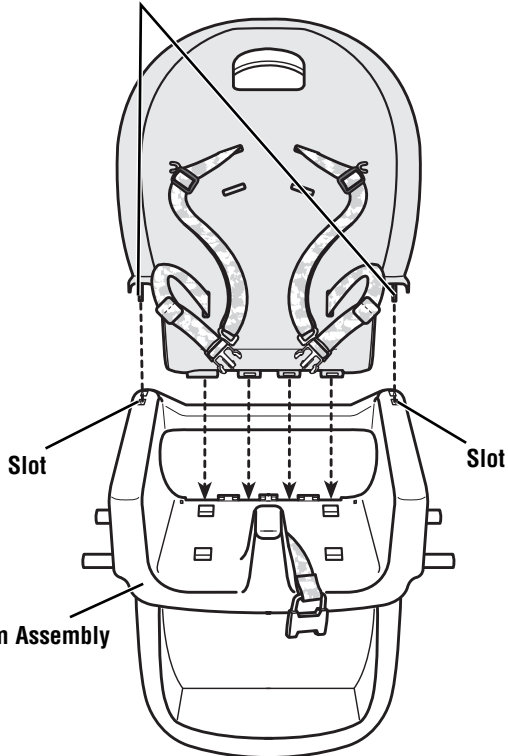


6



- Turn the seat assembly face down.
- Insert the hinge rod through the hinge on the seat back and seat bottom, as shown.
- Insert a #10 x 2,2 cm **black** screw into the hinge rod. Tighten the screw.
- Set the seat assembly aside for Assembly step 9.

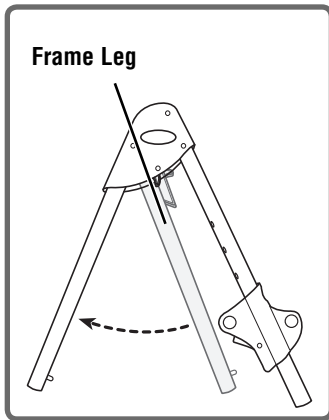
Seat Back Pin



5

- Turn the seat bottom assembly upright.
- Fit the seat back pins into the slots in the top side of the seat bottom assembly.

Assembly



Frame Leg

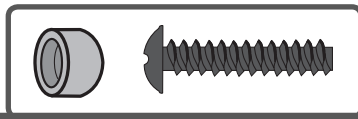
Frame Decorated Side

Frame Back Legs

Base

Screw Retainers

7



- Pull the frame leg out on each frame to open. Make sure it "clicks" into place.
- Position a frame so that the decorated side is outward.
- Fit the end of a base into the back leg of a frame.
- Fit a screw retainer over the hole in the back leg, as shown.
- Insert a #10 x 2,2 cm **black** screw through the screw retainer and back leg. Tighten the screw.
- Repeat this procedure to fasten the other frame back leg to the other side of the base.

Hint: The #10 x 2,2 cm **black** screws may have been assembled to the screw retainers.

Seat Height Adjusters

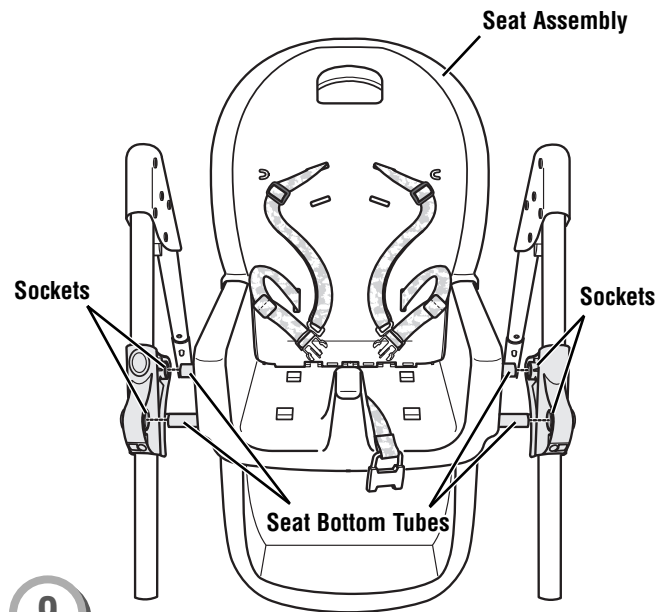


Position 4

Press Lever

8

- While pressing the levers on the seat height adjusters, lift them to position 4 on the frame front legs, as shown.



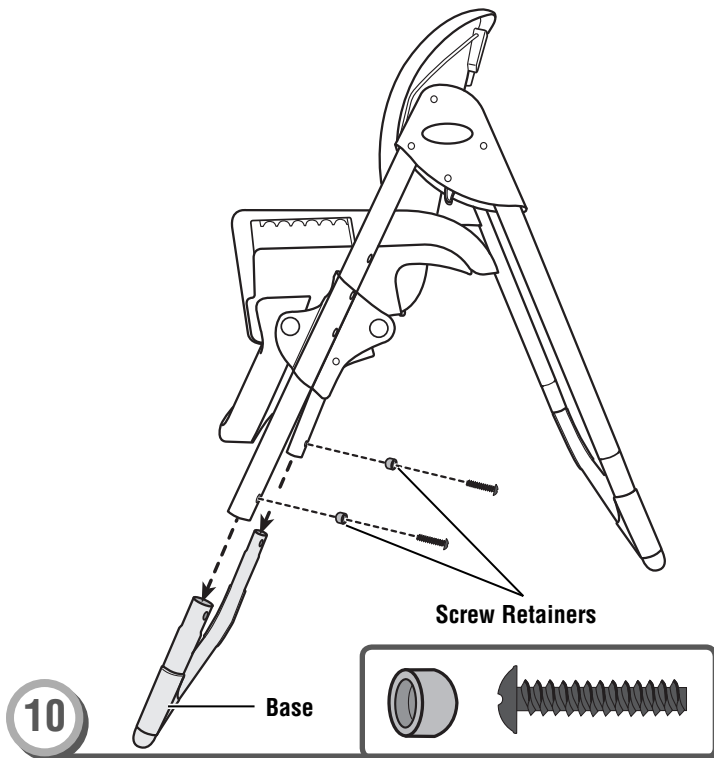
9

- Fit the seat assembly between the frames.
- Insert the seat bottom tubes into the sockets in each seat height adjuster.

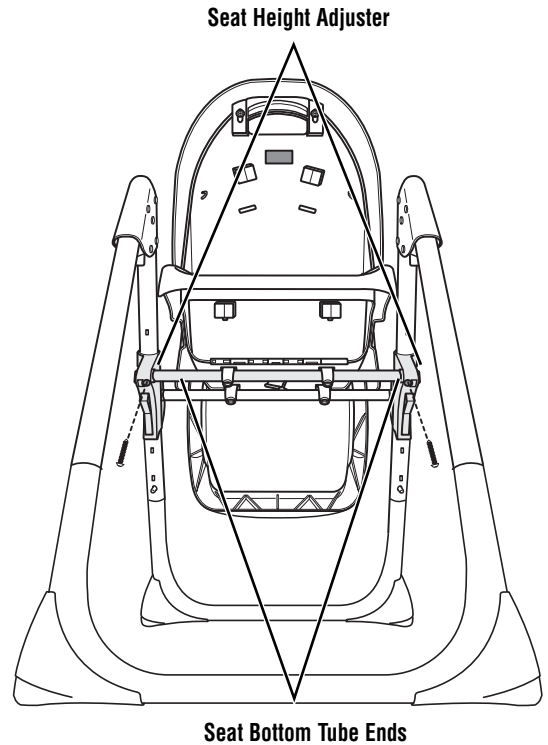
Hints:

- Be sure the seat height adjusters are in the same position (position 4).
- You may need to push the frames apart slightly to fit the seat bottom tubes into the seat height adjuster sockets.

Assembly

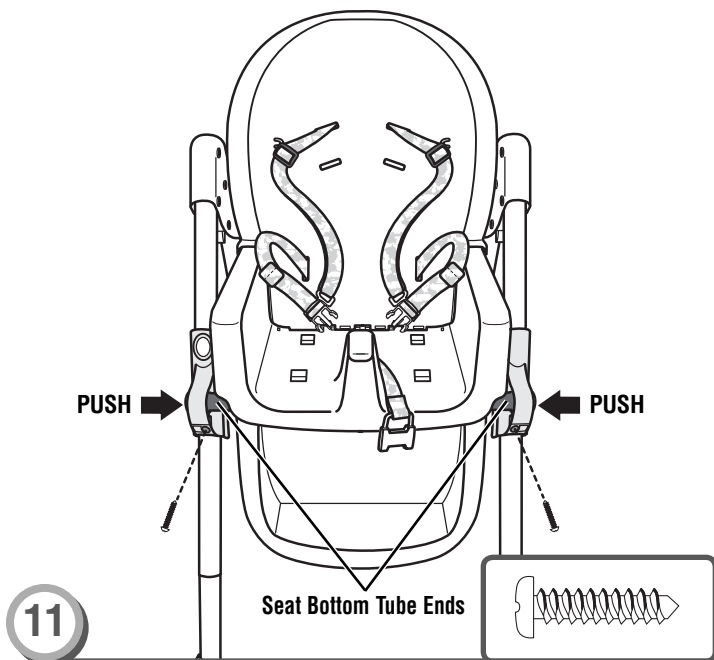


- Fit the frame front legs onto the remaining base.
 - Fit a screw retainer over a hole in the front leg.
 - Insert a #10 x 2,2 cm **black** screw through the screw retainer and front leg. Tighten the screw.
 - Repeat this procedure to secure the other end of the base with the remaining screw retainer and #10 x 2,2 cm **black** screw.
- Hint: The #10 x 2,2 cm **black** screws may have been assembled to the screw retainers.*



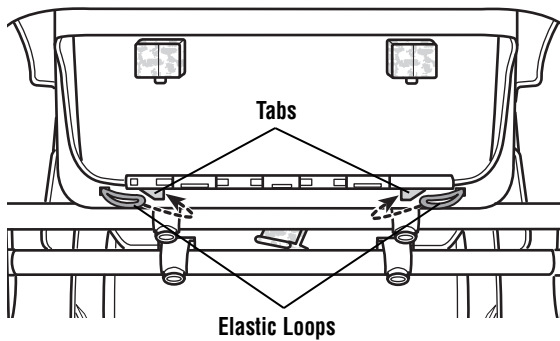
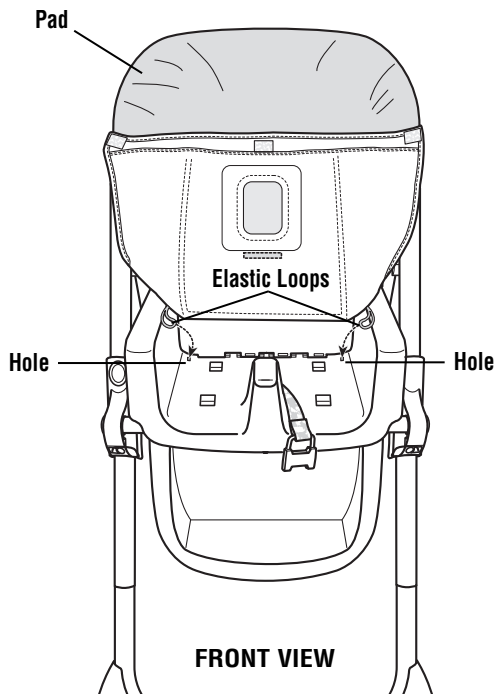
12

- Push each seat height adjuster to be sure they are completely on the seat bottom tubes.
- Insert a #8 x 1,9 cm screw through each seat height adjuster and the ends of the seat bottom tube. Tighten the screws. This may require extra force.



- Push each seat height adjuster to be sure they are completely on the seat bottom tubes.
- Insert a #8 x 1,9 cm screw through each seat height adjuster and the ends of the seat bottom tube. Tighten the screws. This may require extra force.

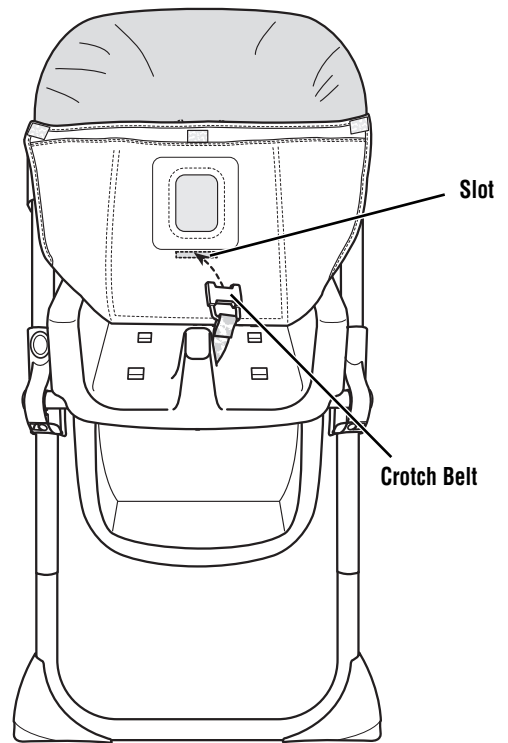
Assembly



13

BACK AND BOTTOM VIEW

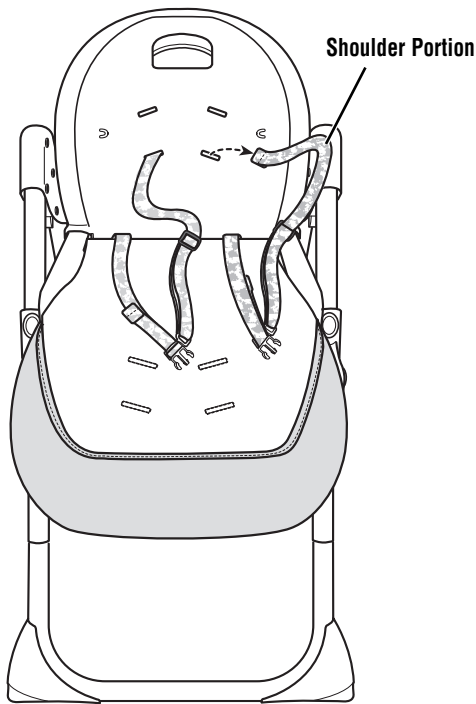
- Lift the bottom of the pad. Insert the two elastic loops on the pad through the holes in the seat bottom.
- From the back and bottom of the seat, hook the elastic loops to the tabs on the seat.



14

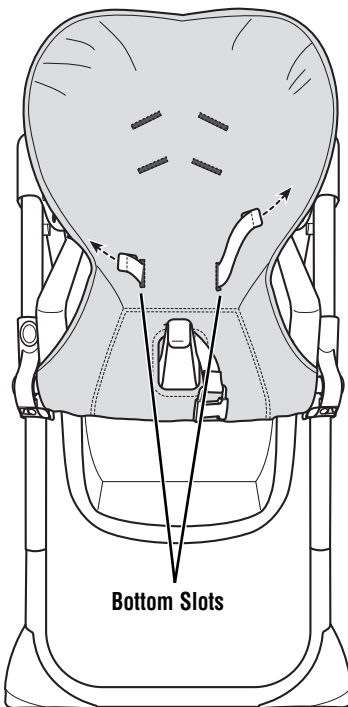
- Insert the crotch belt through the slot in the pad. Make sure the crotch belt is not twisted.

Assembly



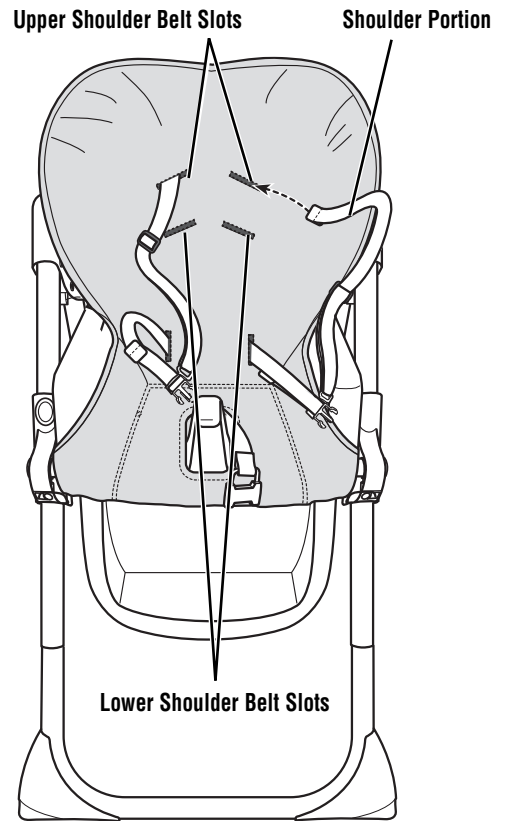
15

- Fold the top of the pad down.
- Remove the shoulder portion of the waist/shoulder belts by feeding them through the slots in the seat back.



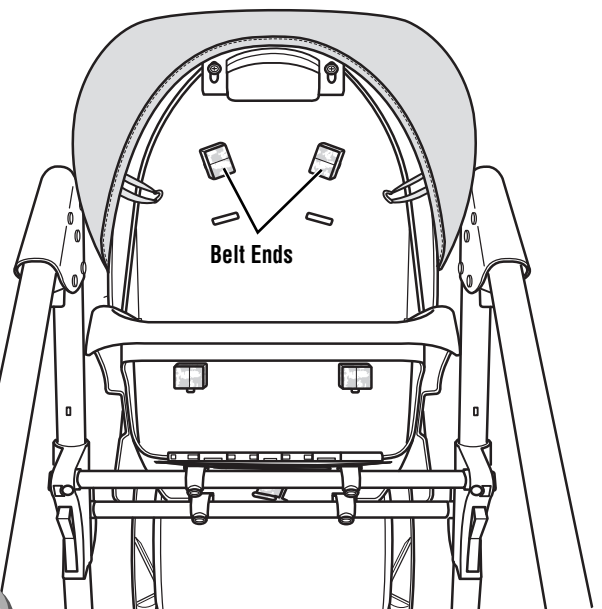
16

- Lift the top of the pad.
- Thread the waist/shoulder belts through the bottom slots in the back of the seat pad.



17

- Insert the shoulder portion of the shoulder/waist belt through the slots in the pad and seat back.
 - Use the lower shoulder belt slots for a smaller baby.
 - Use the upper shoulder belt slots for a larger baby.
- Fit the top of the pad over the seat back.
- Fold the bottom edge of the pad under the edge of the seat bottom to fasten.



18

- From behind the seat, be sure the shoulder portion of the waist/shoulder belts are secure in the seat back slots.

Secure Child



WARNING

Prevent serious injury or death from falls or sliding out:

- The child should at all times wear a safety harness correctly fitted and adjusted. The tray is not designed to hold the child in the chair.
- Do not use the high chair unless all components are correctly fitted and adjusted.

Waist/Shoulder Belt

Waist/Shoulder Belt



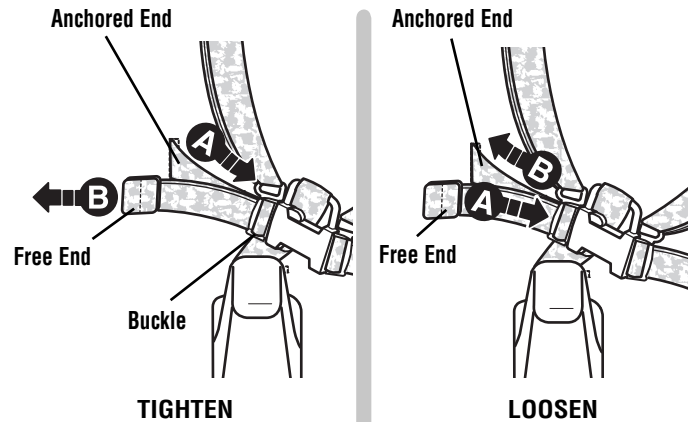
1

- Place your child in the seat. Position the crotch belt between your child's legs.
- Fasten both waist/shoulder belts to each side of the crotch belt. Make sure you hear a "click" on both sides.
- Check to be sure the restraint system is securely attached by pulling it away from your child. The restraint system should remain attached.



2

- Tighten each waist belt and shoulder belt so that the restraint system is snug against your child. Please refer to the next section for instructions to tighten the waist belts.



3

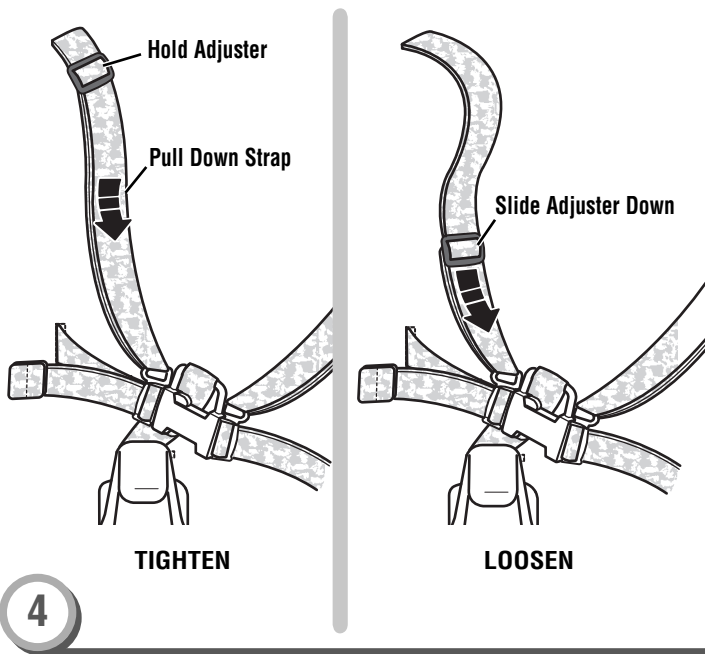
To tighten the waist belts:

- Feed the anchored end of the waist belt up through the buckle to form a loop **A**.
- Pull the free end of the waist belt **B**.
- Repeat this procedure to tighten the other waist belt.

To loosen the waist belts:

- Feed the free end of the waist belt up through the buckle to form a loop **A**.
- Enlarge the loop by pulling on the end of the loop toward the buckle.
- Pull the anchored end of the waist belt to shorten the free end of the waist belt **B**.
- Repeat this procedure to loosen the other waist belt.

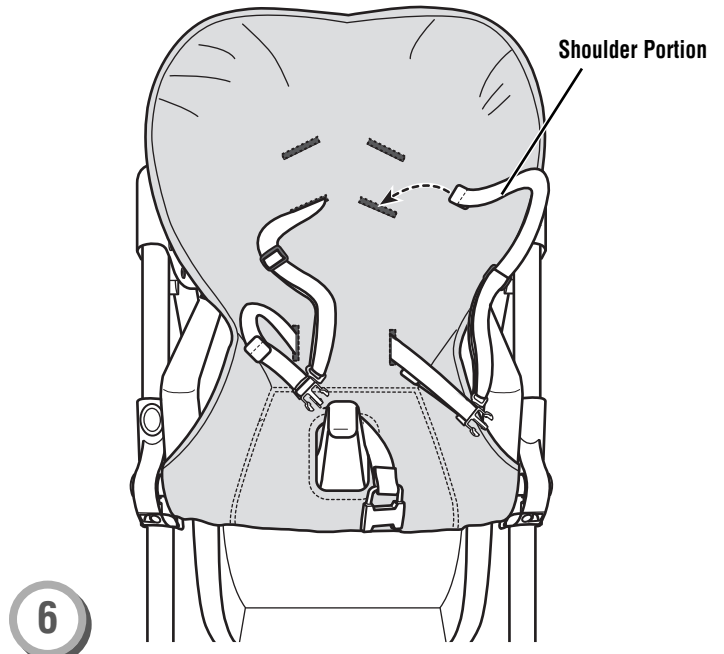
Secure Child



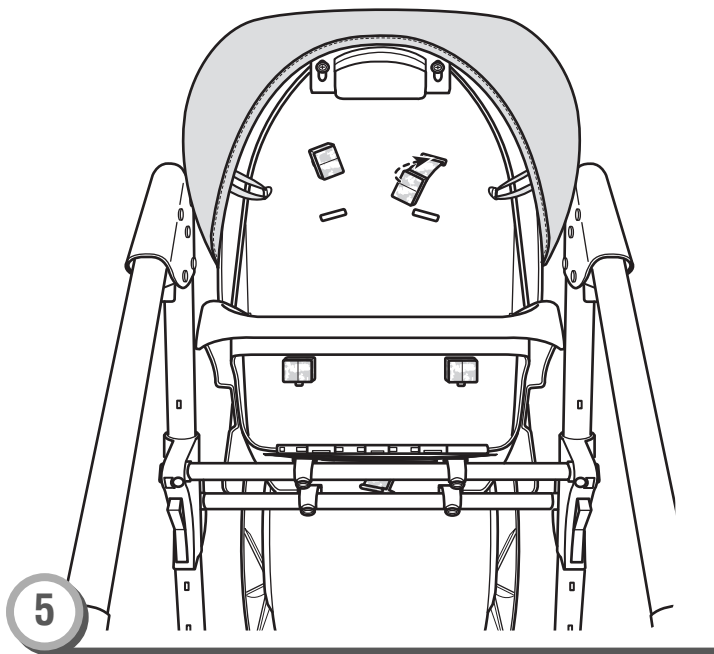
To tighten the shoulder belts: Hold the adjuster and pull the front shoulder strap down.

To loosen the shoulder belts: Slide the adjuster down.

Note: After adjusting the restraint system to fit your child, make sure you pull on it to be sure it is securely fastened.



- From the front of the high chair, pull the shoulder portion of the waist/shoulder belts out and then fit them back through the desired shoulder belt slots in the headrest pad, seat pad **and** the seat back.
- Pull on the belts to be sure they are secure in the seat back.



To change shoulder belt slots:

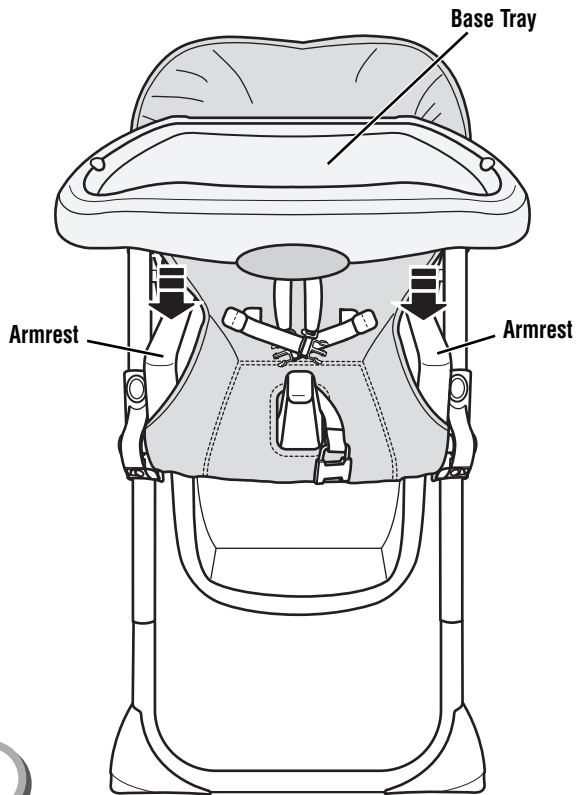
- From the back of the high chair, push the shoulder portion of the waist/shoulder belts through the seat back slots.

Using the Trays

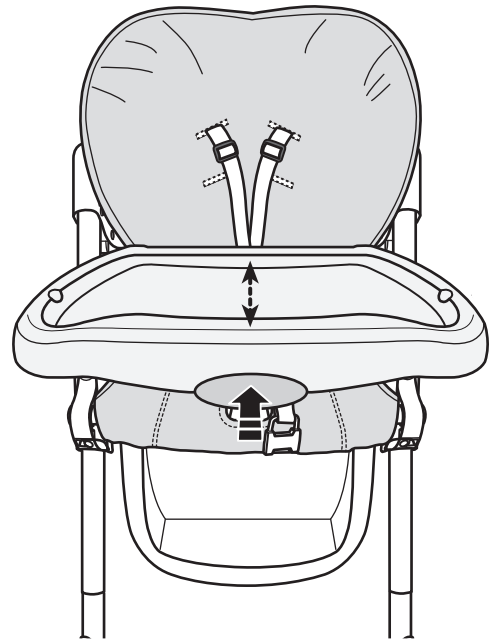


WARNING

Prevent serious injury or death from falls or sliding out. The child should at all times wear a safety harness correctly fitted and adjusted. The tray is not designed to hold the child in the chair.

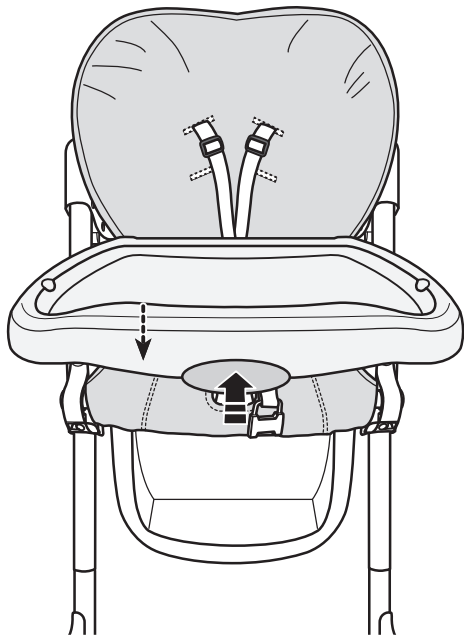


- Fit the base tray onto the seat armrests. Push down until the base tray **"snaps"** into place.
- Hint:** Before use, thoroughly wash all parts (the trays) that may contact food. The base tray is not dishwasher safe.



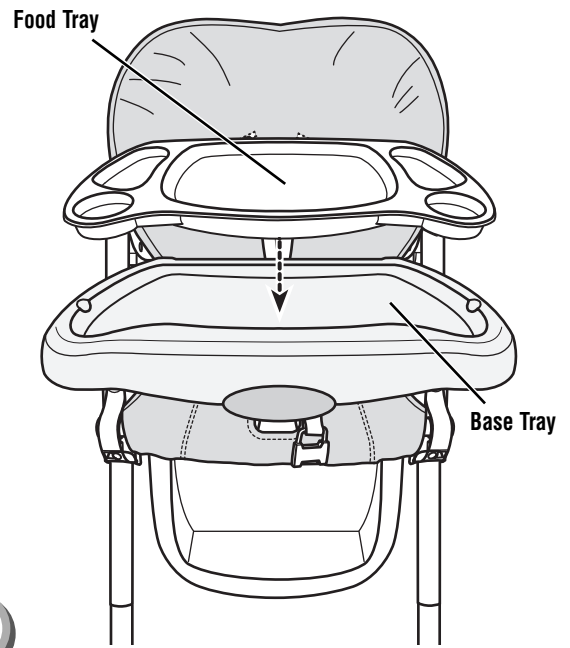
- While pushing the release bar on the front of the base tray, adjust the base tray forward or backward.

Using the Trays



9

- While pushing the release bar on the front of the base tray, pull the tray base towards you and remove.



10

- Fit the food tray into the base tray, as shown.
Hint: Before use, thoroughly wash all parts (the trays) that may contact food. The food tray is not microwave safe.

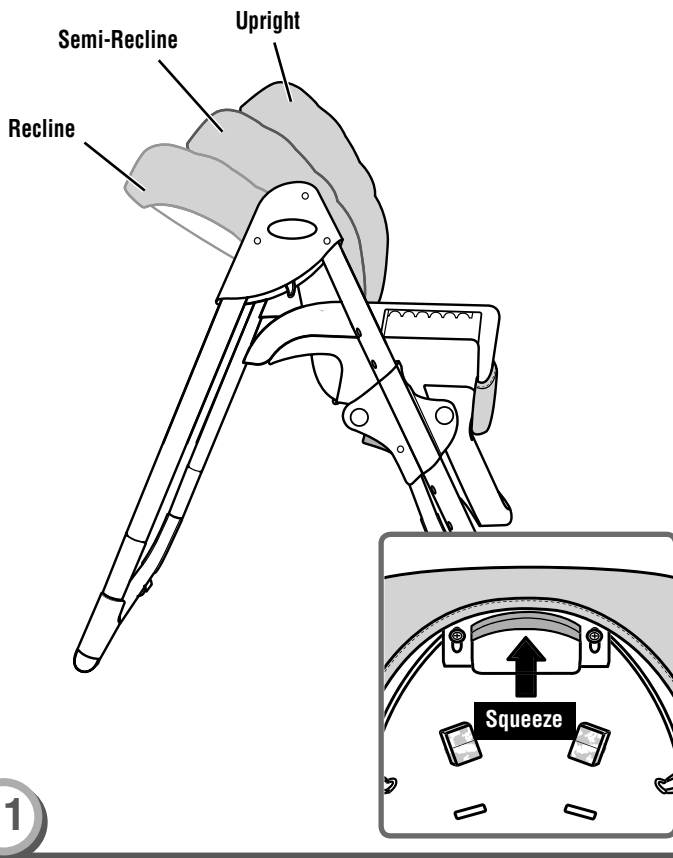
Adjusting the Seat



WARNING

Prevent serious injury or death from falls or sliding out: It is recommended that only children capable of sitting upright unassisted use the high chair in the upright position.

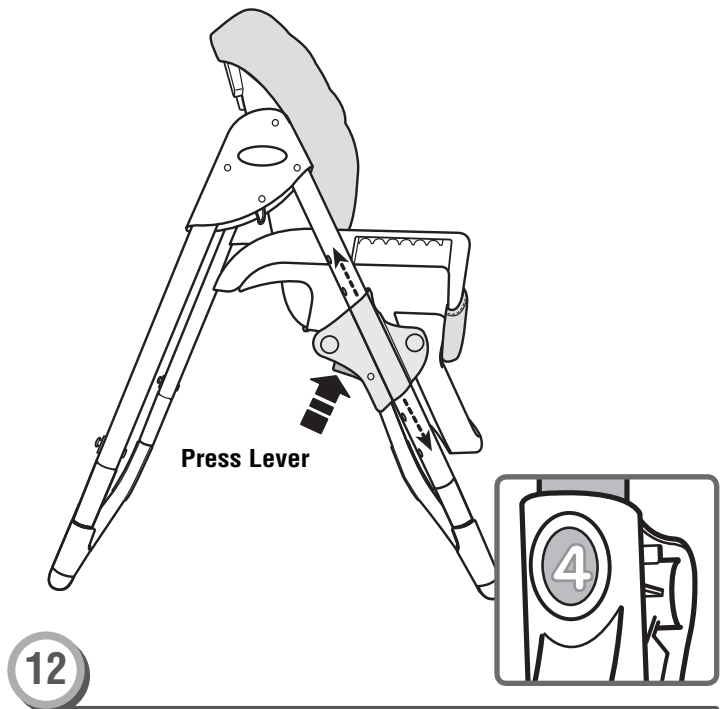
Hint: Adjust the seat angle to any of three positions: Upright, Semi-Recline or Recline.



To adjust the seat angle:

- Squeeze the seat back handle and push the seat back forward or, pull it backwards to the desired position.
- Push the seat back to be sure it is latched in position.

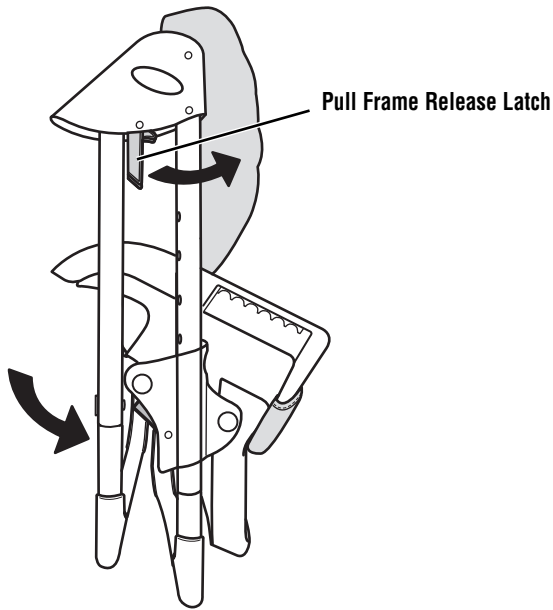
Hint: Adjust the seat height to any of seven positions!



To adjust the seat height:

- Press the levers on both seat height adjusters and lift or lower the seat to the desired height.
- Make sure both sides of the seat are adjusted to the same height. Push the seat bottom to be sure the seat is locked in place.

Storage



13

- With the legs all the way open, lower the seat to position 7 (the lowest position).
- Pull the frame release latches forward and push the rear legs toward the front legs.

Care

- The restraint system, pad, frame, trays and tray toy may be wiped clean using a mild cleaning solution and a damp cloth. Do not use bleach.
- The food tray is also top rack dishwasher safe (or use bottom rack - without using the drying cycle).

To remove the pad:

- Remove the elastic loops from the pegs on the back of the seat.
- From behind the product, squeeze the restraint release tabs and remove the restraint system from the peg.
- From the front of the product, pull to remove the restraint system.
- Unfasten the pad hooks from the front edge of the seat. Lift the top of the pad off of the seat back.
- To replace the pad: refer to assembly steps 13-17.

IMPORTANT! Never use this product without the restraint system. Replace the waist/shoulder belts and crotch belt.



Great Britain: Vanwall Business Park, Maidenhead SL6 4UB. Helpline: 01628 500303. www.service.mattel.com/uk.

Asia: Mattel East Asia Ltd, Room 1106, South Tower, World Finance Centre, Harbour City, Tsimshatsui, HK, China.

Malaysia: Diimport & Diedarkan Oleh: Mattel SEA Ptd Ltd. (993532-P) Lot 13.5, 13th Floor, Menara Lien Hoe, Persiaran Tropicana Golf Country Resort, 47410 PJ. Tel: 03-78803817, Fax: 03-78803867.

Fisher Price, Inc., a subsidiary of Mattel, Inc., East Aurora, NY 14052 U.S.A.
©2008 Mattel, Inc. All Rights Reserved. © and ™ designate U.S. trademarks of Mattel, Inc.

Free Manuals Download Website

<http://myh66.com>

<http://usermanuals.us>

<http://www.somanuals.com>

<http://www.4manuals.cc>

<http://www.manual-lib.com>

<http://www.404manual.com>

<http://www.luxmanual.com>

<http://aubethermostatmanual.com>

Golf course search by state

<http://golfingnear.com>

Email search by domain

<http://emailbydomain.com>

Auto manuals search

<http://auto.somanuals.com>

TV manuals search

<http://tv.somanuals.com>