



Consumer Information



WARNING

Prevent serious injury or death from falls or sliding out:

- Only use for a child capable of sitting upright unassisted.
- NEVER leave child unattended.

High Chair Use:

- ALWAYS secure child with restraint belts adjusted to fit your child snugly. The tray is not designed to hold child in the product.

When attached to adult chair:

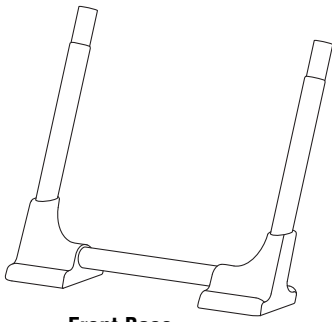
- Use restraint belts until child is able to get in and out of the product without help (about 2¹/₂ years old).
- NEVER use in motor vehicles.
- ALWAYS secure the product on a chair using bottom and back attachment straps. NEVER use on a stool or bench that does not have a seat back.

IMPORTANT! PLEASE KEEP THESE INSTRUCTIONS FOR FUTURE REFERENCE.

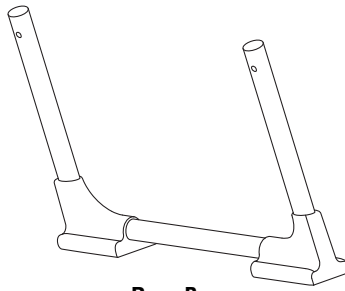
- Please read these instructions before assembly and use of this product.
- Adult assembly is required.
- Tool needed for assembly: Phillips screwdriver (not included).
- When using this product on an adult chair:
 - Make sure the chair seat is level and larger than the seat base.
 - DO NOT use on a folding chair.
 - Check to be sure the floor surface beneath the chair is level.
- Product features and decorations may vary from photographs.

Assembled Parts

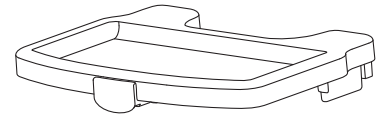
IMPORTANT! Please remove all parts from the package and identify them before assembly.



Front Base

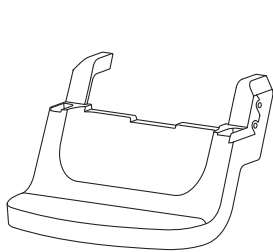


Rear Base

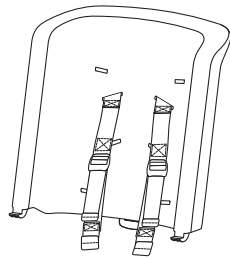


Tray

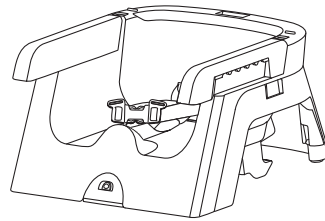
Hint: Do not remove the plastic inserts inside the tubes of the front base.



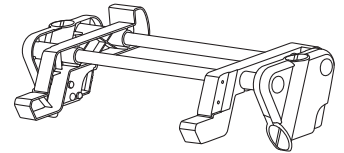
Footrest



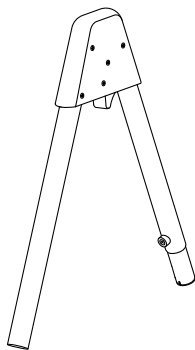
Seat Back with Restraint



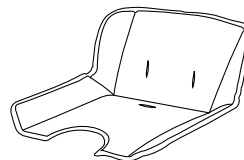
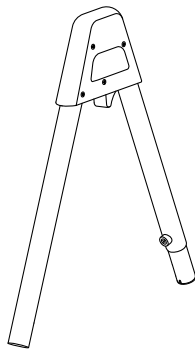
Seat with Restraint



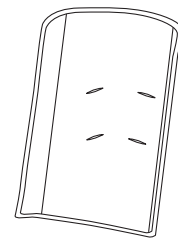
Seat Support



2 Frames



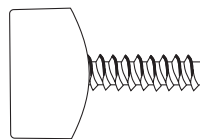
Seat Pad



Seat Back Pad

Hint: Do not remove the plastic insert inside the tube in each frame.

FASTENERS SHOWN ACTUAL SIZE



#8 x 3/4" Screw with Plastic Retainer – 4



#8 x 3/4" Screw – 4

Note: Tighten and loosen all screws with a Phillips screwdriver. Do not over-tighten the screws.

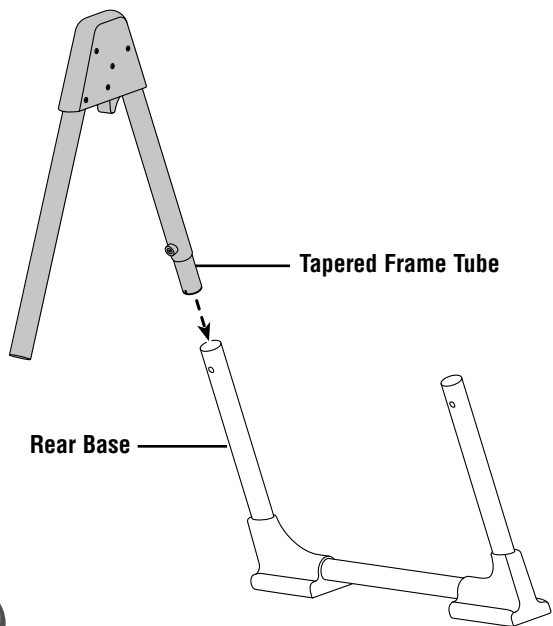
Assembly



CAUTION

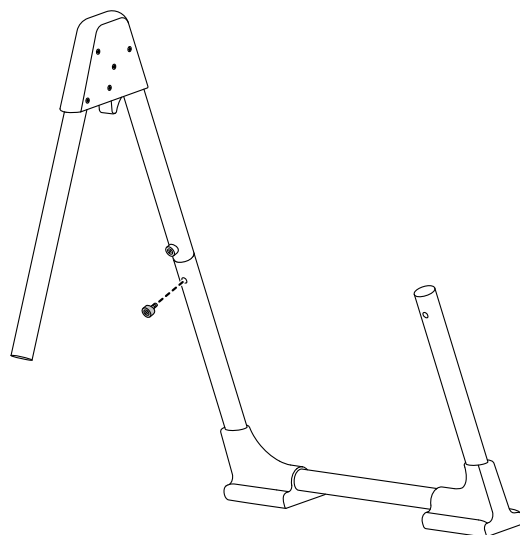
This package contains small parts in its unassembled state. Adult assembly is required.

IMPORTANT! Before assembly and each use, inspect this product for damaged hardware, loose joints, missing parts or sharp edges. DO NOT use if any parts are missing or broken. Contact Fisher-Price® for replacement parts and instructions if needed. Never substitute parts.



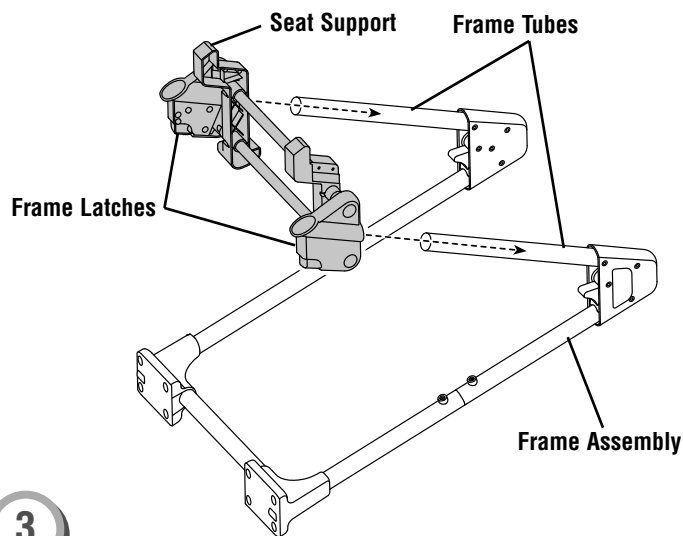
1

- With the Fisher-Price® logo facing out, fit the tapered frame tube into the rear base.



2

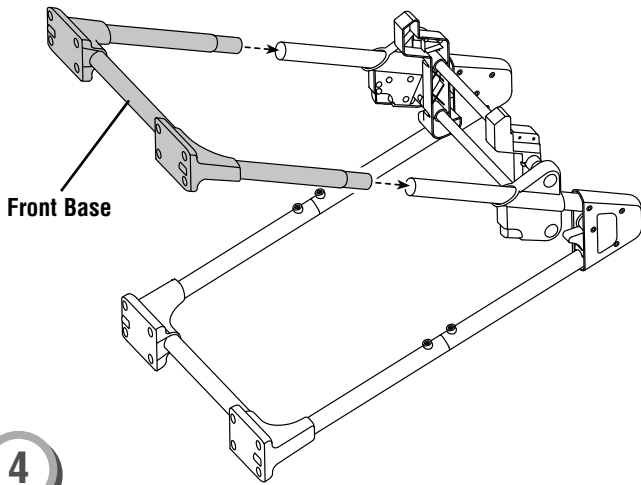
- Fit a #8 x 3/4" screw with retainer into the rear base and tighten.
- Repeat steps 1 and 2 to assemble the other frame to the rear base.



3

- Lay the frame assembly down with long frame tubes up.
 - Position the seat support with the frame latches down.
 - Slide the seat support onto the frame tubes.
- Hint:** Push the seat support all the way to the top of the assembly. You will hear several "clicks".

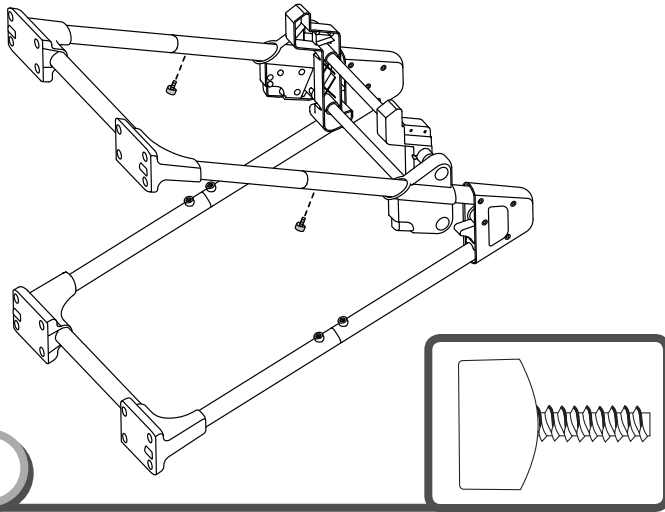
Assembly



Front Base

4

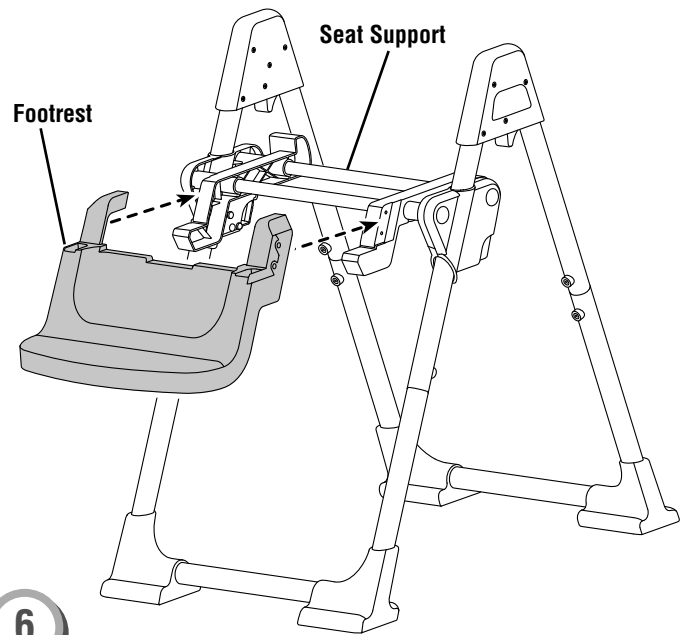
- Fit the front base into the frame tubes.



5

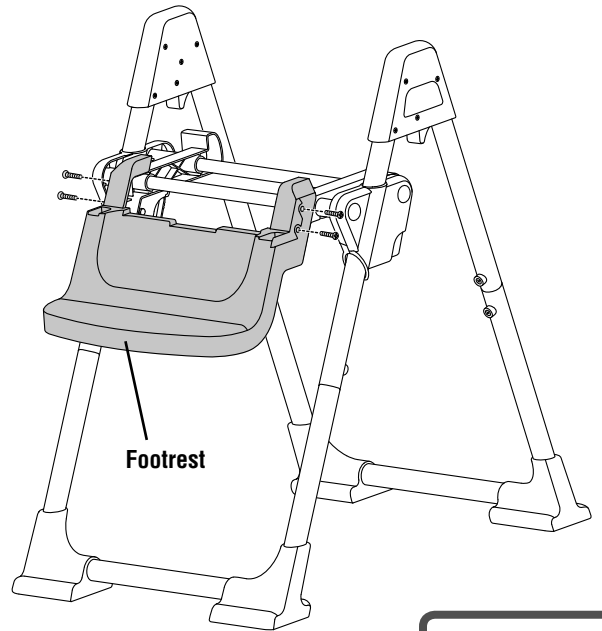
- Insert two #8 x 3/4" screws with retainers into the holes in each frame tube and tighten.

Hint: If you cannot insert the screws into the frame tubes, you have assembled the front base backwards. Remove it, turn it around and re-assemble it to the frame tubes.



6

- Lift the frame assembly upright.
- Fit the footrest onto the seat support, as shown.

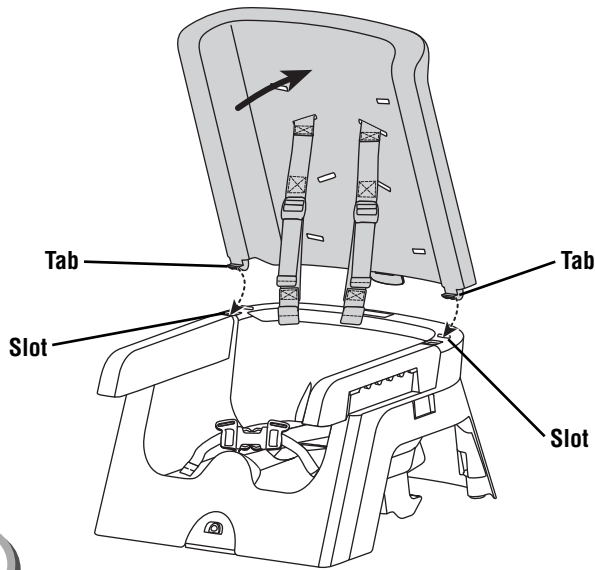


Footrest

7

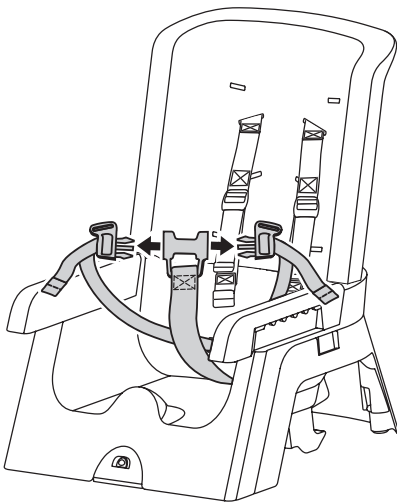
- Insert two #8 x 3/4" screws into the holes on each side of the footrest and tighten.

Assembly



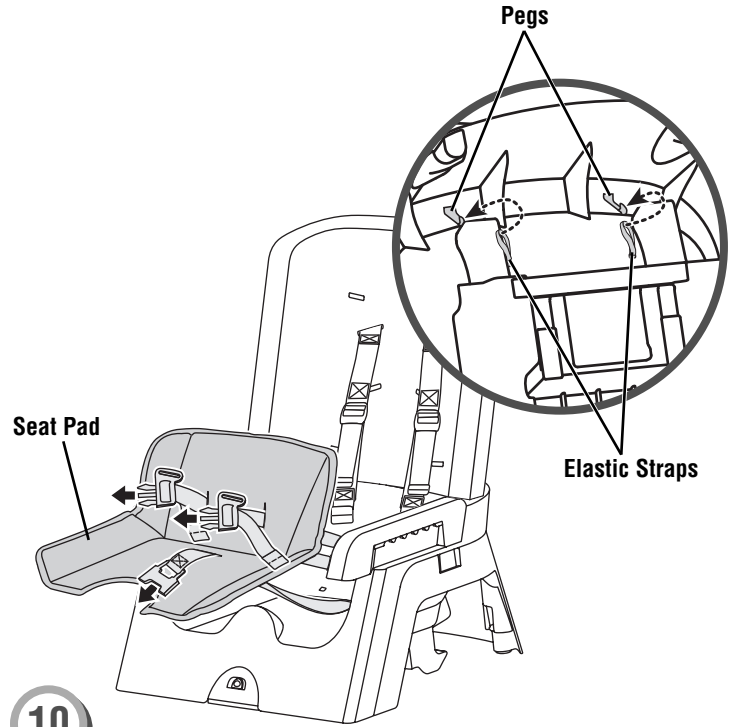
8

- At an angle, fit the tabs on the seat back into the slots in the seat.
- Push the seat back to “snap” in place.
- Pull on the seat back to be sure it is secure to the seat bottom.



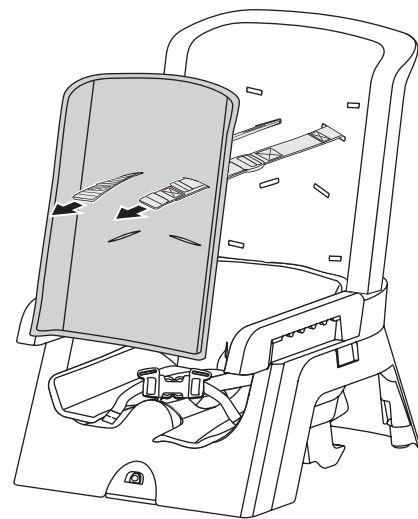
9

- Unbuckle the lower restraint.



10

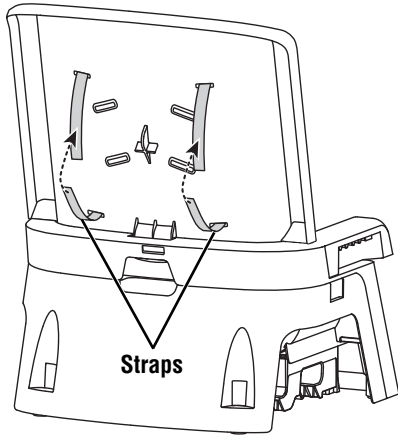
- Pull the waist restraint ends through the slots in the seat pad.
- Fit the elastic loops on the seat pad down through the slots in the seat.
- Turn the seat upside down.
- Pull the elastic straps through the slots in the seat and fit the elastic straps to the pegs.



11

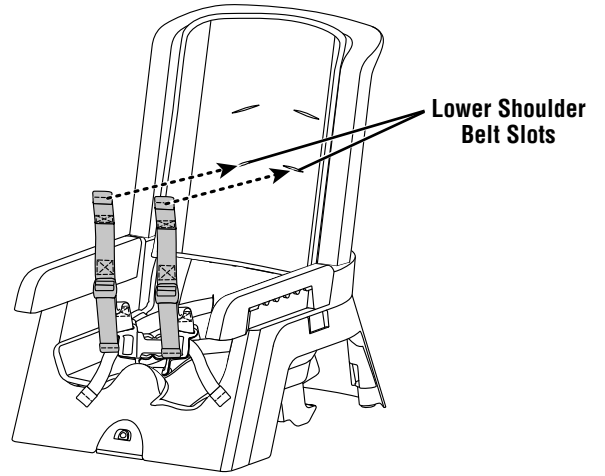
- Pull the shoulder restraint ends through the slots in the seat pad.
- Fit the straps on the back of the seat back pad into the slots in the seat back.

Assembly



12

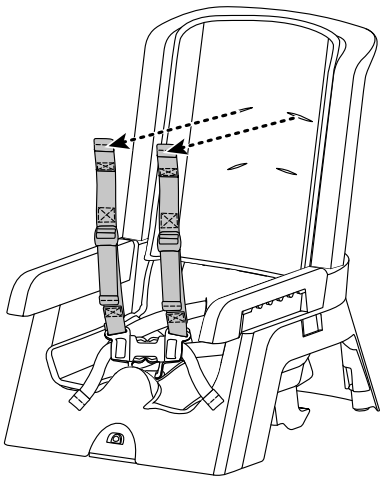
- Press to fasten the straps to secure the seat back pad.



14

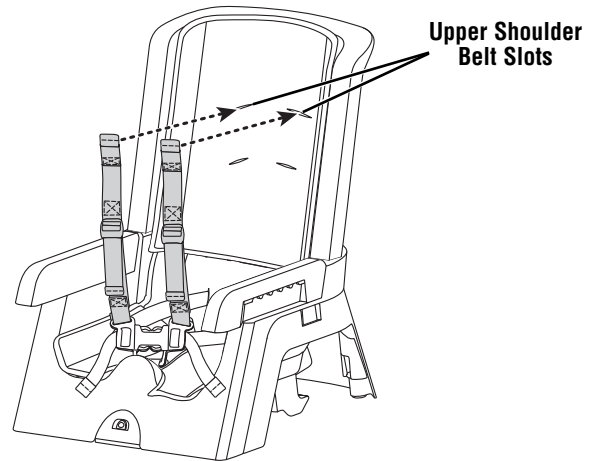
Smaller Baby

- Insert the ends of the shoulder belts through the lower slots in the pad and seat back.



13

- To adjust the restraint height for baby, push to remove the shoulder restraints from the seat back.

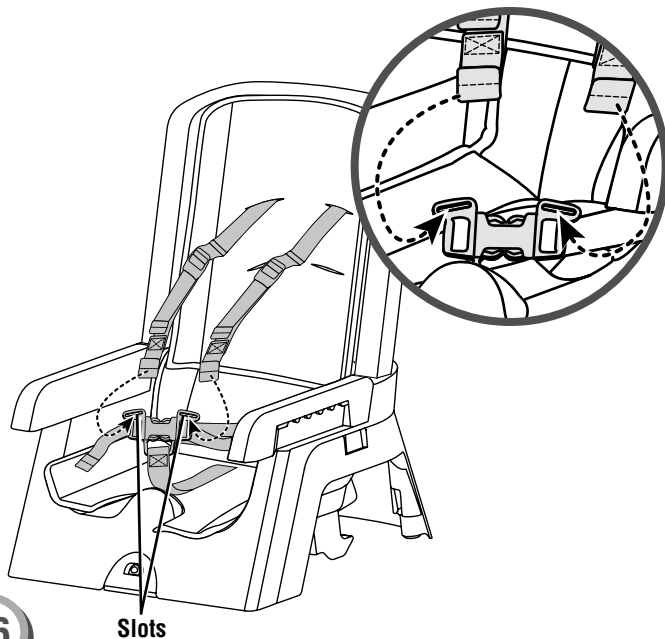


15

Larger Baby

- Insert the ends of the shoulder belts through the upper slots in the pad and seat back.

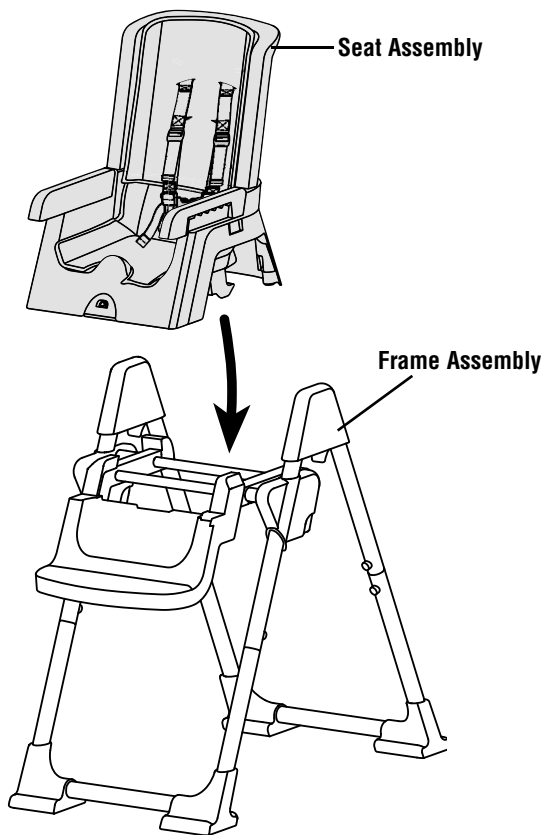
Assembly



16

Slots

- Fit the "T" end of each shoulder belt through the slots in the lower restraint.



17

- Place the seat assembly on the frame assembly and push to lock in place. You should hear a "click".

Note: The seat assembly will only fit on the frame assembly if the chair attachment strap door is closed. If the seat assembly does not lock onto the frame assembly, check to make sure the sliding door under the seat is **completely closed**.

Securing Your Child



WARNING

Prevent serious injury or death from falls or sliding out:

- Only use for a child capable of sitting upright unassisted.
- NEVER leave child unattended.

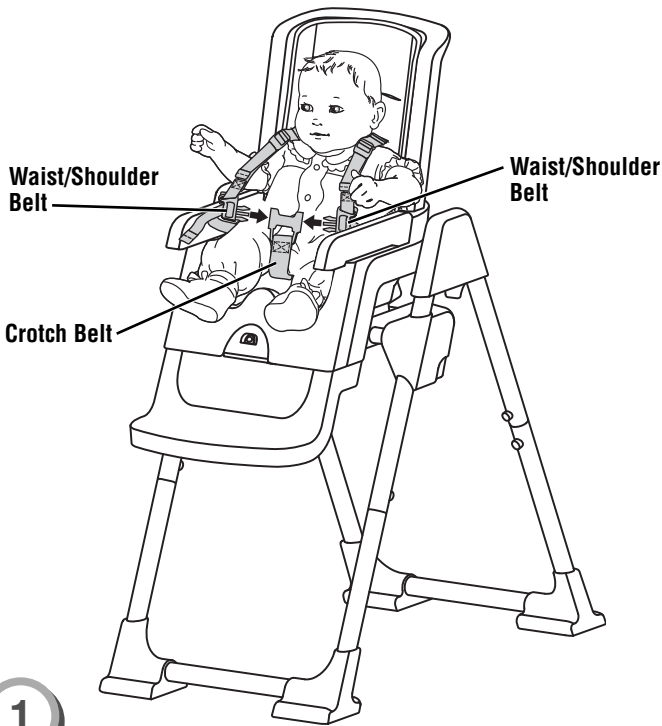
High Chair Use:

- ALWAYS secure child with restraint belts adjusted to fit your child snugly. The tray is not designed to hold child in the product.

When attached to adult chair:

- Use restraint belts until child is able to get in and out of the product without help (about 2¹/₂ years old).

Securing Your Child



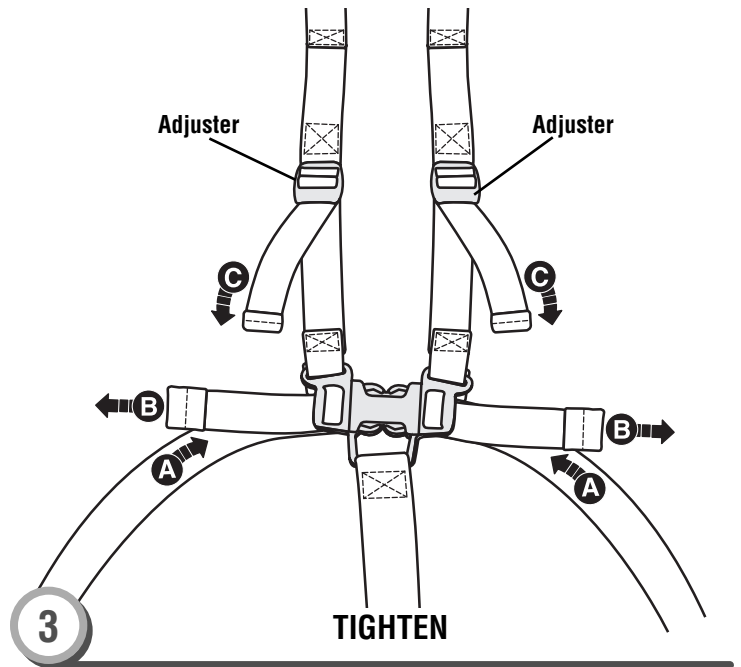
1

- Place your child in the seat. Position the crotch belt between your child's legs.
- Fasten both waist/shoulder belts to each side of the crotch belt. Make sure you hear a "click" on both sides.
- Check to be sure the restraint system is securely attached by pulling it away from your child. The restraint system should remain attached.



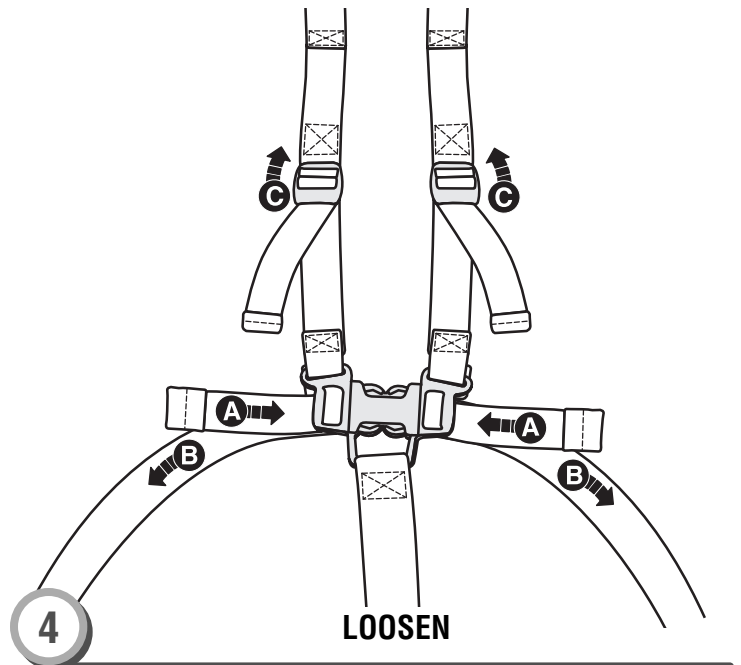
2

- Tighten each waist belt/shoulder belt so that the restraint system is snug against your child. Please refer to the next section for instructions to tighten the waist belts/shoulder belts.



3

- **To tighten the waist straps:** Feed the anchored end of the waist strap up through the buckle to form a loop **A**. Pull the free end of the waist strap **B**.
- **To tighten the shoulder straps:** Hold the adjuster and pull the shoulder strap down **C**.



4

- **To loosen the waist straps:** Feed the free end of the waist strap up through the buckle to form a loop **A**. Enlarge the loop by pulling on the end of the loop toward the buckle.
- Pull the anchored end of the waist strap to shorten the free end of the waist strap **B**.
- To loosen the shoulder straps: Lift the adjuster **C**.

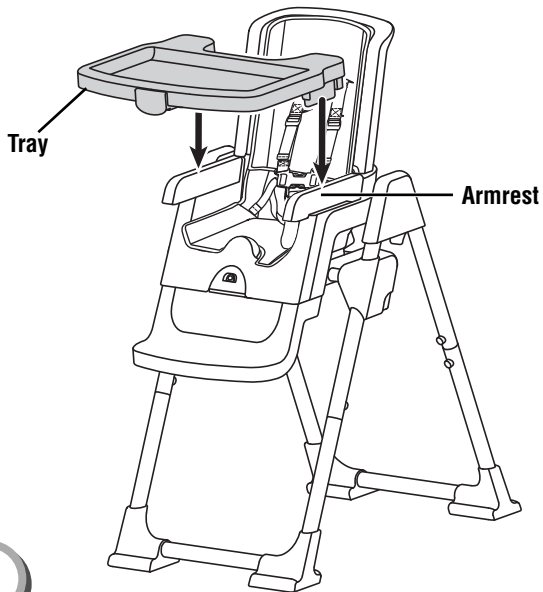
Note: After adjusting the restraint system to fit your child, make sure you pull on it to be sure it is securely fastened.

Using the Tray



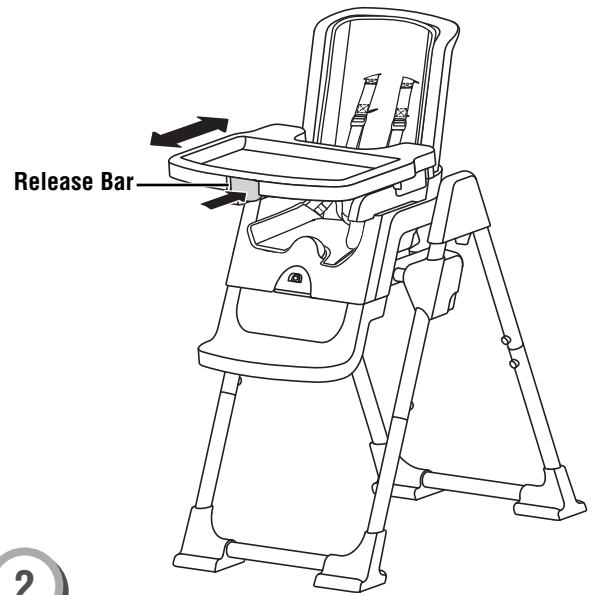
WARNING

Prevent serious injury or death from falls or sliding out: ALWAYS secure child with restraint belts adjusted to fit your child snugly. The tray is not designed to hold child in the product.

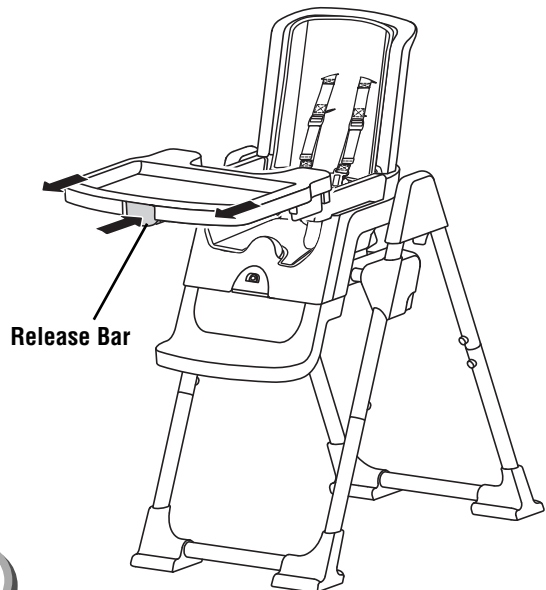


- Fit the tray onto the seat armrests. Push down until the tray "snaps" into place.

Hint: Before use, thoroughly wash all parts (the tray) that may contact food. The tray is not dishwasher or microwave safe.

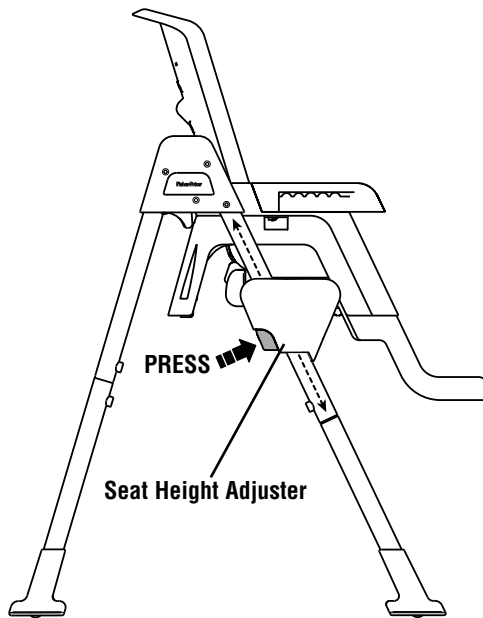


- While pushing the release bar on the front of the tray, adjust the tray forward or backward.



- While pushing the release bar on the front of the tray, pull the tray away from the armrests.

Adjusting the Seat



To adjust the seat height:

- Press the levers on both seat height adjusters and lift or lower the seat to any of five different heights.
- Make sure both sides of the seat are adjusted to the same height.
- Push the seat to be sure the seat is locked in place.

Attaching To An Adult Chair

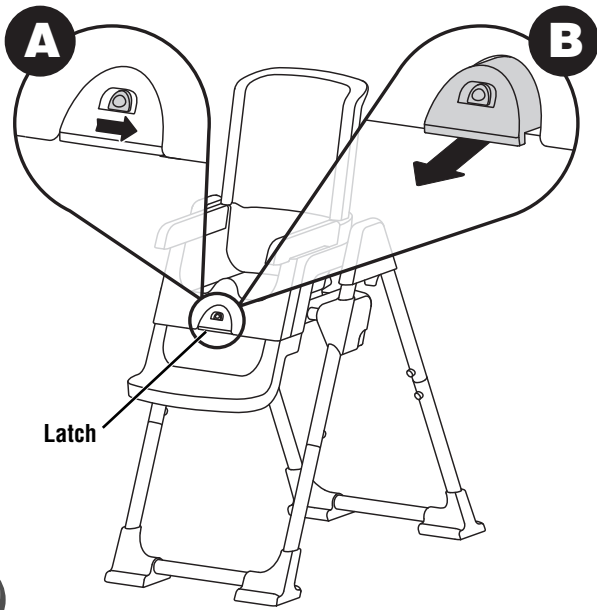


WARNING

Prevent serious injury or death from falls or sliding out:

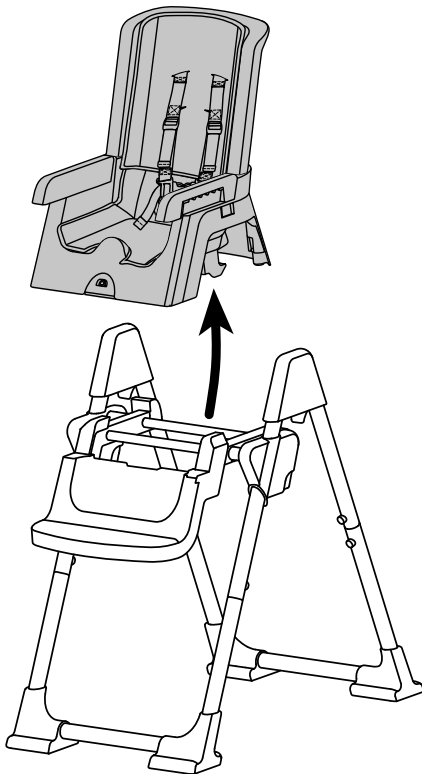
- Only use for a child capable of sitting upright unassisted.
- NEVER leave child unattended.
- Use restraint belts until child is able to get in and out of the product without help (about 2¹/₂ years old).
- NEVER use in motor vehicles.
- ALWAYS secure the product on a chair using bottom and back attachment straps. NEVER use on a stool or bench that does not have a seat back.

Attaching To An Adult Chair



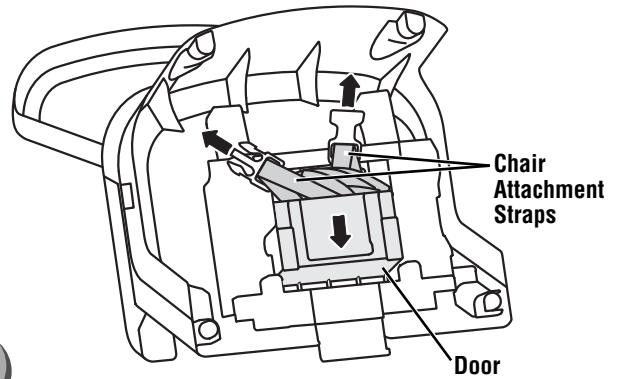
1

- While sliding the switch **A** pull the latch towards you **B**.



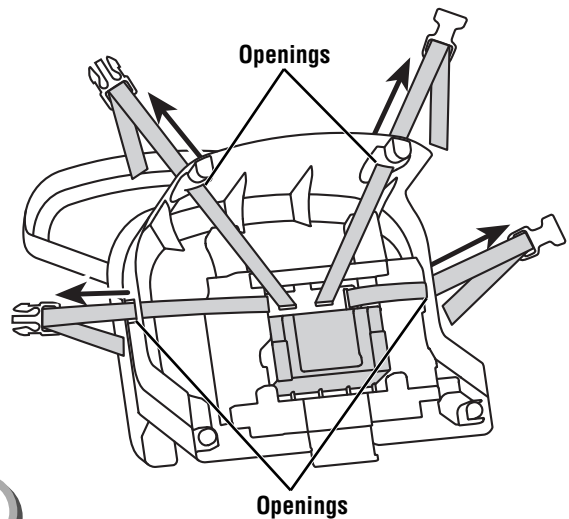
2

- Lift the seat off the base.



3

- Turn the seat over.
- Slide the door open and pull out the chair attachment straps.

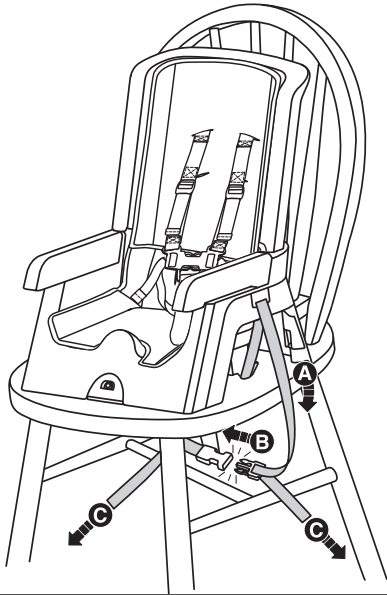


4

- Match the buckle on each strap to the matching buckle icon near each slot in the seat. Feed each strap through the matching slot on the seat.

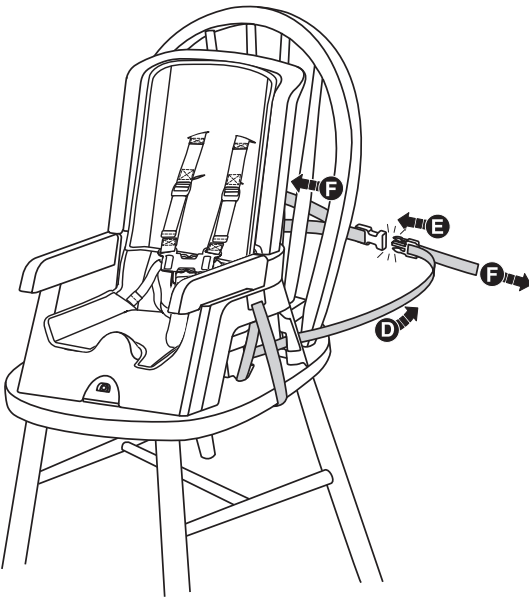
Attaching To An Adult Chair

5



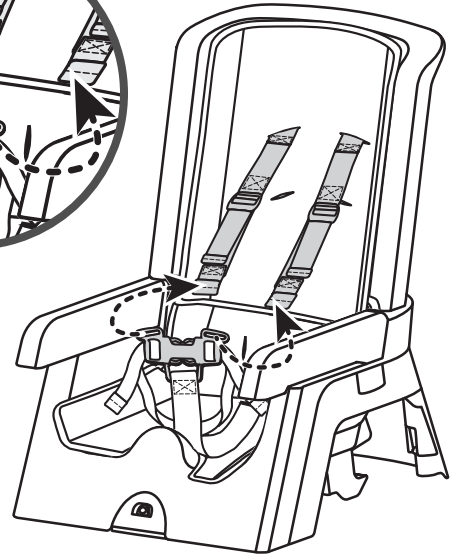
- Turn the seat over and place the seat on a chair.
- Wrap the bottom straps around the bottom of the chair **A**. Buckle the straps **B**. Make sure you hear a "click". Pull the free end of each strap to tighten on the chair **C**.

6



- Wrap the back straps around the back of the chair **D**. Buckle the straps **E**. Make sure you hear a "click". Pull the free end of each strap to tighten on the chair **F**.
- Pull up on the seat to be sure it is secure to the chair.

Remove the Seat Back and Shoulder Straps

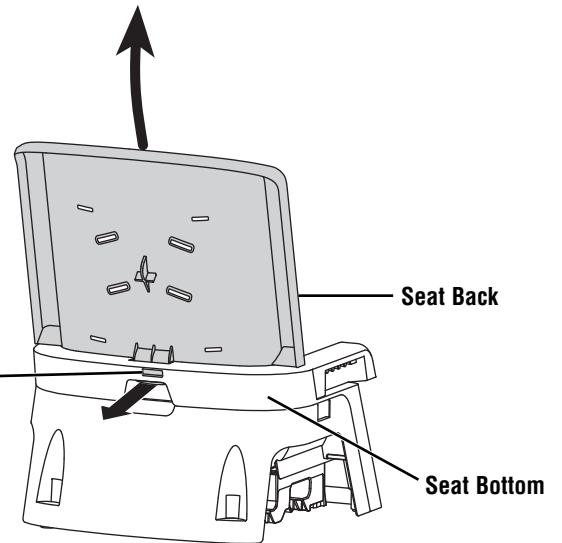


1

- Pull the shoulder belts out of the waist restraint buckle slots.

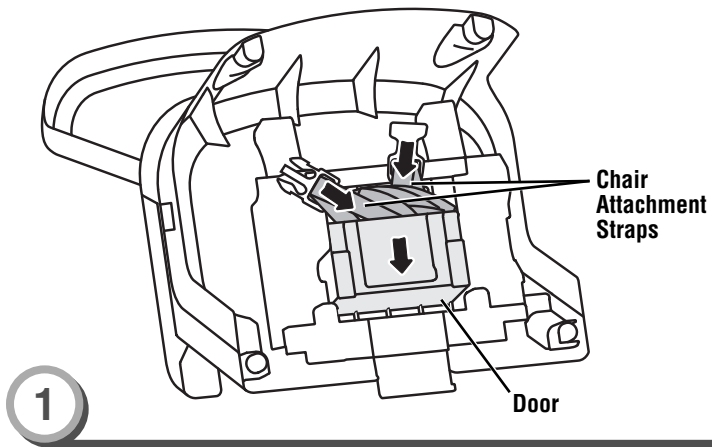
Tab

2

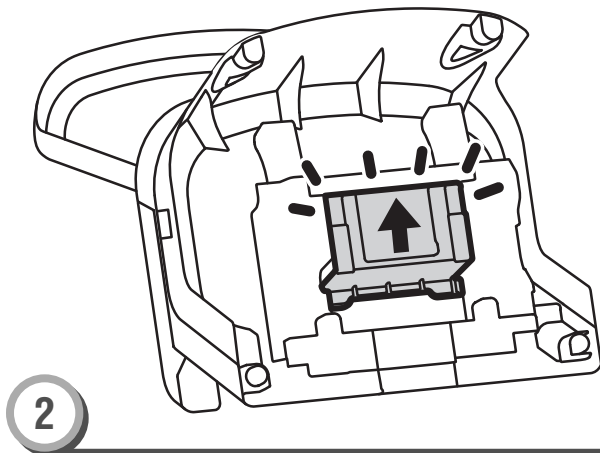


- Pull the tab on the seat back. Lift to remove the seat back from the seat.
- Store the seat back, seat back pad and shoulder belts in a safe place for future use.

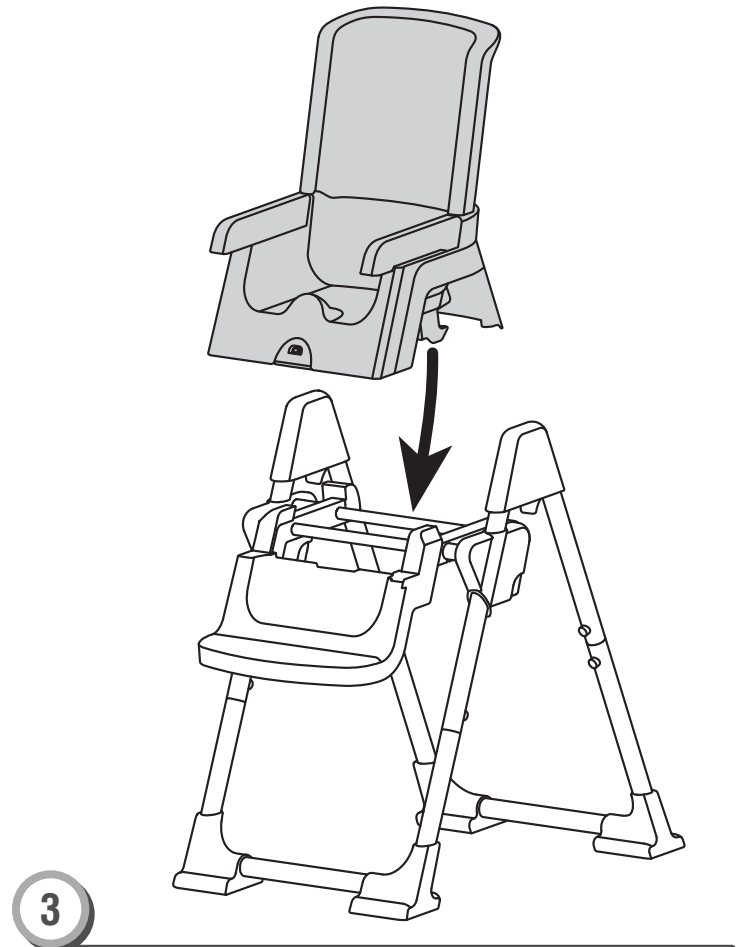
Attaching the Seat To the Frame



- Turn the seat over and open the door. Carefully fit the chair attachment straps into the compartment.

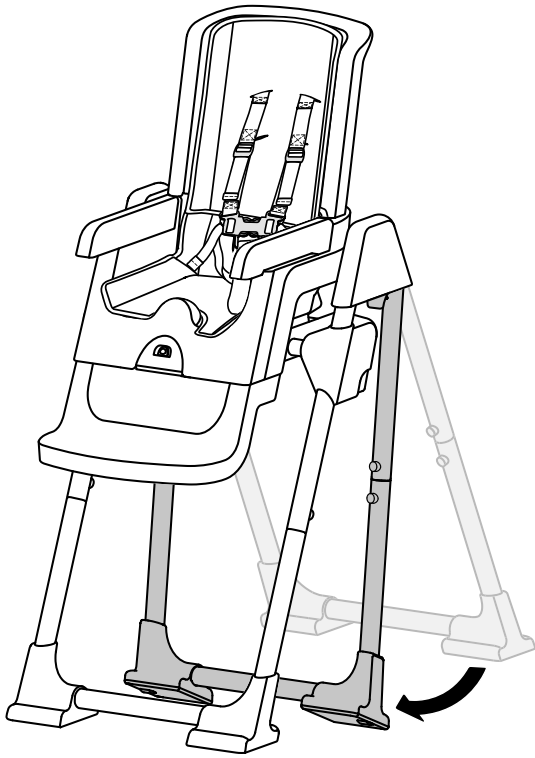


IMPORTANT! Close the door completely. If you do not close the door, the seat will not fit on the high chair base.



- Fit the seat onto the high chair frame. Push to "**snap**" into place. Pull up on the seat to be sure it is secure to the high chair frame.

Storage



-
- Pull the frame release latches forward and push the rear legs toward the front legs.

Care

- The bib, toy, tray, pad, seat, seat back and restraint straps may be wiped clean using a mild cleaning solution and damp cloth. Do not use bleach. Do not use harsh or abrasive cleansers. Rinse clean with water to remove residue.

To remove the pad:

- Push to remove the shoulder belts, waist belts and crotch belt from the seat and pads.
- Unfasten the straps on the seat back.
- Remove the pads from the seat.
- To replace the pad and restraint straps, refer to the assembly instructions in this manual.

IMPORTANT! Be sure to replace the restraint system. Never use this product without the restraint system when used as a high chair or when attached to an adult chair (until your child cannot get in and out of the product without help).



? **CONSUMER ASSISTANCE**
Call toll free: 1-800-432-5437 (US & Canada only)
M-F 9AM to 7PM / SAT 11AM to 5PM (EST)

service.fisher-price.com

Write to us at: Fisher-Price® Consumer Relations,
636 Girard Avenue, East Aurora, New York 14052.

Hearing-impaired consumers using TTY/TDD equipment,
please call 1-800-382-7470.

In Mexico: 59-05-51-00 Ext. 5206 or 01-800-46359-89
In Brazil: 0800 550780

CANADA

Mattel Canada Inc., 6155 Freemont Blvd., Mississauga, Ontario L5R 3W2.

Fisher-Price, Inc., a subsidiary of Mattel, Inc., East Aurora, New York 14052, U.S.A.
©2009 Mattel, Inc. All Rights Reserved. ® and ™ designate U.S. trademarks of Mattel, Inc.

Free Manuals Download Website

<http://myh66.com>

<http://usermanuals.us>

<http://www.somanuals.com>

<http://www.4manuals.cc>

<http://www.manual-lib.com>

<http://www.404manual.com>

<http://www.luxmanual.com>

<http://aubethermostatmanual.com>

Golf course search by state

<http://golfingnear.com>

Email search by domain

<http://emailbydomain.com>

Auto manuals search

<http://auto.somanuals.com>

TV manuals search

<http://tv.somanuals.com>