



Swing



High Chair

Consumer Information

Swing

- Weight limit: 25 lbs (11,3 kg).
- If your child weighs less than 25 lbs (11,3 kg), but is really active and appears to be able to climb out of the swing, immediately discontinue its use.



WARNING

To prevent injury or death from falls and being strangled in the restraint system:

- Always use the restraint system. Never use the tray to restrain child.
- Never use with an active child who may be able to climb out of the swing.
- Never leave child unattended.
- Never convert to high chair with child in product.

High Chair

- Weight limit: 50 lbs (22,6 kg).



WARNING

Prevent serious injury or death from falls or sliding out.

- The child should be secured in the high chair at all times by the restraint system, either in the reclining or upright position. The restraint belts must be adjusted to fit your child snugly. The tray is not designed to hold the child in the chair.
- Only use as a high chair when child is capable of sitting up unassisted.
- Never leave child unattended.
- Never convert to swing with child in product.

Consumer Information



CAUTION

This package contains small parts in its unassembled state. For adult assembly only.

- **IMPORTANT! Please keep these instructions for future reference.**
- Please read these instructions before assembly and use of this product.
- Adult assembly is required.
- Tools required for assembly: Phillips screwdriver (not included) and Allen wrench (included).
- Requires four "D" (LR20) **alkaline** batteries for swing operation, sounds and music. Batteries not included.
- Product features and decoration may vary from photographs.

FCC Statement (United States Only)

This equipment has been tested and found to comply with the limits for a Class B digital device, pursuant to Part 15 of the FCC Rules. These limits are designed to provide reasonable protection against harmful interference in a residential installation. This equipment generates, uses and can radiate radio frequency energy and, if not installed and used in accordance with the instructions, may cause harmful interference to radio communications. However, there is no guarantee that interference will not occur in a particular installation. If this equipment does cause harmful interference to radio or television reception, which can be determined by turning the equipment off and on, the user is encouraged to try to correct the interference by one or more of the following measures:

- Reorient or relocate the receiving antenna.
- Increase the separation between the equipment and receiver.
- Consult the dealer or an experienced radio/TV technician for help.

Note: Changes or modifications not expressly approved by the manufacturer responsible for compliance could void the user's authority to operate the equipment.

This device complies with Part 15 of the FCC Rules. Operation is subject to the following two conditions: (1) this device may not cause harmful interference and (2) this device must accept any interference received, including interference that may cause undesired operation.

ICES-003

This Class B digital apparatus complies with Canadian ICES-003. Operation is subject to the following two conditions: (1) this device may not cause harmful interference and (2) this device must accept any interference received, including interference that may cause undesired operation.

NMB-003

Cet appareil numérique de la classe B est conforme à la norme NMB-003 du Canada. L'utilisation de ce dispositif est autorisée seulement aux conditions suivantes : (1) il ne doit pas produire de brouillage et (2) l'utilisateur du dispositif doit être prêt à accepter tout brouillage radioélectrique reçu, même si ce brouillage est susceptible de compromettre le fonctionnement du dispositif.

Parts

IMPORTANT! Please remove all parts from the package and identify them before assembly. Some parts may be packed in the pad.



Frame



2 Feet
(Left and Right)



2 Upper Frame Tubes
(Left and Right)



2 Seat Tubes
(Left and Right)



Seat Bottom



Seat Back



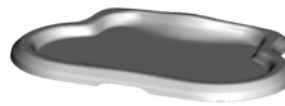
Pad



Hinge Rod



Tray

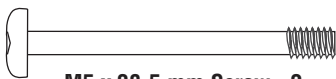


Tray Insert



Allen Wrench

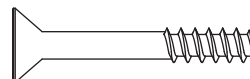
Note: Tighten or loosen all screws with the Allen wrench or a Phillips screwdriver. Do not over-tighten.



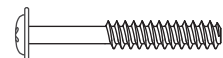
M5 x 38.5 mm Screw - 2



M4.5 x 12 mm Screw - 3



M5 x 32 mm Screw - 2

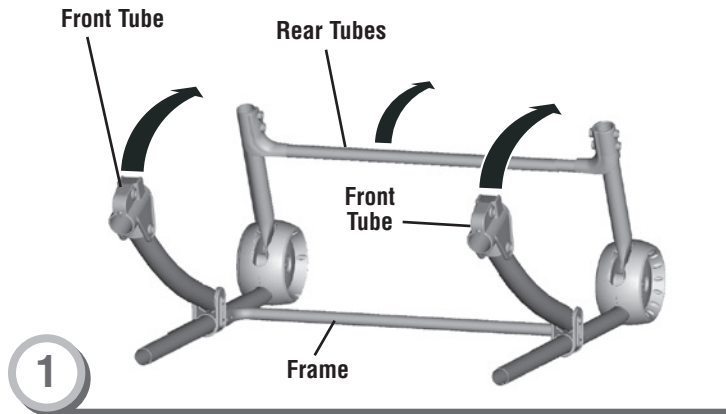


M3.5 x 25 mm Washer Head Screw - 2

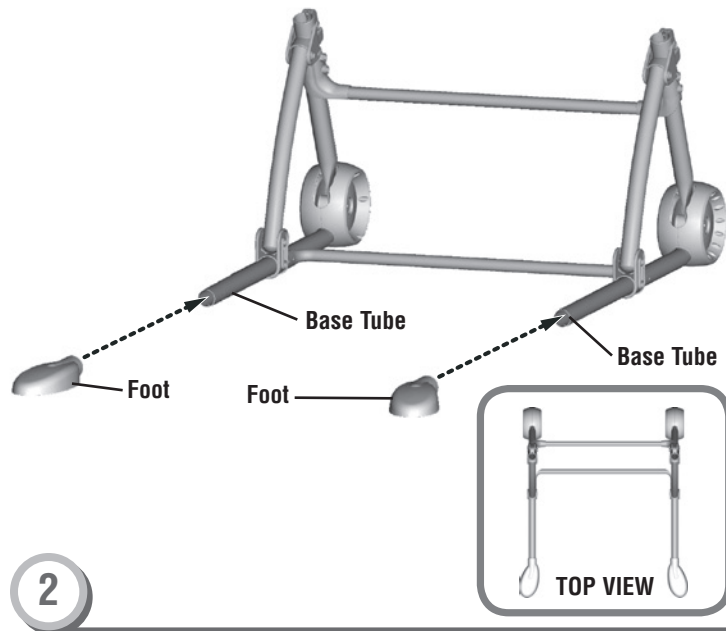
All Shown Actual Size

Assembly

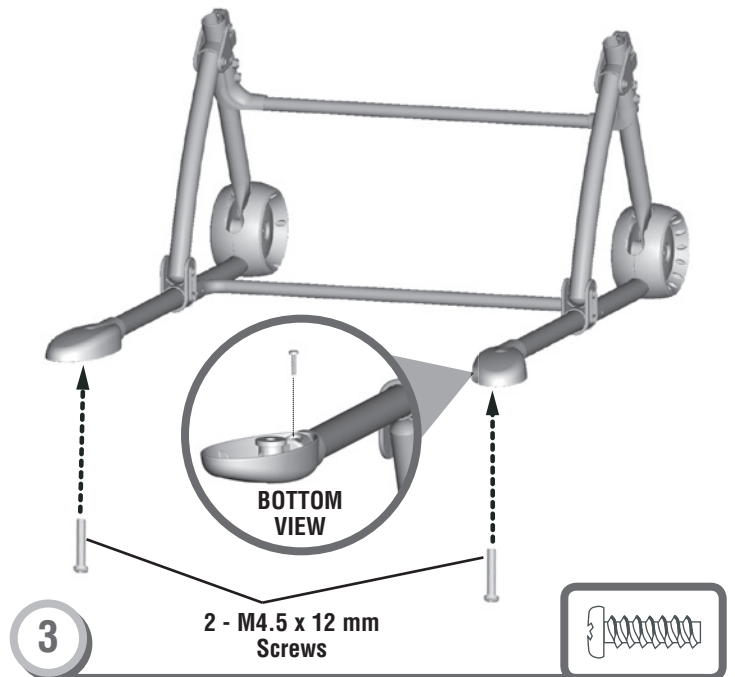
IMPORTANT! Before assembly and each use, inspect this product for damaged hardware, loose joints, missing parts or sharp edges. DO NOT use if any parts are missing or broken. Contact Fisher-Price® for replacement parts and instructions if needed. Never substitute parts.



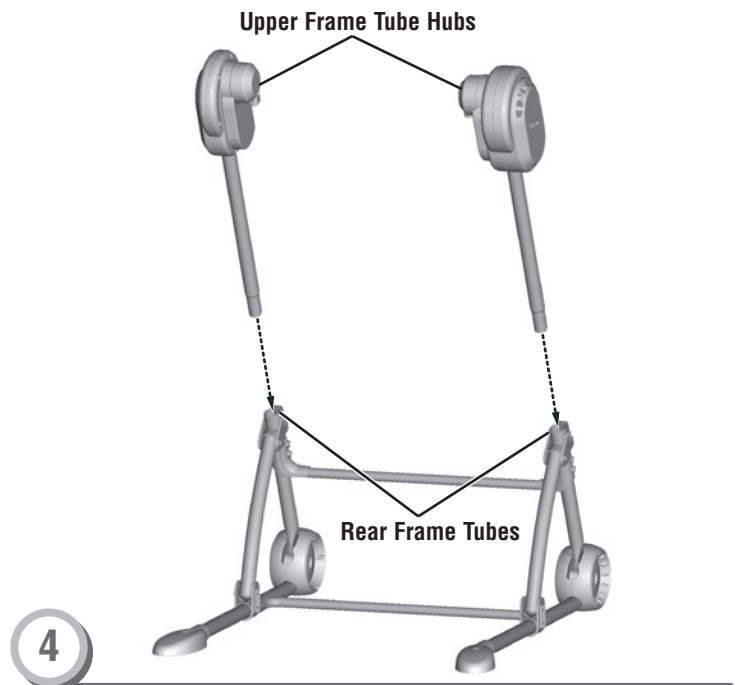
- 1
- Lift the rear and front tubes to open the frame.



- 2
- Fit a foot onto the end of each base tube, as shown.
Hint: Make sure the feet curve outward.

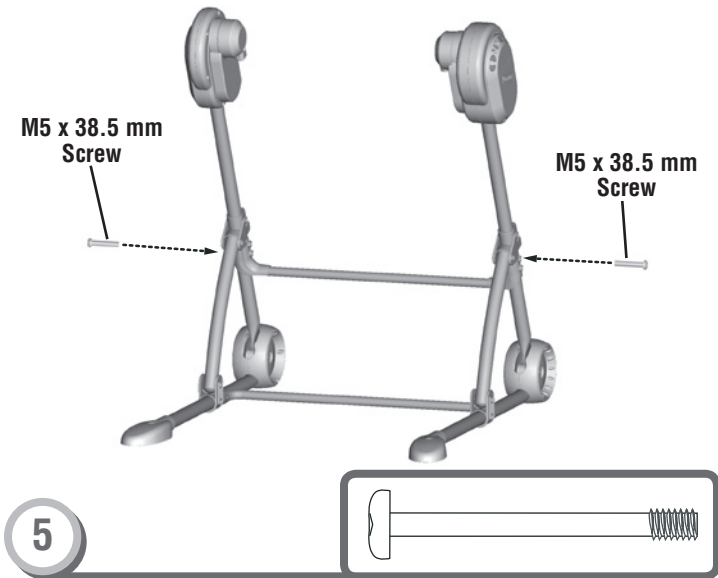


- 3
- Insert an M4.5 x 12 mm screw into the hole in the underside of each foot and tighten with a Phillips screwdriver.

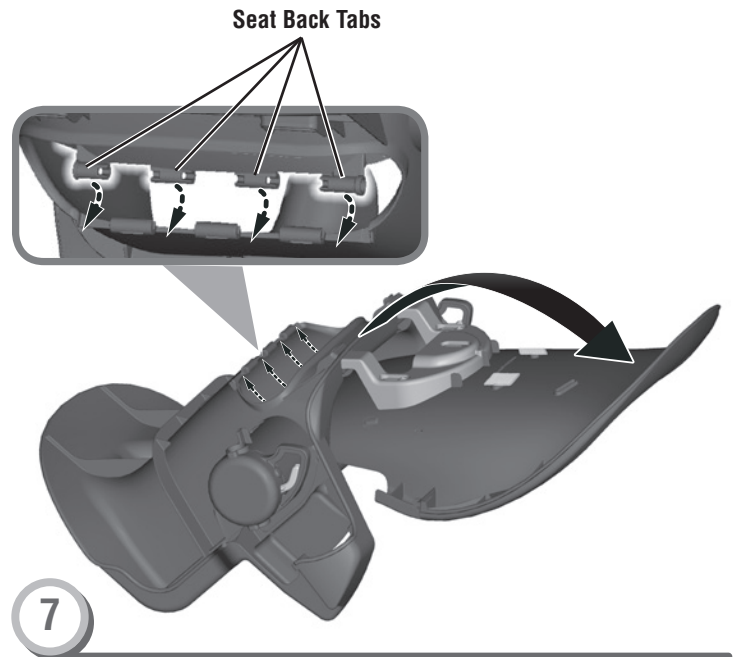


- 4
- Position the upper frame tubes so that the hubs face each other.
 - Fit the upper frame tubes into the rear frame tubes.
Hint: The upper frame tubes are designed to fit one way. If they do not seem to fit, turn them around and try again.

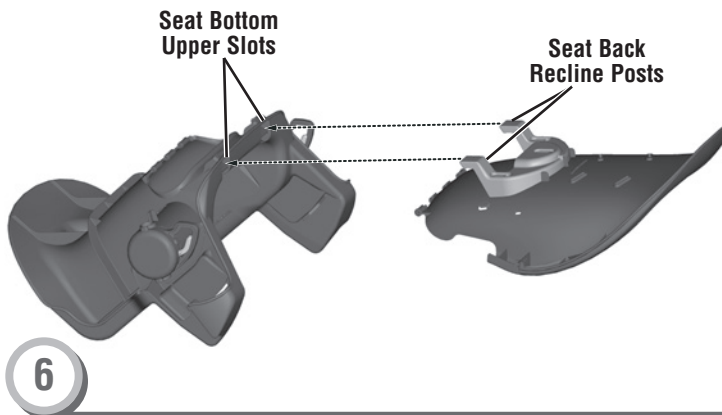
Assembly



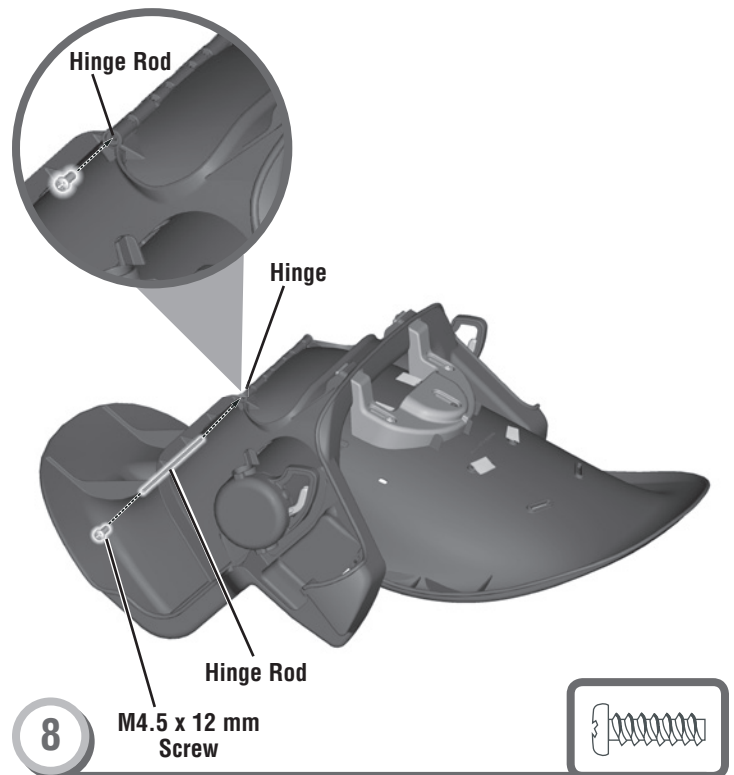
- Insert an M5 x 38.5 mm screw into each side of the frame. **Fully tighten the screws with the Allen wrench.**



- Push the seat back down to fit the tabs on the edge of the seat back to the tabs on the seat bottom.

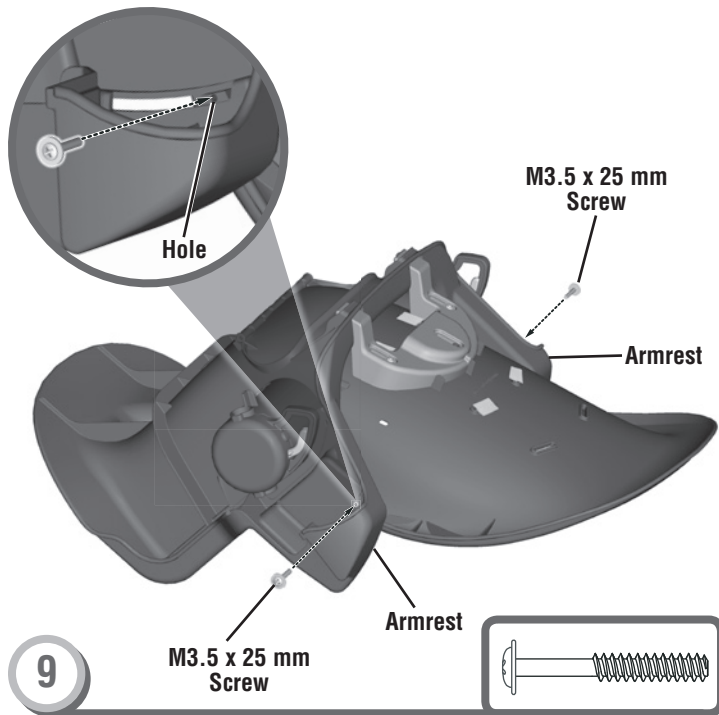


- Position the seat bottom face down on a flat surface.
- With the seat back also face down, fit the recline posts into the upper slots in the seat bottom.

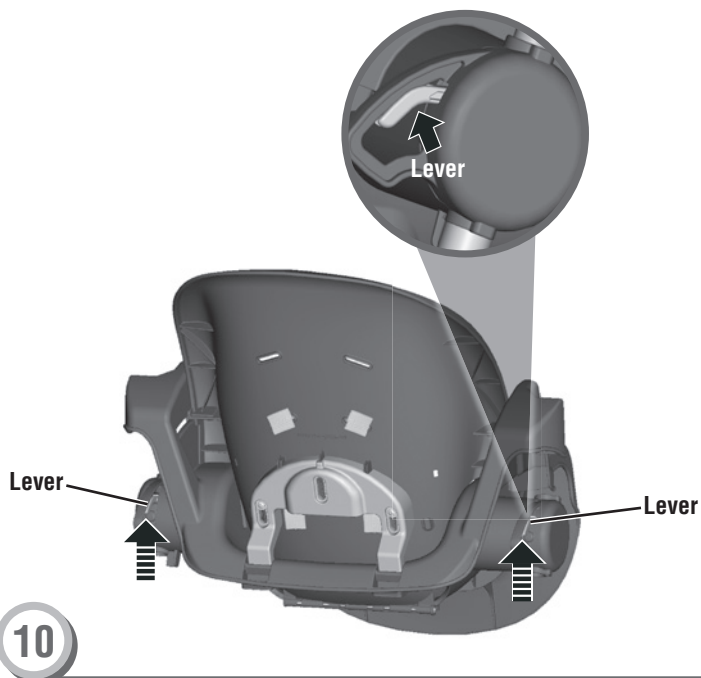


- Insert the hinge rod through the hinge on the seat bottom.
- Insert an M4.5 x 12 mm screw into the hinge rod. Tighten the screw with a Phillips screwdriver.

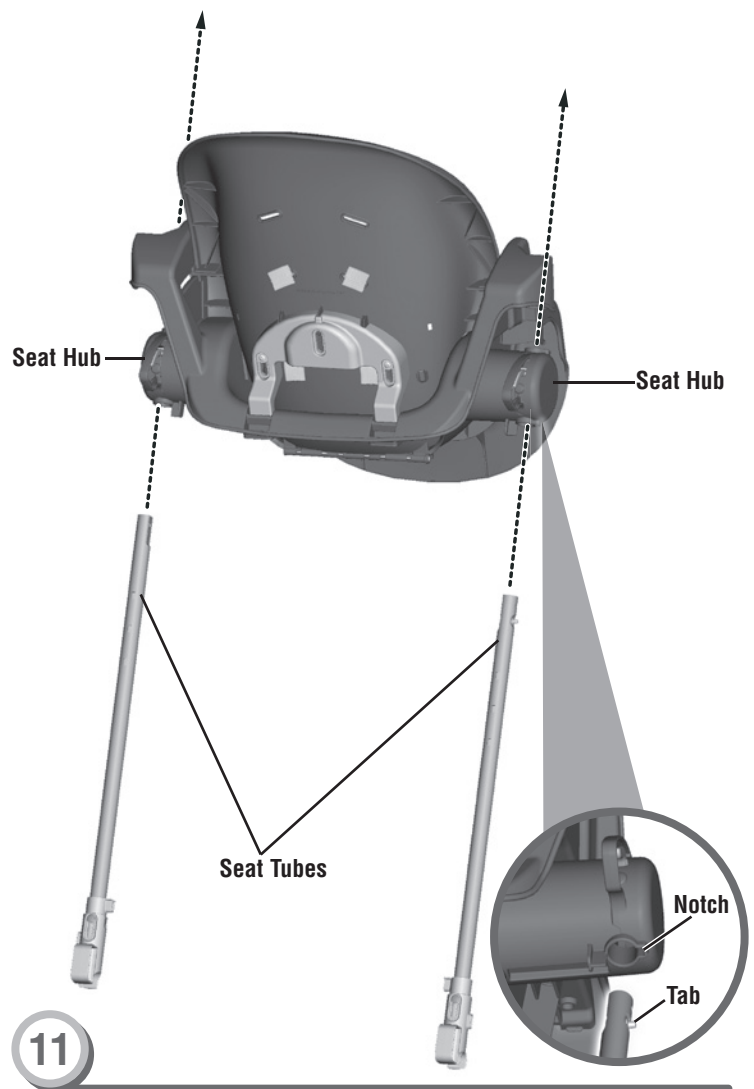
Assembly



- Insert an M3.5 x 25 mm washer head screw into the hole under each armrest. Tighten the screws with a Phillips screwdriver.

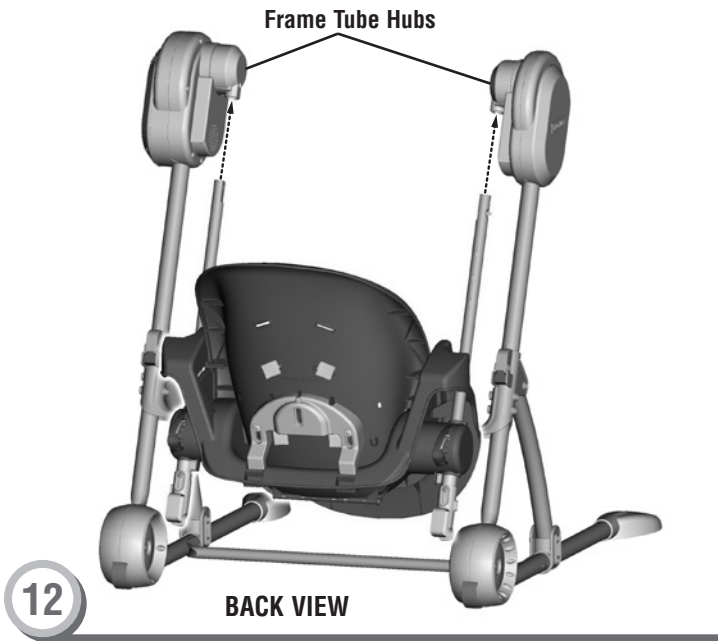


- Press the seat height adjustment levers on each side of the seat.



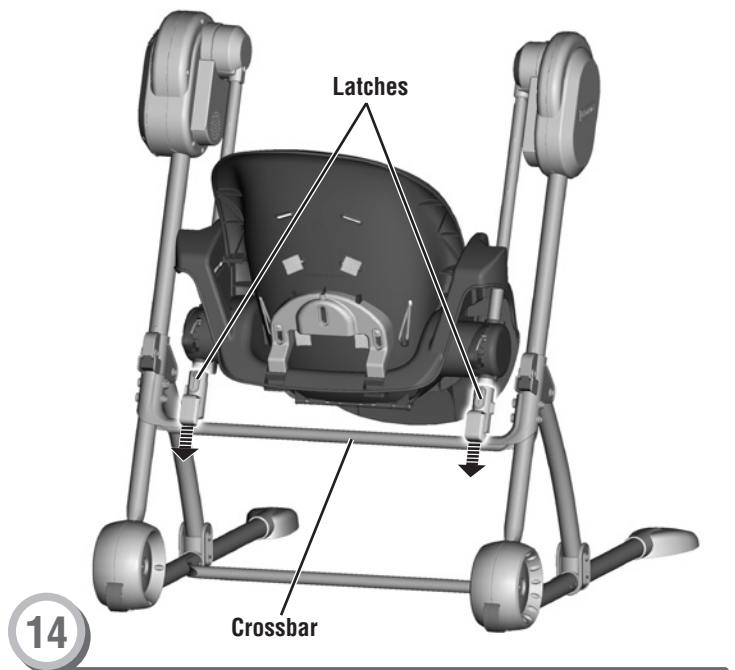
- While continuing to press the seat height adjustment levers, slide a seat tube up through the socket in each seat hub.
Hint: One of the seat tubes includes a tab. Match this seat tube with the socket that has a notch.

Assembly

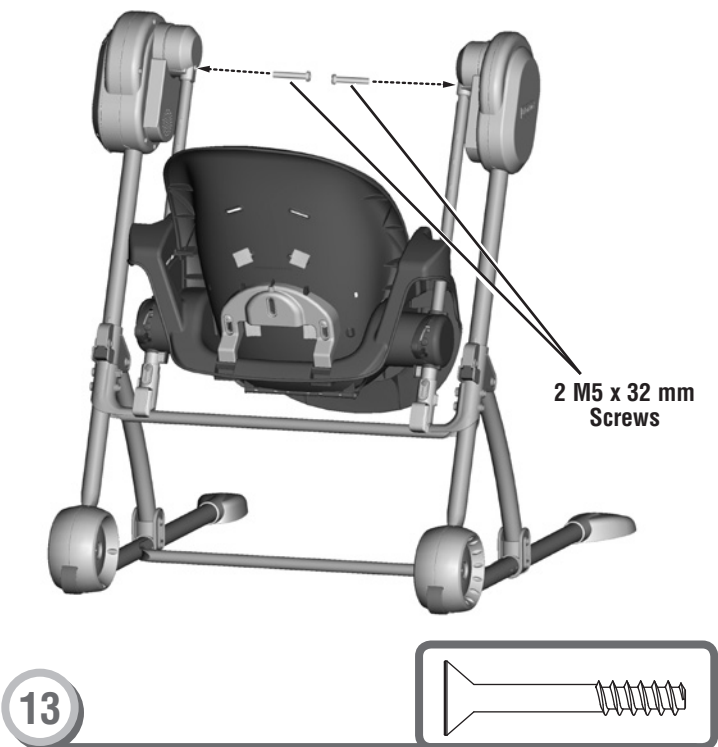


- Fit the ends of the seat tubes up into the holes in each frame tube hub.

Hint: You may need the help of another adult to hold the seat assembly in place.

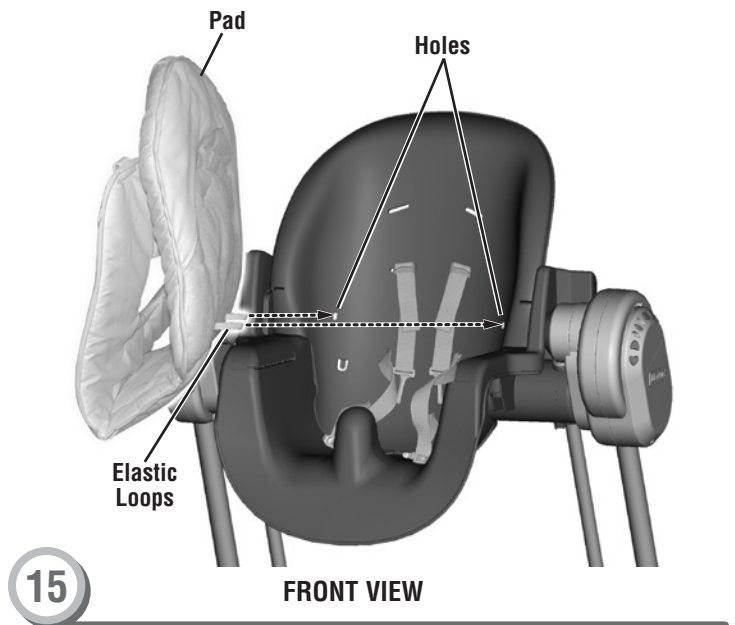


- First lift, and then lower the latches onto the crossbar.



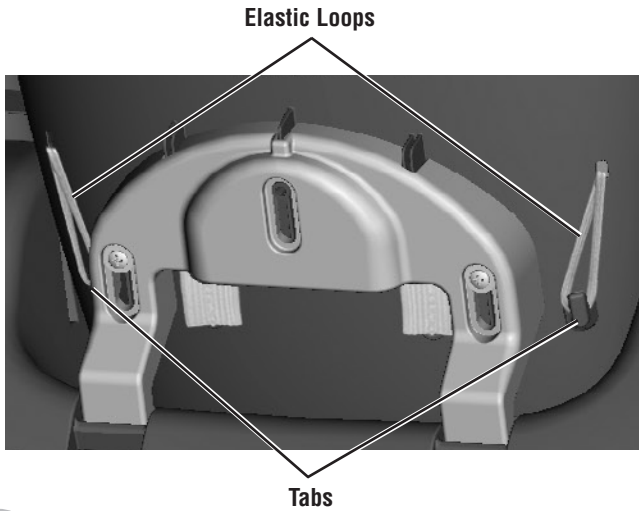
Note: Do not attach the seat tubes to the frame crossbar in this assembly step.

- While holding the seat assembly in place, insert an M5 x 32 mm screw into the hole in each frame tube hub. Tighten the screws with the Allen wrench.



- Insert both elastic loops on the pad through the holes in the seat back.

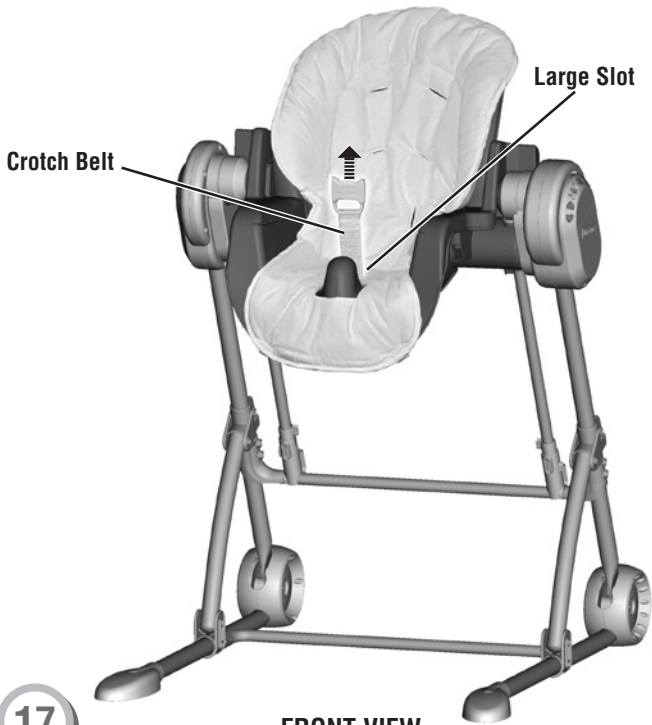
Assembly



16

BACK VIEW

- From the back of the seat, hook the elastic loops to the tabs on the seat back.



17

FRONT VIEW

- From the front of the seat, insert the crotch belt up through the large slot in the pad. Make sure the crotch belt is not twisted.



18

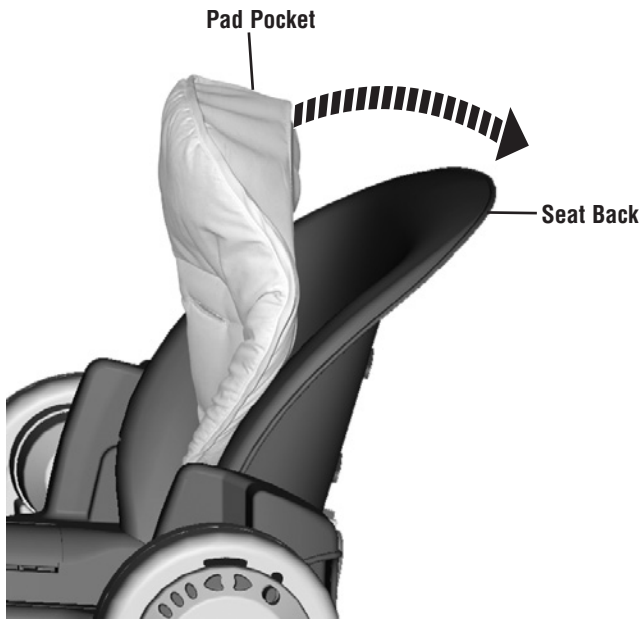
- Insert the waist belts through the lowest slots in the seat pad.



19

- Insert the shoulder belts through the slots in the pad.
Hint: The shoulder belts are assembled to the seat back in the lower shoulder belt slots. If you would like to change to the upper slots, go to page 12, Changing Shoulder Belt Slots.

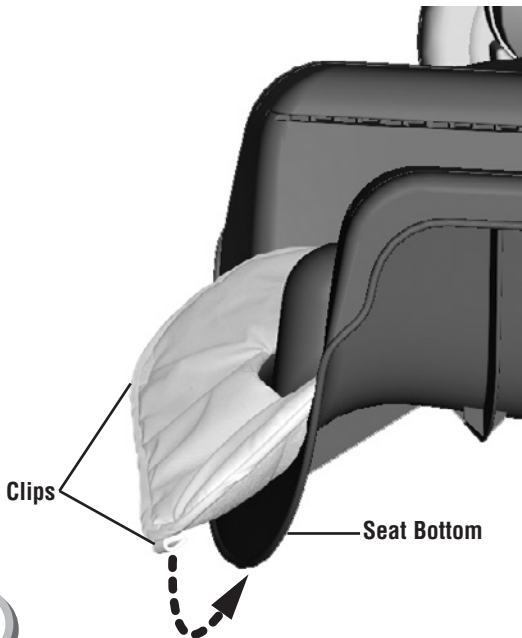
Assembly



20

SIDE VIEW

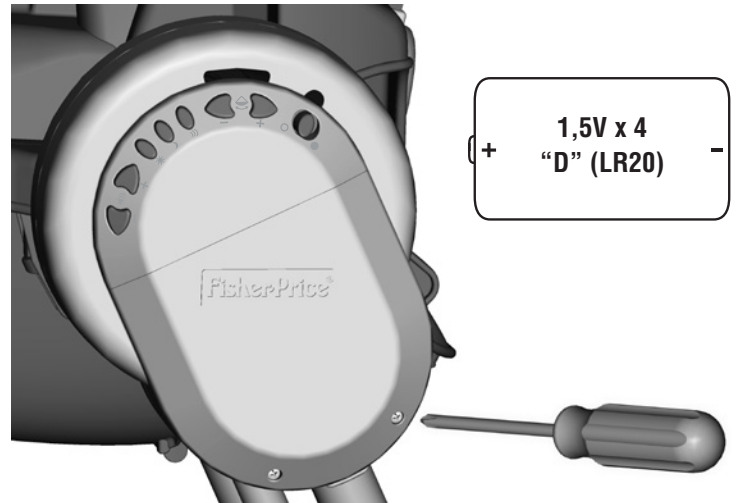
- Fit the pocket at the top of the pad over the seat back.




21

- Fit both clips on the bottom edge of the pad around the edge of the seat bottom.

Battery Installation



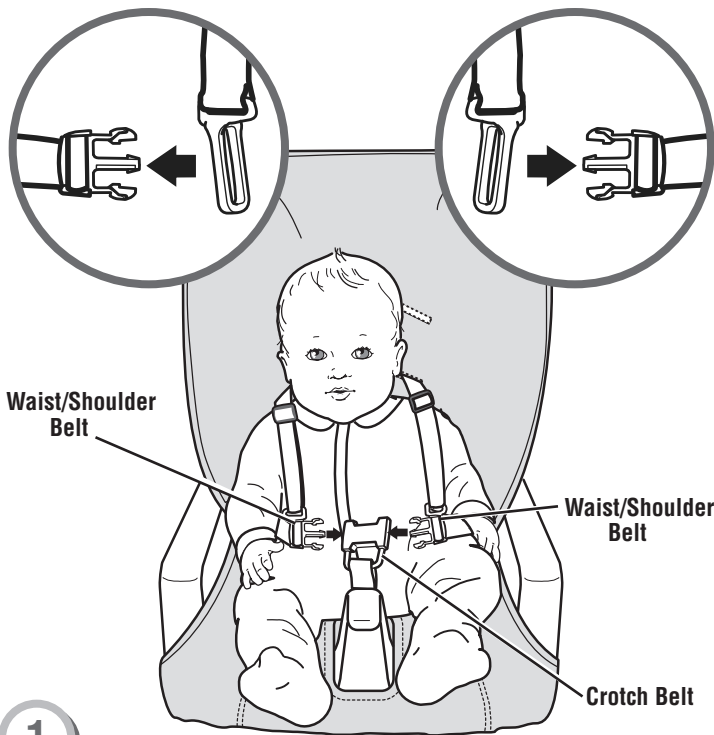
- Locate the battery compartment door on the frame.
 - Loosen the screws in the battery compartment door with a Phillips screwdriver.
 - Insert four "D" (LR20) **alkaline** batteries.
- Hint: We recommend using **alkaline** batteries for longer battery life.*
- Replace the battery compartment door and tighten the screws. Do not over-tighten.
 - If this product begins to operate erratically, you may need to reset the electronics. Slide the power switch off and then back on.
 - When motion from the swing becomes slow or stops, replace the batteries.
-  • Protect the environment by not disposing of this product with household waste (2002/96/EC). Check your local authority for recycling advice and facilities (Europe only).

Battery Safety Information

In exceptional circumstances, batteries may leak fluids that can cause a chemical burn injury or ruin your product. To avoid battery leakage:

- Do not mix old and new batteries or batteries of different types: alkaline, standard (carbon-zinc) or rechargeable (nickel-cadmium).
- Insert batteries as indicated inside the battery compartment.
- Remove batteries during long periods of non-use. Always remove exhausted batteries from the product. Dispose of batteries safely. Do not dispose of this product in a fire. The batteries inside may explode or leak.
- Never short-circuit the battery terminals.
- Use only batteries of the same or equivalent type, as recommended.
- Do not charge non-rechargeable batteries.
- Remove rechargeable batteries from the product before charging.
- If removable, rechargeable batteries are used, they are only to be charged under adult supervision.

Securing Your Child



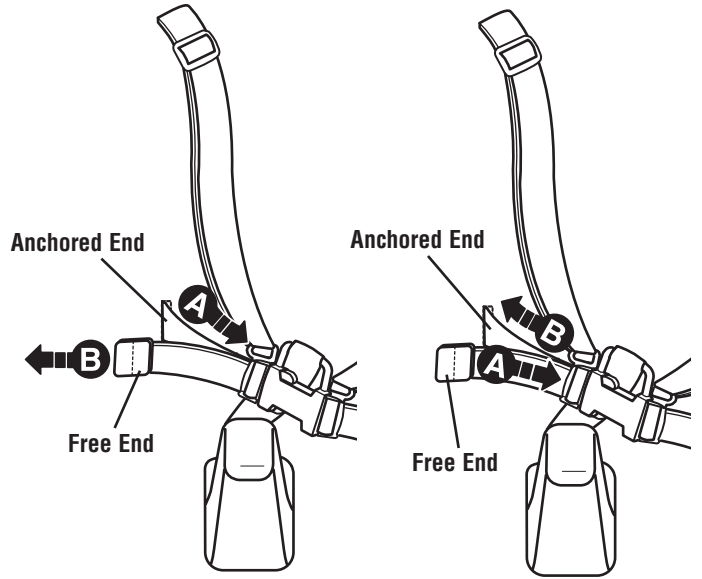
1

- Place your child in the seat. Position the crotch belt between your child's legs.
- Slide the ends of the shoulder belts onto the ends of the waist belts.
- Fasten both waist/shoulder belts to each side of the crotch belt. **Make sure you hear a "click" on both sides.**
- Check to be sure the restraint system is securely attached by pulling it away from your child. The restraint system should remain attached.



2

- Tighten each waist belt and shoulder belt so that the restraint system is snug against your child. Please refer to the next section for instructions to tighten the belts.



3

TIGHTEN

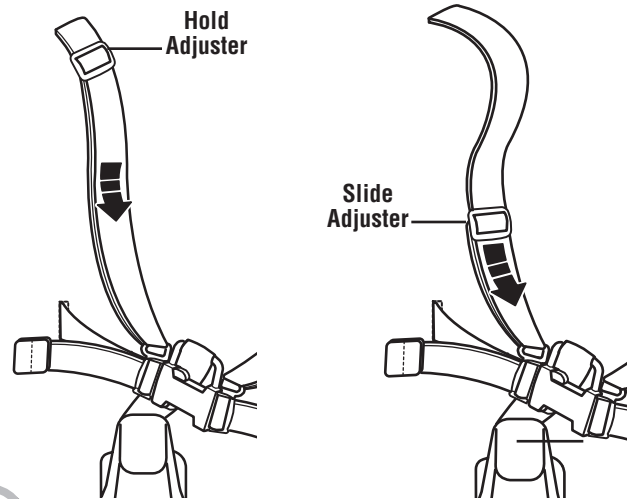
LOOSEN

To tighten the waist belts:

- Feed the anchored end of the waist belt up through the buckle to form a loop **A**. Pull the free end of the waist belt **B**. Repeat this procedure to tighten the other waist belt.

To loosen the waist belts:

- Feed the free end of the waist belt up through the buckle to form a loop **A**. Enlarge the loop by pulling on the end of the loop toward the buckle. Pull the anchored end of the waist belt to shorten the free end of the waist belt **B**. Repeat this procedure to loosen the other waist belt.



4

TIGHTEN

LOOSEN

To tighten the shoulder belts:

- Hold the adjuster and pull the front shoulder strap down.

To loosen the shoulder belts:

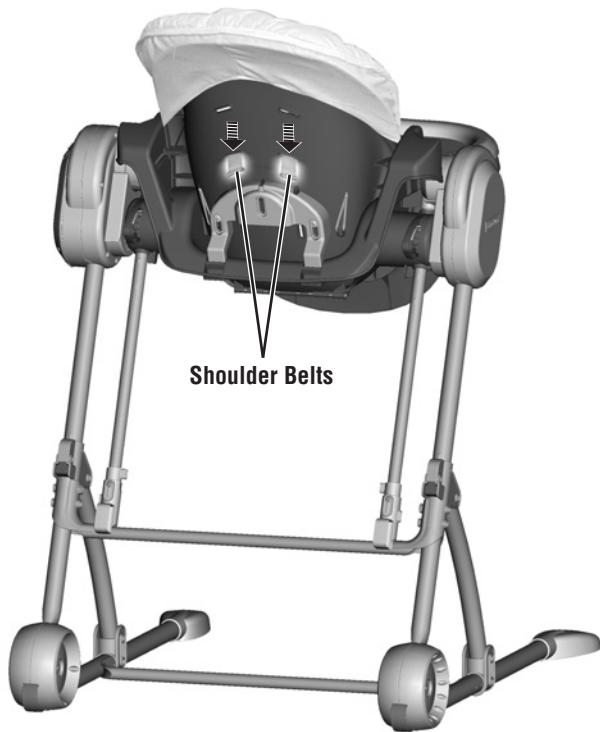
- Slide the adjuster down.

Changing Shoulder Belt Slots



1

- Use the lower shoulder belt slots for a smaller child and the upper shoulder belt slots for a larger child.



2

- Unbuckle the restraint system.
- From the back of the seat, push the shoulder belts through the seat back slots.



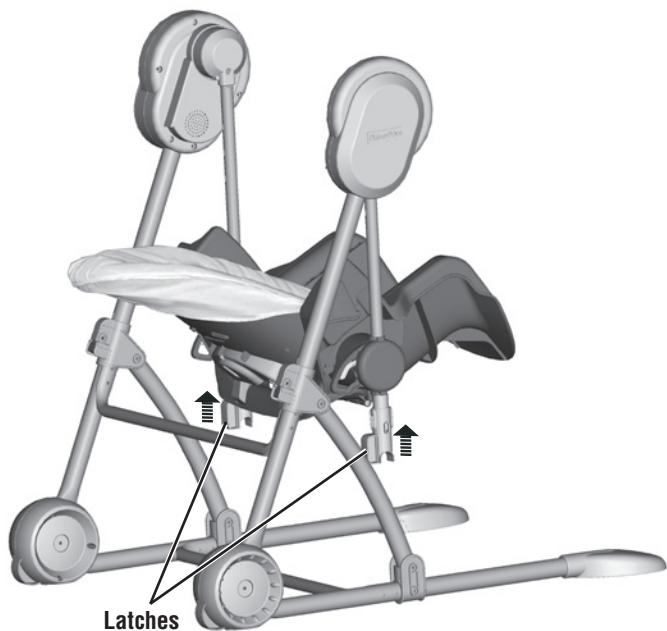
3

- From the front of the seat, pull the shoulder belts out and then fit them back through the desired shoulder belt slots in the seat pad **and** the seat back.
- Pull on the belts to be sure they are secure in the seat back.

Convert to High Chair

WARNING

Never convert to high chair with child in product.



1

BACK SIDE VIEW

- From the back of the seat, lift both latches.



2

Crossbar

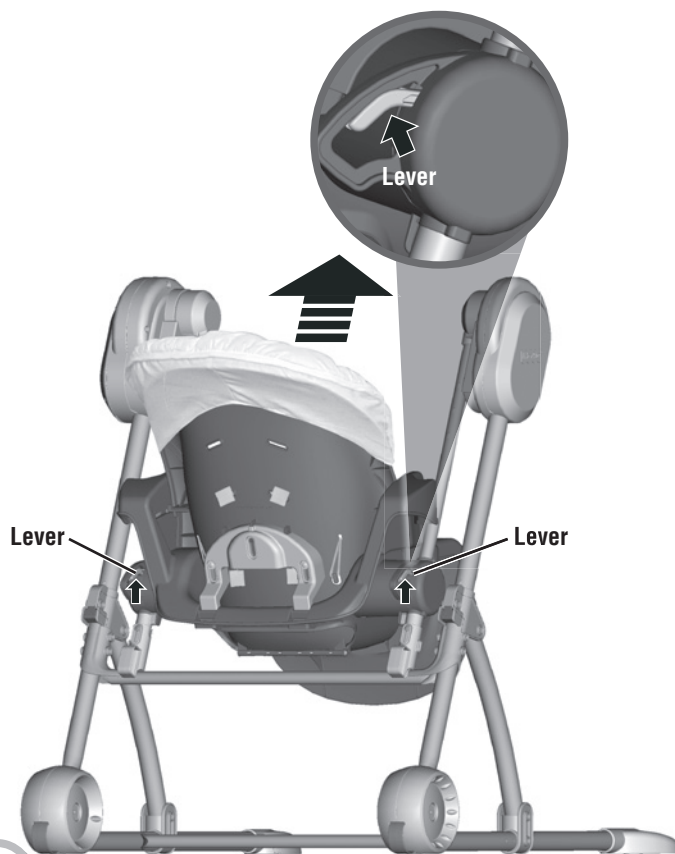
- While lifting the latches, pull the seat back toward the crossbar.



3

BACK VIEW

- Fit the latches onto the crossbar and push into place. Push down on the seat to be sure it is locked in place.



4

IMPORTANT! Do not raise the seat height unless the seat is locked to the crossbar.

- Press the levers on both seat height adjusters and lift or lower the seat to any of three different heights.
- Make sure both sides of the seat are adjusted to the same height.
- Push on the seat to be sure it is locked in place.

High Chair Use

Hint: Before use, thoroughly wash all parts (the trays) that may contact food. The tray is not dishwasher safe.

WARNING

Prevent serious injury or death from falls or sliding out.

- The child should be secured in the high chair at all times by the restraint system, either in the reclining or upright position. The restraint belts must be adjusted to fit your child snugly. The tray is not designed to hold the child in the chair.
- Only use as a high chair when child is capable of sitting up unassisted.
- Never leave child unattended.



- Fit the tray onto the seat armrests. Slide the tray into place.



- While pushing the release button on the front of the tray, adjust the tray forward or backward.

High Chair Use

Tray Insert



- Fit the tray insert into the tray, as shown.
- **Hint:** The tray insert is not microwave safe.
- To remove the tray insert, place your finger in the notch and lift.

Release Button



- While pushing the release button on the front of the tray, pull the tray towards you and remove.

5

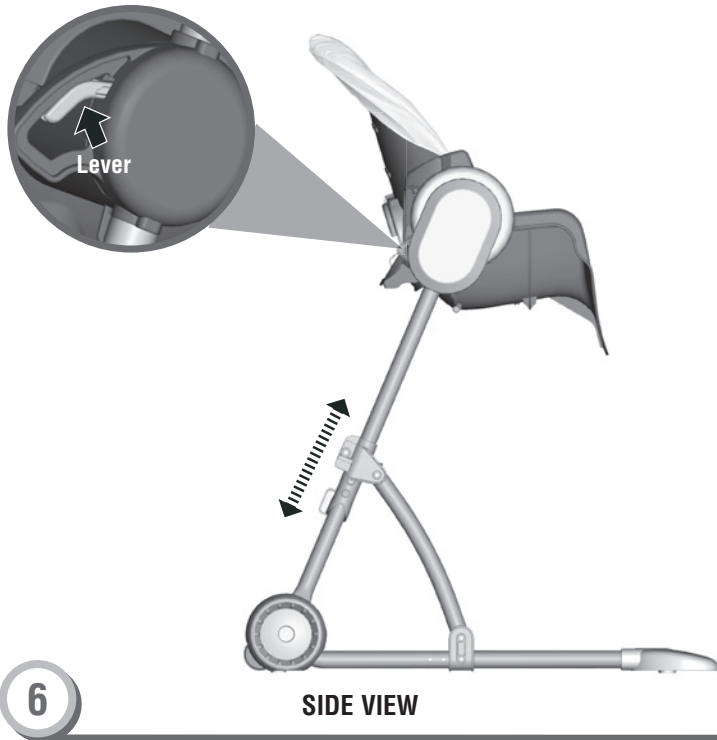


SIDE VIEW

Adjust Seat Position

- Lift the lever on the back of the seat back and push the seat back forward or, pull it backwards to insert the tabs into the desired set of slots. Use the **front slots** for the **upright position** and the **back slots** for the **recline position**.
- Release the lever to secure the tabs in the desired set of slots.
- Push the seat back to be sure it is latched in position.

High Chair Use



Adjust Seat Height

- While pressing the lever on each seat height adjuster, lift or lower the seat to the desired height.
- Push down on the seat to be sure it is secure.



Music and Sounds

- Slide the power switch ON ●.
 - Press the sound select buttons for music and other soothing sounds.
 - Press the volume buttons to adjust the volume level.
- Hint:** The swing will not work when in high chair mode.
- Slide the power switch to ○ to turn to sounds and music OFF.

Convert to Swing



WARNING

Never convert to swing with child in product.

Release Button

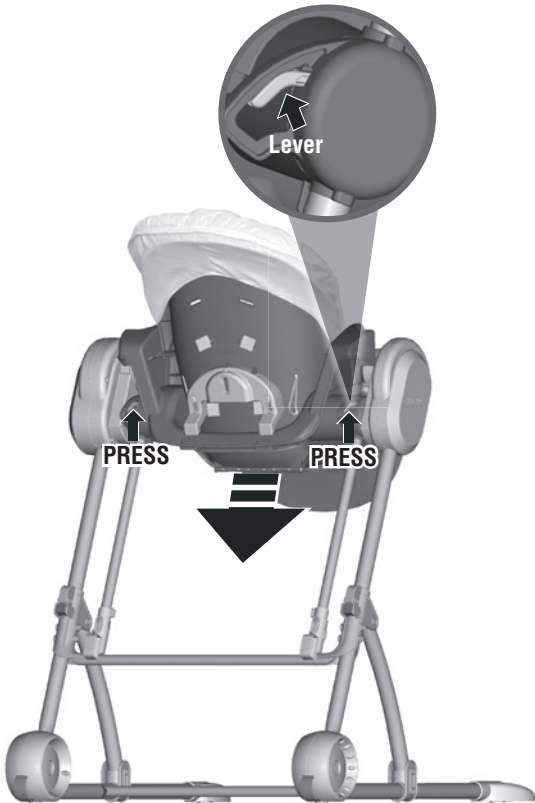


- While pushing the release button on the front of the tray, pull the tray towards you and remove.

Lever

PRESS

PRESS



- Press the lever on each seat height adjuster and completely lower the seat.



IMPORTANT! The seat must be completely lowered before using the latches.

- Lift the latches on the back of the seat.



- Push the seat forward and release the latches.

Swing Use

WARNING

To prevent injury or death from falls and being strangled in the restraint system:

- Always use the restraint system. Never use the tray to restrain child.
- Never use with an active child who may be able to climb out of the swing.
- Never leave child unattended.

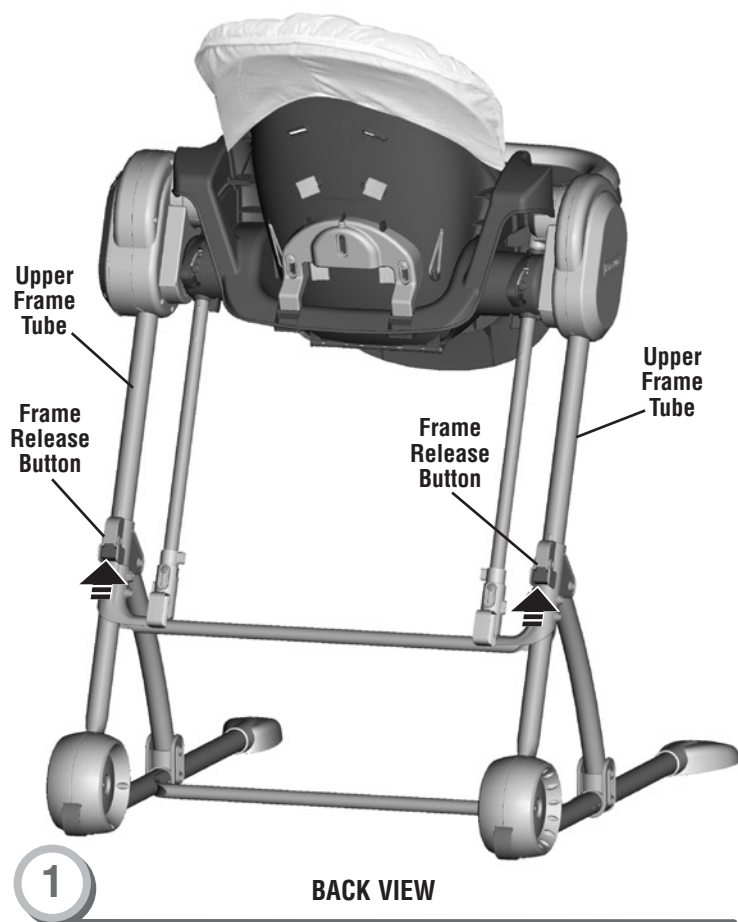


- For best performance, do not use the tray when using as a swing.
- Slide the power switch ON ●.
- Press the swing speed buttons to adjust the speed to the desired swing motion setting.
- Give the seat a light push to start the swinging motion.

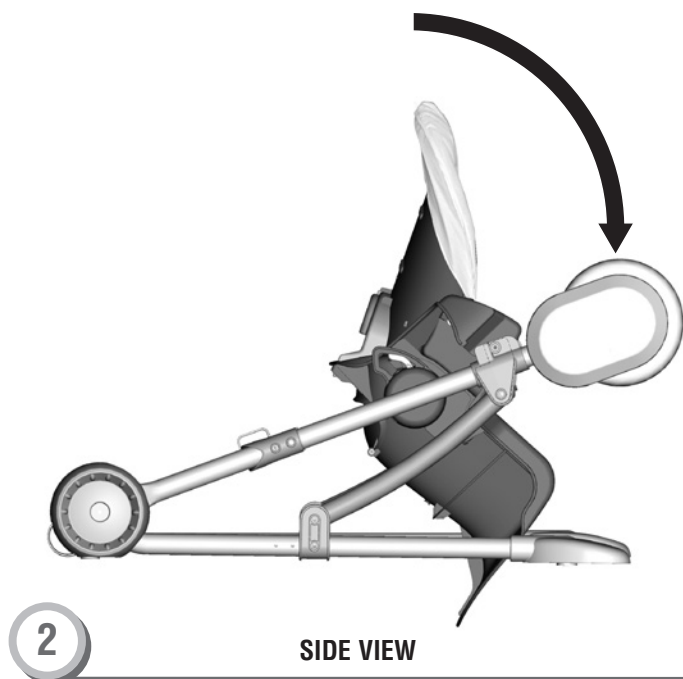
Hints:

- After turning on power, this product may not swing unless there is a child in the seat.
- As with most battery-power swings, a heavier child will reduce the amount of swinging motion on all settings. In most cases, the low setting works best for a smaller child while the higher setting works best for a heavier child.
- If swinging stops while using a lower setting, try a higher setting. Give the seat a light push to start the swinging motion again.
- Press the sound select buttons for music and other soothing sounds.
- Press the volume buttons to adjust the volume level.
- When finished, slide the power switch OFF ○.

Storage



- While holding the upper frame tubes, press the frame release buttons.



- Slowly and carefully lower the upper frame towards the floor.

Care

- The restraint system, frame and trays may be wiped clean using a mild cleaning solution and a damp cloth.
- The tray insert is also top rack dishwasher safe (or use bottom rack - without using the drying cycle).
- The pad is machine washable. Wash in cold water on the gentle cycle. Do not use bleach. Tumble dry separately on low heat and remove promptly.

To remove the pad:

- Remove the elastic loops from the pegs on the underside and back of the seat.
- Unfasten the pad hooks from the front edge of the seat.
- Pull the restraint belts through the slots in the pad.
- Lift the top of the pad off of the seat back.
- To replace the pad, refer to the assembly section of these instructions.

IMPORTANT! Never use this product without the restraint system.



? **CONSUMER ASSISTANCE**
AYUDA AL CONSUMIDOR
SERVICE À LA CLIENTÈLE
1-800-432-5437 (US & Canada)

service.fisher-price.com

Fisher-Price, Inc., 636 Girard Avenue, East Aurora, NY 14052.

Hearing-impaired consumers/Cientes con problemas auditivos/
Pour les malentendants: 1-800-382-7470.

En México: 59-05-51-00 Ext. 5205 ó 01-800-463-59-89

CANADA

Mattel Canada Inc., 6155 Freemont Blvd.,
Mississauga, Ontario L5R 3W2; www.service.mattel.com.

MÉXICO

Importado y distribuido por Mattel de México, S.A. de C.V.,
Insurgentes Sur #3579, Torre 3, Oficina 601, Col. Tlalpan,
Delegación Tlalpan, C.P. 14020, México, D.F. R.F.C. MME-920701-NB3.

CHILE

Mattel Chile, S.A., Avenida Américo Vespucio 501-B, Quilicura, Santiago, Chile.

VENEZUELA

Mattel de Venezuela, C.A., RIF J301596439, Ave. Mara, C.C. Macaracuay Plaza,
Torre B, Piso 8, Colinas de la California, Caracas 1071.

ARGENTINA

Mattel Argentina, S.A., Curupaytí 1186, (1607) – Villa Adelina, Buenos Aires.

COLOMBIA

Mattel Colombia, S.A., calle 123#7-07 P.5, Bogotá.

Fisher-Price, Inc., a subsidiary of Mattel, Inc., East Aurora, New York 14052, U.S.A.
©2010 Mattel, Inc. All Rights Reserved.
© and ™ designate U.S. trademarks of Mattel, Inc.

Fisher-Price, Inc., une filiale de Mattel, Inc., East Aurora, New York 14052, É.-U.
©2010 Mattel, Inc. Tous droits réservés.
© et ™ désignent des marques de Mattel, Inc. aux É.-U.

PRINTED IN CHINA/IMPRIMÉ EN CHINE
T2864pr-0920

Free Manuals Download Website

<http://myh66.com>

<http://usermanuals.us>

<http://www.somanuals.com>

<http://www.4manuals.cc>

<http://www.manual-lib.com>

<http://www.404manual.com>

<http://www.luxmanual.com>

<http://aubethermostatmanual.com>

Golf course search by state

<http://golfingnear.com>

Email search by domain

<http://emailbydomain.com>

Auto manuals search

<http://auto.somanuals.com>

TV manuals search

<http://tv.somanuals.com>