

# **POWER WHEELS** by Fisher-Price®



Product features may vary from the picture above.

# **Trail Beast™**

## **Owner's Manual with Assembly Instructions**

Please read this manual and save it with your original sales receipt.

**For Model 74527**

Tools needed for assembly: Phillips Screwdriver, Hammer, and Pliers (not included);  
Cap Nut Assembly Tool (included).

Use only with a Power Wheels® 12 Volt Lead-acid Rechargeable Battery with Built-in Thermal Fuse  
and Power Wheels® 12 Volt Charger (both included).

# Table of Contents

A	Important Information	.2
B	Warnings and Cautions	.3
C	Parts	.4
D	Parts Diagram	.6
E	Battery Charging	.7
F	Assembly	.9
G	Label Decoration	.15
H	Battery Installation	.17
I	Battery Care and Disposal	.18
J	Caring For Your Vehicle	.18
K	Rules For Safe Driving	.19
L	How to Operate Your Vehicle	.20
M	Statement of Limited Warranty	.21
N	Problems and Solutions Guide	.22
O	Authorized Service Centers	.25

## A

## Important Information

- Your new vehicle requires adult assembly. Please set aside at least 45 minutes for assembly.
- You must charge your battery for 18 - 30 hours **before you use your vehicle for the first time**. We recommend that you start charging your battery before beginning assembly. Please see Battery Charging beginning on page 7 for detailed instructions.
- Read this manual carefully for important safety information and operating instructions before using your vehicle. Please keep this manual for future reference as it contains important information.
- This vehicle is designed for use on grass, asphalt and other hard surfaces, on flat terrain and hills, by children 3 - 7 years of age.
- To prevent damaging the motors and gears, do not tow anything behind the vehicle or overload it. Do not exceed the maximum weight capacity of 65 lb. (30 kg).
- For safety reasons, your vehicle has been pre-set so that it will operate at low speed. **You must disconnect the high speed lock-out to allow operation of the vehicle at high speed**. Please see page 21 for detailed instructions.
- If you have any questions about your Power Wheels® vehicle, please call our toll-free service lines at **1-800-348-0751** from 8 AM to 5 PM (EST) Monday through Friday. Trained customer service representatives are available to take your call in English or French. Habla Español? Si usted tiene alguna pregunta ó necesita asistencia llame gratis **1-800-348-0755** para los Estados Unidos. Tenemos representantes que hablan español para atender su llamada.
- For your convenience, Power Wheels® maintains an Authorized Service Center Network with more than 400 authorized service centers nationwide. Our authorized service centers will repair or replace parts under warranty at no extra charge, and can perform non-warranty repairs for a minimal charge. Please see the Authorized Service Center list beginning on page 25 to find the authorized service center nearest you, or call **1-800-348-0751**.
- Please complete and return the enclosed Registration Card today, or call **1-800-348-0751** to register your vehicle by phone.

 **WARNING**

- Children can be harmed by small parts, sharp edges and sharp points in the vehicle's unassembled state, or by electrical items. Care should be taken in unpacking and assembly of the vehicle. Children should not handle parts, including the battery, or help in assembly of the vehicle.
- Keep small parts and plastic bags out of children's reach. Dispose of plastic bags properly.
- Adult supervision is required. Children do not have the judgement necessary to avoid many accidents. Be sure that children operating this vehicle can do so safely and that they are supervised at all times.
- Never use near steps, driveways, steep inclines, roadways, alleys, swimming pool areas or other bodies of water.
- Always wear shoes or sneakers when operating this vehicle.
- Never allow more than one rider.
- The rider should sit on the seat when the vehicle is in operation.
- Never alter this vehicle or its electrical system in any way. Alterations could cause a fire resulting in injury and could also ruin the electrical system.
- Use of the wrong type battery or charger could cause a fire or explosion, resulting in serious injury.
- Use of Power Wheels® components in products other than Power Wheels® vehicles could cause overheating, fire or explosion.
- The battery must be handled by adults only. The battery is heavy and contains sulfuric acid (electrolyte). Dropping the battery could result in serious injury.
- Read the cautions on the back panel of the battery.
- Never allow children to charge the battery. Battery charging must be done by adults only. A child could be injured by the electricity involved in charging the battery.
- Examine the battery, charger and their connectors for excessive wear or damage each time you charge the battery. If damage or excessive wear is detected, do not use the vehicle until you have replaced the worn or damaged part as it could possibly cause a fire resulting in injury.

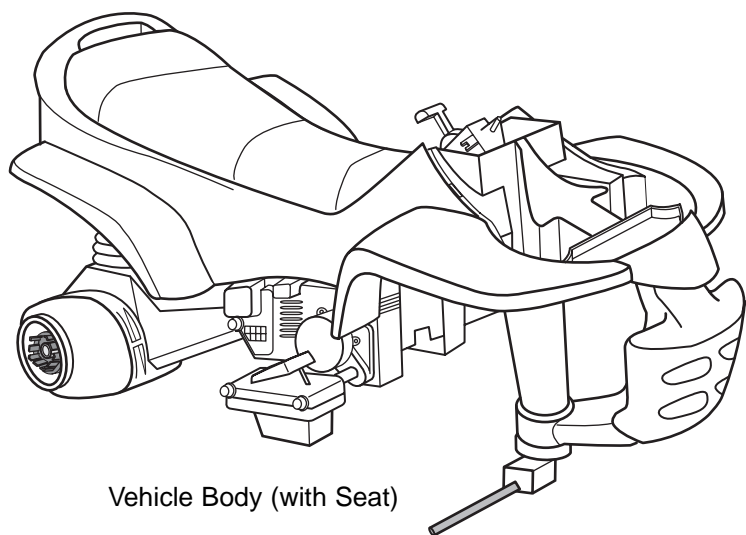
 **CAUTION**

- This product contains small parts. Adult assembly is required.
- Use the charger in dry locations only.

# C

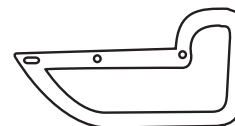
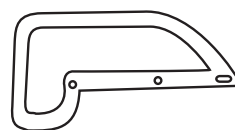
## Parts

- If you experience a problem with this product, or are missing a part, please call us at **1-800-348-0751**, rather than return this product to the store.
- Please identify all parts before assembly and save all packaging material until assembly is complete to ensure that no parts are discarded.
- Some parts were placed under the seat for shipment. Press the tab under the back of the seat and lift to access the battery compartment.
- Metal parts have been coated with a lubricant to protect them during shipment. Wipe all metal parts with a paper towel to remove any excess lubricant.



Vehicle Body (with Seat)

(Left)

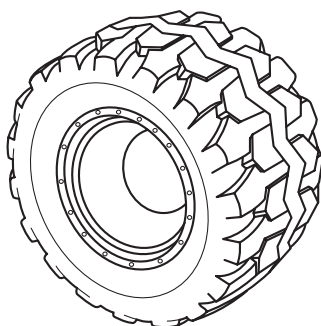


(Right)

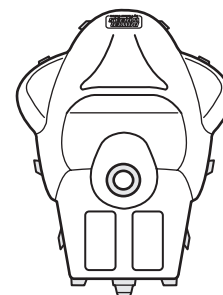
Mudflap Set



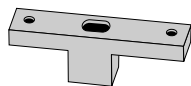
Hubcap - 4



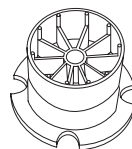
Wheel - 4



Cowling



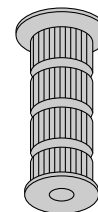
Handlebar Neck



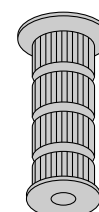
Rear Wheel Driver - 2



Steering Column

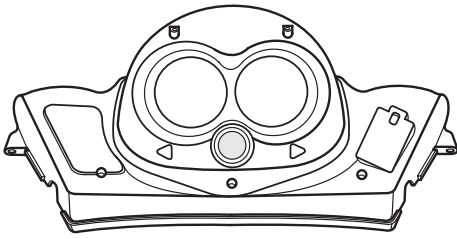


Right Hand Grip

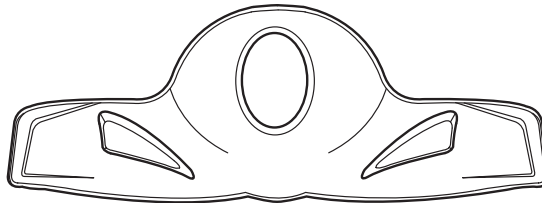


Left Hand Grip

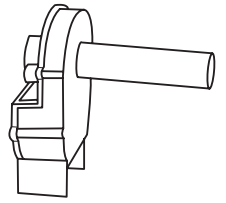
# Parts



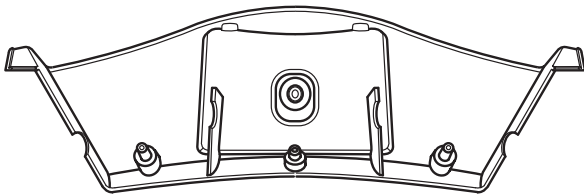
Handlebar Housing -  
Top Half



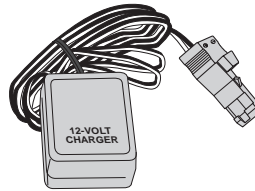
Front Fairing



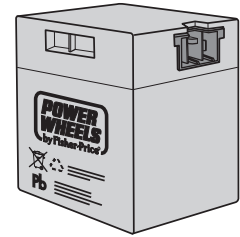
Sound Box



Handlebar Housing -  
Bottom Half



12-Volt Charger



12 Volt Battery



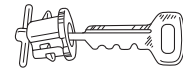
Radio Knob - 2



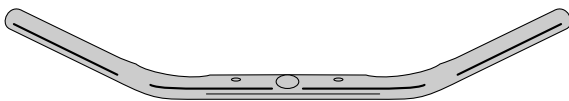
Lock Nut - 2



Round Bushing - 2



Key Assembly



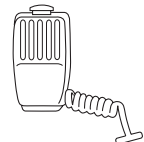
Handlebar



Cap Nut  
Installation Tool

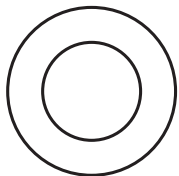


Hex Bushing - 4



Microphone

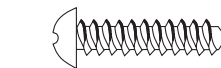
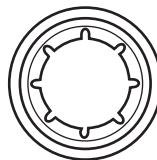
Not Shown: Label Sheet, Literature Bag



7/16" Washer - 6\*



Cap Nut - 8\*



#8 x 3/4" Screw - 19\*



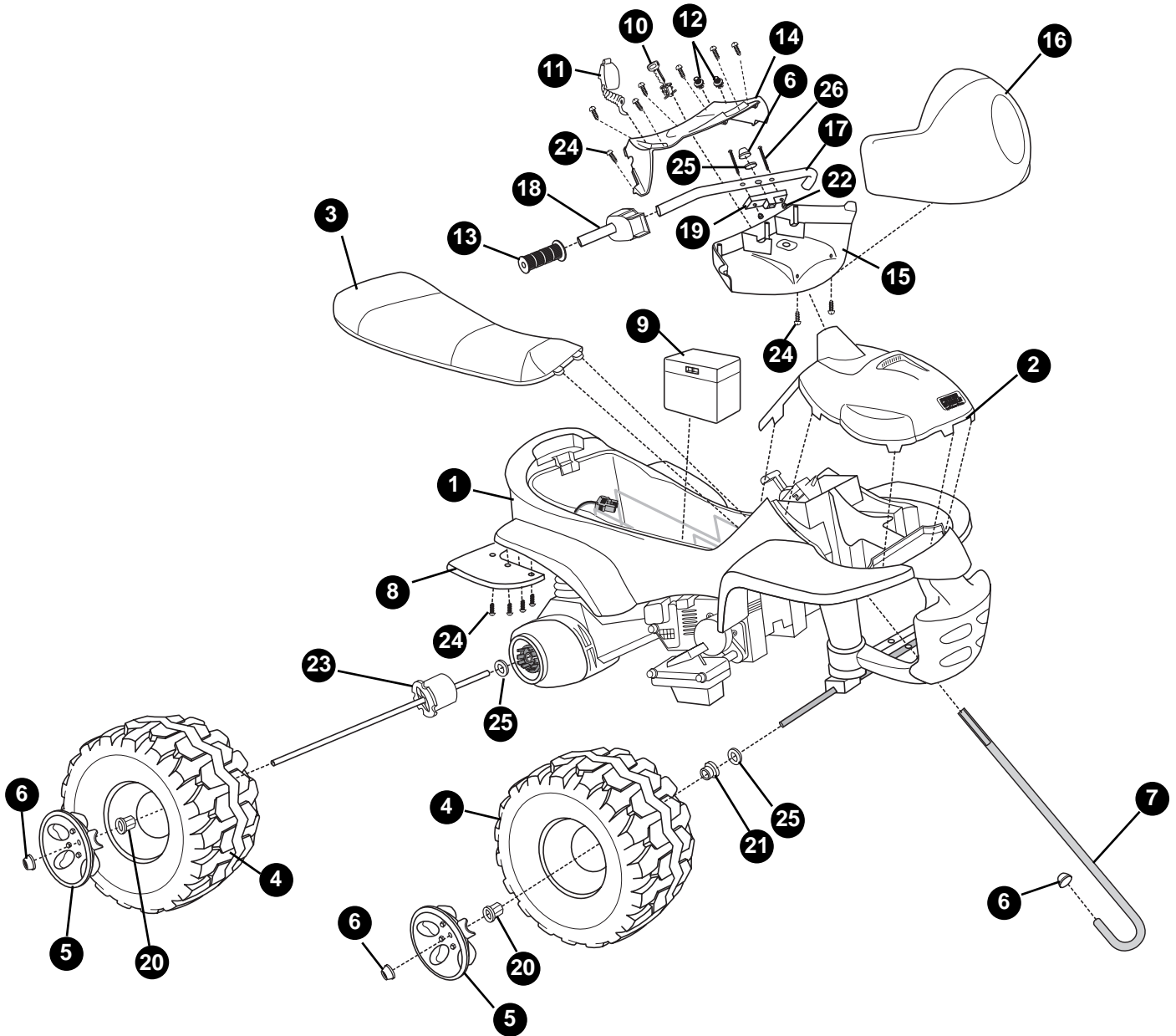
1 1/2" Screw - 2

**All Shown Actual Size**

\*For your convenience, extra washers, screws and cap nuts have been included.

# D

## Parts Diagram



- |                    |                                     |                           |
|--------------------|-------------------------------------|---------------------------|
| 1. Vehicle Body    | 12. Radio Knob - 2                  | 21. Round Bushing - 2     |
| 2. Cowling         | 13. Right Hand Grip                 | 22. Lock Nut - 2          |
| 3. Seat            | 14. Handlebar Housing - Top Half    | 23. Rear Wheel Driver - 2 |
| 4. Wheel - 4       | 15. Handlebar Housing - Bottom Half | 24. #8 x 3/4" Screw - 17  |
| 5. Hubcap - 4      | 16. Front Fairing                   | 25. 7/16" Washer - 5      |
| 6. Cap Nut - 6     | 17. Handlebar                       | 26. 1 1/2" Screw - 2      |
| 7. Steering Column | 18. Sound Box                       | <b>Not Shown</b>          |
| 8. Right Mudflap   | 19. Handlebar Neck                  | 12 Volt Charger           |
| 9. 12 Volt Battery | 20. Hex Bushing - 4                 | Label Sheet               |
| 10. Key Assembly   |                                     | Left Mudflap              |
| 11. Microphone     |                                     | Left Hand Grip            |

**WARNING**

- The battery must be handled by adults only. The battery is heavy and contains sulfuric acid (electrolyte). Dropping the battery could result in serious injury.
- Never allow children to charge the battery. Battery charging must be done by adults only. A child could be injured by the electricity involved in charging the battery.
- Use of the wrong type battery or charger could cause a fire or explosion, resulting in serious injury.
- Use of Power Wheels® components in products other than Power Wheels® vehicles could cause overheating, fire or explosion.
- Read the cautions on the back panel of the battery.
- Examine the battery, charger and their connectors for excessive wear or damage each time you charge the battery. If damage or excessive wear is detected, do not use the charger or the vehicle until you have replaced the worn or damaged part.
- Never alter this vehicle or its electrical system in any way. Alterations could cause a fire resulting in injury and could also ruin the electrical system.

**About Thermal Fuses**

Your Power Wheels® 12 volt battery is equipped with a built-in thermal fuse. The thermal fuse is a self-resetting safety device which automatically “trips” and shuts down operation of the vehicle if the vehicle is overloaded or the driving conditions too severe. Once a fuse has “tripped”, it will automatically reset itself after approximately 25 seconds and allow the vehicle to resume normal operations. To avoid repeated automatic shutdowns, do not overload the vehicle by exceeding the 65 lb. maximum weight capacity or by towing anything behind the vehicle. Avoid severe driving conditions, such as driving up very steep slopes or running into fixed objects, which can cause the wheels to stop spinning while power is still being supplied to the motors. Make sure your child stops the vehicle before switching speeds or direction.

If a thermal fuse in a battery continually trips under normal driving conditions, please contact your local Power Wheels® Authorized Service Center. For the location of the Authorized Service Center nearest to you, see page 25.

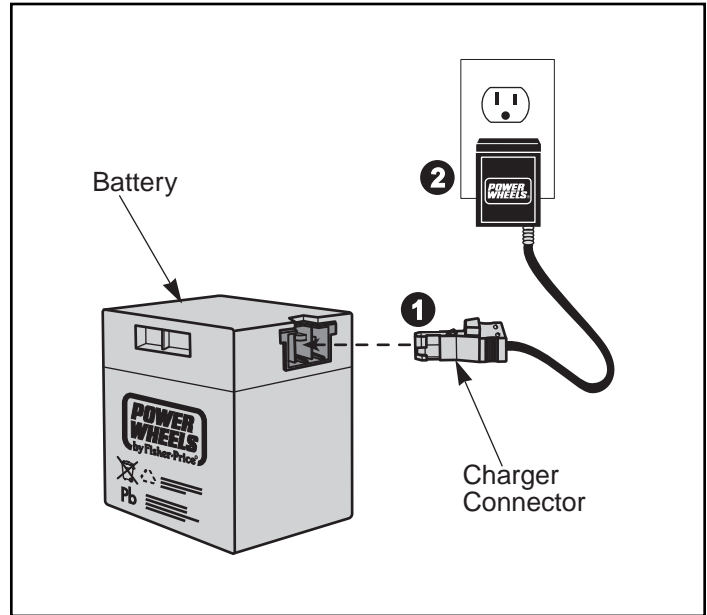
**CAUTION**

Use the charger in dry locations only.

# Battery Charging

## Important Notes

- Your new battery must be charged for at least 18 hours before you use it in your vehicle for the first time.
- You do not need to remove the battery from your vehicle to recharge it.
- The battery must be upright while charging.
- The charger is not a toy.
- Do not short circuit the battery.
- We recommend that you start charging your battery before beginning assembly of your new vehicle.
- Before charging the battery, examine the battery case for cracks and other damage which may cause sulfuric acid (electrolyte) to leak during the charging process. If damage is detected, do not charge the battery or use it in your vehicle. Battery acid is very corrosive and can cause severe damage to surfaces it contacts.
- Do not charge the battery on a surface which could be damaged by the acid contained inside the battery. Take precautions to protect the surface on which you charge your battery.
- Use only a Power Wheels® 12 volt charger with type "12V" connector (120 VAC 60 Hz 28W with an output of 12 VDC 1200mA) to charge your Power Wheels® rechargeable 12 volt battery.



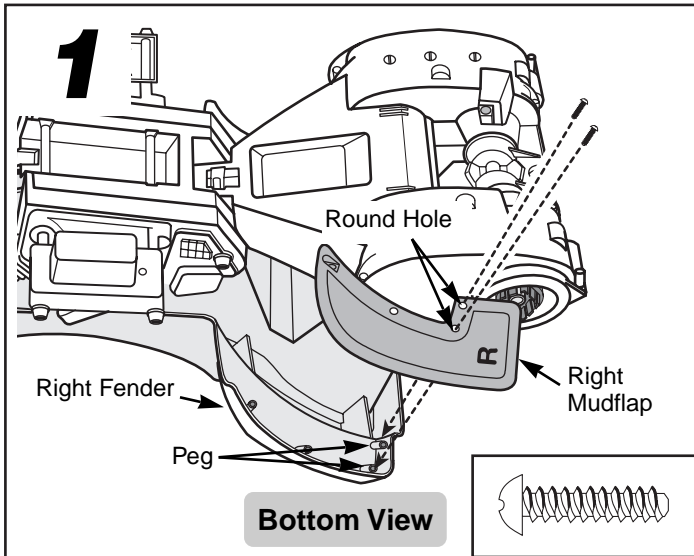
- Plug the charger connector into the battery ①.
- Plug the charger into a standard 120 volt wall outlet ②.

- Note:** If power flow to the wall outlet is controlled by a switch, make sure the switch is "ON".
- Before first-time use, charge the battery for **at least 18 hours**. Never charge the battery longer than 30 hours.
  - Recharge the battery for at least 14 hours after each use of your vehicle. Do not charge the battery longer than 30 hours.
  - Once the battery is charged, pull firmly on the charger connector to disconnect it from the battery. Unplug the charger from the wall outlet. The battery is now ready to be installed in your vehicle. Please see the Battery Installation section on page 17 for detailed instructions on installing your battery. If your battery is already installed in your vehicle, simply re-connect the motor harness connector to the battery.

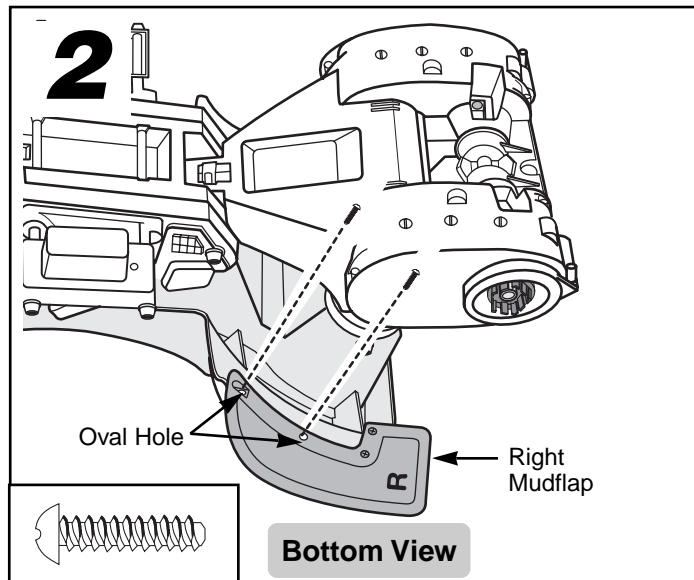


# F

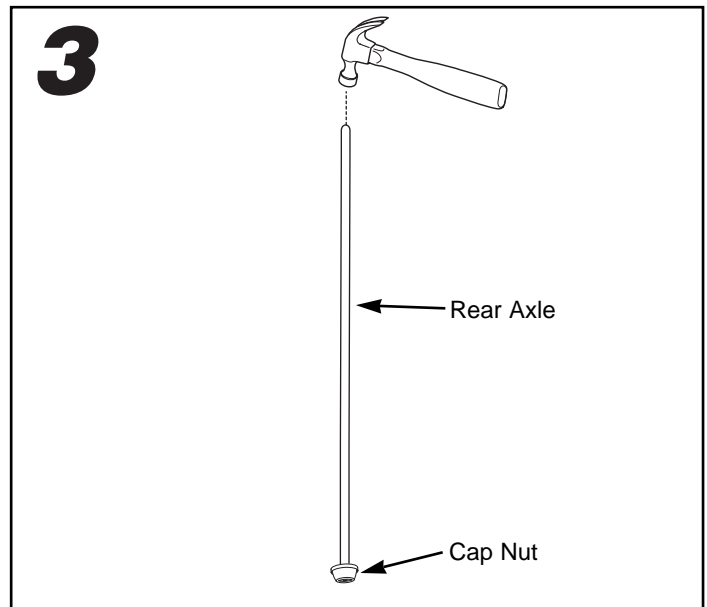
## Assembly



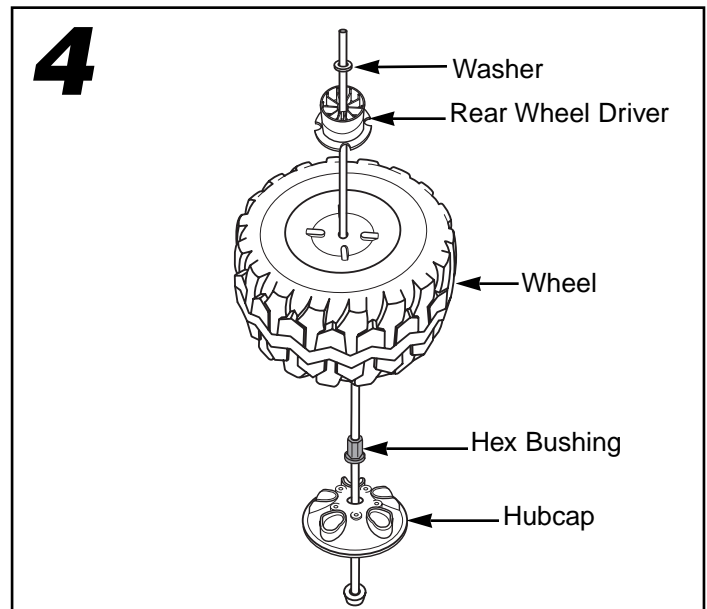
- Position the vehicle body upside down.
- Note:** The mudflaps are marked “R” and “L” to designate right and left.
- With the “R” marking facing up, align the two round holes in the right mudflap with the pegs on the underside of the right fender.
- Insert two #8 x 3/4" screws through the round holes in the mudflap and into the right fender.
- Tighten the screws with a Phillips screwdriver. Do not over-tighten.



- Align the two oval holes in the right mudflap with the pegs on the underside of the right fender.
- Insert two #8 x 3/4" screws through the oval holes in the mudflap and into the right fender.
- Tighten the screws with a Phillips screwdriver. Do not over-tighten.
- Repeat steps 1 and 2 to assemble the left mudflap (“L”) to the left fender.

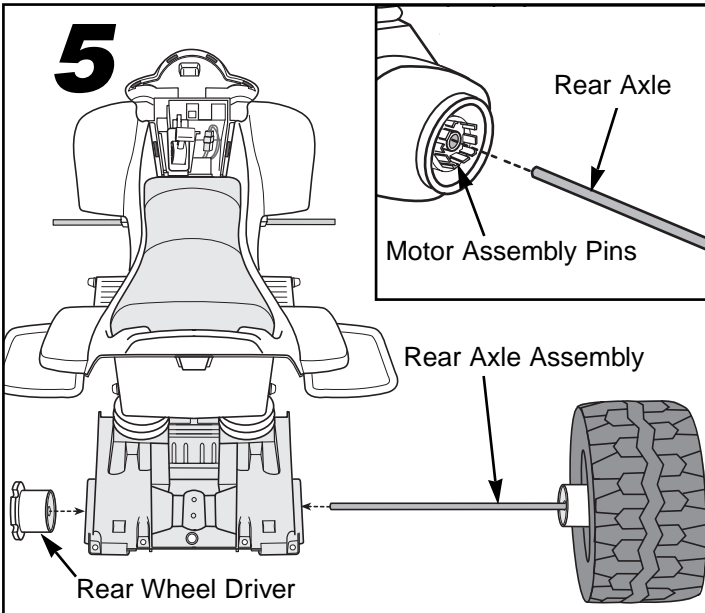


- Fit a cap nut onto one end of the rear axle.
- Tap the other end of the rear axle with a hammer to secure the cap nut on the end of the rear axle.
- Note:** You may want to position the cap nut on a scrap block of wood to protect the assembly surface.

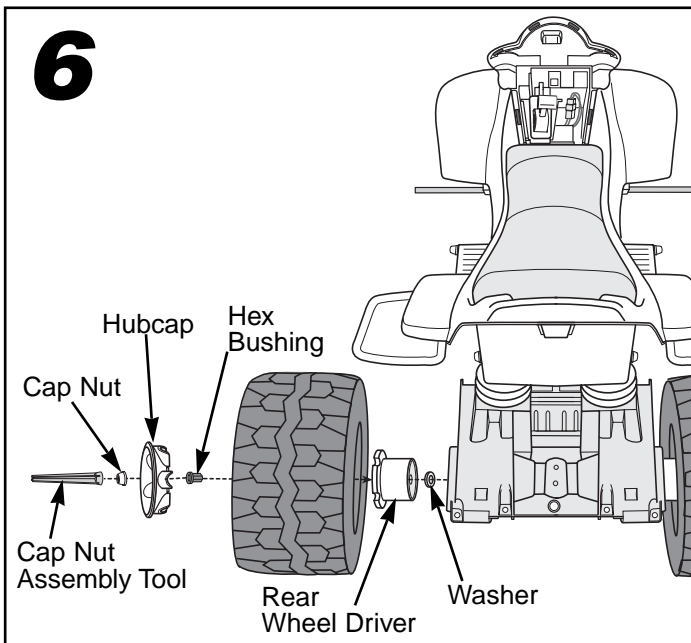


- Slide a hubcap, inside surface up, onto the rear axle.
- Slide a hex bushing, ring side first, onto the rear axle.
- Slide a wheel onto the rear axle. Make sure the ribs on the wheel face **up**.
- Slide a rear wheel driver, ring side first, onto the rear axle. Fit the grooves on the rear wheel driver onto the ribs on the wheel.
- Slide a washer onto the rear wheel axle.
- Set the rear axle assembly aside.

# Assembly



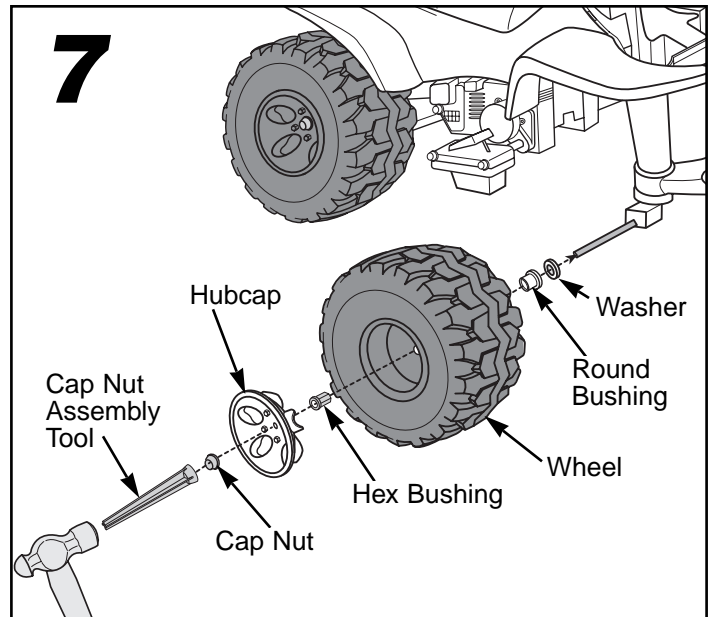
- Position the vehicle body upright.
- Fit and hold a rear wheel driver against the motor pins on one end of the motor assembly.
- While holding the rear wheel driver in place, slide the rear axle into the hole in the opposite side of the motor assembly. Make sure the rear wheel driver on the rear axle assembly fits onto the pins on the motor assembly.
- Take the rear wheel driver off the open end of the rear axle.



**Helpful Hint:** You may want the help of another adult to support the assembled end of the rear axle to complete rear axle assembly.

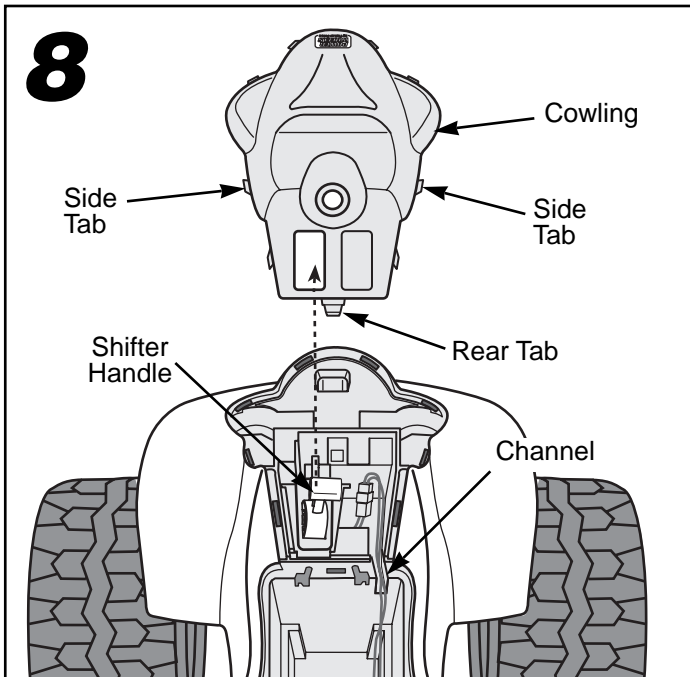
- Slide a washer onto the rear axle.
- Slide the rear wheel driver onto the rear axle. Make sure the rear wheel driver fits onto the pins on the motor assembly.

- Slide a wheel onto the rear axle. Make sure the ribs on the wheel fit into the grooves on the rear wheel driver.
- Slide a hex bushing, barrel side first, onto the rear axle. Press all but the ring on the hex bushing into the wheel.
- Slide a hubcap onto the rear axle.
- Fit a cap nut on the end of the rear axle.
- Fit the cupped end of the cap nut assembly tool over the cap nut and tap the end of the cap nut assembly tool with a hammer to secure the cap nut on the end of the rear axle.

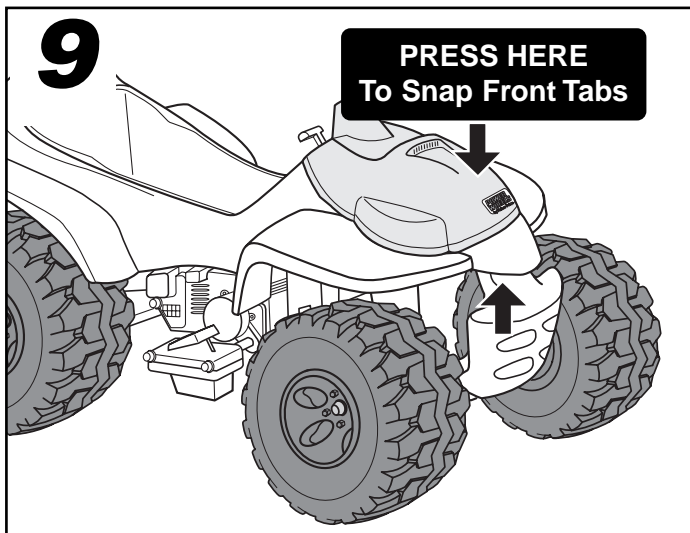


- Slide a washer onto one of the front axles.
- Slide a round bushing, ring side first, onto the same front axle.
- Slide a wheel (ribbed side first) onto the front axle.
- Slide a hex bushing onto the front axle. Press all but the ring on the hex bushing into the wheel.
- Slide a hubcap onto the front axle.
- Fit a cap nut on the end of the front axle.
- Fit the cupped end of the cap nut assembly tool over the cap nut and tap the end of the cap nut assembly tool with a hammer to secure the cap nut on the end of the axle.
- Repeat this procedure to assemble the remaining wheel to the other front axle.

# Assembly

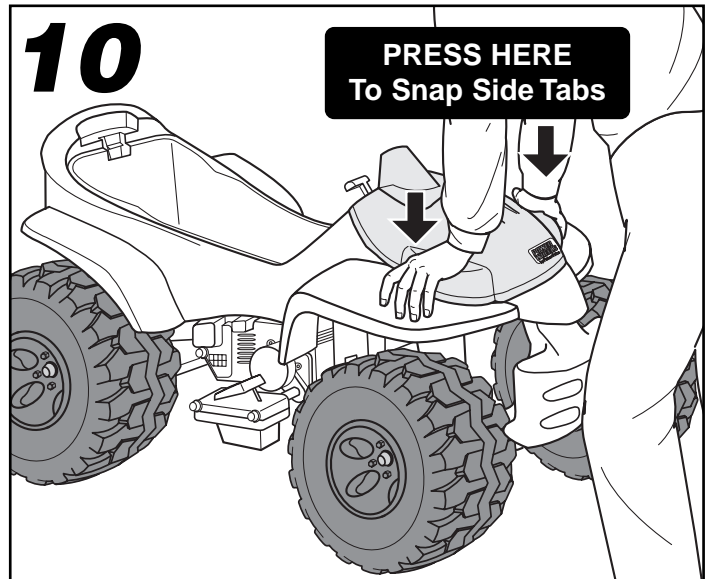


- Press the tab under the back of the seat and lift to remove the seat.
- Fit the rectangular opening in the cowling over the shifter handle.
- Align the front, side and rear tabs on the cowling with the slots in the vehicle body **but do not snap the tabs into the slots.**
- Make sure the harness wires are positioned in the channel to prevent them from being pinched between the cowling and vehicle body.



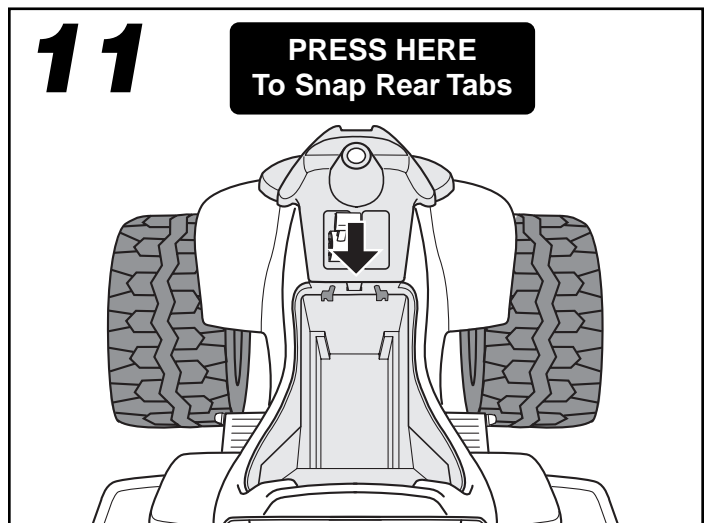
- Press firmly on the front of the cowling to snap the four front tabs into the slots in the vehicle body. **Make sure the side and rear tabs stay aligned with the slots.**

**Note:** Pull up on the front of the vehicle body while pressing down on the cowling to make sure the front tabs snap into the slots.



- Press firmly on each side of the cowling to snap the four side tabs into the slots in the vehicle body. **Make sure the rear tab stays aligned with the slots.**

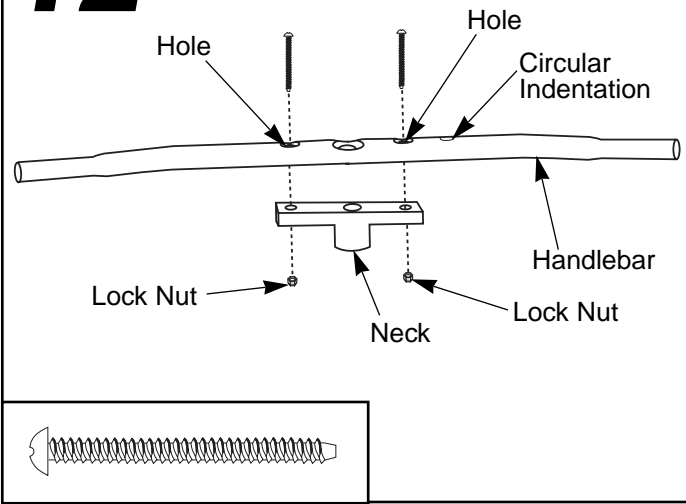
**Note:** You may need to flex the shifter to the side to fit the cowling over the high speed lock-out screw.



- Press firmly on the back of the cowling to snap the rear tab into the slots in the vehicle body

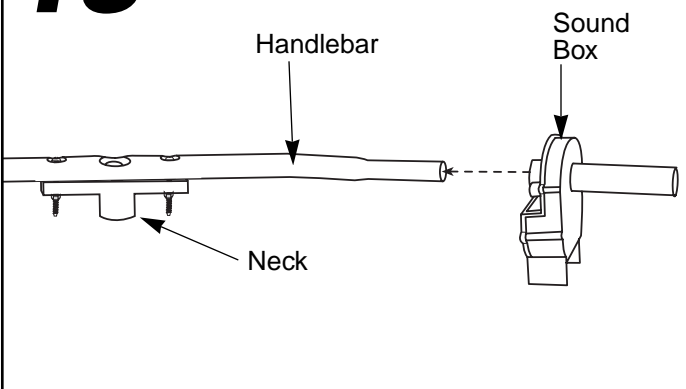
# Assembly

## 12



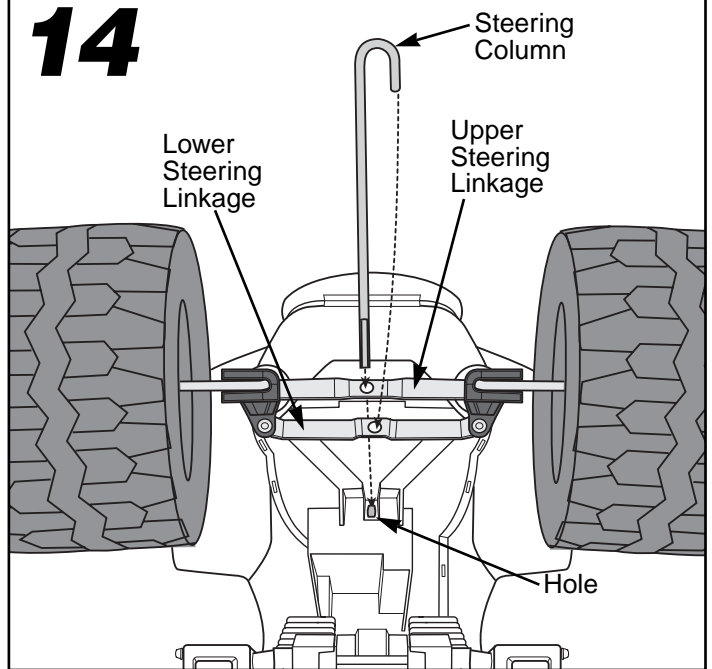
- Position the handlebar so that the side with the three holes and circular indentation faces up.
- Fit the neck against the bottom of the handlebar, with the holes in the handlebar and neck aligned.
- Insert a 1 1/2" screw down through each of the two outer holes in the handlebar and then through the neck.
- Fit a lock nut on the end of each screw.
- Using pliers to steady the lock nuts, tighten each screw with a Phillips screwdriver. Do not over-tighten.

## 13



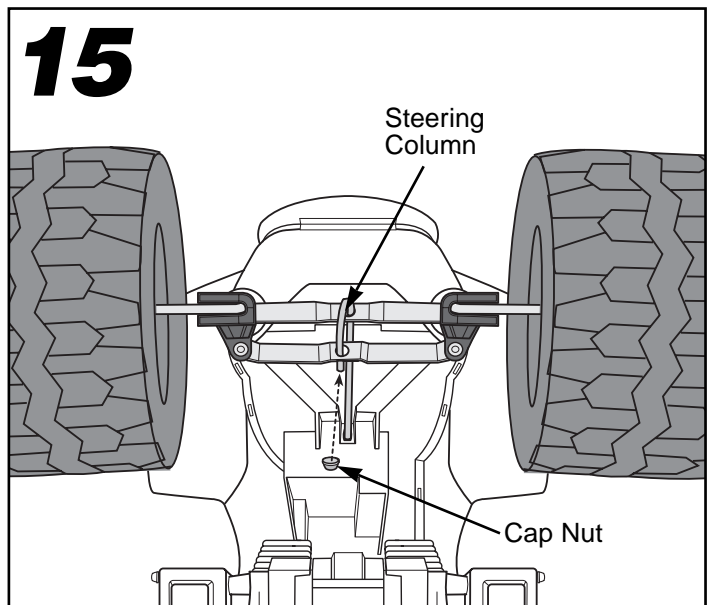
- Position the handlebar with the neck facing down and the handlebar curving toward you.
- Slide the soundbox onto the right end of the handlebar, soundbox side first.
- Set the handlebar assembly aside.

## 14



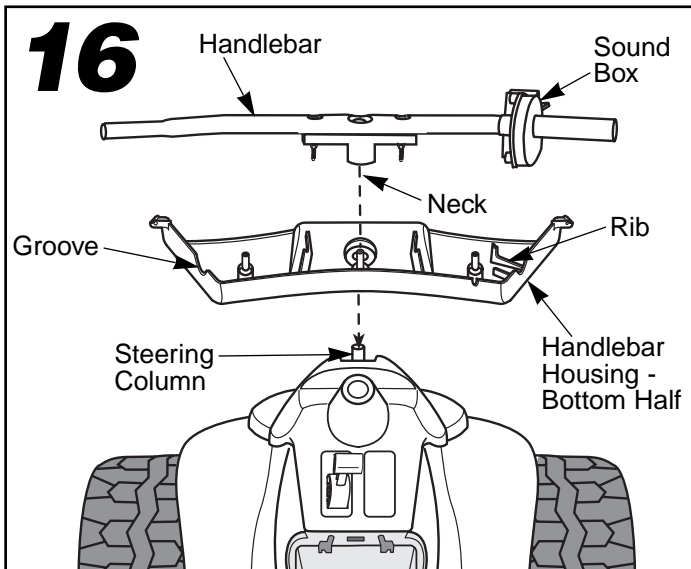
- Lift the front end of the vehicle.
- Slide the straight end of the steering column through the hole in the upper steering linkage and out through the hole in the vehicle body.
- Insert the curved end of the steering column into the hole in the lower steering linkage.

## 15

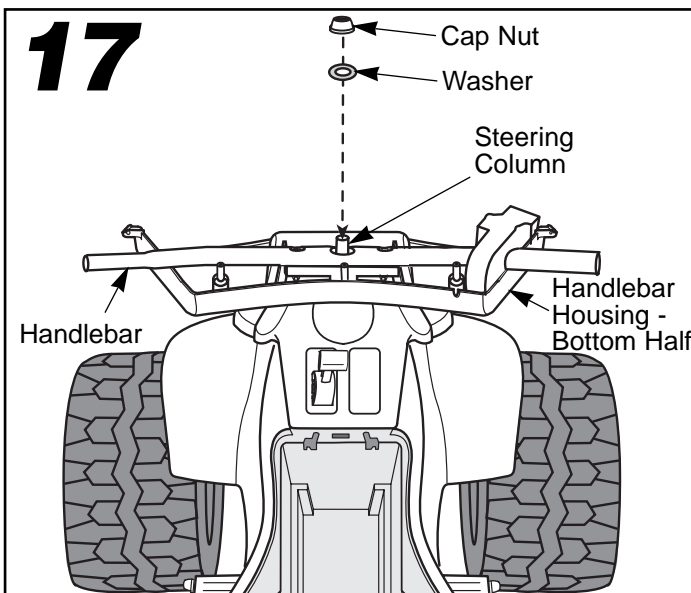


- Fit a cap nut on the curved end of the steering column.
- Support the steering column and tap the cap nut with a hammer to secure it on the end of the steering column.
- Position the vehicle body upright.

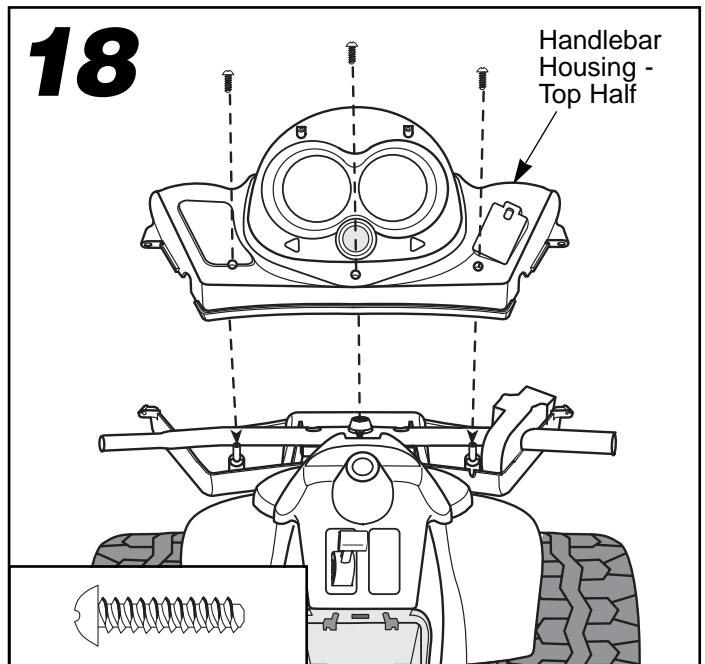
# Assembly



- Slide the bottom half of the handlebar housing onto the end of the steering column. Make sure the rim on the bottom of the handlebar housing fits into the hole in the vehicle body.
- Slide the handlebar, neck side down, onto the end of the steering column. Make sure the handlebar arms fit into the grooves in the handlebar housing and that the soundbox fits over the rib.



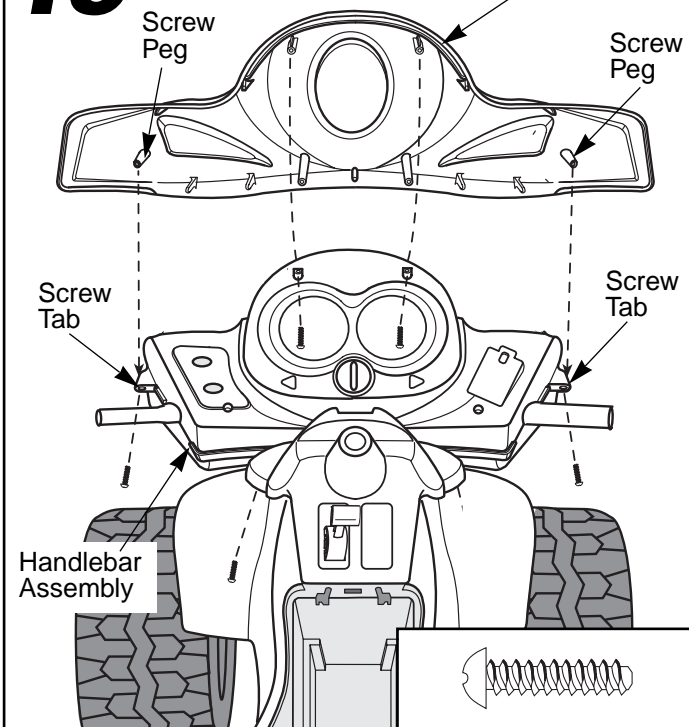
- Helpful Hint:** You may want the help of another adult to support the steering column near the steering linkage while assembling the handlebar to the vehicle body.
- Push firmly on the handlebar to make sure that the bottom half of the handlebar housing and the handlebar are fully seated on the vehicle body.
  - Slide a washer onto the steering column.
  - Fit a cap nut on the end of the steering column.
  - Tap the cap nut with a hammer to secure it on the end of the steering column.
  - Pull up on the handlebar to make sure the assembly is secure.



- Fit the top half of the handlebar housing onto the bottom half of the handlebar housing.
- Insert three #8 x  $\frac{3}{4}$ " screws through the holes in the top half of the handlebar housing and tighten the screws with a Phillips screwdriver. Do not over-tighten.

# Assembly

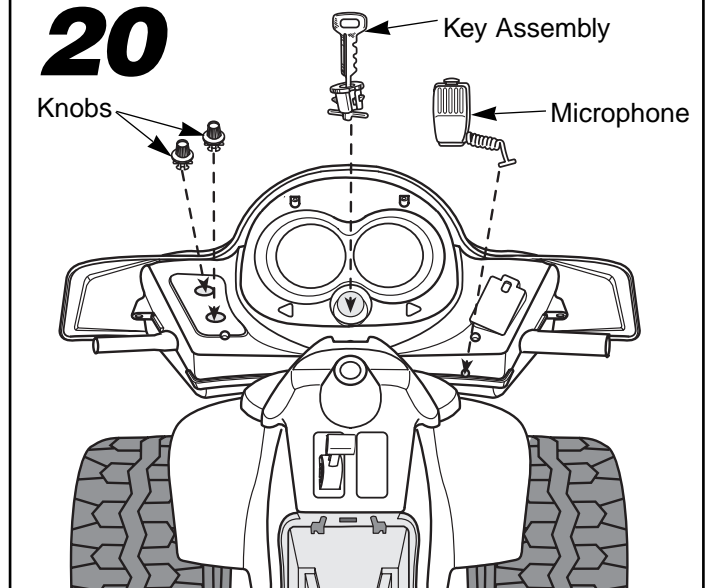
## 19



- Fit the front fairing onto the handlebar assembly. Make sure that the screw tabs on the handlebar assembly are aligned with the screw pegs on the front fairing.
- Insert four #8 x 3/4" screws through the top half of the handlebar housing and into the front fairing and tighten the screws with a Phillips screwdriver. Do not over-tighten.
- Insert two #8 x 3/4" screws up through the bottom half of the handlebar housing and into the front fairing and tighten the screws with a Phillips screwdriver. Do not over-tighten.

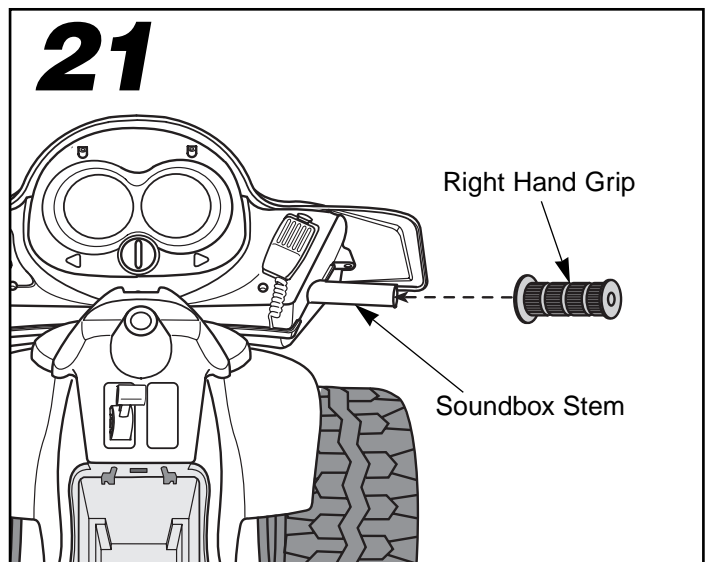
**Helpful Hint:** You may want to use a long screwdriver to tighten the screws going into the bottom half of the handlebar housing.

## 20



- Bend the plastic tip at the end of the microphone cord so that it forms a "T".
- Insert the plastic tip through the hole in the handlebar housing.
- Pull lightly on the microphone cord to make sure it is secure in the dash.
- Fit the tab on the back of the microphone into the hole in the center of the dash to hook it to the dash.
- Snap the key assembly into the large hole in the dash.
- Snap the radio knobs into the holes in the dash.

## 21



**Note:** The left and right handgrips are not interchangeable! The hole in the left handgrip is smaller than the hole in the right handgrip.

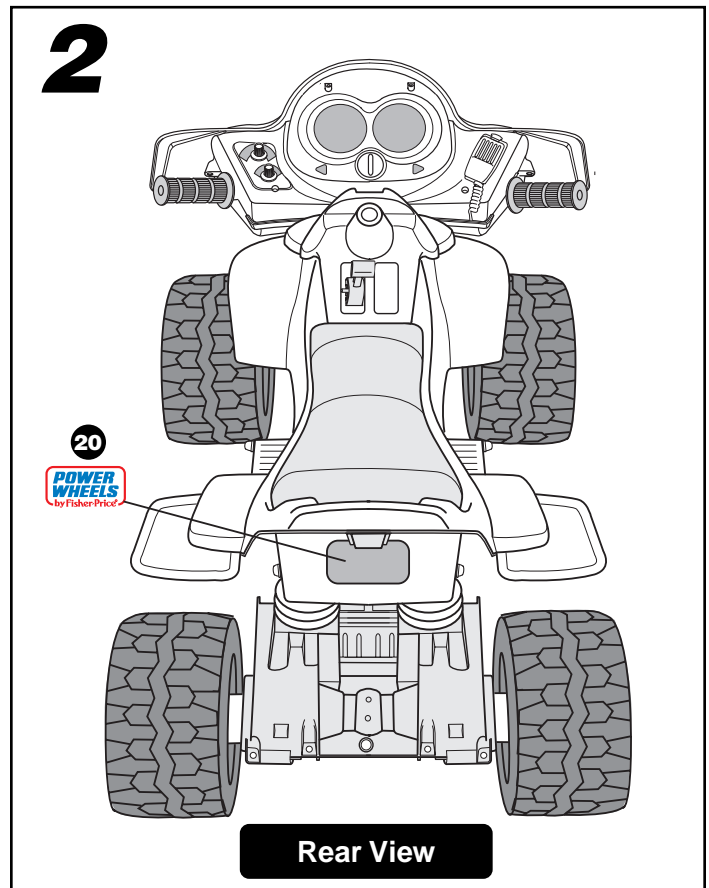
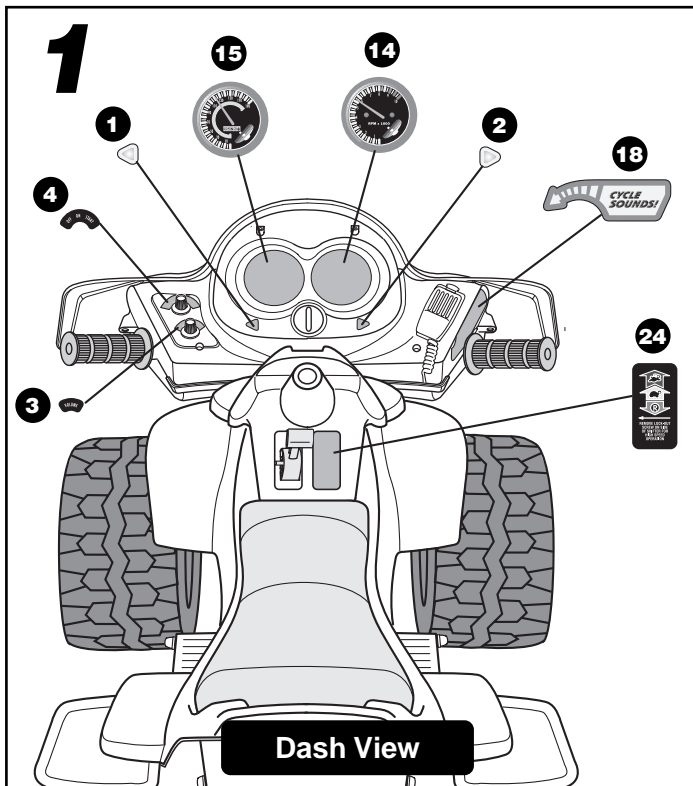
- Fit the right hand grip onto the soundbox stem on the right side of the handlebar. If it is difficult to slide the hand grip onto the soundbox stem, moisten the hand grip.
- Repeat this procedure to fit the left handgrip onto the left side of the handlebar.

# G

## Label Decoration

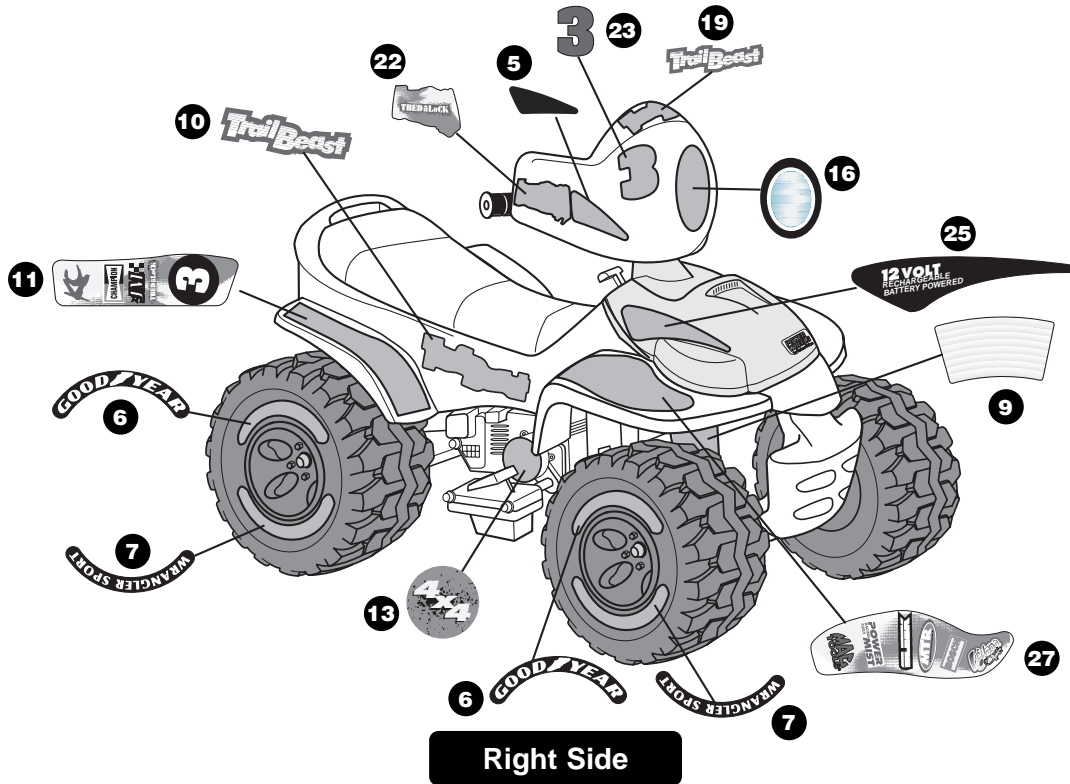
Proper label application will help to keep the labels looking their best! When applying labels, keep the following guidelines in mind:

- Wash your hands before applying the labels.
- Before applying the labels, wipe the surface of the vehicle with a clean, dry cloth to remove any dust or oils.
- Place the labels exactly as shown in the illustrations.
- For best results, avoid repositioning a label once it has been applied to the vehicle.
- **After applying a label, rub the label firmly with a clean, dry cloth to make sure the label is adhered to your vehicle. Start at the center of a label, and smooth towards the outer edges to remove air bubbles.**

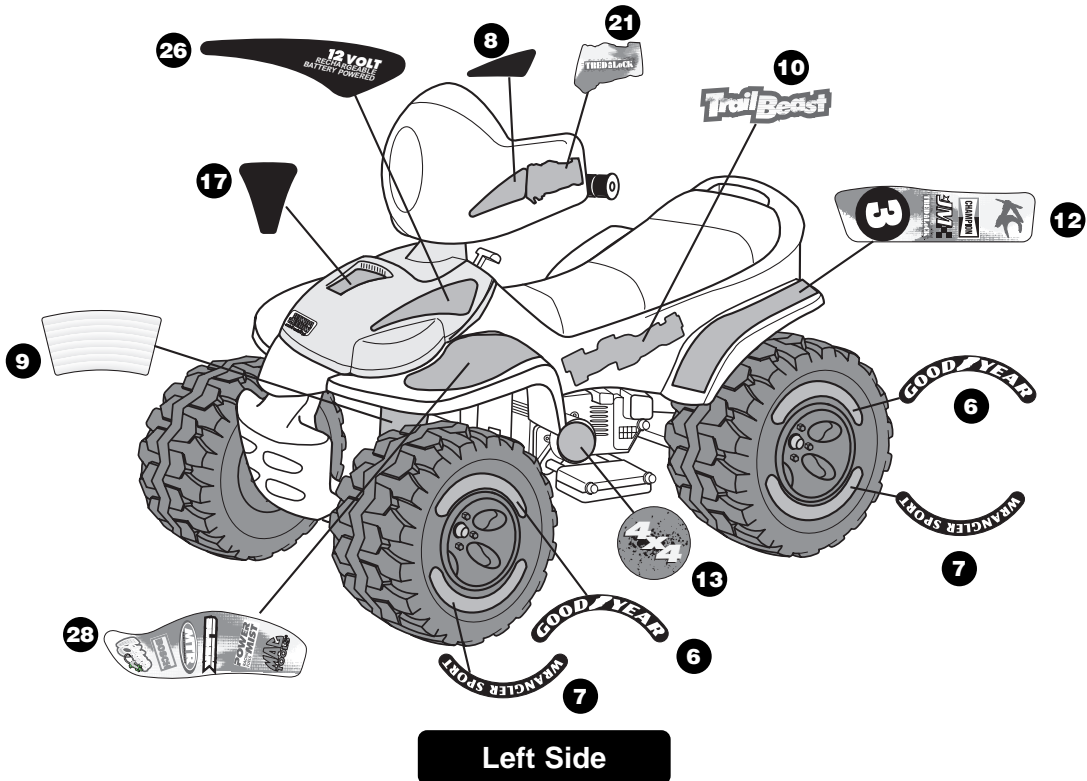


# Label Decoration

## 3



## 4

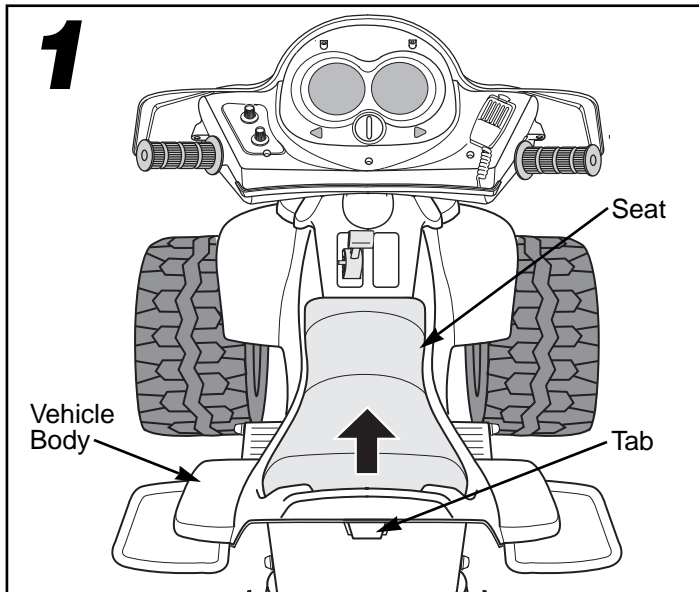




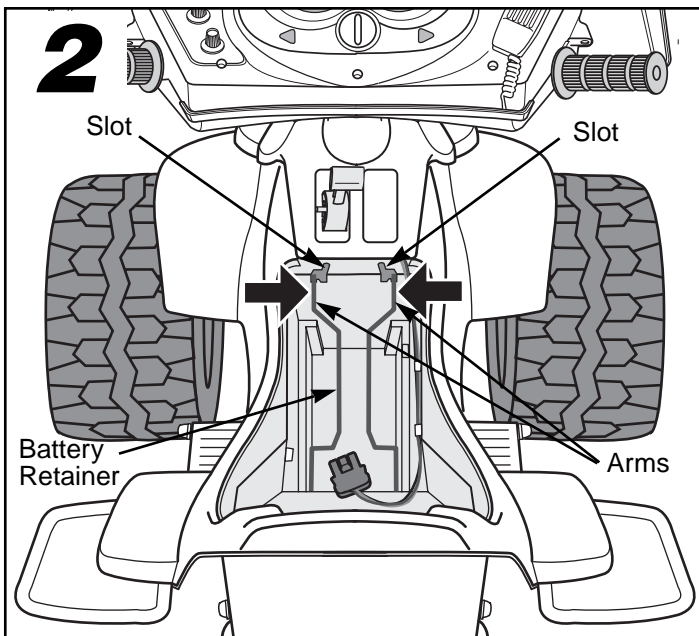
# H

## Battery Installation

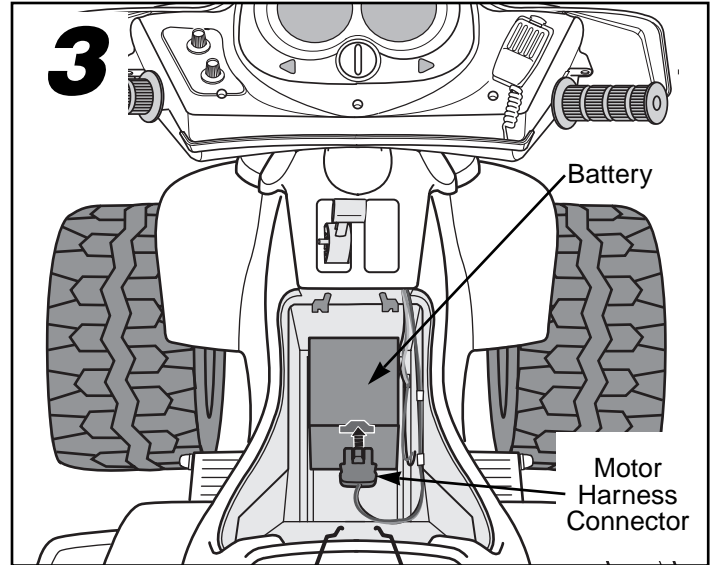
**Important Note:** Use only a Power Wheels® 12 volt battery with built-in thermal fuse. Use of any other battery will damage your vehicle. Make sure that you charge the battery for at least 18 hours using the enclosed Power Wheels® 12 volt charger before operating your vehicle for the first time. Charge the battery for at least 14 hours after each use of the vehicle. Never charge the battery longer than 30 hours. Failure to follow these instructions may damage your battery and will void your warranty.



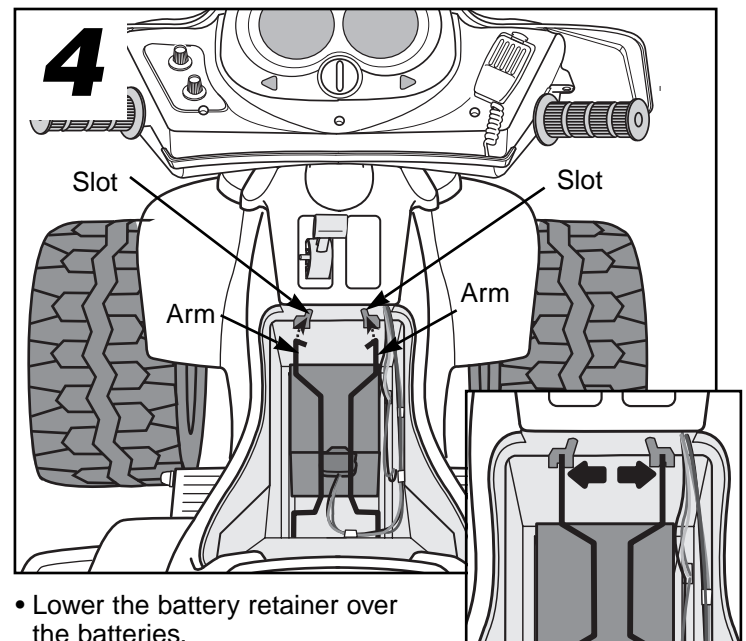
- Press the tab under the back of the seat and lift to remove the seat.



- Squeeze the battery retainer arms together to release the arms from the slots in the vehicle body.
- Press the battery retainer arms in and over the lock tabs and lift the battery retainer.



- Place the battery upright in the battery compartment.
- Plug the motor harness connector into the battery. Push firmly to join.



- Lower the battery retainer over the batteries.
- Fit the battery retainer arms down into the slots in the vehicle body.
- Press the battery arms out over the lock tabs to snap and secure the battery retainer arms in the slots.
- Re-assemble the vehicle seat.

# I

## Battery Care and Disposal

### Care

**If a battery leak develops**, avoid contact with the leaking acid and place the damaged battery in a plastic bag. See information below for proper disposal.

**If acid comes in contact with skin or eyes**, flush with cool water for at least 15 minutes and call a physician.

**If acid is internally ingested**, give water, milk of magnesia or egg whites immediately. Never give emetics or induce vomiting. Call a physician.

- Charge a new battery for at least 18 hours before first use. Never charge the battery longer than 30 hours. Overcharging or undercharging the battery may shorten battery life and decrease vehicle running time.
- After the first charge, recharge the battery for at least 14 hours after each use. Never charge the battery longer than 30 hours. Charge the battery after each use, regardless of how long the vehicle was used.
- The battery must be upright while charging.
- Do not allow the battery to run down completely before charging.
- Charge the battery before storing the vehicle.
- Charge the battery at least once per month, even if the vehicle has not been used.
- Leaving the battery in a discharged condition will ruin it.
- Always remove an exhausted battery from the vehicle. Battery leakage and corrosion can damage the vehicle.
- Do not store the battery on a surface which could be damaged by the acid contained inside the battery. Take precautions to protect the surface on which you store the battery.
- Do not store the battery in temperatures above 75° F or below -10° F.
- Prevent the battery from moving freely inside the battery compartment. Always use the battery retainer to secure the battery in the battery compartment.
- Examine the battery, charger and their connectors for excessive wear or damage each time you charge the battery. If damage is detected, do not use the charger or the battery until you have replaced the worn or damaged part.

## Battery Care and Disposal

### Disposal



- Your Power Wheels® battery is a sealed lead-acid battery. It must be recycled or disposed of in an environmentally sound manner.
- Do not dispose of a lead-acid battery in your regular, household trash. The incineration, landfilling or mixing of sealed lead-acid batteries with household trash is prohibited by law in most areas.
- Return the battery to a federal or state approved lead-acid battery recycler, such as a Power Wheels® authorized service center, or a local seller of automotive batteries. Contact your local waste management officials for other information regarding the environmentally sound collection, recycling and disposal of lead-acid batteries.

# J

## Caring For Your Vehicle

- Check all screws, retainers and their protective coverings regularly and tighten as required. Check plastic parts on a regular basis for cracks or broken pieces.
- During snowy or rainy weather, the vehicle should be stored inside or under a protective cover. Remember to charge the battery at least once per month while your vehicle is not in regular use.
- Avoid operating the vehicle in wet or snowy conditions, and do not spray the vehicle with a hose. Do not wash the vehicle with soap and water. Water or moisture in the motors or electrical switches can cause them to corrode, and could cause switch or motor failure.
- Avoid operating the vehicle on sand, loose dirt or gravel. Sand, loose dirt or gravel in the motors or electrical switches can cause them to jam, and could cause switch or motor failure.
- The vehicle can be wiped down with a soft, dry cloth. For a shiny finish, you can wipe plastic parts with a non-wax furniture polish applied to a soft-cloth. Do not use automotive wax. Do not use soap and water or spray the vehicle with a hose.
- To ensure that your vehicle stays in good operating order, we recommend that you periodically have your vehicle checked by a Power Wheels® authorized service center. See page 25 for the list of authorized service centers or call **1-800-348-0751** for the location of the authorized service center nearest you.



## WARNING

- Adult supervision is required. Children do not have the judgement necessary to avoid many accidents. Be sure that children operating this vehicle can do so safely and that they are supervised at all times.
- Never use near steps, driveways, steep inclines, roadways, alleys, swimming pool areas or other bodies of water.
- Always wear shoes or sneakers when operating this vehicle.
- Never allow more than one rider.
- The rider should sit on the seat when the vehicle is in operation.

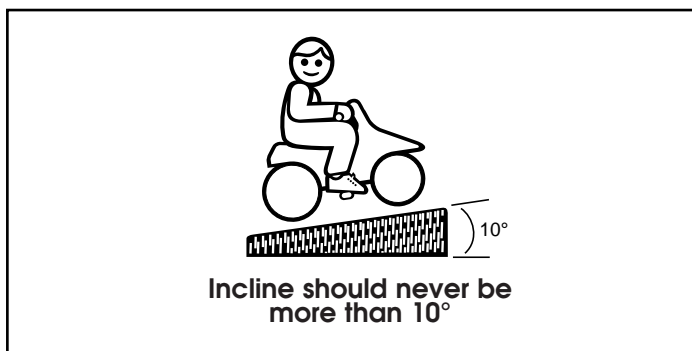
### Teach Safety Rules to Children

While children can quickly develop the skill necessary to drive this vehicle, it is important to remember that their judgment skills are still very immature. Unsupervised driving by children can lead to serious injury. Before children use this vehicle, an adult should carefully evaluate the driving area as well as the children's skill level and ability to drive this vehicle safely. Children are not always able to recognize or anticipate hazards, even when they have been taught about them. There is no acceptable substitute for adult supervision.

Teach appropriate safety rules to your child before allowing operation of this vehicle. These rules should also be reviewed with neighborhood children or other playmates who want to drive this vehicle.

1. Do not allow any child to drive the vehicle in the street or near moving (motorized) vehicles.
2. Do not allow any child to drive near bodies of water (such as pools or creeks), obstructions (such as furniture, low tree limbs or play equipment), or drop-offs (such as stairs or decks).
3. Do not allow any child to drive the vehicle in the dark. A child could encounter unexpected obstacles and have an accident. Operate the vehicle only in the daytime or in a well-lit area.

4. Teach your child to avoid driving on steep inclines or slopes. Restrict your child's driving to areas that are fairly level with gentle inclines or slopes of no more than 10°.
  - While driving down a steep slope, the vehicle may gain unsafe speed, even if the foot pedal is released to stop.
  - While driving across a steep slope, the vehicle may tilt and tip over. The wheels could lose traction, causing the vehicle to slip.
  - While driving up a steep incline, the motor may stop and the vehicle could roll backwards at an unsafe speed.



5. Do not operate this vehicle with more than one rider, seated on the seating area. A child who is not sitting on the seat or who is standing on the vehicle could fall off, cause a tip-over or block the driver's view. A child could be seriously injured.
6. Always wear shoes or sneakers when operating this vehicle.
7. Never put anything near any moving parts. Rotating parts such as motors, gear boxes and wheels can snag fingers, hair, etc., causing serious injury. Do not allow operation of the vehicle when it is on its side or in an upside-down position.
8. Do not operate the vehicle near flammable vapors (gasoline, paint thinner, acetone, liquid wax, etc.). The vehicle's electrical switches, like most electrical switches, emit an internal spark when first turned on or turned off. The presence of flammable liquids or vapors could cause an explosion or a fire. Keep all flammable products in tightly sealed containers and away from the vehicle.
9. Do not allow a child to operate the vehicle without proper adult supervision. To prevent unsupervised use of the vehicle, disconnect the motor harness from the battery when the vehicle is not in use.

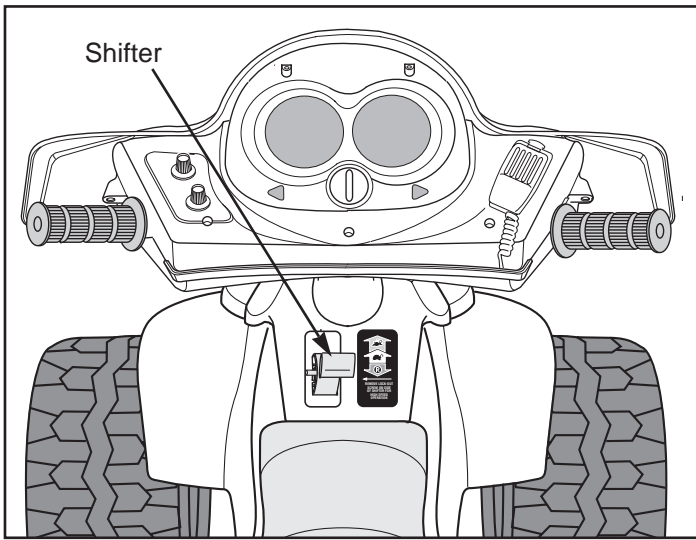
# L


## How to Operate Your Vehicle

As assembled, your vehicle is ready to roll in low speed (2½ mph, maximum). When your child is ready to drive the vehicle in high speed (5 mph, maximum), follow the instructions to disconnect the high speed lock-out.

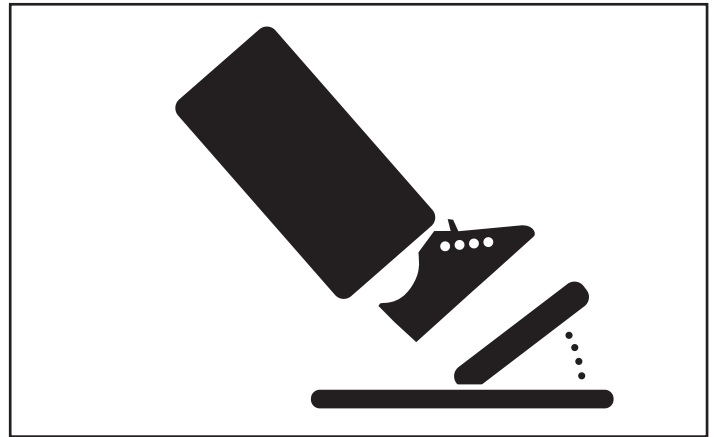
- Press the foot pedal. The vehicle will back-up at a maximum of 2½ mph.
- Help your child practice steering to learn how far and how quickly to turn the handlebar when driving in reverse.

### Beginner Use - Low Speed Drive



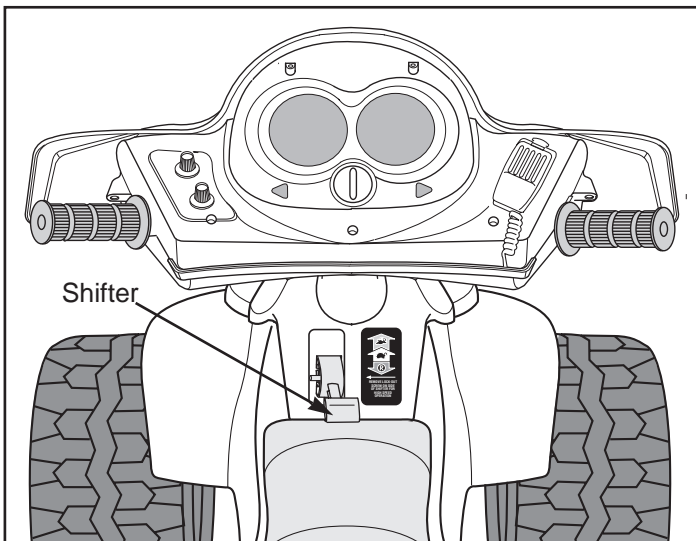
- Make sure the shifter is in the LOW SPEED position (  ).
- Press the foot pedal. The vehicle will drive forward at a maximum of 2½ mph.
- Help your child practice steering to learn how far and how quickly to turn the handlebar when driving forward in low speed.

### To Stop



- Your vehicle has a patented, electronic braking system that automatically stops the vehicle when your child's foot is lifted from the pedal.
- Make sure your child is comfortable with steering the vehicle and automatically knows how to stop.

### To Back Up



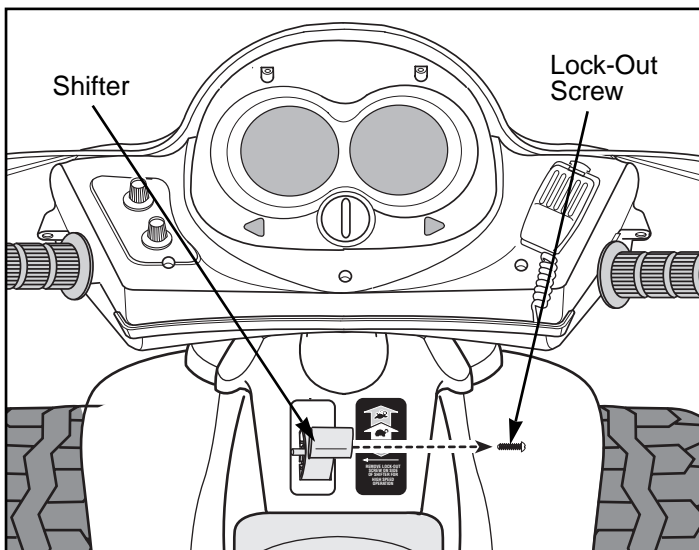
**Please Note:** To avoid damaging the motors and gears, make sure to stop the vehicle before switching from forward to reverse.

- Move the shifter to the REVERSE position (  ).

## How to Operate Your Vehicle

### Advanced Use - High Speed Drive

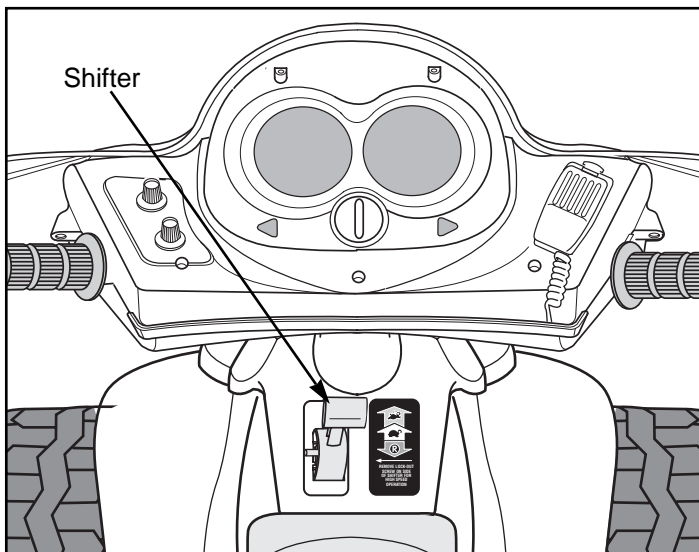
#### Disconnecting the High Speed Lock-Out




Before you disconnect the high speed lock-out, make sure your child knows how to start and stop the vehicle and knows the rules for safe driving. When the high speed lock-out is disengaged, the vehicle can be driven forward in low speed (2½ mph, maximum) or high speed (5 mph, maximum).

- Remove the lock-out screw from the shifter box using a Phillips screwdriver. Store the screw in the hole in the shifter for future use. You can re-insert the screw into the shifter box if you want to lock-out high speed and allow operation of the vehicle in low speed only.

#### To Drive



**Please Note: To avoid damaging the motors and gears, stop the vehicle before shifting between low and high speed.**

- Make sure the shifter is in the HIGH SPEED position (  ).
- Press the foot pedal. The vehicle will drive forward at a maximum of 5 mph.

## How to Operate Your Vehicle

- Help your child practice steering to learn how far and how quickly to turn the handlebar when driving forward in high speed.
- Stopping in high speed is the same as stopping in low speed. The vehicle automatically stops when your child's foot is lifted from the pedal.

# M

### Bumper-to-Bumper\* Limited Warranty

**\*One year limited warranty from the date of purchase on the Power Wheels® vehicle.**

**Six month limited warranty on 12 volt battery.**

For the original purchaser, this one year limited warranty covers the Power Wheels® ride-on vehicle (purchased from Power Wheels®) against defects in materials and workmanship. The six month limited warranty applies only to the 12 volt battery included by Power Wheels® with the original purchase of the vehicle.

This warranty covers normal use and does not cover the Power Wheels® vehicle or battery if it has been damaged by unreasonable use, neglect, accident, abuse, misuse, improper service or other causes not arising out of defects in materials or workmanship. Evidence of any attempt at consumer repair will void this warranty. This warranty does not cover, and is intended to exclude, any liability on the part of Power Wheels®, whether under this warranty or implied by law, or any indirect or consequential damages for breach of warranty. Some states do not allow the exclusion or limitation, so this limitation may not apply to you.

Should you need service or assistance with your vehicle during the warranty period, **do not return the vehicle to the store.** Power Wheels® has provided a nationwide network of authorized service centers. Please refer to the list in this manual. Power Wheels® is continually expanding our Authorized Service Center Network. If there is not an authorized service center in your area, please call Consumer Affairs for information, **1-800-348-0751.**

This warranty gives you specific legal rights, and you may also have other rights which may vary from state to state.

**Please save your original sales receipt.**

# N

## Problems and Solutions Guide

**IMPORTANT!** If you experience a problem with your vehicle, first check the Problems and Solutions Guide below. If you still experience a problem, please contact Power Wheels® Consumer Affairs, toll-free at **1-800-348-0751** between 8 AM and 5 PM (EST) Monday through Friday. Or, contact your local Power Wheels® authorized service center. For the location nearest you, please refer to the Authorized Service Center list beginning on page 25.

Problem	Possible Cause	Solution
Vehicle does not run	Undercharged battery	Charge the battery. A new battery should have been charged for at least 18 hours before using the vehicle for the first time. After first-time use, recharge the battery for at least 14 hours after each use. Never charge the battery longer than 30 hours.
		Check all connectors. Make sure the charger connector is plugged into the battery, and that the charger is plugged into the wall.
		Make sure power flow to the wall outlet is "ON".
	Charger is not working	There is no sure way to tell if your charger is working unless you have a volt meter. If you suspect there is a problem with your charger, contact your local Power Wheels® authorized service center. They can test your charger for you.
	Tripped thermal fuse	Each Power Wheels® 12 volt battery has a built-in thermal fuse. A thermal fuse may "trip" and shut down operation of the vehicle if the vehicle is overloaded or the driving conditions too severe. The fuse will automatically reset itself after approximately 25 seconds, allowing the vehicle to resume normal operation. To avoid repeated automatic shutdowns, do not overload the vehicle by exceeding the 65 lb. maximum weight capacity or by towing anything behind the vehicle. Avoid severe driving up very steep hills or running into fixed objects, which can cause the wheels to stop spinning while power is still being supplied to the motors. If a thermal fuse continually trips, contact your local Power Wheels® authorized service center.
	Loose wire or loose connectors	Check all wires and connectors. Make sure the motor harness connector is plugged into the battery, and that there are no loose wires around the motors.
	Dead battery	If your battery is old or if you have not followed Battery Care instructions, your battery may be dead. If you are unsure whether or not the battery is dead, you can have it tested at your local Power Wheels® authorized service center.
	Electrical switch damage	The electrical switches can become corroded due to exposure to water or moisture, or can jam due to loose dirt, sand or gravel. Contact your local Power Wheels® authorized service center for diagnosis and repair.
Motor damage	Contact your local Power Wheels® authorized service center for diagnosis and repair.	

# Problems and Solutions Guide

Problem	Possible Cause	Solution
Vehicle was running but suddenly stopped	Loose wire or loose connectors	Check all wires and connectors. Make sure the motor harness connector is plugged into the battery, and that there are no loose wires around the motors.
	Tripped thermal fuse	Each Power Wheels® 12 volt battery has a built-in thermal fuse. A thermal fuse may "trip" and shut down operation of the vehicle if the vehicle is overloaded or the driving conditions too severe. The fuse will automatically reset itself after approximately 25 seconds, allowing the vehicle to resume normal operation. To avoid repeated automatic shutdowns, do not overload the vehicle by exceeding the 65 lb. maximum weight capacity or by towing anything behind the vehicle. Avoid severe driving up very steep hills or running into fixed objects, which can cause the wheels to stop spinning while power is still being supplied to the motors. If a thermal fuse continually trips, contact your local Power Wheels® authorized service center.
Short run time (Less than 1 - 3 hours per charge)	Undercharged battery	Charge the battery. A new battery should have been charged for at least 18 hours before using the vehicle for the first time. After first-time use, recharge the battery for at least 14 hours after each use. Never charge the battery longer than 30 hours.
		Check all wires and connectors. Make sure the charger connector is plugged into the battery, and that the charger is plugged into the wall.
		Make sure power flow to the wall outlet is "ON".
	Overcharged battery	Do not charge the battery longer than 30 hours. If you suspect that your battery is damaged as a result of overcharging, contact your local Power Wheels® authorized service center. They can test your battery for you.
	Battery is old and will not accept full charge	Even with proper care, a rechargeable battery does not last forever. Average battery life is 1 to 3 years depending on vehicle use and use conditions. Replace the battery with a new Power Wheels® 12 volt rechargeable battery. For best performance, do not use substitute parts.
	Tripped thermal fuse	Each Power Wheels® 12 volt battery has a built-in thermal fuse. A thermal fuse may "trip" and shut down operation of the vehicle if the vehicle is overloaded or the driving conditions too severe. The fuse will automatically reset itself after approximately 25 seconds, allowing the vehicle to resume normal operation. To avoid repeated automatic shutdowns, do not overload the vehicle by exceeding the 65 lb. maximum weight capacity or by towing anything behind the vehicle. Avoid severe driving up very steep hills or running into fixed objects, which can cause the wheels to stop spinning while power is still being supplied to the motors. If a thermal fuse continually trips, contact your local Power Wheels® authorized service center.

# Problems and Solutions Guide

Problem	Possible Cause	Solution
Vehicle runs sluggishly	Undercharged battery	Charge the battery. A new battery should have been charged for at least 18 hours before using the vehicle for the first time. After first-time use, recharge the battery for at least 14 hours after each use. Never charge the battery longer than 30 hours.
		Check all connectors. Make sure the charger connector is plugged into the battery, and that the charger is plugged into the wall.
		Make sure power flow to the wall outlet is "ON".
	Battery needs charging	After approximately 3 hours of constant use, the battery needs charging.
	Battery is old and will not accept full charge	Even with proper care, a rechargeable battery does not last forever. Average battery life is 1 to 3 years depending on the vehicle use and use conditions. Replace the battery with a new Power Wheels® 12 volt rechargeable battery. For best performance, do not use substitute parts.
	Vehicle is overloaded	Make sure you do not overload the vehicle by allowing more than one rider at one time, by exceeding the 65 lb. maximum weight capacity, or by towing objects behind the vehicle.
	Driving conditions are too stressful	Use only on gentle inclines or slopes of 10° or less.
Vehicle runs in low speed, but does not run in high speed  (Please Note: The vehicle is designed to operate in low speed only in reverse [♥].)	High speed lock-out not disconnected	The vehicle was pre-set to run only in low speed. To allow the vehicle to run in low and high speed, you must disconnect the High Speed Lock-Out. <b>Follow the instructions on page 21 to remove the High Speed Lock-Out screw.</b>
When the foot pedal is pressed only one rear wheel spins	Operation of vehicle in low speed	It is possible that only one rear wheel may spin when both rear wheels are raised off the ground and the vehicle is in low speed. This does not necessarily indicate a problem. Check for proper operation of the drive system by raising the rear wheels off the ground and pressing the foot pedal. If only one rear wheel spins, carefully press your hand on the spinning wheel to slow it down. The other rear wheel should begin to spin. If the other rear wheel does not begin to spin, there may be a problem with the vehicle. Contact your local Power Wheels® authorized service center for diagnosis and repair.
Sometimes the vehicle doesn't run, but other times it does	Loose wire or connector	Check all wires around the motors and all connectors to make sure they are tight.
	Motor or electrical switch damage	Contact your local Power Wheels® authorized service center for diagnosis and repair.



# Problems and Solutions Guide

Problem	Possible Cause	Solution
When the foot pedal is pressed, the vehicle won't run without a push	Loose wire or connector	Check all wires around the motors and all connectors to make sure they are tight.
	"Dead Spot" on motor	Contact your local Power Wheels® authorized service center for diagnosis and repair.
Loud clacking or grinding noise from a motor-gearbox	Broken gears	Contact your local Power Wheels® authorized service center for diagnosis and repair.
Charger gets warm during use	It is normal for some chargers to get warm during use and is not reason for concern.	No action required.  If your charger does not get warm during use, it does not mean that it is not working properly.
Battery makes a sizzling or gurgling noise when charging	It is normal for some batteries to make noise and swell slightly while charging and is not reason for concern.	No action required.  If your battery does not make noise or swell slightly during charging, it does not mean that it is not accepting the charge.

If, after reviewing the Problems and Solutions Guide, the vehicle still fails to operate, please contact your nearest authorized service center or contact Power Wheels® Consumer Affairs toll-free at **1-800-348-0751**.

# O

## Authorized Service Centers

We are continually expanding our Authorized Service Center Network. Please check this listing for the Authorized Service Center nearest you. If there is not one in your area, please call Power Wheels® Consumer Affairs at **1-800-348-0751**.

### ALABAMA

**BIRMINGHAM** - Frigid Service & Sales, 701 Graymont Ave. North, 35203, (205) 323-5831  
**BIRMINGHAM** - Frigid Service & Sales, 1861 Centerpoint Rd., 35215, (205) 853-3952  
**BIRMINGHAM (HOMEWOOD)** - D & R Appliance Company, 154 West Valley Ave., 35209, (205) 942-3959  
**DECATUR** - Peddler II, 1000 B Beltline Road, 35603, (205) 350-1044  
**DOTHAN** - Bill's Appliance Service, 208 Bic Road, P.O. Box 1192, 36303, (334) 792-7746  
**DOUGLAS** - Brown Hardware, Highway 75, 35964, (205) 593-6086  
**HUNTSVILLE** - C & G Appliance, 307 Jordan Lane, 35805, (205) 837-4551  
**MOBILE** - Foster's Appliance Repair, 1660 South Beltline Highway, 36693, (334) 666-2670  
**MONTGOMERY** - Acme Service Co., 2603 Highland Ave., 36107, (334) 264-2456

### ALASKA

**ANCHORAGE** - Ken's Electronics Service, 360 E. Inter-national, Ste. 8, 99518, (907) 562-3443

### ARIZONA

**GLENDALE** - Elliott Electric Appliance Service, 6242 N. 43rd Avenue, 85301, (602) 937-2613  
**SCOTTSDALE** - Elliott Electric, 7515 E. McDowell Road, 85257, (602) 946-7487  
**TUCSON** - Arizona Small Appliance Service Co., 5033 E 5th Street, 85711, (520) 325-3988

### ARKANSAS

**FT. SMITH** - Bromley Appliance Service, 614 North 10th Street, 72901, (501) 782-9646  
**HOT SPRINGS**, The Battery Center, 400 Airport Road, 71913, (501) 624-7144  
**JONESBORO** - Best Sewing & Vacuum & Repair, 2235 S. Caraway Road, 72401, (501) 935-4739, (800) 844-4739  
**LITTLE ROCK** - C & W Tool Repair, 1303 W. Markham, 72201, (501) 374-1911

**MENA** - Bearcat Starter & Alt., 902 Highway 71 South, 71953, (501) 394-0320  
**ROGERS** - Kressel's Vacuum & Repair, 115 North 5th Street, 72756, (501) 636-7894  
**STUTT GART** - Davis Lumber Company, 301 East Michigan, 72160, (501) 673-3601

### CALIFORNIA

**ANDERSON** - Hardware Express/ Do It Best, 2681 Balls Ferry Road, 96007, (916) 365-3783  
**BAKERSFIELD** - Southwest TV, 6300 White Lane, Suite B, 93309, (805) 397-4940  
**CONCORD** - California Electric Service Center, 1170-G Burnett Avenue, 94520, (510) 827-1011  
**COVINA** - California Electric Service Center, 612 Shoppers Lane, 91723, (818) 915-4935  
**DUBLIN** - California Electric Service, 8947 San Ramon Road, 94568, (510) 551-3390  
**FONTANA** - California Electric Service Center, 9794 Sierra Avenue, 92335, (909) 355-2500  
**FORT JONES** - Ft. Jones Frontier Hardware, 11911 Main Street, 96032, (916) 468-2266  
**FRESNO** - Valley Small Appliance, 4005 E. Ashlan Avenue, 93726, (209) 224-5530  
**FULLERTON** - California Electric Service Center, 1208 E. Ash Avenue, 92631-5020, (714) 870-0900  
**LOS ALAMITOS** - California Electric Service Center, 11284 Los Alamitos Blvd., 90720, (562) 430-2668  
**MERCED** - Moosehead Electronics, 920 W. 18th Street, 95340, (209) 723-4712  
**MISSION VIEJO** - California Electric Service Center, 23725 Via Fabricante, Unit B, 92691, (714) 586-9440  
**OAKLAND** - California Electric Service Center, 1139 E. 12th Street, 94606, (510) 834-1050  
**OXNARD** - Tiny's Inc., The Clean-up Store, 1237 Saviers Road, 93033, (805) 487-9401, (800) 845-3223  
**PASADENA** - California Electric Service Center, 2594 E. Colorado Blvd., 91107, (818) 792-3194  
**SACRAMENTO** - California Electric Service Center, 1821 "Q" Street, 95814, (916) 443-5711

**SALINAS** - SRS Hobbies, 1038A North Davis Road, 93907, (408) 424-4044  
**SAN CARLOS** - California Electric Service Center, 990 Industrial Road, Suite 102, 94070, (415) 593-6696  
**SAN DIEGO** - California Electric Service Center, 3430 El Cajon Blvd., 92104, (619) 283-6488  
**SAN FRANCISCO** - California Electric Service Center, 1090 Bryant Street, 94103, (415) 431-8494  
**SAN JOSE** - California Electric Service Center, 481 So. Bascom, 95126, (408) 295-1723  
**SANTA ANA** - California Electric Service Center, 2025 South Main Street, 92707, (714) 641-0529  
**SANTA ROSA** - Hardisty's Inc., 710 Farmers Lane, 95405, (707) 545-0535  
**STOCKTON** - California Electronics, 929 North Yosemite Street, 95203, (209) 466-5432  
**TEMECULA** - California Electric Service Center, 41715 Enterprise Circle North, Suite 101, 92590, (909) 695-5445  
**VAN NUYS** - California Electric Service Center, 14753 Oxnard Blvd., 91411, (818) 997-8855  
**WEST LOS ANGELES** - California Electric Service Center, 2314 S. Westwood Blvd., 90064, (310) 475-2532  
**YUCAIPA** - Aire-Rite Heating & A/C, 34724 Yucaipa Blvd., 92399, (909) 797-2788

### COLORADO

**COLORADO SPRINGS** - Nelson Appliance Repair, Inc., 1220 E. Fillmore, 80907, (719) 635-1928, (800) 291-8010  
**DENVER** - Appliance Service, 4262 Lowell Blvd., 80211, (303) 458-1109, (800) 631-0941 (CO, WY only)  
**DENVER (ENGLEWOOD)** - Appliance Service, 3932 S. Broadway, 80110, (303) 781-1227, (800) 553-1864  
**GRAND JUNCTION** - V & L Appliance Service, 591 25 Road Suite A6, 81506, (970) 243-3360

### CONNECTICUT

**HARTFORD** - Hartford Element & Appliance Service, 1500 Albany Avenue, 06112, (860) 246-7424, (800) 787-7977  
**NEW HAVEN (HAMDEN)** - New Haven Appliance Service Center, 1627 Dixwell Avenue, 06514, (203) 288-6229





# Authorized Service Centers

**AUSTIN** - Harrell Supply and Service, Inc., 1409 West Oltorf, 78704, (512) 442-5966

**AUSTIN (ROUND ROCK)** - Harrell Supply, 907c Interstate Highway 35, 78664, (512) 388-0866

**CORPUS CHRISTI** - Brand Appliance & Microwave, 2751 South Staples, 78404, (512) 854-1851

**DALLAS** - Pearsol Appliance Co., 3127 Main Street, 75226, (214) 939-0930

**DALLAS** - All Type Sales and Service Co., Inc., 2835 Irving Blvd., 75207, (214) 638-1170, (800) 717-1170

**FT. WORTH** - Ft. Worth Shaver and Appliance Center, 1012 West 7th Street, 76102, (817) 335-9970

**HOUSTON** - Brand Service Center, 5727 Richmond Avenue, 77057, (713) 782-8910

**HOUSTON** - Brand Service Center, 1970 FM 1960, 77090, (713) 537-7795

**LAREDO** - Rubio Electric, 1719 San Bernardo, 78040, (210) 722-3908

**LONGVIEW** - Toys and Things, 918 NW Loop 281, 75604, (903) 759-3939

**LUBBOCK** - Minter's, 4409 50th Street, 79414, (806) 799-3170

**LUFKIN** - STS Audio and Video, 1505 South First Street, 75901, (409) 639-4529

**MC ALLEN** - All-In-One Repair Shop, 2313 Lark Avenue, 78504, (210) 682-8858

**MIDLAND** - Midland Tool Specialty, 918 South Main, 79701, (915) 682-4647, (800) 499-0755

**PASADENA** - Larry's TV Service, 3520 Fairmont Parkway, 77504, (713) 998-0122, (800) 244-0281

**ROMA** - True Value Hardware, 1004 E. Highway 83, (210) 849-1322

**SAN ANTONIO** - Brand Service Center, 7065 San Pedro Avenue, 78216, (210) 344-8577

**SEYMOUR** - Western Auto, 211 N. Main Street, 76308, (817) 888-3980

**TEMPLE** - Master Tech Repairs, 2819 West Avenue North, 76504, (817) 773-8991

**VICTORIA** - Tom's Video Service, 211 East Anaqua, 77901, (512) 576-0664, (800) 433-0664

**WICHITA FALLS** - Burke's Appliance Service, 2410 10th Street, 76309, (817) 723-6211

## UTAH

**OREM** - The Mending Shed, 1735 South State Street, 84058, (801) 225-8012, (800) 339-9297

**SALT LAKE CITY** - Appliance Service Center, Inc., 210 East 6th South, 84111, (801) 328-9703

## VERMONT

**RUTLAND** - Appliance Service Center Ltd., 152 Woodstock Avenue, 05701, (802) 773-8917

## VIRGINIA

**FREDERICKSBURG** - Logan Electric Service, Inc., 98 Industrial Drive, 22408, (540) 898-8873

**HARRISONBURG (PENN LAIRD)** - J.L. Maintenance & Repair, Inc., Route 2, Box 308, 22846, (540) 289-9844

**NEWPORT NEWS** - Commonwealth Electric Shaver Sales & Service, Inc., 10105 Jefferson Ave., 23605, (757) 595-6712

**NORFOLK** - Commonwealth Electric Shaver Sales & Service, Inc., 6612 E. Virginia Beach Blvd., 23502, (804) 461-4475

**ROANOKE** - Commonwealth Shaver & Appliance Service, 5524 Williamson Road, NW, 24012, (540) 366-6038

**SOUTH BOSTON** - South Boston True Value, 307 Broad Street, 24592, (804) 572-6666

**VIENNA** - Appliance Fix-It, 8455 Tyco Road, 22182, (703) 893-1234

**WINCHESTER** - Battery Mart of Winchester, Inc., 1 Battery Dr., 22601, (703) 655-0065

**WOODBIDGE** - Baker's Appliance, 13314 Occoquan Road, 22191, (703) 490-5605

## WASHINGTON

**SEATTLE** - Ajax Electric, 2911 First Avenue South, 98134, (206) 622-9945

**SEATTLE (BELLEVUE)** - Action Small Appliance Service, 1500 145th Place, SE, 98007, (206) 643-9806

**SPOKANE** - SPARCO, West 45 2nd Avenue, 99204, (509) 624-8965

**SPOKANE** - SPARCO, N. 1119 Pines Rd., 99206, (509) 922-9666

## WEST VIRGINIA

**BECKLEY** - Jerry's Detectors, Vacuum & Appl. Svc., 411 Second Street, 25801, (304) 253-3521

**CHARLESTON** - Sneed's Vacuum & Sewing Center, 2614 7th Avenue, 25312, (304) 744-3670, (800) 245-8048 (WV only)

**HARRISVILLE** - Western Auto, 1107 E. Main St., 26362, (304) 643-2226

**HUNTINGTON** - Mike's Appliance and Service, 212 20th Street, 25703, (304) 522-0737

**MARTINSBURG** - Battery Mart, 1161-3 Winchester Avenue, 25401, (304) 267-7033, (800) 464-7918

**WHEELING** - Fast Service Center, 1058 Main Street, 26003, (304) 232-5561 (800) 874-4090

## WISCONSIN

**APPLETON** - G/Tech Electric Tool & Housewares Service, 600 W. College Ave., 54911, (414) 739-6064, (800) 400-6064

**GREENBAY** - Kastle Carts, Inc., 2301 N. Irwin Ave., 54313, (414) 465-6121

**LACROSSE** - Paul's Shaver Service, 1224 Caledonia Street, 54603, (608) 782-6291

**MADISON (MONONA)** - Kiefer's Shaver and Appliance, 4511 Monona Drive, 53716, (608) 221-3322

**MAUMETTE** - Della Do-It Center, W 1536 Highway 41, 54143, (715) 732-1768

**MILWAUKEE** - Brand Appliance Repair, Inc., 3707 North 92nd Street, 53222, (414) 461-0440

**MILWAUKEE** - Brand Appliance Repair, Inc., 6000 W. Oklahoma Street, 53219, (414) 541-4340



Over 400 Authorized  
Service Centers

## Do Not Return Your Vehicle to the Store

If you are missing parts or need assistance,  
please call us toll-free:

**Power Wheels Consumer Affairs**

**1-800-348-0751**

**8 AM - 5 PM EST, Monday through Friday**

Or contact your local Power Wheels® Authorized Service Center.



For the location nearest you, refer to the  
Authorized Service Center list in this manual.

Bosch is a registered trademark of Robert Bosch GmbH used under license.

Champion trademark used under license from Champion Spark Plug Company.

Goodyear (and winged foot design) and Wrangler (for tires) are trademarks of The Goodyear Tire & Rubber Company, used with permission.

Mac Tools® is a registered trademark of The Stanley Works.

Fisher-Price, Power Wheels by Fisher-Price, Power Sounds Grip and Trail Beast are U.S. trademarks of Mattel, Inc.

Fisher-Price, Inc., a subsidiary of Mattel, Inc., East Aurora, New York 14052 U.S.A.

©2000 Mattel, Inc. All Rights Reserved.

## Free Manuals Download Website

<http://myh66.com>

<http://usermanuals.us>

<http://www.somanuals.com>

<http://www.4manuals.cc>

<http://www.manual-lib.com>

<http://www.404manual.com>

<http://www.luxmanual.com>

<http://aubethermostatmanual.com>

Golf course search by state

<http://golfingnear.com>

Email search by domain

<http://emailbydomain.com>

Auto manuals search

<http://auto.somanuals.com>

TV manuals search

<http://tv.somanuals.com>