



Product features and decoration may vary from the picture above.

# Jeep **SANDBLASTER**<sup>TM</sup>

## Owner's Manual with Assembly Instructions

Please read this manual and save it with your original sales receipt.

For Model 74526

Tools needed for assembly: Cap Nut Assembly Tool (included), Phillips Screwdriver, Hammer, and Safety Scissors (not included). Use only with Power Wheels® 12 Volt Lead-acid Rechargeable Battery and Power Wheels® 12 Volt Charger with Type "12V" Connector (included). Requires three size "AA" alkaline batteries (not included) for sound box.

[www.fisher-price.com](http://www.fisher-price.com)

# Table of Contents

A	Important Information	.2
B	Warnings	.3
C	Parts	.4
D	Parts Diagram	.8
E	Battery Charging	.10
F	Assembly	.12
G	Label Decoration	.22
H	Battery Installation	.23
I	Battery Care and Disposal	.24
J	Rules for Safe Driving	.25
K	How to Operate Your Vehicle	.26
L	Caring for Your Vehicle	.27
M	Problems and Solutions Guide	.28
N	Limited Warranty	.32
O	Authorized Service Centers	.32

## A

## Important Information

- Your new vehicle requires adult assembly. Please set aside at least 60 minutes for assembly.
- You must charge your battery for 18 - 30 hours **before you use your vehicle for the first time.** We recommend that you start charging your battery before beginning assembly. Please see Battery Charging beginning on page 10 for detailed instructions.
- Read this manual carefully for important safety information and operating instructions before using your vehicle.
- This vehicle is designed for use on grass, asphalt or other hard surfaces, on hills or flat terrain, by children 3 years of age and older.
- This vehicle has adjustable play seat belts. Please note that the adjustable seat belts are designed to be a play feature only and do not function as protective safety restraints.
- To prevent damaging the motors and gears, do not tow anything behind the vehicle or overload it. Do not exceed the maximum weight capacity of 130 lb. (60 kg).
- For safety reasons, your vehicle has been pre-set so that it will only operate at low speed. **You must remove the high speed lock-out screw to allow operation of the vehicle at high speed.** Please see page 27 for detailed instructions.
- If you have any questions about your Power Wheels® vehicle, please call our toll-free service lines at **1-800-348-0751** from 8 AM to 5 PM (EST) Monday through Friday. Trained customer service representatives are available to take your call in English or French. Habla Español? Si usted tiene alguna pregunta ó necesita asistencia llame gratis **1-800-348-0755** para los Estados Unidos. Tenemos representantes que hablan español para atender su llamada.
- For your convenience, Power Wheels® maintains an Authorized Service Center Network with more than 400 authorized service centers nationwide. Our authorized service centers will repair or replace parts under warranty at no extra charge, and can perform non-warranty repairs for a minimal charge. Please see the Authorized Service Center list beginning on page 32 to find the authorized service center nearest you, or call **1-800-348-0751**.
- Please complete and return the enclosed Registration Card today, or call **1-800-348-0751** to register your vehicle by phone.

 **WARNING**

- Children can be harmed by small parts, sharp edges and sharp points in the vehicle's unassembled state, or by electrical items. Care should be taken in unpacking and assembly of the vehicle. Children should not handle parts, including the battery, or help in assembly of the vehicle.
- Keep small parts and plastic bags out of children's reach. Dispose of plastic bags properly.
- Adult supervision is required. Children do not have the judgement necessary to avoid many accidents. Be sure that children operating this vehicle can do so safely and that they are supervised at all times.
- Never use near steps, driveways, steep inclines, roadways, alleys, swimming pool areas or other bodies of water.
- Always wear shoes or sneakers when operating this vehicle.
- Never allow more than two riders; one driver and one passenger.
- The riders should sit on the seat when the vehicle is in operation.
- **Hot** motors. Handle carefully.
- Never alter this vehicle or its electrical system in any way. Alterations could cause a fire resulting in injury and could also ruin the electrical system.
- Use of the wrong type battery or charger could cause a fire or explosion, resulting in serious injury.
- Use of Power Wheels® components in products other than Power Wheels® vehicles could cause overheating, fire or explosion.
- The battery must be handled by adults only. The battery is heavy and contains sulfuric acid (electrolyte). Dropping the battery could result in serious injury.
- Read the cautions on the back panel of the battery.
- Never allow children to charge the battery. Battery charging must be done by adults only. A child could be injured by the electricity involved in charging the battery.
- Examine the battery, charger and its connector for excessive wear or damage each time you charge the battery. If damage or excessive wear is detected, do not use the vehicle until you have replaced the worn or damaged part as it could possibly cause a fire resulting in injury.

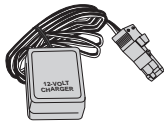
 **CAUTION**

- This package contains small parts. Adult assembly is required.
- Use the charger dry locations only.

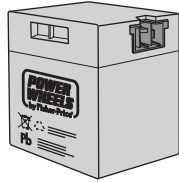
# C

## Parts

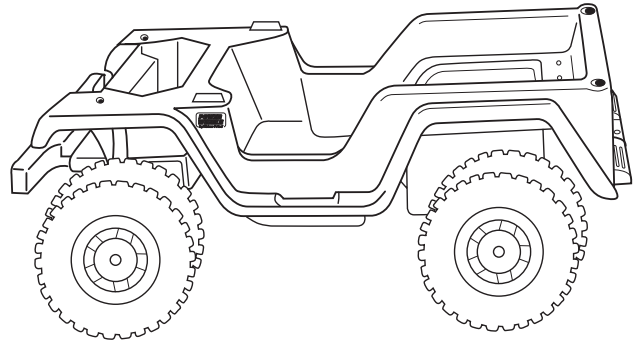
- If you experience a problem with this product, or are missing a part, please call us at **1-800-348-0751**, rather than return this product to the store.
- Please identify all parts before assembly and save all packaging material until assembly is complete to ensure that no parts are discarded.
- Metal parts have been coated with a lubricant to protect them during shipment. Wipe all metal parts with a paper towel to remove any excess lubricant.



12 Volt Charger



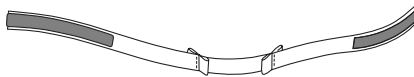
12 Volt Battery



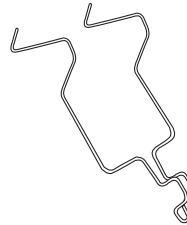
Vehicle Body



Short Seat Belt Strap - 2



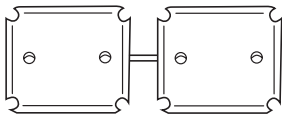
Long Seat Belt Strap



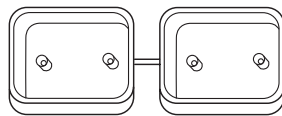
Battery Retainer



Gas Cap



Taillight Lens Set



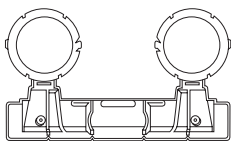
Taillight Housing Set



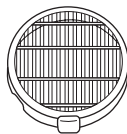
KC™ Light Rack, Front



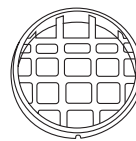
Light Cover - 2



KC™ Light Rack, Rear



Headlight Lens - 2

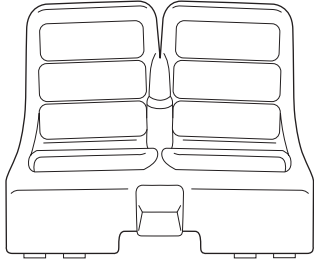


Lens Guard - 2

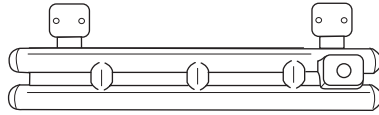


Microphone

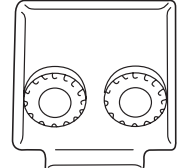
# Parts



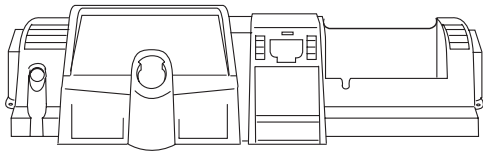
Seat



Rear Bumper



Knob Plate



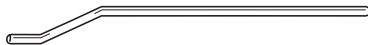
Dash



Steering Wheel



Cap Nut Assembly Tool



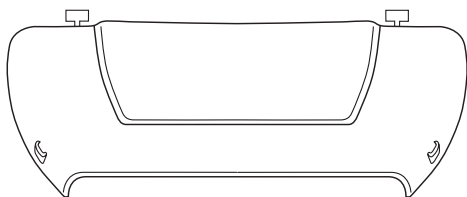
Steering Column



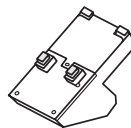
Dash Knob – 2



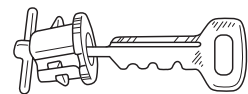
Cap Nut – 3\*



Hood



Sound Box



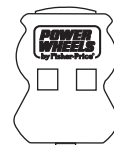
Key Assembly



Brush Guard Spacer Tube – 2



Hood Latch – 2

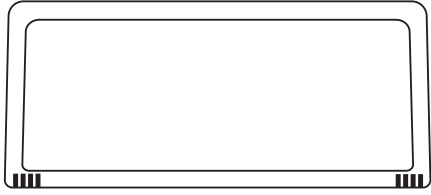


Steering Wheel Cover

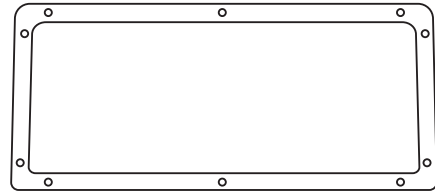
**Not Shown:** Label Sheet

\*For your convenience, an extra .354 cap nut has been included.

# Parts



Windshield Frame - Front



Windshield Frame - Back



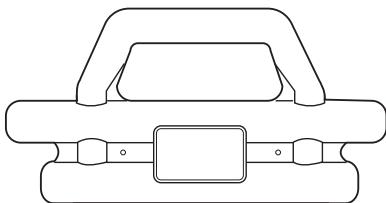
Sport Bar



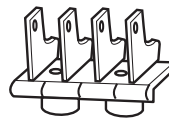
Sport Bar Support - 2



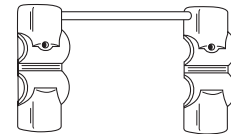
Windshield Hinge Pin - 2



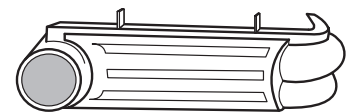
Brush Guard



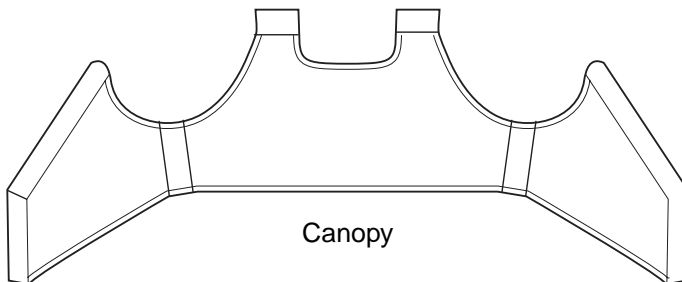
Windshield Bracket - 2



Sport Bar Bracket Set



Right Sidepipe

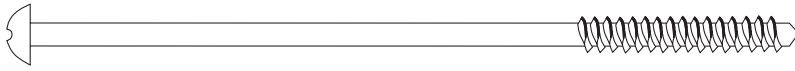


Canopy

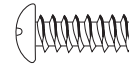


Left Sidepipe

# Parts



#8 x 4" Screw - 2



#10 x 1/2" Screw - 2



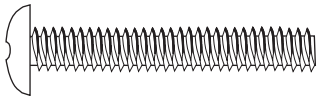
#8 x 1 1/4" Screw - 10



#8 x 3/4" Screw - 6



#6 x 1 1/2" Screw - 4



1 1/2" x 1/4" Machine Screw - 2



#8 x 1" Screw - 11

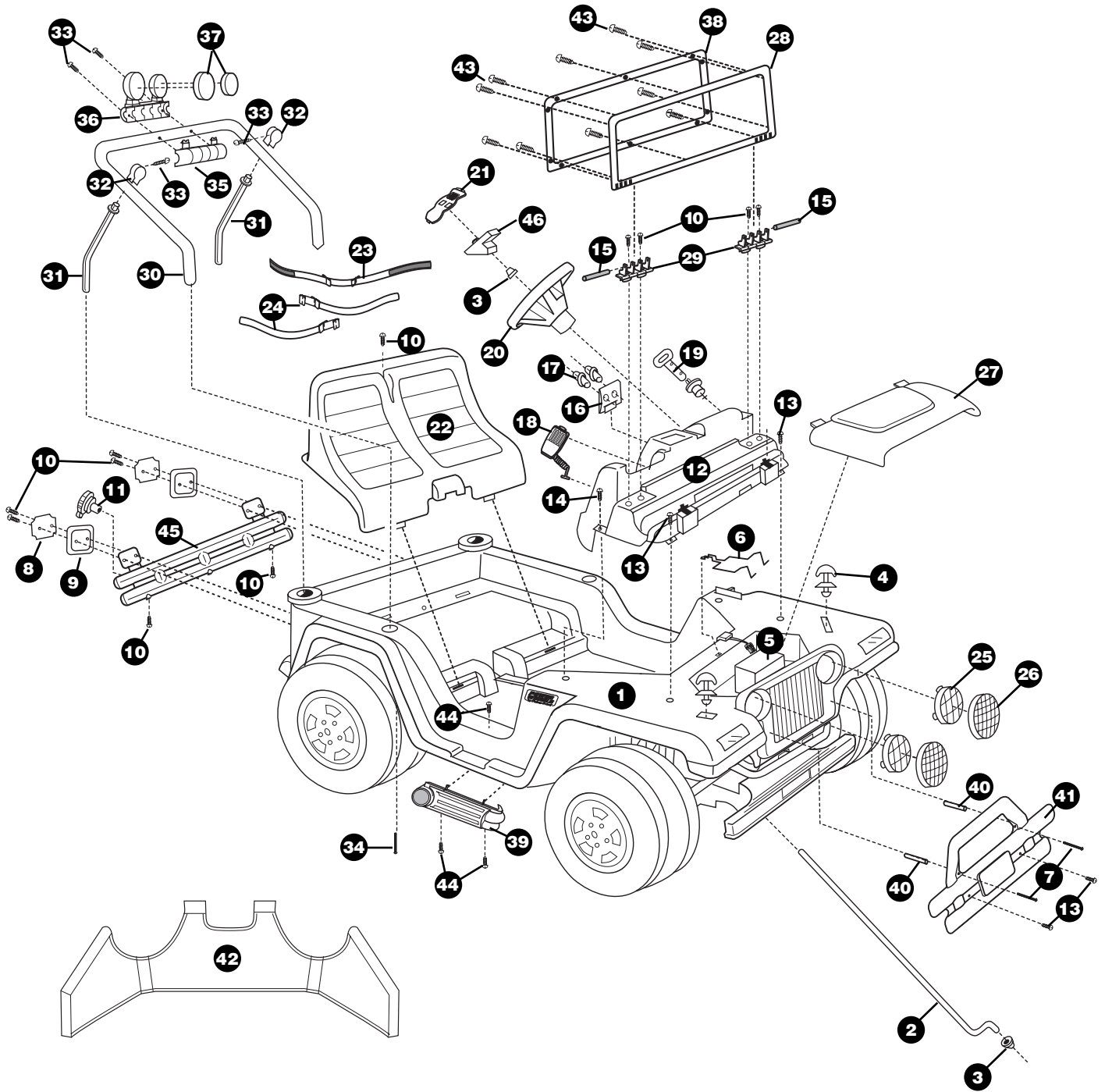


#10 x 1" Screw - 4

**All Screws Shown Actual Size**

# D

## Parts Diagram



**Jeep® Sandblaster™**  
MODEL 74526





**WARNING**

- The battery must be handled by adults only. The battery is heavy and contains sulfuric acid (electrolyte). Dropping the battery could result in serious injury.
- Never allow children to charge the battery. Battery charging must be done by adults only. A child could be injured by the electricity involved in charging the battery.
- Use of the wrong type battery or charger could cause a fire or explosion, resulting in serious injury.
- Use of Power Wheels® components in products other than Power Wheels® vehicles could cause overheating, fire or explosion.
- Read the cautions on the back panel of the battery.
- Examine the battery, charger and their connectors for excessive wear or damage each time you charge the battery. If damage or excessive wear is detected, do not use the charger or the vehicle until you have replaced the worn or damaged part.
- Never alter this vehicle or its electrical system in any way. Alterations could cause a fire resulting in injury and could also ruin the electrical system.

**About Thermal Fuses**

Your Power Wheels® 12 volt battery is equipped with a built-in thermal fuse. The thermal fuse is a self-resetting safety device which automatically “trips” and shuts down operation of the vehicle if the vehicle is overloaded or the driving conditions too severe. Once a fuse has “tripped”, it will automatically reset itself after approximately 25 seconds and allow the vehicle to resume normal operations. To avoid repeated automatic shutdowns, do not overload the vehicle by exceeding the 130 lb. maximum weight capacity or by towing anything behind the vehicle. Avoid severe driving conditions, such as driving up very steep slopes or running into fixed objects, which can cause the wheels to stop spinning while power is still being supplied to the motors. Make sure your child stops the vehicle before switching speeds or direction.

If a thermal fuse in a battery continually trips under normal driving conditions, please contact your local Power Wheels® Authorized Service Center. For the location of the Authorized Service Center nearest to you, see page 32.

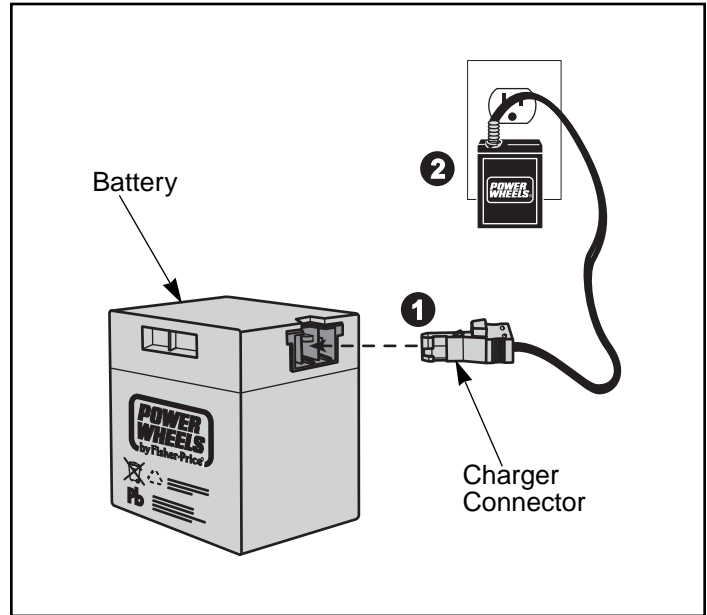
**CAUTION**

Use the charger in dry locations only.

# Battery Charging

## Important Notes

- Your new battery must be charged for at least 18 hours before you use it in your vehicle for the first time.
- You do not need to remove the battery from your vehicle to recharge it.
- The battery must be upright while charging.
- The charger is not a toy.
- Do not short circuit the battery.
- We recommend that you start charging your battery before beginning assembly of your new vehicle.
- Before charging the battery, examine the battery case for cracks and other damage which may cause sulfuric acid (electrolyte) to leak during the charging process. If damage is detected, do not charge the battery or use it in your vehicle. Battery acid is very corrosive and can cause severe damage to surfaces it contacts.
- Do not charge the battery on a surface which could be damaged by the acid contained inside the battery. Take precautions to protect the surface on which you charge your battery.
- Use only a Power Wheels® 12 volt charger with type "12V" connector (120 VAC 60 Hz 28W with an output of 12 VDC 1200mA) to charge your Power Wheels® rechargeable 12 volt battery.



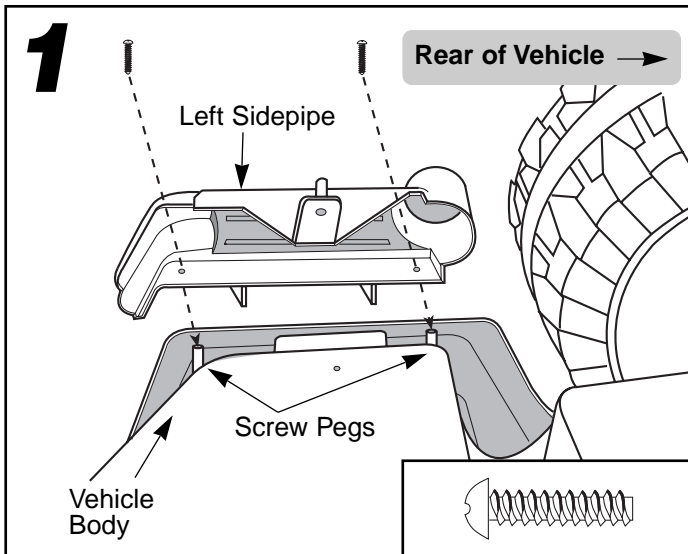
- Plug the charger connector into the battery ①.
- Plug the charger into a standard 120 volt wall outlet ②.

- Note:** If power flow to the wall outlet is controlled by a switch, make sure the switch is "ON".
- Before first-time use, charge the battery for **at least 18 hours**. Never charge the battery longer than 30 hours.
  - Recharge the battery for at least 14 hours after each use of your vehicle. Do not charge the battery longer than 30 hours.
  - Once the battery is charged, pull firmly on the charger connector to disconnect it from the battery. Unplug the charger from the wall outlet. The battery is now ready to be installed in your vehicle. Please see the Battery Installation section on page 23 for detailed instructions on installing your battery. If your battery is already installed in your vehicle, simply re-connect the motor harness connector to the battery and lower and fasten the hood.

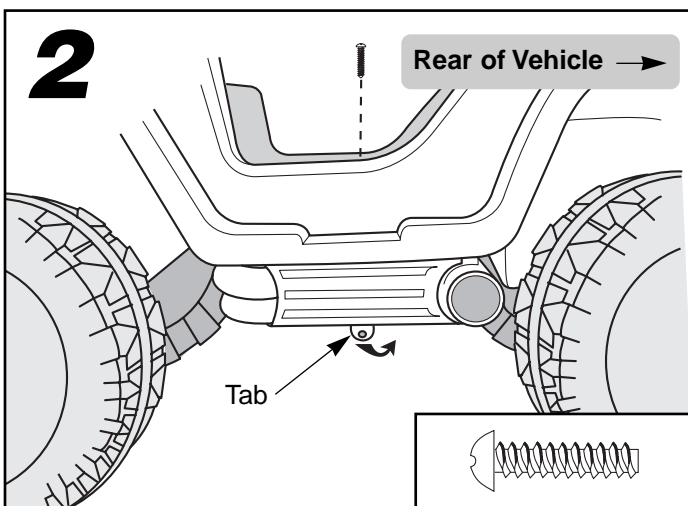
# F

## Assembly

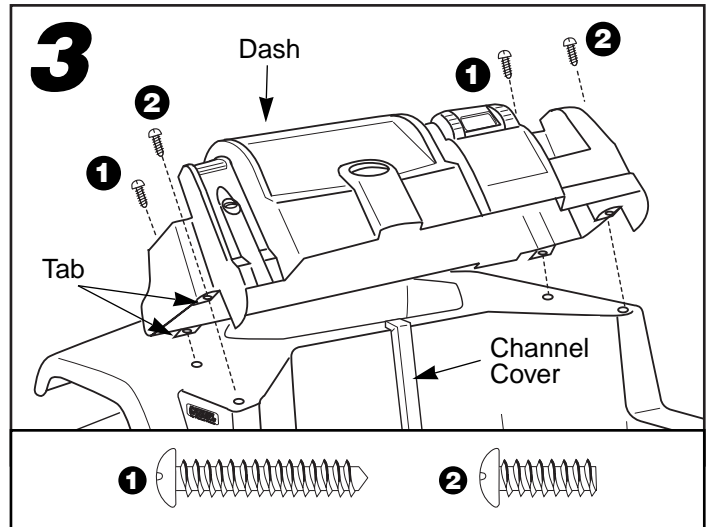
Do not omit any steps. Please set aside at least 60 minutes for assembly.



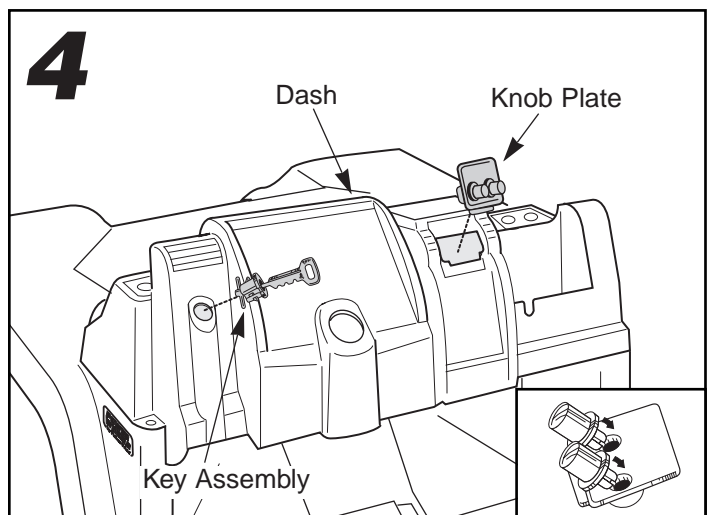
- Turn the vehicle body upside down.
- Fit the left sidepipe under the left (driver) side of the vehicle body.
- Insert two #8 x 3/4" screws through the top of the left sidepipe and into the screw pegs on the underside of the vehicle body.
- Tighten the screws with a Phillips screwdriver. Do not over-tighten.
- Repeat this procedure to assemble the right sidepipe to the right side of the vehicle body.



- Turn the vehicle body upright.
- Gently bend the tab on one of the sidepipes under the vehicle body.
- Insert a #8 x 3/4" screw through the hole in the vehicle body floor and into the tab.
- Tighten the screw with a Phillips screwdriver. Do not over-tighten.
- Repeat this procedure on the other side of the vehicle body.

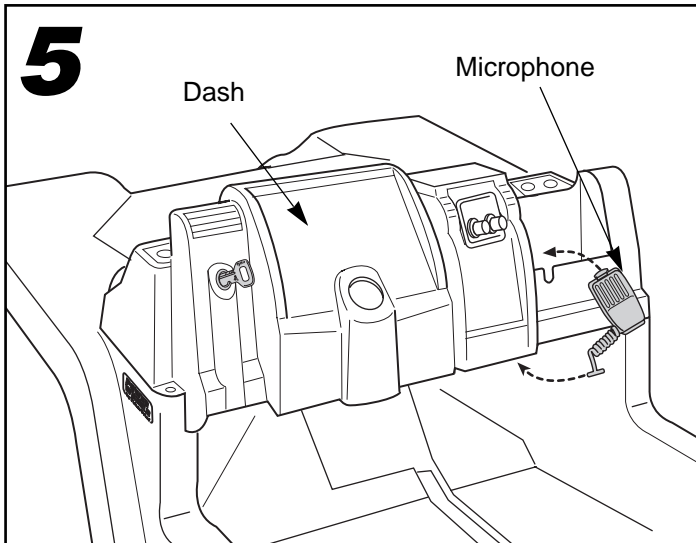


- Position the dash on the vehicle body. Make sure the holes in the dash tabs align with the holes in the vehicle body and that the channel cover is captured by the dash.
- Insert two #10 x 1" screws through the holes towards the rear of the dash (closest to the hood area) and into the vehicle body ①.
- Insert two #10 x 1/2" screws through the holes towards the front of the dash (closest to the passenger compartment) and into the vehicle body ②.
- Tighten the screws with a Phillips screwdriver. Do not over-tighten.

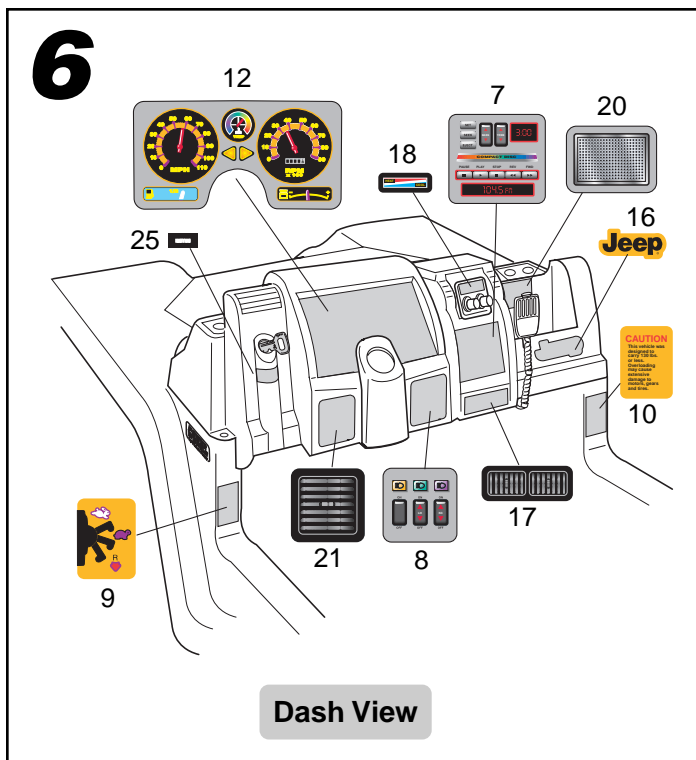


- Snap the dash knobs into the knob plate. (See inset.)
- **Helpful Hint!** Gently squeeze the tabs on the knobs together before inserting the knobs into the knob plate.
- Position the bottom edge of the knob plate in the opening in the dash.
- Snap the top of the knob plate into the dash.
- Snap the key assembly into the dash.

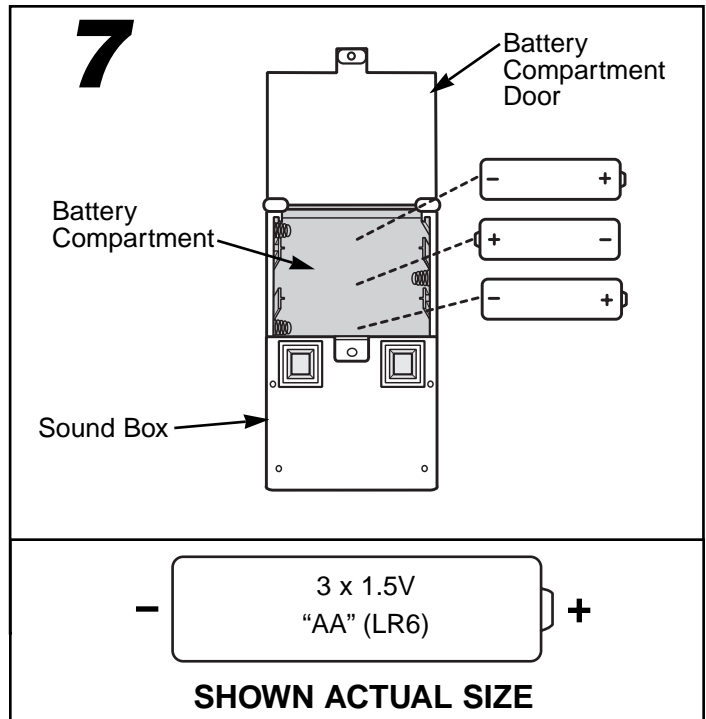
# Assembly



- Bend the plastic tip on the end of the microphone cord so that it forms a "T".
- Fit the "T" end of the microphone cord down through the hole in the dash pocket. Pull up gently on the microphone cord to make sure the end is secured in the dash.
- To hang the microphone on the dash, fit the hook on the back of the microphone onto the notch in the dash.



- Before applying labels to the dash, wipe the dash with a clean dry cloth to make sure it is free of dirt and oils. Make sure your hands are clean and dry.
- Apply labels as shown in the illustration. For best results, avoid repositioning a label once it has been applied.



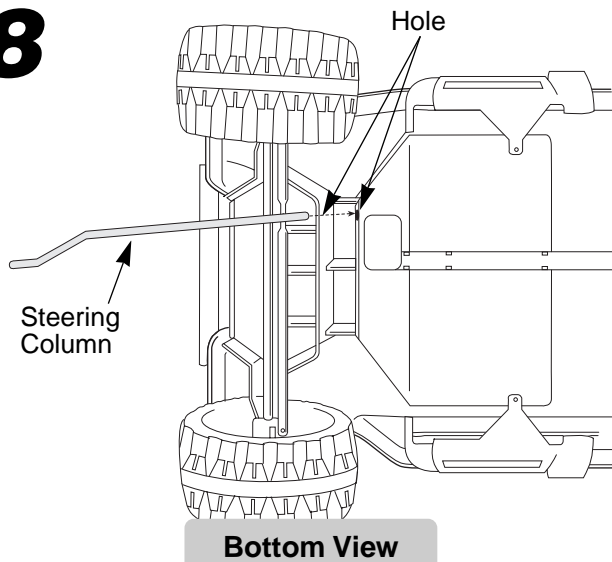
- Loosen the screw in the sound box's battery compartment door using a Phillips screwdriver and open the battery compartment.
- Insert three, size "AA" (LR6) alkaline batteries in the sound box as indicated in the battery compartment.
- Close the battery compartment door and tighten the screw using a Phillips screwdriver. Do not over-tighten. (For longest life, use only alkaline batteries.)

## Battery Tips:

- Do not mix old and new batteries.
- Do not mix different types of batteries: alkaline, standard (carbon-zinc) or rechargeable (nickel-cadmium).
- Remove the batteries during long periods of non-use. Always remove exhausted batteries from the sound box. Battery leakage and corrosion can damage the vehicle.
- Never short circuit the battery terminals.
- Non-rechargeable batteries are not to be recharged.
- Only batteries of the same or equivalent type as recommended in these instructions are to be used.
- If removable rechargeable batteries are used, they are only to be charged under adult supervision.
- Rechargeable batteries are to be removed from the sound box before they are charged.
- If you use a battery charger, it should be examined regularly for damage to the cord, plug, enclosure and other parts. Do not use a damaged battery charger until it has been properly repaired.
- When sound from the vehicle becomes faint, or if the sound stops working, it's time to replace the batteries.
- Dispose of batteries safely.

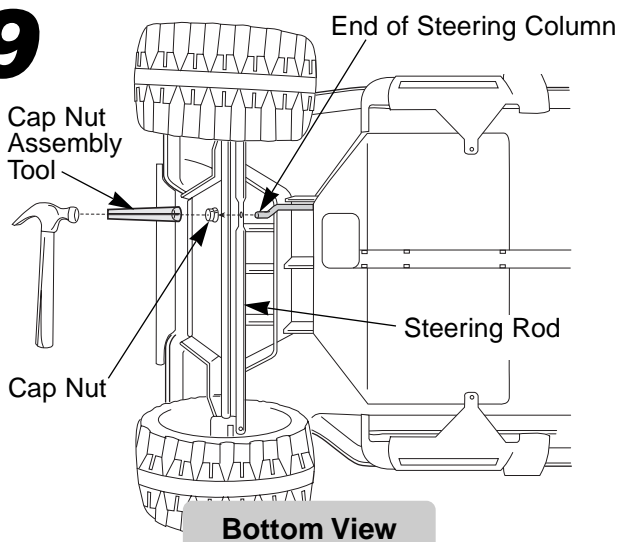
# Assembly

## 8



- Wipe the steering column with a paper towel to remove any excess lubricant.
- Turn the vehicle body on its side.
- Insert the straight end of the steering column up through the two holes in the vehicle body and out through the hole in the dash.

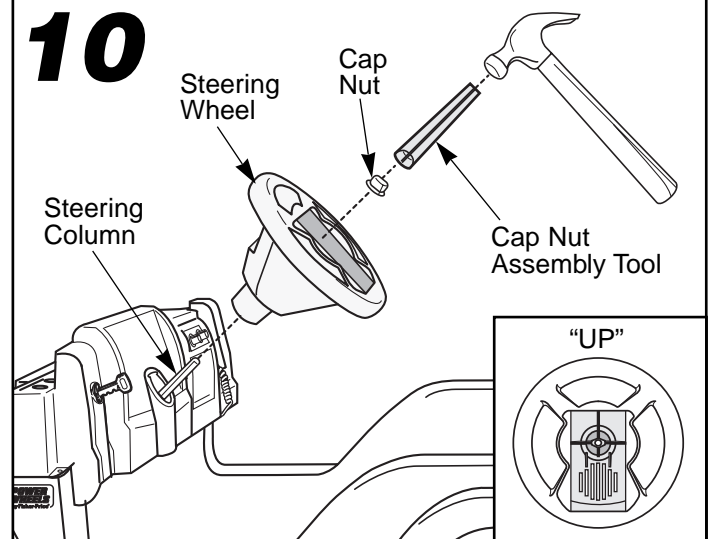
## 9



- Insert the end of the steering column through the hole in the steering rod.
- Fit a cap nut into the cupped end of the cap nut assembly tool.
- While supporting the steering column, hold the cap nut against the end of the steering column. Tap the cap nut assembly tool with a hammer to secure the cap nut on the steering column.

**Helpful Hint!** You may want the help of another person to support the steering column.

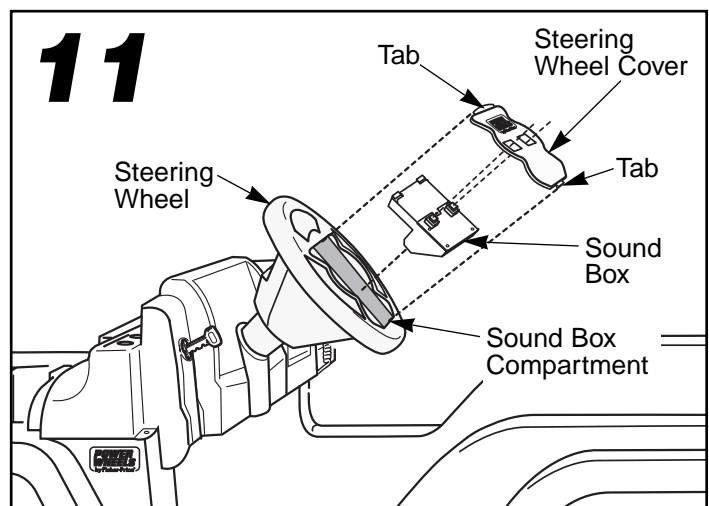
## 10



- Turn the vehicle body upright.
- Position the steering wheel upright (see inset).
- Fit the steering wheel onto the steering column.
- Fit a cap nut into the cupped end of the cap nut assembly tool.
- Tap the cap nut with a hammer to secure it on the steering column.
- Hold the cap nut against the end of the steering column. Tap the cap nut assembly tool with a hammer to secure the cap nut on the steering column.

**Helpful Hint!** You may want the help of another person to support the steering column.

## 11



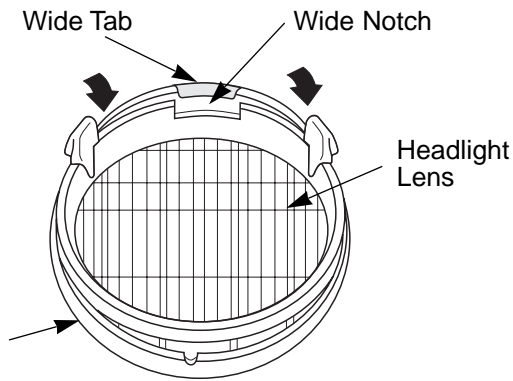
- Place the sound box, speaker side down, into the center of the steering wheel.
- Fit the tab at the top of the steering wheel cover under the top edge of sound box compartment.
- Fit the steering wheel cover over the sound box buttons and press near the bottom of the steering wheel cover to snap it into the steering wheel.

**Helpful Hint!** When it's time to change the batteries in the sound box, use a slotted screwdriver to press the bottom tab in and lift the steering wheel cover.

## 14

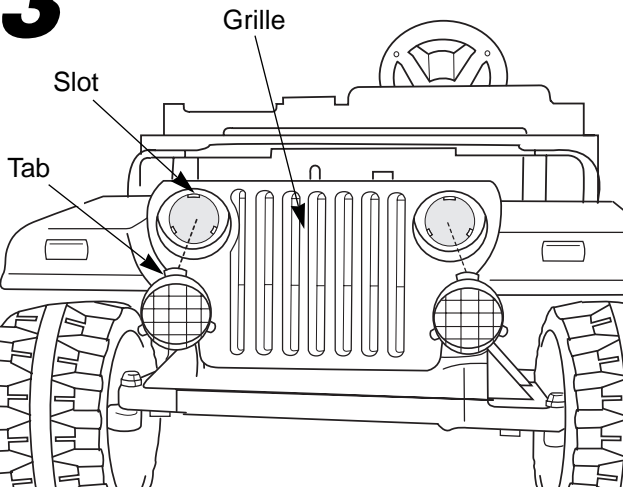
# Assembly

## 12



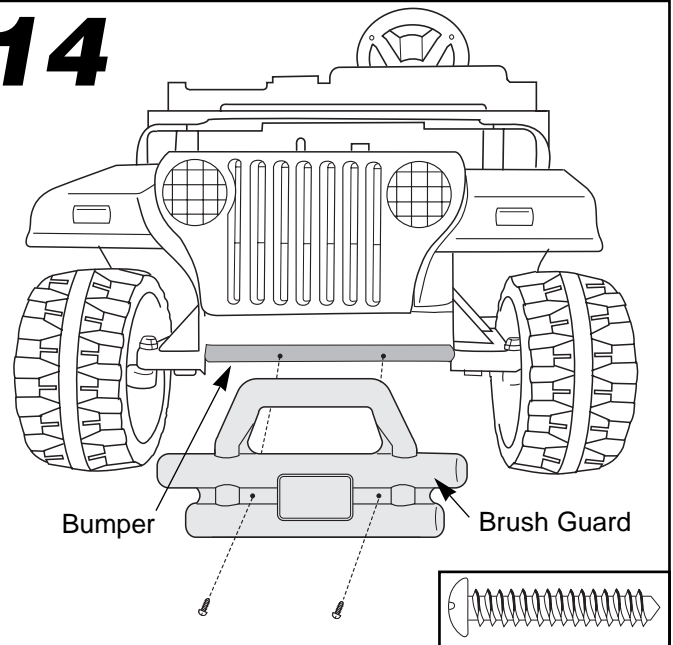
- Fit the wide notch in the side of a headlight lens under the wide tab on a lens guard.
- Press firmly on the inside of the headlight lens to snap it into the lens guard.
- Repeat this procedure to assemble the other headlight lens to the remaining lens guard.

## 13



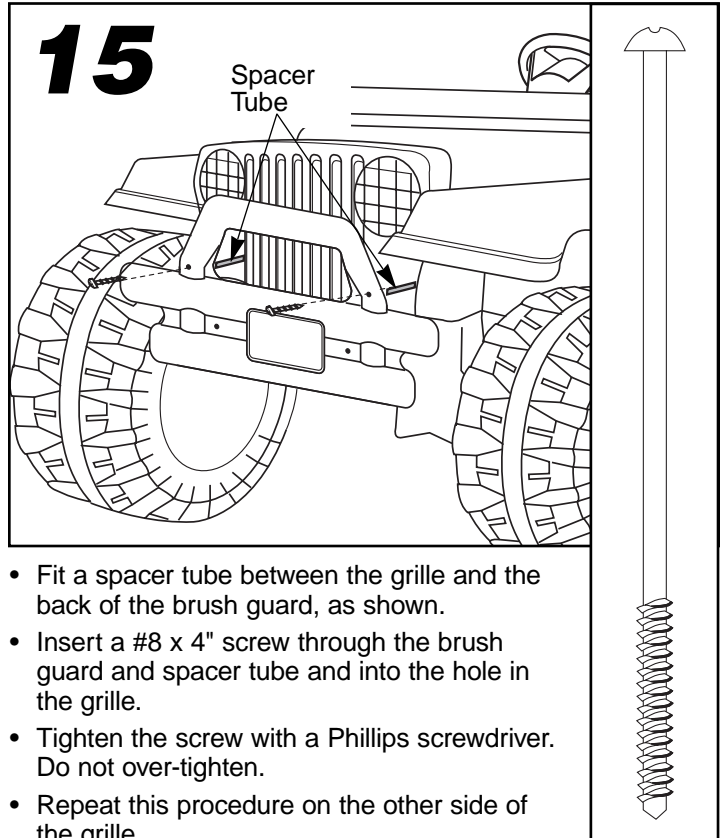
- Fit the lens tabs on the back of a lens assembly into the headlight slots in the grille.
- Press firmly to snap the lens assembly into the grille.
- Repeat this procedure to snap the other lens assembly into the grille.

## 14



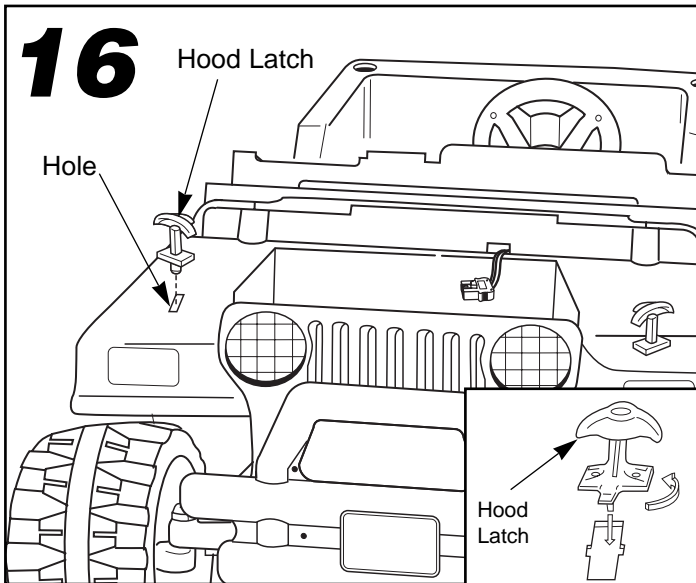
- Fit and hold the brush guard against the front bumper.
- Insert two #10 x 1" screws through the front of the brush guard and into the bumper.
- Tighten the screws with a Phillips screwdriver. Do not over-tighten.

## 15

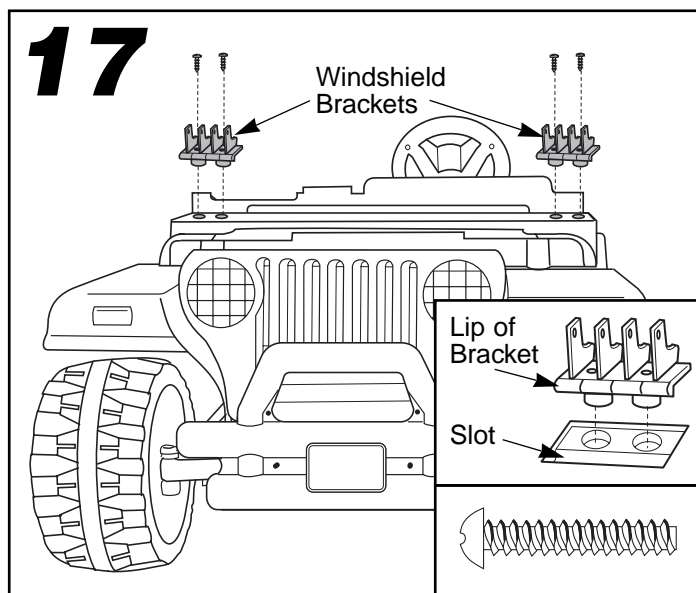


- Fit a spacer tube between the grille and the back of the brush guard, as shown.
- Insert a #8 x 4" screw through the brush guard and spacer tube and into the hole in the grille.
- Tighten the screw with a Phillips screwdriver. Do not over-tighten.
- Repeat this procedure on the other side of the grille.

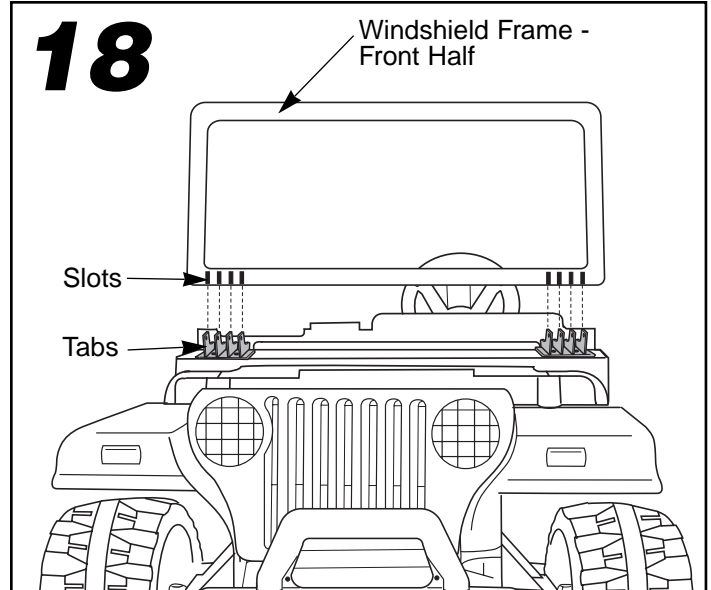
# Assembly



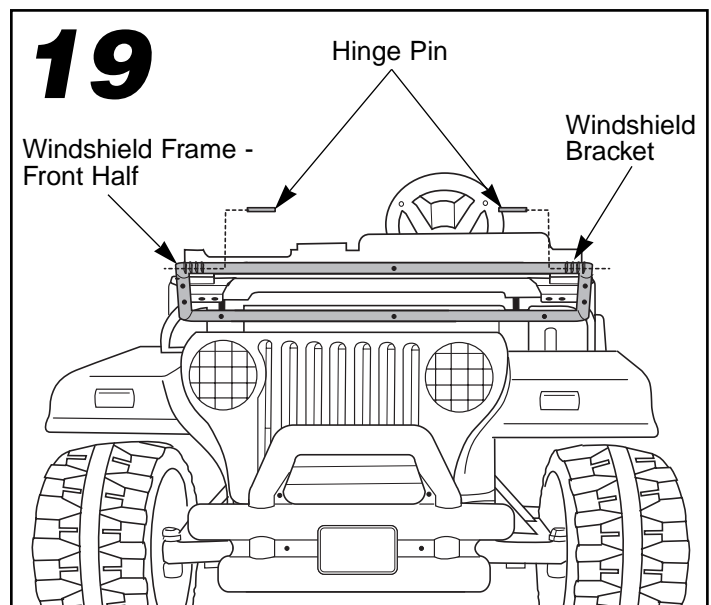
- Insert a hood latch into one of the holes in the vehicle body, near the hood area.
- Twist the base of the hood latch  $\frac{1}{4}$  turn to secure it in the vehicle body.
- Repeat this procedure on the other side of the hood area to attach the other hood latch to the vehicle body.



- Fit the screw pegs on the windshield brackets into the holes in the top surface of the dash. Press firmly to fit the lip on each windshield bracket into the slot in the top of the dash.
- Insert two #8 x 1" screws into a windshield bracket.
- Tighten the screws with a Phillips screwdriver. Do not over-tighten.
- Repeat this procedure to assemble the other windshield bracket to the vehicle body.



- Align the slots in the front half of the windshield frame with the tabs on the windshield brackets.
- Fit the front half of the windshield frame onto the windshield brackets as shown.

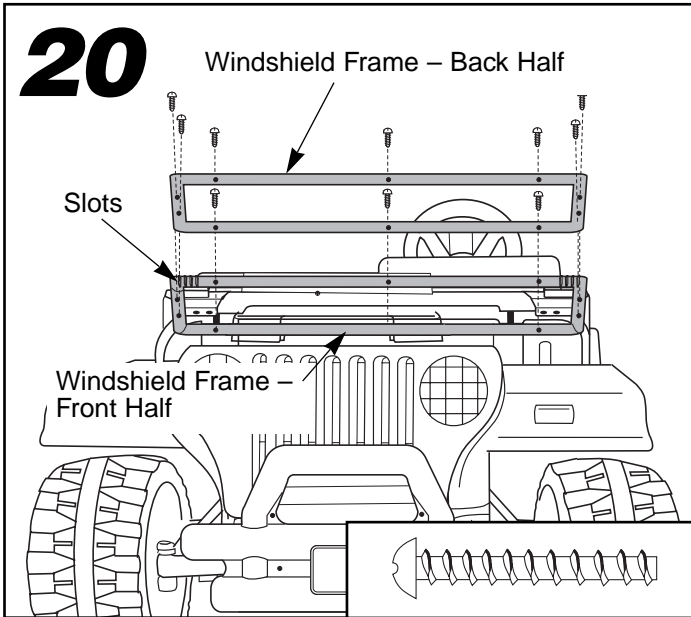


- Rotate the front half of the windshield frame down so it lays flat on the vehicle body.
- Working from the center of the vehicle, insert a hinge pin through the holes in the windshield frame and the holes in the windshield bracket, as shown.
- Repeat this procedure to secure the front half of the windshield frame to the other windshield bracket.



# Assembly

## 20

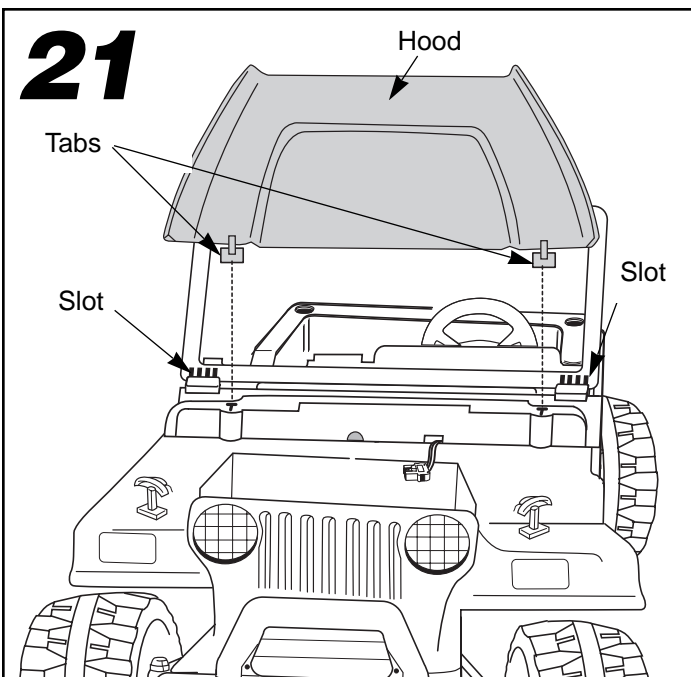


- Fit the back half of the windshield frame onto the front half of the windshield frame. Make sure the slots at the bottom of the two windshield frame halves are aligned.
- Insert ten #8 x 1 1/4" screws into the back half of the windshield frame.
- Tighten the screws with a Phillips screwdriver. Do not over-tighten.

**Helpful Hint!** Squeeze the two windshield halves together while tightening the screws.

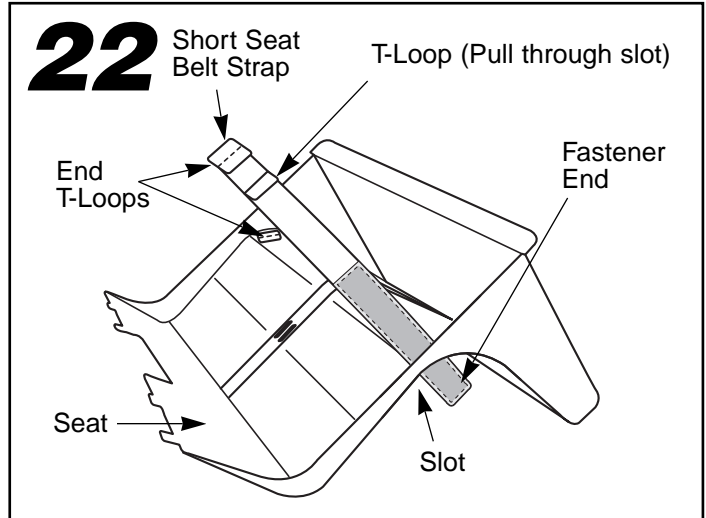
- Lift the assembled windshield to the raised position.

## 21



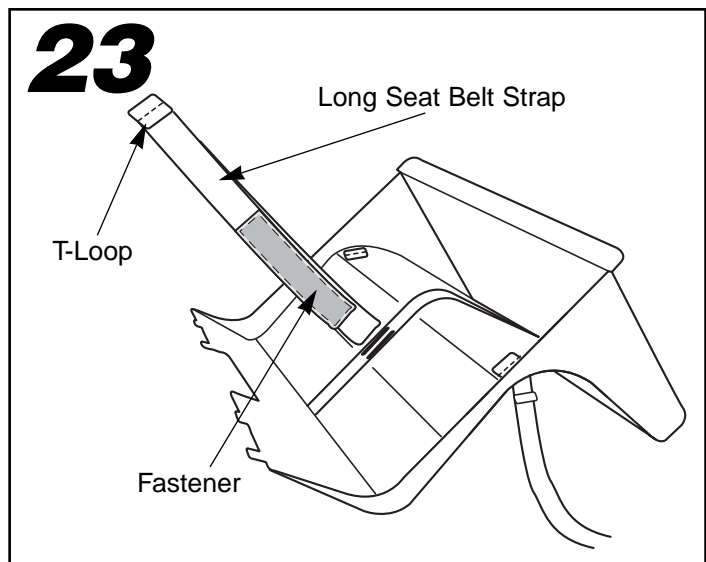
- Position the hood over the front of the vehicle body.
- Insert the tabs on the hood into the slots in the vehicle body.

## 22



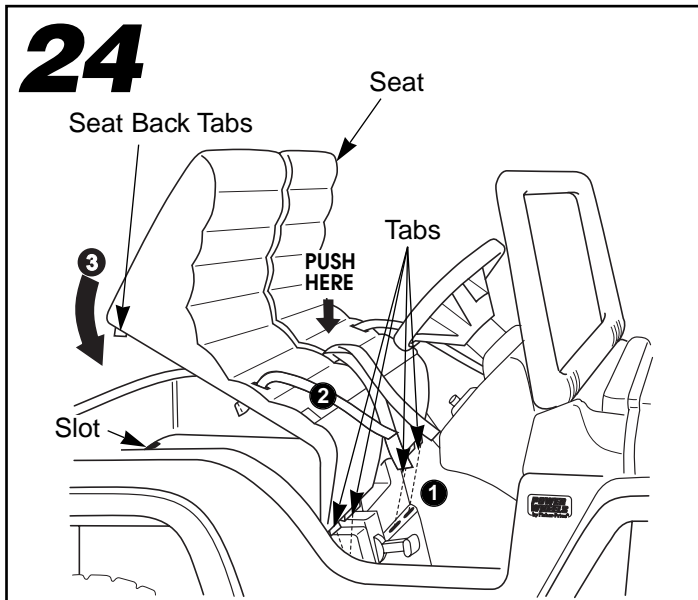
- Turn the seat upside down.
- Insert the fastener end of a short seat belt strap through the slot near the outer edge of the seat. Make sure the side of the seat belt with the fastener faces the outer edge of the seat.
- Pull the short seat belt strap completely through the slot until the last T-loop at the opposite end of the belt catches against the slot. You will pull one T-loop through the slot.
- Repeat this procedure to assemble the other short seat belt strap.

## 23

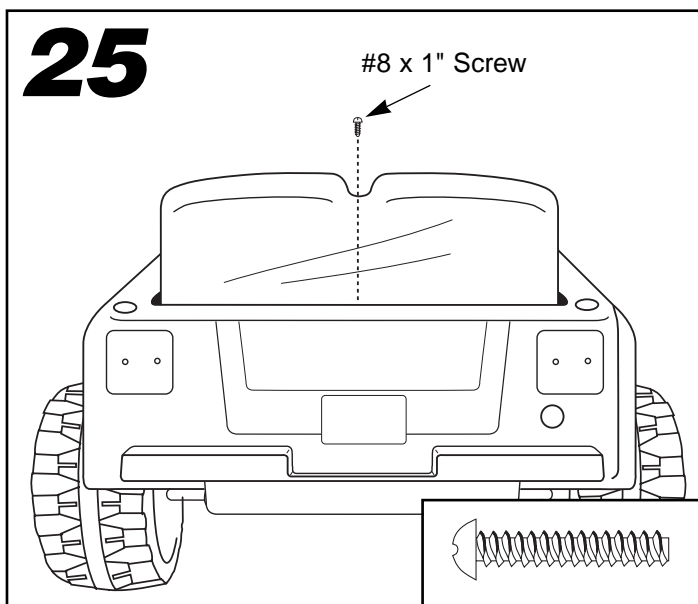


- Insert each end of the long seat belt strap through a slot in the center of the seat. Make sure the fasteners face the outer edge of the seat.
- Pull each side of the long seat belt strap evenly through the slots. Make sure to pull each T-loop through a slot.
- Turn the seat upright.

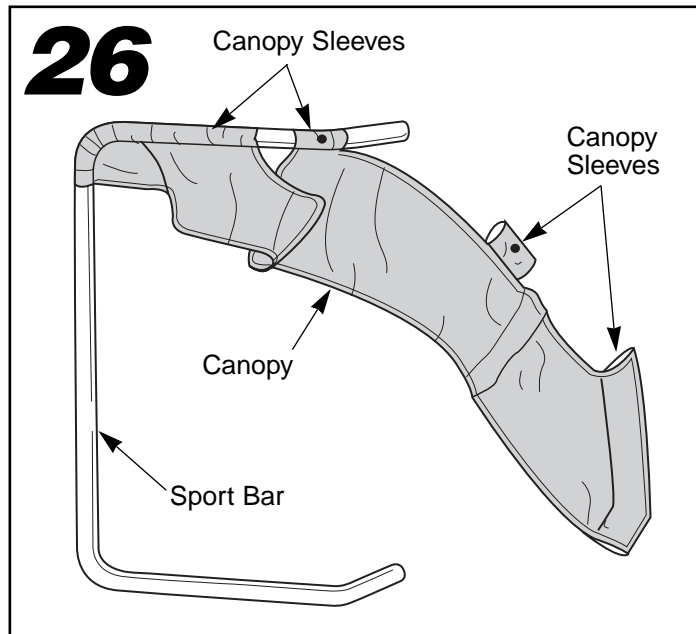
# Assembly



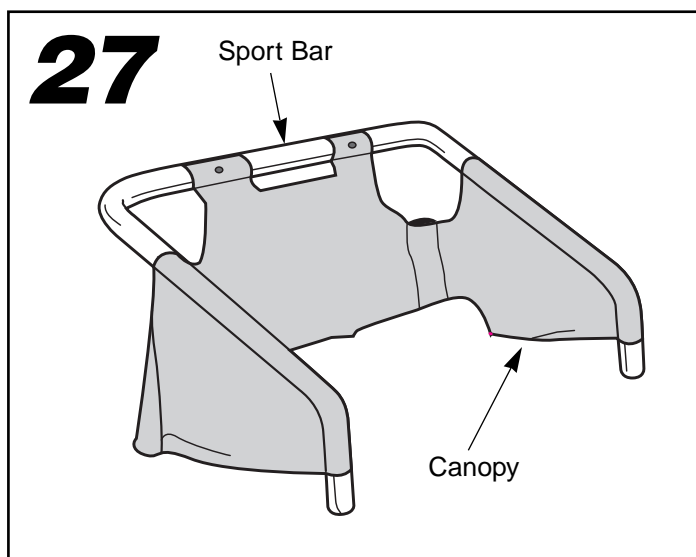
- With the seat at an angle, insert the tabs on the front edge of the seat into the slots in the foot-well wall **1**.
- Push down firmly on the edge of the seat above each tab to snap the tabs into the slots **2**.
- Rotate the back of the seat down **3** to snap the seat back tabs into the slots in the vehicle body. Push down firmly on the seat back.



- Insert a #8 x 1" screw into the rear of seat as shown.
- Tighten the screw with a Phillips screwdriver. Do not over-tighten.

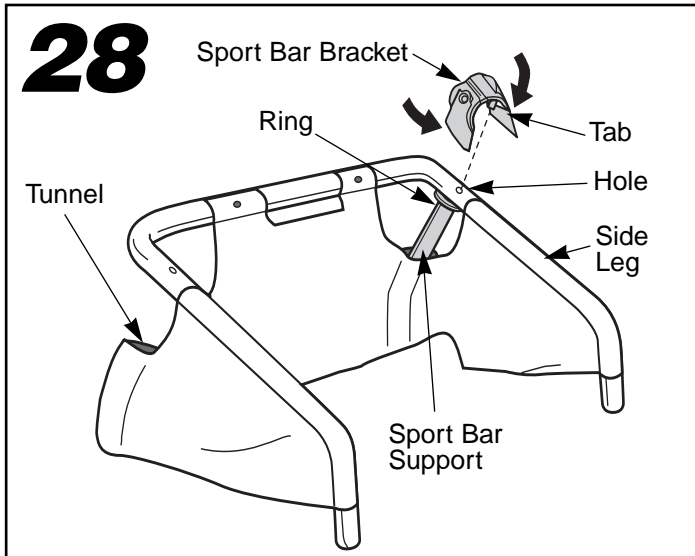


- Position the sport bar on its side so that the sport bar ends curve away from you.
- Position the canopy opposite the sport bar with the netting facing away from you.
- Slide the four canopy sleeves onto the sport bar.

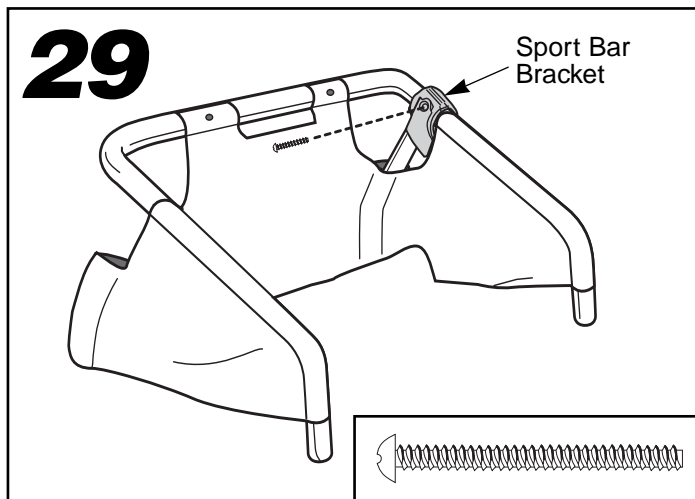


- Extend the canopy completely around the sport bar.

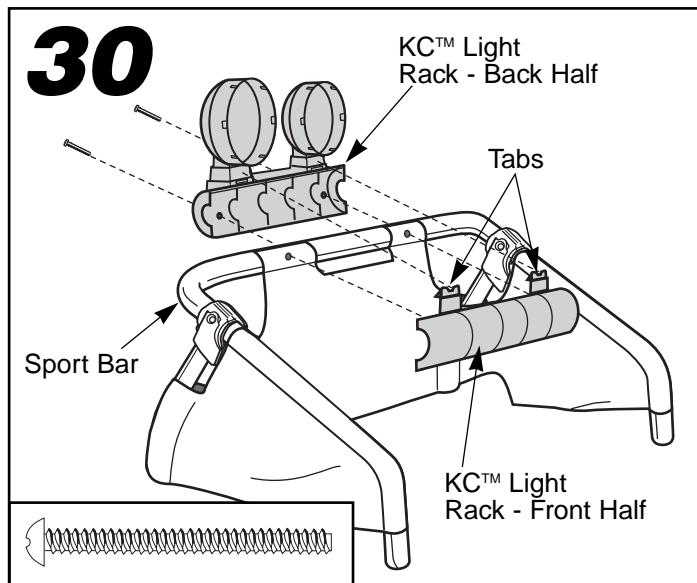
# Assembly



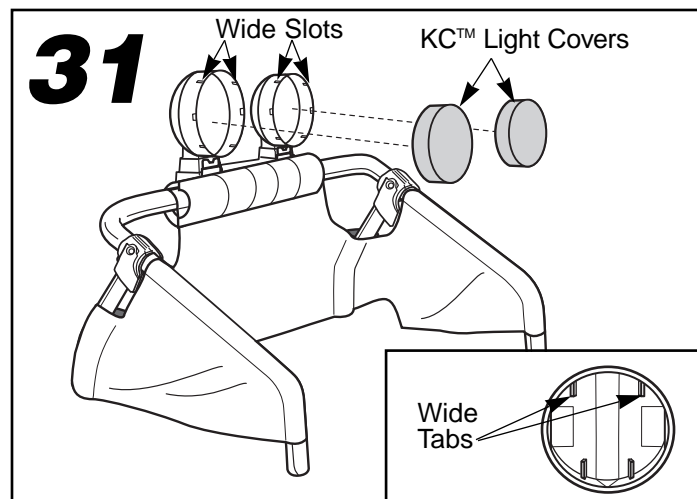
- Using safety scissors, remove the sport bar brackets from the plastic connector. Dispose of the plastic connector.
- Position the sport bar upright.
- Fit a sport bar support through a tunnel in a rear corner of the canopy. Make sure the ring end of the sport bar support is positioned toward the sport bar.
- Position a sport bar bracket above one of the sport bar side legs, as shown.
- Insert the tab on the inside of the sport bar bracket into the hole in the sport bar side leg.
- Fit the ring on the sport bar support against the end of the sport bar bracket.
- Fold the sport bar bracket over the sport bar to close it around the sport bar and sport bar support.



- Insert a #6 x 1 1/2" screw into the sport bar bracket.
- Tighten the screw with a Phillips screwdriver. Do not over-tighten.
- Repeat steps 28 and 29 to attach the other sport bar support to the other sport bar side leg.

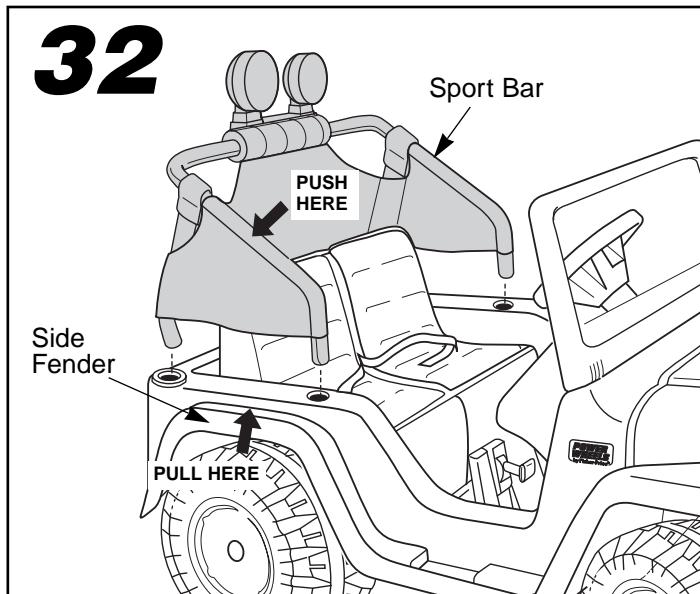


- Position the sport bar upright, as shown.
- Fit and hold the front and back halves of the KC™ light rack against the sport bar. Make sure the two KC™ light rack halves are aligned, and that the screw holes in the KC™ light rack are aligned with the screw holes in the canopy and the sport bar.
- Snap the tabs on the front half of the KC™ light rack into the slots below the light housings on the rear half of the KC™ light rack.
- Insert two #6 x 1 1/2" screws through the holes in the back of the KC™ light rack, through the sport bar, and into the front half of the KC™ light rack.
- Tighten the screws with a Phillips screwdriver. Do not over-tighten.

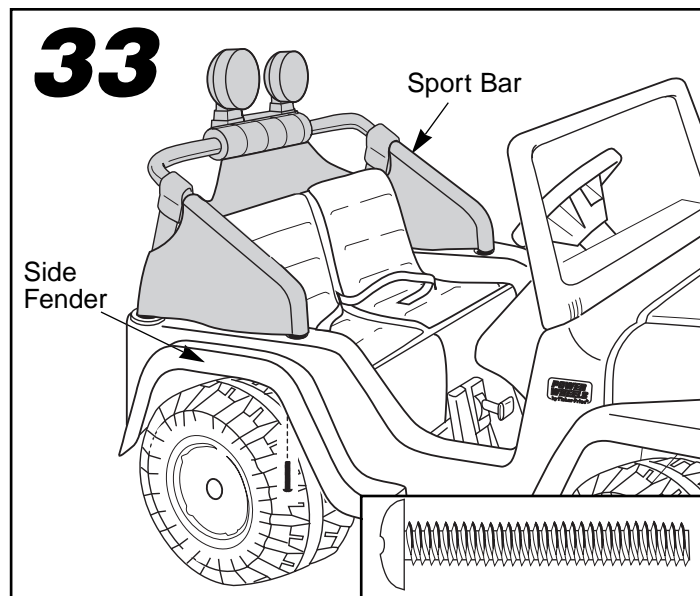


- Align the tabs on the inside of a light cover with the slots in one of the light housings on the KC™ light rack.
- Note:** Make sure the light covers are positioned with the wide tabs at the top.
- Push firmly on the light cover to snap it to the light housing.
  - Repeat this procedure on the other side of the KC™ light rack to assemble the other light.

# Assembly



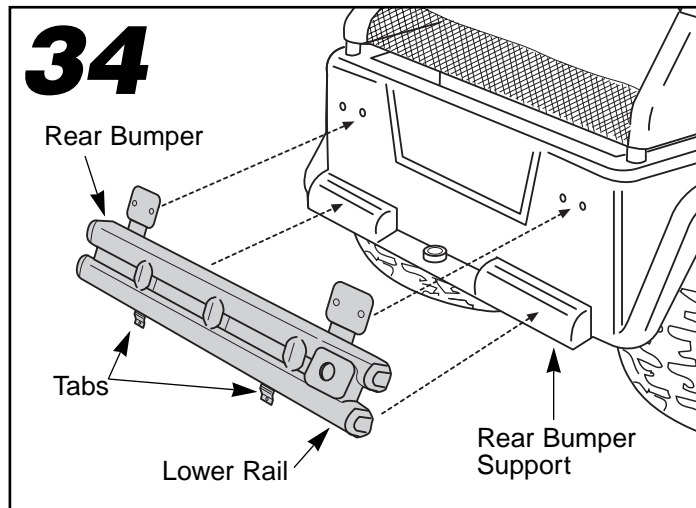
- Fit the sport bar and sport bar support legs into the holes in the vehicle body.
- Push down firmly on a sport bar side leg while pulling up on the side fender to fit the sport bar into the vehicle body.
- Repeat this procedure on the other side of the vehicle body.



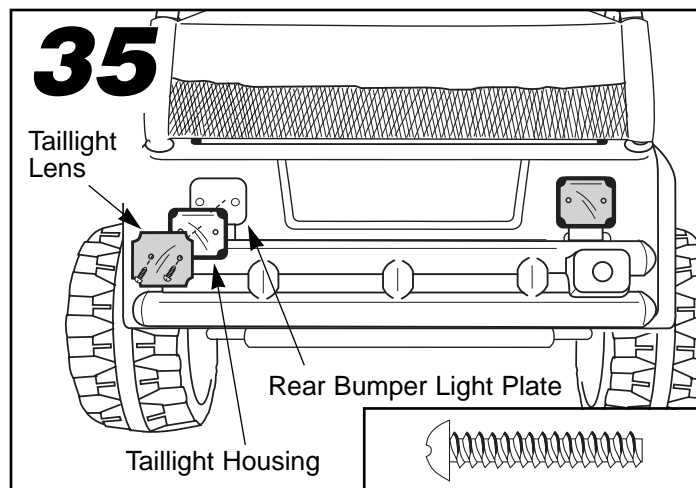
- Insert a 1 1/2" x 1/4" machine screw into the hole closest to the front of the vehicle in the underside of the rear wheel well, through the vehicle body and into the end of the sport bar.

**Important!** Make sure to assemble the two 1 1/2" x 1/4" machine screws to hold the sport bar and the sport bar supports in place.

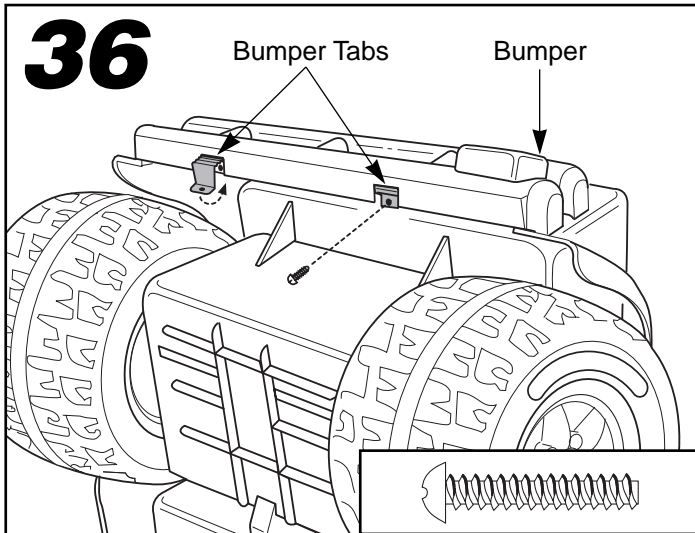
- Tighten the screw with a Phillips screwdriver. Do not over-tighten.
- Repeat this procedure on the other side of the vehicle body.



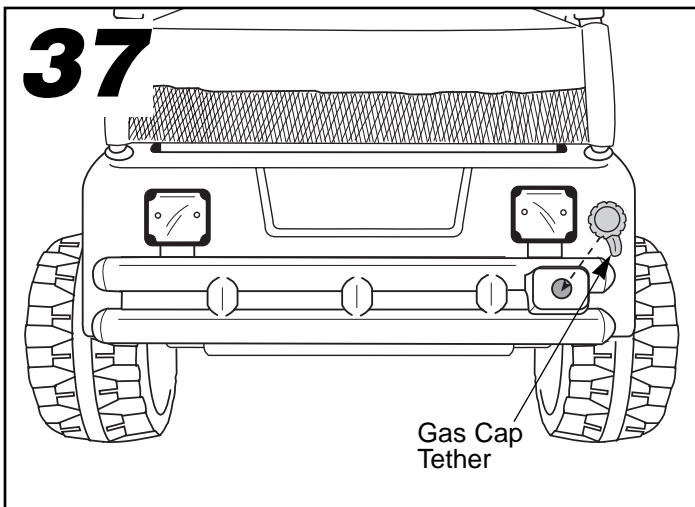
- Face the rear of the vehicle.
- Fit the lower rail on the rear bumper over the rear bumper support.
- Gently bend the tabs at the bottom of the rear bumper under the vehicle.



- Using safety scissors, remove the taillight lenses and the taillight housings from the plastic connectors. Dispose of the plastic connectors.
- Face the rear of the vehicle.
- Fit a taillight lens inside a taillight housing.
- Position the taillight housing with lens against a rear bumper light plate with the screw holes aligned.
- Insert two #8 x 1" screws through the taillight lens, rear bumper light plate housing and into the vehicle body.
- Tighten the screws with a Phillips screwdriver. Do not over-tighten.
- Repeat this procedure to attach the other taillight.



- Lift the rear of the vehicle.
- Align the holes in the bumper tabs with the screw pegs on the underside of the vehicle body.
- Insert two #8 x 1" screws through the bumper tabs and into the vehicle body.
- Tighten the screws with a Phillips screwdriver. Do not over-tighten.
- Lower the rear of the vehicle.



- Position the gas cap so that its tether points down.
- Snap the gas cap into the opening on the rear bumper.

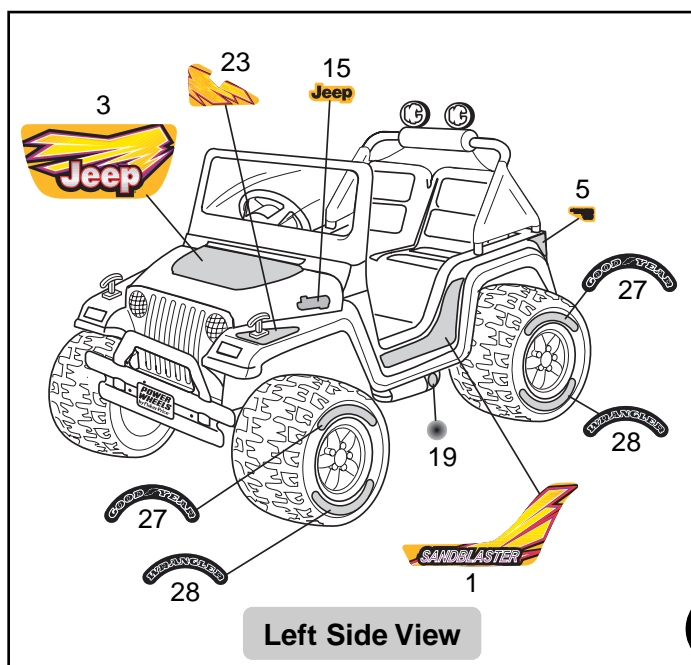
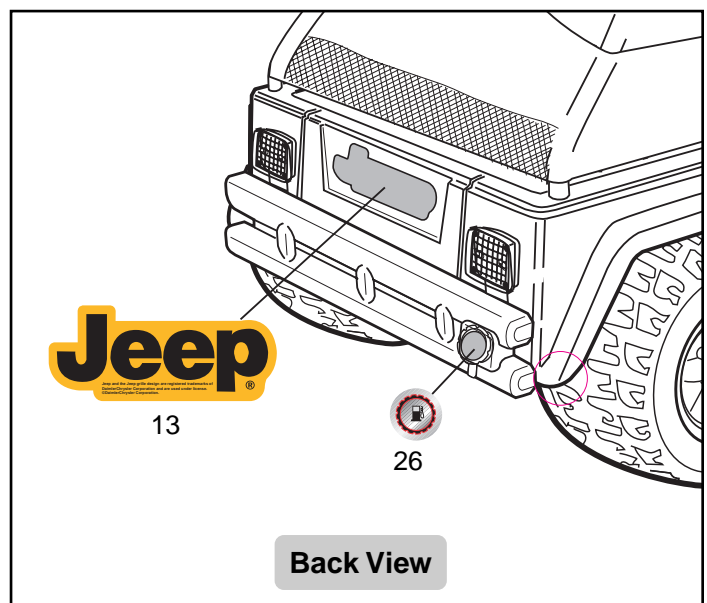
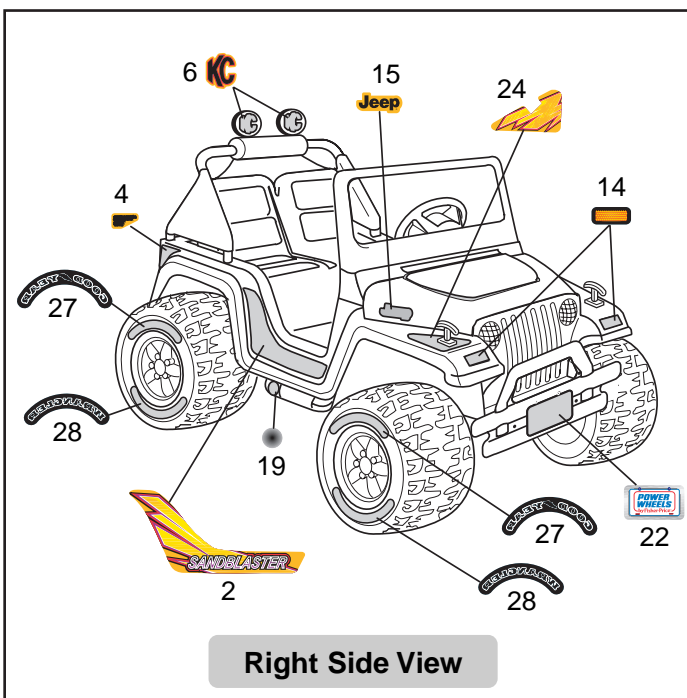
# G

## Label Decoration

Proper label application will help to keep the labels looking their best! When applying labels, keep the following guidelines in mind:

- Wash your hands before applying the labels.
- Before applying the labels, wipe the surface of the vehicle with a clean, dry cloth to remove any dust or oils.
- Place the labels exactly as shown in the illustrations.
- For best results, avoid repositioning a label once it has been applied to the vehicle.
- **After applying a label, rub the label firmly with a clean, dry cloth to make sure the label is adhered to your vehicle. Start at the center of a label, and smooth towards the outer edges to remove air bubbles.**

**Please Note:** Label 11 is not used on this vehicle style.



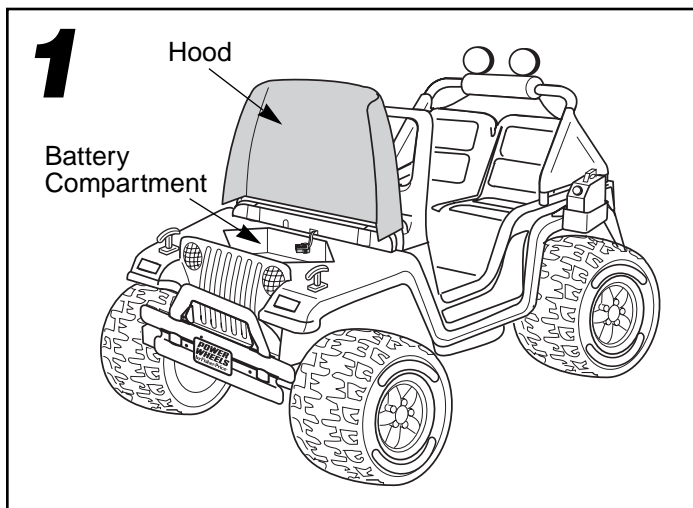
**One-time assembly is now complete.**

### IMPORTANT NOTES:

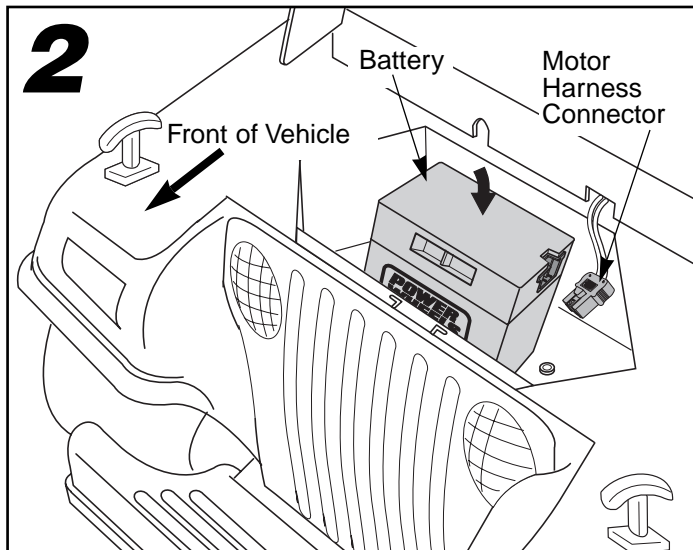
- Please carefully read the owner's information in this manual and teach your child about proper vehicle operation and rules for safe driving before allowing operation of this vehicle.
- For safety reasons, your vehicle has been pre-set so that it will only operate at low speed (2½ mph, maximum). Make sure that your child can safely operate this vehicle at low speed before adjusting the vehicle to run at high speed (5 mph, maximum).

**To disconnect high speed lock-out, please see page 27.**

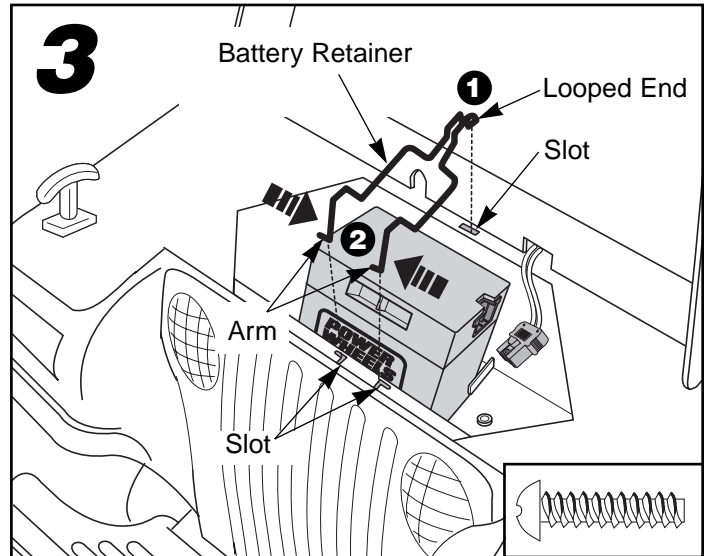
**Important Note:** Use only a Power Wheels® 12 volt battery. Use of any other battery will damage your vehicle. Make sure that you charge the battery for at least 18 hours using the enclosed Power Wheels® 12 volt charger before operating your vehicle for the first time. Charge the battery for at least 14 hours after each use of the vehicle. Never charge the battery longer than 30 hours. Failure to follow these instructions may damage your battery and will void your warranty. It is easier to install the battery before assembling the hood to your vehicle. If you have already assembled the hood to your vehicle, you may want to remove it to install the battery.



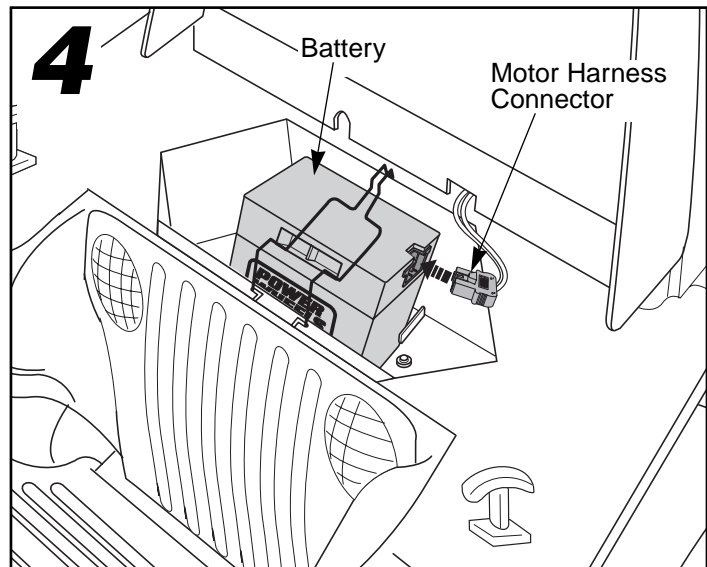
- Lift the hood to access the battery compartment.



- Place the Power Wheels® battery upright in the battery compartment.



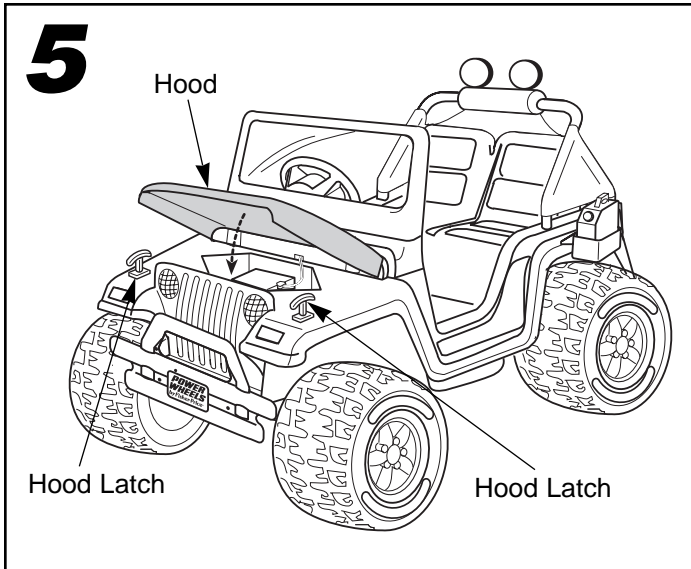
- Insert the looped end of battery retainer (1) into the slot in the vehicle body near the dash.
- Squeeze the battery retainer arms (2) and fit them into the slots in the vehicle body.



- Plug the motor harness connector into the battery.

## Battery Installation

## Battery Care and Disposal



- Lower the hood.
- Lift the hood latches and fit the latch pegs onto the hood to close it.

## Battery Care and Disposal

### Disposal



- Your Power Wheels® battery is a sealed lead-acid battery. It must be recycled or disposed of in an environmentally sound manner.
- Do not dispose of a lead-acid battery in your regular, household trash. The incineration, landfilling or mixing of sealed lead-acid batteries with household trash is prohibited by law in most areas.
- Return the battery to a federal or state approved lead-acid battery recycler, such as a Power Wheels® authorized service center, or a local seller of automotive batteries. In Minnesota, call 1-800-348-0751 if further disposal information is required. Contact your local waste management officials for other information regarding the environmentally sound collection, recycling and disposal of lead-acid batteries.

### Care

**If a battery leak develops**, avoid contact with the leaking acid and place the damaged battery in a plastic bag. See information below for proper disposal.

**If acid comes in contact with skin or eyes**, flush with cool water for at least 15 minutes and call a physician.

**If acid is internally ingested**, give water, milk of magnesia or egg whites immediately. Never give emetics or induce vomiting. Call a physician.

- Charge a new battery for at least 18 hours before first use. Never charge the battery longer than 30 hours. Overcharging or undercharging the battery may shorten battery life and decrease vehicle running time.
- After the first charge, recharge the battery for at least 14 hours after each use. Never charge the battery longer than 30 hours. Charge the battery after each use, regardless of how long the vehicle was used.
- The battery must be upright while charging.
- Do not allow the battery to run down completely before charging.
- Charge the battery before storing the vehicle.
- Charge the battery at least once per month, even if the vehicle has not been used.
- Leaving the battery in a discharged condition will ruin it.
- Do not store the battery in temperatures above 75° F or below -10° F.
- Prevent the battery from moving freely inside the battery compartment. Always use the battery retainer to secure the battery in the battery compartment.
- Examine the battery, charger and its connector for excessive wear or damage each time you charge the battery. If damage is detected, do not use the charger or the battery until you have replaced the worn or damaged part.



**WARNING**

- Adult supervision is required. Children do not have the judgement necessary to avoid many accidents. Be sure that children operating this vehicle can do so safely and that they are supervised at all times.
- Never use near steps, driveways, steep inclines, roadways, alleys, swimming pool areas or other bodies of water.
- Always wear shoes or sneakers when operating this vehicle.
- Never allow more than two riders; one driver and one passenger.
- The riders should sit on the seat when the vehicle is in operation.

**Teach Safety Rules to Children**

While children can quickly develop the skill necessary to drive this vehicle, it is important to remember that their judgement skills are still very immature. Unsupervised driving by children can lead to serious injury. Before children use this vehicle, an adult should carefully evaluate the driving area as well as the children's skill level and ability to drive this vehicle safely. Children are not always able to recognize or anticipate hazards, even when they have been taught about them. There is no acceptable substitute for adult supervision.

Teach appropriate safety rules to your child before allowing operation of this vehicle. These rules should also be reviewed with neighborhood children or other playmates who want to drive this vehicle.

1. Do not allow any child to drive the vehicle in the street or near moving (motorized) vehicles.
2. Do not allow any child to drive near bodies of water (such as pools or creeks), obstructions (such as furniture, low tree limbs or play equipment), or drop-offs (such as stairs or decks).
3. Do not allow any child to drive the vehicle in the dark. A child could encounter unexpected obstacles and have an accident. Operate the vehicle only in the daytime or in a well-lit area.
4. Teach your child to avoid driving on steep inclines or slopes. Restrict your child's driving to areas that are fairly level with gentle inclines or slopes of no more than 10°.
  - While driving down a steep slope, the vehicle may gain unsafe speed, even if the foot pedal is released to stop.

- While driving across a steep slope, the vehicle may tilt and tip over. The wheels could lose traction, causing the vehicle to slip.
- While driving up a steep incline, the motor may stop and the vehicle could roll backwards at an unsafe speed.



5. Do not operate this vehicle with more than two riders; one driver and one passenger seated in the seating area. A child who is not sitting on the seat or who is standing on the vehicle could fall off, cause a tip-over or block the driver's view. A child could be seriously injured.
6. Always wear shoes or sneakers when operating this vehicle.
7. Never put anything near any moving parts. Rotating parts such as motors, gear boxes and wheels can snag fingers, hair, etc., causing serious injury. Do not allow operation of the vehicle when it is on its side or in an upside-down position.
8. Do not operate the vehicle near flammable vapors (gasoline, paint thinner, acetone, liquid wax, etc.). The vehicle's electrical switches, like most electrical switches, emit an internal spark when first turned on or turned off. The presence of flammable liquids or vapors could cause an explosion or a fire. Keep all flammable products in tightly sealed containers and away from the vehicle.
9. Do not allow a child to operate the vehicle without proper adult supervision. To prevent unsupervised use of the vehicle, disconnect the motor harness from the batteries when the vehicle is not in use.

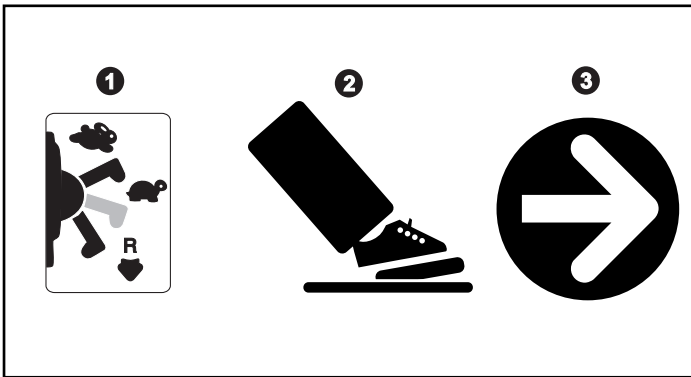
**To disconnect the motor harness connector and battery:**


- Raise the hood to access the battery.
- Unplug the motor harness connector from the battery.
- Lower the hood and fasten the hood latches.

### Beginner Use - Low Speed Drive

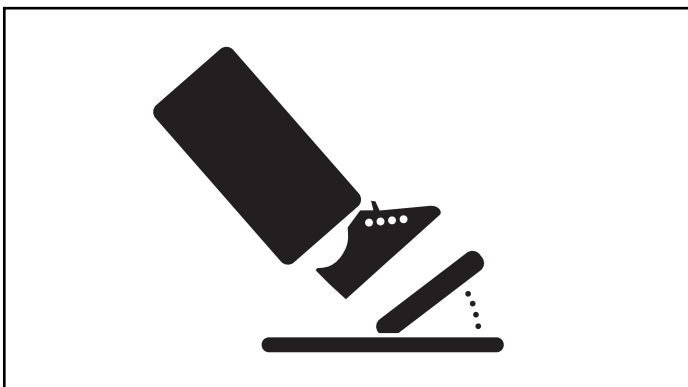
As assembled, your vehicle is ready to roll in low speed (2½ mph, maximum). It has been pre-set so it will only operate in low speed. After your child has mastered the basic skills of driving and understands the rules for safe driving, it's time to remove the high speed lock-out screw to allow the vehicle to operate in low or high speed.

**See the instructions on page 27 to remove the high speed lock-out screw.**



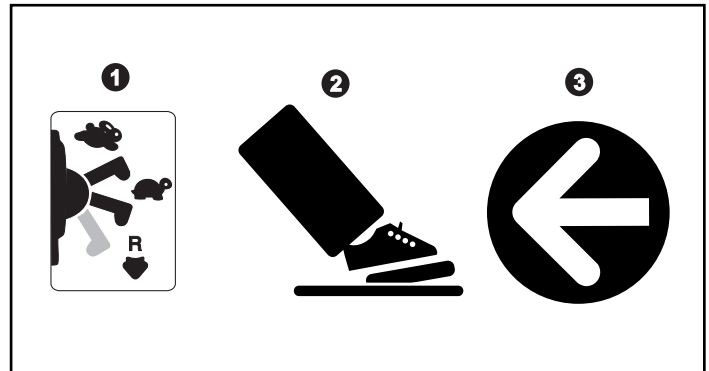
- Make sure the shifter is in the low speed (  ) position ①.
- Press down on the foot pedal ②. The vehicle goes forward at a maximum of 2½ mph ③.
- Help your child practice steering to learn how far and how quickly to turn the steering wheel when driving forward in low speed.

### To Stop

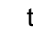


- Your vehicle has a patented electronic braking system that automatically stops the vehicle when your child's foot is lifted from the pedal.
- Make sure your child is comfortable with steering the vehicle and automatically knows how to stop.


### To Back Up



**Please Note: To avoid damaging the motors and gears, stop the vehicle before shifting from forward to reverse (  ).**

- Once your child is completely comfortable with operating the vehicle in the forward mode, introduce reverse (  ).

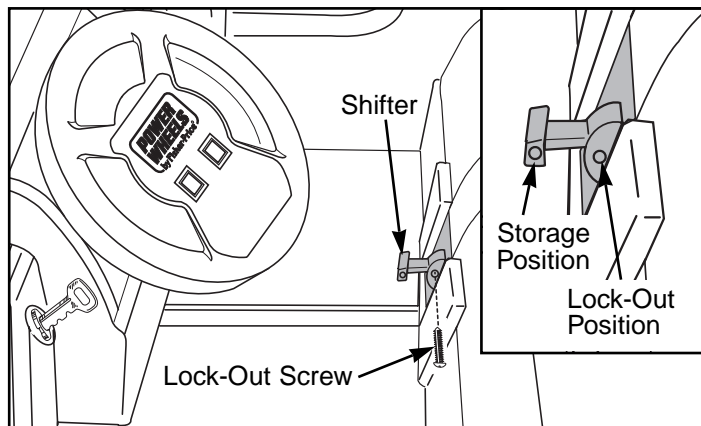
#### To Back Up

- Make sure the shifter is in the reverse (  ) position ①.
- Press down on the foot pedal ②. The vehicle will go in reverse at a maximum of 2½ mph ③. The vehicle is designed to operate in low speed only in reverse.
- Help your child practice steering to learn how far and how quickly to turn the steering wheel when driving in reverse.

## How to Operate Your Vehicle

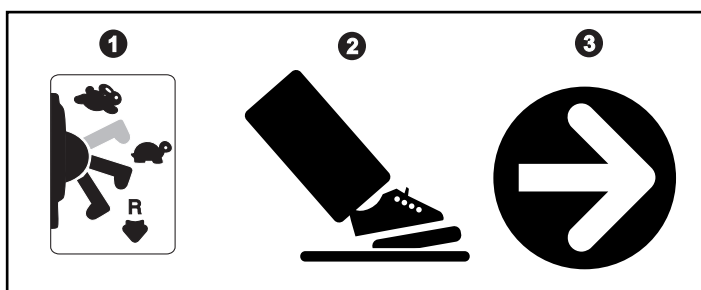
### Advanced Use - High Speed Drive

#### Disconnecting the High Speed Lock-Out



- Before you disconnect the high speed lock-out, make sure your child knows how to steer, how to start and stop the vehicle and knows the rules for safe driving. When the high speed lock-out is disconnected, the vehicle can be driven forward in low speed (2½ mph, maximum) or high speed (5 mph, maximum).
- Make sure the shifter is in the reverse (♥) position.
- Loosen the screw in the shifter box using a Phillips screwdriver.
- Remove the screw.
- Insert the lock-out screw into the hole in the shifter handle to keep it for future use. It can be re-inserted into the shifter box to lock-out high speed.

#### To Drive



**Please Note: To avoid damaging the motors and gears, stop the vehicle before shifting between low and high speed.**

- Make sure the shifter is in the high speed (⚙️) position ①.
- Press down on the foot pedal ②. The vehicle goes forward at a maximum of 5 mph ③.
- Help your child practice steering to learn how far and how quickly to turn the steering wheel when driving forward in high speed.
- Make sure your child is comfortable with steering the vehicle and automatically knows how to stop.
- Stopping in high speed is the same as stopping in low speed. The vehicle automatically stops when your child's foot is lifted from the pedal.

## L

## Caring For Your Vehicle

- Check all screws, retainers and protective coverings regularly and tighten as required. Check plastic parts on a regular basis for cracks or broken pieces.
- During snowy or rainy weather, the vehicle should be stored inside or under a protective cover. Remember to charge the batteries at least once per month while your vehicle is not in regular use.
- Avoid operating the vehicle in wet or snowy conditions and do not spray the vehicle with a hose. Do not wash the vehicle with soap and water. Water or moisture in the motors or electrical switches can cause them to corrode and could cause switch or motor failure.
- Avoid operating the vehicle on sand, loose dirt or gravel. Sand, loose dirt or gravel in the motors or electrical switches can cause them to jam and could cause switch or motor failure.
- The vehicle can be wiped down with a soft, dry cloth. For a shiny finish, you can wipe plastic parts with a non-wax furniture polish applied to a soft-cloth. Do not use automotive wax. Do not use soap and water or spray the vehicle with a hose.
- To ensure that your vehicle stays in good operating order, we recommend that you periodically have your vehicle checked by a Power Wheels® authorized service center. See page 32 for the list of authorized service centers or call **1-800-348-0751** for the location of the authorized service center nearest you.

# M

## Problems and Solutions Guide

**IMPORTANT!** If you experience a problem with your vehicle, first check the Problems and Solutions Guide below. If you still experience a problem, please contact Power Wheels® Consumer Affairs, toll-free at **1-800-348-0751** between 8 AM and 5 PM (EST) Monday through Friday. Or, contact your local Power Wheels® authorized service center. For the location nearest you, please refer to the Authorized Service Center list beginning on page 32.

Problem	Possible Cause	Solution
Vehicle does not run	Undercharged battery	Charge the battery. A new battery should have been charged for at least 18 hours before using the vehicle for the first time. After first-time use, recharge the battery for at least 14 hours after each use. Never charge the battery longer than 30 hours.
		Check all connectors. Make sure the charger connector is plugged into the battery, and that the charger is plugged into the wall.
		Make sure power flow to the wall outlet is "ON".
	Charger is not working	There is no sure way to tell if your charger is working unless you have a volt meter. If you suspect there is a problem with your charger, contact your local Power Wheels® authorized service center. They can test your charger for you.
	Tripped thermal fuse	Each Power Wheels® 12 volt battery has a built-in thermal fuse. A thermal fuse may "trip" and shut down operation of the vehicle if the vehicle is overloaded or the driving conditions too severe. The fuse will automatically reset itself after approximately 25 seconds, allowing the vehicle to resume normal operation. To avoid repeated automatic shutdowns, do not overload the vehicle by exceeding the 130 lb. maximum weight capacity or by towing anything behind the vehicle. Avoid severe driving up very steep hills or running into fixed objects, which can cause the wheels to stop spinning while power is still being supplied to the motors. If a thermal fuse continually trips, contact your local Power Wheels® authorized service center.
	Loose wire or loose connectors	Check all wires and connectors. Make sure the motor harness connector is plugged into the battery, and that there are no loose wires around the motors.
	Dead battery	If your battery is old or if you have not followed Battery Care instructions, your battery may be dead. If you are unsure whether or not the battery is dead, you can have it tested at your local Power Wheels® authorized service center.
	Electrical switch damage	The electrical switches can become corroded due to exposure to water or moisture, or can jam due to loose dirt, sand or gravel. Contact your local Power Wheels® authorized service center for diagnosis and repair.
Motor damage	Contact your local Power Wheels® authorized service center for diagnosis and repair.	

# Problems and Solutions Guide

Problem	Possible Cause	Solution
Vehicle was running but suddenly stopped	Loose wire or loose connectors	Check all wires and connectors. Make sure the motor harness connector is plugged into the battery, and that there are no loose wires around the motors.
	Tripped thermal fuse	Each Power Wheels® 12 volt battery has a built-in thermal fuse. A thermal fuse may "trip" and shut down operation of the vehicle if the vehicle is overloaded or the driving conditions too severe. The fuse will automatically reset itself after approximately 25 seconds, allowing the vehicle to resume normal operation. To avoid repeated automatic shutdowns, do not overload the vehicle by exceeding the 130 lb. maximum weight capacity or by towing anything behind the vehicle. Avoid severe driving up very steep hills or running into fixed objects, which can cause the wheels to stop spinning while power is still being supplied to the motors. If a thermal fuse continually trips, contact your local Power Wheels® authorized service center.
Short run time (Less than 1 - 3 hours per charge)	Undercharged battery	Charge the battery. A new battery should have been charged for at least 18 hours before using the vehicle for the first time. After first-time use, recharge the battery for at least 14 hours after each use. Never charge the battery longer than 30 hours.
		Check all wires and connectors. Make sure the charger connector is plugged into the battery, and that the charger is plugged into the wall.
		Make sure power flow to the wall outlet is "ON".
	Overcharged battery	Do not charge the battery longer than 30 hours. If you suspect that your battery is damaged as a result of overcharging, contact your local Power Wheels® authorized service center. They can test your battery for you.
	Battery is old and will not accept full charge	Even with proper care, a rechargeable battery does not last forever. Average battery life is 1 to 3 years depending on vehicle use and use conditions. Replace the battery with a new Power Wheels® 12 volt rechargeable battery. For best performance, do not use substitute parts.
	Tripped thermal fuse	Each Power Wheels® 12 volt battery has a built-in thermal fuse. A thermal fuse may "trip" and shut down operation of the vehicle if the vehicle is overloaded or the driving conditions too severe. The fuse will automatically reset itself after approximately 25 seconds, allowing the vehicle to resume normal operation. To avoid repeated automatic shutdowns, do not overload the vehicle by exceeding the 130 lb. maximum weight capacity or by towing anything behind the vehicle. Avoid severe driving up very steep hills or running into fixed objects, which can cause the wheels to stop spinning while power is still being supplied to the motors. If a thermal fuse continually trips, contact your local Power Wheels® authorized service center.

# Problems and Solutions Guide

Problem	Possible Cause	Solution
Vehicle runs sluggishly	Undercharged battery	Charge the battery. A new battery should have been charged for at least 18 hours before using the vehicle for the first time. After first-time use, recharge the battery for at least 14 hours after each use. Never charge the battery longer than 30 hours.
		Check all connectors. Make sure the charger connector is plugged into the battery, and that the charger is plugged into the wall.
		Make sure power flow to the wall outlet is "ON".
	Battery needs charging	After approximately 3 hours of constant use, the battery needs charging.
	Battery is old and will not accept full charge	Even with proper care, a rechargeable battery does not last forever. Average battery life is 1 to 3 years depending on the vehicle use and use conditions. Replace the battery with a new Power Wheels® 12 volt rechargeable battery. For best performance, do not use substitute parts.
	Vehicle is overloaded	Make sure you do not overload the vehicle by allowing more than 2 riders at one time, by exceeding the 130 lb. maximum weight capacity, or by towing objects behind the vehicle.
	Driving conditions are too stressful	Use only on gentle inclines or slopes of 10° or less.
Vehicle runs in low speed, but does not run in high speed  (Please Note: The vehicle is designed to operate in low speed only in reverse (♥).)	High speed lock-out not disconnected	The vehicle was pre-set to run only in low speed. To allow the vehicle to run in low and high speed, you must disconnect the High Speed Lock-Out. <b>Follow the instructions on page 27 to remove the High Speed Lock-Out screw.</b>
When the foot pedal is pressed only one rear wheel spins	Operation of vehicle in low speed	It is possible that only one rear wheel may spin when both rear wheels are raised off the ground and the vehicle is in low speed. This does not necessarily indicate a problem. Check for proper operation of the drive system by raising the rear wheels off the ground and pressing the foot pedal. If only one rear wheel spins, carefully press your hand on the spinning wheel to slow it down. The other rear wheel should begin to spin. If the other rear wheel does not begin to spin, there may be a problem with the vehicle. Contact your local Power Wheels® authorized service center for diagnosis and repair.
Sometimes the vehicle doesn't run, but other times it does	Loose wire or connector	Check all wires around the motors and all connectors to make sure they are tight.
	Motor or electrical switch damage	Contact your local Power Wheels® authorized service center for diagnosis and repair.

# Problems and Solutions Guide

Problem	Possible Cause	Solution
When the foot pedal is pressed, the vehicle won't run without a push	Loose wire or connector	Check all wires around the motors and all connectors to make sure they are tight.
	"Dead Spot" on motor	Contact your local Power Wheels® authorized service center for diagnosis and repair.
Loud clacking or grinding noise from a motor-gearbox	Broken gears	Contact your local Power Wheels® authorized service center for diagnosis and repair.
Sound box not working	Improperly installed batteries	The sound box requires three "AA" alkaline batteries for operation. Make sure the batteries are properly installed in the sound box.
	Dead batteries	Replace the sound box batteries with three, new "AA" (LR6) alkaline batteries.
Charger gets warm during use	It is normal for some chargers to get warm during use and is not reason for concern.	No action required.  If your charger does not get warm during use, it does not mean that it is not working properly.
Battery makes a sizzling or gurgling noise when charging	It is normal for some battery to make noise and swell slightly while charging and is not reason for concern.	No action required.  If your battery does not make noise or swell slightly during charging, it does not mean that it is not accepting the charge.

If, after reviewing the Problems and Solutions Guide, the vehicle still fails to operate, please contact your nearest authorized service center (see page 32) or contact Power Wheels® Consumer Affairs toll-free at **1-800-348-0751**.

**Helpful Hint!** For faster service when calling Consumer Affairs, completely charge the batteries before calling and have the following available by the phone:

- vehicle,
- vehicle model number (see sticker in battery compartment),
- vehicle production run number (see sticker in battery compartment).

# N

## Bumper-to-Bumper\* Limited Warranty

**\*One year limited warranty from the date of purchase on the Power Wheels® vehicle.  
Six month limited warranty on the 12 volt battery.**

For the original purchaser, this one year limited warranty covers the Power Wheels® ride-on vehicle (purchased from Power Wheels®) against defects in materials and workmanship. The six month limited warranty applies only to the 12 volt battery included by Power Wheels® with the original purchase of the vehicle.

This warranty covers normal use and does not cover the Power Wheels® vehicle or battery if damaged by unreasonable use, neglect, accident, abuse, misuse, improper service or other causes not arising out of defects in materials or workmanship. Evidence of any attempt at consumer repair will void this warranty. This warranty does

not cover, and is intended to exclude, any liability on the part of Power Wheels®, whether under this warranty or implied by law or any indirect or consequential damages for breach of warranty. Some states do not allow the exclusion or limitation so this limitation may not apply to you.

Should you need service or assistance with your vehicle during the warranty period, **do not return the vehicle to the store.** Power Wheels® has provided a nationwide network of authorized service centers. Please refer to the list in this manual. Power Wheels® is continually expanding our Authorized Service Center Network. If there is not an authorized service center in your area, please call Consumer Affairs for information, **1-800-348-0751.**

This warranty gives you specific legal rights, and you may also have other rights which may vary from state to state. **Please save your original sales receipt.**

# O

## Authorized Service Centers

**We are continually expanding our Authorized Service Center Network. Please check this listing for the Authorized Service Center nearest you. If there is not one in your area, please call Power Wheels® Consumer Affairs at 1-800-348-0751.**

### ALABAMA

**BIRMINGHAM** - Frigid Appliance Center, 1861 Centerpoint Rd., 35215, (205) 853-3952  
**BIRMINGHAM** - Frigid Appliance Center, 701 Graymont Ave. North, 35203, (205) 323-5831  
**DECATUR** - Peddler II, 1308 Fairway Drive SE, 35601, (205) 350-1044  
**DOTHAN** - Bill's Appliance Service, 208 Bic Rd., 36303, (334) 792-7746  
**DOUGLAS** - Brown Hardware #4916, Highway 75, 35964, (256) 593-6086  
**HOMEWOOD** - Frigid Appliance Center, 154 West Valley Ave. 35209, (205) 942-3959  
**MONTGOMERY** - Acme Service Co., 2603 Highland Ave., 36107, (334) 264-2456  
**TROY** - Specialty Batteries, 1317 South Brundidge St., 36081, (334) 670-6800, Toll Free: (800)-477-8230

### ALASKA

**ANCHORAGE** - Ken's Electronics Service, 360 E. International, 99518, (907) 562-3443

### ARIZONA

**GLENDALE** - Elliott Electric Appliance, 6242 N. 43rd Ave., 85301, (602) 937-2613  
**SCOTTSDALE** - Elliott Electric Appliance, 7515 E. McDowell Road, 85257, (602) 946-7487  
**TUCSON** - Arizona Small Appliance Service, 5033 E. 5th Street, 85711, (520) 325-3988

### ARKANSAS

**FT. SMITH** - Bromley Appliance Service, 614 North 10th Street, 72901, (501) 782-9646  
**JONESBORO** - Jonesboro Sewing & Vac, 1420 South Caraway Road, 72401, (870) 931-9600, (800) 530-7656  
**LITTLE ROCK** - C & W Tool Repair, 1400 South Main St., 72202, (501) 374-1911  
**ROGERS** - Kressels Vacuum & Repair, 115 North 5th St., 72756, (501) 636-7894  
**STUTTGART** - Davis Lumber Company, 301 East Michigan, 72160, (870) 673-3601

### CALIFORNIA

**ANDERSON** - Hardware Express #0572, Do It Best, 96007, (530) 365-3783  
**BAKERSFIELD** - Southwest TV, 6300 White Lane, Suite B, 93309, (805) 397-4940  
**CONCORD** - Ca. Electric Service Inc., 1170-G Burnett Ave., 94520, (925) 827-1011  
**COVINA** - Ca. Electric Service Inc., 612 Shoppers Ln., 91723, (626) 915-4935  
**FORT JONES** - Ft. Jones Frontier Hardware, 11911 Main Street, 96032, (916) 468-2266  
**FRESNO** - Valley Small Appliance, 4005 E. Ashlan Ave., 93726, (209) 224-5530  
**FULLERTON** - Ca. Electric Service Inc., 1208 E. Ash Avenue, 92831, (714) 870-0900  
**LOS ALAMITOS** - Ca. Electric Service Inc., 11284 Los Alamitos Blvd., 90720, (562) 430-2668  
**MERCED** - Moosehead Electronics, 920 W. 18th Street, 95340, (209) 723-4712  
**MISSION VIEJO** - Ca. Electric Service Inc., 23725 Via Fabricante, 92691, (714) 586-9440  
**OAKLAND** - Ca. Electric Service Inc., 2301 Broadway, 94612, (510) 834-1050  
**OXNARD** - Tiny's / The Clean-up Store, 1237 Saviers Road, 93033, (805) 487-9401  
**PASADENA** - Ca. Electric Service Inc., 2594 E. Colorado Blvd., 91107, (626) 792-3194  
**SACRAMENTO** - Ca. Electric Service Inc., 1717 Bell Street, 95825, (916) 648-1604  
**SALINAS** - SRS Hobbies, 1038A North Davis Road, 93907, (831) 424-4044, (800) 414-4547  
**SAN DIEGO** - Ca. Electric Service Inc., 3440 El Cajon Blvd., 92104, (619) 283-6488  
**SAN FRANCISCO** - Ca. Electric Service Inc., 3934 Geary Blvd., 94118, (415) 386-4500

**SAN JOSE** - Ca. Electric Service Inc., 481 South Bascom Ave., 95128, (408) 295-1722  
**SANTA ROSA** - Hardisty's Inc., 710 Farmers Lane, 95405, (707) 545-0535  
**SKY FOREST** - Sky Forest Electrical, 26870 Highway 18, 92385, (909) 337-0811  
**STOCKTON** - California Electronics, 929 North Yosemite Street, 95203, (209) 466-5432  
**TEMECULA** - Ca. Electric Service Inc., 41715 Enterprise Circle, 92590, (909) 695-5445  
**VAN NUYS** - Ca. Electric Service Inc., 14753 Oxnard Blvd., 91411, (818) 997-8855  
**WEST LOS ANGELES** - Ca. Electric Service Inc., 2314 S. Westwood Blvd., 90064, (310) 475-2532  
**YUCAIPA** - Aire-Rite Heating & A/C, 34724 Yucaipa Blvd., 92399, (909) 797-2788

### COLORADO

**COLORADO SPRINGS** - Nelson Appliance Repair, Inc., 1220 E. Fillmore, 80907, (719) 635-1928, (800) 291-8010  
**DENVER** - Appliance Service, 4262 Lowell Blvd., 80211, (303) 458-1109  
**ENGLEWOOD** - Appliance Service, 3932 S. Broadway, 80110, (303) 781-1227, (800) 553-1864  
**GRAND JUNCTION** - V & L Appliance Service, 591 25 Road Suite A6, 81506, (970) 243-3360  
**PUEBLO** - Direct Maytag Home Appliance Co., 1407 Santa Fe Drive, 81006, (719) 543-0777

### CONNECTICUT

**HAMDEN** - New Haven Appliance, 1627 Dixwell Ave., 06514, (203) 288-6229  
**HARTFORD** - Hartford Element & Appliance, 1500 Albany Avenue, 06112, (860) 246-7424, (800) 787-9777  
**SHELTON** - Jeff's Appliance, Inc., 500 A Howe Avenue, 06484, (203) 924-8997  
**STAMFORD** - Appliance Service of Stamford, 15 Cedar Heights Road, 06905, (203) 322-7656  
**WATERBURY** - P.J. Appliance Repair, 935 South Main Street, 06706, (203) 757-1014



# Authorized Service Centers

## DELAWARE

**SELBYVILLE** - Ahern & Son, Inc., #2 S. Dupont Hwy Rt. 2, 19975, (302) 436-4100  
**WILMINGTON** - Lyons Hardware Do-It Center, 2021 Kirkwood Highway, 19805, (302) 995-1260

## DF

**MEXICO** - S.E.G.E.S.A., Calz De Tlalpan 1172-A, CP3540

## FLORIDA

**ATLANTIC BEACH** - First Coast Repair, 25 Seminole Road, 32233, (904) 246-4616  
**CAPE CORAL** - Family Hardware #0827 Do-It Express, 33904, (941) 542-6365  
**DELRAY BEACH** - Mister Fixit, 209 S.E. 2nd Avenue, 33483, (561) 243-9999  
**GAINESVILLE** - Authorized Appliance Service, 2614 South West 34th Street, 32608, (352) 375-3886  
**HIALEAH** - S-O Service Company, 925 Hialeah Drive, 33010, (305) 887-6275  
**HOLLY HILL** - Ormond Element, 1668 Ridgewood Avenue, 32117, (904) 677-3497  
**JACKSONVILLE** - Authorized Appliance, 6120-5 Powers Avenue, 32217, (904) 737-5312  
**LAKELAND** - Electric Shaver & Small Appliance, 4243 S. Florida Avenue, 33813, (941) 644-4690  
**MIAMI** - Goodman's Sales & Service, 13081 SW 133 Court, 33186, (305) 278-8822  
**NORTH PALM BEACH** - Appliance Doctors II, 450 Northlake Blvd., 33408, (561) 845-0377  
**OCALA** - Vacuum Center & Gifts, 2012 South Pine Avenue, 34474 (352) 732-6335  
**ORLANDO** - Pine Hills Appliance Svc. Co., 6100-4 W. Colonial Drive, 32808, (407) 299-1271  
**ORLANDO** - Southern Electric Co., 510 N. Parramore Avenue, 32801, (407) 841-8824, (800) 940-8824  
**PANAMA CITY** - Callaway Vacuum & Sewing, 221 N. Tyndall Parkway, 32404, (850) 763-7443  
**PENSACOLA** - Foster's Appliance Repair, 3836 N. Davis Highway, 32503, (850) 432-8853  
**POMPANO BEACH** - Authorized Appliance, 2171 North Dixie Highway, 33060, (954) 941-2038  
**PORT ST. LUCIE** - Hoppe's Authorized Vac & Appliance, 6735 South Federal Hwy, 34952, (561) 464-0102  
**SARASOTA** - Sunray Small Appliance, 8371 N. Tamiami, Tr US-41, 34243, (941) 358-9999, (800) 895-5655  
**SEBRING** - Ace Hardware of Sebring, 305 US 27 North, 33870, (941) 385-2785  
**SPRING HILL** - Ace Hardware #5304F, 5350 Spring Hill Drive, 34606, (352) 686-4743  
**ST. PETERSBURG** - Keystone Electric, 4604 Central Avenue, 33711, (813) 321-1124  
**STUART** - Appliance Doctors, 3166 S.E. Dixie Highway, 34997, (561) 287-6437  
**SUNRISE** - Muller Appliance Service, 2116 N. University Drive, 33322, (954) 749-5460  
**TAMPA** - Authorized Appliance Service Co., Dibbs Plaza, 33624, (813) 968-6638  
**VERO BEACH** - Hoppe's Authorized Vac & Appliance, 1872 Commerce Avenue, 32960, (561) 562-4466  
**WEST PALM BEACH** - Satisfaction TV Video, 1980 S. Congress Avenue, 33406, (561) 439-3733, (800) 477-3734

## GEORGIA

**ATLANTA** - Georgia Service Center, 5366 Buford Highway, 30340, (770) 455-1716, (800) 455-1715  
**AUGUSTA** - A & A Appliance Parts & Service, 1708 Walton Way, 30904, (706) 733-5163  
**BRUNSWICK** - Arco Hardware & Supply, 3711 Community Road, 31520, (912) 267-0771  
**COLUMBUS** - Burrell's National Appliance Service, 1728 Warm Springs Road, 31904, (706) 327-0523  
**GAINESVILLE** - Bike Town USA, 1604 Dawsonville Hwy., 30501, (770) 532-7090  
**LOGANVILLE** - Mtn. Mower Sales and Service, 380-A Hwy. 78, 30249, (770) 466-9111  
**MARIETTA** - Philips Consumer Electronics, 200 N. Cobb Parkway, 30062, (770) 795-0085  
**SAVANNAH** - Hagins Appliance Service, 3 West Victory Drive, 31405, (912) 233-8372

**TIFTON** - Western Auto, 354 South Main Street, 31794, (912) 382-5767  
**VALDOSTA** - Harry B. Anderson, Inc. Western Auto, 31601, (912) 242-5945  
**WOODSTOCK** - All City Appliance Inc., 8477 Hwy 92 Suite 110, 30189, (770) 924-2375

## HAWAII

**HONOLULU** - McCully Bicycle & Sporting Goods, 932 Hausten Street, 96826, (808) 946-1192  
**WAILUKU** - Tom's Appliance Sales & Service, 1816 Mill Street Suite 104, 96793, (808) 244-6278  
**WAIPAHU** - Waipahu Bicycle, 94-320 Depot Street, 96797, (808) 671-4091

## IDAHO

**BOISE** - Boise Appliance, 1503 Main Street, 83702, (208) 343-0102

## ILLINOIS

**CHAMPAIGN** - Appliance Parts & Service, 905 Francis, 61821, (217) 355-0220  
**DECATUR** - Rexx Battery of Decatur, 1330 E. Eldorado Street, 62521, (217) 422-0281  
**DOWNER'S GROVE** - Authorized Appl. Svc. Co., 1644 W. Ogden Ave., 60515, (630) 852-1550, (800) 829-1798  
**JACKSONVILLE** - Rexx Battery Specialists, 847 South Main Street, 62650, (217) 245-2713  
**LINCOLN** - Rexx Battery Specialists, 504 Keokuk, 62656, (217) 732-2885  
**MORTON GROVE** - Brand Parts & Repair Center, 5618 Dempster Street, 60053, (847) 965-5900  
**MT. VERNON** - Battery Specialists, 1018 South 10th, 62864, (618) 244-0091  
**NASHVILLE** - Kesel Hardware #5399, 173 West St. Louis, 62263, (618) 327-8957  
**NILES** - Household Appl Sales & Service, 7411 N. Milwaukee Ave., 60714, (847) 647-8250, (800) 572-6826  
**PEORIA** - Rexx Battery Specialists, 3033 North University, 61604, (309) 687-3564  
**ROCKFORD** - Sun Appliance Sales & Service, 3112 N. Rockton Avenue, 61103, (815) 964-3866  
**SPRINGFIELD** - Rexx Battery Co. Inc., 2505 South Grand East, 62703, (217) 535-4096  
**TAYLORVILLE** - Battery Specialists +, Golf Cars, 62568, (217) 824-3943

## INDIANA

**EVANSVILLE** - Electro Hygiene Co., 1614 South Kentucky, 47714, (812) 425-2671  
**FT. WAYNE** - HWI Hardware & Paint, 6043 Stellhorn Road, 46835, (219) 485-8861  
**FT. WAYNE** - Southside Vacuum Co. Inc., 3702 S. Calhoun St., 46807, (219) 745-7788, (888) 209-8113  
**INDIANAPOLIS** - Brand Appl Svctr Inc., 1827 N. Meridian Street, 46202, (317) 924-1386  
**INDIANAPOLIS** - Sullivan Do-It Center #957, 7021 N. Keystone, 46220, (317) 255-9230  
**NEW ALBANY** - Wells Hardware #1607, 1011 Vincennes Street, 47150, (812) 944-4523  
**OSCEOLA** - AAA Appliance Service Co., 11868 Lincoln Way West, 46561, (219) 679-4981  
**SOUTH BEND** - Ray's TV and Appliance, 60717 US 31 South, 46614, (219) 291-1630

## IOWA

**BETTENDORF** - K & K True Value Hardware, 1818 Grant Street, 52722, (319) 359-4473  
**CEDAR RAPIDS** - Stalker Electric Inc., 110 3rd Ave. SW, 52404, (319) 364-5646  
**COUNCIL BLUFFS** - Millard Television Inc., 1840 Madison Avenue, 51501, (712) 322-9552  
**DES MOINES** - Quality Appliance Repair Center, 1417 Walnut Street, 50309, (515) 288-0108  
**DUBUQUE** - Shavers Plus, 1824 Central Avenue, 52001, (319) 556-4442  
**FT. DODGE** - Messerly Electronics, 614 1st Avenue South, 50501, (515) 576-4480  
**GRINNEL** - Bikes To You, Inc., 921 Broad Street, 50112, (515) 236-8600  
**SIoux CITY** - Millard Television Inc., 1419 Hamilton Blvd., 51103, (712) 258-3435

## KANSAS

**COLBY** - Gavon's Electronics, 1870 South Range, 67701, (785) 462-6601  
**JUNCTION CITY** - R/C Hobbies, 115 W. 7th Street, 66441, (785) 238-1877  
**OVERLAND PARK** - Mar-Beck Appliance Service Co. Inc., 8471 West 95th Street, 66212, (913) 642-1557  
**WICHITA** - Alan Appliance Service, Inc., 1300 E. Central, 67214, (316) 262-7228, (800) 290-7228

## KENTUCKY

**GREENVILLE** - Malone Lumber Do-It Center, 204 W. Depot Street, 42345, (502) 338-3252  
**LOUISVILLE** - Maury's Appliance Service, 1521 Bardstown Road, 40205, (502) 456-1671  
**MADISONVILLE** - Kuester's Hardware, North Main St., 42431, (502) 825-2818  
**MT. WASHINGTON** - Mt. Washington Auto, Box 316 520 N. Bardstown, 40047, (502) 538-4296  
**OWENSBORO** - Kuester's Inc., 1210 Carter Road, 42301, (502) 685-4916  
**PADUCAH** - Hank Brothers True Value, 3101 Lone Oak Road, 42003, (502) 554-4001

## LOUISIANA

**ALEXANDRIA** - Red River Cyclery, 3724 South MacArthur Dr., 71302, (318) 473-4256  
**BAKER** - Gayle Batt. Distributors, 16555 Plank Road, 70714, (504) 774-7475, (800) 965-3258  
**BATON ROUGE** - Home Appliance Service, Inc., 10781 Florida Blvd., 70815, (504) 272-7727  
**HAMMOND** - Battery Depot, 207 East Thomas Street, 70401, (504) 542-4983  
**HOUMA** - Terrebonne Marine, 1201 St. Charles Street, 70360, (504) 872-3314  
**LAFAYETTE** - Cullen's Playland, 4498 Johnston Street, 70503, (318) 981-2929  
**LAKE CHARLES** - Capitol Schwinn Cyclery, 722 E. Prien Lake Road, 70605, (318) 474-9090  
**METAIRIE** - Le Jouet Inc., 1700 Airline Hwy, 70001, (504) 837-0533  
**MORGAN CITY** - Sam's Sales & Service, Inc., 408 Roderick Street, 70380, (504) 384-1428  
**NEW IBERIA** - Voorhies Supply Co. Inc., 401 W. St. Peter Street, 70560, (318) 364-2431  
**SHREVEPORT** - Shreveport Shaver and Appliance, 9750 St. Vincent, 71106, (318) 865-5088, (800) 349-7722

## MAINE

**BANGOR** - Adco Surgical Supply Co., 1292 Hammond St., 04401, (207) 942-5273, (800) 727-5273  
**GREENE** - Brule's Auto Clinic & Sales, 968 Sawyer Road, 04236, (207) 375-4872, (800) 339-4872  
**PORTLAND** - Colonial Electronics, Inc., 259 St. John Street, 04102, (207) 774-6666

## MARYLAND

**BERLIN** - Myers Auto-Power Tool Rental Co. Inc., 21811, (410) 641-3497  
**GAITHERSBURG** - Waters Appliance Service, 216 E. Diamond Ave., 20877, (301) 258-7500, (800) 225-5009  
**GLEN BURNIE** - Taylor Rental, 7389 Baltimore-Annapolis Blvd., 21061, (410) 768-1933, (800) 836-8464  
**TOWSON** - Duran Service Company, 8741 Mylander Lane, 21286, (410) 321-9033

## MASSACHUSETTS

**LOWELL** - Lowell Appliance Service Center, 564 Dutton Street, 01854, (978) 454-8731  
**MAYNARD** - Gramp's Garage, 16 Main Street, 01754, (978) 461-0463  
**MEDFIELD** - Wills Hardware #4373, 5 Janes Avenue, 02052, (508) 359-4381  
**NEEDHAM** - Suburban Appliance Service Center, 34 Wexford Street, 02194, (781) 449-8787  
**QUINCY** - Appliance Service and Parts Inc., 582 Washington Street, Route 3A, 02169, (617) 773-6656  
**SALEM** - Fix Master Inc., 190 North Street, 01970, (978) 745-0004  
**SPRINGFIELD** - Utility Electric Service, Inc., 810 Main Street, 01101, (413) 781-1635



# Authorized Service Centers

## OKLAHOMA

**MC ALESTER** - Quality Upholstery, 803 E. Gene Stipe Blvd., 74501, (918) 423-4747  
**OKLAHOMA CITY** - Brand Appliance Repair, Co., 538 N. Pennsylvania Avenue, 73107, (405) 235-0583  
**OKLAHOMA CITY** - Appliance Services By CK, 101 East Madison, 73105, (405) 5258862  
**OKLAHOMA CITY** - Oklahoma Service Center, 1940 North May Avenue, 73107, (405) 946-9841  
**TULSA** - H.L. Moss, Inc., 1714 E. 15th Street, 74104, (918) 744-1305, (800) 248-5948

## OREGON

**EUGENE** - Oldfield's, 1465 W 7th, 97402, (541) 485-6000  
**PORTLAND** - Appliance Repair Central, 3203 N. E. Sandy Blvd., 97232, (503) 234-7339, (800) 588-7339  
**SEASIDE** - Distinctive Carpet Care, 407 South Holladay, 97138, (503) 738-3007

## PENNSYLVANIA

**ALTOONA** - Frye's Sweep/Sew Center Inc., 1400 Valley View Blvd., 16602, (814) 943-5001, (800) 640-1308  
**BUTLER** - Battery Warehouse, 469 Cunningham Street, 16001, (724) 287-3191  
**COLLINGDALE** - Kenney Electric, 920 Mac Dade Boulevard, 19023, (610) 534-7373  
**ERIE** - Parke T. Morrow, Inc., 627 W 26th Street, 16508, (814) 455-7566  
**HARRISBURG** - C.A. Juillard Inc., 2301 North Seventh Street, 17110, (717) 233-3488, (800) 633-3488  
**JOHNSTOWN** - Cambria True Value Hardware, West Hills Square, 15905, (814) 255-4752  
**KINGSTON** - Vac-Way Appliance & Service, 595 Market Street, 18704, (717) 288-4508  
**LANCASTER** - Colonial Electronics, 241 West Roseville Rd. Suite 2, 17601, (717) 560-2222  
**MC DONALD** - Small Engine World, 130 E. O'Hara Street, 15057, (724) 926-3330  
**MOSCOW** - Vac-Way Appliance & Service Co., 101 Van Brunt Street, 18444, (717) 842-4668  
**ORANGEVILLE** - Hess Do-It Center & Market, Route 487, Box 4 M, 17859, (717) 683-5162  
**PHILADELPHIA** - Appliance Care & Service Co., 6407 Rising Sun Ave., 19111, (215) 725-3112  
**PITTSBURGH** - Ferry Electric Service Co., 140 Clairton Blvd., 15236, (412) 653-6004  
**PITTSBURGH** - Ferry Electric Service Co., 7498 McKnight Road, 15237, (412) 364-3403  
**READING** - Electric Repair Co., 502-504 North 9th Street, 19604, (610) 376-5444, (800) 422-8171  
**SCRANTON** - Vac-Way Appliance and Service Co., 601 Cedar Avenue, 18505, (717) 343-1121  
**SHAMOKIN DAM** - Willard Battery Outlet, 138 S. Old Trail, 17876, (717) 743-5383  
**TROY** - Hoover Hardware #3958, 9 Canton Street, 16947, (717) 297-3445, (800) 251-2156  
**WILKES-BARRE** - Walter Hardware Do-It Center, 57 N. Welles Street, 18702, (717) 823-1406  
**YORK** - Parcel Plus, 2549 E. Market Street, 17402, (717) 757-1875

## PUERTO RICO

**HATILLO** - Tropical Parts Service, Carr 130km 8.5 B0. Pajui 00659, (809) 898-6474  
**MAYAGUEZ** - Cardona Appliance Service, 8 San Vicente Street, 00680, (809) 832-8366  
**MAYAGUEZ** - AAA Melendez Rental & Repair, Calle Post #319 Sur, 00680, (787) 832-5225  
**PONCE** - Ferreteria Vivian, 775 Calle Caoba, 00731, (787) 840-0677  
**PUERTO NUEVO** - Buckeye Service, 1013 Jesus T. Pinero Avenue, 00920, (787) 782-6175

## RHODE ISLAND

## SOUTH CAROLINA

**AIKEN** - Dunagan's Sewing & Vac, 1536 Whiskey Road, 29803, (803) 649-6777  
**CHARLESTON HEIGHTS** - Dorchester Electric Service, 3575 Dorchester Avenue, 29405, (843) 747-5221  
**COLUMBIA** - Authorized Appliance Service Center, 1811 Taylor Street, 29202, (803) 254-8414

**DARLINGTON** - Hobbies and More, 1570 South Main Street, 29532, (843) 393-0355  
**EASLEY** - Trails End Bicycles, 110 Pendleton Street, 29640, (864) 306-1684  
**FORT MILL** - Service Engines Inc., 3356 SC Hwy 51 29715, (803) 548-1778, (800) 845-1191  
**GREENWOOD** - Bikes & Boards & Mopeds, 203A Montague Avenue, 29646, (864) 229-2453  
**SENECA** - Seneca Micronics #110 East North First St., 29678, (864) 882-6580  
**SPARTANBURG** - Boiling Springs Hardware, 3124 Boiling Springs Rd, 29303, (864) 578-1852

## SOUTH DAKOTA

**WINNER** - Nelwon Electronics Inc., 422 West 2nd Street, 57580, (605) 842-1611

## TENNESSEE

**DANDRIDGE** - Save More Sales, Highway 25-70 Bldg. 259, 37725, (423) 397-1255  
**CHATTANOOGA** - Light Electric Company, 739 East 11th Street, 37403, (423) 267-9224  
**KNOXVILLE** - Appliance & Electric Service, 5309-A Kingston Pike, 37919, (423) 588-5395, (800) 585-5395  
**KNOXVILLE** - Authorized Appliance Service Center, 1206 North Central Street, 37917, (423) 524-3376  
**MEMPHIS** - Camp Electric, 647 Madison Avenue, 38103, (901) 527-7543, (800) 238-7345  
**NASHVILLE** - Webb's Appliance Service Center, 1519 Church Street, 37203, (615) 329-4079, (800) 899-4079

## TEXAS

**ABILENE** - Mike's Bikes, 3317 South 1st Street, 79602, (915) 672-1853  
**AMARILLO** - Reid's Appliance Service, Inc., 906 Georgia, 79102, (806) 373-8812  
**AUSTIN** - Harrell Supply and Service, Inc., 5435 Burnet Road, 78756, (512) 451-6464, (800) 332-7250  
**AUSTIN** - Harrell Supply and Service, Inc., 1409 West Oltorf, 78704, (512) 442-5966  
**CORPUS CHRISTI** - Brand Appliance & Microwave, 2751 South Staples, 78404, (512) 854-1851  
**DALLAS** - All Type Sales and Service, 2835 Irving Blvd., 75207, (214) 638-1170, (800) 717-1170  
**DALLAS** - Pearsol Appliance Co., 3127 Main Street, 75226, (214) 939-0930, (800) 527-7385  
**FT. WORTH** - Ft. Worth Shaver and Appliance, 1012 West 7th Street, 76102, (817) 335-9970  
**HOUSTON** - Brand Appliance Service Center, 1970 FM 1960 W, 77090, (281) 537-7795  
**HOUSTON** - Brand Appliance Service Center, 5727 Richmond Avenue, 77057, (713) 782-8910  
**KILLEEN** - Master Tech Repairs, 501 W. Elms Rd. Suite #10, 76542, (254) 618-5480  
**LAREDO** - Rubio Electric Co., 1719 San Bernardo, 78040, (956) 722-3908  
**LONGVIEW** - Foster's, 3315 Gilmer Road, 75604, (903) 759-3939  
**LUBBOCK** - Minter's, 4409 50th Street, 79414, (806) 799-3170  
**LUFKIN** - STS Audio and Video, 1505 South First Street, 75901, (409) 639-4529  
**MC ALLEN** - All-In-One Repair Shop, 2313 Lark Avenue, 78504, (956) 682-8858  
**MIDLAND** - Midland Tool Specialty, 918 South Main, 79701, (915) 682-4647, (800) 499-0755  
**PASADENA** - Larry's TV Service Inc., 3520 Fairmont Parkway, 77504, (281) 998-0122, (800) 244-0281  
**ROKMA** - True Value Hardware, 1004 E. Highway 83, 78584, (956) 849-1322  
**SAN ANTONIO** - Brand Appliance Sales & Service, 6435 San Pedro Avenue, 78216, (210) 344-8577  
**SEYMOUR** - Western Auto #5341, 211 N. Main Street, 76380, (940) 888-3980  
**TEMPLE** - Master Tech Repairs, 2819 West Avenue North, 76504, (254) 773-8991  
**VICTORIA** - Tom's Video Service, 211 East Anaqua, 77901, (512) 576-0664, (800) 433-0664  
**WICHITA FALLS** - Burke's Appliance Service, 2410 10th Street, 76309, (817) 723-6211

## UTAH

**OREM** - The Mending Shed, 1735 South State Street, 84058, (801) 225-8012, (800) 339-9297  
**SALT LAKE CITY** - Appliance Service Center, Inc., 1475 South Main, 84115, (801) 467-6361

## VERMONT

**RUTLAND** - Appliance Service Center Ltd., 152 Woodstock Avenue, 05701, (802) 773-8917  
**RUTLAND** - Foley's Equipment Care Center, 7 Pine Street, 05702, (802) 773-8917

## VIRGINIA

**HARRISONBURG** - J.L. Maintenance & Repair, 1420 Virginia Avenue, 22802, (540) 434-4040, (800) 2960-9844  
**LUISA** - Lakeside Electric Contractors, 4344 Davis Hwy Ste 2, 23093, (540) 967-3000  
**NORFOLK** - Commonwealth Electric Shaver, 6614 Virginia Beach Blvd., 23502, (757) 461-4475  
**RICHMOND** - Wells, Inc., 3502 Jefferson Davis Hwy., 23234, (804) 233-6726  
**ROANOKE** - Commonwealth Electric Shaver, 5524 Williamson Road NW, 24012, (540) 366-6038  
**SOUTH BOSTON** - South Boston True Value, 307 Broad Street, 24592, (804) 572-6666  
**VIENNA** - Appliance Fix-It, 8455 Tyco Road, 22182, (703) 893-1234  
**WINCHESTER** - Battery Mart of Winchester, 1 Battery Dr., 22601, (540) 665-0065

## WASHINGTON

**BELLEVUE** - Action Small Appliance, 1500 145th Place SE, 98007, (425) 643-9806, (888) 643-9806  
**FEDERAL WAY** - Martha Lake Electronics, 2118 South 314th Street, 98003, (253) 946-9033  
**LYNNWOOD** - Martha Lake Electronics, 16521 13th Ave. W., 98037, (425) 743-4178  
**RENTON** - Martha Lake Electronics, 212 South West 43rd, 98055, (425) 251-5417  
**SEATTLE** - Action Small Appliance, 2125-2nd Ave., 98121, (206) 448-2020  
**SPOKANE** - AALWACO Appliance Service, E. 3403 Euclid Avenue, 99217, (509) 487-1089  
**TACOMA** - Martha Lake Electronics, 2913 South 38th Street, 98409, (253) 475-0668  
**WENATCHEE** - Motor Mart, 150 Marr, 98801, (509) 663-4237, (800) 696-9422

## WEST VIRGINIA

**BECKLEY** - Jerry's Detectors, Vacuum & Appl., 411 Second Street, 25801, (304) 253-3521  
**CHARLESTON** - Sneed's Vacuum & Sewing Center, 2614 7th Avenue, 25312, (304) 744-3670, (800) 245-8048  
**HARRISVILLE** - Western Auto Assoc. Store, 1107 E. Main St., 26362, (304) 643-2226  
**HUNTINGTON** - Mike's Appliance and Service, 212 20th Street, 25703, (304) 522-0737  
**MARTINSBURG** - Battery Mart, 1161-3 Winchester Avenue, 25401, (304) 267-7033, (800) 464-7918  
**WHEELING** - Fast Service Center, 1058 Main Street, 26003, (304) 232-5561 (800) 874-4090

## WISCONSIN

**GREEN BAY** - Kastle Carts, 3990 Evergreen Ave., 54313, (920) 465-6121  
**LACROSSE** - Paul's Shaver Service, 1224 Caledonia Street, 54603, (608) 782-6291  
**MARINETTE** - Delta Do-It Center, W 1536 Highway 41, 54143, (715) 732-1768  
**MILWAUKEE** - Brand Appliance Repair, Inc., 3707 North 92nd Street, 53222, (414) 461-0440  
**MILWAUKEE** - Brand Appliance Repair, Inc., 6000 W. Oklahoma Ave., 53219, (414) 541-4340  
**MONONA** - Kiefers Shaver and Appliance, 4511 Monona Drive, 53716, (608) 221-3322



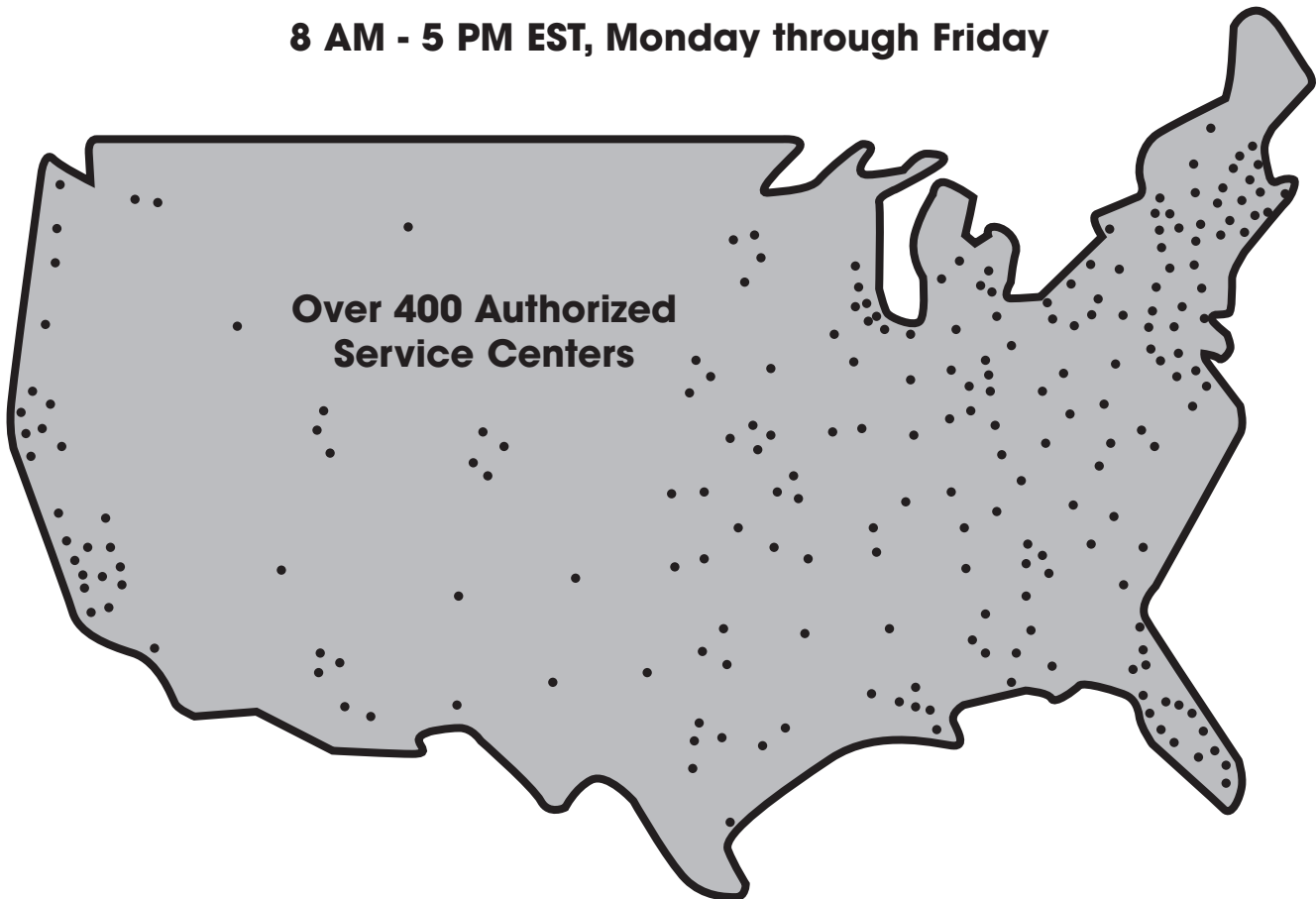
## Do Not Return Your Vehicle to the Store

If you are missing parts or need assistance, please call us toll-free:

**Power Wheels Consumer Affairs**

**1-800-348-0751**

**8 AM - 5 PM EST, Monday through Friday**



Or contact your local Power Wheels® Authorized Service Center.

For the location nearest you, refer to the  
Authorized Service Center list in this manual.

JEEP and the Jeep grille design are registered trademarks of DaimlerChrysler Corporation and are used under license.  
©DaimlerChrysler Corporation

Goodyear (and winged foot design) and Wrangler (for tires) are trademarks  
of The Goodyear Tire & Rubber Company, used with permission.

Fisher-Price, Power Wheels and Power Wheels by Fisher-Price are U.S. trademarks of Mattel, Inc.

Fisher-Price, Inc., a subsidiary of Mattel, Inc., East Aurora, New York 14052.

©1999 Mattel, Inc. All Rights Reserved.

## Free Manuals Download Website

<http://myh66.com>

<http://usermanuals.us>

<http://www.somanuals.com>

<http://www.4manuals.cc>

<http://www.manual-lib.com>

<http://www.404manual.com>

<http://www.luxmanual.com>

<http://aubethermostatmanual.com>

Golf course search by state

<http://golfingnear.com>

Email search by domain

<http://emailbydomain.com>

Auto manuals search

<http://auto.somanuals.com>

TV manuals search

<http://tv.somanuals.com>