

**POWER  
WHEELS**  
by Fisher-Price®

**Barbie™** Sport  
Mobile™



Product features may vary from the picture above.

## **Owner's Manual with Assembly Instructions**

Please read this manual and save it with your original sales receipt.

**For Model 74558**

Tools needed for assembly: Phillips Screwdriver, Hammer, and Pliers (not included).  
Cap Nut Assembly Tool (included).

Use only with Power Wheels® 6 Volt Batteries, Power Wheels® Thermal Fuses  
and Power Wheels® 12 Volt Charger (all included).

# Table of Contents

<b>A</b>	Important Information	.2
<b>B</b>	Warnings	.3
<b>C</b>	Parts	.4
<b>D</b>	Parts Diagram	.6
<b>E</b>	Battery Charging	.7
<b>F</b>	Assembly	.9
<b>G</b>	Label Decoration	.15
<b>H</b>	Battery Installation	.17
<b>I</b>	Battery Care and Disposal	.18
<b>J</b>	Caring For Your Vehicle	.18
<b>K</b>	Rules For Safe Driving	.19
<b>L</b>	How to Operate Your Vehicle	.20
<b>M</b>	Statement of Limited Warranty	.21
<b>N</b>	Problems and Solutions Guide	.22
<b>O</b>	Authorized Service Centers	.25

## A

## Important Information

- Your new vehicle requires adult assembly. Please set aside at least 45 minutes for assembly.
- You must charge your batteries for 18 - 30 hours **before you use your vehicle for the first time**. We recommend that you start charging your batteries before beginning assembly. Please see Battery Charging beginning on page 7 for detailed instructions.
- Read this manual carefully for important safety information and operating instructions before using your vehicle.
- This vehicle is designed for use on grass, asphalt and other hard surfaces, on flat terrain and hills, by children 3 - 7 years of age.
- To prevent damaging the motors and gears, do not tow anything behind the vehicle or overload it. Do not exceed the maximum weight capacity of 65 lbs (30 kg).
- For safety reasons, your vehicle has been pre-set so that it will operate at low speed. You must disconnect the high speed lock-out to allow operation of the vehicle at high speed. Please see page 21 for detailed instructions.
- If you have any questions about your Power Wheels® vehicle, please call our toll-free service lines at **1-800-348-0751** from 8 AM to 5 PM (EST) Monday through Friday. Trained customer service representatives are available to take your call in English or French. Habla Español? Si usted tiene alguna pregunta ó necesita asistencia llame gratis **1-800-348-0755** para los Estados Unidos. Tenemos representantes que hablan español para atender su llamada.
- For your convenience, Power Wheels® maintains an Authorized Service Center Network with more than 400 authorized service centers nationwide. Our authorized service centers will repair or replace parts under warranty at no extra charge, and can perform non-warranty repairs for a minimal charge. Please see the Authorized Service Center list beginning on page 25 to find the authorized service center nearest you, or call **1-800-348-0751**.
- Please complete and return the enclosed Registration Card today, or call **1-800-348-0751** to register your vehicle by phone.



### CAUTION

Use the charger in dry locations only.

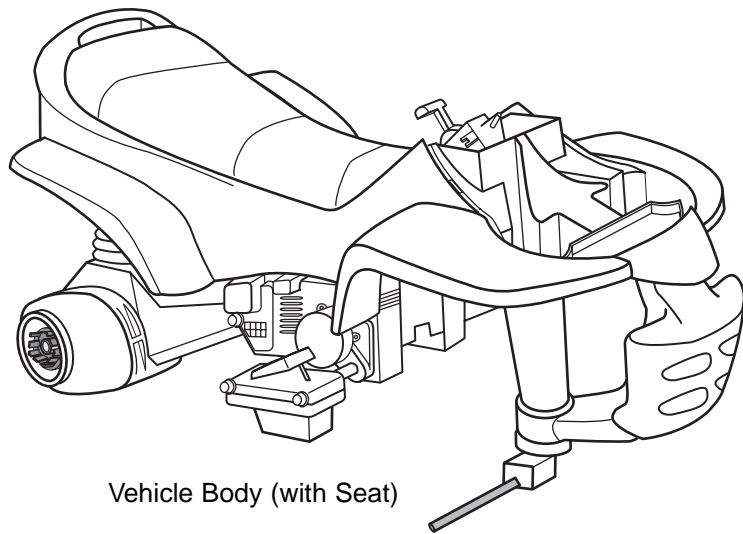
**WARNING**

- Children can be harmed by small parts, sharp edges and sharp points in the vehicle's unassembled state, or by electrical items. Care should be taken in unpacking and assembly of the vehicle. Children should not handle parts, including the battery, or help in assembly of the vehicle.
- Keep small parts and plastic bags out of children's reach. Dispose of plastic bags properly.
- Adult supervision is required. Children do not have the judgement necessary to avoid many accidents. Be sure that children operating this vehicle can do so safely and that they are supervised at all times.
- Never use near steps, driveways, steep inclines, roadways, alleys, swimming pool areas or other bodies of water.
- Always wear shoes or sneakers when operating this vehicle.
- Never allow more than one rider.
- The rider should sit on the seat when the vehicle is in operation.
- Never alter this vehicle or its electrical system in any way. Alterations could cause a fire resulting in injury and could also ruin the electrical system.
- Do not bypass a Power Wheels® fuse. It is a safety device.
- Use of the wrong type batteries, fuses or charger could cause a fire or explosion, resulting in serious injury.
- Use of Power Wheels® components in products other than Power Wheels® vehicles could cause overheating, fire or explosion.
- The batteries must be handled by adults only. The batteries are heavy and contain sulfuric acid (electrolyte). Dropping the batteries could result in serious injury.
- Never lift or carry the batteries by the wires or connectors. This can damage the batteries and possibly cause a fire resulting in injury. Lift and carry the batteries by the cases only.
- Read the cautions on the back panel of the batteries.
- Never allow children to charge the batteries. Battery charging must be done by adults only. A child could be injured by the electricity involved in charging the batteries.
- Examine the batteries, charger and their connectors for excessive wear or damage each time you charge the batteries. If damage or excessive wear is detected, do not use the vehicle until you have replaced the worn or damaged part as it could possibly cause a fire resulting in injury.

# C

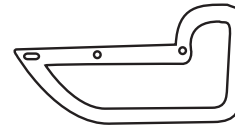
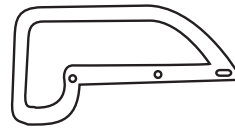
## Parts

- If you experience a problem with this product, or are missing a part, please call us at **1-800-348-0751**, rather than return this product to the store.
- Please identify all parts before assembly and save all packaging material until assembly is complete to ensure that no parts are discarded.
- Some parts were placed under the seat for shipment. Press the tab under the back of the seat and lift to access the battery compartment.
- Metal parts have been coated with a lubricant to protect them during shipment. Wipe all metal parts with a paper towel to remove any excess lubricant.



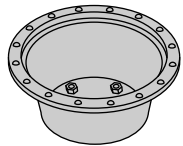
Vehicle Body (with Seat)

(Left)



(Right)

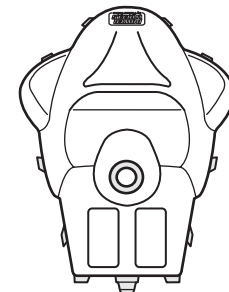
Mudflap Set



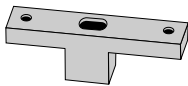
Hubcap - 4



Wheel - 4



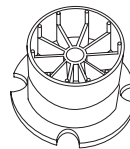
Cowling



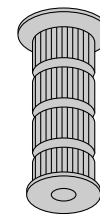
Handlebar Neck



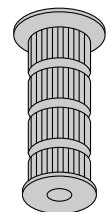
Steering Column



Rear Wheel Driver - 2

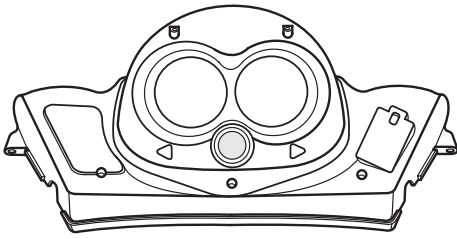


Right Hand Grip

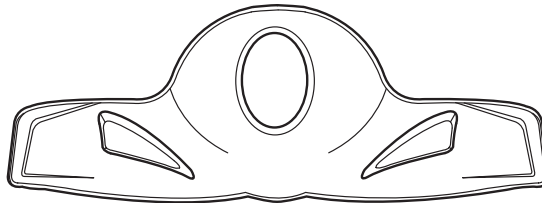


Left Hand Grip

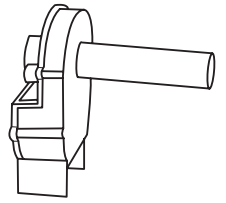
# Parts



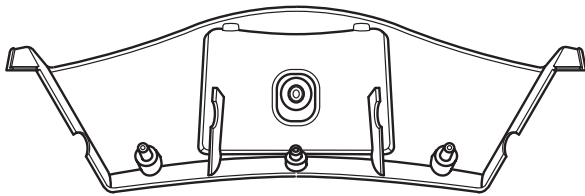
Handlebar Housing -  
Top Half



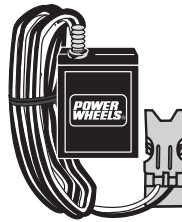
Front Fairing



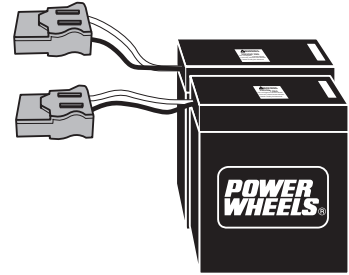
Sound Box



Handlebar Housing -  
Bottom Half



12-Volt Charger



6 Volt Battery - 2



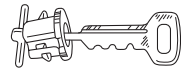
Radio Knob - 2



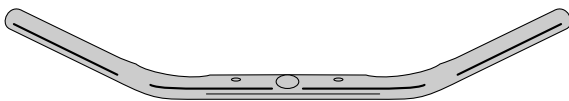
Lock Nut - 2



Round Bushing - 2



Key Assembly



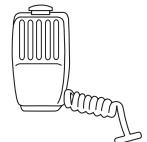
Handlebar



Cap Nut  
Installation Tool

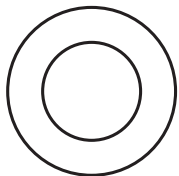


Hex Bushing - 4



Microphone

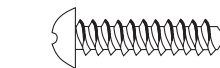
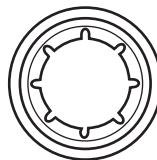
Not Shown: Label Sheet, Literature Bag



7/16" Washer - 6\*



Cap Nut - 8\*



#8 x 3/4" Screw - 19\*



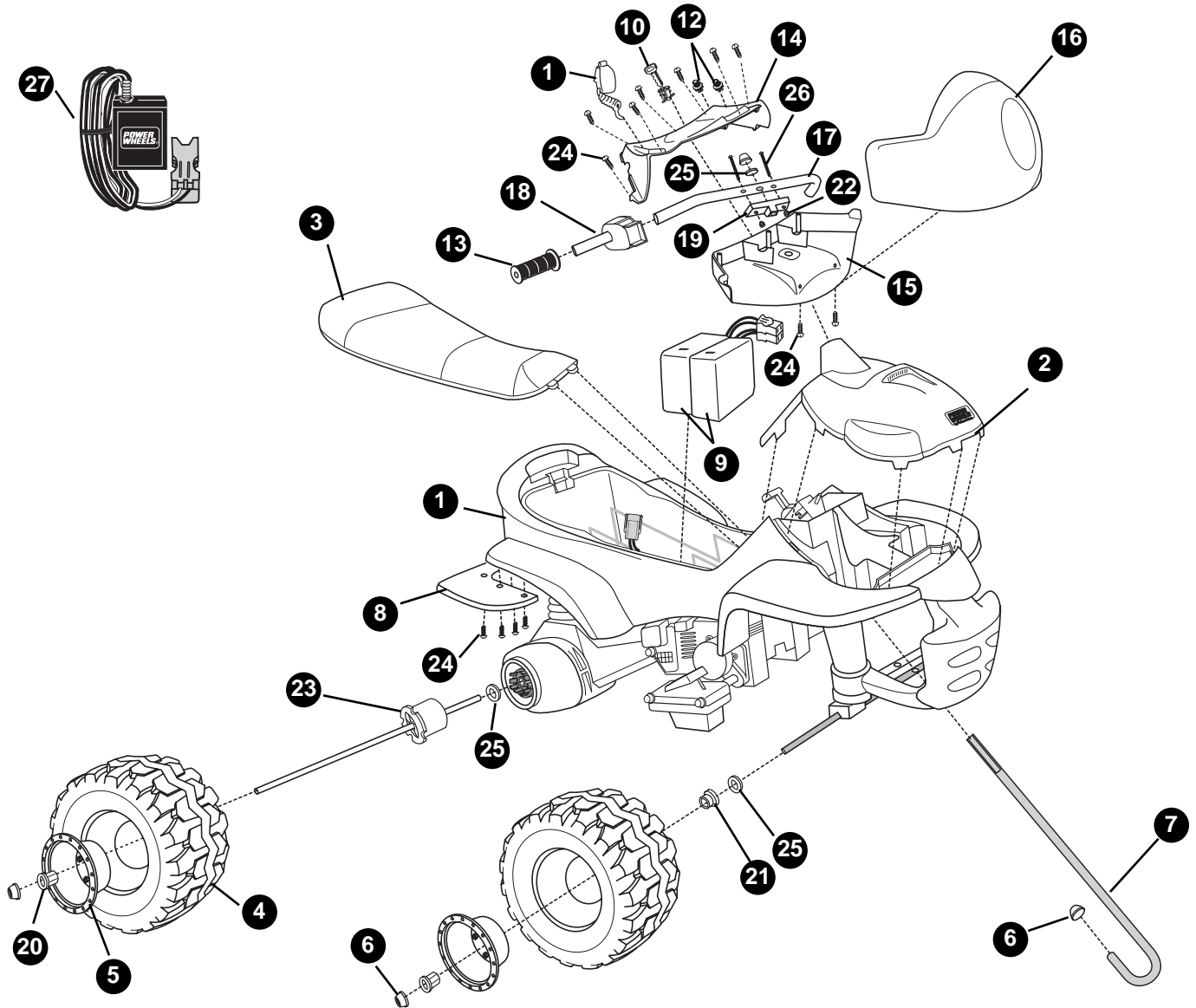
1 1/2" Screw - 2

**All Shown Actual Size**

\*For your convenience, extra washers, screws and cap nuts have been included.

# D

## Parts Diagram



- |                       |                                     |                           |
|-----------------------|-------------------------------------|---------------------------|
| 1. Vehicle Body       | 12. Radio Knob - 2                  | 21. Round Bushing - 2     |
| 2. Cowling            | 13. Right Hand Grip                 | 22. Lock Nut - 2          |
| 3. Seat               | 14. Handlebar Housing - Top Half    | 23. Rear Wheel Driver - 2 |
| 4. Wheel - 4          | 15. Handlebar Housing - Bottom Half | 24. #8 x 3/4" Screw - 17  |
| 5. Hubcap - 4         | 16. Front Fairing                   | 25. 7/16" Washer - 5      |
| 6. Cap Nut - 6        | 17. Handlebar                       | 26. 1 1/2" Screw - 2      |
| 7. Steering Column    | 18. Sound Box                       | 27. 12 Volt Charger       |
| 8. Right Mudflap      | 19. Handlebar Neck                  |                           |
| 9. 6 Volt Battery - 2 | 20. Hex Bushing - 4                 | <b>Not Shown</b>          |
| 10. Key Assembly      |                                     | Label Sheet               |
| 11. Microphone        |                                     | Left Mudflap              |
|                       |                                     | Left Hand Grip            |

**WARNING**

- The batteries must be handled by adults only. The batteries are heavy and contain sulfuric acid (electrolyte). Dropping the batteries could result in serious injury.
- Never allow children to charge the batteries. Battery charging must be done by adults only. A child could be injured by the electricity involved in charging the batteries.
- Use of the wrong type batteries, fuses or charger could cause a fire or explosion, resulting in serious injury.
- Use of Power Wheels® components in products other than Power Wheels® vehicles could cause overheating, fire or explosion.
- Read the cautions on the back panel of the batteries.
- Never lift or carry the batteries by the wires or connectors. This can damage the batteries and possibly cause a fire. Lift and carry the batteries by the case only.
- Examine the batteries, charger and their connector for excessive wear or damage each time you charge the battery. If damage or excessive wear is detected, do not use the charger or the vehicle until you have replaced the worn or damaged part.
- Do not bypass a Power Wheels® fuse. It is a safety device.
- Never alter this vehicle or its electrical system in any way. Alterations could cause a fire resulting in injury and could also ruin the electrical system.

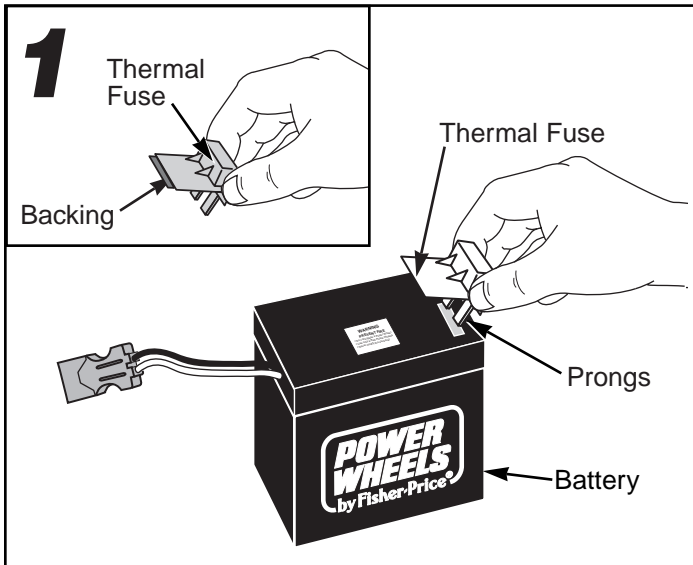
**CAUTION**

Use the charger in dry locations only.

**Important Notes:**

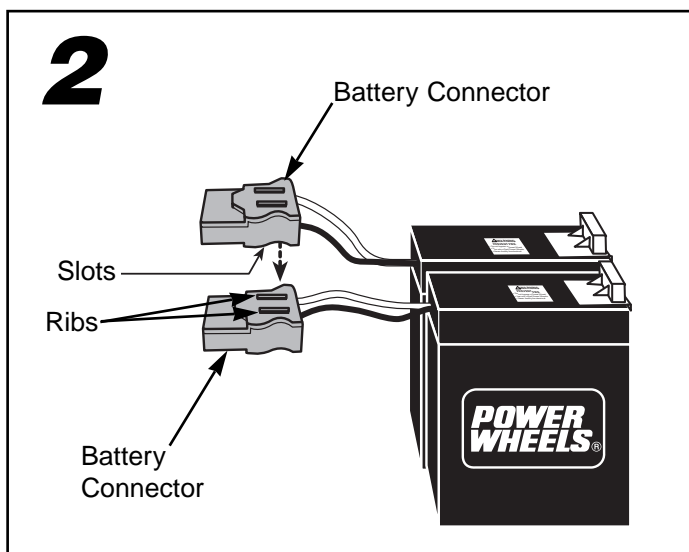
- **Your new batteries must be charged for at least 18 hours before you use them in your vehicle for the first time.**
- We recommend that you start charging your batteries before beginning assembly of your new vehicle.
- The batteries must be upright while charging.
- The charger is not a toy.
- Do not short circuit the batteries.
- You do not need to remove the batteries from your vehicle to recharge them.
- Before charging the batteries, examine the battery cases for cracks and other damage which may cause sulfuric acid (electrolyte) to leak during the charging process. If damage is detected, do not charge the batteries or use them in your vehicle. Battery acid is very corrosive and can cause severe damage to surfaces it contacts.
- Do not charge the battery on a surface which could be damaged by the acid contained inside the battery. Take precautions to protect the surface on which you charge your batteries.
- Use only a Power Wheels® Type H 12 volt charger (120 VAC 60 Hz 28W with an output of 12 VDC 1200mA) to charge your Power Wheels® 6 volt batteries.

# Battery Charging



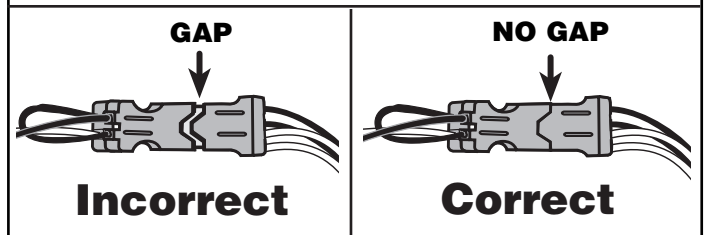
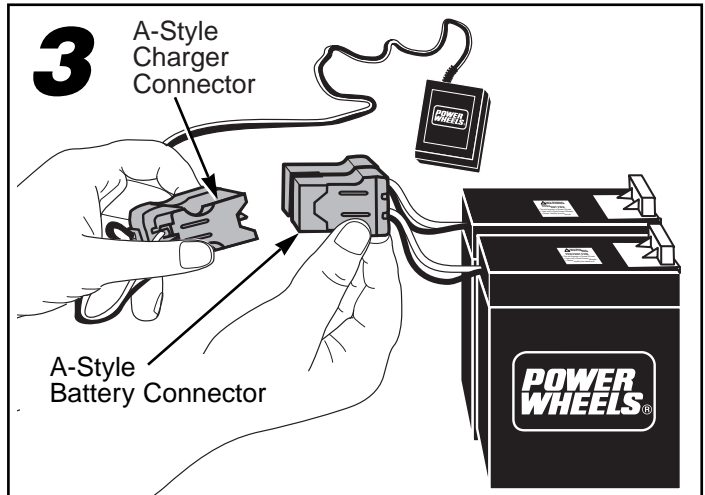
- Install a thermal fuse in each battery:
  - Peel the backing from the underside of the plastic thermal fuse casing and discard the backing.
  - Insert the thermal fuse, prong side down, into the battery. Make sure the prongs are fully inserted into the battery.
  - Press on the plastic casing to be sure it is adhered to the battery.

**Note:** The thermal fuses are properly installed in the batteries when the plastic casings rest squarely on top of the batteries.

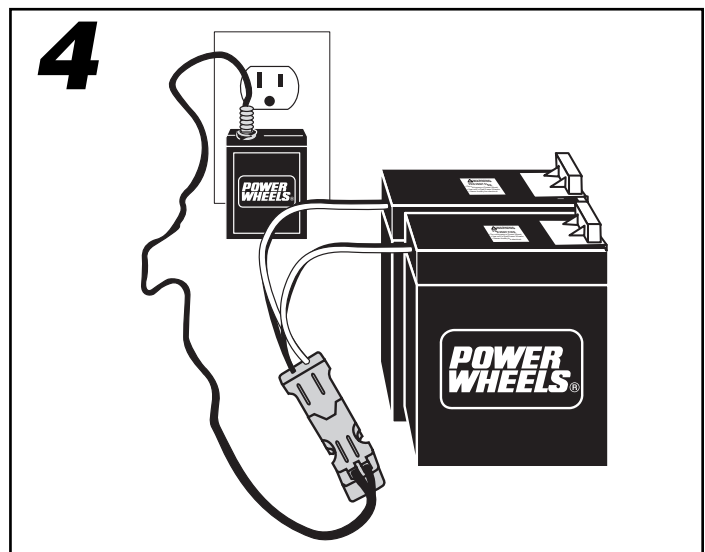


- Align the ribs on the top of one of the battery connectors with the slots on the bottom of the other battery connector.
- Stack the two battery connectors and press to join.

**Note:** Make sure that the two connectors on the charger are also stacked and joined.



- Plug the charger and battery connectors together. Push firmly to make sure the two connectors are completely joined.

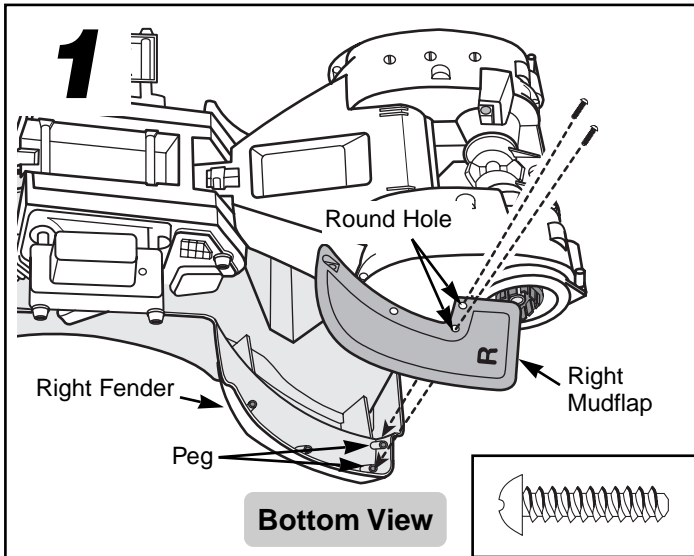


- Plug the charger into a standard 120 volt wall outlet.  
**Note:** If power flow to the wall outlet is controlled by a switch, make sure the switch is "ON".
- **Before first time use, charge the batteries for at least 18 hours.** Never charge the batteries longer than 30 hours.
- **Recharge the batteries for at least 14 hours** after each use of your vehicle. Do not charge the batteries longer than 30 hours.
- Once the batteries are charged, disconnect the charger connector from the battery connector. Unplug the charger from the wall outlet. The batteries are now charged and are ready to be installed in your vehicle.



# F

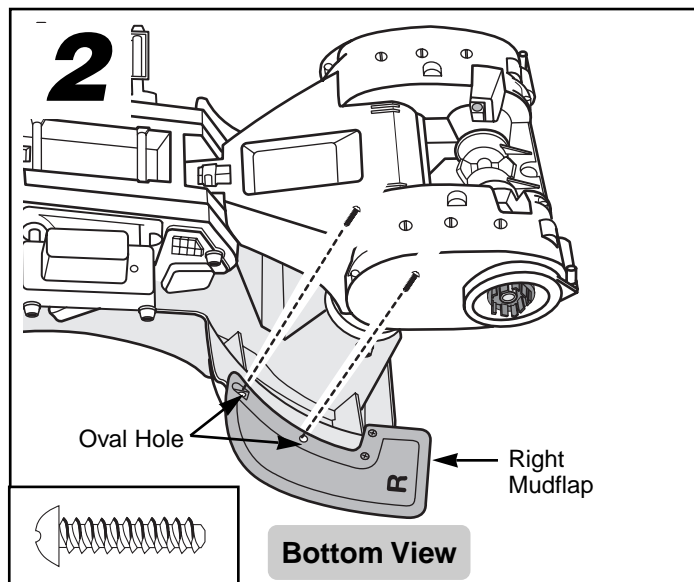
## Assembly



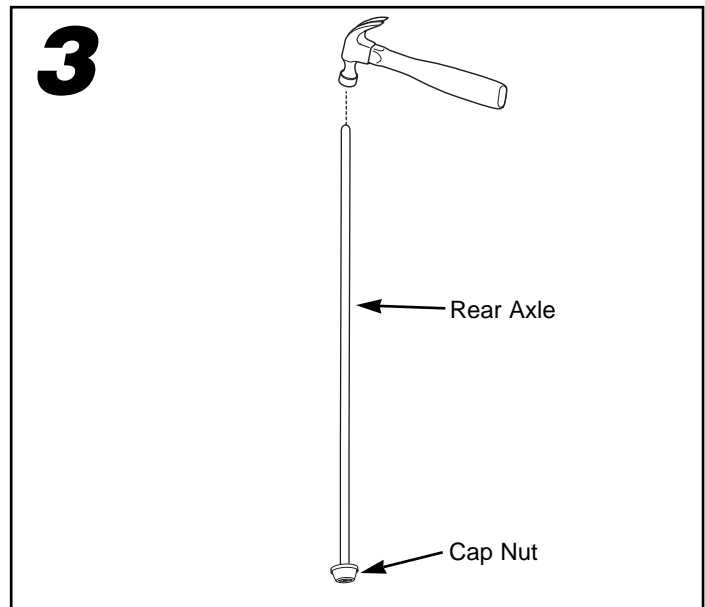
- Position the vehicle body upside down.

**Note:** The mudflaps are marked “R” and “L” to designate right and left.

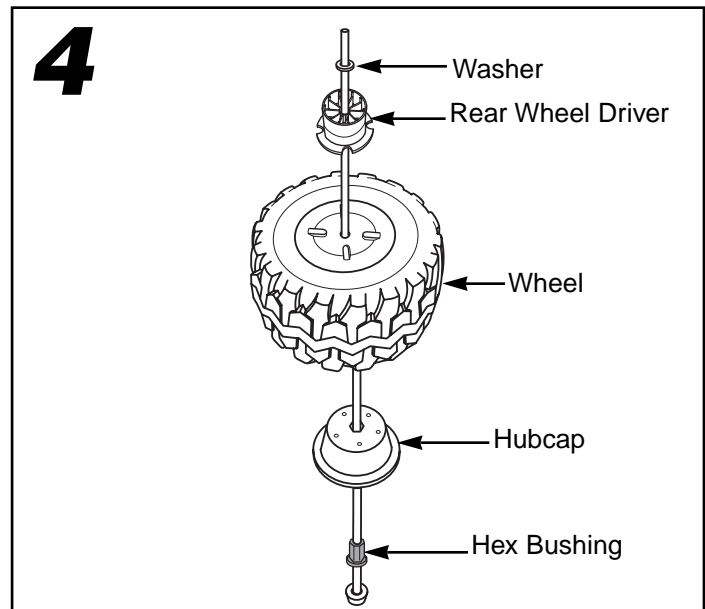
- With the “R” marking facing up, align the two round holes in the right mudflap with the pegs on the underside of the right fender.
- Insert two #8 x 3/4" screws through the round holes in the mudflap and into the right fender.
- Tighten the screws with a Phillips screwdriver. Do not over-tighten.



- Align the two oval holes in the right mudflap with the pegs on the underside of the right fender.
- Insert two #8 x 3/4" screws through the oval holes in the mudflap and into the right fender.
- Tighten the screws with a Phillips screwdriver. Do not over-tighten.
- Repeat steps 1 and 2 to assemble the left mudflap (“L”) to the left fender.

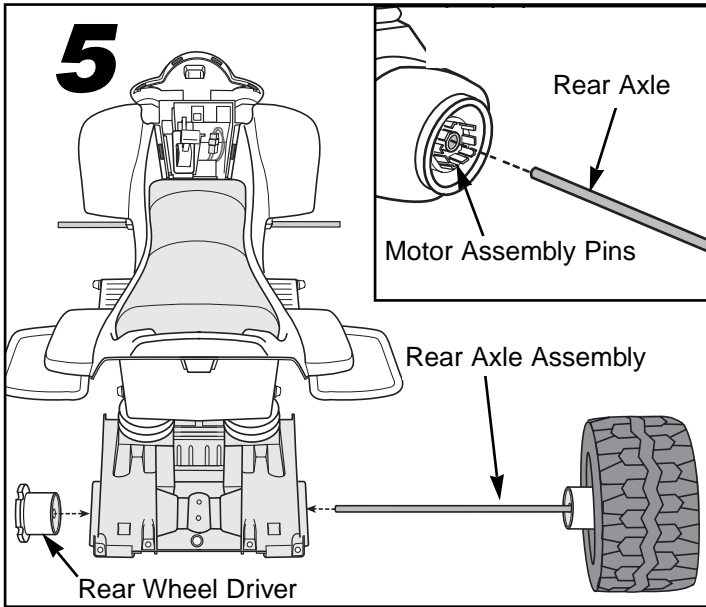


- Fit a cap nut onto one end of the rear axle.
  - Tap the other end of the rear axle with a hammer to secure the cap nut on the end of the rear axle.
- Note:** You may want to position the cap nut on a scrap block of wood to protect the assembly surface.

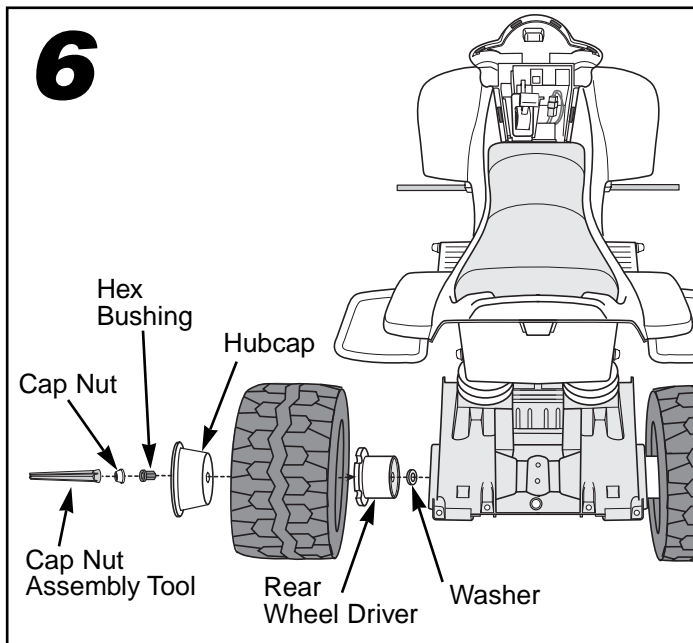


- Slide a hex bushing, ring side first, onto the rear axle.
- Slide a hubcap, ring side first, onto the rear axle.
- Slide a wheel onto the rear axle. Make sure the ribs on the wheel face **up**.
- Slide a rear wheel driver, ring side first, onto the rear axle. Fit the grooves on the rear wheel driver onto the ribs on the wheel.
- Slide a washer onto the rear wheel axle.
- Set the rear axle assembly aside.

# Assembly

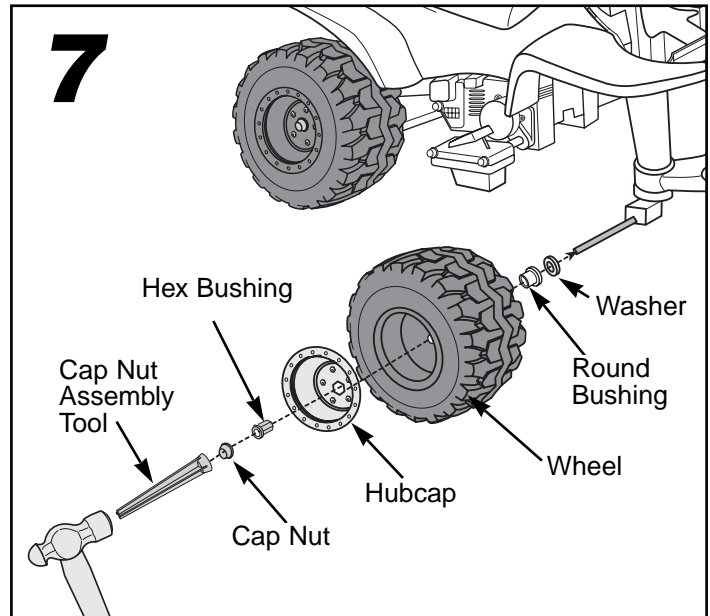


- Position the vehicle body upright.
- Fit and hold a rear wheel driver against the motor pins on one end of the motor assembly.
- While holding the rear wheel driver in place, slide the rear axle into the hole in the opposite side of the motor assembly. Make sure the rear wheel driver on the rear axle assembly fits onto the pins on the motor assembly.
- Take the rear wheel driver off the open end of the rear axle.



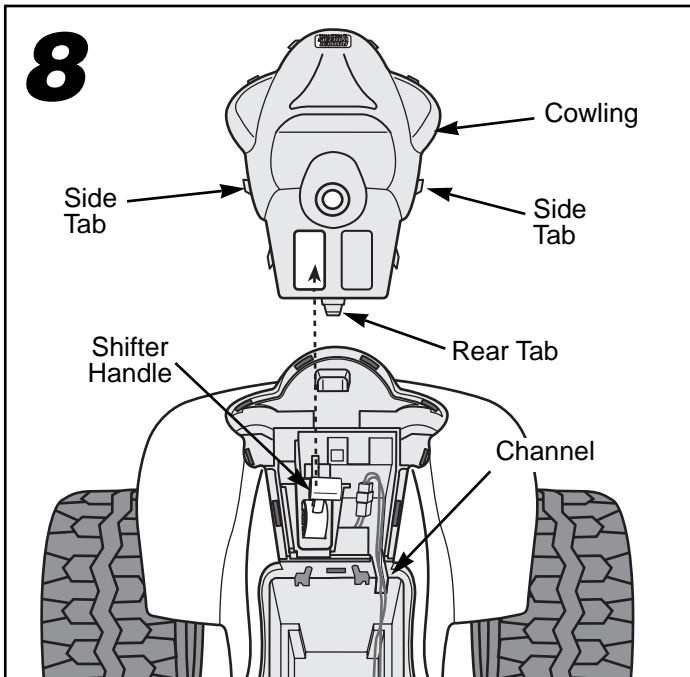
- Slide a washer onto the rear axle.
- Slide the rear wheel driver onto the rear axle. Make sure the rear wheel driver fits onto the pins on the motor assembly.
- Slide a wheel onto the rear axle. Make sure the ribs on the wheel fit into the grooves on the rear wheel driver.
- Slide a hubcap onto the rear axle.

- Slide a hex bushing, barrel side first, onto the rear axle. Press all but the ring on the hex bushing into the wheel.
- Fit a cap nut on the end of the rear axle.
- Fit the cupped end of the cap nut assembly tool over the cap nut and tap the end of the cap nut assembly tool with a hammer to secure the cap nut on the end of the rear axle.

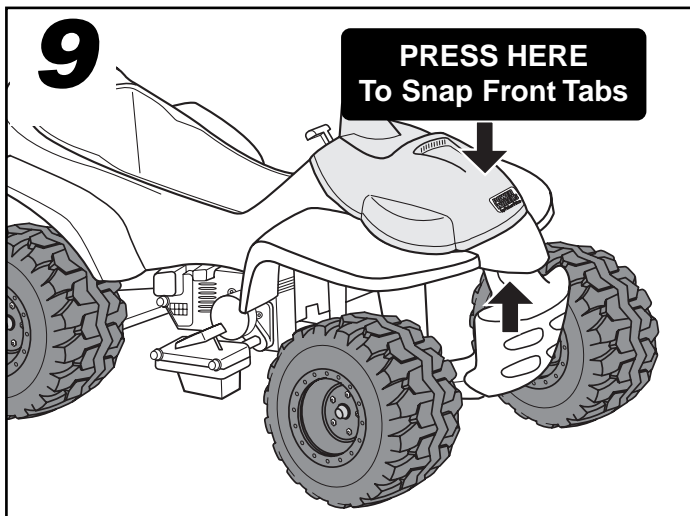


- Slide a washer onto one of the front axles.
- Slide a round bushing, ring side first, onto the same front axle.
- Slide a wheel (ribbed side first) onto the front axle.
- Slide a hubcap onto the front axle.
- Slide a hex bushing onto the front axle.
- Fit a cap nut on the end of the front axle.
- Fit the cupped end of the cap nut assembly tool over the cap nut and tap the end of the cap nut assembly tool with a hammer to secure the cap nut on the end of the axle.
- Repeat this procedure to assemble the remaining wheel to the other front axle.

# Assembly

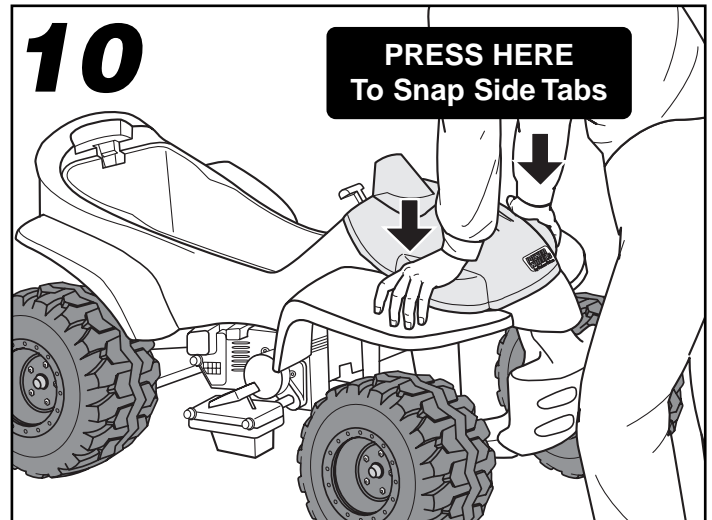


- Press the tab under the back of the seat and lift to remove the seat.
- Fit the rectangular opening in the cowling over the shifter handle.
- Align the front, side and rear tabs on the cowling with the slots in the vehicle body **but do not snap the tabs into the slots**.
- Make sure the harness wires are positioned in the channel to prevent them from being pinched between the cowling and vehicle body.



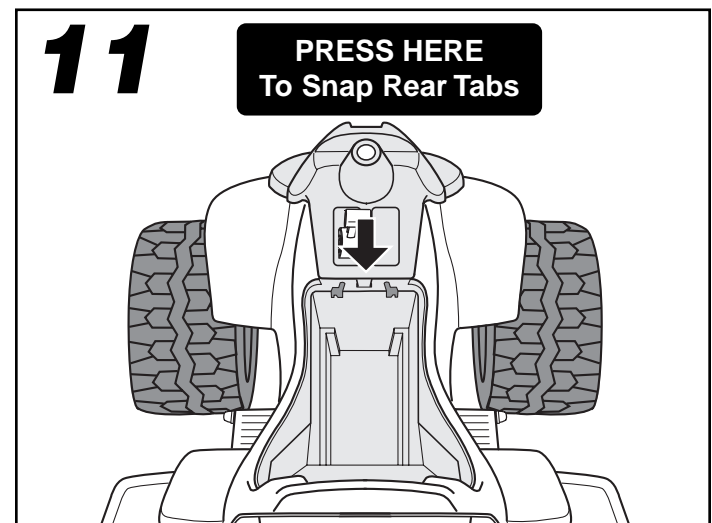
- Press firmly on the front of the cowling to snap the four front tabs into the slots in the vehicle body. **Make sure the side and rear tabs stay aligned with the slots.**

**Note:** Pull up on the front of the vehicle body while pressing down on the cowling to make sure the front tabs snap into the slots.



- Press firmly on each side of the cowling to snap the four side tabs into the slots in the vehicle body. **Make sure the rear tab stays aligned with the slots.**

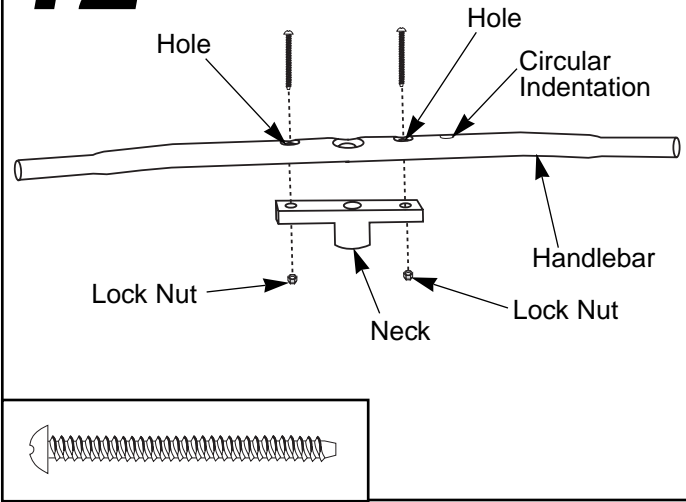
**Note:** You may need to flex the shifter to the side to fit the cowling over the high speed lock-out screw.



- Press firmly on the back of the cowling to snap the rear tab into the slots in the vehicle body

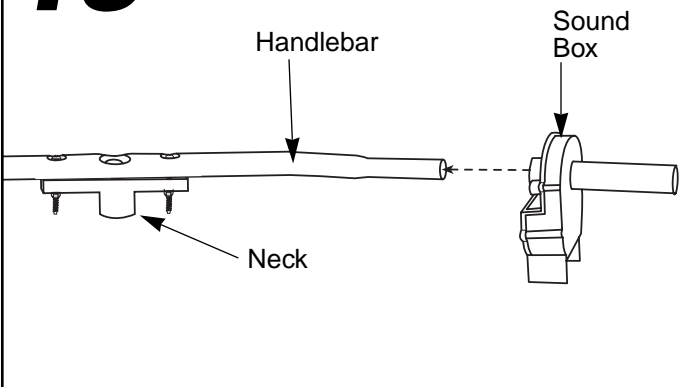
# Assembly

## 12



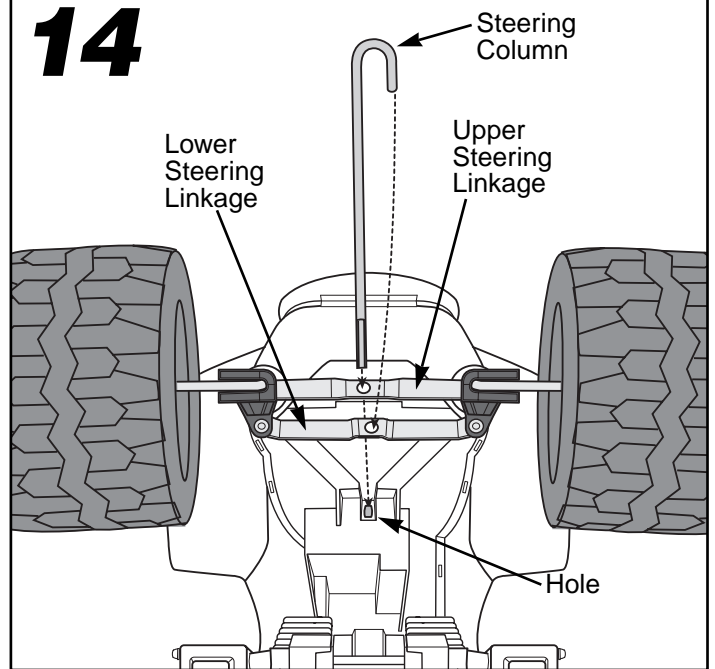
- Position the handlebar so that the side with the three holes and circular indentation faces up.
- Fit the neck against the bottom of the handlebar, with the holes in the handlebar and neck aligned.
- Insert a 1 1/2" screw down through each of the two outer holes in the handlebar and then through the neck.
- Fit a lock nut on the end of each screw.
- Using pliers to steady the lock nuts, tighten each screw with a Phillips screwdriver. Do not over-tighten.

## 13



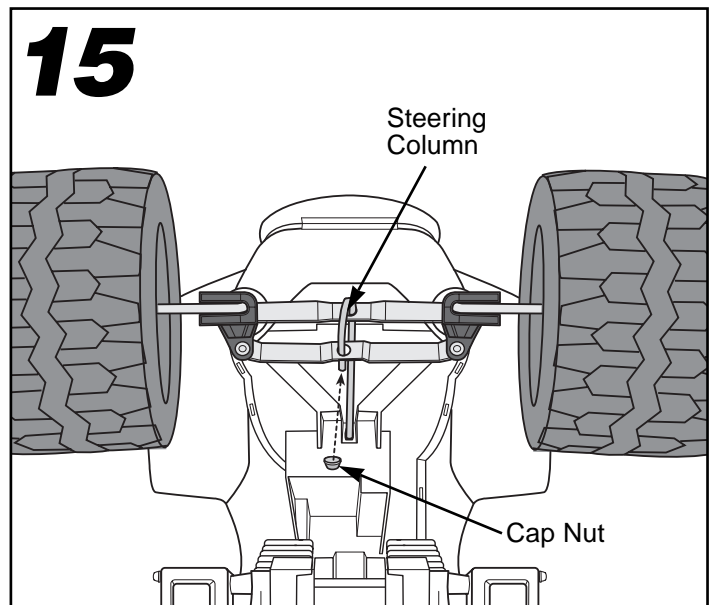
- Position the handlebar with the neck facing down and the handlebar curving toward you.
- Slide the sound box onto the right end of the handlebar, sound box side first.
- Set the handlebar assembly aside.

## 14



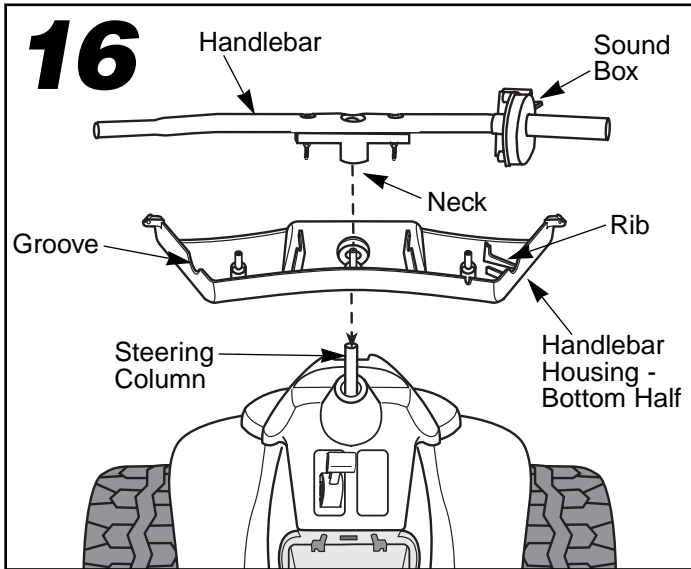
- Lift the front end of the vehicle.
- Slide the straight end of the steering column through the hole in the upper steering linkage and out through the hole in the vehicle body.
- Insert the curved end of the steering column into the hole in the lower steering linkage.

## 15

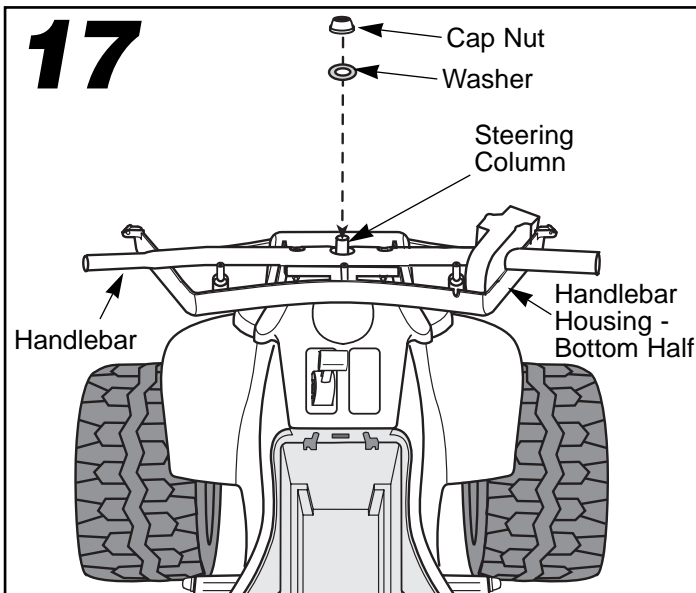


- Fit a cap nut on the curved end of the steering column.
- Support the steering column and tap the cap nut with a hammer to secure it on the end of the steering column.
- Position the vehicle body upright.

# Assembly

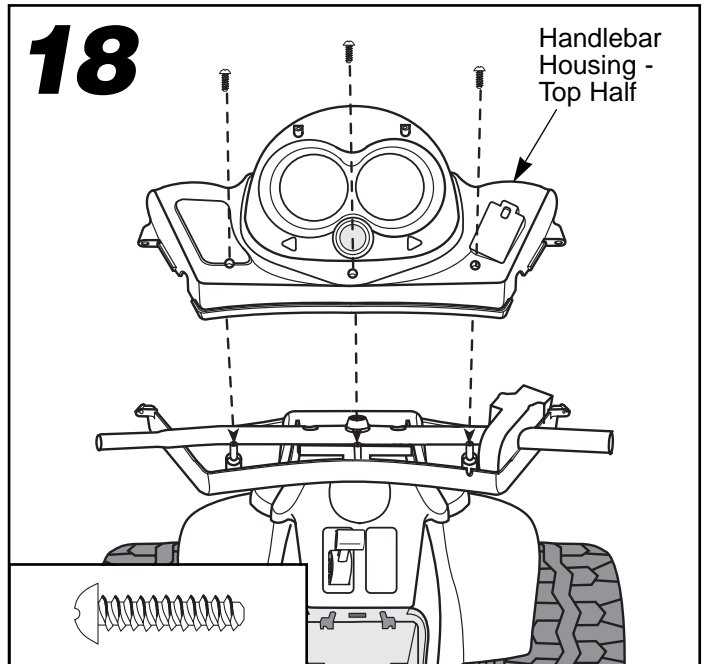


- Slide the bottom half of the handlebar housing onto the end of the steering column. Make sure the rim on the bottom of the handlebar housing fits into the hole in the vehicle body.
- Slide the handlebar, neck side down, onto the end of the steering column. Make sure the handlebar arms fit into the grooves in the handlebar housing and that the soundbox fits over the rib.



**Helpful Hint:** You may want the help of another adult to support the steering column near the steering linkage while assembling the handlebar to the vehicle body.

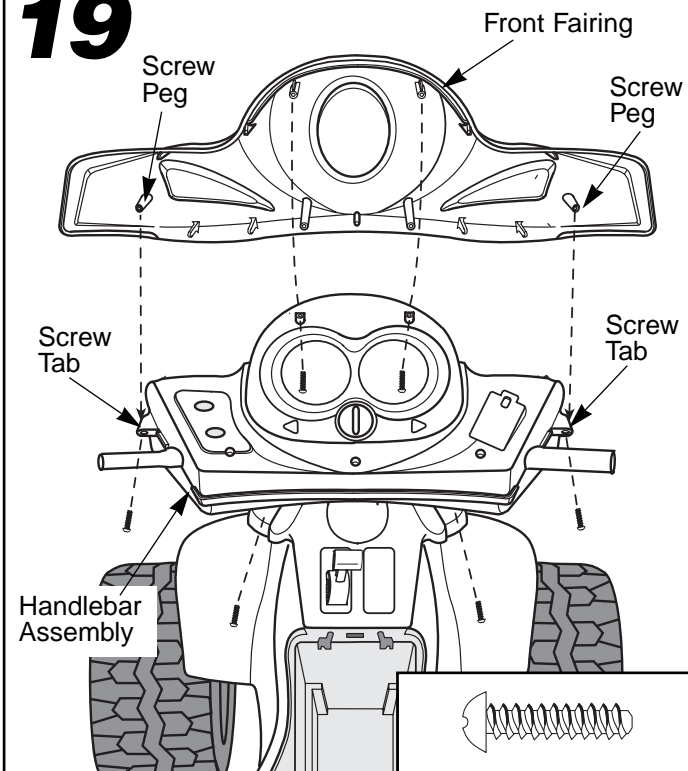
- Push firmly on the handlebar to make sure that the bottom half of the handlebar housing and the handlebar are fully seated on the vehicle body.
- Slide a washer onto the steering column.
- Fit a cap nut on the end of the steering column.
- Tap the cap nut with a hammer to secure it on the end of the steering column.
- Pull up on the handlebar to make sure the assembly is secure.



- Fit the top half of the handlebar housing onto the bottom half of the handlebar housing.
- Insert three #8 x  $\frac{3}{4}$ " screws through the holes in the top half of the handlebar housing and tighten the screws with a Phillips screwdriver. Do not over-tighten.

# Assembly

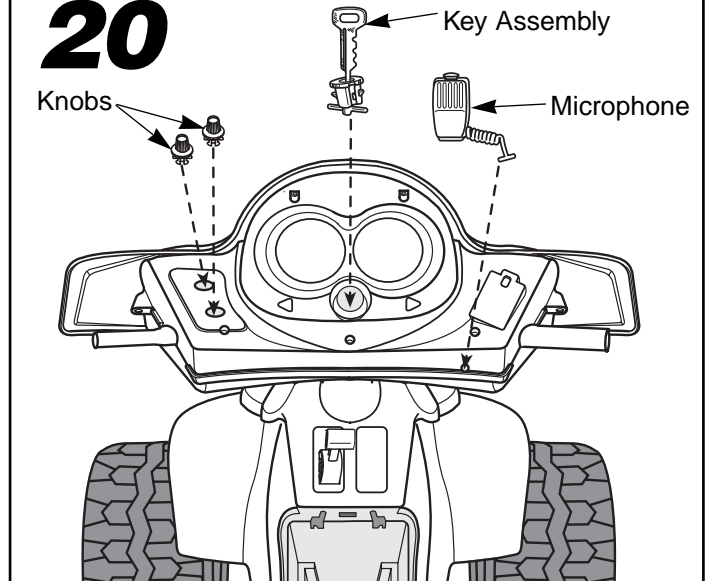
## 19



- Fit the front fairing onto the handlebar assembly. Make sure that the screw tabs on the handlebar assembly are aligned with the screw pegs on the front fairing.
- Insert four #8 x  $\frac{3}{4}$ " screws through the top half of the handlebar housing and into the front fairing and tighten the screws with a Phillips screwdriver. Do not over-tighten.
- Insert two #8 x  $\frac{3}{4}$ " screws up through the bottom half of the handlebar housing and into the front fairing and tighten the screws with a Phillips screwdriver. Do not over-tighten.

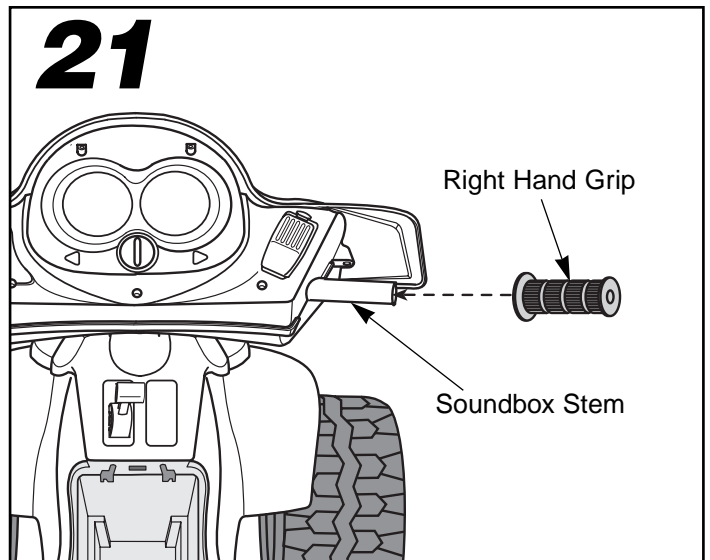
**Helpful Hint:** You may want to use a long screwdriver to tighten the screws going into the bottom half of the handlebar housing.

## 20



- Bend the plastic tip at the end of the microphone cord so that it forms a "T".
- Insert the plastic tip through the hole in the handlebar housing.
- Pull lightly on the microphone cord to make sure it is secure in the dash.
- Fit the tab on the back of the microphone into the hole in the center of the dash to hook it to the dash.
- Snap the key assembly into the large hole in the dash.
- Snap the radio knobs into the holes in the dash.

## 21



**Note:** The left and right handgrips are not interchangeable! The hole in the left handgrip is smaller than the hole in the right handgrip.

- Fit the right hand grip onto the soundbox stem on the right side of the handlebar. If it is difficult to slide the hand grip onto the soundbox stem, moisten the hand grip.
- Repeat this procedure to fit the left handgrip onto the left side of the handlebar.

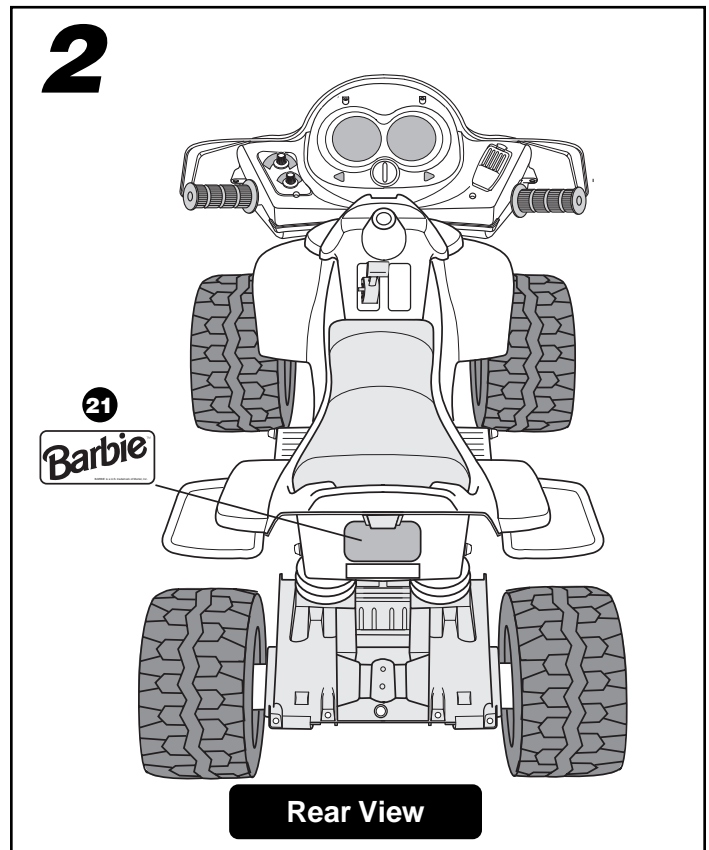
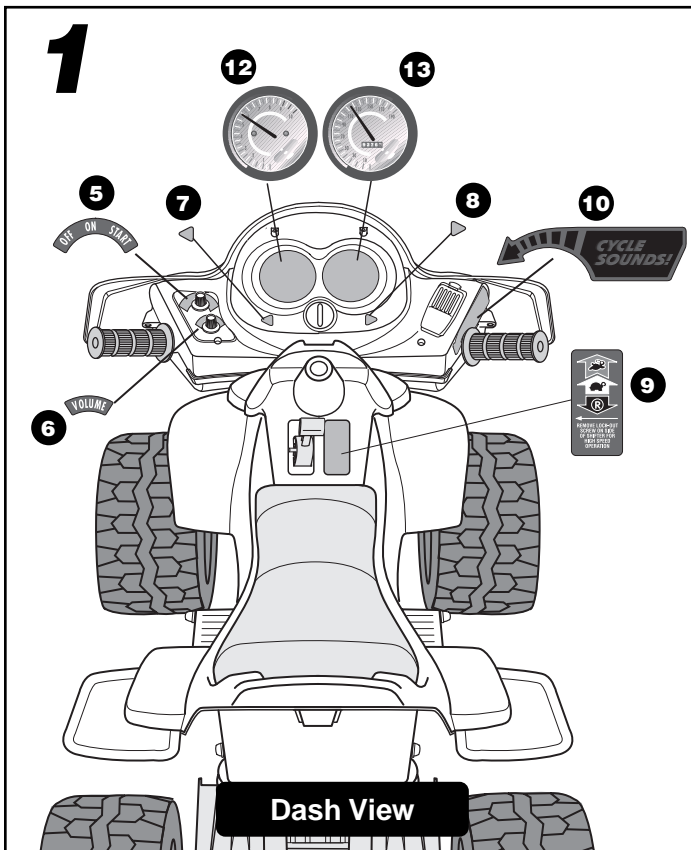
## 14

# G

## Label Decoration

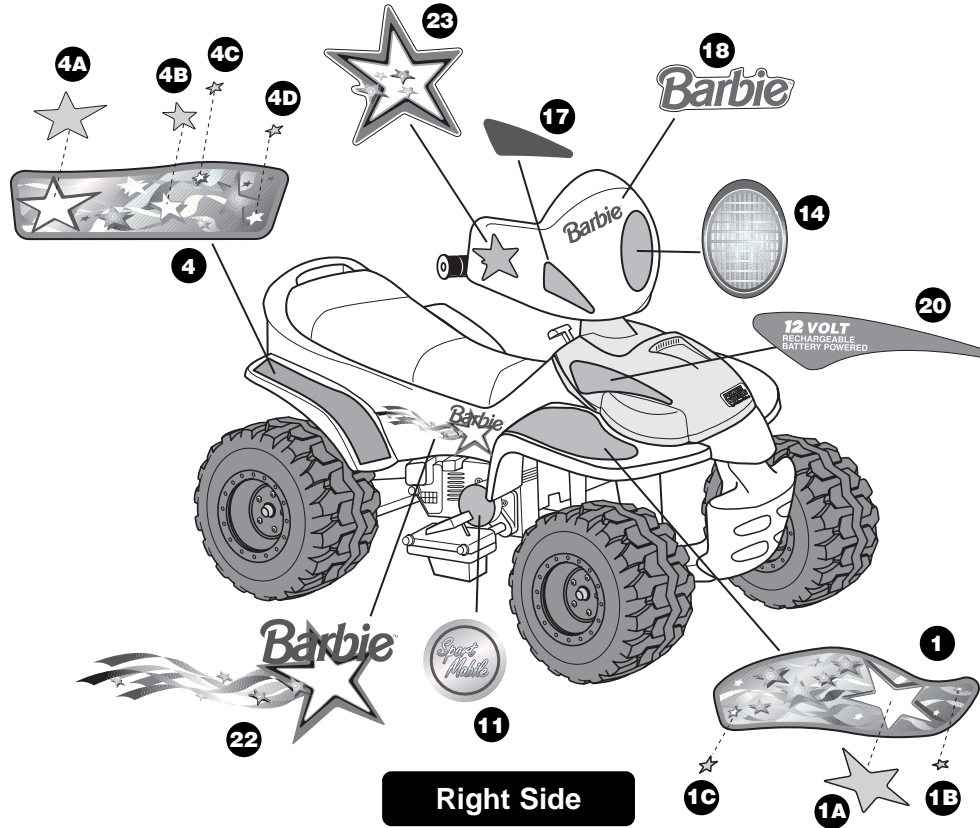
Proper label application will help to keep the labels looking their best! When applying labels, keep the following guidelines in mind:

- Wash your hands before applying the labels.
- Before applying the labels, wipe the surface of the vehicle with a clean, dry cloth to remove any dust or oils.
- Place the labels exactly as shown in the illustrations.
- For best results, avoid repositioning a label once it has been applied to the vehicle.
- After applying a label, rub the label firmly with a clean, dry cloth to make sure the label is adhered to your vehicle. Start at the center of a label, and smooth towards the outer edges to remove air bubbles.
- Apply the "extra star" labels wherever you please to custom decorate you vehicle!

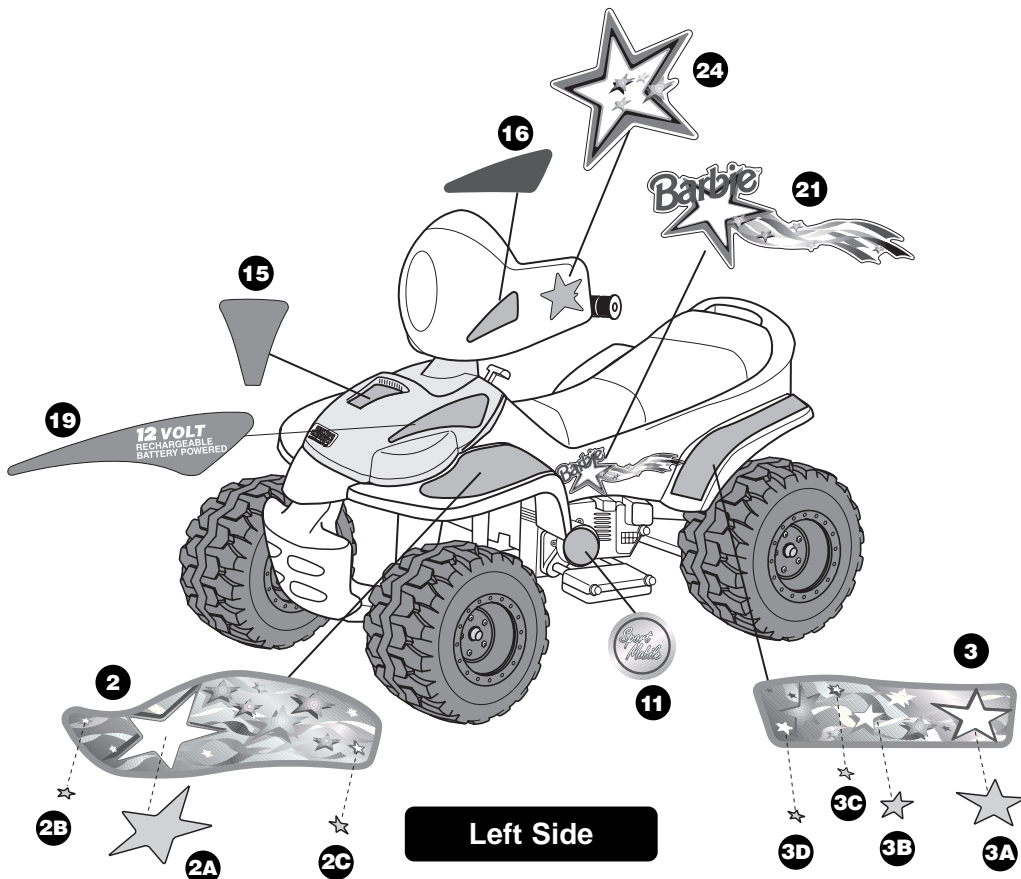


# Label Decoration

## 3



## 4



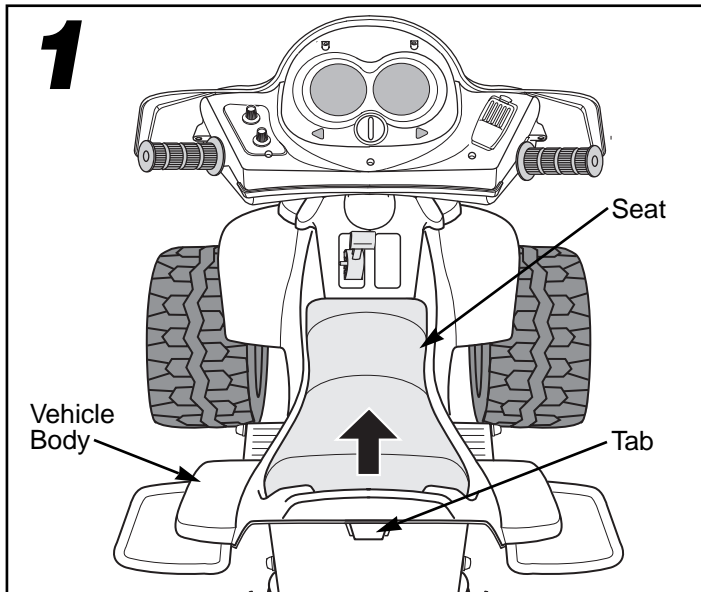
## 16



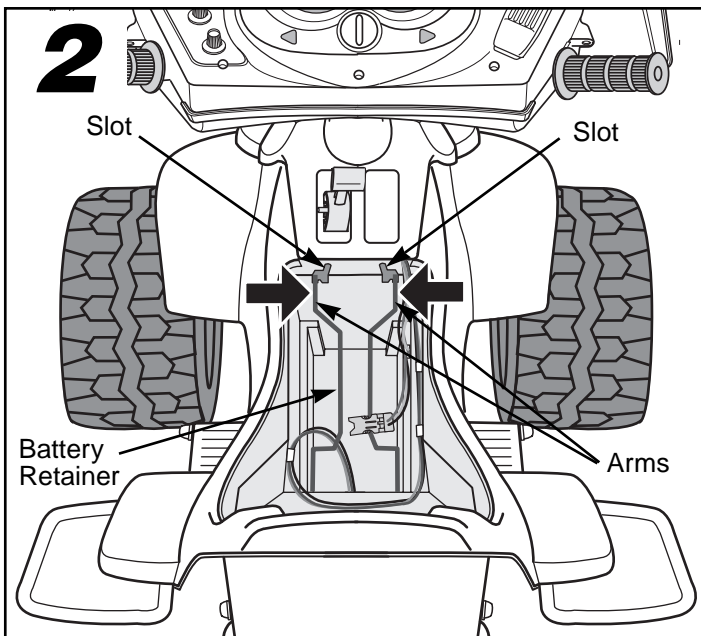
# H

## Battery Installation

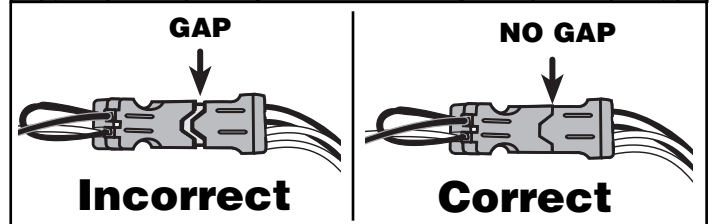
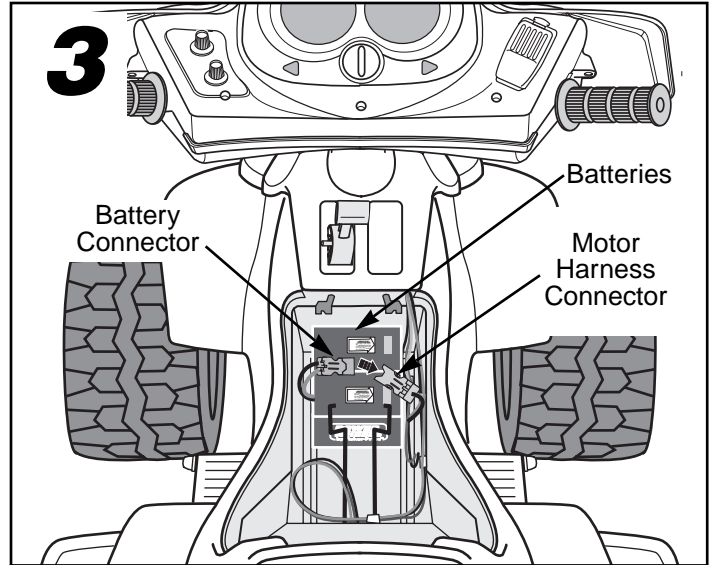
**Important Note:** Use only Power Wheels® batteries with Power Wheels® thermal fuses installed. Use of any other batteries or fuses will damage your vehicle. Make sure that you charge the batteries for at least 18 hours using the enclosed Power Wheels® 12 volt charger before operating your vehicle for the first time. Charge the batteries for at least 14 hours after each use of the vehicle. Never charge the batteries longer than 30 hours. Failure to follow these instructions may damage your batteries and will void your warranty.



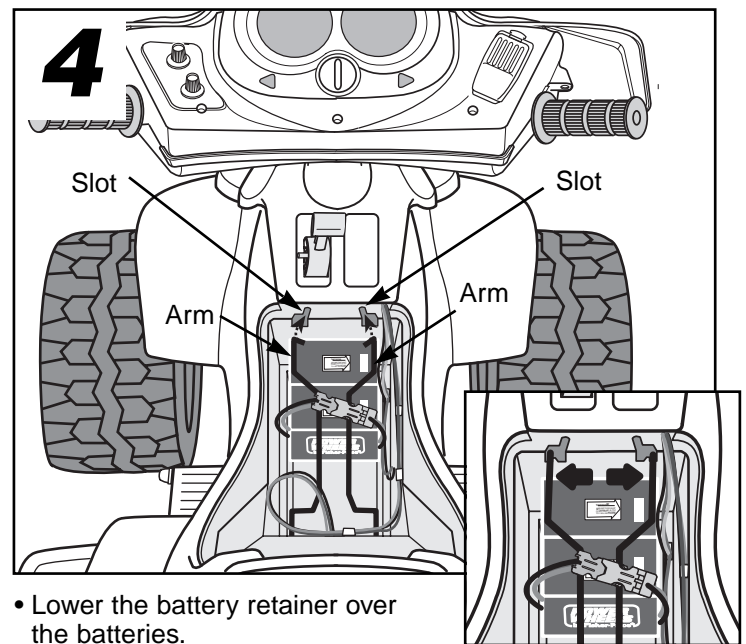
- Press the tab under the back of the seat and lift to remove the seat.



- Squeeze the battery retainer arms together to release the arms from the slots in the vehicle body.
- Press the battery retainer arms in and over the lock tabs and lift the battery retainer.



- Place the batteries upright in the battery compartment. Make sure the battery connectors are snapped together.
- Plug the battery connector and motor harness connector together. Push firmly to make sure the two connectors are completely joined.



- Lower the battery retainer over the batteries.
- Fit the battery retainer arms down into the slots in the vehicle body.
- Press the battery arms out over the lock tabs to snap and secure the battery retainer arms in the slots.
- Re-assemble the vehicle seat.

# I

## Battery Care and Disposal

### Care

**If a battery leak develops**, avoid contact with the leaking acid and place the damaged battery in a plastic bag. See information below for proper disposal.

**If acid comes in contact with skin or eyes**, flush with cool water for at least 15 minutes and call a physician.

**If acid is internally ingested**, give water, milk of magnesia or egg whites immediately. Never give emetics or induce vomiting. Call a physician.

- Charge new batteries for at least 18 hours before first use. Never charge the batteries longer than 30 hours. Overcharging or undercharging the batteries may shorten battery life and decrease vehicle running time.
- After the first charge, recharge the batteries for at least 14 hours after each use. Never charge the batteries longer than 30 hours. Charge the batteries after each use, regardless of how long the vehicle was used.
- The batteries must be upright while charging.
- Do not allow the batteries to run down completely before charging.
- Charge the batteries before storing the vehicle.
- Charge the batteries at least once per month, even if the vehicle has not been used.
- Leaving the batteries in a discharged condition will ruin them.
- Always remove an exhausted battery from the vehicle. Battery leakage and corrosion can damage the vehicle.
- Do not store the batteries on a surface which could be damaged by the acid contained inside the batteries. Take precautions to protect the surface on which you store the batteries.
- Do not store the batteries in temperatures above 75° F or below -10° F.
- When you purchase replacement Power Wheels® Type H batteries, you should buy them as a set. Using an older battery with a new battery may result in poor performance and may cause permanent damage to both batteries. Remember to charge new batteries for at least 18 hours before first use.
- Prevent the batteries from moving freely inside the battery compartment. Always use the battery retainer to secure the batteries in the battery compartment.
- Examine the batteries, charger and their connectors for excessive wear or damage each time you charge the battery. If damage is detected, do not use the charger or the batteries until you have replaced the worn or damaged part.
- Attempting to charge the batteries without thermal fuses will not damage the batteries, but they will not charge.

## Battery Care and Disposal

### Disposal



- Your Power Wheels® batteries are sealed lead-acid batteries. They must be recycled or disposed of in an environmentally sound manner.
- Do not dispose of a lead-acid battery in your regular, household trash. The incineration, landfilling or mixing of sealed lead-acid batteries with household trash is prohibited by law in most areas.
- Return the batteries to a federal or state approved lead-acid battery recycler, such as a Power Wheels® authorized service center, or a local seller of automotive batteries. In Minnesota, call 1-800-348-0751 if further disposal information is required. Contact your local waste management officials for other information regarding the environmentally sound collection, recycling and disposal of lead-acid batteries.

# J

## Caring For Your Vehicle

- Check all screws, retainers and their protective coverings regularly and tighten as required. Check plastic parts on a regular basis for cracks or broken pieces.
- During snowy or rainy weather, the vehicle should be stored inside or under a protective cover. Remember to charge the batteries at least once per month while your vehicle is not in regular use.
- Avoid operating the vehicle in wet or snowy conditions, and do not spray the vehicle with a hose. Do not wash the vehicle with soap and water. Water or moisture in the motors or electrical switches can cause them to corrode, and could cause switch or motor failure.
- Avoid operating the vehicle on sand, loose dirt or gravel. Sand, loose dirt or gravel in the motors or electrical switches can cause them to jam, and could cause switch or motor failure.
- The vehicle can be wiped down with a soft, dry cloth. For a shiny finish, you can wipe plastic parts with a non-wax furniture polish applied to a soft-cloth. Do not use automotive wax. Do not use soap and water or spray the vehicle with a hose.
- To ensure that your vehicle stays in good operating order, we recommend that you periodically have your vehicle checked by a Power Wheels® authorized service center. See page 25 for the list of authorized service centers or call **1-800-348-0751** for the location of the authorized service center nearest you.



## WARNING

- Adult supervision is required. Children do not have the judgement necessary to avoid many accidents. Be sure that children operating this vehicle can do so safely and that they are supervised at all times.
- Never use near steps, driveways, steep inclines, roadways, alleys, swimming pool areas or other bodies of water.
- Always wear shoes or sneakers when operating this vehicle.
- Never allow more than one rider.
- The rider should sit on the seat when the vehicle is in operation.
- Improper use of this vehicle could lead to a serious or fatal accident. Allow children to play with this vehicle only when you have determined that they can do so safely. Follow all instructions to help your child enjoy this vehicle as safely as possible.

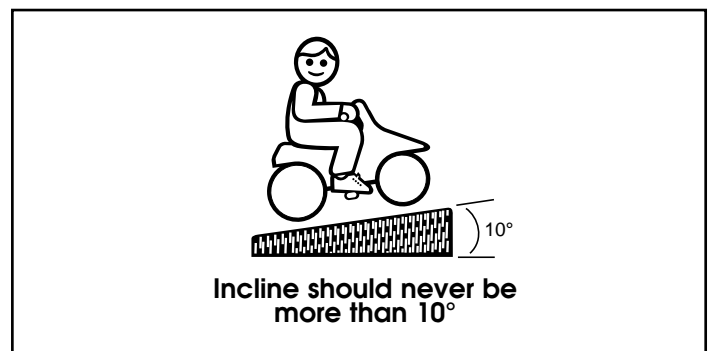
### Teach Safety Rules to Children

While children can quickly develop the skill necessary to drive this vehicle, it is important to remember that their judgment skills are still very immature. Unsupervised driving by children can lead to serious injury. Before children use this vehicle, an adult should carefully evaluate the driving area as well as the children's skill level and ability to drive this vehicle safely. Children are not always able to recognize or anticipate hazards, even when they have been taught about them. There is no acceptable substitute for adult supervision.

Teach appropriate safety rules to your child before allowing operation of this vehicle. These rules should also be reviewed with neighborhood children or other playmates who want to drive this vehicle.

1. Do not allow any child to drive the vehicle in the street or near moving (motorized) vehicles.
2. Do not allow any child to drive near bodies of water (such as pools or creeks), obstructions (such as furniture, low tree limbs or play equipment), or drop-offs (such as stairs or decks).
3. Do not allow any child to drive the vehicle in the dark. A child could encounter unexpected obstacles and have an accident. Operate the vehicle only in the daytime or in a well-lit area.

4. Teach your child to avoid driving on steep inclines or slopes. Restrict your child's driving to areas that are fairly level with gentle inclines or slopes of no more than 10°.
  - While driving down a steep slope, the vehicle may gain unsafe speed, even if the foot pedal is released to stop.
  - While driving across a steep slope, the vehicle may tilt and tip over. The wheels could lose traction, causing the vehicle to slip.
  - While driving up a steep incline, the motor may stop and the vehicle could roll backwards at an unsafe speed.



5. Do not operate this vehicle with more than one rider, seated on the seating area. A child who is not sitting on the seat or who is standing on the vehicle could fall off, cause a tip-over or block the driver's view. A child could be seriously injured.
6. Always wear shoes or sneakers when operating this vehicle.
7. Never put anything near any moving parts. Rotating parts such as motors, gear boxes and wheels can snag fingers, hair, etc., causing serious injury. Do not allow operation of the vehicle when it is on its side or in an upside-down position.
8. Do not operate the vehicle near flammable vapors (gasoline, paint thinner, acetone, liquid wax, etc.). The vehicle's electrical switches, like most electrical switches, emit an internal spark when first turned on or turned off. The presence of flammable liquids or vapors could cause an explosion or a fire. Keep all flammable products in tightly sealed containers and away from the vehicle.
9. Do not allow a child to operate the vehicle without proper adult supervision. To prevent unsupervised use of the vehicle, disconnect the motor harness from the batteries when the vehicle is not in use.

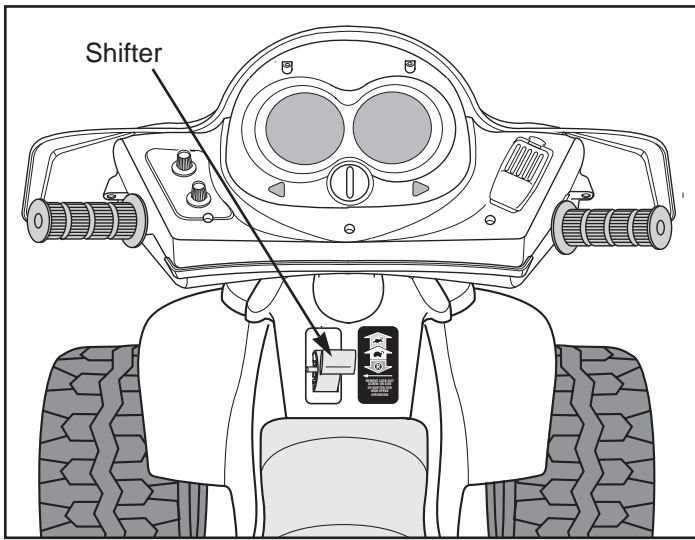
# L

## How to Operate Your Vehicle

As assembled, your vehicle is ready to roll in low speed (2½ mph, maximum). When your child is ready to drive the vehicle in high speed (5 mph, maximum), follow the instructions to disconnect the high speed lock-out.

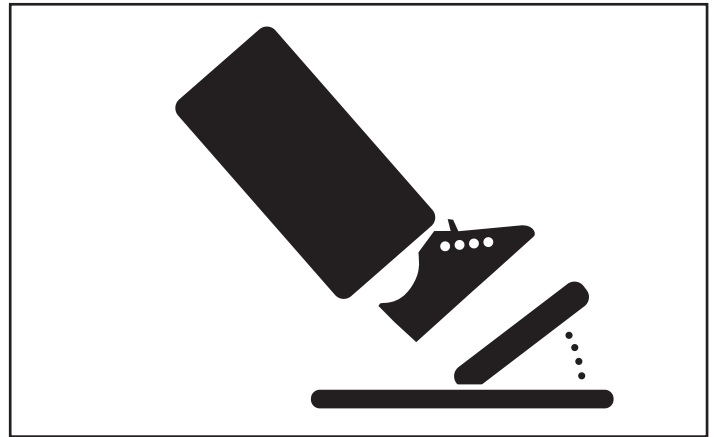
- Press the foot pedal. The vehicle will back-up at a maximum of 2½ mph.
- Help your child practice steering to learn how far and how quickly to turn the handlebar when driving in reverse.

### Beginner Use - Low Speed Drive



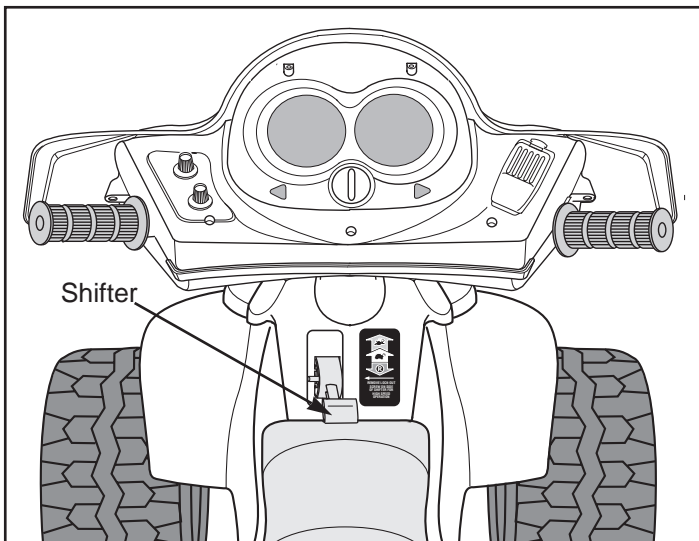
- Make sure the shifter is in the LOW SPEED position.
- Press the foot pedal. The vehicle will drive forward at a maximum of 2½ mph.
- Help your child practice steering to learn how far and how quickly to turn the handlebar when driving forward in low speed.

### To Stop



- Your vehicle has a patented, electronic braking system that automatically stops the vehicle when your child's foot is lifted from the pedal.
- Make sure your child is comfortable with steering the vehicle and automatically knows how to stop.

### To Back Up



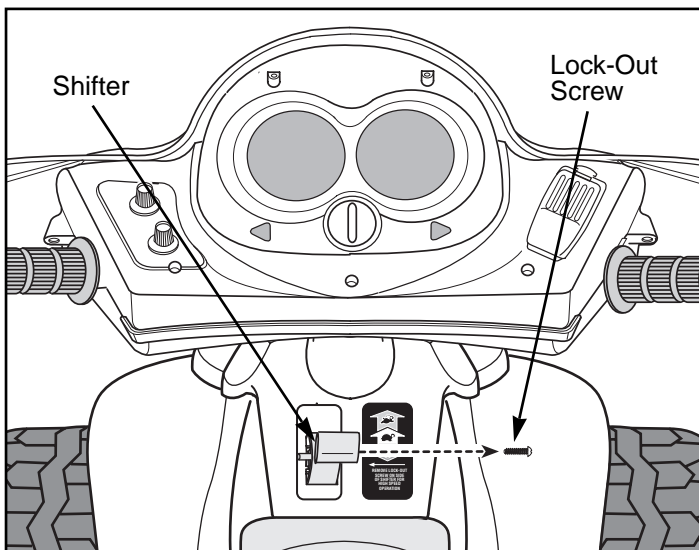
**Please Note: To avoid damaging the motors and gears, make sure to stop the vehicle before switching from forward to reverse.**

- Move the shifter to the REVERSE position.

## How to Operate Your Vehicle

### Advanced Use - High Speed Drive

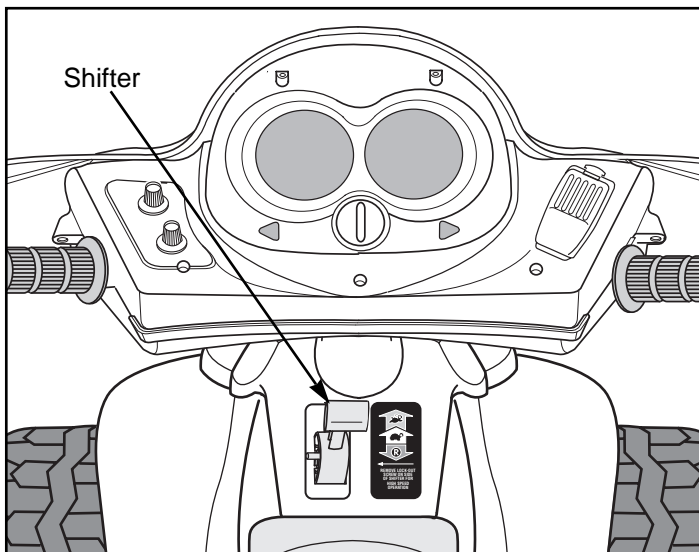
#### Disconnecting the High Speed Lock-Out



Before you disconnect the high speed lock-out, make sure your child knows how to start and stop the vehicle and knows the rules for safe driving. When the high speed lock-out is disengaged, the vehicle can be driven forward in low speed (2½ mph, maximum) or high speed (5 mph, maximum).

- Remove the lock-out screw from the shifter box using a Phillips screwdriver. Store the screw in the hole in the shifter for future use. You can re-insert the screw into the shifter box if you want to lock-out high speed and allow operation of the vehicle in low speed only.

#### To Drive



**Please Note: To avoid damaging the motors and gears, stop the vehicle before shifting between low and high speed.**

- Make sure the shifter is in the HIGH SPEED position.
- Press the foot pedal. The vehicle will drive forward at a maximum of 5 mph.

## How to Operate Your Vehicle

- Help your child practice steering to learn how far and how quickly to turn the handlebar when driving forward in high speed.
- Stopping in high speed is the same as stopping in low speed. The vehicle automatically stops when your child's foot is lifted from the pedal.

# M

### Bumper-to-Bumper\* Limited Warranty

- **\*One year limited warranty from the date of purchase on the Power Wheels® vehicle.**
- **Six month limited warranty on 6 volt batteries.**

For the original purchaser, this one year limited warranty covers the Power Wheels® ride-on vehicle (purchased from Power Wheels®) against defects in materials and workmanship. The six month limited warranty applies only to the 6 volt batteries included by Power Wheels® with the original purchase of the vehicle.

This warranty covers normal use and does not cover the Power Wheels® vehicle or battery if it has been damaged by unreasonable use, neglect, accident, abuse, misuse, improper service or other causes not arising out of defects in materials or workmanship. Evidence of any attempt at consumer repair will void this warranty. This warranty does not cover, and is intended to exclude, any liability on the part of Power Wheels®, whether under this warranty or implied by law, or any indirect or consequential damages for breach of warranty. Some states do not allow the exclusion or limitation, so this limitation may not apply to you.

Should you need service or assistance with your vehicle during the warranty period, **do not return the vehicle to the store.** Power Wheels® has provided a nationwide network of authorized service centers. Please refer to the list in this manual. Power Wheels® is continually expanding our Authorized Service Center Network. If there is not an authorized service center in your area, please call Consumer Affairs for information, **1-800-348-0751.**

This warranty gives you specific legal rights, and you may also have other rights which may vary from state to state.

**Please save your original sales receipt.**

# N

## Problems and Solutions Guide

**IMPORTANT!** If you experience a problem with your vehicle, first check the Problems and Solutions Guide below. If you still experience a problem, please contact Power Wheels® Consumer Affairs, toll-free at **1-800-348-0751** between 8 AM and 5 PM (EST) Monday through Friday. Or, contact your local Power Wheels® authorized service center. For the location nearest you, please refer to the Authorized Service Center list beginning on page 25.

Problem	Possible Cause	Solution
Vehicle does not run	Undercharged batteries	Charge the batteries. New batteries should have been charged for at least 18 hours before using the vehicle for the first time. After first-time use, recharge the batteries for at least 14 hours after each use. Never charge the batteries longer than 30 hours.
		Check all connectors. Make sure the battery connector is tightly plugged into the charger connector, and that the charger is plugged into the wall.
		Make sure power flow to the wall outlet is "ON".
	Charger is not working	There is no sure way to tell if your charger is working unless you have a volt meter. If you suspect there is a problem with your charger, contact your local Power Wheels® authorized service center. They can test your charger for you.
	Wrong type or improperly installed fuse	Make sure that the batteries have properly installed Power Wheels® thermal fuses before charging. For best performance, do not use substitute parts.
	Tripped thermal fuse	A thermal fuse may "trip" and shut down operation of the vehicle if the vehicle is overloaded or the driving conditions too severe. The fuse will automatically reset itself after approximately 25 seconds, allowing the vehicle to resume normal operation. To avoid repeated automatic shutdowns, do not overload the vehicle by exceeding the 65 lbs maximum weight capacity or by towing anything behind the vehicle. Avoid severe driving conditions, such as driving up very steep hills or running into fixed objects, which can cause the wheels to stop spinning while power is still being supplied to the motors. If a thermal fuse continually trips, contact your local Power Wheels® authorized service center.
	Loose wire or loose connectors	Check all wires and connectors. Make sure the battery connector is tightly plugged into the motor harness connector, and that there are no loose wires around the motors.
	Dead batteries	If your batteries are old or if you have not followed Battery Care instructions, your batteries may be dead. If you are unsure whether or not the batteries are dead, you can have them tested at your local Power Wheels® authorized service center.
	Electrical switch damage	The electrical switches can become corroded due to exposure to water or moisture, or can jam due to loose dirt, sand or gravel. Contact your local Power Wheels® authorized service center for diagnosis and repair.
Motor damage	Contact your local Power Wheels® authorized service center for diagnosis and repair.	
Vehicle was running but suddenly stopped	Loose wire or loose connectors	Check all wires and connectors. Make sure the battery connector is tightly plugged into the motor harness connector, and that there are no loose wires around the motors.
	Wrong type or improperly installed fuse	Make sure that the battery has properly installed Power Wheels® thermal fuses installed before charging. For best performance, do not use substitute parts.

# Problems and Solutions Guide

Problem	Possible Cause	Solution
Vehicle was running but suddenly stopped	Tripped thermal fuse	A thermal fuse may "trip" and shut down operation of the vehicle if the vehicle is overloaded or the driving conditions too severe. The fuse will automatically reset itself after approximately 25 seconds, allowing the vehicle to resume normal operation. To avoid repeated automatic shutdowns, do not overload the vehicle by exceeding the 65 lbs maximum weight capacity or by towing anything behind the vehicle. Avoid severe driving conditions, such as driving up very steep hills or running into fixed objects, which can cause the wheels to stop spinning while power is still being supplied to the motors. If a thermal fuse continually trips, contact your local Power Wheels® authorized service center.
Short run time (Less than 1 - 3 hours per charge)	Undercharged batteries	Charge the batteries. New batteries should have been charged for at least 18 hours before using the vehicle for the first time. After first-time use, recharge the batteries for at least 14 hours after each use. Never charge the batteries longer than 30 hours.
		Check all wires and connectors. Make sure the battery connector is tightly plugged into the charger connector, and that the charger is plugged into the wall.
		Make sure power flow to the wall outlet is "ON".
	Overcharged batteries	Do not charge the batteries longer than 30 hours. If you suspect that your batteries are damaged as a result of overcharging, contact your local Power Wheels® authorized service center. They can test your batteries for you.
	Batteries are old and will not accept full charge	Even with proper care, a rechargeable battery does not last forever. Average battery life is 1 to 3 years depending on vehicle use and use conditions. For best performance, do not use substitute parts.
	Wrong type or improperly installed fuse	Make sure that the batteries have properly installed Power Wheels® thermal fuses before charging. For best performance, do not use substitute parts.
Vehicle runs sluggishly	Undercharged batteries	Charge the batteries. New batteries should have been charged for at least 18 hours before using the vehicle for the first time. After first-time use, recharge the batteries for at least 14 hours after each use. Never charge the batteries longer than 30 hours.
		Check all connectors. Make sure the battery connector is tightly plugged into the charger connector, and that the charger is plugged into the wall.
		Make sure power flow to the wall outlet is "ON".

# Problems and Solutions Guide

Problem	Possible Cause	Solution
Vehicle runs sluggishly	Batteries need charging	After approximately 3 hours of constant use, the batteries need charging.
	Wrong type or improperly installed fuses	Make sure that the batteries have properly installed Power Wheels® thermal fuses installed before charging. For best performance, do not use substitute parts.
	Batteries are old and will not accept full charge	Even with proper care, rechargeable batteries do not last forever. Average battery life is 1 to 3 years depending on the vehicle use and use conditions. Replace the batteries with Power Wheels® 6 volt batteries. For best performance, do not use substitute parts.
	Vehicle is overloaded	Make sure you do not overload the vehicle by allowing more than 1 rider at one time, exceeding the 65 lbs. maximum weight capacity, or by towing objects behind the vehicle. If the vehicle is overloaded, the fuses in the batteries may "trip", and automatically shut down operation of the for approximately 25 seconds. Adjust the driving conditions to prevent repeated automatic shutdowns.
	Driving conditions are too stressful	Use only on gentle inclines or slopes of 10° or less. If the driving conditions are too stressful, the fuses in the batteries may "trip" and automatically shut down operation of the vehicle for approximately 25 seconds. Adjust the driving conditions to prevent repeated automatic shutdowns.
Vehicle runs in low speed but does not run in high speed (Note: The vehicle is designed to operate in low speed only in reverse.)	High speed lock-out not disconnected	The vehicle was pre-set to operate only in low speed until you disconnect the high speed lock-out. Follow the instructions on page 21 to disconnect High Speed Lock-out.
Sometimes the vehicle doesn't run, but other times it does	Loose wire or connector	Check all wires around the motors and all connectors to make sure they are tight.
	Motor or electrical switch damage	Contact your local Power Wheels® authorized service center for diagnosis and repair.
When the foot pedal is pressed, the vehicle won't run without a push	Loose wire or connector	Check all wires around the motors and all connectors to make sure they are tight.
	"Dead Spot" on motor	Contact your local Power Wheels® authorized service center for diagnosis and repair.
Thermal fuses constantly "trip", but the vehicle is not overloaded nor the driving conditions too severe	Damaged fuses	Contact your local Power Wheels® authorized service center for diagnosis and repair.
	Child is switching between FORWARD and REVERSE or LOW and HIGH without stopping	Teach your child to stop the vehicle before switching direction or speeds.
Loud clacking or grinding noise from a motor-gearbox	Broken gears	Contact your local Power Wheels® authorized service center for diagnosis and repair.
Charger gets warm during use	It is normal for some chargers to get warm during use and is not reason for concern. Some chargers do not get warm during use.	No action required.  If your charger does not get warm during use, it does not mean that it is not working properly.
Batteries make a sizzling or gurgling noise when charging	It is normal for some batteries to make noise and swell slightly while charging and is not reason for concern. Some batteries do not make noise or swell while charging.	No action required.  If your batteries do not make noise or swell slightly during charging, it does not mean that they are not accepting the charge.

If, after reviewing the Problems and Solutions Guide, the vehicle still fails to operate, please contact your nearest authorized service center (see page 25) or contact Power Wheels® Consumer Affairs toll-free at **1-800-348-0751**.



# O

## Authorized Service Centers

We are continually expanding our Authorized Service Center Network. Please check this listing for the Authorized Service Center nearest you. If there is not one in your area, please call Power Wheels® Consumer Affairs at 1-800-348-0751.

### ALABAMA

**BIRMINGHAM** - Frigid Service & Sales, 701 Graymont Ave. North, 35203, (205) 323-5831  
**BIRMINGHAM** - Frigid Service & Sales, 1861 Centerpoint Rd., 35215, (205) 853-3952  
**BIRMINGHAM (HOMEWOOD)** - D & R Appliance Company, 154 West Valley Ave., 35209, (205) 942-3959  
**DECATUR** - Peddler II, 1000 B Beltline Road, 35603, (205) 350-1044  
**DOTHAN** - Bill's Appliance Service, 208 Bic Road, P.O. Box 1192, 36303, (334) 792-7746  
**DOUGLAS** - Brown Hardware, Highway 75, 35964, (205) 593-6086  
**HUNTSVILLE** - C & G Appliance, 307 Jordan Lane, 35805, (205) 837-4551  
**MOBILE** - Foster's Appliance Repair, 1660 South Beltline Highway, 36693, (334) 666-2670  
**MONTGOMERY** - Acme Service Co., 2603 Highland Ave., 36107, (334) 264-2456

### ALASKA

**ANCHORAGE** - Ken's Electronics Service, 360 E. Inter-national, Ste. 8, 99518, (907) 562-3443

### ARIZONA

**GLENDALE** - Elliott Electric Appliance Service, 6242 N. 43rd Avenue, 85301, (602) 937-2613  
**SCOTTSDALE** - Elliott Electric, 7515 E. McDowell Road, 85257, (602) 946-7487  
**TUCSON** - Arizona Small Appliance Service Co., 5033 E 5th Street, 85711, (520) 325-3988

### ARKANSAS

**FT. SMITH** - Bromley Appliance Service, 614 North 10th Street, 72901, (501) 782-9646  
**HOT SPRINGS** - The Battery Center, 400 Airport Road, 71913, (501) 624-7144  
**JONESBORO** - Best Sewing & Vacuum & Repair, 2235 S. Caraway Road, 72401, (501) 935-4739, (800) 844-4739  
**LITTLE ROCK** - C & W Tool Repair, 1303 W. Markham, 72201, (501) 374-1911  
**MENA** - Bearcat Starter & Alt., 902 Highway 71 South, 71953, (501) 394-0320  
**ROGERS** - Kressel's Vacuum & Repair, 115 North 5th Street, 72756, (501) 636-7894  
**STUTTGART** - Davis Lumber Company, 301 East Michigan, 72160, (501) 673-3601

### CALIFORNIA

**ANDERSON** - Hardware Express/ Do It Best, 2681 Balls Ferry Road, 96007, (916) 365-3783  
**BAKERSFIELD** - Southwest TV, 6300 White Lane, Suite B, 93309, (805) 397-4940  
**CONCORD** - California Electric Service Center, 1170-G Burnett Avenue, 94520, (510) 827-1011  
**COVINA** - California Electric Service Center, 612 Shoppers Lane, 91723, (818) 915-4935  
**DUBLIN** - California Electric Service, 8947 San Ramon Road, 94568, (510) 551-3390  
**FONTANA** - California Electric Service Center, 9794 Sierra Avenue, 92335, (909) 355-2500  
**FORT JONES** - Ft. Jones Frontier Hardware, 11911 Main Street, 96032, (916) 468-2266  
**FRESNO** - Valley Small Appliance, 4005 E. Ashlan Avenue, 93726, (209) 224-5530  
**FULLERTON** - California Electric Service Center, 1208 E. Ash Avenue, 92631-5020, (714) 870-0900  
**LOS ALAMITOS** - California Electric Service Center, 11284 Los Alamitos Blvd., 90720, (562) 430-2668  
**MERCED** - Moosehead Electronics, 920 W. 18th Street, 95340, (209) 723-4712  
**MISSION VIEJO** - California Electric Service Center, 23725 Via Fabricante, Unit B, 92691, (714) 586-9440  
**OAKLAND** - California Electric Service Center, 1139 E. 12th Street, 94606, (510) 834-1050  
**OXNARD** - Tiny's Inc., The Clean-up Store, 1237 Saviers Road, 93033, (805) 487-9401, (800) 845-3223  
**PASADENA** - California Electric Service Center, 2594 E. Colorado Blvd., 91107, (818) 792-3194  
**SACRAMENTO** - California Electric Service Center, 1821 "Q" Street, 95814, (916) 443-5711  
**SALINAS** - SRS Hobbies, 1038A North Davis Road, 93907, (408) 424-4044  
**SAN CARLOS** - California Electric Service Center, 990 Industrial Road, Suite 102, 94070, (415) 593-6696

**SAN DIEGO** - California Electric Service Center, 3430 El Cajon Blvd., 92104, (619) 283-6488  
**SAN FRANCISCO** - California Electric Service Center, 1090 Bryant Street, 94103, (415) 431-8494  
**SAN JOSE** - California Electric Service Center, 481 So. Bascom, 95126, (408) 295-1723  
**SANTA ANA** - California Electric Service Center, 2025 South Main Street, 92707, (714) 641-0529  
**SANTA ROSA** - Hardisty's Inc., 710 Farmers Lane, 95405, (707) 545-0535  
**STOCKTON** - California Electronics, 929 North Yosemite Street, 95203, (209) 466-5432  
**TEMECULA** - California Electric Service Center, 41715 Enterprise Circle North, Suite 101, 92590, (909) 695-5445  
**VAN NUYS** - California Electric Service Center, 14753 Oxnard Blvd., 91411, (818) 997-8855  
**WEST LOS ANGELES** - California Electric Service Center, 2314 S. Westwood Blvd., 90064, (310) 475-2532  
**YUCAIPA** - Aire-Rite Heating & A/C, 34724 Yucaipa Blvd., 92399, (909) 797-2788

### COLORADO

**COLORADO SPRINGS** - Nelson Appliance Repair, Inc., 1220 E. Fillmore, 80907, (719) 635-1928, (800) 291-8010  
**DENVER** - Appliance Service, 4262 Lowell Blvd., 80211, (303) 458-1109, (800) 631-0941 (CO, WY only)  
**DENVER (ENGLEWOOD)** - Appliance Service, 3932 S. Broadway, 80110, (303) 781-1227, (800) 553-1864  
**GRAND JUNCTION** - V & L Appliance Service, 591 25 Road Suite A6, 81506, (970) 243-3366

### CONNECTICUT

**HARTFORD** - Hartford Element & Appliance Service, 1500 Albany Avenue, 06112, (860) 246-7424, (800) 787-7977  
**NEW HAVEN (HAMDEN)** - New Haven Appliance Service Center, 1627 Dixwell Avenue, 06514, (203) 288-6229  
**SHELTON** - Jeff's Appliance, Inc., 500A Howe Avenue, 06484, (203) 924-8997  
**STAMFORD** - Appliance Servicerent of Stamford, 15 Cedar Heights Road, 06905, (203) 322-7656  
**WATERBURY** - P.J. Appliance Repair, 935 South Main Street, 06706, (203) 757-1014

### DELAWARE

**DOVER** - Del-Mar Appliance of Delaware, 230 South Governors Avenue, 19904, (302) 674-2414, (800) 858-3424  
**WILMINGTON** - Lyons Hardware, Inc., 2021 Kirkwood Highway, 19805, (302) 995-1260

### FLORIDA

**ATLANTIC BEACH** - First Coast Repair, 25 Seminole Road, 32233, (904) 246-4616  
**CAPE CORAL** - Family Hardware/Do-It Express, 622 SE 47th Terrace, 33904, (941) 542-6365  
**DELRAY** - Mister Fix It, 209 S.E. 2nd Avenue, 33483, (561) 243-9999  
**GAINESVILLE** - Authorized Appliance Service Co., 2614 S.W. 34th Street, 32608, (352) 375-3886  
**HIALEAH** - S-O Service Co., 925 Hialeah Drive, 33010, (305) 887-6275  
**HOLLY HILL** - Ormond Element, 1668 Ridgewood Avenue, 32117, (904) 677-3497  
**JACKSONVILLE** - Authorized Appliance Service Co., 6120-5 Powers Avenue, 32217, (904) 737-5312  
**LAKELAND** - Electric Shaver & Small Appliance, 4243 S. Florida Avenue, 33813, (941) 644-4690  
**MIAMI** - Goodman's Sales & Service, 13081 SW 133 Court, 33186, (305) 278-8822  
**NORTH FORT MYERS** - Family Hardware, 13817 N. Cleveland Ave., 33903, (941) 995-6161  
**NORTH PALM BEACH** - Appliance Doctors, 450 Northlake Blvd., 33408, (407) 845-0377, FAX (407) 845-0378  
**OCALA** - Vacuums, Inc., 3535 S.E. Maricamp Road, #103, 34471, (904) 694-2247  
**OCALA** - Vacuums, Inc., 2461-A SW 27th Avenue, 34474, (352) 854-2247  
**ORLANDO** - Pine Hills Appliance Svc. Co., 6100-4 W. Colonial Drive, 32808, (407) 299-1271  
**ORLANDO** - Southern Electric Co., 510 N. Parramore Avenue, 32801, (407) 841-8824, (800) 940-8824  
**PANAMA CITY** - Callaway Vacuum & Sewing, 221 N. Tyndall Prkwy., 32404, (904) 763-6333  
**PENSACOLA** - Foster's Appliance Repair, 3836 N. Davis Highway, 32503, (904) 432-8853  
**POMPANO BEACH** - Authorized Appliance Service Co., 2171 N. Dixie Highway, 33060, (954) 941-2038

**POMPANO BEACH** - Philips Consumer Electronics, 2099 W. Atlantic Blvd., 33069, (954) 978-0467  
**PORT ST. LUCIE** - Hoppe's Authorized Vac & Appliance, 6735 S. Federal Way, 34592, (561) 464-0102  
**ROCKLEDGE** - Neelco Do-It Center, 400 Barton Blvd., 32955, (407) 639-1400  
**SARASOTA** - Sunray Small Appliances, 8371 N. Tamiami, 34243, (941) 358-9999, (800) 895-5655  
**SEBRING** - Sebring Do-It Center, 305 U.S. 27 North, 33870, (941) 385-2785  
**SPRING HILL** - Crowder Bros Hardware, 5350 Spring Hill Dr., 34606, (352) 686-4743  
**ST. PETERSBURG** - Keystone Electric, 4604 Central Avenue, 33711, (813) 321-1124  
**STUART** - Appliance Doctors, 3166 S.E. Dixie Highway, 34997, (561) 287-6437

### GEORGIA

**ATLANTA** - Georgia Service Center, 5366 Buford Hwy., 30340, (770) 455-1716, (800) 455-1715  
**ATLANTA (MARIETTA)** - Philips Consumer Electronics, 200 N. Cobb Parkway, Bldg. #100, Suite 120, 30062, (770) 795-0085  
**AUGUSTA** - A & A Appliance Parts & Service, 1708 Walton Way, 30904, (706) 733-5163  
**BRUNSWICK** - Arco Hardware & Supply, 3711 Community Road, 31520, (912) 267-0771  
**COLUMBUS** - Burrell's National Appliance Service, 1728 Warm Springs Road, 31904, (706) 327-0523  
**LOGANVILLE** - Mtn. Mower Sales and Service, 6099C Hwy. 20, 30249, (770) 466-9111  
**SAVANNAH** - Hagins Appliance Service, 3 West Victory Drive, 31405, (912) 233-8372  
**TIFTON** - Western Auto, 354 S. Main St., 31794, (912) 382-5767  
**VALDOSTA** - Harry B. Anderson, Inc. Western Auto, 204 Central Avenue, 31601, (912) 242-5945

### HAWAII

**HONOLULU** - McCully Bicycle & Sporting Goods, 932 Hausten Street, 96826, (808) 946-1192  
**WAILUKU (MAUI)** - Tom's Appliance Sales & Service, 891 Eha Street, 96793, (808) 244-6278  
**WAIPAHU** - Waipahu Bicycle, 94-320 Depot Street, 96797, (808) 671-4091

### IDAHO

**BOISE** - Boise Appliance, 1503 Main Street, 83702, (208) 343-0102

### ILLINOIS

**CHAMPAIGN** - Appliance Parts & Service Center, 905 Francois, 61821, (217) 355-0220  
**CHICAGO (BERWYN)** - Brand Service Center, 6739 West Cermak, 60402, (708) 749-4315  
**CHICAGO (DOWNER'S GROVE)** - Authorized Appliance Service Co., 1644 W. Ogden Avenue, 60515, (630) 852-1550  
**CHICAGO (MORTON GROVE)** - Brand Service Center, Inc., 5618 Dempster Street, 60053, (847) 965-5900  
**DECATUR** - Rexx Battery of Decatur, Inc., 1330 East Eldorado, 62521, (217) 422-0281  
**JACKSONVILLE** - Rexx Battery Specialists, 847 South Main Street, 62650, (217) 245-2713  
**NASHVILLE** - Kesel Hardware, 173 West St. Louis, 62263, (618) 327-8957  
**NILES** - Household Appliance Sales & Serv., 7411 N. Milwaukee Ave., 60714, (847) 647-8250  
**PEORIA** - Brand Service Center, 6926-I North University Street, Tanglewood Center, 61614, (309) 691-7588  
**ROCKFORD** - Sun Appliance Sales & Service, 3112 N. Rockton Avenue, 61103, (815) 964-3866  
**SPRINGFIELD** - Bannon Electronics, 1224 N. Franklin, 62702, (217) 523-0313  
**WAUKEGAN** - Brand Service Center, 2850 Belvidere Road, 60085, (847) 244-5800

### INDIANA

**EVANSVILLE** - Electro Hygiene Co., 1614 South Kentucky, 47714, (812) 425-2671  
**FT. WAYNE** - Don's Hardware, 5701 Coventry Lane, in the Village of Coventry, 46804, (219) 436-2278  
**FT. WAYNE** - Sun Appliance Service & Sales, 3523 N. Anthony Blvd., 46805, (219) 482-1702

**INDIANAPOLIS** - Brand Service Center, 1827 N. Meridian Street, 46202, (317) 924-1386

# Authorized Service Centers

**INDIANAPOLIS** - Sullivan Hardware Do-It Center, 7021 N. Keystone, 46220, **(317) 255-9230**  
**NEW ALBANY** - Wells Hardware, Inc., 1011 Vincennes Street, 47150, **(812) 944-4523**  
**SOUTH BEND** - Ray's TV and Appliance, 60717 US 31 South, 46614, **(219) 291-1630**  
**SOUTH BEND (OSCEOLA)** - AAA Appliance Service Co., 11868 Lincoln Way West, 46561, **(219) 679-4981**  
**TERRE HAUTE** - Corey Electronics, 1101 S. 8th Street, 47802, **(812) 232-8786, (888) 232-8786**

## IOWA

**BETTENDORF** - K & K True Value Hardware, 1818 Grant Street, 52722, **(319) 359-4473**  
**CEDAR RAPIDS** - Stalker Electric, Inc., 110 3rd Ave. SW, 52404, **(319) 364-5646**  
**DES MOINES** - Quality Appliance Repair Center, 1417 Walnut Street, 50309, **(515) 288-0108**  
**DUBUQUE** - Shaver's Plus, 1824 Central Avenue, 52001, **(319) 556-4442**  
**SIOUX CITY** - Millard Television Inc., 1419 Hamilton Blvd., 51103, **(712) 258-3435**

## KANSAS

**COLBY** - Gavon's Electronics, 1870 South Range, 67701, **(913) 462-6601**  
**JUNCTION CITY** - R/C Hobbies, 115 W. 7th Street, 66441, **(913) 238-1877**  
**KANSAS CITY (OVERLAND PARK)** - Mar-Beck Appliance Service Co., 8471 West 95th Street, 66212, **(913) 642-1557**  
**WICHITA** - Alan Appliance Service, Inc., 1300 E. Central, 67214, **(316) 262-7228, (800) 290-7228**

## KENTUCKY

**GREENVILLE** - Malone Lumber Do-It Center, 204 W. Depot Street, 42345, **(502) 338-3252**  
**LEXINGTON** - Factory Electronics, 2422 Palumbo Drive, 40509, **(606) 269-7341**  
**LEXINGTON (VERSAILLES)** - Deaver's Hardware, 221 N. Main St., 40383, **(606) 873-7396**  
**LOUISVILLE** - Maury's Fluorescent & Appliance Service, 1521 Bardstown Road, 40205, **(502) 456-1671**  
**MADISONVILLE** - Kuester's Hardware, N. Main St., Martin Mall, 42431, **(502) 825-2818**  
**MT. WASHINGTON** - Mt. Washington Auto Supply, 520 N. Bardstown Rd, P.O. Box 316, 40047, **(502) 538-4296**  
**OWENSBORO** - Kuester's Hardware, 1210 Carter Road, 42301, **(502) 685-4916**  
**PADUCAH** - Hank Brothers True Value, 3101 Lone Oak Rd., 42003, **(502) 554-4001**

## LOUISIANA

**BATON ROUGE** - Home Appliance Service, Inc., 10781 Florida Blvd., 70815, **(504) 272-7727**  
**HAMMOND** - Battery Depot, 207 E. Thomas Street, 70401, **(504) 542-4983**  
**LAFAYETTE** - Cullen's Playland, 4498 Johnston Street, 70503, **(318) 981-2929**  
**LAKE CHARLES** - Capitol Schwinn Cyclery, 722 E. Prien Lake Road, 70605, **(318) 474-9090**  
**NEW ORLEANS (METAIRIE)** - Le Jouet, Inc., 1700 Airline Hwy, 70001, **(504) 837-0533**  
**SHREVEPORT** - Shreveport Shaver and Appliance, 9750 St. Vincent, Burt Kouns Ind. Loop, 71106, **(318) 865-5088, (800) 349-7722**

## MAINE

**BANGOR** - Adco Surgical Supply Co., 1292 Hammond St., 04401, **(207) 942-5273**  
**GREENE** - Brule's Auto Clinic & Sales, 968 Sawyer Road, 04236, **(207) 375-4872**  
**PORTLAND** - Colonial Electronics, Inc., 259 St. John Street, 04102, **(207) 774-6666**

## MARYLAND

**BALTIMORE (ELLCOTT CITY)** - Clark Do-It Center, 10325 Baltimore National Pk., 21042, **(410) 313-8100**  
**BALTIMORE (TOWSON)** - Duran Service Company, 8741 Mylander Lane, 21286, **(410) 321-9033**  
**BERLIN** - Myers Auto-Power Tool Rental Co., Inc., 10714 Ocean Gateway, 21811, **(410) 641-3497**  
**GAITHERSBURG** - Waters Appliance Service, 216 E. Diamond Avenue, 20877, **(301) 258-7500, (800) 225-5009**  
**SALISBURY** - Cycle and Sports Outlet, 2505 N. Salisbury Blvd., 21801, **(410) 860-0400**  
**TANEYTOWN** - MacHenry Services, 68 Frederick Street, 21787, **(410) 756-6659, (800) 276-1301**  
**WASHINGTON D.C. (BELTSVILLE)** - Philips Consumer Electronics, 10800 Rhode Island Avenue, 20705, **(301) 595-5330, (800) 438-9647**

## MASSACHUSETTS

**BOSTON (MEDFIELD)** - Wills Hardware, 5 Janes Avenue, 02052, **(508) 359-4381**  
**BOSTON (WALTHAM)** - Suburban Appliance Service Center, Inc., 271 Moody Street, 02154, **(617) 893-6694**

**LOWELL** - Lowell Appliance Service Center, Inc., 564 Dutton Street, 01854, **(508) 454-8731**  
**MAYNARD** - Gramp's Garage, 16 Main Street, 01754, **(508) 461-0463**  
**QUINCY** - Appliance Service and Parts, Inc., 582 Wash-ington Street, Route 3A, 02169, **(617) 773-6656**  
**SALEM** - Fix Master, Inc., 190 North Street, 01970, **(508) 745-0004**  
**SPRINGFIELD** - Utility Electric Service, Inc., 810 Main Street, 01101, **(413) 781-1635**

## MICHIGAN

**ALMONT** - Almont Hardware, 4545 Van Dyke, P.O. Box 511, 48003, **(810) 798-8922**  
**BAY CITY** - Bay Vac & Pedal, 805 Columbus Ave., 48708, **(517) 892-7516**  
**BRIGHTON** - Complete Battery Source, 8023 W. Grand River, 48116, **(810) 220-1050**  
**DEARBORN** - McNichols Electric Service, 1836 Grindley Park, 48124, **(313) 563-7550**  
**DETROIT** - McNichols Electric Service, 13725 W. McNichols, 48235, **(313) 342-6070, (800) 562-4226**  
**DETROIT (ROYAL OAK)** - McNichols Electric Service, 4115 West 13 Mile Road, 48072, **(810) 288-5135**  
**FLINT (DAVISON)** - Gill-Roy's Hardware, 8405 East Davison, 48423, **(810) 653-2288**  
**FLINT (SWARTZ CREEK)** - Gill-Roy's Hardware, 9061 Miller Road, 48473, **(810) 635-2020**  
**GRAND RAPIDS** - Superior Appliance Service Co., 1050 Scribner Avenue, NW, 49504, **(616) 459-3271**  
**JACKSON** - Hammond Hardware, 1800 Francis St., P.O. Box 7, 49204, **(517) 782-0704**  
**KALAMAZOO** - Bill Coleman TV, 3938 S. Westnedge, 49008, **(616) 344-1200**  
**LANSING** - Rapid Appliance Service, Inc., 1454 E. Michigan Avenue, 48912, **(517) 485-1320**  
**MIDLAND** - Knopic's Do-It Center, 3128 Jefferson Ave., 48640, **(517) 832-2774**  
**PRUDENVILLE** - Ford's Do-It Center, 841 W. Houghton Lake Drive, 48651, **(517) 366-7622**  
**TRAVERSE CITY** - De Weese Hardware Inc., 1029 Carver Street, 49685, **(616) 947-7670**

## MINNESOTA

**BRAINERD** - Diggz Motor Sports, 4299 Hwy. 371 North, 56401, **(818) 828-8088**  
**DULUTH** - All Brand Mr. Fixit, 16 West First Street, 55802, **(218) 722-1499**  
**DULUTH** - Mr. Fix it - Metro Appl. Service Center, Inc., 2020 W. Superior St., 55806, **(218) 722-9063**  
**MINNEAPOLIS (ST. LOUIS PARK)** - Barness, 4631 Excelsior Blvd., 55416, **(612) 926-0521**  
**ROCHESTER** - Robert's Electronics, 611 6th Ave. NW, 55901, **(507) 282-2140**  
**ST. PAUL** - Barness, 1573 University Avenue, 55104, **(612) 646-3109**

## MISSISSIPPI

**HATTIESBURG** - Champion Cycle & Fitness, 104 South 37th Avenue, 39401, **(601) 264-8233**  
**IUKA** - W. H. Fairless Hardware Co., Inc., 117 Fulton Street, 38852, **(601) 423-2233, (800) 797-9457**  
**JACKSON (RIDGELAND)** - Propeller Service, 291 Hwy. 51, Suite D6, 39157, **(601) 856-3191**  
**MERIDIAN** - Broadmoor Home Center, 2420 Old North Hills Street, P.O. Box 3280, 39305, **(601) 483-7373**  
**NATCHEZ** - Western Auto, 180 Seargent Prentiss Dr., 39120, **(601) 445-4186**  
**STARKVILLE** - East Mississippi Lumber Co., 300 Russell Street, 39759, **(601) 323-3554**

## MISSOURI

**INDEPENDENCE** - Mar-Beck Appliance Service Co., 4476 South Noland Road, 64055, **(816) 478-1889**  
**KANSAS CITY** - Mar-Beck Appliance Service Co., 303 W. 79th Street, 64114, **(816) 523-6931**  
**KANSAS CITY (GLADSTONE)** - Mar-Beck Appliance Serv. Co., 6559 N. Oak Traffic Way, 64118, **(816) 436-9191**  
**POPLAR BLUFF** - Mills Iron & Supply, 1919 S. Westwood Blvd., 63901, **(573) 785-2628**  
**SPRINGFIELD** - Mar-Beck Appliance Service Co., 2704 S. Glenstone Avenue, 65804, **(417) 882-3070**  
**ST. LOUIS** - Authorized Appliance, Inc., 2355 Hampton Avenue, 63139, **(314) 647-4250**  
**ST. LOUIS** - Brand Service Center, Inc., 1624 S. Broadway, 63104, **(314) 231-0751**

## MONTANA

**BILLINGS** - Radio Equipment Company, 1120 16th Street West, 59104, **(406) 256-9778, (800) 711-4024**

## NEBRASKA

**GRAND ISLAND** - Mundt's Small Appliance & Vacuum Repair, 1822 W. Northfront Street, 68803, **(308) 382-5084**  
**LINCOLN** - CB Small Appliance, 432 South 11th Street, 68508, **(402) 475-2546**

**LINCOLN** - Sperry TV, 1115 North 47th St., 68503, **(402) 464-9181**  
**LINCOLN** - Sperry TV, 2013 Highway 2, 68502, **(402) 464-9181**  
**NORTH PLATTE** - Sperry TV, 1855 West A Street, Westfield Shopping Center, 69010, **(308) 532-5200**  
**OMAHA** - Myers Electric Co., 7571 Dodge Street, 68114, **(402) 393-8388, (800) 234-1414**  
**OMAHA** - Myers Electric Co., Inc., 1458 South 16th Street, 68108, **(402) 342-7710**

## NEVADA

**LAS VEGAS** - Burney's Commercial Service, Inc., 4480 Aldebaran Avenue, 89103, **(702) 736-0006**  
**MINDEN** - Valley Home & Sport Center, 1587 Highway 395, 89423, **(702) 782-5111**

## NEW JERSEY

**EAST RUTHERFORD** - Philips Consumer Electronics, 180 Manor Road, 07073, **(201) 935-0600**  
**HAWTHORNE** - Ter Kuile, Inc., 206 Diamond Bridge Avenue, 07506, **(201) 423-1142**  
**HIGHLAND PARK** - Dash Electronics, 10 N. 2nd Street, 08904, **(908) 247-5124**  
**HOWELL** - South Jersey TV Service, Inc., 4232 Rt. 9 South, 07731, **(908) 363-5550, (800) 244-3094**  
**OCEAN** - South Jersey TV Service, Inc., 1719 Route 35, 07712, **(908) 531-3565**  
**SICKLERVILLE** - Sicklerville Hardware, 540 Williamstown Road, 08081, **(609) 728-3800**  
**TOMS RIVER** - South Jersey TV Service, Inc., Stella Towne Center, 1258 Route 166, 08753, **(908) 499-1771**  
**TOTOWA** - Philips Consumer Electronics, 140 J Commerce Way, 07512, **(201) 890-0586**  
**TRENTON** - Tattersall, Inc., 309 N. Willow Street, 08618, **(609) 393-4293**

## NEW MEXICO

**ALBUQUERQUE** - Appliance Service Center, 5505 Silver Avenue, SE, 87108, **(505) 265-7774**  
**CLOVIS** - Burns Hardware, 1511 N. Prince, 88101, **(505) 769-2528**

## NEW YORK

**BAYSHORE, L.I.** - Turnpike Appliance of Suffolk, Inc., 1253 Sunrise Highway, 11706, **(516) 665-8311**  
**BINGHAMTON** - Hardware Fare DO-IT Center, 1139 Front Street, Hammondsburg Square, 13905, **(607) 722-9202**  
**BUFFALO** - Buffalo Appliance Repair Center, Inc., 20 Pannell Street, 14214, **(716) 833-4677**  
**BUFFALO (WILLIAMSVILLE)** - Hector's Hardware, 876 Maple Road, 14221, **(716) 688-4488**  
**COMMACK, L.I.** - Turnpike Appliance Service, 6181 Jericho Turnpike, 11725, **(516) 499-3355**  
**ELMIRA** - Capabilities, Inc., 1149 Sullivan Street, 14901, **(607) 734-2006**  
**GREAT NECK** - Turnpike Appliance Service Center, 45 Northern Boulevard, 11021, **(516) 466-0644**  
**HUDSON** - Sweeps Vacuum & Repair Center, Inc., 705 Warren Street, 12534, **(518) 828-5457**  
**PEEKSKILL** - Clark Appliance & Vacuum Service Corp., 950 Main Street, 10566, **(914) 737-1368, (800) 765-0649**  
**POUGHKEEPSIE** - S & S Appliance Sales & Service, 390 Violet Avenue, 12601, **(914) 452-6122**  
**RICHMOND HILL** - Lockdoctor Locksmiths, 104-37 Atlantic Ave., 11418 (718) 441-6242  
**ROCHESTER** - Benfante Appliance Service, 1286 Mt. Hope Avenue, 14620, **(716) 473-8765**  
**SEA CLIFF, L.I.** - Shabra Electronics, 400 Glen Cove Avenue, 11579, **(516) 671-2218**  
**STATEN ISLAND** - Springstead Lumber 6232, 4255 Amboy Road, 10308, **(718) 984-0300**  
**SYRACUSE** - County Wide Appliance, 1001 N. State Street, 13208, **(315) 479-5253, (800) 333-3243**  
**TUCKAHOE** - Authorized Appliance of Westchester, 26 Columbus Ave., 10707, **(914) 961-8011**  
**UTICA** - Oneida Bicycle & Sports Center, 2107 Whitesboro St., 13502, **(315) 724-6084**  
**WARWICK** - Wadson Home Center, 60 Forester Avenue, 10990, **(914) 986-2215, (800) 982-2215 (NY only)**  
**W. HEMPSTEAD L.I.** - Turnpike Appliance Service, 86 Hempstead Turnpike, 11552, **(516) 486-5700, (800) 628-3911**

## NORTH CAROLINA

**ASHEVILLE** - Skyland Hardware, 3179 Sweeten Creek Road, 28803, **(704) 684-0308**  
**CHARLOTTE** - Authorized Appliance Servicer, 1020 Tuckaseegee Road, 28208, **(704) 377-4501, (800) 532-6127**  
**CLINTON** - Danny's Service Center, 119 Vance Street, 28328, **(910) 592-3200**  
**ELIZABETH CITY** - Coastal Office Equipment Co., 501 East Church Street, 27909, **(919) 335-2927**  
**GREENSBORO** - Greensboro Shaver & Appliance, 430 North Eugene Street, 27401, **(910) 273-1065**

# Authorized Service Centers

**HICKORY** - First Flight Bicycles, 2435 N. Center Street, 28601, (704) 324-9350

**RALEIGH** - Authorized Appliance Service Center, 800 North Person Street, 27604, (919) 834-3476

**STATESVILLE** - First Flight Bicycles, 216 S. Center St., 28677, (704) 878-9683

**WILMINGTON** - American Tool & Tractor, 102 Eastwood Road, Ste. D-9, 28403, (910) 392-5784

**WINSTON-SALEM** - Authorized Appliance Servicenter, 904 South Marshall Street, 27117, (910) 725-5396

## NORTH DAKOTA

**FARGO** - General Parts & Supply Co., 10 S. 18th Street, 58103, (701) 235-4161, (800) 279-9987

## OHIO

**AKRON** - Advanced Appliance Service Company, 73 W. Exchange Street, 44308, (330) 762-8968

**CANTON** - Appliance Parts Co., 1267 Dueber Avenue, SW, 44706, (330) 453-8077

**CINCINNATI** - H&S Service, 458 Cincinnati Batavia Pike, 45244, (513) 528-0808

**CINCINNATI (SILVERTON)** - Brand Service Center, Inc., 6944 Plainfield Road, 45236, (513) 793-1170

**CLEVELAND** - Majors Appliance, 5845 Turney Road, 44125, (216) 663-4650

**CLEVELAND (MENTOR)** - Lake Erie Lawn & Garden, 7833 Munson Rd., 44060, (216) 257-9000

**CLEVELAND (PARMA)** - Majors Appliance, 5785 Ridge Road, 44129, (216) 884-7200

**CLEVELAND (WESTLAKE)** - Philips Consumer Electronics, 24090 Detroit Avenue, 44145, (216) 899-2040, (800) 331-7037

**DAYTON** - Layer Electric, 603 South Ludlow Street, 45402, (937) 224-9608

**DAYTON (NEW CARLISLE)** - Ballweg Do-It Center, 3300 South Dayton, Lakeview Rd., 45344, (937) 849-1306

**LIMA** - Crouse Lumber Do-It Center, 333 E. Market Street, 45801, (419) 229-9070, (800) 826-9663

**NEW BOSTON** - True Value Toy Town, Rt. 52 & 139, 45662, (614) 456-5704

**STRYKER** - Short's Hardware, 115 N. Depot Street, 43557, (419) 682-4231

**TOLEDO** - Broadway Sales and Appliance Repair, 1621 Broadway, 43609, (419) 241-9731, (800) 436-5415

**YOUNGSTOWN** - O'Connor's, 3224 Market Street, 44507, (330) 782-4705

## OKLAHOMA

**OKLAHOMA CITY** - Brand Service Center, 538 N. Pennsylvania Avenue, 73107, (405) 235-0583

**TULSA** - H.L. Moss, Inc., 1714 E. 15th Street, 74104, (918) 744-1305, (800) 248-5948

## OREGON

**PORTLAND** - Appliance Repair Central, 3203 N. E. Sandy Blvd., 97232, (503) 234-7339, (800) 588-7339

## PENNSYLVANIA

**ALTOONA** - Frye's Sweeper & Sewing Center, Inc., 1400 Valley View Boulevard, 16602, (814) 943-5001, (800) 640-1308

**HARRISBURG** - C.A. Juillard, Inc., 2301 North Seventh Street, 17110, (717) 233-3488, (800) 633-3488

**JOHNSTOWN** - Cambria True Value Hardware, West Hills Square, Goucher Street, 15905, (814) 255-4752

**KINGSTON** - Vac-Way Appliance & Service, 595 Market Street, 18704, (717) 288-4508

**LITTLESTOWN** - Machinery Services, 830 West King Street, 17340, (717) 359-5051

**MOSCOW** - Vac-Way Appliance & Service, RR #6 Box 6237, 18444, (717) 842-4668

**ORANGEVILLE** - Hess Do-It Center & Market, Route 487, Box 4 M, 17859, (717) 683-5162

**PHILADELPHIA** - Appliance Care/Service Corp., 6407 Rising Sun Ave., 19111, (215) 725-3112

**PHILADELPHIA (COLLINGDALE)** - J.F. Kenney Electric, 920 MacDade Boulevard, 19023, (610) 534-7373

**PITTSBURGH** - Ferry Electric Service Co., 7498 McKnight Road, 15237, (412) 364-3403

**PITTSBURGH** - Ferry Electric Service Co., 140 Clairton Blvd., 15236, (412) 653-6004

**READING** - Electric Repair Co., 502-504 North 9th Street, 19604, (610) 376-5444, (800) 422-8171 (PA only)

**SCRANTON** - Vac-Way Appliance and Service, 601 Cedar Avenue, 18505, (717) 343-1121

**SHAMOKIN DAM** - Willard Battery Outlet, 138 S. Old Trail, 17876, (717) 743-5383

**TROY** - Hoover Hardware, 9 Canton, 16947, (800) 251-2156, (717) 297-3445

**WASHINGTON** - Murphy Family Inc., 585 East National Pike, 15301, (412) 225-0324

**WILKES-BARRE** - Walter Hardware DO-IT Center, 57 N. Welles Street, 18702, (717) 823-1406

**YORK** - Parcel Plus, 2549 E. Market Street, York Market Place, 17402, (717) 757-1875

## PUERTO RICO

**GATINEAU** - Les Equipements Brabant & Fils, 776B Blvd. Maloney, J8P 1G6, (819) 663-2526

**HATILLO** - Tropical Parts Service, P.O. Box 1335, Road 130 KM 8.5, 00659, (787) 898-6474

**MAYAGUEZ** - Cardona Appliance Service, 8 San Vicente Sreet, 00680, (787) 832-8366

**MAYAGUEZ** - Melendez Home Appliance Repair, Calle Post 319 Sur, 00680, (787) 832-5225

**PONCE** - Ferreteria Vivian, Centro Comercial, Los Caobos #7, 00731, (787) 840-0677

**PUERTO NUEVO** - Buckye Service, 1013 Jesus T. Pinero Avenue, 00920, (787) 782-6175

## RHODE ISLAND

**PROVIDENCE** - Marshall Electric Co., 200 Broad Street, 02903, (401) 331-4482

## SOUTH CAROLINA

**CHARLESTON HEIGHTS** - Dorchester Electric Service, 3575 Dorchester Avenue, 29405, (803) 747-5221

**COLUMBIA** - Authorized Appliance Servicenter, 1811 Taylor Street, 29202, (803) 254-8414

**DARLINGTON** - Hobbies and More, 1570 South Main Street, 29532, (803) 393-0355, FAX (803) 393-8171

**GREENWOOD** - Bikes & Boards & Mopeds, 203A Montague Avenue, 29646, (864) 229-2453

**SENECA** - Seneca Micronics, 110 East North First, 29678, (864) 882-6593

**SPARTANBURG** - Boiling Springs Hardware, 3124 Boiling Springs Rd, 29303, (864) 578-1852

**VARNVILLE** - P&S Small Engine & Variety Shop, 105 Carolina Avenue, West, 29944, (803) 943-9141

## TENNESSEE

**CHATTANOOGA** - Light Electric, 732 East 11th Street, 37403, (615) 267-9224

**KNOXVILLE** - Appliance & Electric Service Company, 4816-M Kingston Pike, 37919, (423) 588-5395, (800) 585-5395

**KNOXVILLE** - Authorized Appliance Service Center, 1206 North Central Street, 37917, (423) 524-3376

**MEMPHIS** - Camp Electric Co., 647 Madison Avenue, 38103, (901) 527-7543, (800) 238-7345

**NASHVILLE** - Webb's Appliance Service Center, Inc., 1519 Church Street, 37203, (615) 329-4079, (800) 899-4079

## TEXAS

**ABILENE** - Metro Small Appliance Service Co., 141 S. Clyde, 79605, (915) 672-1853

**AMARILLO** - Reid's Appliance Service, Inc., 906 Georgia, 79102, (806) 373-8812

**ANTHONY** - Villarreal & Sons Elec., 512 S. Third Street, 79821, (915) 886-3362

**AUSTIN** - Harrell Supply and Service, Inc., 5435 Burnet Road, 78756, (512) 451-6464, (800) 332-7250 (TX only)

**AUSTIN** - Harrell Supply and Service, Inc., 1409 West Oltorf, 78704, (512) 442-5966

**AUSTIN (ROUND ROCK)** - Harrell Supply, 907c Interstate Highway 35, 78664, (512) 388-0866

**CORPUS CHRISTI** - Brand Appliance & Microwave, 2751 South Staples, 78404, (512) 854-1851

**DALLAS** - Pearsol Appliance Co., 3127 Main Street, 75226, (214) 939-0930

**DALLAS** - All Type Sales and Service Co., Inc., 2835 Irving Blvd., 75207, (214) 638-1170, (800) 717-1170

**FT. WORTH** - Ft. Worth Shaver and Appliance Center, 1012 West 7th Street, 76102, (817) 335-9970

**HOUSTON** - Brand Service Center, 5727 Richmond Avenue, 77057, (713) 782-8910

**HOUSTON** - Brand Service Center, 1970 FM 1960, 77090, (713) 537-7795

**LAREDO** - Rubio Electric, 1719 San Bernardo, 78040, (210) 722-3908

**LONGVIEW** - Toys and Things, 918 NW Loop 281, 75604, (903) 759-3939

**LUBBOCK** - Minter's, 4409 50th Street, 79414, (806) 799-3170

**LUFKIN** - STS Audio and Video, 1505 South First Street, 75901, (409) 639-4529

**MC ALLEN** - All-In-One Repair Shop, 2313 Lark Avenue, 78504, (210) 682-8858

**MIDLAND** - Midland Tool Specialty, 918 South Main, 79701, (915) 682-4647, (800) 499-0755

**PASADENA** - Larry's TV Service, 3520 Fairmont Parkway, 77504, (713) 998-0122, (800) 244-0281

**ROMA** - True Value Hardware, 1004 E. Highway 83, (210) 849-1322

**SAN ANTONIO** - Brand Service Center, 7065 San Pedro Avenue, 78216, (210) 344-8577

**SEYMOUR** - Western Auto, 211 N. Main Street, 76308, (817) 888-3980

**TEMPLE** - Master Tech Repairs, 2819 West Avenue North, 76504, (817) 773-8991

**VICTORIA** - Tom's Video Service, 211 East Anaqua, 77901, (512) 576-0664, (800) 433-0664

**WICHITA FALLS** - Burke's Appliance Service, 2410 10th Street, 76309, (817) 723-6211

## UTAH

**OREM** - The Mending Shed, 1735 South State Street, 84058, (801) 225-8012, (800) 339-9297

**SALT LAKE CITY** - Appliance Service Center, Inc., 210 East 6th South, 84111, (801) 328-9703

## VERMONT

**RUTLAND** - Appliance Service Center Ltd., 152 Woodstock Avenue, 05701, (802) 773-8917

## VIRGINIA

**FREDERICKSBURG** - Logan Electric Service, Inc., 98 Industrial Drive, 22408, (540) 898-8873

**HARRISONBURG (PENN LAIRD)** - J.L. Maintenance & Repair, Inc., Route 2, Box 308, 22846, (540) 289-9844

**NEWPORT NEWS** - Commonwealth Electric Shaver Sales & Service, Inc., 10105 Jefferson Ave., 23605, (757) 595-6712

**NORFOLK** - Commonwealth Electric Shaver Sales & Service, Inc., 6612 E. Virginia Beach Blvd., 23502, (804) 461-4475

**ROANOKE** - Commonwealth Shaver & Appliance Service, 5524 Williamson Road, NW, 24012, (540) 366-6038

**SOUTH BOSTON** - South Boston True Value, 307 Broad Street, 24592, (804) 572-6666

**VIENNA** - Appliance Fix-It, 8455 Tyco Road, 22182, (703) 893-1234

**WINCHESTER** - Battery Mart of Winchester, Inc., 1 Battery Dr., 22601, (703) 655-0065

**WOODBIDGE** - Baker's Appliance, 13314 Occoquan Road, 22191, (703) 490-5605

## WASHINGTON

**SEATTLE** - Ajax Electric, 2911 First Avenue South, 98134, (206) 622-9945

**SEATTLE (BELLEVUE)** - Action Small Appliance Service, 1500 145th Place, SE, 98007, (206) 643-9806

**SPOKANE** - SPARCO, West 45 2nd Avenue, 99204, (509) 624-8965

**SPOKANE** - SPARCO, N. 1119 Pines Rd., 99206, (509) 922-9666

## WEST VIRGINIA

**BECKLEY** - Jerry's Detectors, Vacuum & Appl. Svc., 411 Second Street, 25801, (304) 253-3521

**CHARLESTON** - Sneed's Vacuum & Sewing Center, 2614 7th Avenue, 25312, (304) 744-3670, (800) 245-8048 (WV only)

**HARRISVILLE** - Western Auto, 1107 E. Main St., 26362, (304) 643-2226

**HUNTINGTON** - Mike's Appliance and Service, 212 20th Street, 25703, (304) 522-0737

**MARTINSBURG** - Battery Mart, 1161-3 Winchester Avenue, 25401, (304) 267-7033, (800) 464-7918

**WHEELING** - Fast Service Center, 1058 Main Street, 26003, (304) 232-5561 (800) 874-4090

## WISCONSIN

**APPLETON** - G/Tech Electric Tool & Housewares Service, 600 W. College Ave., 54911, (414) 739-6064, (800) 400-6064

**GREENBAY** - Kastle Carts, Inc., 2301 N. Irwin Ave., 54313, (414) 465-6121

**LACROSSE** - Paul's Shaver Service, 1224 Caledonia Street, 54603, (608) 782-6291

**MADISON (MONONA)** - Kiefer's Shaver and Appliance, 4511 Monona Drive, 53716, (608) 221-3322

**MAUMETTE** - Della Do-It Center, W 1536 Highway 41, 54143, (715) 732-1768

**MILWAUKEE** - Brand Appliance Repair, Inc., 3707 North 92nd Street, 53222, (414) 461-0440

**MILWAUKEE** - Brand Appliance Repair, Inc., 6000 W. Oklahoma Street, 53219, (414) 541-4340





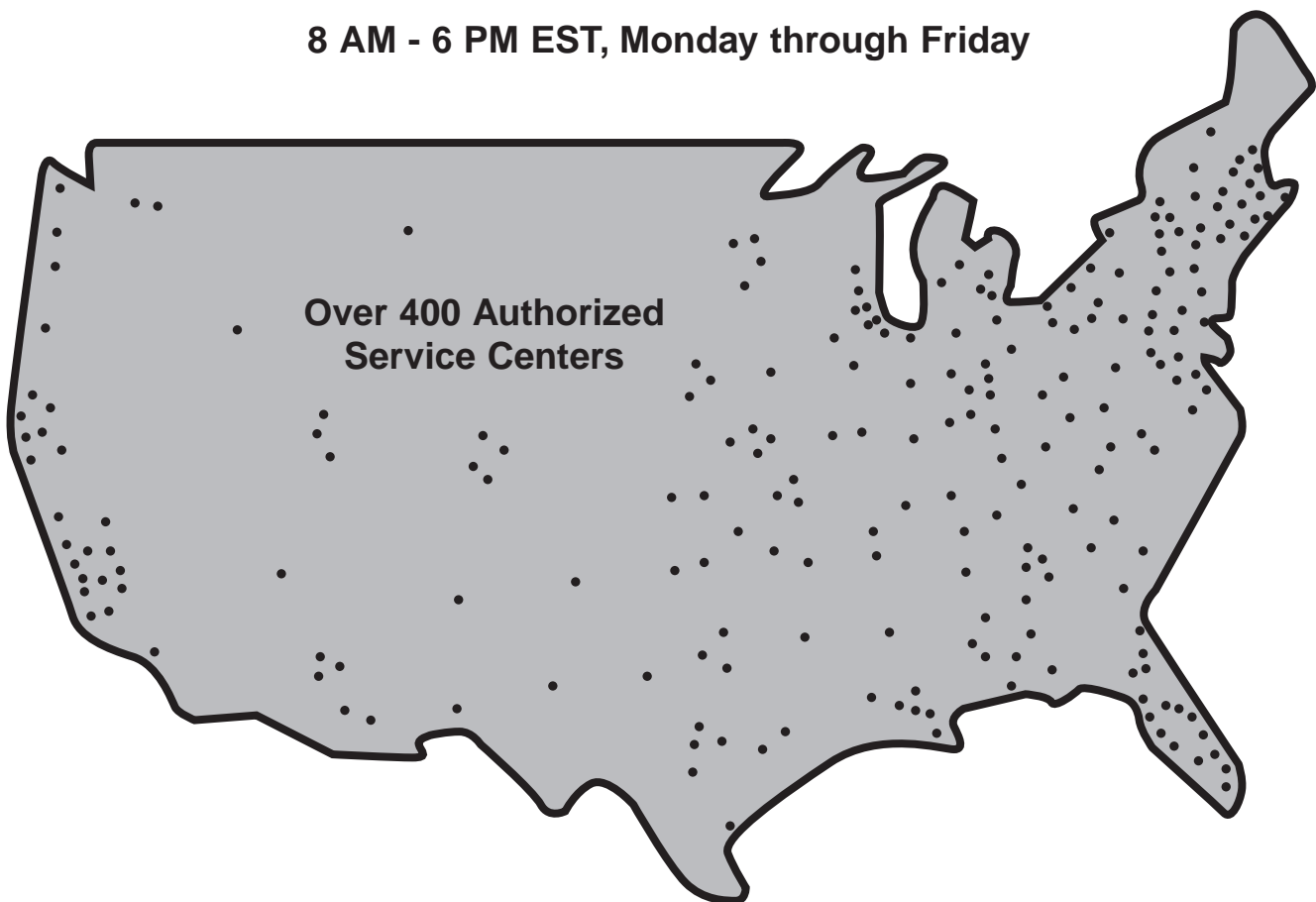
## Do Not Return Your Vehicle to the Store

If you are missing parts or need assistance, please call us toll-free:

**Power Wheels Consumer Affairs**

**1-800-348-0751**

**8 AM - 6 PM EST, Monday through Friday**



Over 400 Authorized  
Service Centers

Or contact your local Power Wheels® Authorized Service Center.

For the location nearest you, refer to the  
Authorized Service Center list in this manual.

Fisher-Price, Inc., a subsidiary of Mattel, Inc., East Aurora, New York 14052 U.S.A.

©1999 Mattel, Inc. All rights reserved. Fisher-Price, Power Wheels, BARBIE and Sport Mobile are trademarks of Mattel, Inc.

## Free Manuals Download Website

<http://myh66.com>

<http://usermanuals.us>

<http://www.somanuals.com>

<http://www.4manuals.cc>

<http://www.manual-lib.com>

<http://www.404manual.com>

<http://www.luxmanual.com>

<http://aubethermostatmanual.com>

Golf course search by state

<http://golfingnear.com>

Email search by domain

<http://emailbydomain.com>

Auto manuals search

<http://auto.somanuals.com>

TV manuals search

<http://tv.somanuals.com>