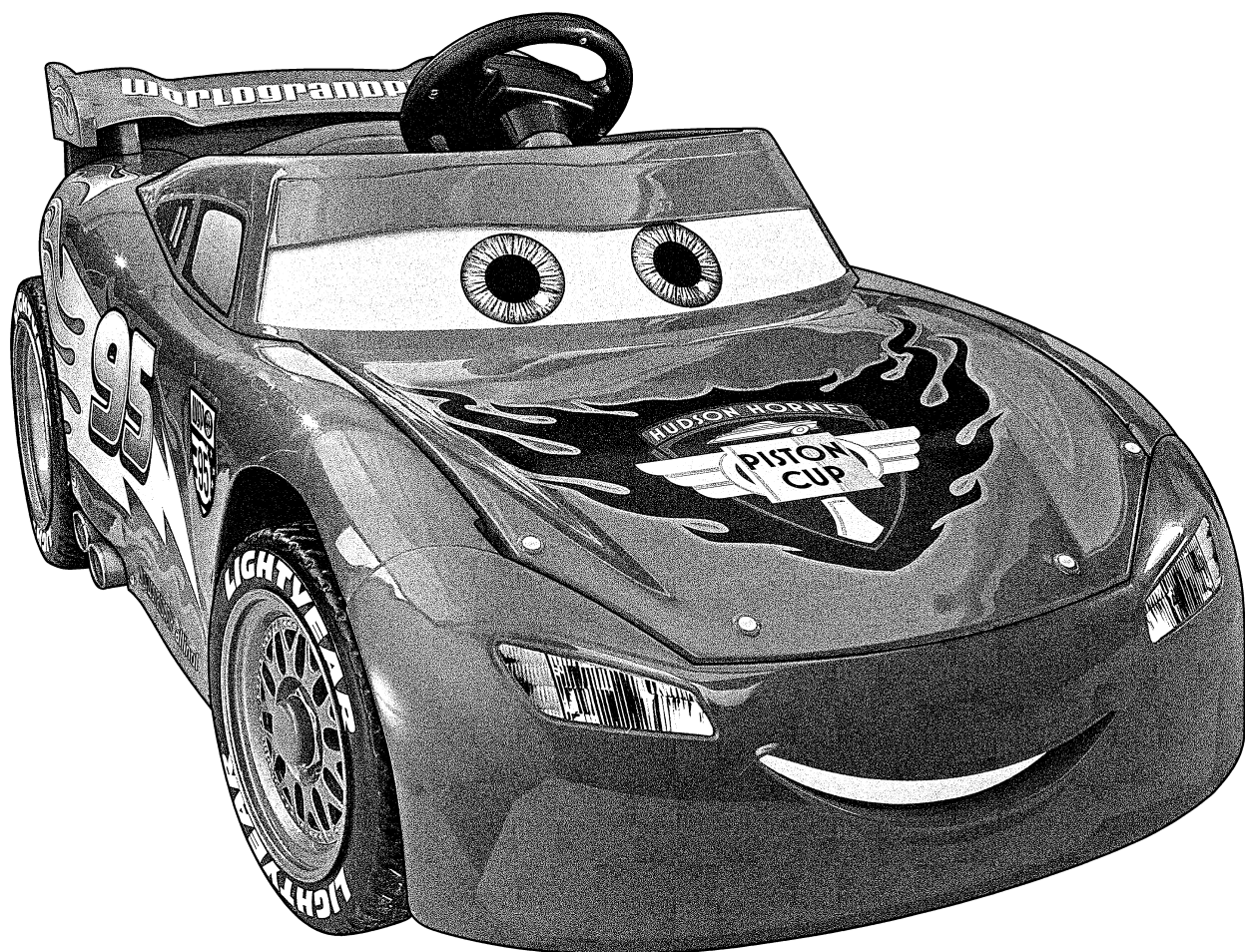




LIGHTNING MCQUEEN

- Please read this manual and save it with your original sales receipt.
- Required tools: Phillips Screwdriver and Slotted Screwdriver (both not included) and Assembly Tool (included).
- Use only with a Power Wheels® 6 Volt Rechargeable Battery and Power Wheels® Super 6 Volt Charger with A-style connector (both included).
- Requires one "AA" (LR6) **alkaline** battery for sound box operation (not included).



Product features may vary
from the picture above.



Owner's Manual with Assembly Instructions

For Model W2604

IMPORTANT INFORMATION

ELECTRICAL HAZARD



WARNING

- Battery can fall out and injure a child if vehicle tips over. Always use battery retainer.
- **PREVENT FIRE**
 - Never modify the electrical system. Alterations could cause a fire resulting in serious injury and could also ruin the electrical system.
 - Use of the wrong type battery or charger could cause a fire or explosion resulting in serious injury.
 - Use of Power Wheels® components in products other than Power Wheels® vehicles could cause overheating, fire or explosion.
- The battery must be handled by adults only. The battery is heavy and contains sulfuric acid (electrolyte). Dropping the battery could result in serious injury.
- Never allow children to charge the battery. Battery charging must be done by adults only. A child could be injured by the electricity involved in charging the battery.
- Read the safety instructions on the battery.
- Examine the battery, charger and their connectors for excessive wear or damage each time you charge the battery. If damage or excessive wear is detected, do not use the charger or the battery until you have replaced the worn or damaged part.
- **HOT** motors. Handle carefully.

RIDING HAZARD



WARNING

- **Prevent Injuries and Deaths**
 - Direct Adult Supervision Required
 - Never Ride at Night.
 - Keep Children Within Safe Riding Areas.
These areas must be:
 - away from swimming pools and other bodies of water to prevent drownings
 - generally level to prevent tipovers
 - away from steps, steep inclines, cars, roads and alleys.
 - Riding Rules
Make sure children know and follow these rules for safe driving and riding.
 - Always sit on the seat.
 - Always wear shoes.
 - Only 1 (one) rider at a time.



CAUTION

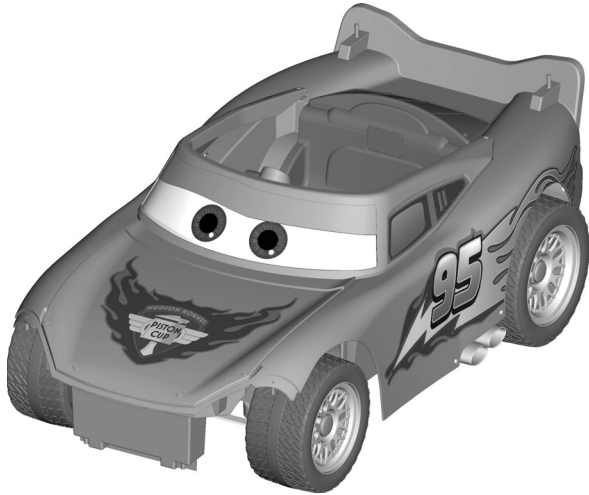
- Use the charger in dry locations only.

IMPORTANT INFORMATION

- Read this manual carefully for important safety information and operating instructions before using your vehicle. Keep this manual for future reference, as it contains important information.
- The vehicle is designed for use on grass, asphalt, and other hard surfaces; on generally level terrain; and by children 3 years of age and older. Do not exceed the maximum weight capacity of 65 lbs (29,5 kg).
- Your new vehicle requires adult assembly. Please set aside 30 minutes for assembly.
- Use this vehicle **ONLY** outdoors. Most interior flooring can be damaged by riding this vehicle indoors. Fisher-Price® will not be responsible for damage to the floor if the vehicle is used indoors.
- You must charge your battery for 18-30 hours **before you use your vehicle for the first time**. We recommend charging your battery before beginning assembly. Please see the Battery Charging section for detailed instructions.
- The battery charger is not a toy.
- Do not short circuit the battery.
- **Adults Note:** Regularly examine the charger for damage to the cord, plug, housing or other parts that may result in the risk of fire, electric shock or injury. In the event of any damage, do not use the charger until the damage has been properly repaired.
- Your Power Wheels® 6 volt battery is equipped with a built-in thermal fuse. The thermal fuse is a self-resetting safety device which automatically “trips” and shuts down operation of the vehicle if the vehicle is overloaded or the driving conditions too severe. Once a fuse has “tripped”, release the button on the steering wheel and wait approximately 25 seconds before operating the vehicle again. To avoid repeated automatic shut-downs, avoid severe driving conditions.
- If a thermal fuse in a battery continually trips under normal driving conditions, please contact your local Power Wheels® Authorized Service Center.
- To prevent damaging the motors and gears, teach your child to stop the vehicle before switching direction.
- If you have any questions about your Power Wheels® vehicle, please call our toll-free service lines at **1-800-348-0751**. Trained customer service representatives are available to take your call in English or French. Habla Español? Si usted tiene alguna pregunta ó necesita asistencia llame gratis **1-800-348-0755** para los Estados Unidos. Tenemos representantes que hablan español para atender su llamada.
- For your convenience, Power Wheels® maintains an **independently owned and operated** Authorized Service Center Network with more than 300 authorized service centers nationwide. Our authorized service centers will repair or replace parts under warranty at no extra charge, and can perform non-warranty repairs for a minimal charge. To find the authorized service center nearest you, please visit us online at **www.powerwheels.com** or call **1-800-348-0751**.
- Please visit us online at **www.powerwheels.com** to register your vehicle.

PARTS

- If you experience a problem with this product, or are missing a part, please call us at **1-800-348-0751**, rather than return this product to the store.
- Please identify all parts before assembly and save all packaging material until assembly is complete to ensure that no parts are discarded.
- Metal parts have been coated with a lubricant to protect them during shipment. Wipe all metal parts with a paper towel to remove any excess lubricant.



Vehicle



Front Bumper



Sound Box



Steering Wheel Cover



Steering Wheel



6 Volt Battery



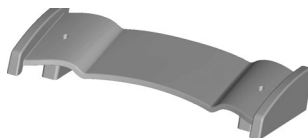
Super 6 Volt Charger



Steering Column

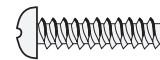


Assembly Tool



Wing

Part not shown: Label Sheet



#8 x 3/4" (1,9 cm) Screw - 10



3/8" (1 cm) - 16 Lock Nut - 2

Fasteners Shown Actual Size

For your convenience, we included extra fasteners!

Note: Tighten and loosen all screws with a Phillips screwdriver. Do not over-tighten.

BATTERY CHARGING

ELECTRICAL HAZARD

WARNING

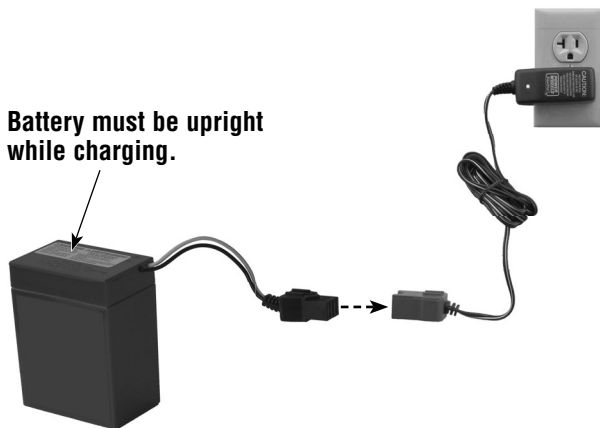
- Battery can fall out and injure a child if vehicle tips over. Always use battery retainer.
- **PREVENT FIRE**
 - Never modify the electrical system. Alterations could cause a fire resulting in serious injury and could also ruin the electrical system.
 - Use of the wrong type battery or charger could cause a fire or explosion resulting in serious injury.
 - Use of Power Wheels® components in products other than Power Wheels® vehicles could cause overheating, fire or explosion.
- The battery must be handled by adults only. The battery is heavy and contains sulfuric acid (electrolyte). Dropping the battery could result in serious injury.
- Never allow children to charge the battery. Battery charging must be done by adults only. A child could be injured by the electricity involved in charging the battery.
- Read the safety instructions on the battery.
- Examine the battery, charger and their connectors for excessive wear or damage each time you charge the battery. If damage or excessive wear is detected, do not use the charger or the battery until you have replaced the worn or damaged part.

CAUTION

Use the charger in dry locations only.

- **Make sure you charge the battery for at least 18 hours using the enclosed Power Wheels® 6 volt charger before operating your vehicle for the first time.** Charge the battery for at least 14 hours after each use of the vehicle. Never charge the battery longer than 30 hours. Failure to follow these instructions may damage your battery and will void your warranty.
- Use only a Power Wheels® Super 6 Volt charger with A-Style connector (120 VAC, 60 Hz with an output of 6 VDC) to charge your Power Wheels® 6 volt battery.

Battery must be upright while charging.



- Plug the battery connector into the charger connector.
- Plug the charger into a standard wall outlet.

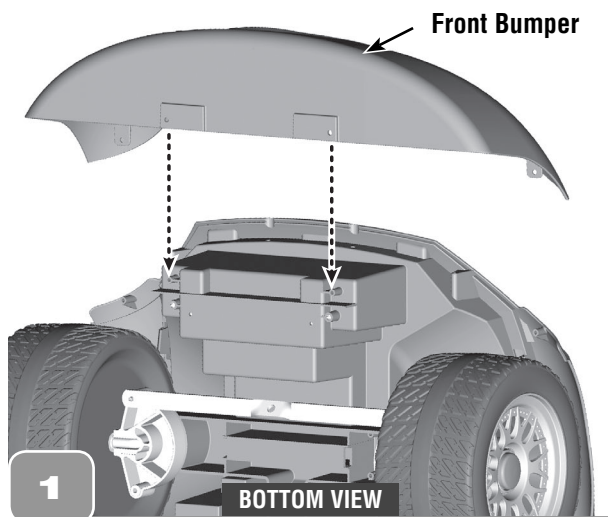
Notes:

- If power flow to the wall outlet is controlled by a switch, make sure the switch is "ON".
- Use the charger only in a wall outlet. Do not plug the charger into a ceiling outlet.
- Once the battery is charged, disconnect the battery connector from the charger connector. Unplug the charger from the wall outlet. Refer to the Battery Installation section for instructions on installing your battery. If your battery is already installed in your vehicle, simply re-connect the motor harness connector to the battery.
- You do not need to remove the battery from your vehicle to recharge it.
- Before charging the battery, examine the battery case for cracks and other damage which may cause sulfuric acid (electrolyte) to leak during the charging process. If damage is detected, do not charge the battery or use it in your vehicle. Battery acid is very corrosive and can cause severe damage to surfaces it contacts.
- Do not place the battery on a surface (such as kitchen counter tops) which could be damaged by the acid contained inside the battery. Take precautions to protect the surface on which you place your battery.
- Charge the battery in a well ventilated area.
- Please see page 12 for Battery Installation instructions.

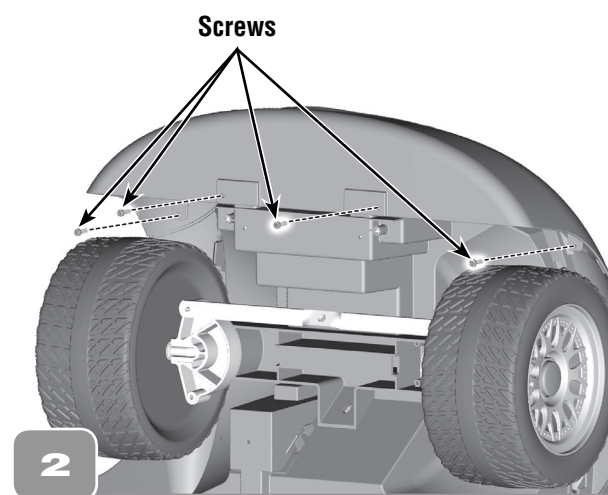
ASSEMBLY

WARNING

Children can be harmed by small parts, sharp edges and sharp points in the vehicle's unassembled state, or by electrical items. Care should be taken in unpacking and assembly of the vehicle. Children should not handle parts, including the battery, or help in assembly of the vehicle.



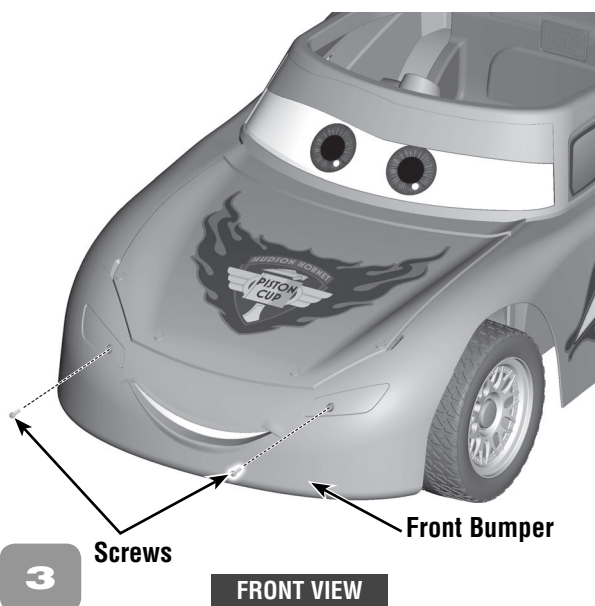
- 1
- Carefully lift the front end of the vehicle.
 - Fit the front bumper to the front of the vehicle.



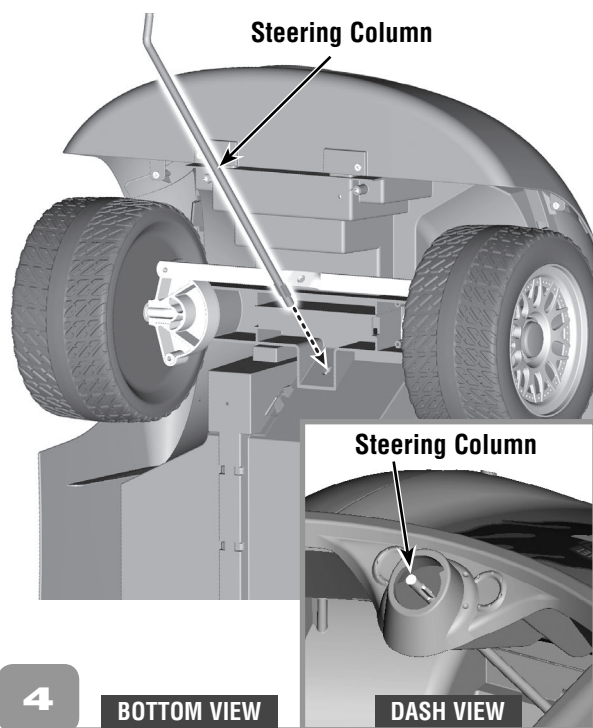
- 2
- Insert four screws into the underside of the bumper and tighten.

Hints:

- You may need to turn the wheels to fit all four screws into the bumper.
- You may need to push and pull on the bumper to align the screw holes.

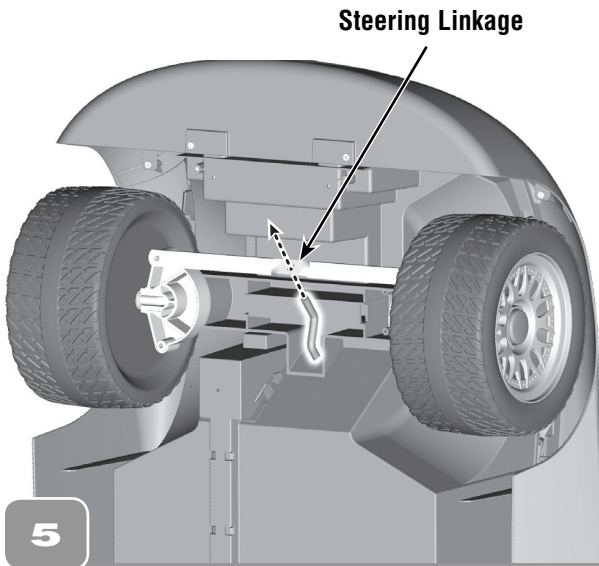


- 3
- Set the vehicle upright.
 - Insert two screws into the front bumper and tighten.

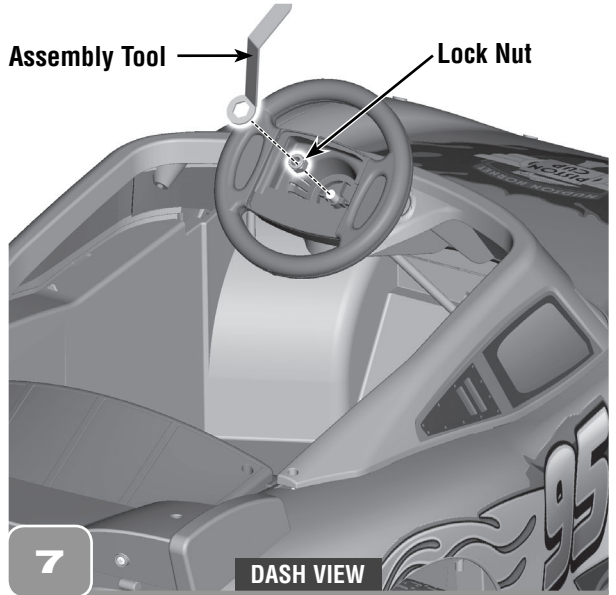
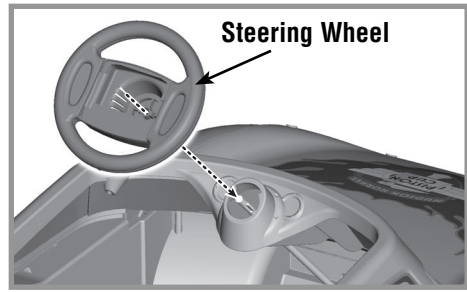


- 4
- Wipe the steering column with a paper towel to remove any excess lubricant.
 - Carefully lift the front end of the vehicle.
 - Insert the straight end of the steering column through the slot in the vehicle and out through the large hole in the center of the dash.
 - Be sure the steering column comes through the hole in the dash.

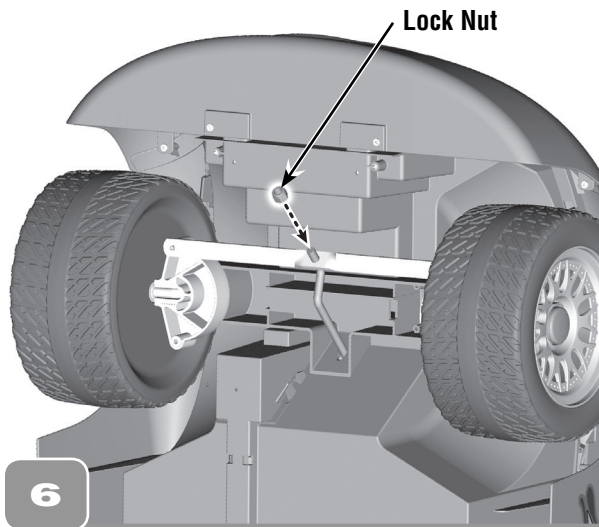
ASSEMBLY



- Fit the curved end of the steering column through the hole in the steering linkage.

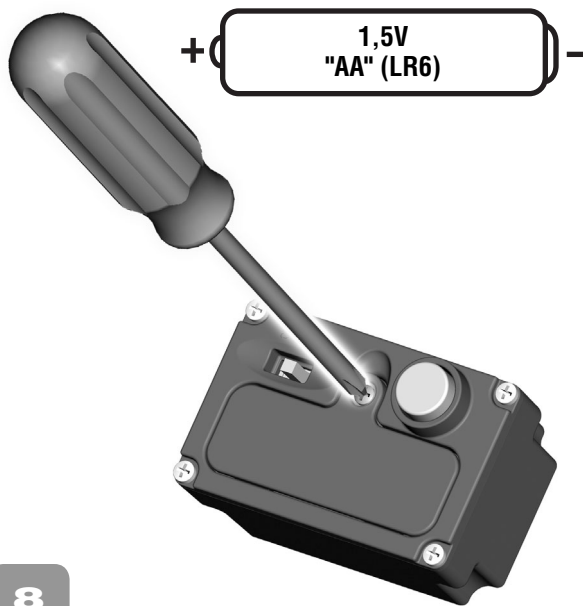


- Hold the steering column in place and gently lower the vehicle.
- While supporting the steering column, fit the steering wheel onto the steering column.
- Place the lock nut (**rounded side out**) onto the end of the steering column.
- Tighten the lock nut firmly using of the assembly tool.



- Place the lock nut (**rounded side out**) onto the end of the steering column.
- Tighten the lock nut firmly using the assembly tool.

ASSEMBLY



8

- Loosen the screw in the sound box battery compartment door with a Phillips screwdriver.
- Remove the door.
- Insert one "AA" (LR6) **alkaline** battery as indicated inside the battery compartment.

Hint: We recommend using an **alkaline** battery for longer battery life.

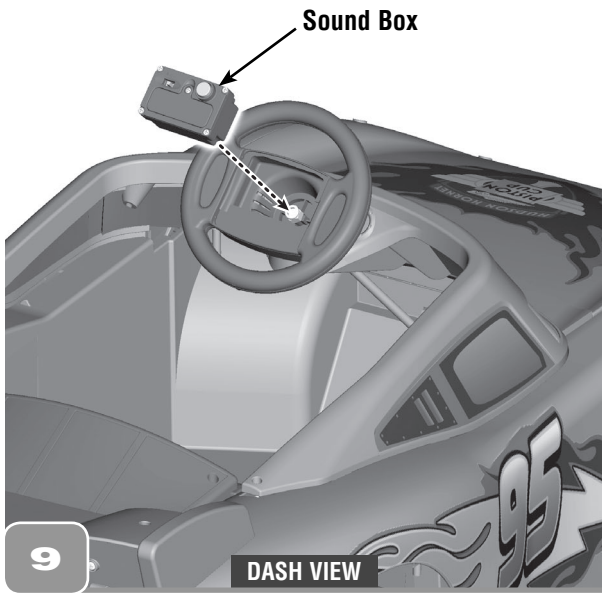
- If this toy begins to operate erratically you may need to reset the electronics. Remove the battery and reinsert it.
- Replace the battery compartment door and tighten the screw with a Phillips screwdriver. Do not over-tighten.

BATTERY SAFETY INFORMATION

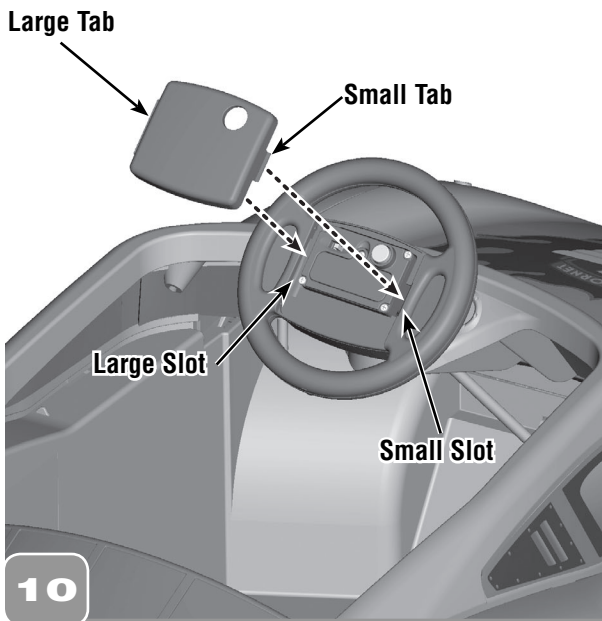
In exceptional circumstances, batteries may leak fluids that can cause a chemical burn injury or ruin your product. To avoid battery leakage:

- Do not mix old and new batteries or batteries of different types: alkaline, standard (carbon-zinc) or rechargeable (nickel-cadmium).
- Insert batteries as indicated inside the battery compartment.
- Remove batteries during long periods of non-use. Always remove exhausted batteries from the product. Dispose of batteries safely. Do not dispose of product in a fire. The batteries may explode or leak.
- Never short-circuit the battery terminals.
- Use only batteries of the same or equivalent type, as recommended.
- Do not charge non-rechargeable batteries.
- Remove rechargeable batteries from the product before charging.
- If removable, rechargeable batteries are used, they are only to be charged under adult supervision.

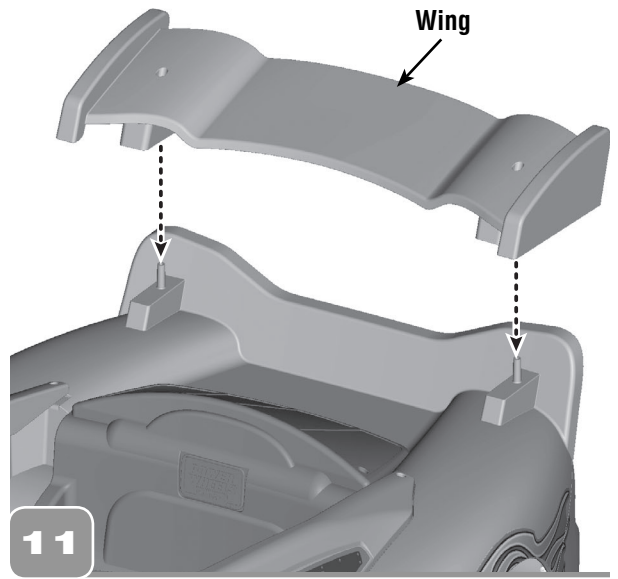
ASSEMBLY



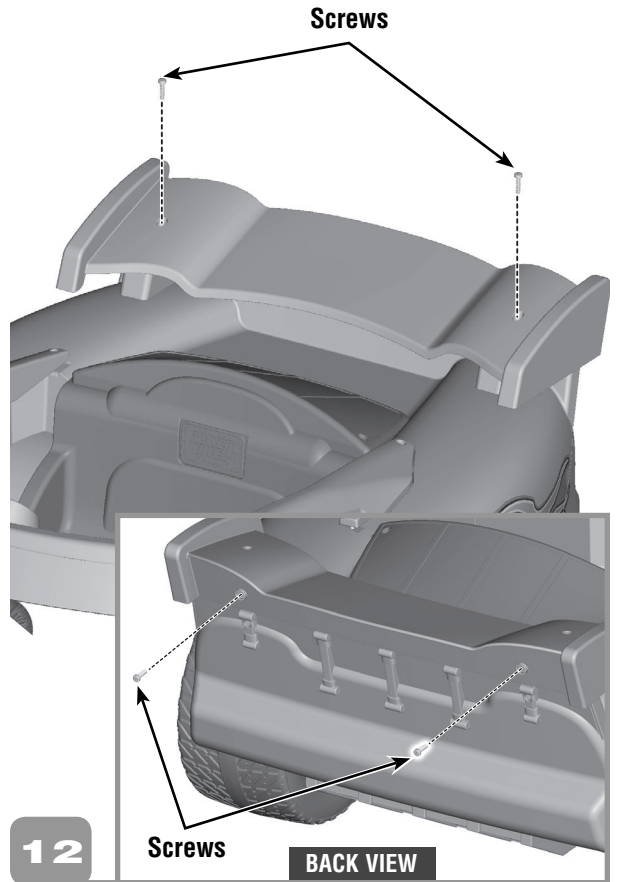
- Fit the sound box into the center of the steering wheel. Make sure the buttons on the sound box are upright.



- Fit the large tab on the steering wheel cover into the large slot in the steering wheel.
- Insert and "snap" the small tab on the steering wheel cover into the small slot in the steering wheel.



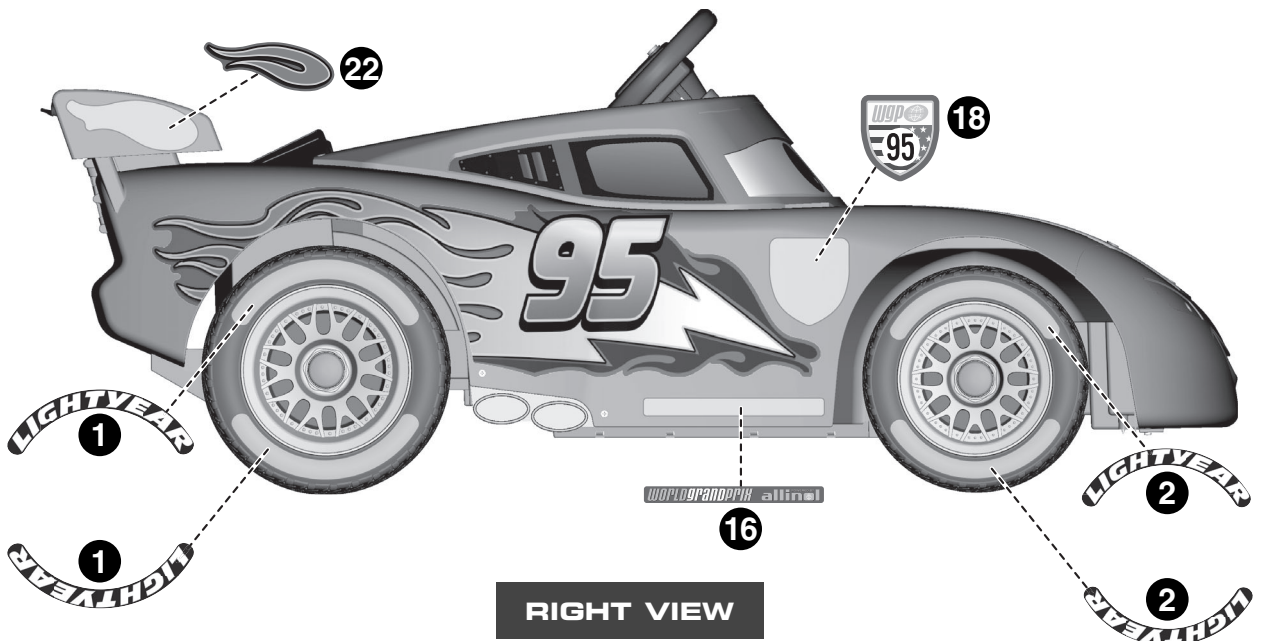
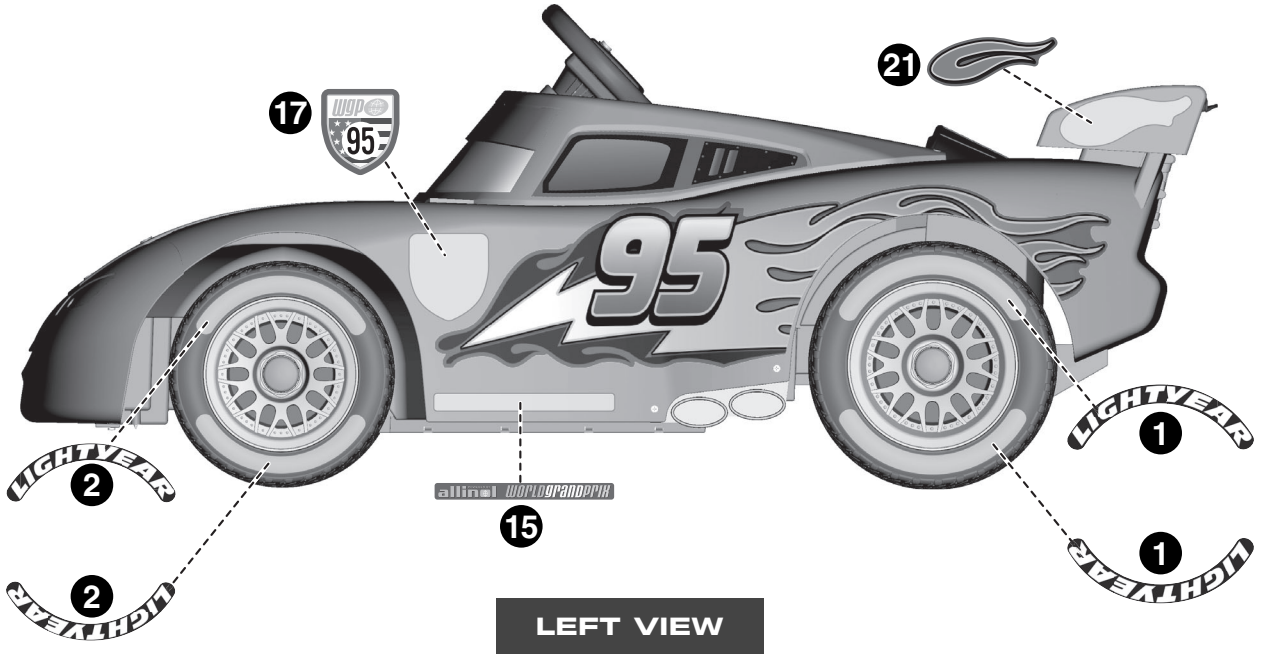
- Fit the wing onto the back of the vehicle.



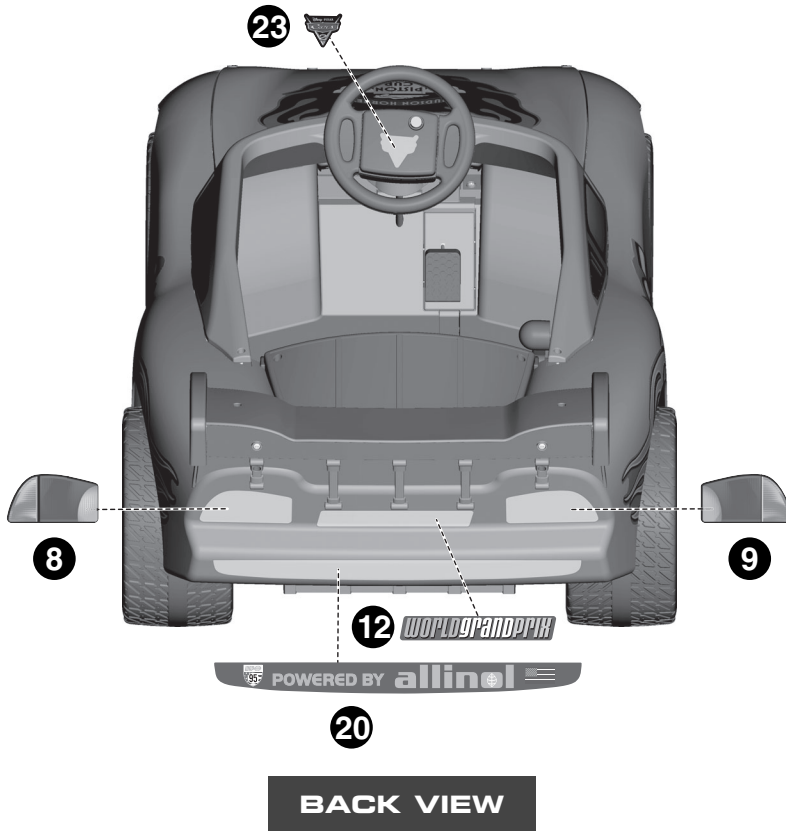
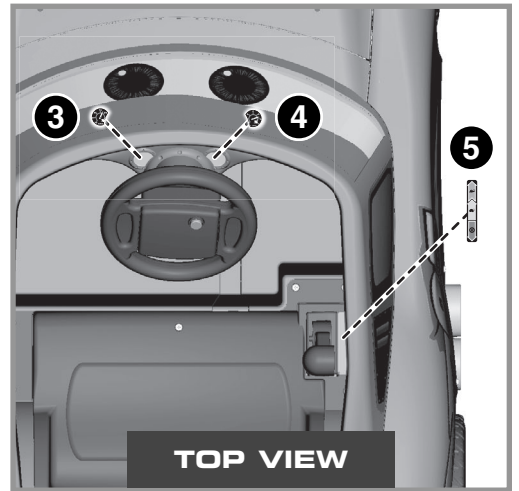
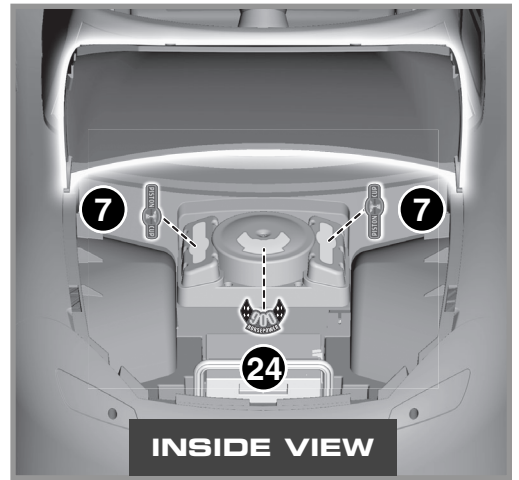
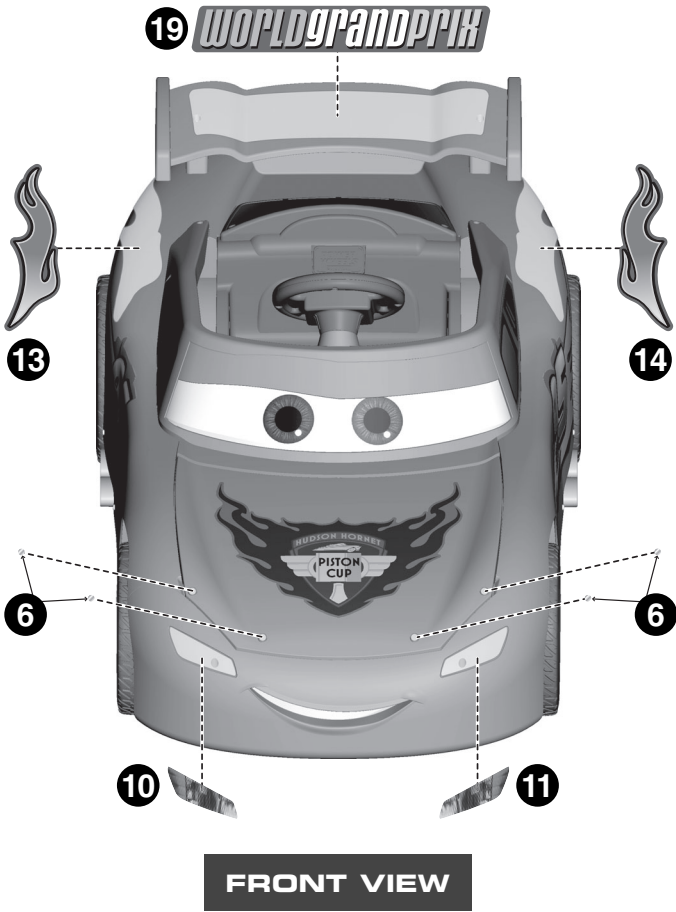
- Insert two screws into the top of the wing and tighten.
- Insert two screws into the back edge of the wing and tighten.

DECORATION

- Wipe the vehicle with a clean, dry cloth to remove any oils before applying labels.
- Apply labels exactly as shown in the illustrations. For best results, avoid repositioning the label after it has been applied.
- Starting at the center of a label rub firmly with a dry cloth, and smooth towards the outer edges to remove air bubbles.

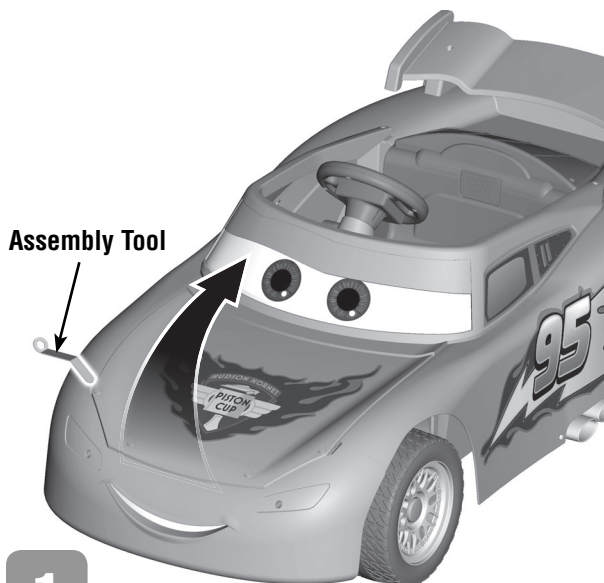


DECORATION

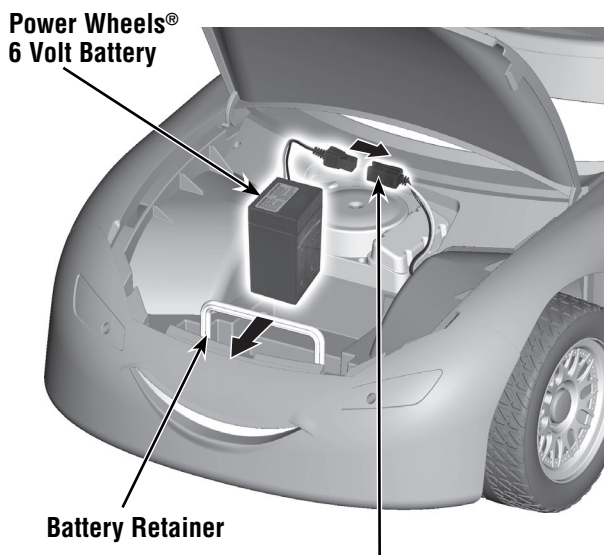


BATTERY INSTALLATION

IMPORTANT! Use only a Power Wheels® 6 volt rechargeable battery. Use of any other battery will damage your vehicle.



- Insert the end of the assembly tool or a coin into the slot on the side of the hood.
- Use the tool to lift the hood and access the battery compartment.



- Lift and pull the battery retainer forward.
- Plug the motor harness connector into the battery.



- Place the battery in the battery compartment and release the battery retainer. Make sure the battery retainer slides over the top of the battery.
- Close the hood and fit the tabs on the hood into the slots in the vehicle.
- Press down to **"snap"** the hood in place.

BATTERY CARE

If a battery leak develops, avoid contact with the leaking acid and place the damaged battery in a plastic bag. See next section for proper disposal.

If acid comes in contact with skin or eyes, flush with cool water for at least 15 minutes and call a physician.

If acid is internally ingested, give water, milk of magnesia or egg whites immediately. Never give emetics or induce vomiting. Call a physician.

- Do not allow the battery to run down completely before charging.
- Charge the battery before storing the vehicle, and at least once per month, even if the vehicle has not been used.
- Charge the battery after each use, regardless of how long the vehicle was used.
- Leaving the battery in a discharged condition will ruin it.
- Always remove an exhausted battery from the vehicle. Battery leakage and corrosion can damage the vehicle.
- Do not store the battery in temperatures above 75° F or below -10° F.

BATTERY DISPOSAL



- Your Power Wheels® battery is a non-spillable, sealed lead-acid battery. It must be recycled or disposed of in an environmentally sound manner.
- Do not dispose of a lead-acid battery in a fire. The battery may explode or leak.
- Do not dispose of a lead-acid battery in your regular, household trash. The incineration, landfilling or mixing of sealed lead-acid batteries with household trash is prohibited by law in most areas.
- Protect the environment by not disposing of this product with household waste (2002/96/EC). Check your local authority for recycling advice and facilities.
- Return an exhausted battery to a federal or state approved lead-acid battery recycler, such as a Power Wheels® authorized service center or a local seller of automotive batteries. For the authorized service center location nearest to you, please visit us on-line at www.powerwheels.com or call **1-800-348-0751**. Contact your local waste management officials for other information regarding the environmentally sound collection, recycling and disposal of lead-acid batteries. If you live in the State of Florida or the State of Minnesota, it is prohibited by law for anyone to throw away lead-acid batteries in the municipal waste stream.

VEHICLE CARE

- Check all screws and their protective coverings regularly and tighten as required. Check plastic parts on a regular basis for cracks or broken pieces.
- During snowy or rainy weather, the vehicle should be stored inside or under a protective cover.
- Avoid operating the vehicle in wet or snowy conditions, and do not spray the vehicle with a hose. Water or moisture in the motors or electrical switches can cause them to corrode, and could cause switch or motor failure.
- Avoid operating the vehicle on sand, loose dirt or gravel. Sand, loose dirt or gravel in the motors or electrical switches can cause them to jam, and could cause switch or motor failure.
- The vehicle can be wiped down with a soft, dry cloth. For a shiny finish, you can wipe plastic parts with a non-wax furniture polish applied to a soft cloth. Do not use automotive wax. Do not use soap and water or spray the vehicle with a hose.
- To ensure your vehicle stays in good operating order, we recommend you periodically have your vehicle checked by a Power Wheels® authorized service center.

SAFE DRIVING RULES

RIDING HAZARD

WARNING

• Prevent Injuries and Deaths

- Direct Adult Supervision Required
- Never Ride at Night.
- Keep Children Within Safe Riding Areas.

These areas must be:

- away from swimming pools and other bodies of water to prevent drownings
- generally level to prevent tipovers
- away from steps, steep inclines, cars, roads and alleys.

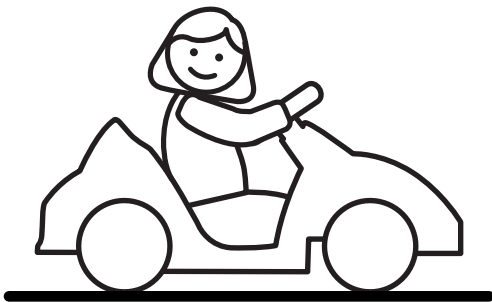
• Riding Rules

Make sure children know and follow these rules for safe driving and riding.

- Always sit on the seat.
- Always wear shoes.
- Only 1 (one) rider at a time.

Before children use this vehicle, an adult should carefully evaluate the driving area as well as the child's skill level and ability to drive the vehicle safely. Teach appropriate safety rules to your child before allowing operation of this vehicle. These rules should also be reviewed with other playmates who want to drive the vehicle.

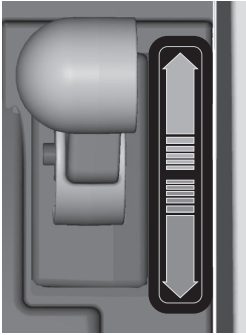
- A child who is not sitting on the seat could fall off, cause a tip over or block the driver's view.
- Only operate the vehicle in the daytime in a well-lit area.
- Driving near steep inclines can cause:
 - The vehicle to gain unsafe speed, even if the pedal is released to stop.
 - The vehicle to tilt and tip over
 - The wheels to lose traction, causing the vehicle to slip.
 - The vehicle could roll backwards at an unsafe speed.
- Never put anything near any moving parts. Rotating parts, such as motors, gear boxes and wheels, can snag fingers, hair, etc., causing serious injury.
- Do not allow operation of the vehicle when it is on its side or in an upside-down position.
- Do not operate the vehicle near flammable vapors (gasoline, paint thinner, acetone, liquid wax, etc.). The vehicle's electrical switches, like most electrical switches, emit an internal spark when first turned on or turned off, which could cause an explosion or fire.
- To prevent unsupervised use of the vehicle, disconnect the motor harness from the battery when the vehicle is not in use.



Use vehicle on generally level ground ONLY!

VEHICLE OPERATION

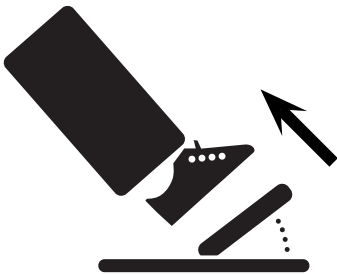
- Help your child practice steering to learn how far and how quickly to turn the steering wheel when driving, and automatically knows how to stop.



- Make sure the shifter is in the forward position.
- Press down on the foot pedal. The vehicle goes forward at a maximum of 3,5 mph (5,6 km/h).

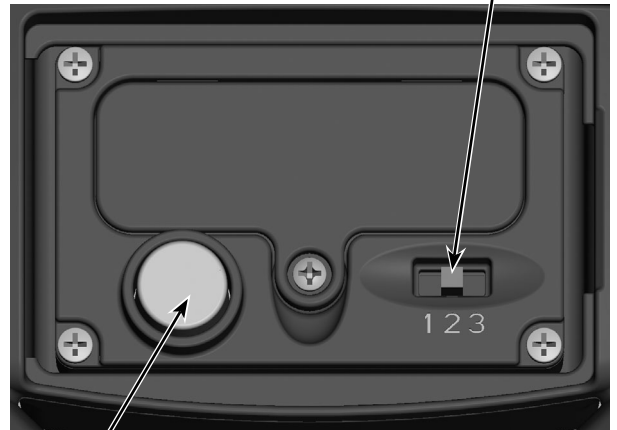
IMPORTANT! To avoid damaging the motors and gears, stop the vehicle before shifting from forward to reverse.

- Once your child is comfortable operating the vehicle in the forward mode, introduce reverse.
- Make sure the shifter is in the reverse position.
- Press down on the foot pedal.



- Your vehicle has a patented, electronic braking system that automatically stops the vehicle when your child's foot lifts from the pedal.

Sound and Language Switch



Sound Button

- Fit a slotted screwdriver into the slot on the steering wheel.
- Carefully remove the steering wheel cover from the steering wheel.
- Slide the language switch to: **1** for engine sounds; **2** for Spanish and engine sounds; or **3** for English and engine sounds.
- Carefully replace the steering wheel cover and push to snap in place.
- Press the sound button for sounds and music.

LIMITED WARRANTY

Bumper-to-Bumper* Limited Warranty

***One year limited warranty from the date of purchase on the Power Wheels® vehicle.**

Six month limited warranty on the 6 volt battery.

For the original purchaser, this one year limited warranty covers the Power Wheels® ride-on vehicle (purchased from Power Wheels®) against defects in materials and workmanship. The six month limited warranty applies only to the 6 volt battery included by Power Wheels® with the original purchase of the vehicle.

This warranty covers normal use and does not cover the Power Wheels® vehicle or battery if damaged by unreasonable use, neglect, accident, abuse, misuse, improper service or other causes not arising out of defects in materials or workmanship. Evidence of any attempt at consumer repair will void this warranty. THIS WARRANTY DOES NOT COVER, AND IS INTENDED TO EXCLUDE, ANY LIABILITY ON THE PART OF POWER WHEELS®, WHETHER UNDER THIS WARRANTY OR IMPLIED BY LAW FOR ANY INDIRECT OR CONSEQUENTIAL DAMAGES FOR BREACH OF WARRANTY. SOME STATES DO NOT ALLOW THE EXCLUSION OR LIMITATION SO THIS LIMITATION MAY NOT APPLY TO YOU.

Should you need service or assistance with your vehicle during the warranty period, do not return the vehicle to the store. Power Wheels® has provided a nationwide network of authorized service centers. If there is not an authorized service center in your area, please visit us on-line at www.powerwheels.com or call Consumer Relations for information, **1-800-348-0751**.

This warranty gives you specific legal rights, and you may also have other rights which may vary from state to state.

PLEASE SAVE YOUR ORIGINAL SALES RECEIPT.

FCC STATEMENT

(United States Only)

This equipment has been tested and found to comply with the limits for a Class B digital device, pursuant to Part 15 of the FCC Rules. These limits are designed to provide reasonable protection against harmful interference in a residential installation. This equipment generates, uses and can radiate radio frequency energy and, if not installed and used in accordance with the instructions, may cause harmful interference to radio communications. However, there is no guarantee that interference will not occur in a particular installation. If this equipment does cause harmful interference to radio or television reception, which can be determined by turning the equipment off and on, the user is encouraged to try to correct the interference by one or more of the following measures:

- Reorient or relocate the receiving antenna.
- Increase the separation between the equipment and receiver.
- Connect the equipment into an outlet on a circuit different from that to which the receiver is connected.
- Consult the dealer or an experienced radio/TV technician for help.

Note: Changes or modifications not expressly approved by the manufacturer responsible for compliance could void the user's authority to operate the equipment.

This device complies with Part 15 of the FCC Rules. Operation is subject to the following two conditions: (1) this device may not cause harmful interference and (2) this device must accept any interference received, including interference that may cause undesired operation.

ICES-003

This Class B digital apparatus complies with Canadian ICES-003. Operation is subject to the following two conditions: (1) this device may not cause harmful interference and (2) this device must accept any interference received, including interference that may cause undesired operation.

NMB-003

Cet appareil numérique de la classe B est conforme à la norme NMB-003 du Canada. L'utilisation de ce dispositif est autorisée seulement aux conditions suivantes: (1) il ne doit pas produire de brouillage et (2) l'utilisateur du dispositif doit être prêt à accepter tout brouillage radioélectrique reçu, même si ce brouillage est susceptible de compromettre le fonctionnement du dispositif.

PROBLEMS AND SOLUTIONS GUIDE

IMPORTANT! If you experience a problem with your vehicle, first check the Problems and Solutions Guide below. If you still experience a problem, please contact Power Wheels® Consumer Relations, toll-free at **1-800-348-0751**. Or, contact your local Power Wheels® authorized service center. For the location nearest you, please visit us online at www.powerwheels.com, or call **1-800-348-0751**.

PROBLEM	POSSIBLE CAUSE	SOLUTION
Vehicle does not run	Undercharged battery	Charge the battery. A new battery should have been charged for at least 18 hours before using the vehicle for the first time. After first-time use, recharge the battery for at least 14 hours after each use. Never charge the battery longer than 30 hours.
		Check all connectors. Make sure the charger connector is plugged into the battery, and that the charger is plugged into the wall.
		Make sure power flow to the wall outlet is "ON".
	Charger is not working	There is no sure way to tell if your charger is working unless you have a volt meter. If you suspect there is a problem with your charger, contact your local Power Wheels® authorized service center. They can test your charger for you.
	Tripped thermal fuse	The built-in thermal fuse may "trip" and shut down operation of the vehicle if the vehicle is overloaded or the driving conditions too severe. Once a fuse has "tripped," remove your foot from the pedal and wait approximately 25 seconds before operating the vehicle again. To avoid repeated automatic shutdowns, do not overload the vehicle by exceeding the 65 lbs (29,5 kg) maximum weight capacity or by towing anything behind the vehicle. Do not drive up hills or run into fixed objects, which can cause the wheels to stop spinning while power is still being supplied to the motors. If a thermal fuse continually trips, contact your local Power Wheels® authorized service center.
	Loose wire or loose connectors	Check all wires and connectors. Make sure the motor harness connector is plugged into the battery, and that there are no loose wires around the motors.
	Dead battery	If your battery is old or if you have not followed Battery Care instructions, your battery may be dead. If you are unsure whether or not the battery is dead, you can have it tested at your local Power Wheels® authorized service center.
	Electrical switch damage	The electrical switches can become corroded due to exposure to water or moisture, or can jam due to loose dirt, sand or gravel. Contact your local Power Wheels® authorized service center for diagnosis and repair.
Motor damage	Contact your local Power Wheels® authorized service center for diagnosis and repair.	
Vehicle was running but suddenly stopped	Loose wire or loose connectors	Check all wires and connectors. Make sure the motor harness connector is plugged into the battery, and that there are no loose wires around the motors.
	Tripped thermal fuse	The built-in thermal fuse may "trip" and shut down operation of the vehicle if the vehicle is overloaded or the driving conditions too severe. Once a fuse has "tripped," remove your foot from the pedal and wait approximately 25 seconds before operating the vehicle again. To avoid repeated automatic shutdowns, do not overload the vehicle by exceeding the 65 lbs (29,5 kg) maximum weight capacity or by towing anything behind the vehicle. Do not drive up hills or run into fixed objects, which can cause the wheels to stop spinning while power is still being supplied to the motors. If a thermal fuse continually trips, contact your local Power Wheels® authorized service center.

PROBLEMS AND SOLUTIONS GUIDE

PROBLEM	POSSIBLE CAUSE	SOLUTION
Short run time (Less than 1 - 3 hours per charge)	Undercharged battery	Charge the battery. A new battery should have been charged for at least 18 hours before using the vehicle for the first time. After first-time use, recharge the battery for at least 14 hours after each use. Never charge the battery longer than 30 hours.
		Check all wires and connectors. Make sure the charger connector is plugged into the battery, and that the charger is plugged into the wall.
		Make sure power flow to the wall outlet is "ON".
	Overcharged battery	Do not charge the battery longer than 30 hours. If you suspect that your battery is damaged as a result of overcharging, contact your local Power Wheels® authorized service center. They can test your battery for you.
Battery is old and will not accept full charge		Even with proper care, a rechargeable battery does not last forever. Average battery life is 1 to 3 years depending on vehicle use and use conditions. Replace the battery with a new Power Wheels® 6 volt rechargeable battery. Do not substitute parts.
	Tripped thermal fuse	The built-in thermal fuse may "trip" and shut down operation of the vehicle if the vehicle is overloaded or the driving conditions too severe. Once a fuse has "tripped," remove your foot from the pedal and wait approximately 25 seconds before operating the vehicle again. To avoid repeated automatic shutdowns, do not overload the vehicle by exceeding the 65 lbs (29,5 kg) maximum weight capacity or by towing anything behind the vehicle. Do not drive up hills or run into fixed objects, which can cause the wheels to stop spinning while power is still being supplied to the motors. If a thermal fuse continually trips, contact your local Power Wheels® authorized service center.
Vehicle runs sluggishly	Undercharged battery	Charge the battery. A new battery should have been charged for at least 18 hours before using the vehicle for the first time. After first-time use, recharge the battery for at least 14 hours after each use. Never charge the battery longer than 30 hours.
		Check all connectors. Make sure the charger connector is plugged into the battery, and that the charger is plugged into the wall.
		Make sure power flow to the wall outlet is "ON".
	Battery needs charging	Be sure to charge the battery after each use.
	Battery is old and will not accept full charge	Even with proper care, a rechargeable battery does not last forever. Average battery life is 1 to 3 years depending on the vehicle use and use conditions. Replace the battery with a new Power Wheels® 6 volt rechargeable battery. Do not substitute parts.
	Vehicle is overloaded	Make sure you do not overload the vehicle by allowing more than one rider at one time, by exceeding the 65 lb. maximum weight capacity, or by towing objects behind the vehicle.
Driving conditions are too stressful	Use only on generally level ground.	

PROBLEMS AND SOLUTIONS GUIDE

PROBLEM	POSSIBLE CAUSE	SOLUTION
When the foot pedal is pressed one rear wheel spins	Operation of vehicle in low speed	It is possible that only one rear wheel may spin when both rear wheels are raised off the ground and the vehicle is in low speed. This does not necessarily indicate a problem. Check for proper operation of the drive system by raising the rear wheels off the ground and pressing the foot pedal. If only one rear wheel spins, carefully press your hand on the spinning wheel to slow it down. The other rear wheel should begin to spin. If the other rear wheel does not begin to spin, there may be a problem with the vehicle. Contact your local Power Wheels® authorized service center for diagnosis and repair.
Sometimes the vehicle doesn't run, but other times it does	Loose wire or connector	Check all wires around the motors and all connectors to make sure they are tight.
	Motor or electrical switch damage	Contact your local Power Wheels® authorized service center for diagnosis and repair.
When the go foot pedal is pressed, the vehicle won't run without a push	Loose wire or connector	Check all wires around the motors and all connectors to make sure they are tight.
	"Dead Spot" on motor	Contact your local Power Wheels® authorized service center for diagnosis and repair.
Battery's thermal fuse constantly "trips", but the vehicle is not overloaded nor the driving conditions too severe	Damaged battery	Contact your local Power Wheels® authorized service center for diagnosis and repair.
	Child is switching between FORWARD and REVERSE without stopping	Teach your child to stop the vehicle before switching direction.
Loud clacking or grinding noise from a motor-gearbox	Broken gears	Contact your local Power Wheels® authorized service center for diagnosis and repair.
Charger gets warm during use	It is normal for some chargers to get warm during use and is not reason for concern.	No action required.
		If your charger does not get warm during use, it does not mean that it is not working properly.
Battery makes a sizzling or gurgling noise when charging	It is normal for some batteries to make noise and swell slightly while charging and is not reason for concern.	No action required.
		If your battery does not make noise or swell slightly during charging, it does not mean that it is not accepting the charge.



**Before first-time use,
you must charge the battery
18 hours!**

Charge the battery immediately after each use.

Charge the battery once a month, even if the vehicle is not used or stored.

**Do not return
your vehicle to the store!**

We're a toll-free phone call away, and we can help.
If you are missing parts or need assistance, please call:

1-800-348-0751

Or contact your local **independently owned and operated**
Power Wheels® Authorized Service Center.

For the location nearest you, visit us on-line at **www.powerwheels.com**.

©Disney/Pixar
www.disney.com/cars

Fisher-Price, Inc., a subsidiary of Mattel, Inc., East Aurora, New York 14052 U.S.A.
©2011 Mattel, Inc. All Rights Reserved. ® and ™ designate U.S. trademarks of Mattel, Inc., unless otherwise indicated.

Free Manuals Download Website

<http://myh66.com>

<http://usermanuals.us>

<http://www.somanuals.com>

<http://www.4manuals.cc>

<http://www.manual-lib.com>

<http://www.404manual.com>

<http://www.luxmanual.com>

<http://aubethermostatmanual.com>

Golf course search by state

<http://golfingnear.com>

Email search by domain

<http://emailbydomain.com>

Auto manuals search

<http://auto.somanuals.com>

TV manuals search

<http://tv.somanuals.com>