



Step & Play Piano



Product features may vary from picture above.

Model Number: 79029

Please read these instructions before assembly and use of this product.

Keep this instruction sheet for future reference, as it contains important information.

With seat in place, for use by children who have the neck control to hold their head upright.

To prevent falls, never use with an active child who may be able to climb out of the seat.

Adult assembly is required.

This product requires three "C" (LR14) **alkaline** batteries (not included).

Tool needed for battery installation: Phillips Screwdriver (not included).

Fisher-Price[®]

www.fisher-price.com



WARNING

To prevent serious injury or death:

- When seat is in place, use only for a child who is able to hold head upright unassisted and who is not able to walk.
- Never leave child unattended. Always keep child in view while in product.
- Never use near steps or pools, hot surfaces or areas that may be hazardous to a child. Product may move during use.
- To avoid tip over, place product on a flat, level surface.

Occasionally a consumer may experience a problem with one of our products. If this should happen, please call us toll-free, rather than return this product to the store. Usually, we can solve the problem over the telephone or send you replacement parts.

Please call Fisher-Price® Consumer Relations, toll-free at **1-800-432-5437**, 8 AM - 6 PM EST Monday through Friday. Hearing-impaired consumers using TTY/TDD equipment, please call 1-800-382-7470.

Or, write to:

Fisher-Price® Consumer Relations
636 Girard Avenue
East Aurora, New York 14052

For other countries outside the United States:

Canada: call 1-800-567-7724, or write to: Mattel Canada Inc., 6155 Freemont Blvd., Mississauga, Ontario L5R 3W2.

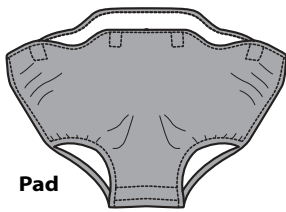
Great Britain: telephone 01628 500302.

Australia: Mattel Australia Pty. Ltd., 658 Church Street, Locked Bag #870, Richmond, Victoria 3121 Australia. Consumer Advisory Service 1300 135 312.

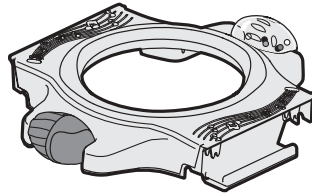
New Zealand: 16-18 William Pickering Drive, Albany 1331, Auckland.

Asia: Mattel East Asia Ltd, Room 1106, South Tower, World Finance Centre, Harbour City, Tsimshatsui, HK, China.

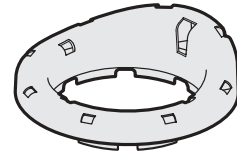
Parts



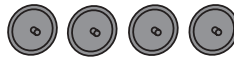
Pad



Seat Base



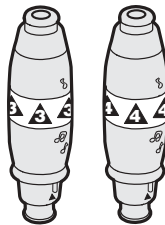
Seat Ring



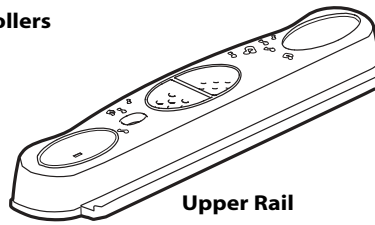
4 Rollers



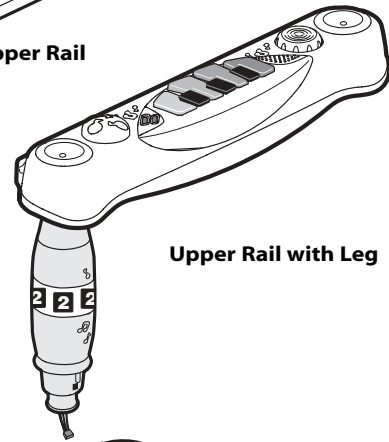
Leg with
● Detail



2 Legs with
▲ Detail



Upper Rail



Upper Rail with Leg



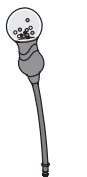
Bell



Mirror



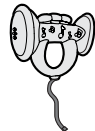
Tray



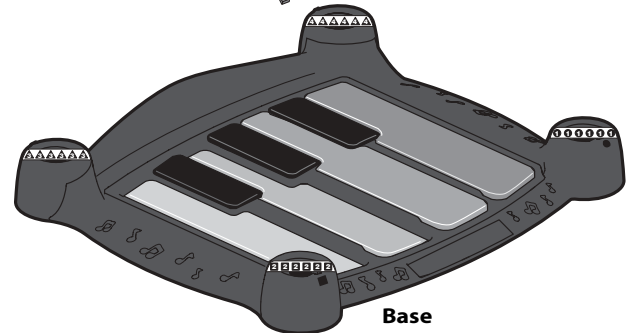
Maraca



Tambourine



Trumpet

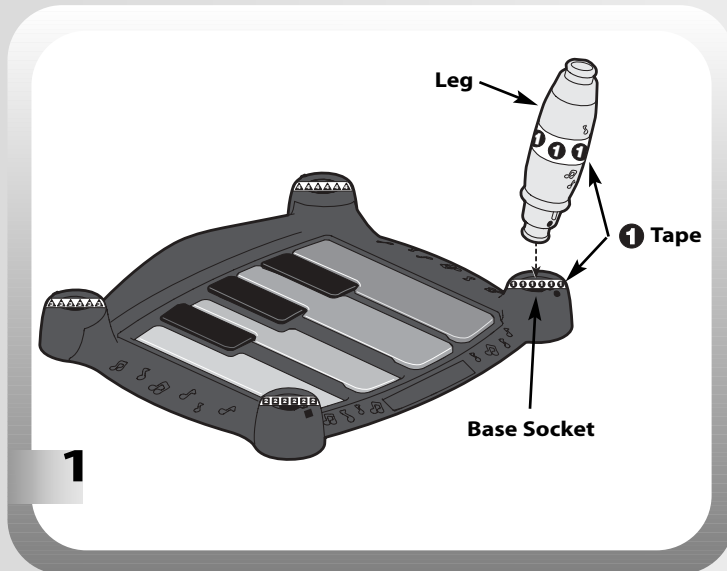


Base

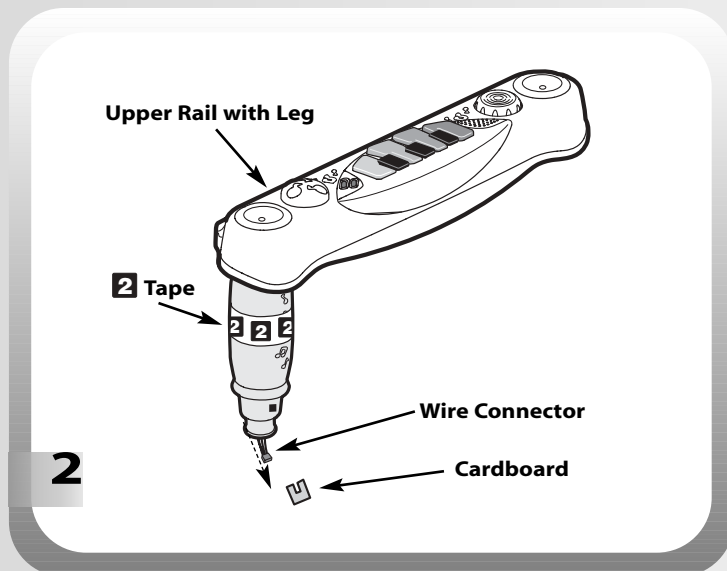
Note: The legs and base sockets have been coded with tape. Do not remove the tape until you have completed assembly of this product.

Assembly

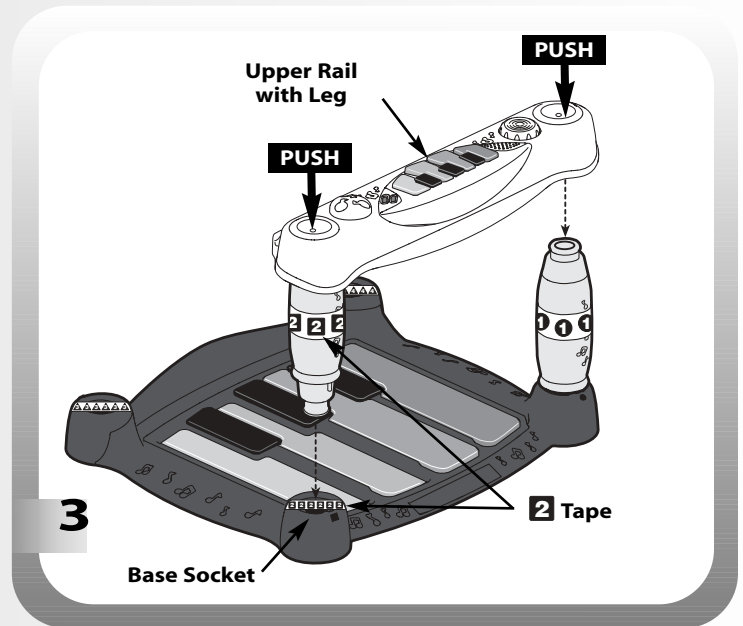
IMPORTANT! Before each use or assembly, inspect this product for damaged hardware, loose joints, missing parts or sharp edges. **DO NOT** use if any parts are missing or broken. Contact Fisher-Price® for replacement parts and instructions if needed. Never substitute parts.



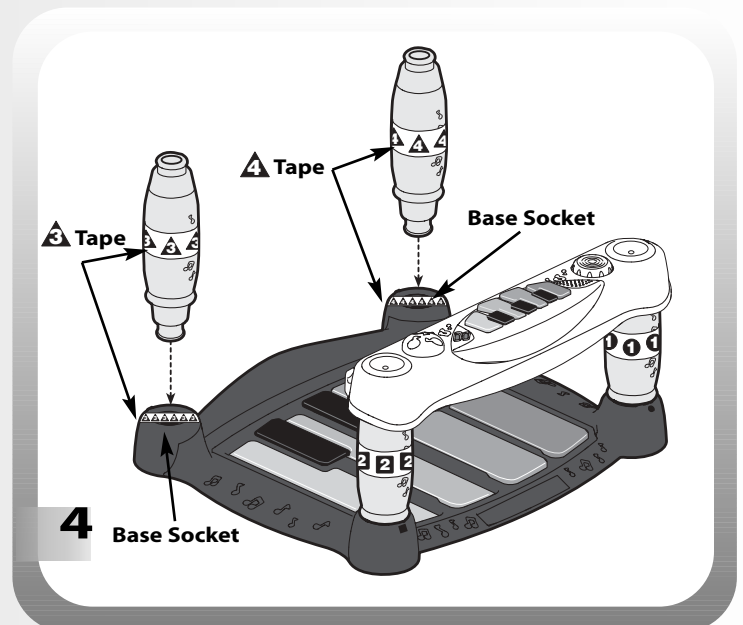
- Locate the leg with **1** tape on it.
- Locate the matching tape covering the socket in the base.
- Align the tab on the leg with the slot in the base socket.
- Insert and “snap” the leg into the base socket.



- Locate the upper rail with leg and **2** tape on it.
- Remove the cardboard attached to the wire connector. Throw the cardboard away.
- Pull the wire connector out from the hole in the bottom of the leg.

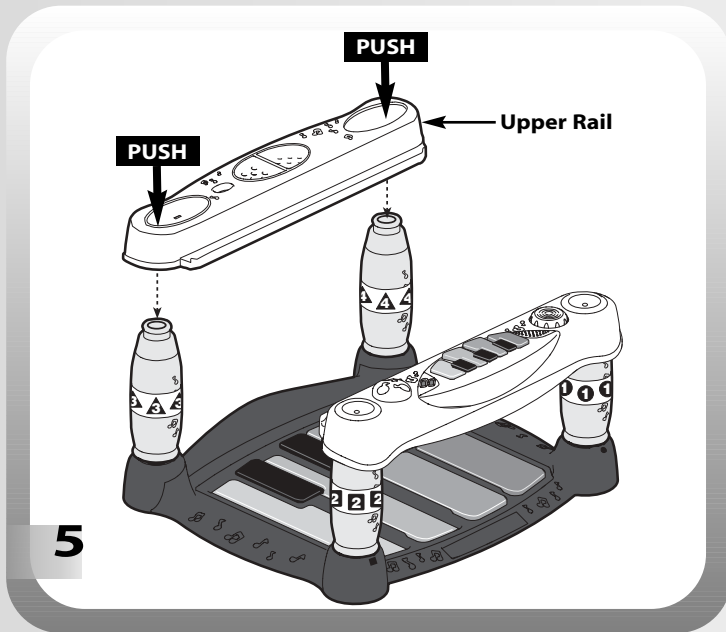


- Position the upper rail with leg so that the leg with **2** tape is over the base socket with matching tape.
- Insert and “snap” the leg with **2** tape into the socket with matching tape.
- Now, firmly push the upper rail above the leg with **1** tape on it. Make sure you hear a “snap”.
- Firmly push the upper rail above the leg with **2** tape on it. Make sure you hear a “snap”.
- Pull up on the upper rail to be sure it is secure.



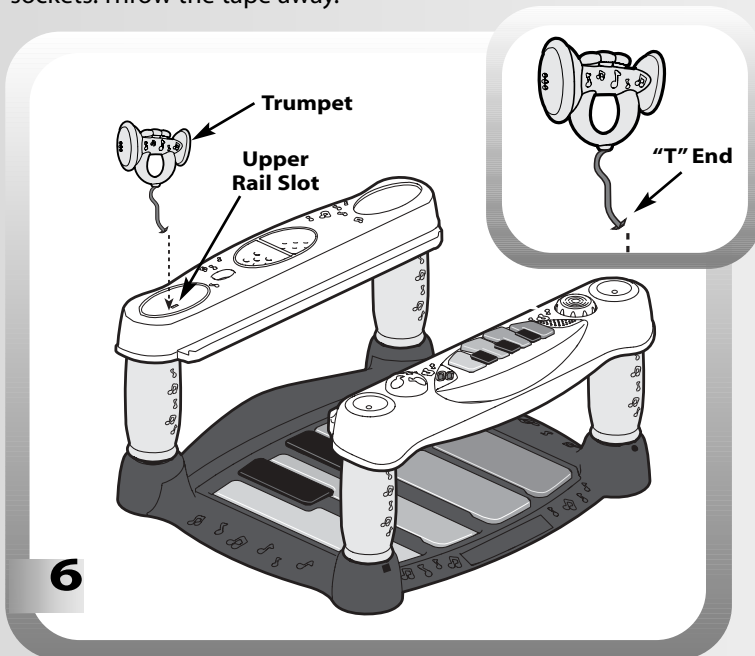
- Locate the legs with **3** **3** tape on them.
- Locate the matching tape covering the sockets in the base.
- Align the tabs on the legs with the slots in the base sockets.
- Insert and “snap” the legs into the base sockets.

Assembly



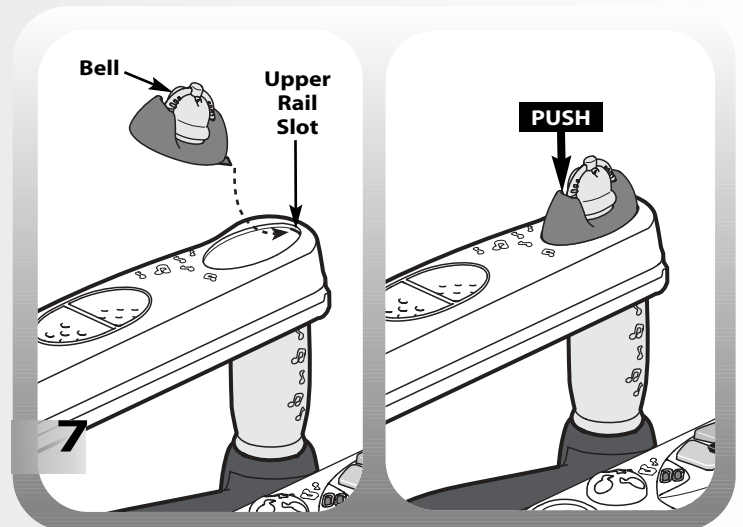
- Fit the upper rail onto the legs, as shown.
- Push down firmly above each leg until, you hear the upper rail **“snap”** into place on each end.
- Pull up on the upper rail to be sure it is secure.

Note: Remove the tape on the legs and around the base sockets. Throw the tape away.

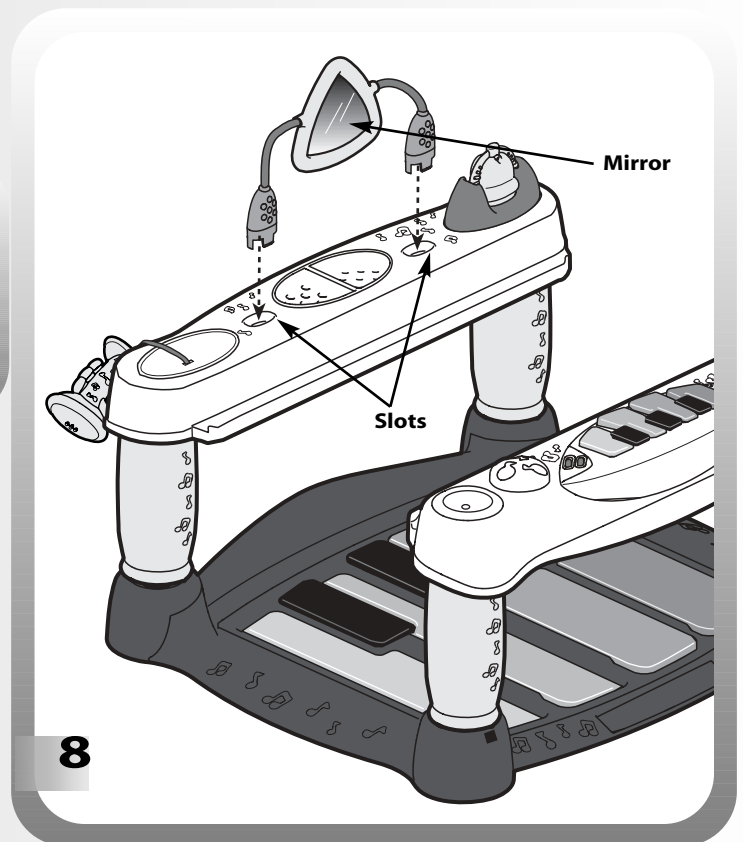


- Fit the **“T”** end of the strap on the trumpet through the slot in the upper rail. Pull the trumpet to be sure it is secure in the upper rail.

Hint: You may want to use the end of a slotted screwdriver to push the **“T”** end of the strap through the slot.

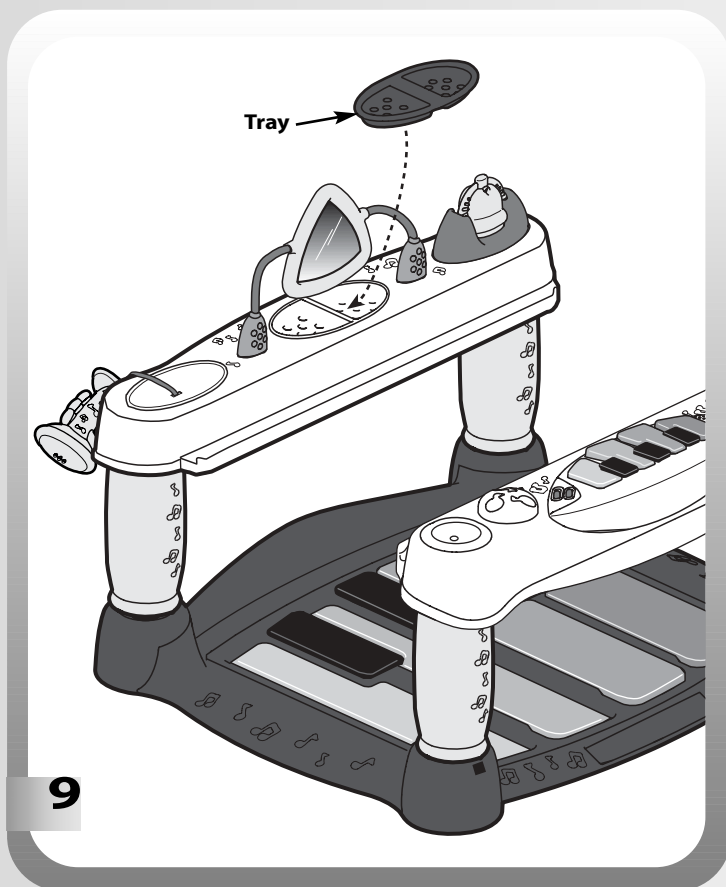


- At an angle, fit the single tab on the bell into the slot in the upper rail.
- Now, push and **“snap”** the other two tabs on the bell into the slots in the upper rail.



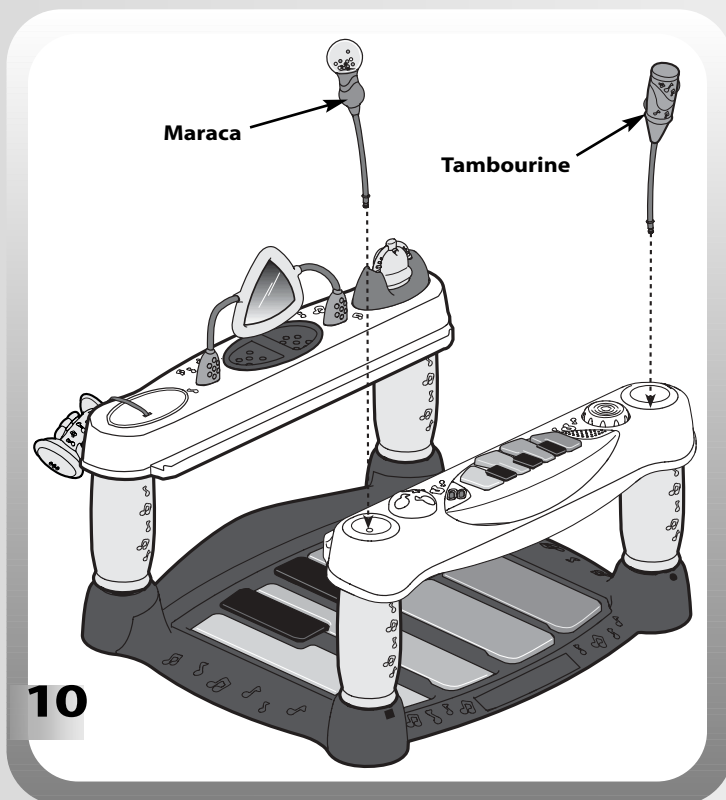
- Position the mirror so that it is toward the inside of the product.
- Insert and **“snap”** the tabs on each end of the mirror into the matching slots in the upper rail.

Assembly



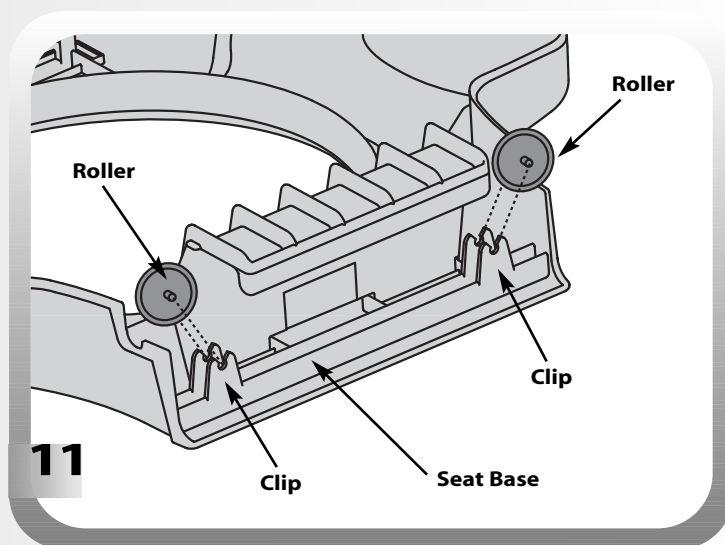
9

- Fit the tray underneath the mirror, into the upper rail, as shown.



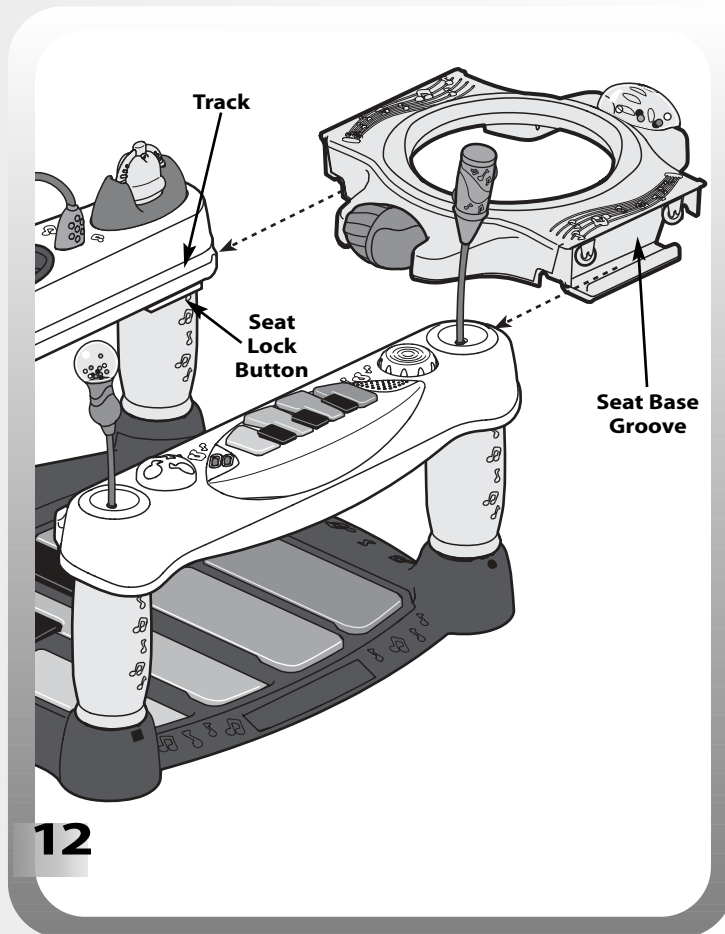
10

- Insert and "snap" the ends of the maraca and tambourine into the holes in each end of the upper rail with keyboard.



11

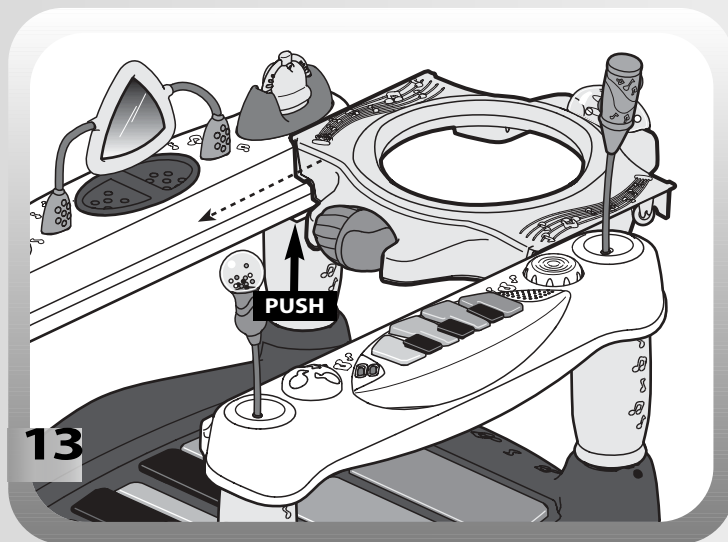
- Turn the seat base upside down on a flat surface.
- Insert and "snap" a roller into each clip on the edge of the seat base, as shown.
- Repeat this procedure to assemble the remaining two rollers to the other side of the seat base.



12

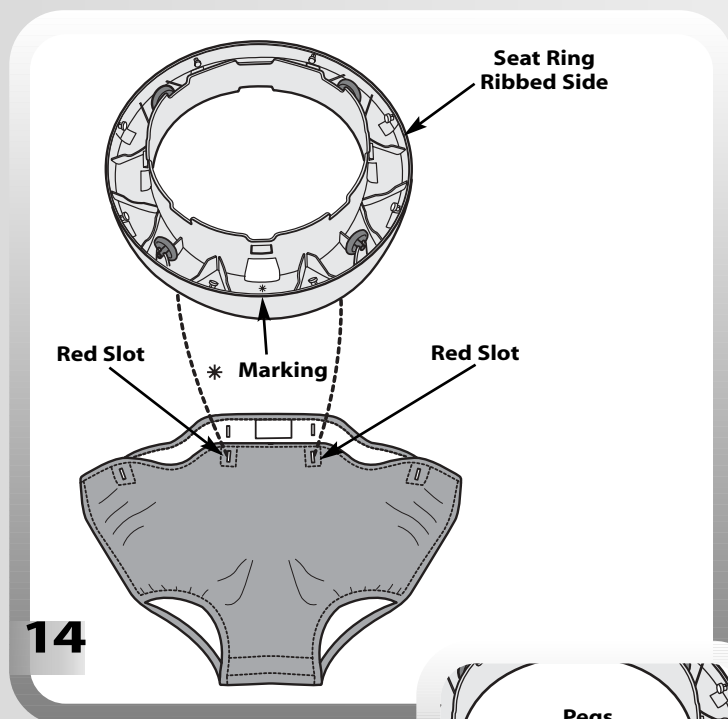
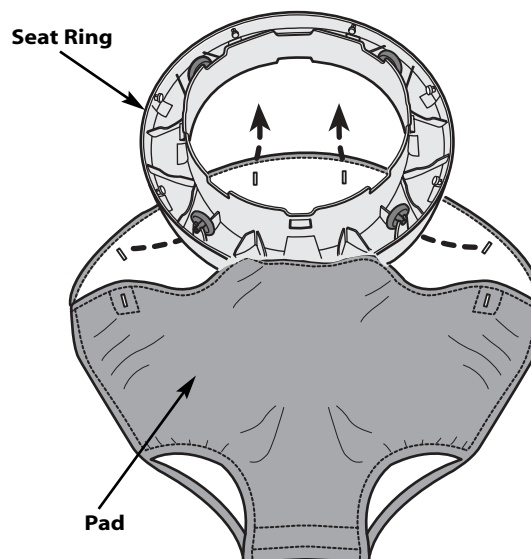
- Locate the **seat lock buttons** on the **underside of each** upper rail.
- Fit the groove on each side of the seat base onto the tracks on the upper rails.

Assembly



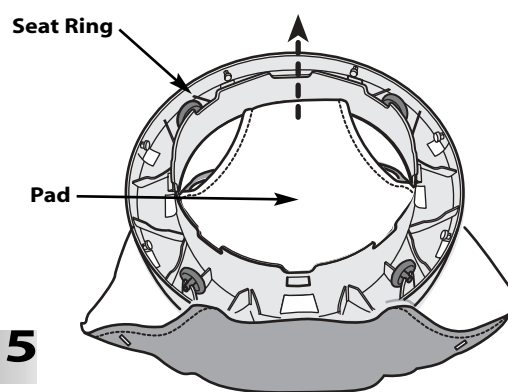
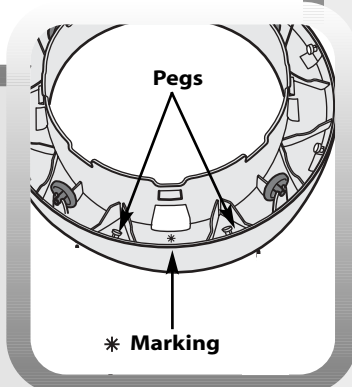
13

- While pushing a seat lock button on one of the upper rails, slide the seat base over it.
- Now, push the seat lock button on the other upper rail and slide the seat base over it.
- Push the seat base so that it is positioned in the center of the product. You should hear a “snap” on each side.



14

- Position the seat ring so that the inside (ribbed side) is up and the * star marking is toward you.
- Fit the red slots on the pad to the seat ring pegs on either side of the * star marking, as shown.

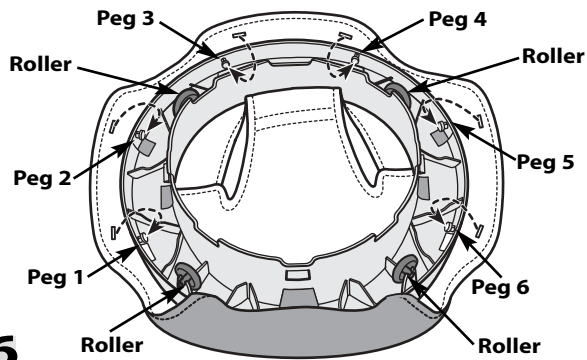


15

- Pull the pad through the seat ring and wrap the pad around the outside of the seat ring.

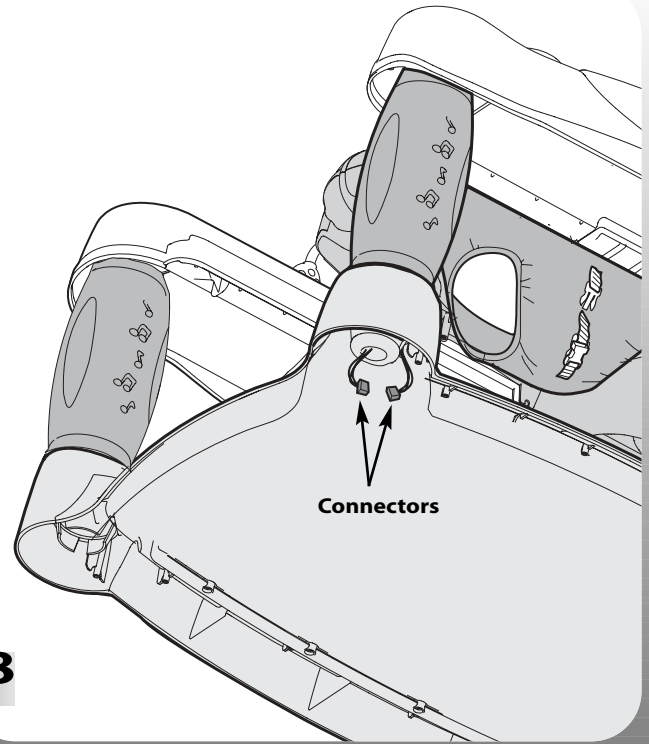
Assembly

16



- Fit the other six slots on the seat pad to the corresponding pegs on the seat ring.
- Tuck the seat pad behind all four rollers.

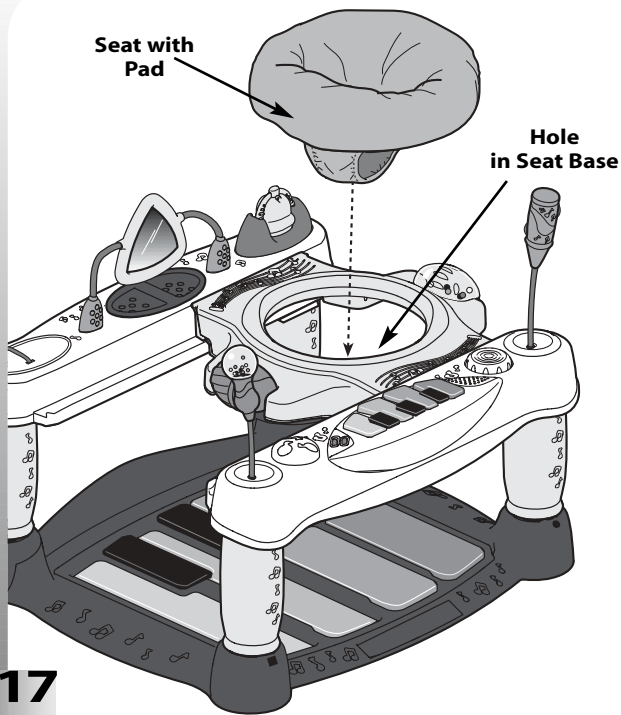
18



- Tip the end of the product up and locate the wire connectors.
- Fit the connectors together. If they will not go together easily, do not force them together. Turn one or the other connectors over, and try again!

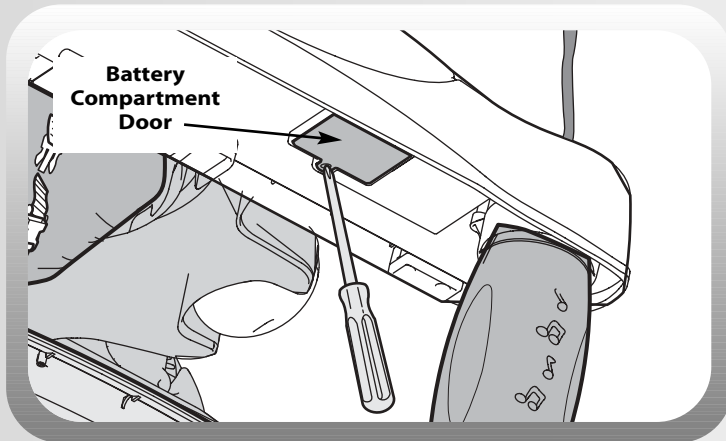
One-time assembly is now complete.

17



- Insert and **"snap"** the seat with pad into the hole in the seat base.
- Pull up on the seat to be sure it is secure.

Battery Installation

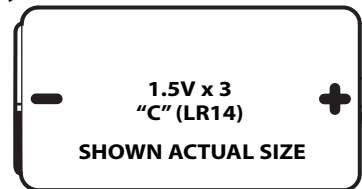


Installation

- Locate the battery compartment door under the upper rail with keyboard.
- Loosen the screw in the battery compartment door with a Phillips screwdriver. Remove the battery compartment door.
- Insert three "C" (LR14) **alkaline** batteries, as indicated inside the battery compartment.
- Replace the battery compartment door and tighten the screw with a Phillips screwdriver. Do not over-tighten.

Battery Safety Information

Hint: We recommend the use of alkaline batteries for longer battery life.



Batteries may leak fluids that can cause a chemical burn injury or ruin your product. To avoid battery leakage:

- Do not mix old and new batteries or batteries of different types: alkaline, standard (carbon-zinc) or rechargeable (nickel-cadmium).
- Remove batteries during long periods of non-use. Always remove exhausted batteries from the product. Dispose of batteries safely. Do not dispose of batteries in a fire. The batteries may explode or leak.
- Never short-circuit the battery terminals.
- Use only batteries of the same or equivalent type, as recommended.
- Do not charge non-rechargeable batteries.
- Remove rechargeable batteries from the product before charging.
- If removable, rechargeable batteries are used, they are only to be charged under adult supervision.

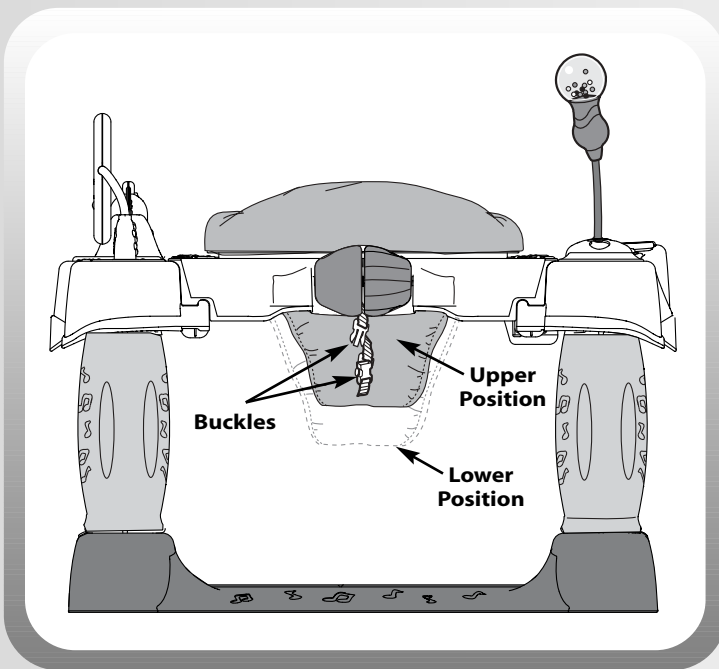
Set-Up & Use

IMPORTANT! Before each use or assembly, inspect this product for damaged hardware, loose joints, missing parts or sharp edges. **DO NOT** use if any parts are missing or broken. Contact Fisher-Price® for replacement parts and instructions if needed. Never substitute parts.

⚠ WARNING

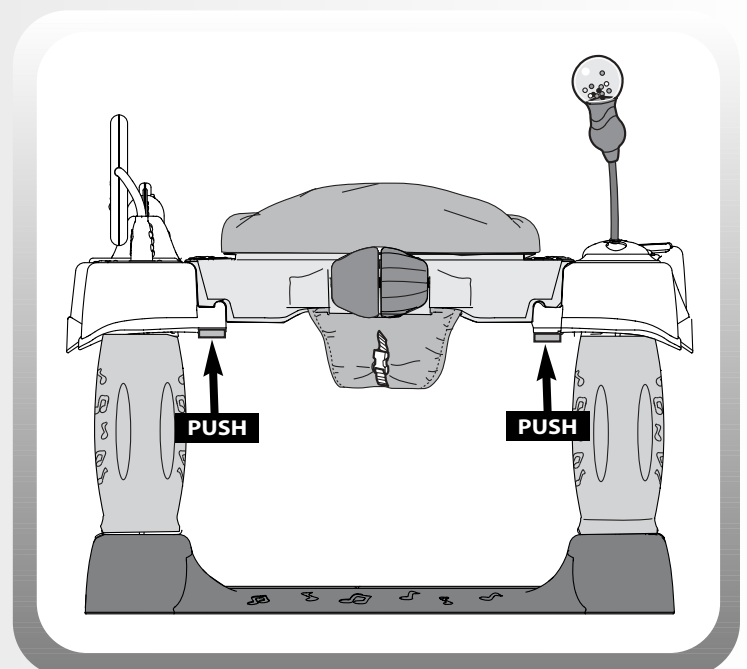
To prevent serious injury or death:

- When seat is in place, use only for a child who is able to hold head upright unassisted and who is not able to walk.
- Never leave child unattended. Always keep child in view while in product.
- Never use near steps or pools, hot surfaces or areas that may be hazardous to a child. Product may move during use.
- To avoid tip over, place product on a flat, level surface.



Seat Height Adjustment

- Place baby in the seat. Check the distance between your baby's feet and the keyboard base.
- Remove baby from the seat.
- Join the buckles to shorten (upper position) or lengthen (lower position) the seat pad.



Remove Seat

- When baby outgrows using the seat, you can remove it from the upper rails.
- Push the seat lock buttons under each upper rail (you will have to do this one at a time), and slide the seat base off of the upper rails.
- Store the seat in a safe location for future use.

Set-Up & Use



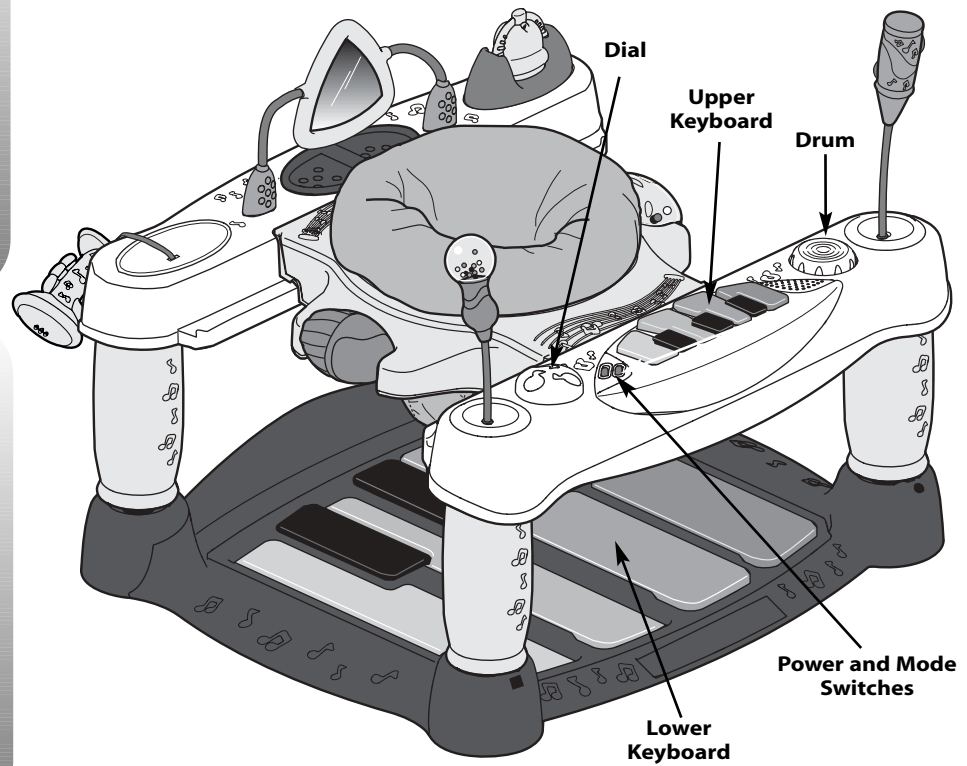
Stage 1
Spinning seat with 12 musical activities.



Stage 2
Sliding seat lets baby "walk" back and forth, with music and lights.



Stage 3
Seat removes so toddler can play and even create songs note by note.



- Slide the power switch to on with low **volume** (🔊); or on with high volume (🔊).
- Slide the **power switch** to **O** to turn power off power.
- Slide the **mode switch** to:



Listen to an entire song when baby taps the lower keyboard.



Listen to a portion of a tune each time baby taps the lower keyboard.



Listen to a single note each time baby taps the lower keyboard.

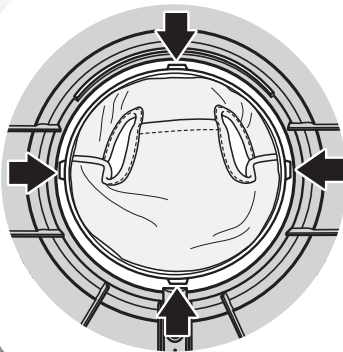
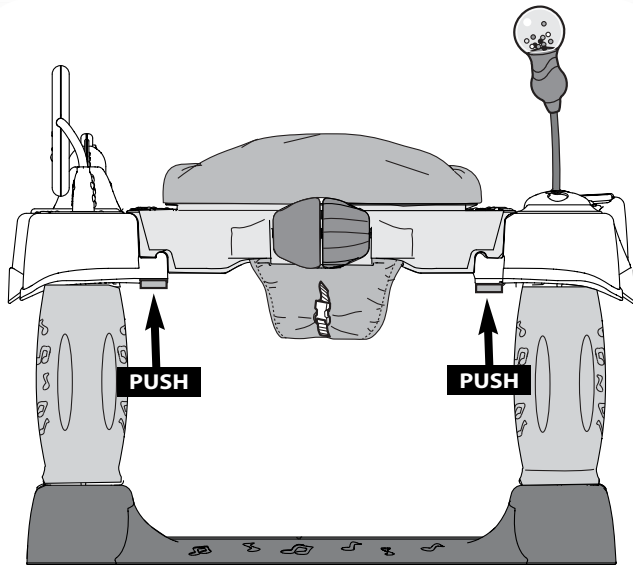


Listen to sound effects when baby turns the dial or taps the drum.

Hint: When sounds or lights become faint, or do not work at all, it's time for an adult to replace the batteries!

Care

The pad is machine washable. Wash the pad separately in cold water on the gentle cycle. Do not use bleach. Tumble dry separately on low heat and remove promptly. The frame, seat base, seat ring and toys may be wiped clean using a mild cleaning solution and a damp cloth. Do not immerse the frame.



Remove Seat and Pad

- Push the seat lock buttons under each upper rail (you will have to do this one at a time), and slide the seat base off of the upper rails.
- Turn the seat base over so the bottom faces you.
- While pressing near any notch on the seat ring, pull the seat ring from the seat base.
- Remove the pad from the seat ring.

Replace the Seat Base, Seat and Pad

- Please follow the Assembly instructions on pages 6, 7 and 8, steps 12 through 17.

FCC Note (United States Only)

Note: This equipment has been tested and found to comply with the limits for a Class B digital device, pursuant to Part 15 of the FCC Rules. These limits are designed to provide reasonable protection against harmful interference in a residential installation. This equipment generates, uses and can radiate radio frequency energy and, if not installed and used in accordance with the instructions, may cause harmful interference to radio communications. However, there is no guarantee that interference will not occur in a particular installation. If this equipment does cause harmful interference to radio or television reception, which can be determined by turning the equipment off and on, the user is encouraged to try to correct the interference by one or more of the following measures:

- Reorient or relocate the receiving antenna.
- Increase the separation between the equipment and receiver.
- Consult the dealer or an experienced radio/TV technician for help.

Note: Changes or modifications not expressly approved by the manufacturer responsible for compliance could void the user's authority to operate the equipment.

Free Manuals Download Website

<http://myh66.com>

<http://usermanuals.us>

<http://www.somanuals.com>

<http://www.4manuals.cc>

<http://www.manual-lib.com>

<http://www.404manual.com>

<http://www.luxmanual.com>

<http://aubethermostatmanual.com>

Golf course search by state

<http://golfingnear.com>

Email search by domain

<http://emailbydomain.com>

Auto manuals search

<http://auto.somanuals.com>

TV manuals search

<http://tv.somanuals.com>