

**Fisher-Price®**

# Tough Trike

## Instructions

Model Numbers: 72643, 72644



Model Number: 72643



Model Number: 72644

**Please keep these instructions for future reference.**

**Adult assembly is required.**

**Tools needed for assembly: Hammer, Phillips Screwdriver, Scrap Block of Wood.**

**If you have any questions about this product, or are missing a part, please call Fisher-Price® toll-free at 1-800-432-KIDS, rather than return this product to the store.**

**Age: 2-5 years.**

**Weight Limit: 55 lbs.**

### **WARNING**

- Adult supervision is required.
- Never use near steps, sloped driveways, hills, roadways, alleys, swimming pool areas or other bodies of water.
- Always wear shoes or sneakers.
- Never allow more than one rider.
- Observe child weight limit: maximum 55 lbs.

### **CAUTION**

Please keep small parts, hardware and plastic bags out of children's reach. Dispose of plastic bags properly.

# Parts

- Please save all packaging material until assembly is complete to ensure that no parts are discarded.
- Wipe each part with a clean dry cloth before assembly.
- If you are missing a part, please call Fisher-Price® toll-free at **1-800-432-KIDS** rather than return this product to the store.

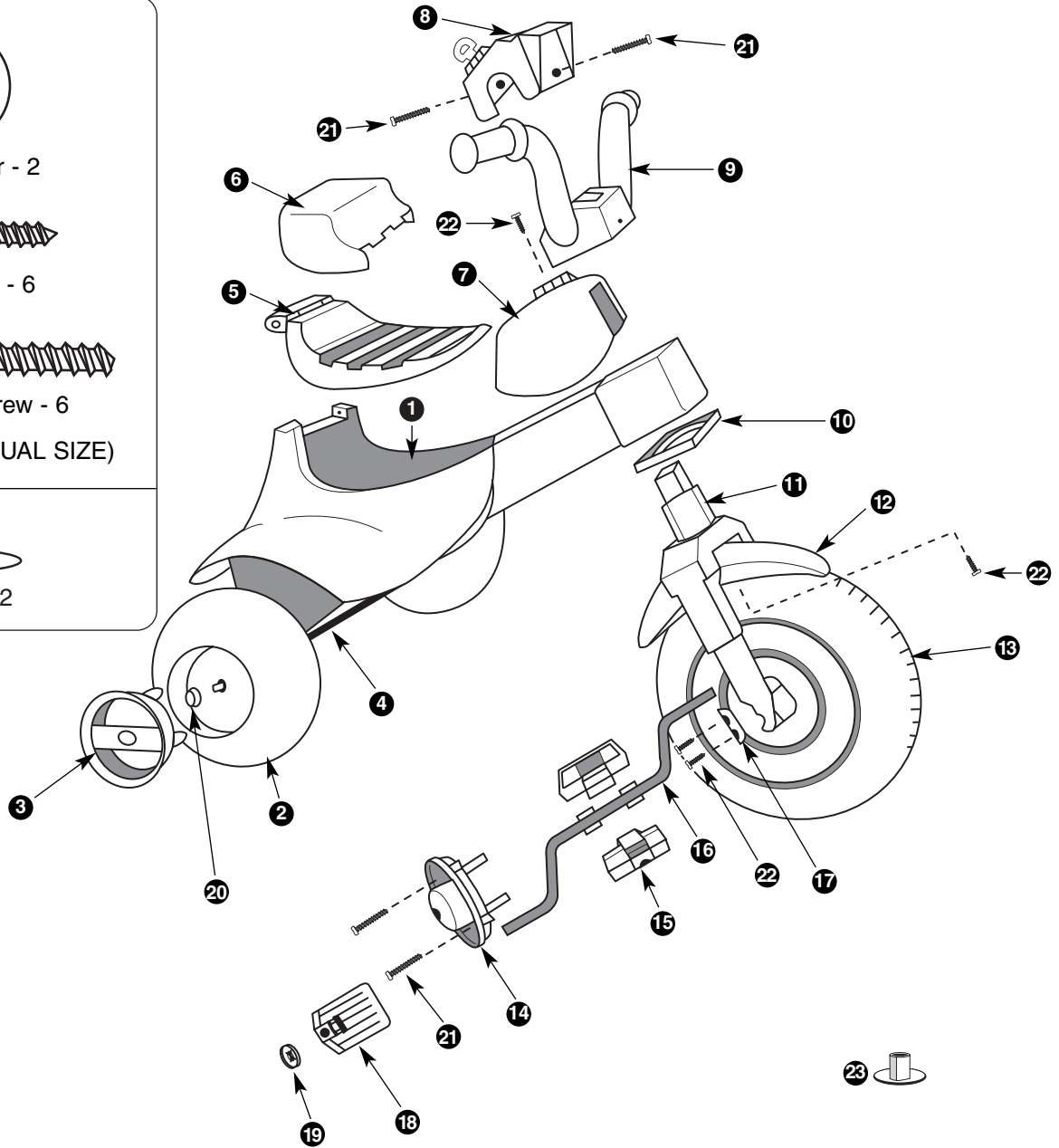
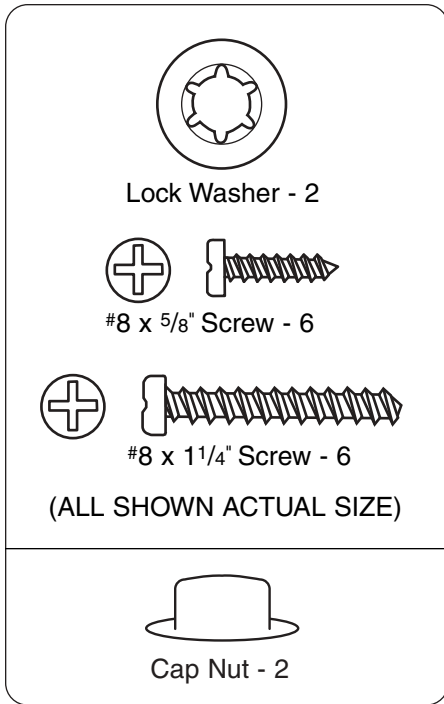
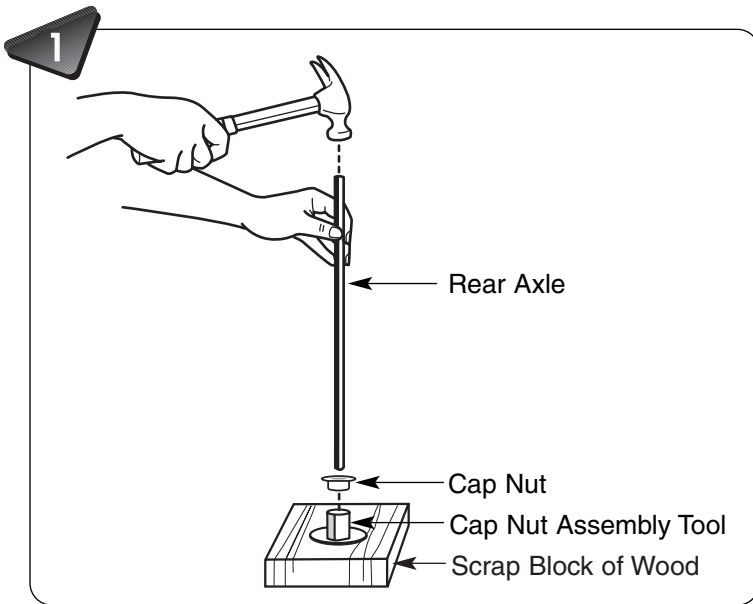


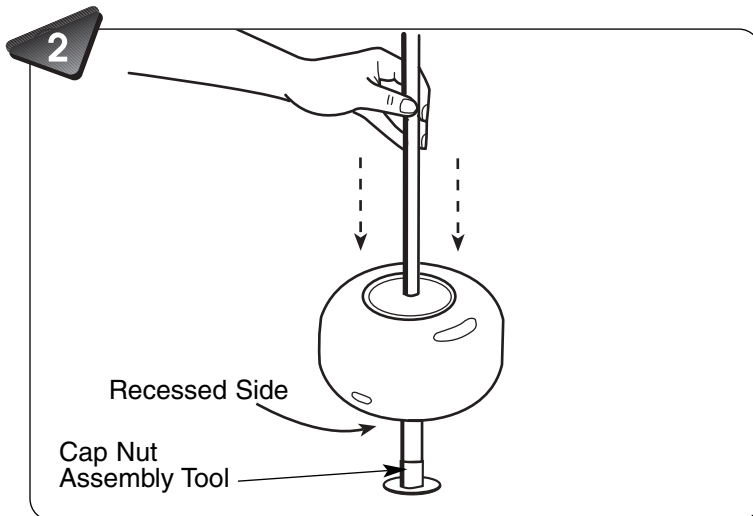
Illustration Number	Part Description	Quantity	Illustration Number	Part Description	Quantity
1	Frame	1	13	Front Wheel	1
2	Rear Wheel	2	14	Front Wheel Cover	2
3	Rear Wheel Cover	2	15	Pedal Hub	2
4	Rear Axle	1	16	Front Axle	1
5	Seat	1	17	Front Axle Cover	2
6	Booster Seat	1	18	Pedal	2
7	Tank	1	19	Lock Washer	2
8	Key Console	1	20	Cap Nut	2
9	Handlebar	1	21	#8 x 1/4" Screw	6
10	Frame Cover	1	22	#8 x 5/8" Screw	6
11	Fork	1	23	Cap Nut Assembly Tool	3
12	Fender	1		Label Sheet (not shown)	1

# Assembly

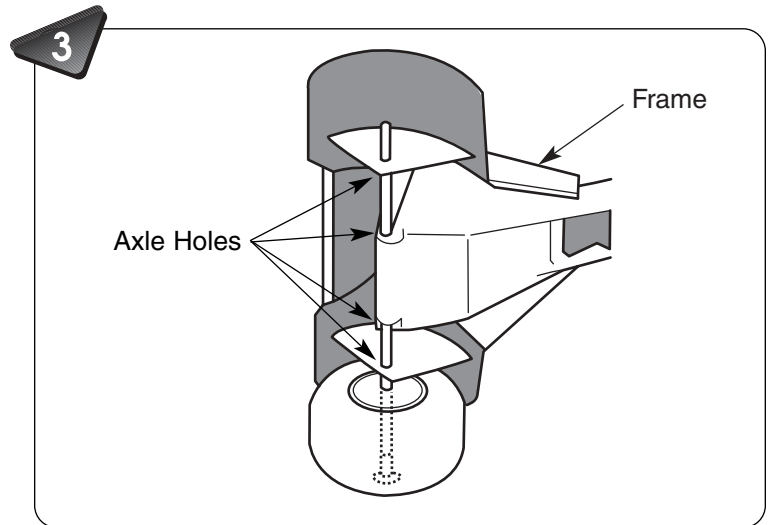
**IMPORTANT!** Remove the cap nut assembly tools from the rear axle and save them. The cap nut assembly tools will be used for assembly steps 1 - 4 and then discarded when the rear wheel assembly is complete.



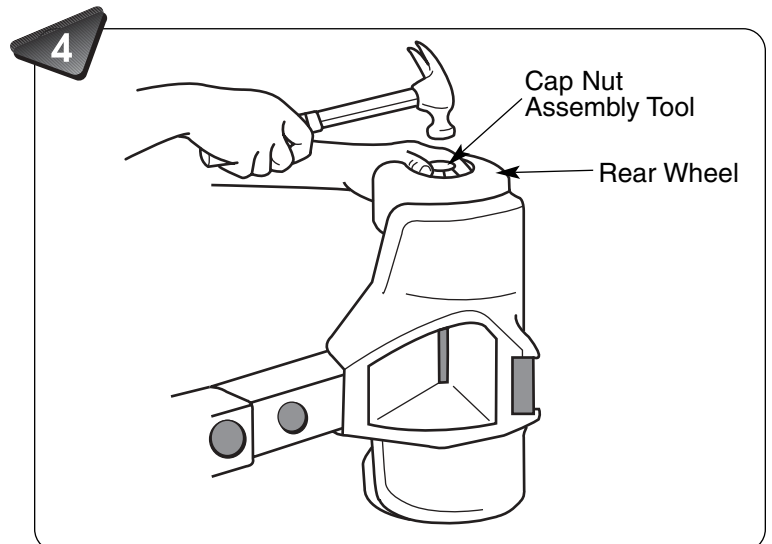
- Place a scrap block of wood on a flat surface.
- Fit a cap nut into a cap nut assembly tool.
- Insert one end of the rear axle into a cap nut.
- Tap the end of the rear axle with a hammer. Make sure the cap nut is securely attached to the rear axle.



- Place a rear wheel onto the rear axle with the recessed side facing down toward the cap nut assembly tool.



- Turn the frame on its side.
- Insert the rear axle through the four axle holes in the rear of the frame.

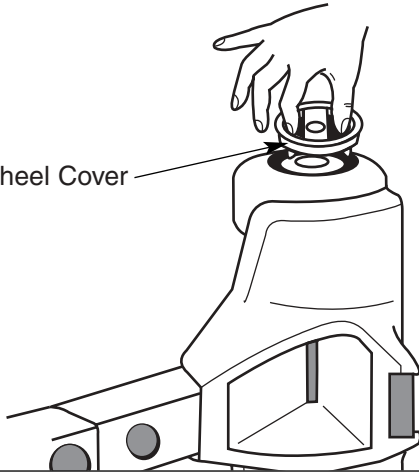


- Place the other rear wheel onto the rear axle with the recessed side facing up.
- Place a cap nut into a cap nut assembly tool.
- Place the cap nut with cap nut assembly tool onto the end of the rear axle and tap with a hammer until secure.
- Remove both cap nut assembly tools and dispose of them properly.

# Assembly

5

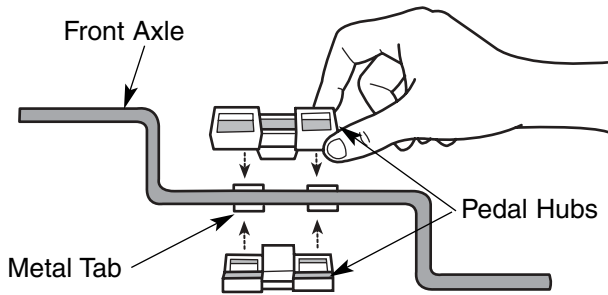
Rear Wheel Cover



- Snap a rear wheel cover into the recessed area in each rear wheel.

6

Front Axle



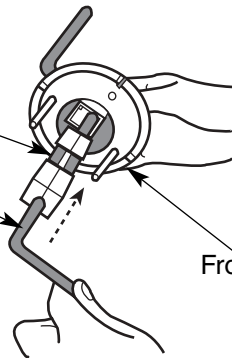
- Fit the slots in the pedal hubs onto the metal tabs on the front axle.
- Snap the pedal hubs together securely.

7

Pedal Hub

Front Axle

Front Wheel Cover



- Slide the front wheel cover onto one end of the front axle so that the pedal hub fits into the square recessed area inside the front wheel cover.

8

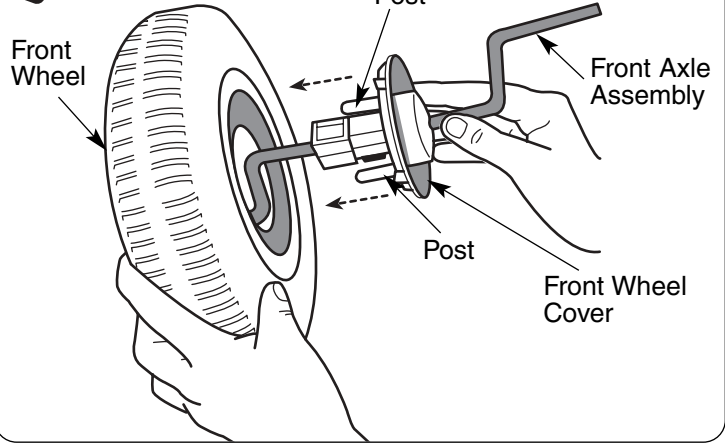
Front Wheel

Post

Front Axle Assembly

Post

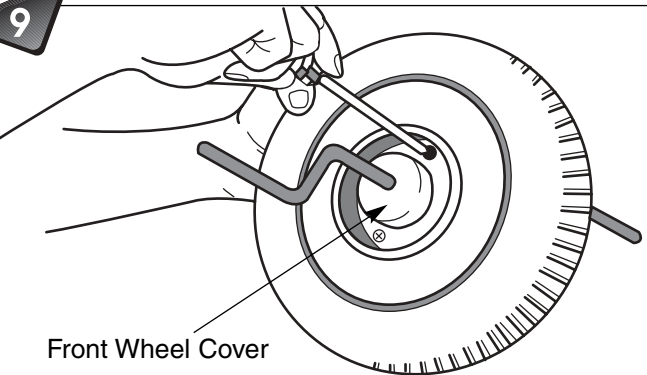
Front Wheel Cover



- Insert the front axle assembly into the front wheel. Make sure the two posts on the front wheel cover fit into the corners of the square opening in the front wheel.

9

Front Wheel Cover



- Slide the other front wheel cover onto the front axle assembly. Align the posts on the front wheel cover with the holes in the front axle assembly.
- Insert two 1<sup>1</sup>/<sub>4</sub>" screws into each front wheel cover. Tighten the screws with a Phillips screwdriver. Do not over-tighten.

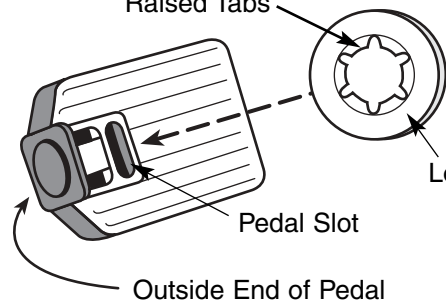
10

Raised Tabs

Lock Washer

Pedal Slot

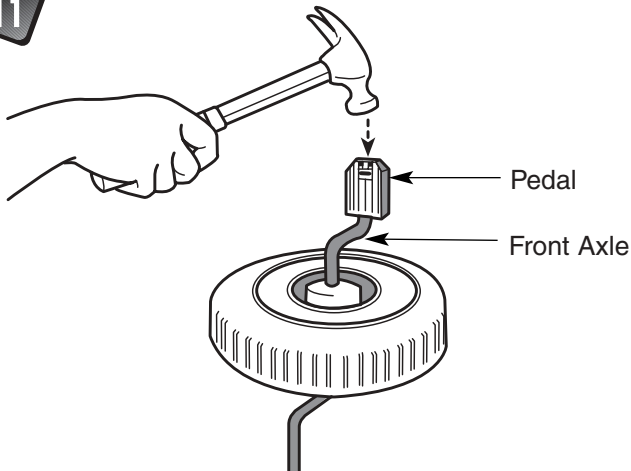
Outside End of Pedal



- Insert a lock washer into the pedal slot. Make sure the raised tabs on the lock washer are facing the closed, or outside end of the pedal.
- Repeat this procedure to fit the other lock washer into the other pedal.

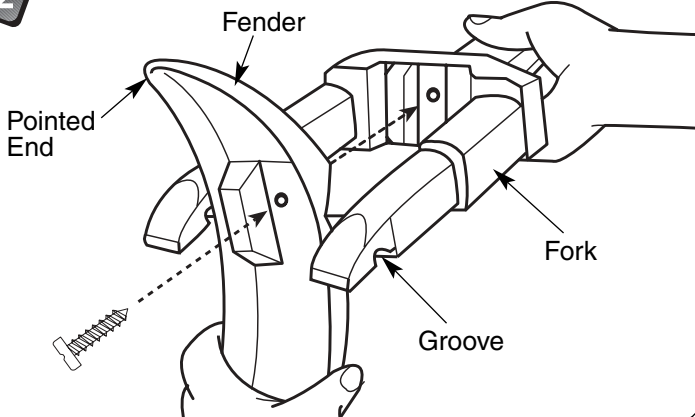
# Assembly

11



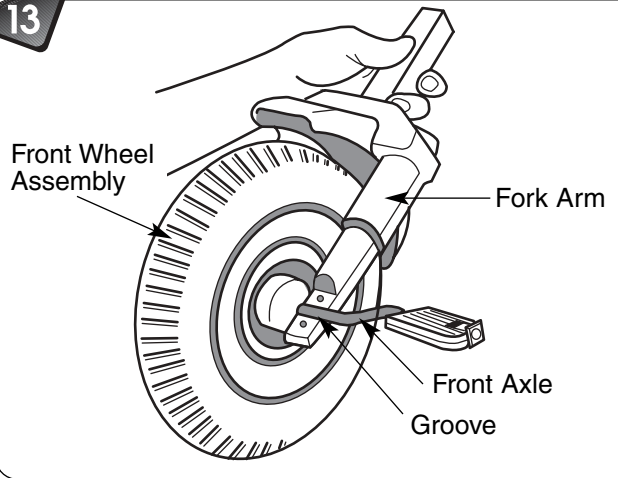
- Place a scrap block of wood under the front wheel assembly.
- Fit a pedal onto one end of the front axle.
- With the lock washer centered over the front axle end, tap the pedal until it is secure.
- Repeat this procedure to attach the other pedal to the other end of the front axle.

12



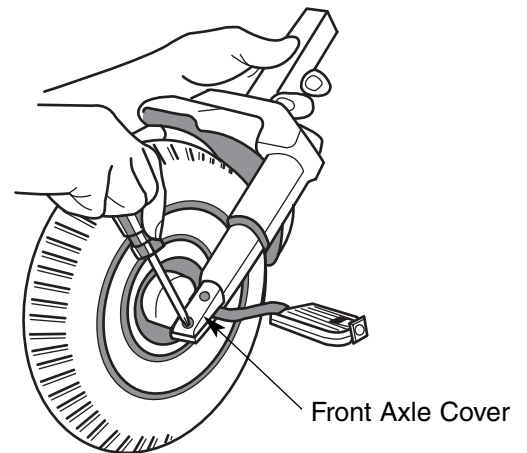
- Position the fender between the fork arms, so that the pointed end of the fender is facing up and the grooves on the fork are facing down.
- Insert one  $\frac{5}{8}$ " screw through the fender and into the fork. Tighten the screw with a Phillips screwdriver. Do not over-tighten.

13



- Place the front wheel assembly between the fork arms so the front axle rests in the groove on each fork arm.

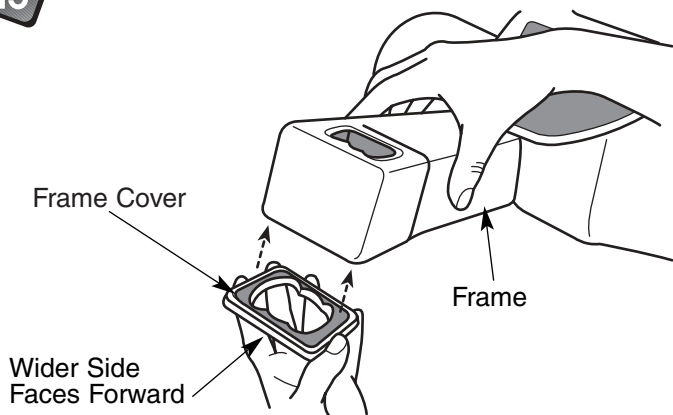
14



- Fit a front axle cover on the front axle on one fork arm.
- Insert two  $\frac{5}{8}$ " screws through the front axle cover and into the fork. Tighten the screws with a Phillips screwdriver. Do not over-tighten.
- Repeat this procedure to attach the front axle cover to the other side of the front wheel assembly.

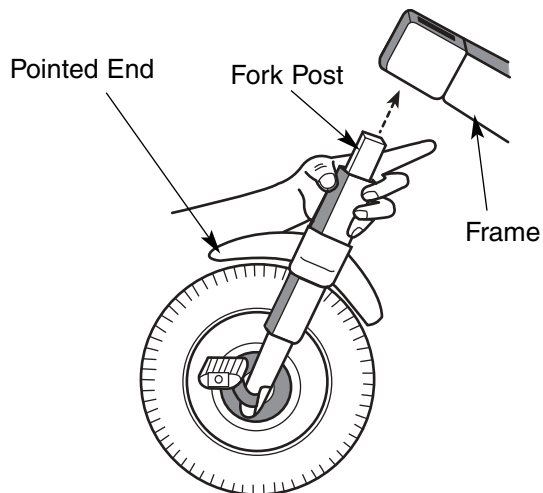
# Assembly

15



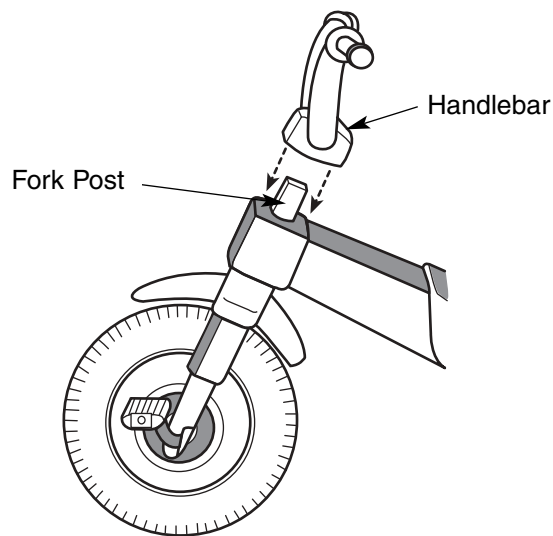
- Snap the frame cover (wider side facing forward) on the underside of the frame.

16



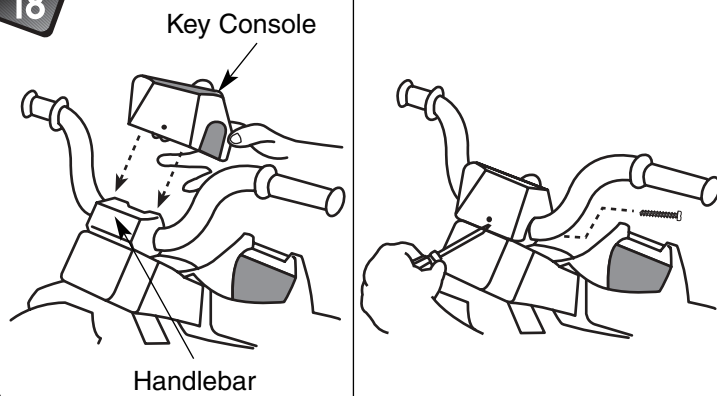
- Insert the fork post through the frame hole making sure the pointed end of the fender faces forward.

17



- Fit the handlebar onto the fork post.

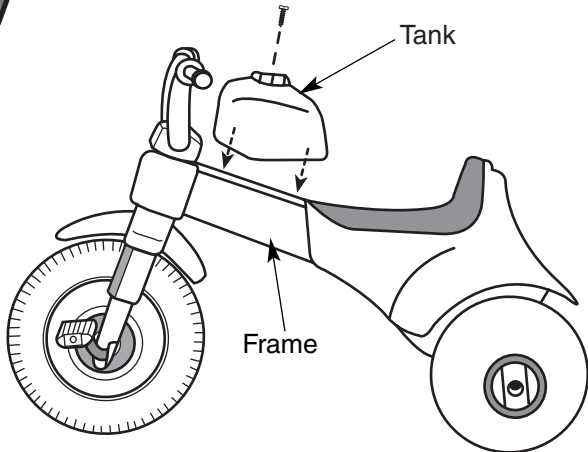
18



- Place the key console on the center of the handlebar, so that the key faces the rear.
- Align the key console holes with the handlebar holes and insert two 1 $\frac{1}{4}$ " screws through the front and back of the key console. Tighten the screws with a Phillips screwdriver. Do not over-tighten.

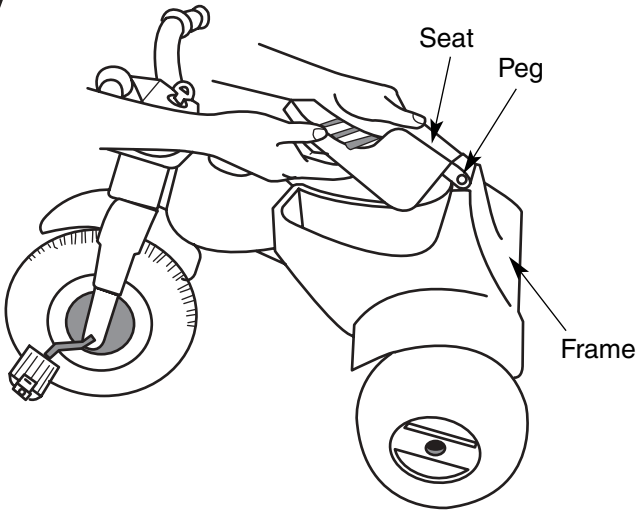
# Assembly

19



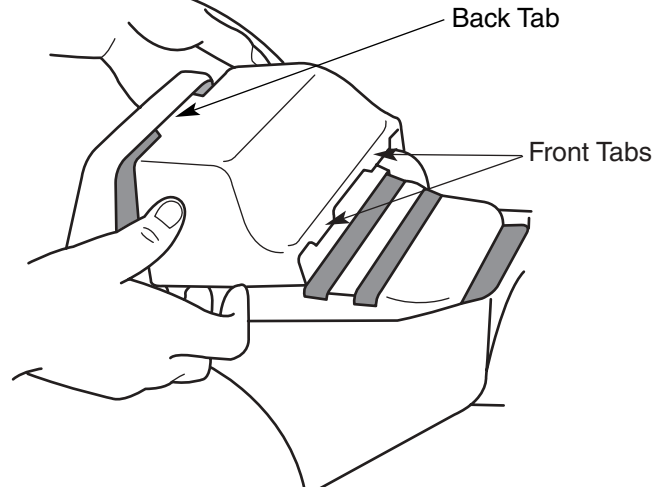
- Place the tank on the frame, as shown.
- Align the hole in the tank with the hole in the frame.
- Insert one  $\frac{5}{8}$ " screw through the tank and into the frame. Tighten the screw with a Phillips screwdriver. Do not over-tighten.

20

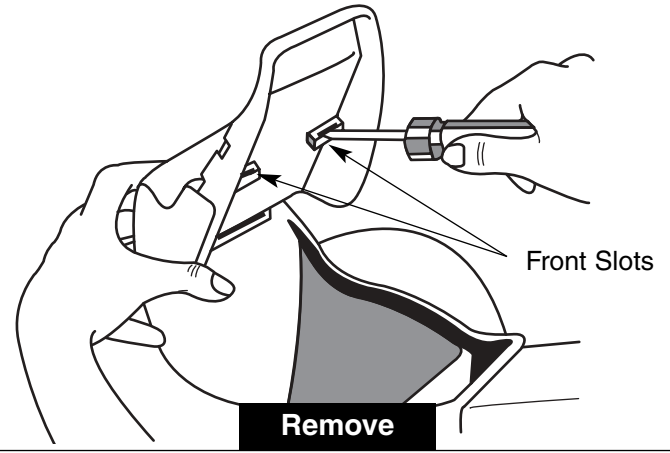


- Insert the left rear peg on the seat into the left opening on the frame.
- Position the right rear peg on the seat above the right opening and snap firmly into place.

21



**Attach**



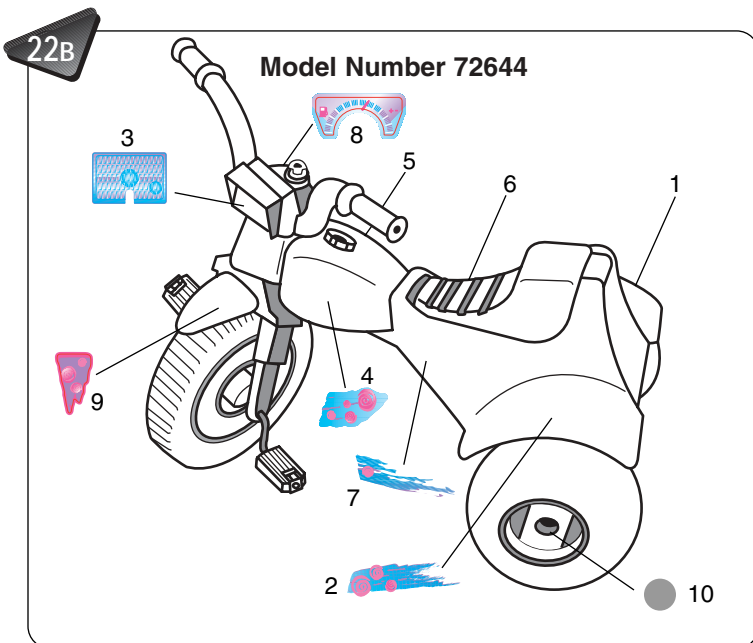
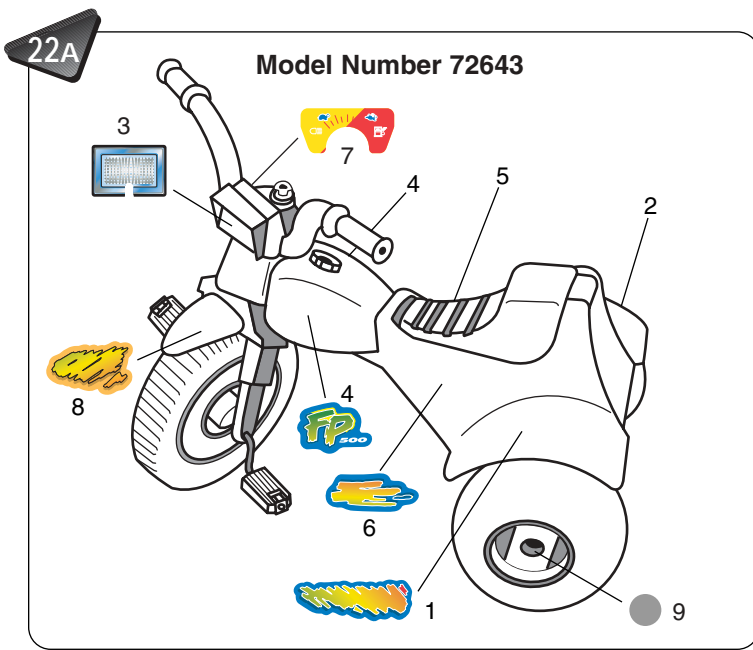
**Remove**

**Helpful Hint:** Check your child's fit on the Tough Trike by observing the seat to pedal distance as it is being ridden. If the pedals seem too far away for your child, attach the booster seat.

- Insert the back tab on the booster seat first and then press down on the front to secure the two front tabs.
- As your child grows, the booster seat may be removed. To remove, insert a flat end screwdriver into the front slots and push up.



## Assembly



- Proper label application will help to keep the labels looking their best!
- Wash your hands before applying the labels.
- Make sure areas where the labels will be applied are clean and dry. Wipe the Tough Trike with a clean, soft, dry cloth to remove any dust or oils.
- Apply the labels as shown in the illustration above.
- For best results, avoid applying a label more than once.
- After applying a label, rub the label firmly with a cloth to make sure the label is adhered to the Tough Trike.

**Assembly is now complete.**

## Maintenance

- Check the plastic parts regularly and if broken or cracked, dispose of them properly.
- Check all fasteners regularly to be sure they are tight. If the fasteners are not tight, tighten them as necessary.
- To clean the Tough Trike, use a mild soap and water solution and clean cloth. Rinse clean with water to remove soap residue.

## Three (3) Year Limited Warranty

Fisher-Price, Inc., 636 Girard Avenue, East Aurora, New York 14052, warrants to the original owner that the Tough Trike is free from all defects in material and workmanship when used under normal conditions for a period of three (3) years from the date of purchase.

Should the product fail to perform properly, we will repair or replace it at our option, free of charge. Purchaser is responsible for shipping the product to Fisher-Price Consumer Affairs at the address indicated above and for all associated freight and insurance cost.

Fisher-Price, Inc. will bear the cost of shipping the repaired or replaced item to you. This warranty is void if the owner repairs or modifies the product. This warranty excludes any liability other than that expressly stated above including but not limited to any incidental or consequential damages.

**SOME STATES DO NOT ALLOW THE EXCLUSION OR LIMITATION OF INCIDENTAL OR CONSEQUENTIAL DAMAGES, SO THE ABOVE LIMITATION OR EXCLUSION MAY NOT APPLY TO YOU.**

**THIS WARRANTY GIVES YOU SPECIFIC LEGAL RIGHTS, AND YOU MAY ALSO HAVE OTHER RIGHTS WHICH MAY VARY FROM STATE TO STATE.**



### Questions? We'd like to hear from you!

Call Fisher-Price® Consumer Affairs, toll-free at **1-800-432-KIDS**, 8 AM - 6 PM EST Monday through Friday. Hearing-impaired consumers using TTY/TDD equipment, please call 1-800-382-7470. Or, write to: Fisher-Price® Consumer Affairs, 636 Girard Avenue, East Aurora, New York 14052.

If you have any questions about this product:

**In Canada**, call **1-800-567-7724**, or write to: Mattel Canada Inc., 6155 Freemont Blvd., Mississauga, Ontario L5R 3W2.

**In Great Britain**, telephone 01734 770488.

**In Australia**, call the Fisher-Price Australian Consumer Advisory Service toll-free at 1-800-800-812, or write to: Fisher-Price, Mattel Pty. Limited, 461 Plummer Street, Port Melbourne, Victoria 3207.



## Free Manuals Download Website

<http://myh66.com>

<http://usermanuals.us>

<http://www.somanuals.com>

<http://www.4manuals.cc>

<http://www.manual-lib.com>

<http://www.404manual.com>

<http://www.luxmanual.com>

<http://aubethermostatmanual.com>

Golf course search by state

<http://golfingnear.com>

Email search by domain

<http://emailbydomain.com>

Auto manuals search

<http://auto.somanuals.com>

TV manuals search

<http://tv.somanuals.com>