

**Fisher-Price®**

# Grow-With-Me Trike

Model Number: 72667

## Instructions



**Please keep these instructions for future reference.**

**Adult assembly is required.**

**Tools needed for assembly: Hammer, Phillips Screwdriver, Scrap Block of Wood.**

**If you have any questions about this product, or are missing a part, please call us toll-free at 1-800-432-KIDS, rather than return this product to the store.**

**Age: 2 - 6 years.**

**Weight Limit: 60 lbs.**

## WARNING

- Adult supervision is required.
- Never use near steps, sloped driveways, hills, ditches, roadways, alleys, swimming pool areas or other bodies of water.
- Always wear shoes or sneakers.
- Never allow more than one rider.
- Observe child weight limit: maximum 60 lbs.

## CAUTION

Please keep small parts, hardware and plastic bags out of children's reach. Dispose of plastic bags properly.

## Message to Parents

Thank you for purchasing the Fisher-Price® Grow-With-Me Trike for your child. The Grow-With-Me Trike starts off as a regular tricycle for the youngest riders and then converts to a low rider as your child grows.

The Grow-With-Me Trike requires adult assembly. Please set aside at least 30 minutes for assembly. Please read these instructions carefully and identify all parts before assembly. Refer to the parts illustration for identification.

## Consumer Information



### Questions? We'd like to hear from you!

Call Fisher-Price® Consumer Affairs, toll-free at **1-800-432-KIDS**, 8 AM - 6 PM EST Monday through Friday. Hearing-impaired consumers using TTY/TDD equipment, please call 1-800-382-7470. Or, write to: Fisher-Price® Consumer Affairs, 636 Girard Avenue, East Aurora, New York 14052.

# Parts

- Please save all packaging material until assembly is complete to ensure that no parts are discarded.
- If you are missing a part, please call us toll-free at **1-800-432-KIDS**, rather than return this product to the store.
- Please wipe each part with a clean, dry cloth before assembly.

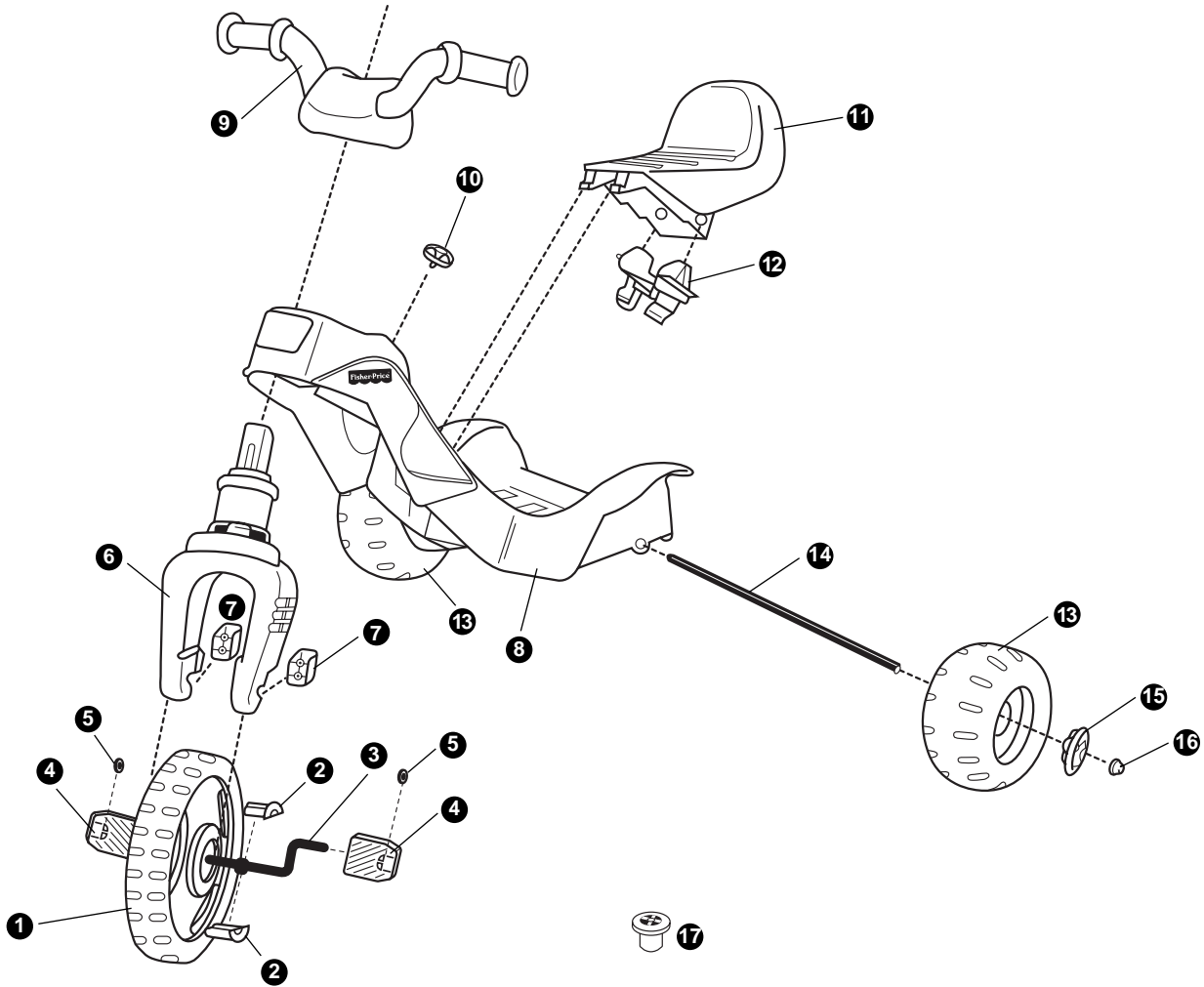


Illustration Number	Part Description	Quantity	Illustration Number	Part Description	Quantity
1	Front Wheel	1	11	Seat	1
2	Pedal Hub	4	12	Seat Retainer	1
3	Pedal Axle	1	13	Rear Wheel	2
4	Pedal	2	14	Straight Axle	1
5	Lock Washer	2	15	Hubcap	2
6	Fork	1	16	Cap Nut	2
7	Pedal Axle Cover	2	17	Cap Nut Assembly Tool	1
8	Frame	1	18	#8 x 3" Screw	1
9	Handlebar	1	19	#8 x 3/4" Screw	4
10	Gas Cap	1		Label Sheet (not shown)	1



5 Lock Washer – 2

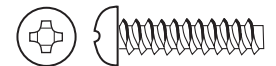


16 Cap Nut – 2



18 #8 x 3" Screw – 1

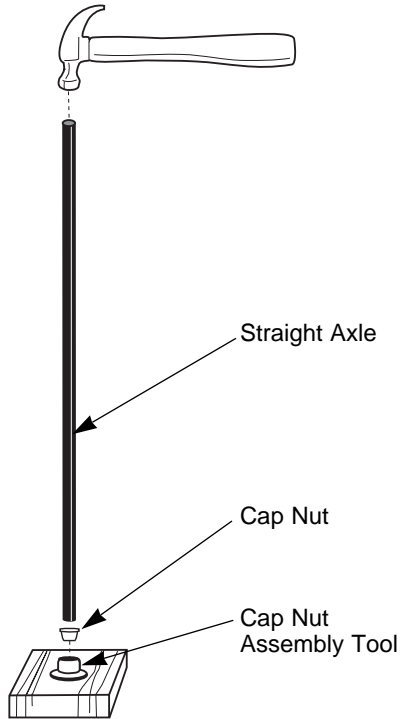
(ALL SHOWN ACTUAL SIZE)



19 #8 x 3/4" Screw – 4

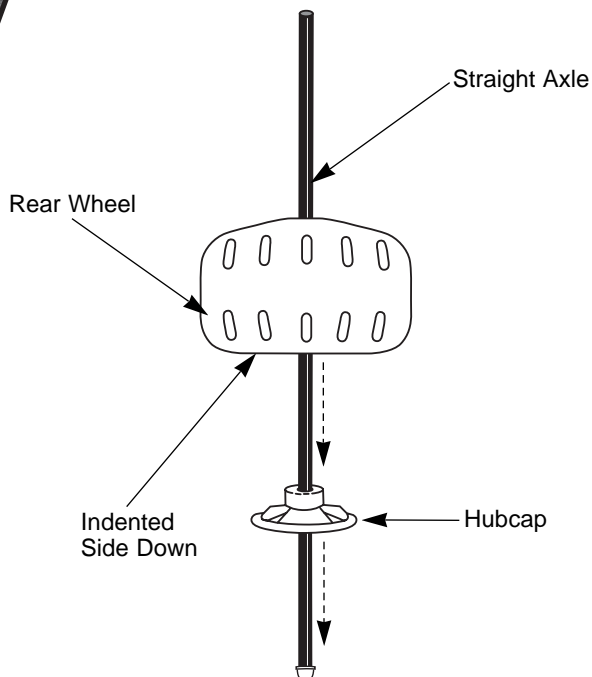
# Assembly

1



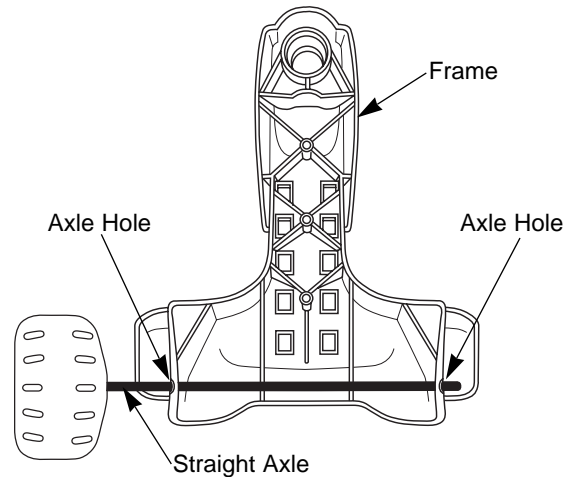
- Place a scrap block of wood on a flat surface.
- Fit a cap nut into the cap nut assembly tool.
- Place one end of the straight axle into the cap nut.
- Tap the end of the straight axle with a hammer. **Make sure the cap nut is securely attached to the straight axle.**
- Remove the cap nut assembly tool from the cap nut.

2



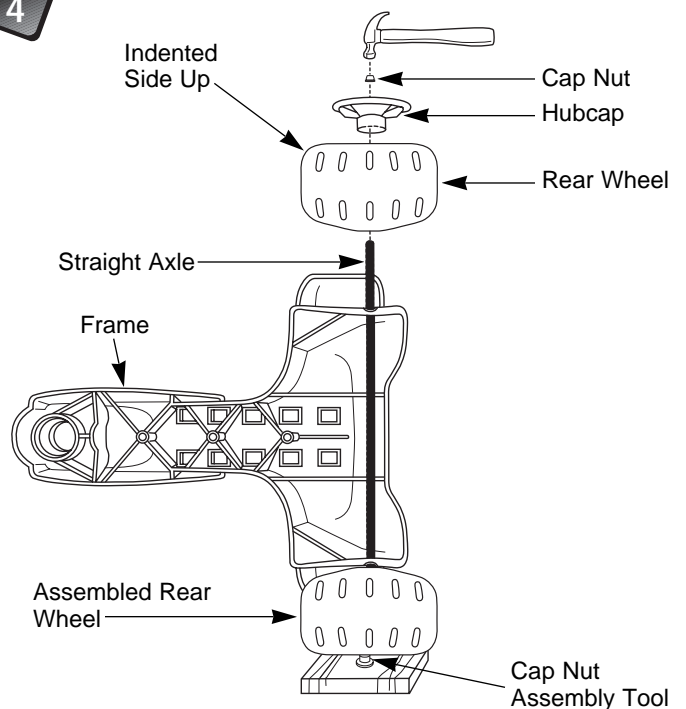
- Slide a hubcap (peg side up) onto the straight axle.
- Slide a rear wheel (indented side down) onto the straight axle.

3



- Turn the frame upside down.
- Insert the straight axle through the axle holes in the rear of the frame.

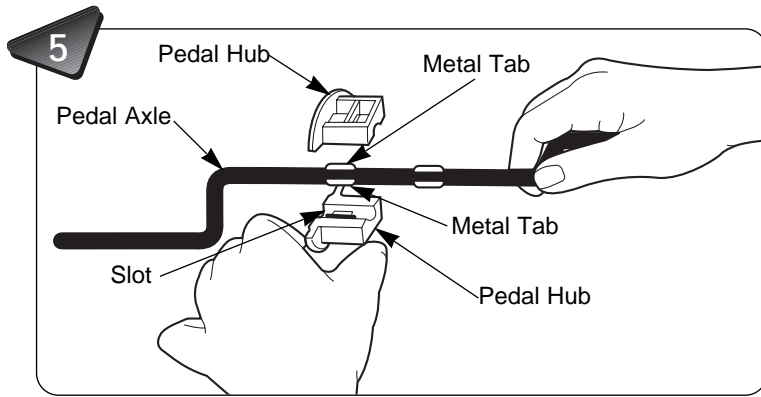
4



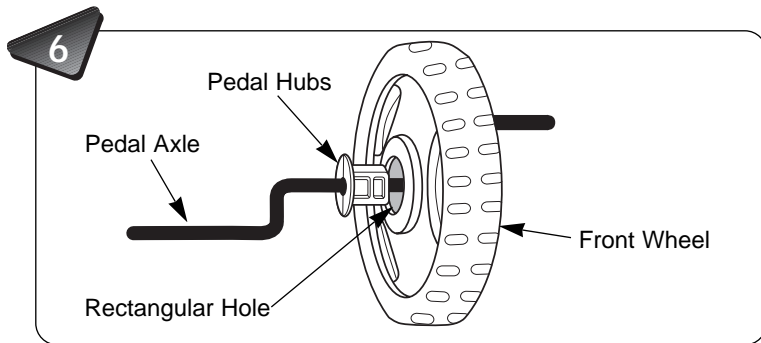
- Place a scrap block of wood on a flat surface.
- Turn the frame on its side with the exposed end of the straight axle up.
- Place the cap nut assembly tool under the assembled rear wheel and onto the cap nut.
- Slide a rear wheel (indented side up) onto the end of the straight axle.
- Slide a hubcap (peg side down) onto the straight axle.
- Place a cap nut on the end of the straight axle.
- Tap the cap nut with a hammer. **Make sure the cap nut is securely attached to the straight axle.**
- Dispose of the cap nut assembly tool properly.
- Set the frame assembly aside.

4

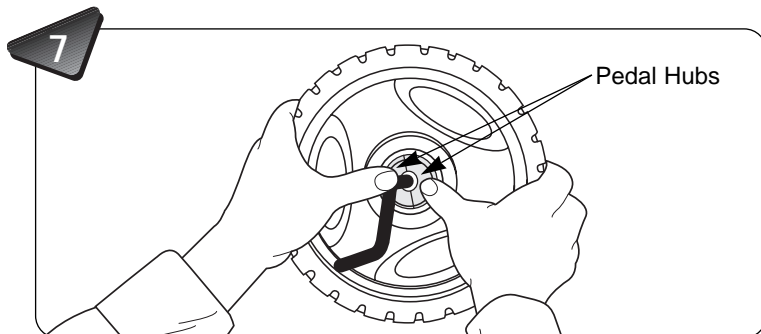
# Assembly



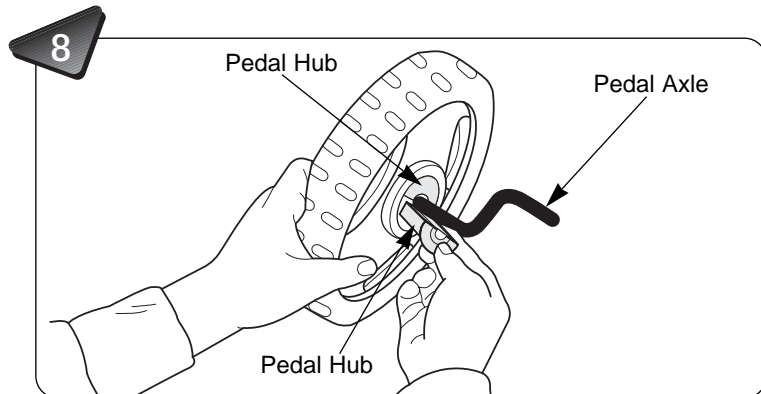
- Place two pedal hubs on the pedal axle so that the metal tabs on the pedal axle fit into the slots inside each pedal hub.



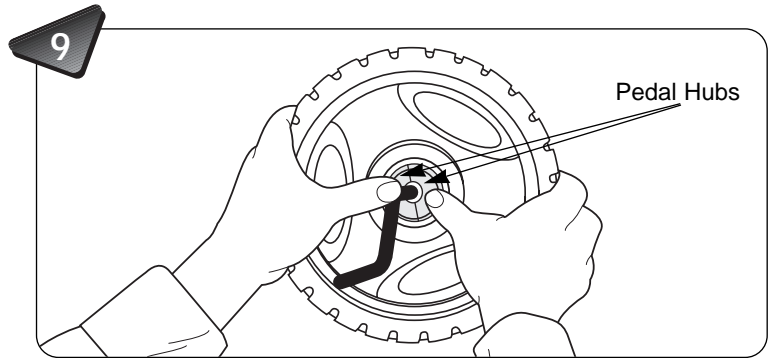
- While holding the pedal hubs on the pedal axle, insert the assembly into the rectangular hole in the front wheel.



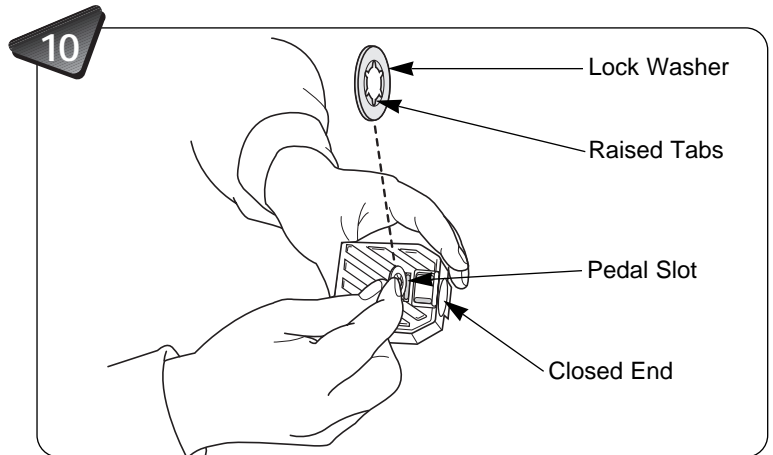
- Push the pedal hubs in until they are flush with the surface of the front wheel.



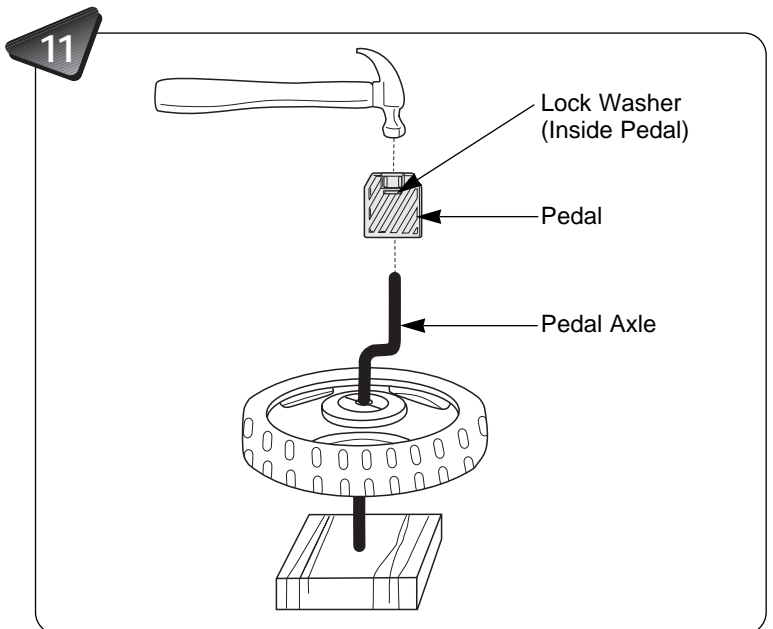
- Turn the front wheel assembly over.
- Insert a pedal hub on top of the pedal axle and into the rectangular hole in the front wheel.
- Insert the remaining pedal hub below the pedal axle and into the rectangular hole in the front wheel.



- Push the pedal hubs in until they are flush with the surface of the front wheel.



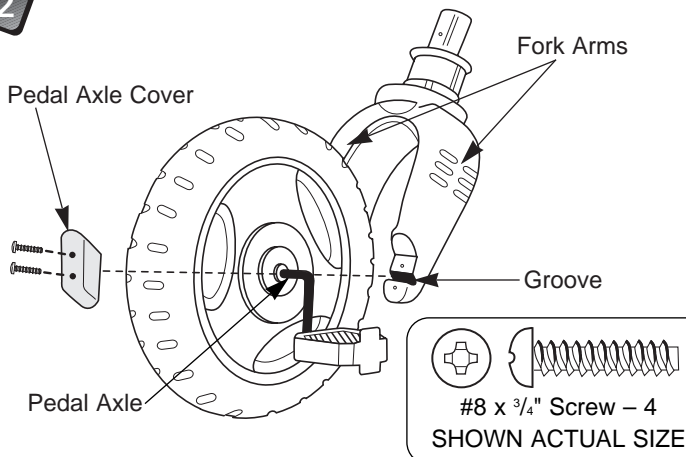
- Insert a lock washer into the pedal slot. Make sure the raised tabs on the lock washer are facing the closed or outside end of the pedal.
- Insert the other lock washer into the other pedal.



- Place a scrap block of wood under the front wheel assembly.
- Fit a pedal on the pedal axle.
- With the lock washer centered over the pedal axle end, tap the pedal with a hammer until it is secure.
- Repeat this procedure to attach the other pedal to the other end of the pedal axle.

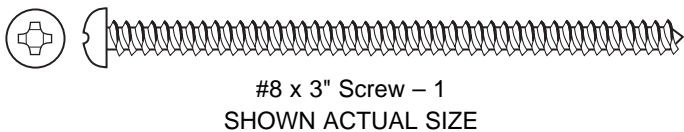
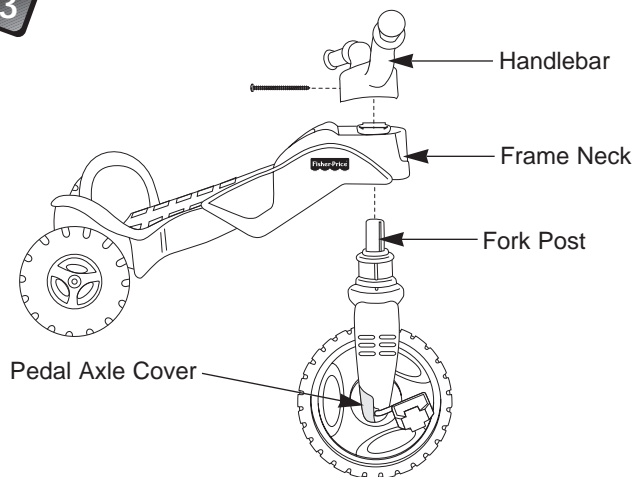
# Assembly

12



- Place the front wheel assembly between the fork arms so that the pedal axle fits into the groove at the bottom of each fork arm.
- Place a pedal axle cover over the pedal axle on one fork arm.
- Insert two #8 x 3/4" screws into the pedal axle cover and tighten with a Phillips screwdriver. Do not over-tighten.
- Repeat this procedure to attach the other pedal axle cover to the other fork arm.

13

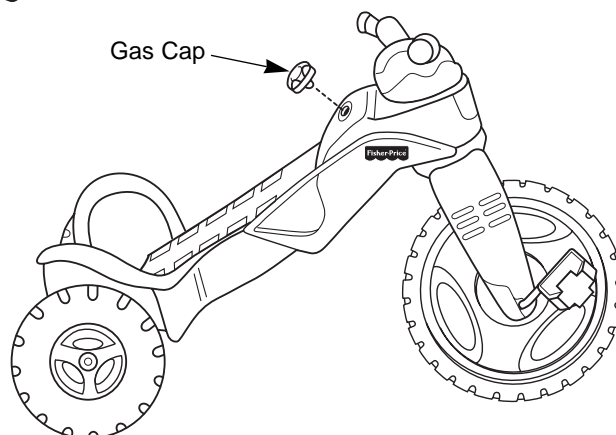


- Turn the frame upright.
- Insert the fork post up through the hole in the neck of the frame. Make sure the fork is positioned so that the pedal axle covers face the rear wheels.
- Place the handlebar over the fork post and push it down onto the frame. Make sure the handlebar is positioned so that the screw hole faces the rear wheels and aligns with the screw hole in the fork post.

**Helpful Hint:** You may need to rotate the handlebar to align the holes.

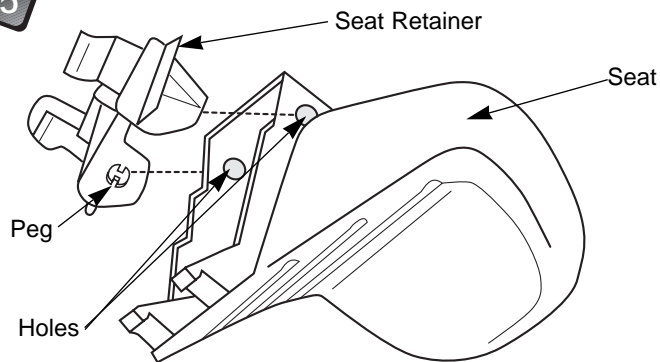
- Insert the #8 x 3" screw into the hole and tighten with a Phillips screwdriver. Do not over-tighten.

14



- Insert and snap the gas cap into the hole in the frame.

15

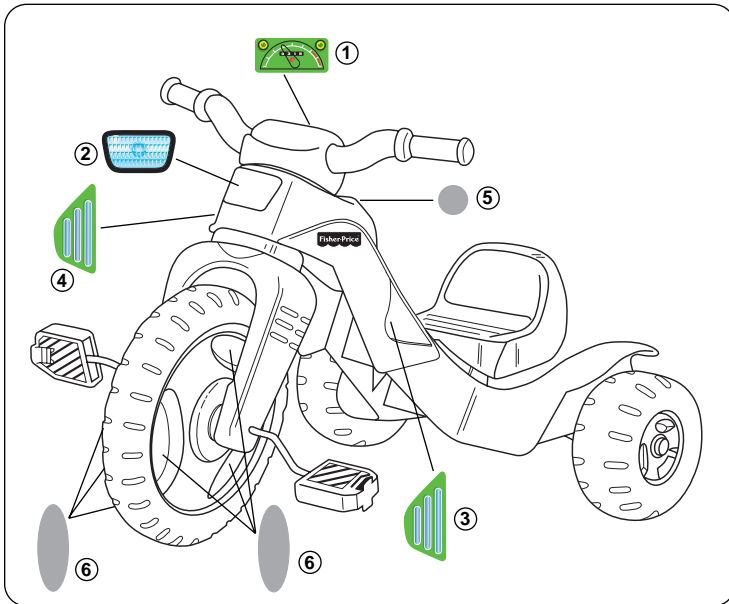


- Position the seat upside down.
- Fit the small pegs on the seat retainer into the holes in the seat.

**One-time assembly is now complete.**



## Label Decoration

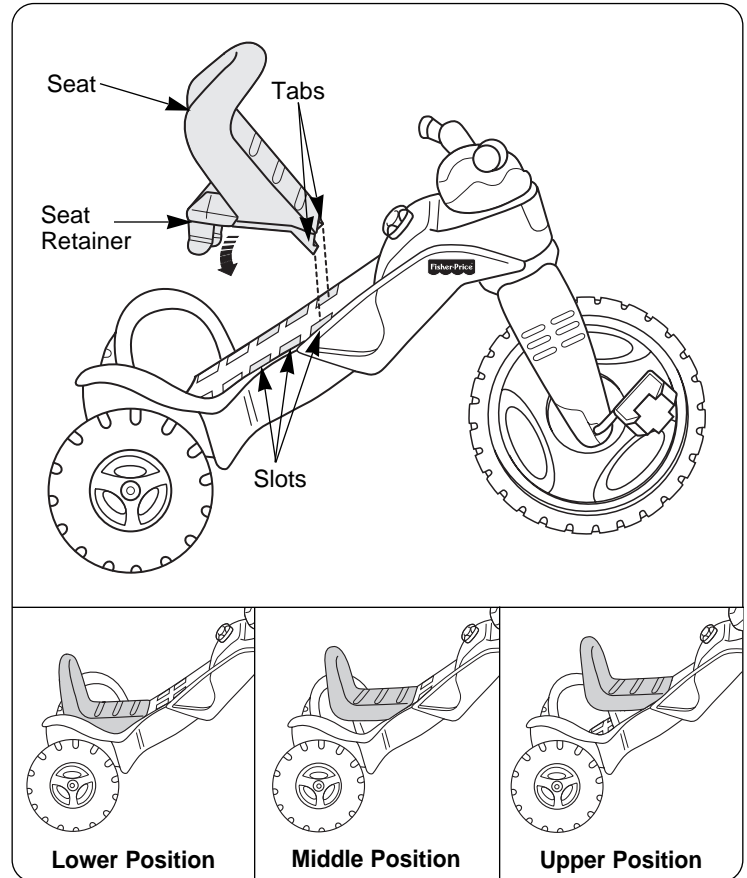


Proper label application will help to keep the labels looking their best!

- Wash your hands before applying the labels.
- Make sure the areas where the labels will be applied are clean and dry. Wipe your vehicle with a clean, soft, dry cloth to remove any dust or oils.
- For best results, avoid applying a label more than once.
- Apply the labels as shown in the illustration above.
- After applying a label, rub the label firmly with a cloth to make sure the label is adhered to your vehicle.

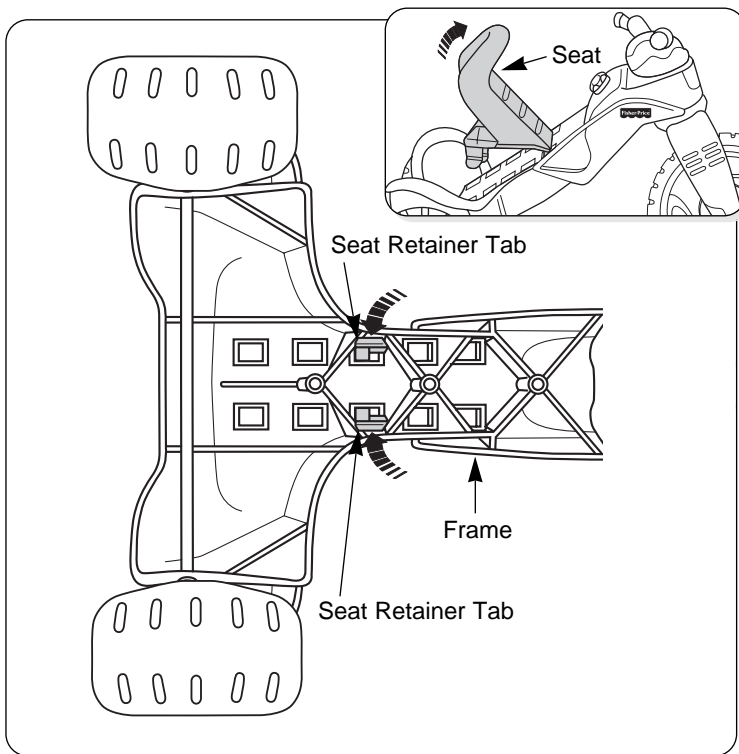
## Attaching the Seat

**Helpful Hint:** The seat can be attached to the frame in any of three positions, depending on the size of your child. Check your child's fit on the Grow-With-Me Trike by observing the seat to pedal distance, as it is being ridden. If the pedals seem too far away or too close for your child, move the seat up or down.



- At an angle, insert the tabs on the seat into any of the top three sets of slots for the lower, middle or upper position.
- Lower the seat so that the seat retainer inserts and snaps into the slots in the frame.
- Pull up on the seat to be sure it is secure.

## Removing the Seat



- Turn the frame on it's side.
- Squeeze the seat retainer tabs toward one another and lift the seat from the frame.

## Maintenance

- Check the plastic parts regularly and if broken or cracked, dispose of them properly.
- Check all fasteners regularly to be sure they are tight. If the fasteners are not tight, tighten them as necessary.
- To clean the Grow-With-Me Trike, use a mild soap and water solution and a clean cloth. Rinse clean with water to remove soap residue.

If you have any questions about this product:

**In Canada**, call **1-800-567-7724**, or write to: Mattel Canada Inc, 6155 Freemont Blvd., Mississauga, Ontario L5R 3W2.

**In Great Britain**, telephone 01628 500302.

**In Australia**, Mattel Australia Pty. Ltd., 658 Church Street, Locked Bag #870, Richmond, Victoria 3121 Australia. Consumer Advisory Service 1-800-800-812 (valid only in Australia).



## Free Manuals Download Website

<http://myh66.com>

<http://usermanuals.us>

<http://www.somanuals.com>

<http://www.4manuals.cc>

<http://www.manual-lib.com>

<http://www.404manual.com>

<http://www.luxmanual.com>

<http://aubethermostatmanual.com>

Golf course search by state

<http://golfingnear.com>

Email search by domain

<http://emailbydomain.com>

Auto manuals search

<http://auto.somanuals.com>

TV manuals search

<http://tv.somanuals.com>