

Fisher-Price®

V6892



Please keep this instruction sheet for future reference, as it contains important information.

Adult assembly is required.

No tools required for assembly.

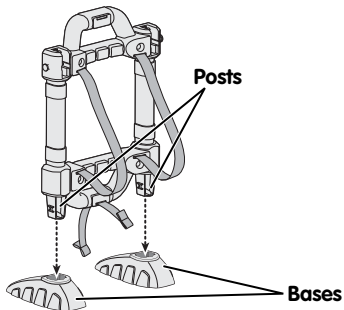
Before use, thoroughly wash all parts that may contact food.

www.fisher-price.com

Download from Www.Somanuals.com. All Manuals Search And Download.

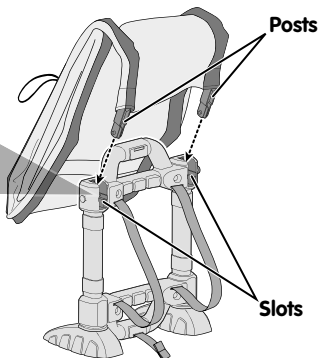
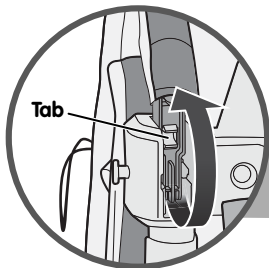
One-Time Assembly

1



- Fit the frame posts into the sockets in the bases. Push to **“snap”** in place.

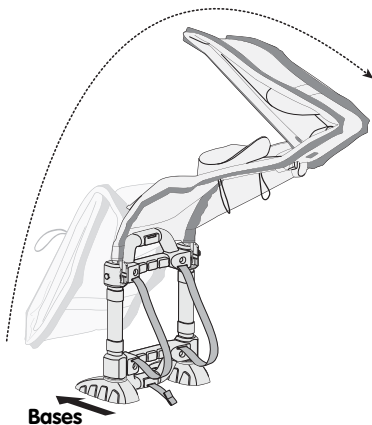
Hint: The frame posts are designed to fit into the bases one way. If they do not seem to fit, turn the frame around and try again.



2

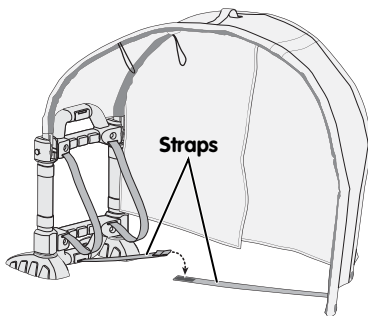
- At an angle, fit the posts on the fabric into the slots in the top of the frame.
- Lift the posts to **“snap”** in place.

Tent Setup



- Unfold the fabric.

Hint: Make sure the longer end of the bases face the opposite direction of the unfolding fabric.



- Fasten the straps.



CONSUMER ASSISTANCE

1-800-432-5437 (US & Canada)

1300 135 312 (Australia)

 service.fisher-price.com

Fisher-Price, Inc., 636 Girard Avenue, East Aurora, NY 14052.

Hearing-impaired consumers: 1-800-382-7470.

Outside the United States:

Canada: Mattel Canada Inc., 6155 Freemont Blvd.,
Mississauga, Ontario L5R 3W2; www.service.mattel.com.

Great Britain: Mattel UK Ltd, Vanwall Business Park,
Maidenhead SL6 4UB. Helpline: 01628 500303.
www.service.mattel.com/uk

Mattel Europa, B.V., Gondel 1, 1186 MJ Amstelveen, Nederland.

Australia: Mattel Australia Pty. Ltd., 658 Church Street,
Locked Bag #870, Richmond, Victoria 3121 Australia.

New Zealand: 16-18 William Pickering Drive,
Albany 1331, Auckland.

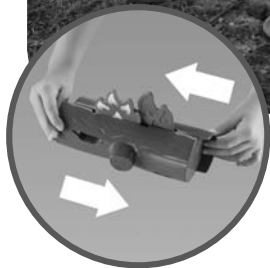
Care

- Periodically, check the plastic parts and if broken or cracked, dispose of them properly.
- To clean, surface wash with a clean, damp cloth.

Fisher-Price, Inc., a subsidiary of Mattel, Inc., East Aurora, NY 14052 U.S.A.

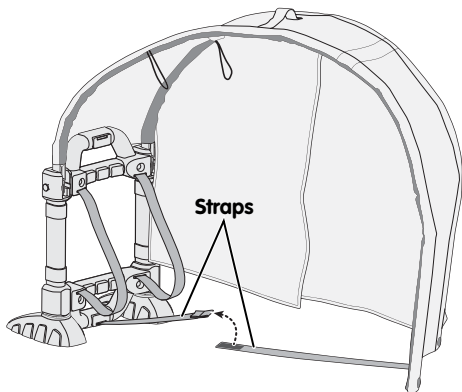
©2010 Mattel, Inc. All Rights Reserved. © and ™ designate U.S. trademarks of Mattel, Inc.

Camping Fun!



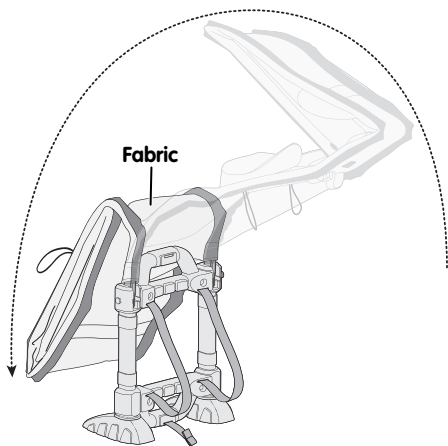
- Push and pull on the log to pop up the campfire.
- Put the marshmallows or hot dog on a stick to "roast" them!

Backpack Setup/Storage



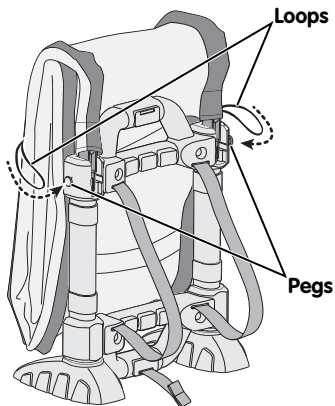
1

- Unfasten the straps.



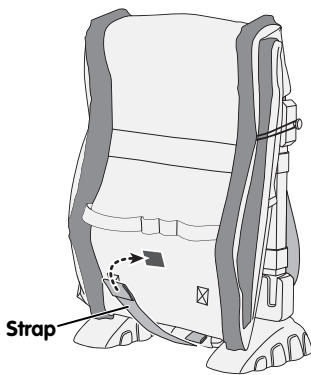
2

- Lift and fold the fabric.



3

- Locate the loops on each side of the fabric. Fit the loops onto the pegs on each side of the frame.



4

- Fasten the end of the strap to the fabric, as shown.



5

- Store the pan, log and sticks in the loops on the fabric.

Free Manuals Download Website

<http://myh66.com>

<http://usermanuals.us>

<http://www.somanuals.com>

<http://www.4manuals.cc>

<http://www.manual-lib.com>

<http://www.404manual.com>

<http://www.luxmanual.com>

<http://aubethermostatmanual.com>

Golf course search by state

<http://golfingnear.com>

Email search by domain

<http://emailbydomain.com>

Auto manuals search

<http://auto.somanuals.com>

TV manuals search

<http://tv.somanuals.com>