

100 CVX

4" Polyglass woofer

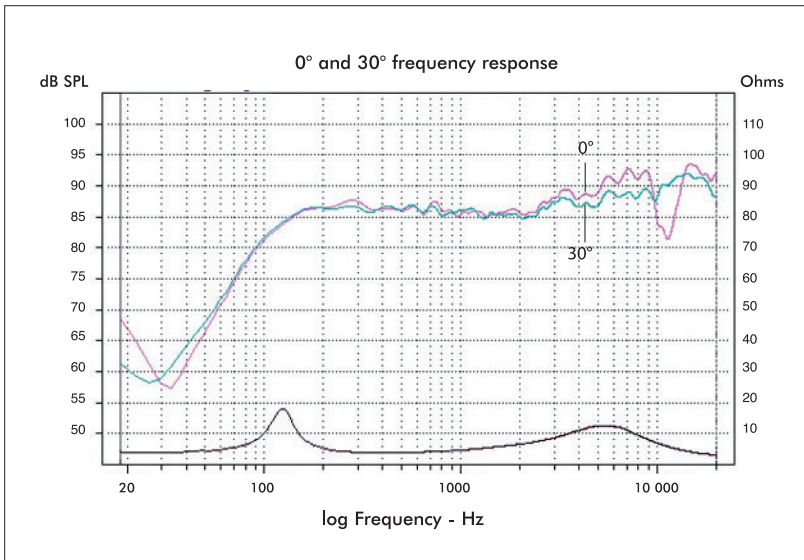
- Built-in audiophile crossover
- Polyglass cone
- Adjustable inverted dome tweeter



Specifications

Nominal power	50 W	
Maximum power	100 W	
Sensitivity	90 dB	
Cone	Polyglass	
Surround	Butyl	
Nom. impedance	4 ohms	
DC resistance (in parallel)	3.39 ohms	
VC diameter	25 mm	1 in
VC height	10 mm	3/8 in
Former	Kapton®	
Layers	2	
Wire	Copper	
Inductance	-	
Xmax	2.5 mm	1/8 in
Magnet (d x h)	72 x 15 mm	2-13/16x9/16 in
Magnet weight	0.25 kg	0.55 lb
Flux density	1T	
Gap height	5.5 mm	3/16 in
Net weight	0.5 kg	1.1 lb

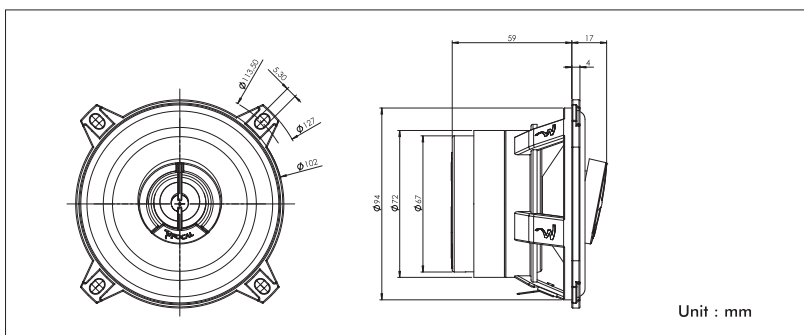
Frequency response / Impedance



Parameters

Fs	122.43 Hz
Vas	2.25 l
Qts	0.732
Qes	0.89
Qms	4.13
Re (in parallel)	3.39 ohms
Sd	78.54 cm ²
Cas	1.6E-08 m ⁵ /N
Mas	105.37 kg/m ⁴
Ras	19626.88 ohms.ac
Cms	2.6E-04 m/N
Mms	6.5 g
Rms	1,211 kg/s
Ces	341.29 mF
Les	4.95 mH
Res	15.73 ohms
Bl	4.36 N/A
SPL	85.8 dB/W/m

Mechanical Drawing



Suggested application

Load	V (l)	FB (Hz)	F-3 (Hz)	Q1
Sealed	30	-	118	0.8



Free Manuals Download Website

<http://myh66.com>

<http://usermanuals.us>

<http://www.somanuals.com>

<http://www.4manuals.cc>

<http://www.manual-lib.com>

<http://www.404manual.com>

<http://www.luxmanual.com>

<http://aubethermostatmanual.com>

Golf course search by state

<http://golfingnear.com>

Email search by domain

<http://emailbydomain.com>

Auto manuals search

<http://auto.somanuals.com>

TV manuals search

<http://tv.somanuals.com>