

100 VRS

4" Polyglass 2-way

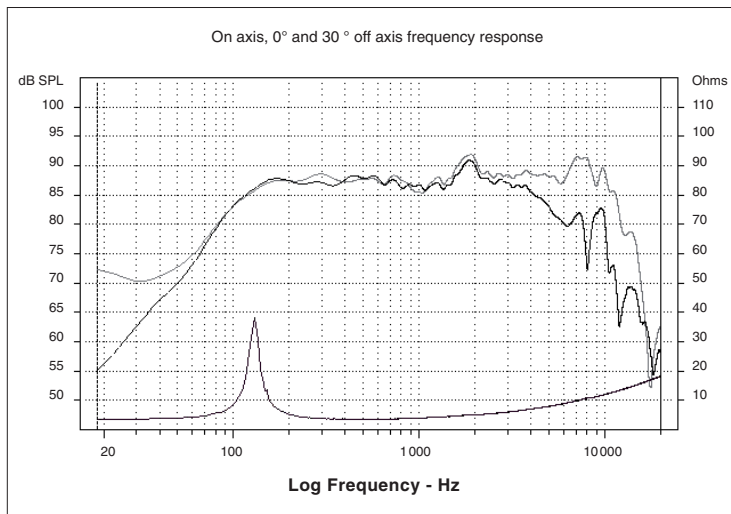
- Zamak chassis
- Polyglass cone, Butyl surround
- Neodymium magnet



Specifications

Nominal power	50 W	
Maximum power	100 W	
Sensitivity	91 dB	
Cone	Polyglass	
Surround	Butyl	
Nom. impedance	4 ohms	
DC resistance	3.2 ohms	
VC diameter	25 mm	
VC height	8 mm	
Former	Kapton	
Layers	2	
Wire	Copper	
Inductance	0.2 mH	
Xmax	2 mm	
Magnet d x h	-	
Magnet weight	-	
Flux density	1.1 T	
Gap height	3 mm	
Net weight	350 g	0.77 lb

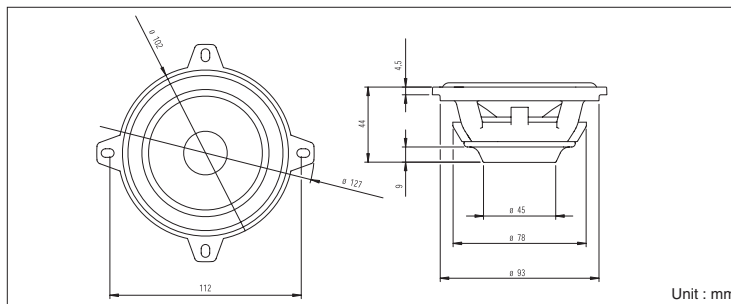
Frequency response / Impedance



Parameters

Fs	117.66 Hz	
Vas	1.43 l	0.05 Ft ³
Qts	0.811	
Qes	0.880	
Qms	10.410	
Re	3.55 ohms	
Sd	52.81 cm ²	8.18 in ²
Cas	1.02E-08 m ⁵ /N	
Mas	179.28 kg/m ⁴	
Ras	12731.89 ohms.ac	
Cms	3.66E-04 m/N	
Mms	5.00 g	0.01 lb
Rms	0.355 Kg/s	
Ces	335.31 mF	
Les	5.46 mH	
Res	41.99 ohms	
Bl	3.86 N/A	
SPL	86.08 dB/W/m	

Mechanical Drawing



Suggested application

Load	V (l)	Fb (Hz)	F-3 (Hz)	Ql
Sealed	30	-	105	7



FOCAL
THE SPIRIT OF SOUND

Focal® is a trademark of Focal-JMlab® - BP 374 - 108, rue de l'Avenir - 42353 La Talaudière cedex France - Tel. 33 00 4 77 43 57 00 - Fax 33 00 4 77 37 65 87 - www.focal-fr.com - SCFR070418/1

Free Manuals Download Website

<http://myh66.com>

<http://usermanuals.us>

<http://www.somanuals.com>

<http://www.4manuals.cc>

<http://www.manual-lib.com>

<http://www.404manual.com>

<http://www.luxmanual.com>

<http://aubethermostatmanual.com>

Golf course search by state

<http://golfingnear.com>

Email search by domain

<http://emailbydomain.com>

Auto manuals search

<http://auto.somanuals.com>

TV manuals search

<http://tv.somanuals.com>