

5 KP (130 KR WOOFER KIT)

5''K2 Power® woofer

- High power handling
- Zamak basket
- Acoustically transparent dust cap



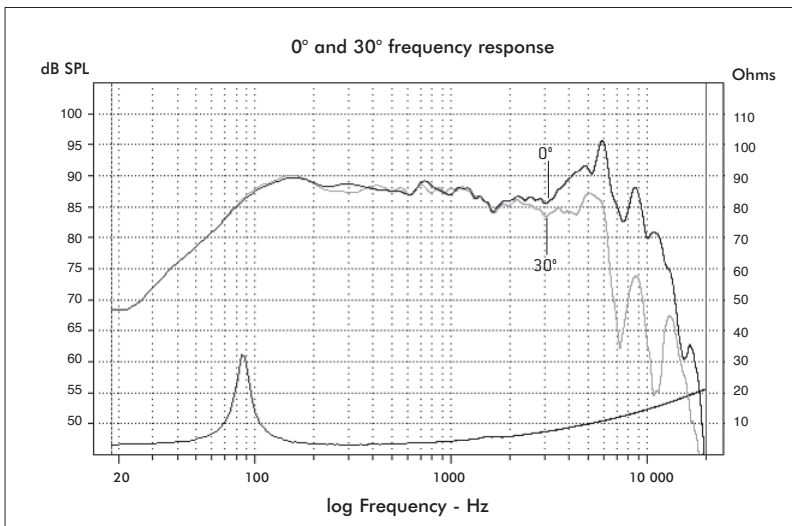
Specifications

Nominal power	70 W	
Maximum power	140 W	
Sensitivity	90 dB	
Cone	K2 Composite Sandwich®	
Surround	Butyl	
Nom. impedance	4 ohms	
DC resistance	3.2 ohms	
VC diameter	25 mm	0.98 in
VC height	10 mm	0.40 in
Former	Kapton®	
Layers	2	
Wire	Copper	
Inductance	0,45 mH	
Xmax	2.5 mm	0.10 in
Magnet (d x h)	85 x 15 mm	3.34 x 0.60 in
Magnet weight	361 g	0.80 lb
Flux density	0.9 T	
Gap height	5 mm	0.20 in
Net weight	0.75 kg	1.65 lb

Parameters

Fs	88.64 Hz
Vas	4.93 l
Qts	0.678
Qes	0.74
Qms	8.06
Re (in parallel)	3.2 ohms
Sd	86.59 cm ²
Cas	3.51E-08 m ⁵ /N
Mas	110.97 kg/m ⁴
Ras	6975.6 ohms.ac
Cms	4.68E-4 m/N
Mms	8.32 g
Rms	523 g/s
Ces	456.41 mF
Les	8.53 mH
Res	34.85 ohms
Bl	4.27 N/A
SPL	87.27 dB/W/m

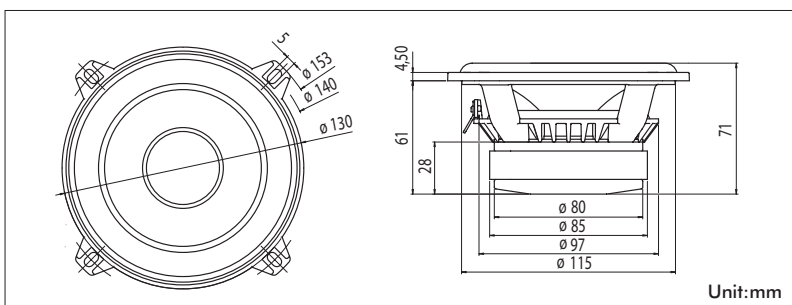
Frequency response / Impedance



Suggested application

Load	V (l)	FB (Hz)	F-3 (Hz)	Q1
Sealed	30	-	84	7

Mechanical Drawing



Focal® is a trademark of Focal-JMlab® - BP 374 - 108, rue de l'Avenir - 42353 La Talaudière cedex France - Tel. 33 00 4 77 43 57 00 - Fax 33 00 4 77 37 65 87 - www.focal-fr.com - SCAZ071127/1

Free Manuals Download Website

<http://myh66.com>

<http://usermanuals.us>

<http://www.somanuals.com>

<http://www.4manuals.cc>

<http://www.manual-lib.com>

<http://www.404manual.com>

<http://www.luxmanual.com>

<http://aubethermostatmanual.com>

Golf course search by state

<http://golfingnear.com>

Email search by domain

<http://emailbydomain.com>

Auto manuals search

<http://auto.somanuals.com>

TV manuals search

<http://tv.somanuals.com>