

# 6 KPS (165 KR WOOFER KIT)

6'' K2 Power® woofer

- High power handling
- Zamak basket
- K2 composite sandwich cone



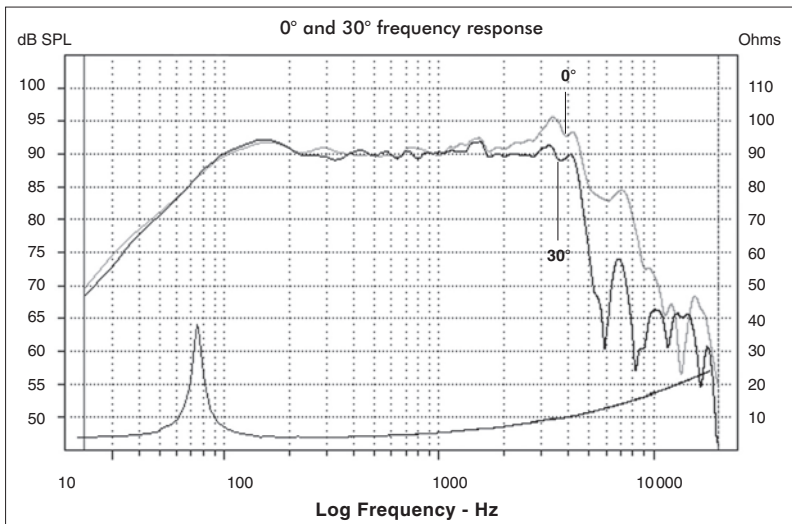
## Specifications

Nominal power	80W	
Maximum power	160W	
Sensitivity	91dB	
Cone	K2 Composite Sandwich®	
Surround	Butyl	
Nom. impedance	4 ohms	
DC resistance	3 ohms	
VC diameter	25 mm	0.98 in
VC height	15 mm	0.59 in
Former	Kapton®	
Layers	2	
Wire	Copper	
Inductance	0.57 mH	
Xmax	5 mm	0.20 in
Magnet d x h	85 x 15 mm	3.35 x 0.59 in
Magnet weight	750 g	1.65 lb
Flux density	1 T	
Gap height	5 mm	0.20 in
Net weight	1.15 kg	2.53 lb

## Parameters

Fs	73.05 Hz
Vas	7.71 l
Qts	0.74
Qes	0.81
Qms	9.01
Re	3 ohms
Sd	132.73 cm <sup>2</sup>
Cas	5.49E-08 m <sup>5</sup> /N
Mas	86.5 kg/m <sup>4</sup>
Ras	4406.64 ohms.ac
Cms	3.11E-4 m/N
Mms	15.24 g
Rms	776 g/s
Ces	588.25 mF
Les	8.07 mH
Res	33.37 ohms
Bl	5.09 N/A
SPL	87.53 dB/W/m

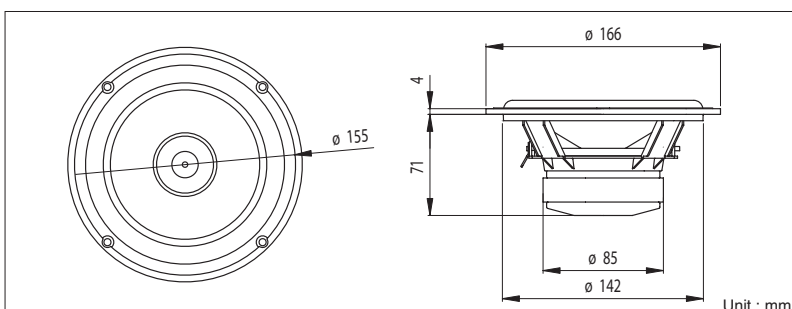
## Frequency Response / Impedance



## Suggested application

Load	V (l)	Fb (Hz)	F-3 (Hz)	Ql
Sealed	30	-	71.3	0.83

## Mechanical Drawing



Focal® is a trademark of Focal-JMLab® - BP 374 - 108, rue de l'Avenir - 42353 La Taubaudière cedex France - Tél. (33) 04 77 43 57 00 - Fax (33) 04 77 37 65 87 - www.focal-fr.com - SCAZ051126/1



**FOCAL**  
THE SPIRIT OF SOUND

## Free Manuals Download Website

<http://myh66.com>

<http://usermanuals.us>

<http://www.somanuals.com>

<http://www.4manuals.cc>

<http://www.manual-lib.com>

<http://www.404manual.com>

<http://www.luxmanual.com>

<http://aubethermostatmanual.com>

Golf course search by state

<http://golfingnear.com>

Email search by domain

<http://emailbydomain.com>

Auto manuals search

<http://auto.somanuals.com>

TV manuals search

<http://tv.somanuals.com>