

21 WX Be

8" Utopia Be® subwoofer



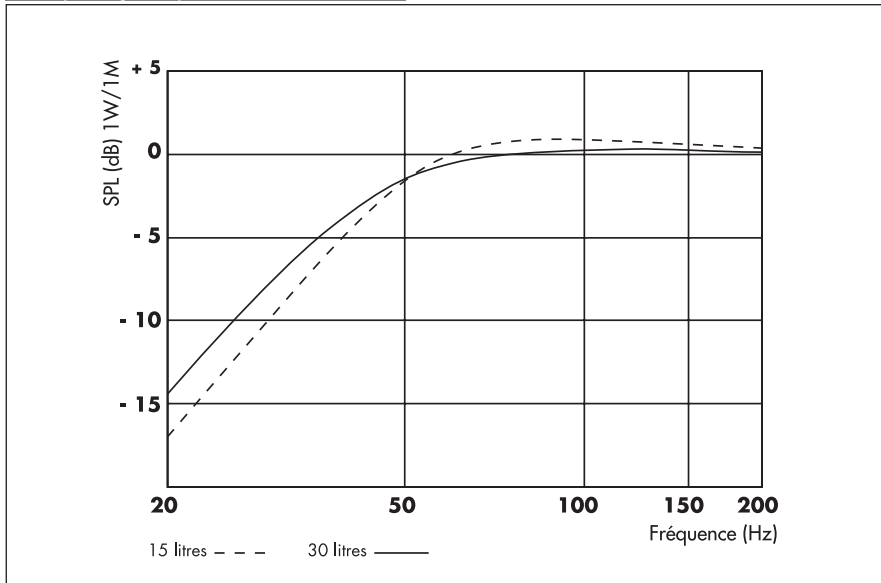
- Multiferrite magnet
- W cone
- For compact closed box
- High power handling



Specifications

| | | |
|-----------------------|----------|--------------|
| Nominal power | 250 W | |
| Maximum power | 500 W | |
| Sensitivity (2.83V/m) | 86.5 dB | |
| Cone | W | |
| Surround | Rubber | |
| Nom. impedance | 4 ohm | |
| DC resistance | 3.4 ohm | |
| VC diameter | 50 mm | 2 in |
| VC height | 25 mm | 1 in |
| Former | Aluminum | |
| Layers | 2 | |
| Wire | Copper | |
| Inductance | 1.13 mH | |
| Xmax | 8.5 mm | 0.33 in |
| Magnet (12 units) | 15x45 mm | 0.6 x 1.8 in |
| Magnet weight | 1.3 kg | 2.9 lbs |
| Flux density | 0.85 T | |
| Gap height | 8 mm | 0.31 in |
| Net weight | 4 kg | 8.8 lbs |

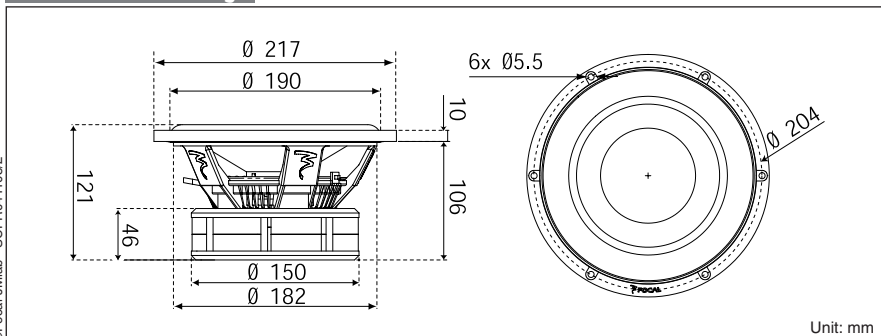
Frequency Response



Parameters

| | | | |
|-----|----------------------------|--|--|
| Fs | 36.63 Hz | | |
| Vas | 18.8 l | | |
| Qts | 0.6 | | |
| Qes | 0.77 | | |
| Qms | 2.81 | | |
| Re | 3.4 ohm | | |
| Sd | 208.67 cm ² | | |
| Cas | 1.34E-07 m ⁵ /N | | |
| Mas | 141.01 kg/m ⁴ | | |
| Ras | 11549.11 ohm.ac | | |
| Cms | 3.07E-04 m/N | | |
| Mms | 61.4 g | | |
| Rms | 5.029 kg/s | | |
| Ces | 984 mF | | |
| Les | 19.19 mH | | |
| Res | 12.41 ohm | | |
| BI | 7.9 N/A | | |
| SPL | 82.63 dB/W/m | | |

Mechanical Drawing



Suggested application

| Load | V (l) | Fb (Hz) | F-3 (Hz) | Ql |
|--------|-------|---------|----------|-------|
| Sealed | 30 | - | 43 | 0.77 |
| Sealed | 15 | - | 45 | 0.907 |

Focal® is a trademark of Focal-JMLab®

108, rue de l'Avenir - BP 374 - 42353 La Talaudière cedex - France - Tel. +33 4 77 43 57 00 - Fax +33 4 77 43 57 04 - www.focal-fr.com

Free Manuals Download Website

<http://myh66.com>

<http://usermanuals.us>

<http://www.somanuals.com>

<http://www.4manuals.cc>

<http://www.manual-lib.com>

<http://www.404manual.com>

<http://www.luxmanual.com>

<http://aubethermostatmanual.com>

Golf course search by state

<http://golfingnear.com>

Email search by domain

<http://emailbydomain.com>

Auto manuals search

<http://auto.somanuals.com>

TV manuals search

<http://tv.somanuals.com>