

6 BombA 27 V1 User Manual

Congratulations on choosing Focal automobile speakers.

To gain the best results from your speakers, please ensure you follow these recommendations, and keep carefully this user manual so that you can consult it later. If not followed correctly any fault observed may not be covered by the guarantee.

Precautions

For the subwoofer to perform at its best, we recommend to use it in a location where temperature doesn't go below 5°C.

- The location must also be dry and offer adequate ventilation.
- The supply voltage requirement is 12V_{DC} (13.8V_{DC}) with the negative connection grounded. Please make sure that the characteristics of your vehicle correspond with this requirement before connecting the equipment.
- For safe driving, we recommend that you operate your sound equipment at a listening level that does not conceal traffic noise.

Warning!

The performance of the Focal BombA 27 V1 allows high sound pressure levels to be generated. We remind you that sustained listening beyond 110dB SPL can permanently and irreversibly damage your hearing. We recommend that you adjust the level of your equipment correspondingly.

For safety reasons, it is essential that you securely fix the subwoofer enclosure in the boot (make sure you do not drill through the petrol tank if you fix it with screws).

Mounting kit included:

- 2 x nylon straps
- 4 x metal roll bar
- 8 x fixing screws
- 1 x template

THE FOCAL GUARANTEE ONLY APPLIES IF PAGE 11 IS RETURNED TO US WITHIN 10 DAYS OF PURCHASE.

7 **BombA 27 V1 User Manual**

Mounting

A power supply kit dedicated to the BombA cabling will shortly be available at your supply.

- Unplug the «+» from the battery
- Make sure you follow the car manufacturer instructions (airbag, alarm system, computer, immobiliser ...).
- Always use battery lead connections.

Cable routing

The 12V supply cables should be passed down one side of the vehicle and the signal cables down the other. These cables must be suitably protected to avoid any damage to the insulation, especially when feeding the cable through from the engine compartment to the passenger cabin.

Power supply ⑦

(+) The 12V cable must be connected to the battery with a cable of appropriate quality and size, 8mm² (7AWG) . Protect the installation with a 30A fuse on this cable fitted less than 40cm (16") away from the battery.

(-) The ground wire must be connected to the chassis of your vehicle with a perfect electrical connection (remove some paint to reveal bare metal if necessary) and with a cable of the same specification as used for the + feed.

Connect the remote cable to the electrical aerial output or to the remote output of your radio.

Low level input (RCA) ①

Connect to the RCA output of the radio

High-level input ②

Connect to the loudspeaker outputs of the radio.

Never connect the RCA and the high-level inputs together.

Adjusting the Volume ③

The volume setting allows you to match the level of the BombA with the level of the front system.

Setting: - Turn the gain on the BombA down completely

- Turn the radio up to a normal listening level.

- Turn the gain ③ up on the BombA until you get the required balance.

Bass-boost ④

3 settings: -Classic

- Techno

- Pop

Note that these settings should be used together with the level adjustment.

Phase inverter ⑤

It allows you to phase the subwoofer (generally advised) or unphase it.
The right setting is determined by listening and finding the one (matching with the front system) that provides the most bass.

Adjustable cut-off frequency ⑥

An electronic crossover removes medium and high frequencies beyond a point set by the user. The ideal is to extend the bass frequencies in an even and continuous manner from where the front system rolls off. In general, a cut-off frequency located between 80 and 100Hz should be suitable for most systems. This setting becomes more critical when the BombA is used within a high-end hi-fi system. The ideal cut-off frequency will only be found after extensive listening to a wide range of musical.

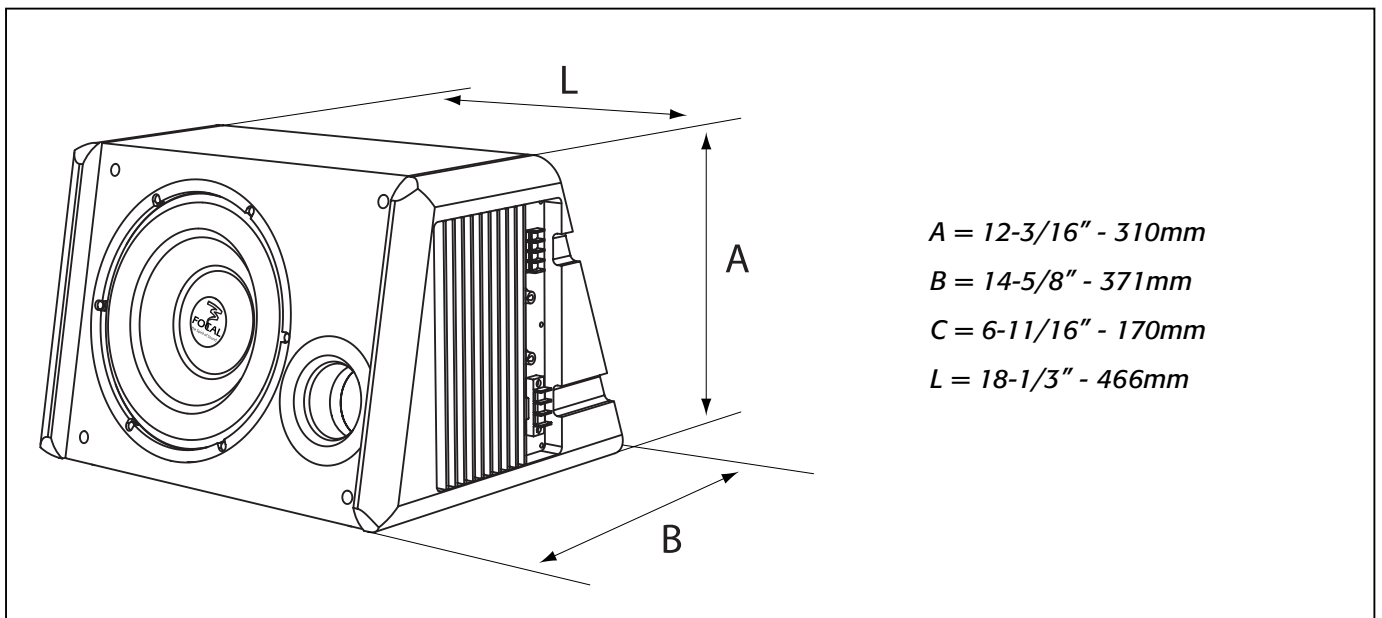
Warning! Very few recordings possess real bass frequencies. Bass notes such as those found in Rock, Techno, Ragga music etc. are rarely located within the extreme bass area, but more likely in the high bass band.

As a consequence, it is recommended to select a cut-off frequency between 100 and 120Hz for these styles of music. However, you may prefer a lower cut-off frequency for classical music.

It is possible to set the cut-off frequency anywhere between 40 and 160Hz
This adjustment should be made in reference to the listening position and with your preferred type of music.

For a more precise adjustment, your retailer may use an analyzer (RTA).

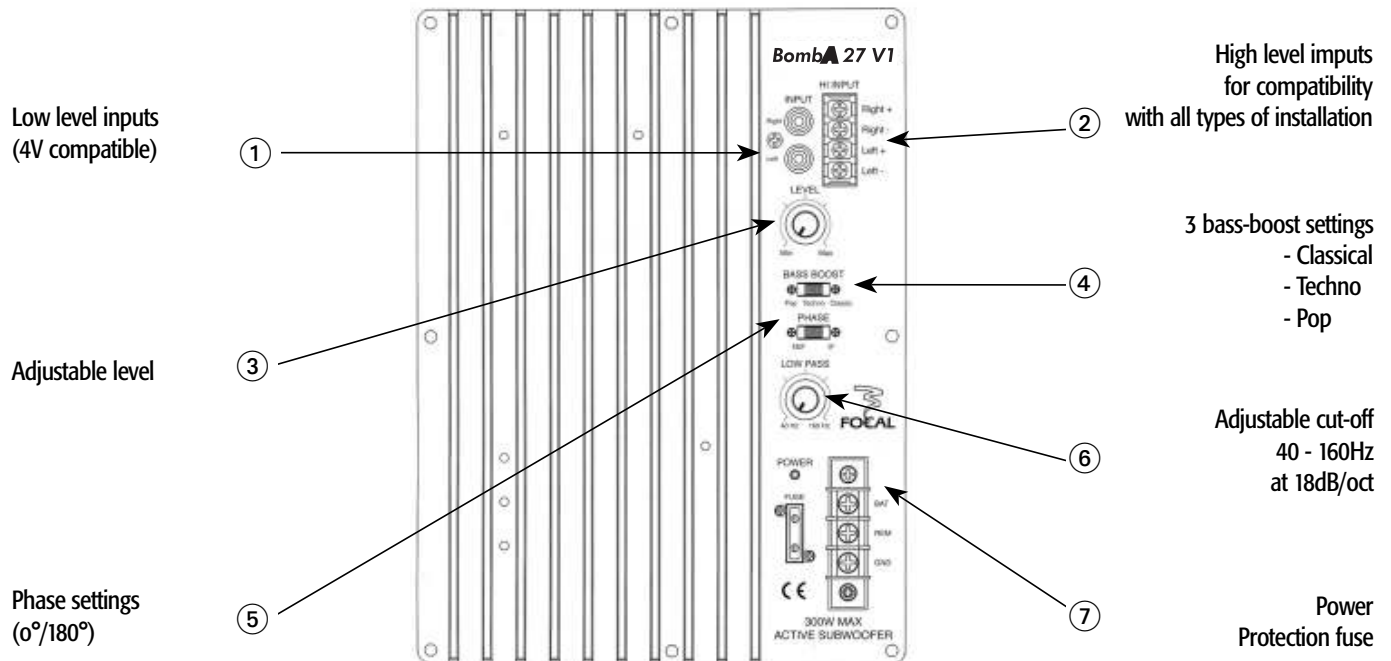
Dimensions :



9 BombA 27 V1 User Manual

Amplifier setting and connections

+ SPL + Extreme Bass + Quality ...



Integrated Subsonic Filter 24dB/oct

guide

Issue	Cause	Solution
Can't switch on the BombA	No +12V on the supply Ground not properly connected Fuse broken	Check connections to battery Check connection Change fuse
The BombA is on, but no signal	No signal No remote Level control ineffective	Check signal cable Check power on the remote Turn up the volume on the source.
Output distorted	Source level too high Gain of the amplifier too high	Turn down the source level Turn down the gain of the amplifier
Fuses blown	Output levels too high	Turn the volume down

Tecnical specifications

	BombA 27 V1
Subwoofer	27cm (11")
Height	310mm (12-3/16")
Base width	371mm (14-5/8")
Lenght	466mm (18-1/3")
Built-in amplifier	150 Wrms / 300W max.
Frequency response	36Hz-160Hz

Guarantee

All Focal loudspeakers are covered by guarantee drawn up by the official Focal distributor in your country.

Your distributor can provide all details concerning the conditions of guarantee. Guarantee cover extends at least to that granted by the legal guarantee in force in the country where the original purchase invoice was issued.



Focal® is a trademark of Focal-JMlab®

BP 374 - 108, rue de l'Avenir - 42353 La Talaudière cedex - France - www.focal-fr.com
Tél. 00 33 4 77 43 57 00 - Fax 00 33 04 77 37 65 87

Due to constant technological advances, Focal reserves its right to modify specifications without notice. Images may not conform exactly to specific product. ©Focal-JMlab

Free Manuals Download Website

<http://myh66.com>

<http://usermanuals.us>

<http://www.somanuals.com>

<http://www.4manuals.cc>

<http://www.manual-lib.com>

<http://www.404manual.com>

<http://www.luxmanual.com>

<http://aubethermostatmanual.com>

Golf course search by state

<http://golfingnear.com>

Email search by domain

<http://emailbydomain.com>

Auto manuals search

<http://auto.somanuals.com>

TV manuals search

<http://tv.somanuals.com>