

33 V1

330mm (13") Polyglass subwoofer



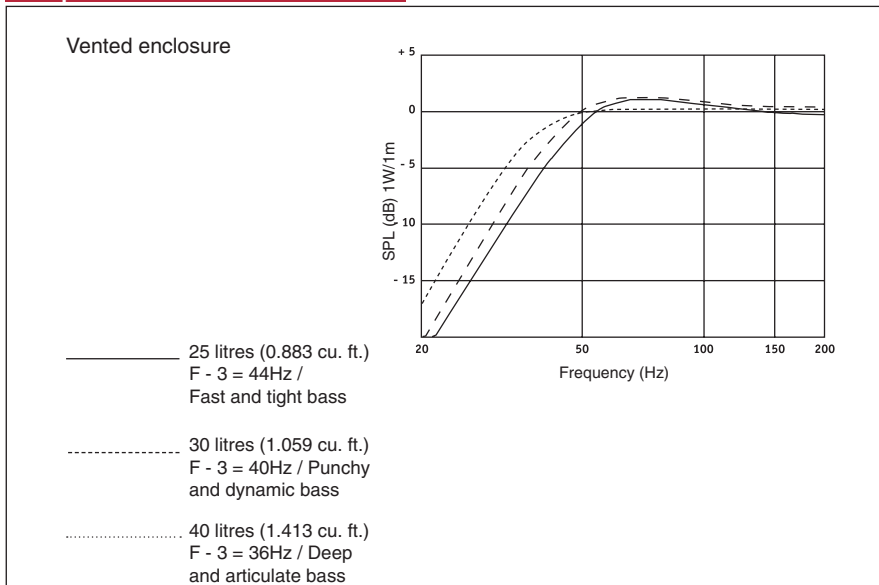
- 65mm / 4 layers voice-coil
- Polyglass cone
- Zamak basket



Specifications

Nominal power	400 W	
Maximum power	800 W	
Sensitivity (2.83V/m)	92 dB	
Cone	Polyglass	
Surround	Butyl	
Nom. impedance	4 ohm	
DC resistance	3.3 ohm	
VC diameter	65 mm	2 ^{1/2} in
VC height	25.8 mm	1 in
Former	Aluminum	
Layers	4	
Wire	Copper	
Inductance	2.4 mH	
Xmax	7.5 mm	5/16 in
Magnet (hxd)	156 x 25 mm	6 ^{1/6} x 1 in
Magnet weight	1412 g	3.11 lb
Flux density	0.7 T	
Gap height	10 mm	5/12 in
Net weight	6.95 kg	15.32 lb

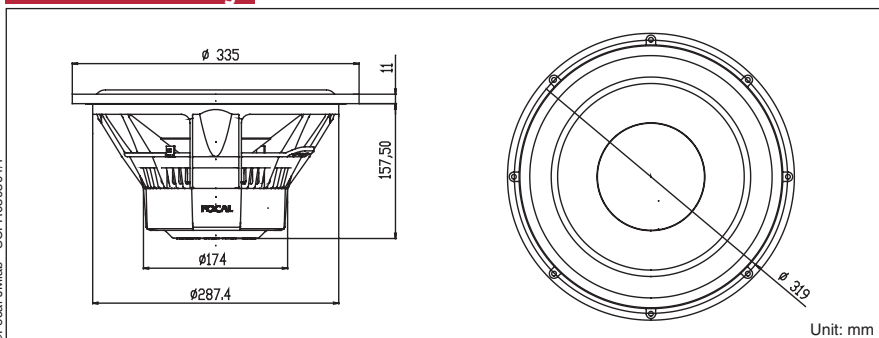
Response curve



Parameters

Fs	25.25 Hz	
Vas	91.79 l	3.24 Ft ³
Qts	0.326	
Qes	0.360	
Qms	3.44	
Re	3.34 ohm	
Sd	530.93 cm ²	82 ^{1/3} in ²
Cas	6.54E-07 m ⁵ /N	
Mas	60.79 kg/m ⁴	
Ras	2803.62 ohm.ac	
Cms	2.32E-04 m/N	
Mms	171.36 g	0.38 lb
Rms	7.903 kg/s	
Ces	679.38 mF	
Les	58.48 mH	
Res	31.92 ohm	
Bl	15.88 N/A	
SPL	88 dB/W/m	

Mechanical Drawing



Suggested application

Load	Vol	Fb	F-3 (Hz)	Ql
Vented	25 l	41	44	7
Vented	30 l	37	40	7
Vented	40 l	32	36	7

Focal® is a trademark of Focal-JMLab®

108, rue de l'Avenir - BP 374 - 42353 La Talaudière cedex - France - Tel. 00 33 4 77 43 57 00 - Fax 00 33 4 77 43 57 04 - www.focal-fr.com

Free Manuals Download Website

<http://myh66.com>

<http://usermanuals.us>

<http://www.somanuals.com>

<http://www.4manuals.cc>

<http://www.manual-lib.com>

<http://www.404manual.com>

<http://www.luxmanual.com>

<http://aubethermostatmanual.com>

Golf course search by state

<http://golfingnear.com>

Email search by domain

<http://emailbydomain.com>

Auto manuals search

<http://auto.somanuals.com>

TV manuals search

<http://tv.somanuals.com>