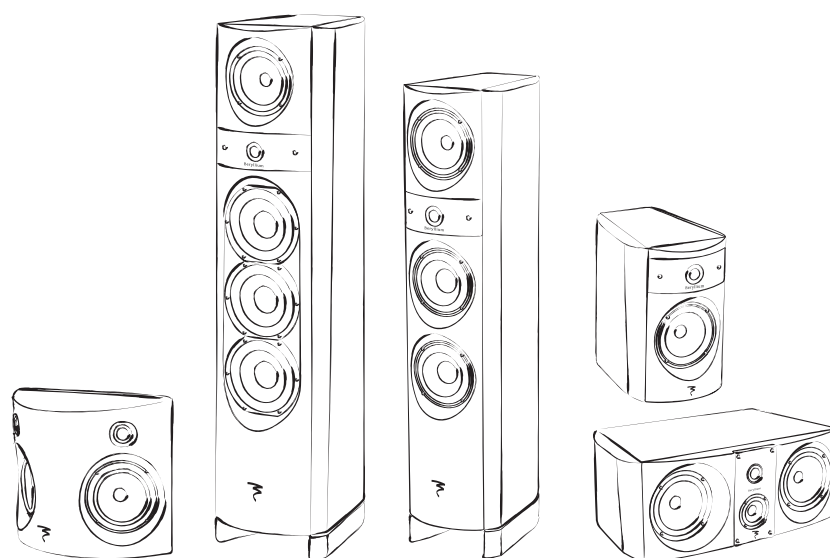


ELECTRA BERYLLIUM 1000 Be

User manual



Français page 13

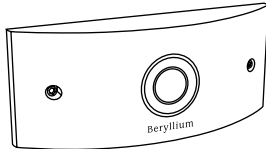


CE

Focal-JMLab® - BP 374 - 108, rue de l'Avenir - 42353 La Talaudière cedex - France - www.focal-fr.com
Tel. (+33) 04 77 43 57 00 - Fax (+33) 04 77 43 57 04

Due to constant technological advances, Focal reserves its right to modify specifications without notice. Images may not conform exactly to specific product.

ELECTRA 1000 Be USER MANUAL



Thank you for choosing the Electra 1000 Be loudspeakers. We are pleased to share with you our philosophy: "the Spirit of Sound". These high performance speakers feature the latest technical developments from Focal in terms of speaker design, whether it is for high fidelity or home theater systems. In order to (make the most of these speakers) enjoy the maximum of their performance, we advise you to read this user's manual and to keep it carefully so that you can consult it later.

The Focal-JMLab guarantee only applies if the enclosed guarantee card is returned to us within 10 days of purchase.

Special precautions regarding the Beryllium dome tweeter

In its solid form, Beryllium is harmless. However, due to its nature, certain special precautions should be observed to avoid exposure to unnecessary risk.

- Under no circumstances should the Beryllium dome be subjected to any form of abrasive action. To ensure no accidental damage to the tweeter dome it is advised to carefully replace the magnetic protection grille.
- In the unlikely case of damage to the dome, of any form, the supplied piece of adhesive tape should be immediately used to seal the whole front surface of the tweeter. The protective cover should then be replaced and also taped securely in place. You should then inform the dealer from whom you purchased the product so that the tweeter can be removed by a professional and returned to the product distributor for replacement.

• If the dome is broken in any way giving rise to loose particles of Beryllium, these should be carefully collected with the use of an adhesive tape and sealed in a zip-top bag to be returned with the tweeter.

For further information, please contact Focal-JMLab directly: beryllium@focal-fr.com

User precautions

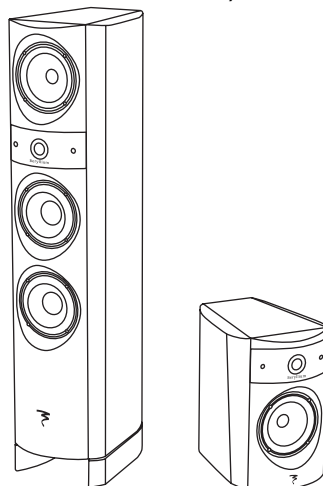
All the products in the Electra 1000 Be range are lacquered in order to offer a resistant cabinet surface and to make the upkeep easy. We recommend the use of a dry cloth to dust your pair of loudspeakers. If the loudspeaker is stained, then use a damp cloth.

Never use any solvents, detergents, alcohol or corrosive products, scrappers or scouring powder to clean the surface of the loudspeaker. Avoid placing the loudspeakers near a heat source.

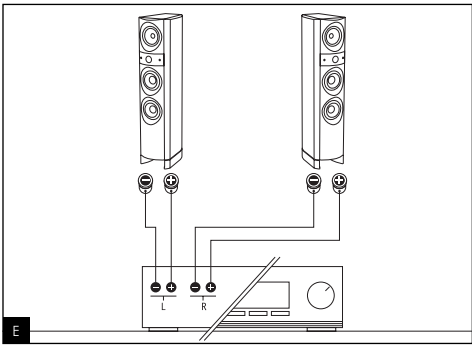
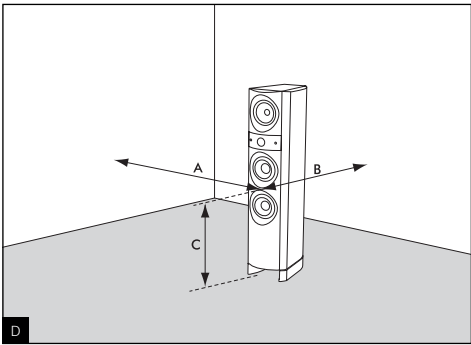
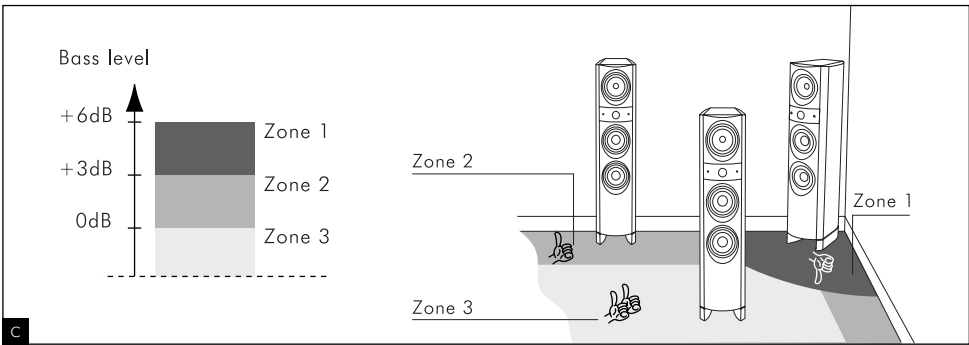
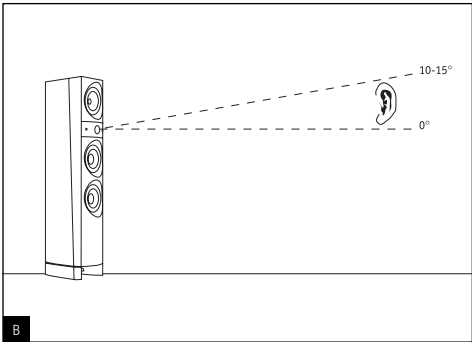
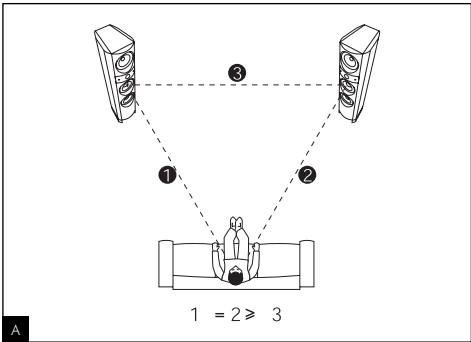
Running-in period

The drivers used in the loudspeaker are complex mechanical devices and require an run-in period before they deliver their best performance. They must get adapted to the temperature and humidity conditions of their environment. This breaking-in period depends on the encountered conditions and can last several weeks. In order to shorten this period, we advise you to let your loudspeakers operate for about twenty hours at medium level, playing standard musical programmes, but with a large amount of bass.

Once the components of the loudspeakers are completely stabilized, it is possible to enjoy the real performance of your loudspeakers.



INSTALLATION



INSTALLATION

Positioning

The loudspeakers have been engineered to deliver the most faithful sound reproduction, whether they are used for music or home cinema. In order to enhance their performance, to guarantee a high quality of listening, sound image and tone balance, it is important to note the following basic rules.

The listening area must be located at the summit of an equilateral triangle whose two other points of insertion are determined by the position of each speaker. Nevertheless it is possible to modify these distances to find an ideal compromise according to the particular disposition of the room (*fig. A*).

Each loudspeaker must be placed at the same height and on the same floor plan. The tweeter should be at the same height as the listener's ear, when the listener is in their usual listening area (*fig. B*).

Avoid placing the loudspeakers too close to the room's corners or walls. This will induce some unwanted room resonance and artificially increase bass response. On the contrary, if the bass level proves to be insufficient, it is possible to move the speakers closer to the walls to adjust the bass level (*fig. C*).

Optimization

To please the perfectionists, we shall give an optimum positioning formula : if **A** is the distance from the boomer centre to the closest wall (floor or wall), **B** the intermediate distance and **C** the longest distance (**A < B < C**), the relation **B² = AC** determines the ideal position of the speakers (*fig. D*).

• Example 1 :

The boomer centre is 60cm (24") from the floor (**B=60cm**) (mini speaker on a foot), standing 50cm (20") from the back wall (**A=50cm**), the side wall will be ideally 72cm (28") (**C=B² / A=72cm**).

• Example 2 :

the boomer centre is 30cm (12") from the floor (column speaker) (**A=30cm**), 1m (39") from the back wall (**C=1m**), the clearance with respect to the side walls will be **B=√AC=54.7cm** (22").

Important

Stylish driver protective caps conjoined to the loudspeaker. Do not remove for optimized performances.

Connections

The Electra Be input sockets ensure reliable multipurpose connections for stripped cables as well as for plugs.

It is imperative to respect the connector polarity of both the loudspeaker and amplifier. The positive terminal "+" must be connected to the corresponding (matching) amplifier's terminal and the negative terminal "-" to the negative terminal (*fig. E*). Stereo image, soundstaging and bass perception would be seriously compromised if these conditions were not respected.

User instructions

The sound rendition of the loudspeaker depends strongly upon the listening room's acoustics, the place of the loudspeakers and the listening area. These factors can be modified in order to correct or enhance a desired effect.

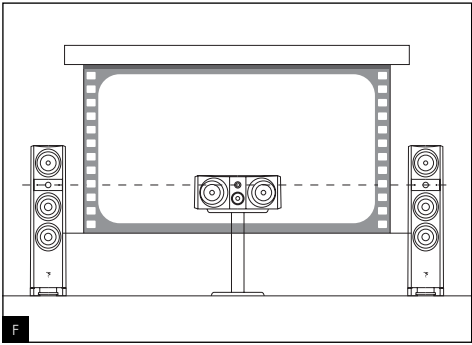
Should the soundstage be imprecise or not centred, try to move the loudspeakers closer to each other.

Harsh or aggressive sound means that your listening room is probably too reflective. Try to use any absorbing materials (such as tapestries, sofa, wall coverings, curtains...) combined with reflective materials to absorb or diffuse resonances.

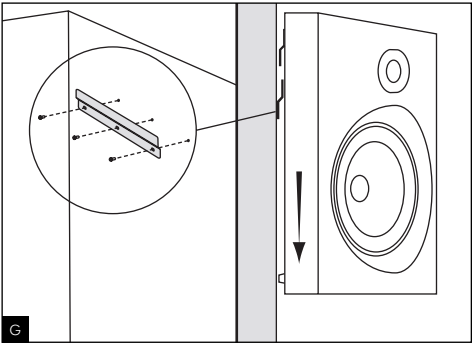
Should the sound be "flat" or muffled, there are too many absorbing materials in the listening room. The sound appears to be closed-in, with a narrow stereophonic image. Try to find a better compromise between absorbing and reflective materials within your listening room.

Generally the wall to the rear of the speakers should be made up of reflective materials so that the sound image exhibits satisfying volume and width. On the contrary the wall on the rear of the listener should be absorbing in order to avoid reflections damaging the perception of the stereo soundstage. These reflections may limit the impression of depth of the sound image. Furniture, such as bookshelves should be ideally placed along the side walls in order to diffuse sound waves and to prevent some frequencies from being amplified, especially in vocal range (it removes "flutter echo").

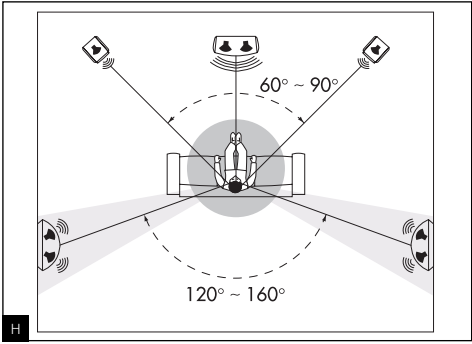
MULTICHANNEL



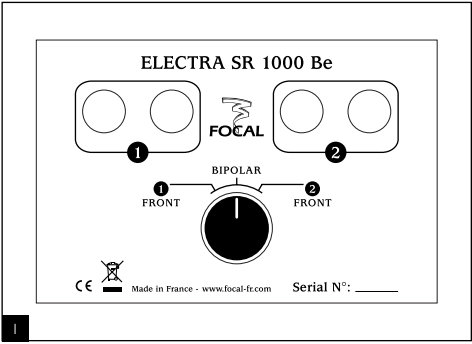
F



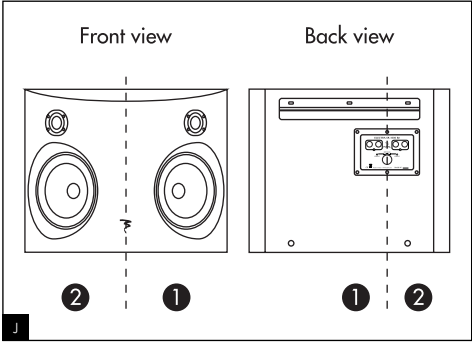
G



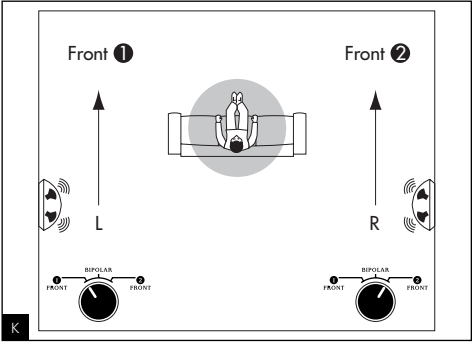
H



I



J



K

MULTICHANNEL

Loudspeakers choice

Your loudspeakers have been developed to be used under Stereo and Home Theater configurations. If you already use Electra 1000 Be on the front and want to move forward to Home Theater, it is paramount to use Electra 1000 Be product line center unit and surround loudspeakers. We recommend CC 1000 Be center units and SR 1000 Be surrounds. You can also use in-wall IW 1000 Be when environment limitations won't allow you to use SR 1000 Be surround loudspeakers.

A subwoofer SW 1000 Be is available.

Magnetic disturbance

The Electra 1000 Be line speakers (except CC 1000 Be) generate a magnetic leakage that may interfere with other sensitive household appliances. It is strongly advised not to place the speakers closer than 50cm to your TV screen. Frame geometry as well as colours can be severely distorted by a magnetic field if the loudspeaker is placed too close to the cathode ray tube.

Generally, every sensitive element (audio tapes, video tapes, magnetic data storages, projector and CRTS overhead-projector) should not be placed too close to non-shielded loudspeakers.

CC 1000 Be center loudspeaker positioning

CC 1000 Be center loudspeaker must be placed within close range of the screen for realistic dialogue reproduction. If a standard projection screen is used, the center unit must be placed right under the screen for optimal performance. If a perforated, acoustically transparent screen is used, the center unit can be placed behind at the lower half of the screen.

(fig. F)

SR 1000 Be loudspeakers installation

Securely fasten the fixation rails on the wall using the provided plugs and then insert SR 1000 Be. (fig. G).

SR 1000 Be positioning

Considering it is detrimental to perception, avoid placing SR 1000 Be surround loudspeakers too far back in the listening area. The best location can be obtained when SR 1000 Be surround loudspeakers make a 120° to 160° angle with respect to the listener. (fig. H).

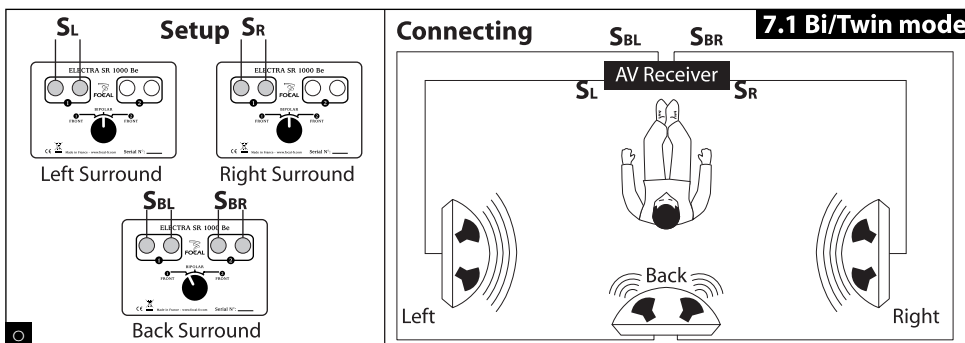
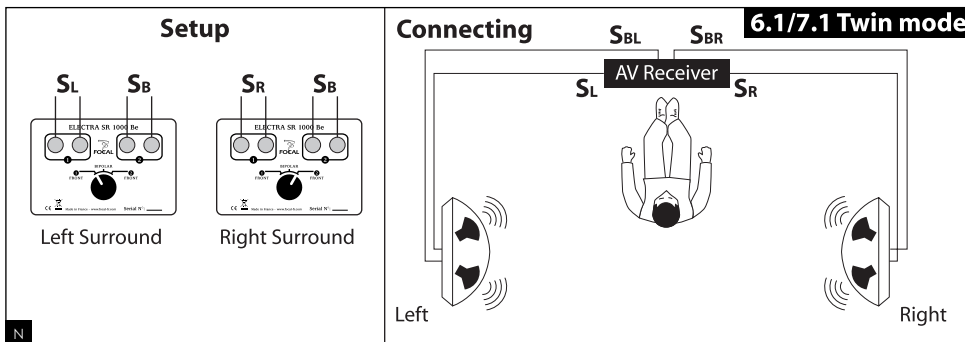
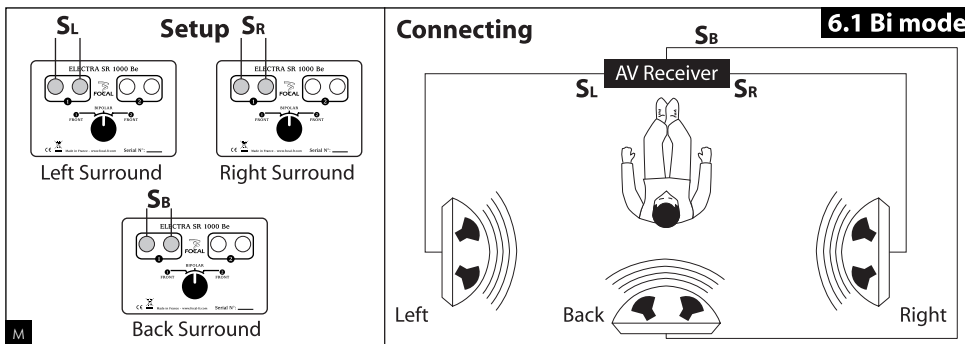
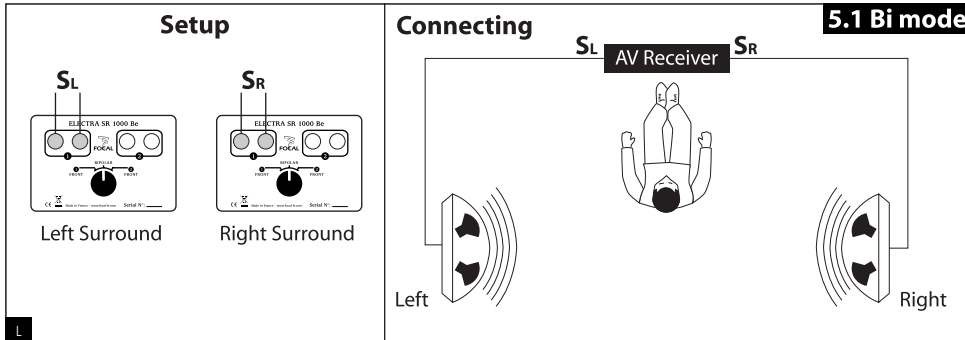
Place SR 1000 Be surround loudspeakers significantly high (between 50 and 90 cm) above the listener's ears.

SR 1000 Be Bi/Twin Modes

SR 1000 Be features a double Bi/Twin operating system allowing it to be used either in standard bipolar mode (Bi) or in double monopolar mode (Twin). Adequately defining parameters on the 3 positions mode selector and on the double input connector, providing one or two power amplifiers connection capability for each speaker, enables SR 1000 Be to implement 5.1, 6.1 or 7.1 configurations using only one pair of surround loudspeakers. (fig. I)

That selector authorizes the loudspeakers to work both together or divided in two groups (1 and 2) carrying different information to the front and to the back of the listening area (fig. J). The three positions mode selector allows to choose between the Bipolar mode and two Twin modes (Front 1 and Front 2), according to speaker direction (fig. K).

The use of a third or even a fourth SR 1000 Be surround loudspeaker is still possible for the most advanced 6.1 and 7.1 configurations.



SR 1000 Be

Safe practice

The 3 positions mode selector has been developed to suppress any short-circuit risk or connection error when two amplifiers are simultaneously connected to SR 1000 Be. In order to ensure best performance under the chosen configuration, we strongly recommend to carefully follow mode selector connection and setting instructions.



Turn off any amplifiers connected to SR 1000 Be during each mode selector operation!

Bipolar mode (5.1)

Set the right and left surround loudspeakers back selector in Bipolar position. Always connect the amplifier to right and left SR 1000 Be input ❶ (fig. L).

Note : in bipolar mode, the loudspeakers work together towards the front and the back of the listening area in order to cover it in a smooth and consistent manner.

Note : input ❷ is always inoperative when the selector is set in the Bipolar position.

Bipolar mode (6.1)

Set the extra back center unit back selector in Bipolar position. Always connect the amplifier to SR 1000 Be center bipolar unit input ❶ (fig. M).

Twin mode (6.1 or 7.1)

Left loudspeaker : set the selector in Front ❶ position. Connect the surround side channel to input ❶ and the surround back center channel to input ❷ (fig. N).

Right loudspeaker : set the selector in Front ❷ position. Connect the surround side channel to input ❶ and the surround back center channel to input ❷ (fig. N).

Note : the side channel is always connected to input ❶ for both left end right loudspeakers and the center channel always on input ❷. That approach permits switching the selector from Bi mode to Twin mode without wiring modification.

Note : Twin mode allows back and side surround information to be carried simultaneously to a single surround loudspeaker, dividing it in two parts beaming towards the front and the back of the listening area.

Note : surround side channel information will be carried to the front while center channel information will be carried towards the back of the listening area thanks to the two sets of separated connectors.

Bi/Twin mode(7.1)

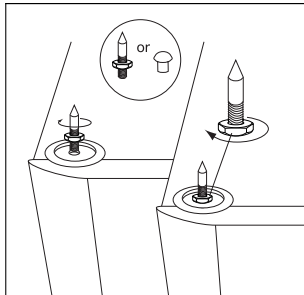
Back center speaker : when a third back center loudspeaker is added to the system, SR 1000 Be side channels are to be set in Bi mode while the surround center channel is to be set in Twin mode. Set the selector in Front ❶ position. Connect the left back surround channel to input ❶ and the right back surround channel to input ❷ (fig. O).

FINE TUNE

Accessories

Floorstanding loud-speaker systems include four decoupling spikes and four butyl cone and could be screwed, if necessary, into the four metal inserts situated on the base of the loudspeaker. These spikes ensure a better stability for floorstanding speakers, particularly if the floor is not perfectly flat and smooth. This stability improves clarity in bass and midrange by decoupling the system from the floor and thus reducing floor-born resonances. This required stability allows the energy delivered by the woofer's membrane to be integrally converted into sound. The enclosed spikes are adjustable in height. After having adjusted the height of the spikes, don't forget to lock them with the locknut.

When the use of the spikes proves to be necessary, we advise you to place a piece of metal (such as a coin) between the floor and the spike in order to avoid scratching a tiled floor. Bookshelf speakers can be placed on an optional stand specially developed for them.



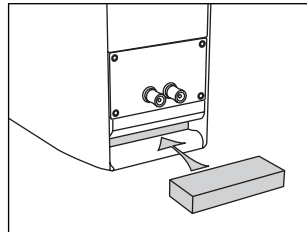
Cable

Don't underestimate the importance of the cable: make sure you chose the appropriate section and length. Let your retailer advise you.

Foam Bung for Bass Tuning (Electra 1007 Be only)

This foam bung allows you to make some fine adjustments to the bass performance of your loudspeakers. The Electra 1000 Be loudspeakers have been designed to reproduce deep bass in an even manner for a «free space» position. If you position your loudspeakers close to a wall, bass frequencies are further enforced. Similarly, some rooms have an acoustic that exaggerates low bass. The foam bung allows you to reduce the amount of energy from the port to reduce bass level and improve damping in such situations.

It is advised that you use the foam bung for both loudspeakers. Insert the foam bung into the port tube until it is flush with the front surface.



About amplifiers

Contrary to what one might think, it is not a too powerful amplifier that might damage a loudspeaker, but rather a lack of power. Actually if the output level of the amplifier is too high it will saturate and distort which will irretrievably damage the tweeter.

The power handling and frequency response of the loudspeakers is good enough to highlight the qualities or weak points of the amplifiers they are combined with. Let your retailer help you make the right choice, matching your personal taste and budget.

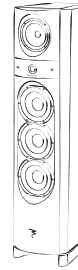
Conditions of guarantee

All Focal loudspeakers are covered by guarantee drawn up by the official Focal distributor in your country. Your distributor can provide all details concerning the conditions of guarantee. Guarantee cover extends at least to that granted by the legal guarantee in force in the country where the original purchase invoice was issued.



Your Focal-JMLab product was developed and manufactured with high-quality materials and components which can be recycled and/or re-used. This symbol indicates that electrical and electronic equipment must be disposed of separately from normal garbage at the end of its operational lifetime. Please dispose of this product by bringing it to your local collection point or recycling centre for such equipment. This will help to protect the environment in which we all live.

SPECIFICATIONS

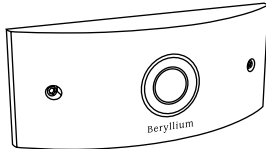


	Electra 1007 Be	Electra 1027 Be	Electra 1037 Be
Type	2-way bass-reflex bookshelf speaker	3-way bass-reflex floor standing speaker	3-way bass-reflex floor standing speaker
Drivers	6 1/2" (16.5cm) "W" mid-bass 1" (25mm) pure Beryllium IAL inverted dome tweeter	Two 6 1/2" (16.5cm) "W" woofers 6 1/2" (16.5cm) "W" midrange 1" (25mm) pure Beryllium IAL inverted dome tweeter	Two 7" (18cm) "W" woofers 6 1/2" (16.5cm) "W" midrange 1" (25mm) pure Beryllium IAL inverted dome tweeter
Frequency response (± 3dB)	46Hz - 40kHz	38Hz - 40kHz	33Hz - 40kHz
Low frequency point (-6dB)	41Hz	30Hz	26Hz
Sensitivity (2.83V/1m)	89dB	91dB	93dB
Nominal impedance	8 Ohms	8 Ohms	8 Ohms
Minimum impedance	3.9 Ohms	3.5 Ohms	3.3 Ohms
Crossover frequency	2 000Hz	350Hz / 2 000Hz	230Hz / 2 000Hz
Recommended amplifier power	25 - 150W	40 - 300W	40 - 400W
Dimensions (HxWxD)	153/16x103/8x133/4" (385x264x350mm)	431/16x103/8x133/4" (1 110x264x350mm)	493/16x1115/16x153/4" (1 250x303x400mm)
Net weight	33lbs (15kg)	72.6lbs (33kg)	112.2lbs (51kg)



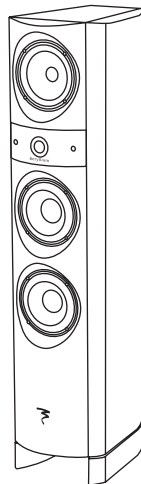
	Electra CC 1000 Be	Electra SR 1000 Be
Type	3-way bass-reflex shielded center speaker	2-way sealed bipole/twin mono effects speaker
Drivers	Two 6 1/2" (16.5cm) "W" woofers 3" (8cm) "W" midrange 1" (25mm) pure Beryllium IAL inverted dome tweeter	Two 6 1/2" (16.5cm) "W" mid-bass Two 1" (25mm) pure Beryllium inverted dome tweeter
Frequency response (± 3dB)	55Hz - 40kHz	72Hz - 40kHz
Low frequency point (-6dB)	50Hz	59Hz
Sensitivity (2.83V/1m)	91dB	91dB
Nominal impedance	8 Ohms	8 Ohms
Minimum impedance	4.1 Ohms	3 Ohms/6 Ohms (bi/twin)
Crossover frequency	500Hz / 2 000Hz	2 400Hz
Recommended amplifier power	40 - 200W	40 - 200W
Dimensions (HxWxD)	91/4x24x133/4" (235x609x350mm)	153/8x17x71/2" (390x430x190mm)
Net weight	41.8lbs (19kg)	27.7lbs (12.6kg)

MANUEL D'UTILISATION ELECTRA 1000 Be



Nous vous remercions d'avoir choisi les enceintes Electra 1000 Be et de partager avec nous notre philosophie "the Spirit of Sound". Ces enceintes de haute technicité intègrent les ultimes perfectionnements Focal en matière de conception de haut-parleurs pour la haute fidélité et le home cinéma. Afin d'exploiter toutes leurs performances, nous vous conseillons de lire les instructions de ce livret puis de le conserver avec précaution pour vous y référer ultérieurement.

Pour validation de la garantie Focal-JMLab, merci de nous retourner la garantie jointe dans les 10 jours.



Mise en garde

Les enceintes de la ligne Electra 1000 Be utilisent un tweeter à dôme inversé en Béryllium pur, capable d'étendre la bande passante à près de 40 kHz. Sous sa forme solide, ce matériau est inoffensif. Toutefois, de par sa nature, certaines précautions doivent être appliquées pour ne pas s'exposer à des risques inutiles :

- Le dôme Béryllium ne doit jamais être au contact d'une matière abrasive. Pour éviter tout dommage accidentel, nous vous conseillons de mettre en place la grille de protection magnétique.
- Si le dôme Béryllium est endommagé sous quelque forme que ce soit, le recouvrir dès que possible sur toute sa surface avec la bande adhésive de protection fournie. Prendre contact avec le revendeur afin de démonter et de remplacer le tweeter auprès d'un service compétent chez le distributeur.
- Si le dôme est brisé, les particules éventuelles de Béryllium doivent être récupérées avec soin au moyen d'un ruban adhésif, puis doivent être placées dans un sac plastique hermétiquement clos. Il sera renvoyé en même temps que l'enceinte chez le revendeur.

Pour plus d'informations complémentaires, veuillez nous contacter directement à l'adresse suivante : beryllium@focal-fr.com

Période de rodage

Les haut-parleurs sont des éléments mécaniques complexes qui exigent une période d'adaptation pour fonctionner au mieux de leurs possibilités et s'adapter aux conditions de température et d'humidité de votre environnement. Cette période de rodage varie selon les conditions rencontrées et peut se prolonger sur quelques semaines. Pour accélérer cette opération, nous vous conseillons de faire fonctionner vos enceintes une vingtaine d'heures à niveau moyen, sur des programmes musicaux standards mais chargés en grave. Une fois les caractéristiques de l'enceinte totalement stabilisées, vous pourrez profiter intégralement des performances de vos enceintes.

Précaution importantes

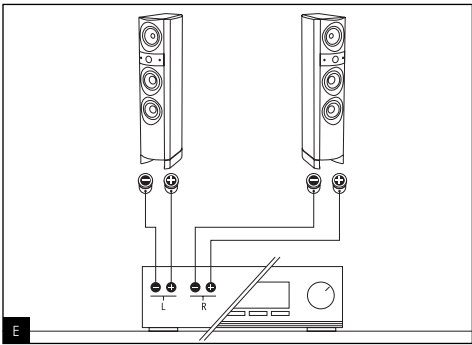
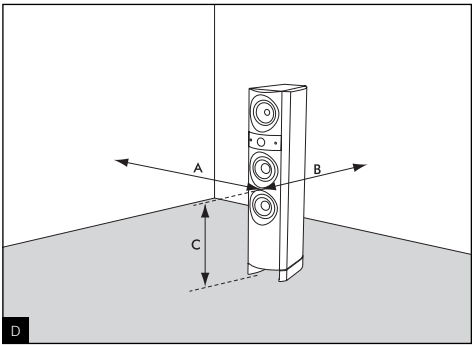
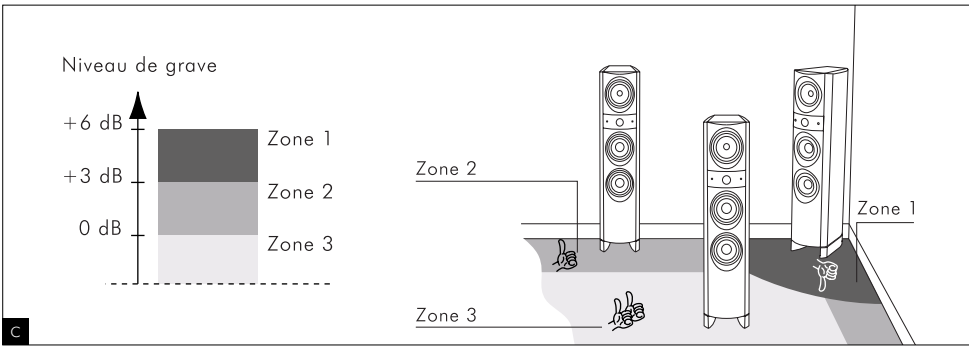
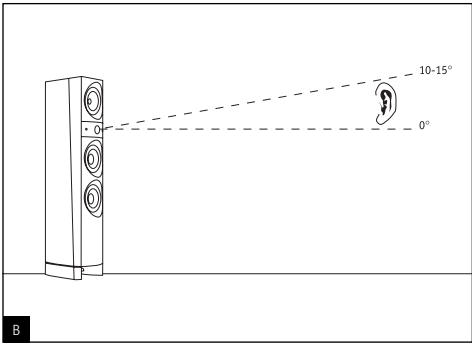
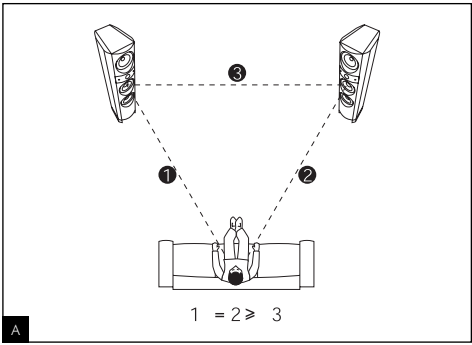
Les enceintes Electra 1000 Be sont vernies afin de présenter un état de surface très résistant et faciliter leur entretien. Celui-ci se limite généralement à un simple dépoussiérage à l'aide d'un chiffon sec. Si l'enceinte est tâchée, nous vous recommandons simplement l'utilisation d'un chiffon humide. Ne jamais utiliser de solvants, détergents, alcools ou produits corrosifs, grattoirs abrasifs récurant pour nettoyer la surface de l'enceinte. Ne jamais mettre en contact les haut-parleurs avec un liquide ou même un chiffon humide ou peluchant. Eviter la proximité d'une source de chaleur.

CE

Focal-JMLab® - BP 374 - 108, rue de l'Avenir - 42353 La Talaudière cedex - France - www.focal-fr.com
Tél. (+33) 04 77 43 57 00 - Fax (+33) 04 77 37 65 87

Dans un but d'évolution, Focal-JMLab se réserve le droit de modifier les spécifications techniques de ses produits sans préavis. Images non contractuelles. ©Focal-JMLab

MISE EN ŒUVRE



MISE EN ŒUVRE

Choix de l'emplacement

Vos enceintes ont été étudiées pour restituer le plus fidèlement possible toutes les formes de musiques ou programmes home cinéma. Il convient toutefois d'observer quelques règles simples pour optimiser leurs performances, garantir un bon équilibre tonal et une image sonore réaliste.

Les enceintes devront être placées de façon symétrique face à la zone d'écoute, de manière à former idéalement un triangle équilatéral avec celle-ci. Il est néanmoins possible de faire varier ces distances pour trouver le compromis idéal en fonction des conditions d'aménagement particulières (fig. A).

Les enceintes devront être placées à même hauteur sur un même plan horizontal. Idéalement, le tweeter sera placé au niveau des oreilles de l'auditeur au point d'écoute habituel (fig. B).

Ne placez pas les enceintes trop près d'un angle de la pièce et évitez de trop les rapprocher d'un mur. Ceci aura pour effet d'exciter certaines résonances du local et d'augmenter artificiellement le niveau de grave. À contrario, si le niveau de grave est jugé insuffisant, on pourra tenter de rapprocher les enceintes des murs pour rééquilibrer le niveau de grave (fig. C).

Optimisation

Pour les perfectionnistes, nous donnerons une formule de positionnement optimal :

Si **A** est la distance du centre du boomer à la paroi la plus proche (sol ou mur), **B** la distance intermédiaire et **C** la distance la plus grande (**A < B < C**), la relation $B^2 = AC$ définit la position idéale de l'enceinte (fig. D).

• Exemple 1 :

Le centre du boomer est à 60 cm du sol (**B** = 60 cm) (mini enceinte sur pied) il est dégagé du mur arrière de 50 cm (**A** = 50 cm), le mur latéral sera idéalement à 72 cm (**C** = $B^2/A = 72$ cm).

• Exemple 2 :

Le centre du boomer est à 30 cm du sol (enceinte colonne) (**A** = 30 cm), à 1 m du mur arrière (**C** = 1 m), la distance aux murs latéraux sera **B** = $\sqrt{AC} = 54,8$ cm.

Important

Les grilles des woofers font partie intégrante des enceintes de la ligne Electra Be. Pour des performances optimales, nous vous conseillons de les laisser en place.

Branchements

Les connecteurs des Electra Be assurent des contacts fiables et polyvalents, pour câbles dénudés (jusqu'à 4 mm de diamètre) ou des fourches.

Il est impératif de respecter la polarité des enceintes. Le connecteur marqué "+" doit être connecté sur la sortie correspondante de l'amplificateur, le connecteur marqué "-" sur la borne négative (fig. E). Si cette condition n'est pas respectée, l'image stéréo et la perception du grave se dégraderont considérablement.

Conseils d'utilisation

Le comportement des enceintes dépend de l'acoustique du local d'écoute, du bon positionnement des enceintes dans celui-ci et de l'emplacement de l'auditeur. Il est possible d'interagir sur ces éléments pour corriger ou améliorer un effet recherché.

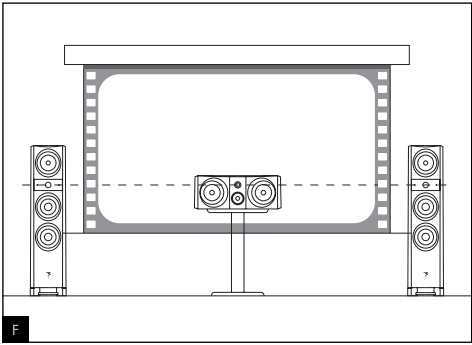
La perception stéréophonique est imprécise et mal centrée : essayez de rapprocher les enceintes l'une de l'autre et/ou de les orienter vers le point d'écoute

Le son est dur, agressif : l'acoustique de votre local est probablement trop réverbérante. Envisagez l'utilisation de matériaux absorbants (tapis, canapé, tentures murales, rideaux...) et réfléchissants (mobilier) pour absorber ou diffuser les résonances.

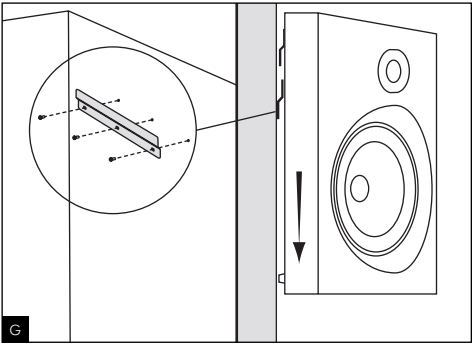
Le son est "plat", étouffé : excès de matériaux absorbants dans la pièce, le son est bouché, sans relief. Recherchez un meilleur compromis entre les matériaux absorbants et réfléchissants de votre intérieur.

D'une manière générale, on cherchera à ce que le mur placé derrière les enceintes soit de nature réfléchissante pour que le son se développe correctement. À l'inverse, le mur placé derrière la zone d'écoute sera idéalement absorbant pour éviter que des réflexions arrière ne viennent "polluer" la perception de l'image stéréophonique. Le mobilier pourra être placé judicieusement sur les murs latéraux pour diffuser les ondes sonores afin d'éviter d'exciter certaines zones de fréquences notamment dans le médium (suppression du "flutter écho").

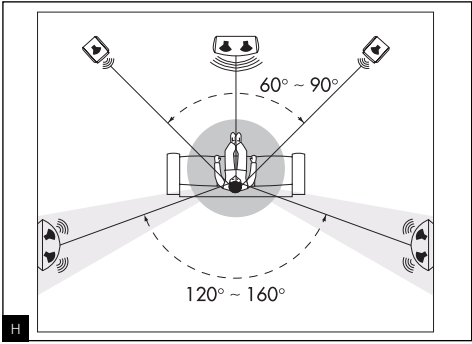
MULTICANAL



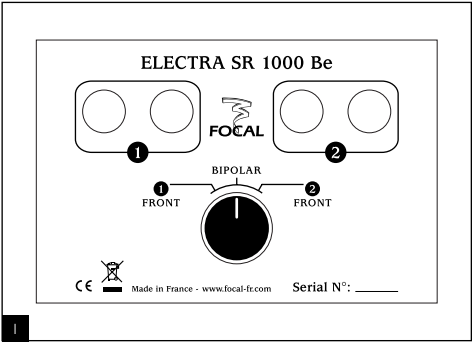
F



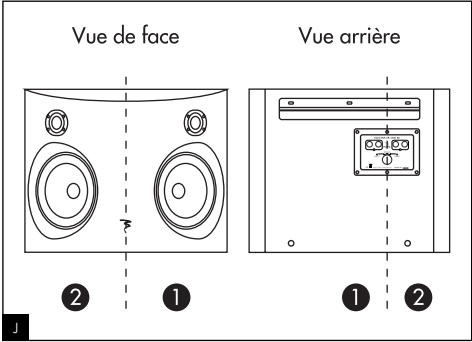
G



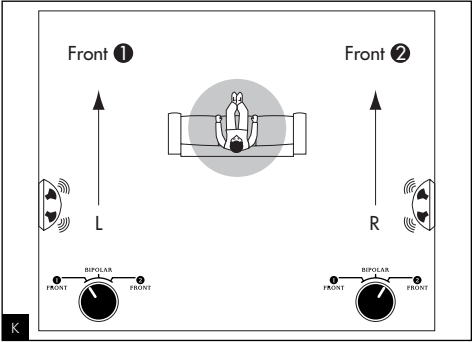
H



I



J



K

MULTICANAL

Choix des enceintes

Vos enceintes ont été mises au point pour fonctionner en stéréo comme en home cinéma. Si vous possédez déjà des enceintes Electra 1000 Be à l'avant et désirez évoluer vers le home cinéma, il est primordial d'utiliser une enceinte centrale et des enceintes surround de la ligne Electra 1000 Be. Nous vous recommandons d'utiliser les enceintes centrale CC 1000 Be et surrounds SR 1000 Be. À défaut, vous pourrez aussi utiliser les enceintes In Wall IW 1000 Be lorsque les contraintes d'environnement ne permettent pas d'utiliser les enceintes d'effets SR 1000 Be.

Le subwoofer SW 1000 Be complète idéalement toutes les configurations Electra 1000 Be multicanal.

Perturbations magnétiques

Les enceintes Electra 1000 Be (sauf CC 1000 Be) génèrent un champ magnétique de fuite pouvant perturber le fonctionnement de certains appareils.

Il est strictement déconseillé d'utiliser des enceintes frontales à moins de 50 cm du téléviseur, très sensible à ce phénomène. L'image et les couleurs peuvent se trouver gravement déformées par le champ d'une enceinte trop proche. Tous les éléments sensibles (cassettes, stockage de données magnétique, projecteur et rétroprojecteurs CRT...) ne doivent pas être placés à proximité immédiate des enceintes non blindées.

Placement de l'enceinte centrale CC 1000 Be

L'enceinte centrale doit être placée à proximité de l'écran pour une restitution réaliste des dialogues. Si un écran de projection standard est utilisé, l'enceinte centrale devra être placée au pied de l'écran pour des résultats optimaux. Si un écran micro perforé est utilisé, elle pourra alors être placée derrière l'écran, vers la moitié basse de celui-ci (**fig. F**).

Fixation des enceintes SR 1000 Be

Fixer solidement les rails de fixation au mur au moyen des chevilles fournies, puis y insérer la SR 1000 Be (**fig. G**).

Placement des enceintes SR 1000 Be

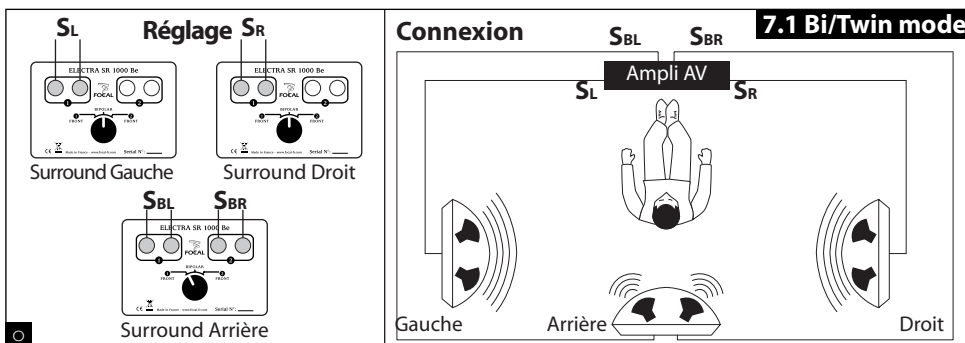
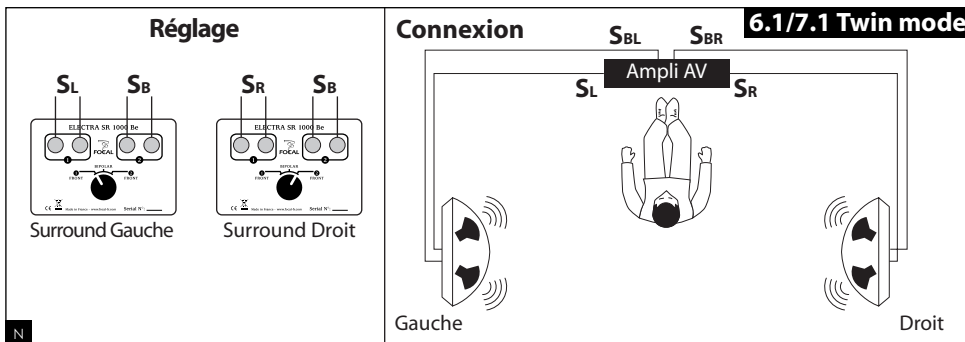
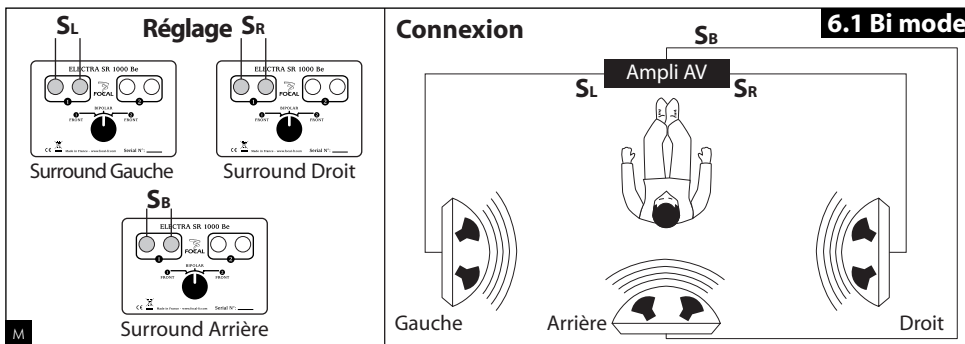
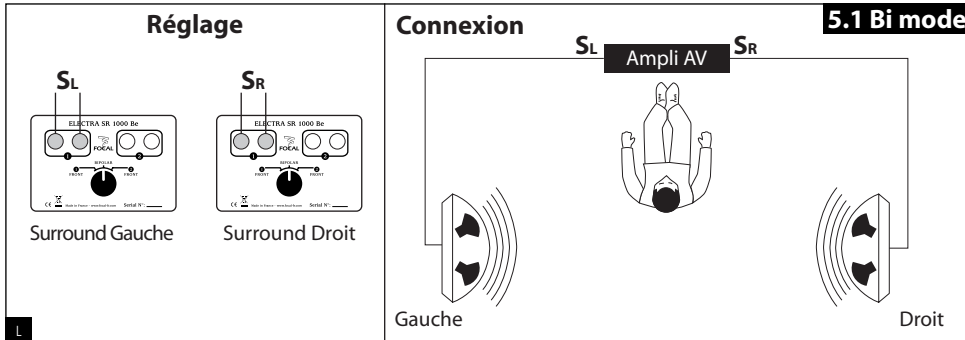
Évitez de placer les enceintes surround trop en arrière de la zone d'écoute, car la perception s'en trouvera dégradée. Le meilleur emplacement est obtenu lorsque les enceintes forment un angle de 120° à 160° par rapport à l'auditeur (**fig.H**).

Placez les enceintes suffisamment en hauteur, entre 50 et 90 cm au-dessus des oreilles de l'auditeur.

Mode Bi/Twin (SR 1000 Be)

La SR 1000 Be intègre un double système de fonctionnement Bi/Twin afin de pouvoir utiliser l'enceinte en mode standard bipolaire (Bi) ou double monopolaire (Twin). Cette fonction permet de réaliser une configuration 5.1, 6.1 ou 7.1 au moyen d'une seule paire d'enceinte surround, grâce à un paramétrage adapté du sélecteur de mode à 3 positions et du double connecteur d'entrée pour la connexion d'un ou deux amplificateurs de puissance par enceinte (**fig. I**). Ce sélecteur permet de faire fonctionner les haut-parleurs en tandem ou de les dissocier en deux groupes 1 et 2 diffusant des informations différentes vers l'avant et vers l'arrière (**fig J**). Le sélecteur à trois position permettra de choisir entre le mode Bipolaire ① ou ② modes Twin, Front ① et Front ② selon l'orientation de l'enceinte (**fig. K**).

L'utilisation d'une troisième, voire d'une quatrième enceinte SR 1000 Be reste possible dans le cadre des configurations 6.1 et 7.1 les plus évoluées.



SR 1000 Be

Précautions d'utilisation

Le sélecteur de mode à 3 positions a été conçu pour supprimer tout risque de court-circuit ou erreur de connexion lorsque deux amplificateurs sont simultanément connectés à la SR 1000 Be. C'est pourquoi, pour garantir les meilleurs résultats possible selon la structure choisie, nous recommandons d'appliquer scrupuleusement les conseils de branchements et de réglages du sélecteur de mode.



Eteignez les amplificateurs raccordés à la SR 1000 Be à chaque intervention sur le sélecteur de mode !

Mode bipolaire (5.1)

Placez le sélecteur arrière des enceinte surround droite et gauche sur Bipolar. Connectez toujours l'amplificateur unique sur l'entrée ❶ des SR 1000 Be gauche et droite (fig. L).

Note : en mode bipolaire tous les haut-parleurs fonctionnent en en tandem vers l'avant et l'arrière pour couvrir de façon large et uniforme toute la pièce d'écoute.

Note : l'entrée ❷ est toujours inopérante lorsque le sélecteur est sur Bipolar.

Mode bipolaire (6.1)

Placez le sélecteur arrière de l'enceinte centrale arrière supplémentaire sur Bipolar. Connectez toujours l'amplificateur unique sur l'entrée ❶ de la SR 1000 Be centrale bipolaire (Fig. M).

Mode Twin (6.1 ou 7.1)

Enceinte gauche : mettre le sélecteur en position Front ❶. Connectez la voie surround latérale sur l'entrée ❶ et la voie surround centrale arrière sur l'entrée ❷ (fig. N).

Enceinte droite : mettre le sélecteur en position Front ❷. Connectez la voie surround latérale sur l'entrée ❶ et la voie surround centrale arrière sur l'entrée ❷ (fig. N).

Note : la voie latérale est toujours connectée sur l'entrée ❶ aussi bien sur les enceintes gauche et droite et la voie surround centrale toujours sur l'entrée ❷. Cette méthode permet de commuter le sélecteur de mode sur Bi ou Twin sans modification du câblage.

Note : ce mode sert à diffuser simultanément l'information surround latérale et arrière sur une seule enceinte surround en dissociant l'enceinte en deux parties rayonnant vers l'avant et vers l'arrière. Note : l'information surround latérale sera diffusée vers l'avant et celle surround centrale vers l'arrière de l'enceinte grâce aux deux jeux de connecteur séparés.

Mode Bi/Twin (7.1)

Enceinte centrale arrière : lorsqu'une troisième enceinte centrale arrière est utilisée, utiliser les SR 1000 Be latérales en mode Bi et la surround centrale en mode Twin. Mettre le sélecteur en position Front ❶. Connectez la voie surround arrière gauche sur l'entrée ❶ et la voie surround arrière droite sur l'entrée ❷ (fig. O).

RÉGLAGES FINS

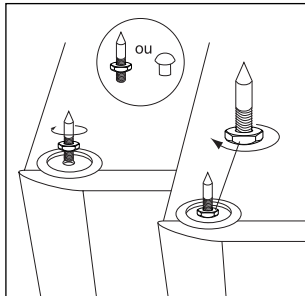
Accessoires

Les enceintes colonnes sont fournies avec quatre pointes de découplage en acier et quatre cônes en caoutchouc, à visser au besoin sur les 4 inserts métalliques situés à la base de l'enceinte.

Ces pointes permettent d'assurer une très bonne stabilité aux enceintes colonnes, notamment lorsque le sol n'est pas parfaitement plan et lisse. Cette stabilité est essentielle pour que l'énergie fournie par les membranes des woofers soit intégralement restituée sous forme de son. Les pointes fournies sont réglables en hauteur, de manière à ce que les 4 pointes reposent uniformément au sol sans aucun basculement. Une fois la hauteur des pointes déterminées, les bloquer avec le contre-écrou.

Lorsque l'utilisation des pointes se révèle nécessaire, nous vous conseillons de placer entre le sol et la pointe un élément métallique (pièce de monnaie par exemple) pour ne pas rayer un carrelage ou abîmer un parquet.

L'enceinte Electra 1007 Be peut être posée sur un pied optionnel conçu spécifiquement pour elle.

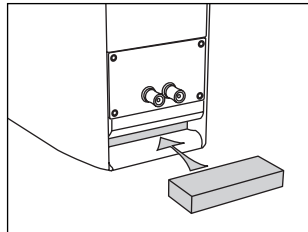


Choix des câbles

Choisissez des câbles de qualité de section appropriée à la longueur : votre revendeur saura vous conseiller.

Tube de mousse pour événement (Electra 1007 Be seulement)

L'utilisation du tube de mousse pour événement fourni permet de conserver les avantages du bass-reflex, lorsque les conditions d'utilisation des enceintes ne sont pas optimales, en termes de surface disponible dans une pièce (lorsque les enceintes se trouvent situées à moins de 20-30 cm d'une paroi) ou d'acoustique de pièce trop amortie. L'écoute semblera gonflée dans le grave. L'usage du tube de mousse permet de freiner et de réduire l'onde arrière émise par l'évent et ainsi d'adapter le niveau de grave à votre environnement. Utiliser le tube simultanément sur les deux enceintes. Insérer le tube de mousse dans l'évent à fleur de la section interne de l'évent.



Choix de l'amplificateur

Ce n'est pas l'excès de puissance d'un amplificateur qui risque de détériorer l'enceinte et les haut-parleurs, mais au contraire un défaut de puissance. En effet si le volume est trop élevé, l'amplificateur sature et génère des signaux parasites qui risqueraient de détruire le tweeter.

La capacité dynamique et la définition des enceintes sont suffisamment élevées pour mettre en évidence les qualités et défauts des amplificateurs qui leur seront associés. Votre revendeur saura aiguiller votre choix, en fonction de vos goûts et de votre budget.

Conditions de garantie

En cas de problème, adressez-vous à votre revendeur Focal.

La garantie pour la France sur tout matériel Focal est de 10 ans non transmissible en cas de revente, à partir de la date d'achat. En cas de matériel défectueux, celui-ci doit être expédié à vos frais, dans son emballage d'origine auprès du revendeur, lequel analysera le matériel et déterminera la nature de la panne. Si celui-ci est sous garantie, le matériel vous sera rendu ou remplacé en "franco de port". Dans le cas contraire, un devis de réparation vous sera proposé.

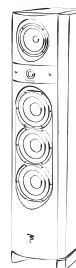
La garantie ne couvre pas les dommages résultant d'une mauvaise utilisation ou d'un branchement incorrect (bobines mobiles brûlées par exemple...).

En dehors de la France, le matériel Focal est couvert par une garantie dont les conditions sont fixées localement par le distributeur officiel Focal de chaque pays, en accord avec les lois en vigueur sur le territoire concerné.



Votre produit Focal-JMlab a été conçu et fabriqué avec des matériaux et composants de haute qualité, susceptibles d'être recyclés et réutilisés. Ce symbole signifie que les appareils électriques et électroniques, lorsqu'ils sont arrivés en fin de vie, doivent être éliminés séparément des ordures ménagères. Veuillez rapporter cet appareil à la déchetterie communale ou à un centre de recyclage. Vous contribuez ainsi à la préservation de l'environnement.

CARACTÉRISTIQUES



	Electra 1007 Be	Electra 1027 Be	Electra 1037 Be
Type	Compacte 2 voies bass-reflex	Colonne 3 voies bass-reflex	Colonne 3 voies bass-reflex
Haut-parleurs	Grave-médium "W" 16,5 cm Tweeter IAL à dôme inversé en Béryllium pur de 25 mm	2 x graves "W" 16,5 cm Médium "W" 16,5 cm Tweeter IAL à dôme inversé en Béryllium pur de 25 mm	3 x graves "W" 18 cm Médium "W" 16,5 cm Tweeter IAL à dôme inversé en Béryllium pur de 25 mm
Réponse en fréquence (± 3 dB)	46 Hz - 40 kHz	38 Hz - 40 kHz	33 Hz - 40 kHz
Réponse à -6 dB	41 Hz	30 Hz	26 Hz
Sensibilité (2,83 V/1 m)	89 dB	91 dB	93 dB
Impédance nominale	8 Ohms	8 Ohms	8 Ohms
Impédance minimale	3,9 Ohms	3,5 Ohms	3,3 Ohms
Fréquences de filtrages	2 000 Hz	350 Hz / 2 000 Hz	230 Hz / 2 000 Hz
Puissance ampli recommandée	25 - 150 W	40 - 300 W	40 - 400 W
Dimensions (H x L x P)	385 x 264 x 350 mm	1 110 x 264 x 350 mm	1 250 x 303 x 400 mm
Poids (unité)	15 kg	33 kg	51 kg



	Electra CC 1000 Be	Electra SR 1000 Be
Type	Centrale blindée 3 voies bass-reflex	Surround close bipolaire /double monopole 2 voies
Haut-parleurs	2 x graves "W" 16,5 cm Médium "W" 8 cm Tweeter IAL à dôme inversé en Béryllium pur de 25 mm	2 x woofers "W" 16,5 cm 2 x tweeters à dôme inversé en Béryllium pur de 25 mm
Réponse en fréquence (± 3 dB)	55 Hz - 40 kHz	72 Hz - 40 kHz
Réponse à -6 dB	50 Hz	59 Hz
Sensibilité (2,83 V/1 m)	91 dB	91 dB
Impédance nominale	8 Ohms	8 Ohms
Impédance minimale	4,1 Ohms	3 Ohms / 6 Ohms (bipole/monopole)
Fréquences de filtrages	500 Hz / 2 000 Hz	2 400 Hz
Puissance ampli recommandée	40 - 200 W	40 - 200 W
Dimensions (H x L x P)	235 x 609 x 350 mm	390 x 430 x 190 mm
Poids (unité)	19 kg	12,6 kg



Su producto Focal-Jmlab ha sido concebido y fabricado con materiales y componentes de alta calidad, que pueden ser reciclados y reutilizados. Este símbolo signifi ca que los aparatos eléctricos y electrónicos, al final de su vida útil, deberán ser separados de los residuos domésticos y reciclados. Rogamos llevar este aparato al punto de recogida de su municipio o a un centro de reciclaje. Por favor, contribuya Vd. también en la conservación del ambiente en que vivimos.



Deres Focal-Jmlab-produkt er designet og fremstillet med materialer og komponenter af høj kvalitet, som kan recycles og genbruges. Dette symbol betyder, at elektriske og elektroniske apparater skal bortskaffes adskilt fra det almindelige husholdningsaffald, når de ikke længere bruges. Aflever dette apparat på Deres lokale kommunale genbrugsstation eller på genbrugscentret. Hjælp med at passe på det miljø, vi lever i.



Ihr Focal-Jmlab-Produkt wurde mit hochwertigen Materialien und Komponenten entworfen und hergestellt, die recycelbar sind und wieder verwendet werden können. Dieses Symbol bedeutet, dass elektrische und elektronische Geräte am Ende ihrer Nutzungsdauer vom Hausmüll getrennt entsorgt werden müssen. Bitte entsorgen Sie dieses Gerät bei Ihrer örtlichen kommunalen Sammelstelle oder im Recycling Centre. Bitte helfen Sie mit, die Umwelt in der wir leben, zu erhalten.



Tämä Focal-Jmlab-tuote on suunniteltu ja valmistettu korkealaatuisista materiaaleista ja komponenteista, joita voidaan kierrättää ja käyttää uudelleen. Tämä symboli tarkoittaa, että sähkölaitteet ja elektroniset laitteet tulee hävittää erillään kotitalousjätteestä, kun niitä ei enää käytetä. Jätä tämä laite paikkakuntasi kunnalliseen keräyspisteeseen tai kierrätyskeskukseen. Auta meitä säästämään luontoa, jossa elämme.



Il vostro prodotto Focal-Jmlab è stato progettato e realizzato con materiali e componenti pregiati che possono essere riciclati e riutilizzati. Questo simbolo signifi ca che gli apparecchi elettrici ed elettronici devono essere smaltiti separatamente dai rifi uti domestici alla fine del loro utilizzo. Vi preghiamo di smaltire questo apparecchio negli appositi punti di raccolta locali o nei centri preposti al riciclaggio. Contribuite anche voi a tutelare l'ambiente nel quale viviamo.



Az Ön által vásárolt Focal-Jmlab termék kiváló minőségű, újrahasznosítható és/vagy újra felhasználható anyagok és komponensek felhasználásával készült. Ez a szimbólum azt jelzi, hogy az elektromos és elektronikus készüléket a normális hulladéktól elkülönítetten kell kidobni, amikor élettartama végére ért. A termék kidobásakor kérjük, vigye azt a helyi gyűjtőponthoz, vagy az ilyen készülékek számára fenntartott újrahasznosító központba! Ezzel hozzájárulhat környezetünk megóvásához, amelyben mindannyian élünk.



Uw Focal-Jmlab-Product is ontworpen voor en gebouwd uit hoogwaardige materialen en componenten die gerecycled kunnen worden en dus geschikt zijn voor hergebruik. Dit symbool betekent, dat elektrische en elektronische apparatuur aan het einde van zijn levensduur gescheiden van het huisvuil apart moet worden ingeleverd. Breng dit apparaat naar een van de plaatselijke verzamelpunten of naar een kringloopwinkel. Help s.v.p. mee, het milieu waarin we leve te beschermen.



Váš výrobok Focal-Jmlab bol navrhnutý a vyrobený z vysoko kvalitných materiálov a komponentov, ktoré je možné recyklovať a znovu použiť. Tento symbol znamená, že sa elektrické a elektronické prístroje po uplynutí svojej životnosti musia likvidovať oddelene od domáceho odpadu. Odovzdajte preto prosím tento prístroj k likvidácii v miestne príslušnom komunálnom zbernom dvore alebo k recyklácii v príslušnom recyklačnom stredisku. Pomôžte nám prosím pri ochrane životného prostredia.



O seu produto Focal-Jmlab foi concebido e fabricado, utilizando materiais e componentes de alta qualidade que, podem ser reciclados e reutilizados. Este símbolo significa que, no fim da sua vida útil, equipamentos eléctricos e electrónicos devem ser eliminados separadamente dos resíduos sólidos domésticos. Por favor, entregue este equipamento ao respectivo ecoponto local ou comunal ou ao centro de reciclagem competente. Por favor, ajude-nos a preservar o meio ambiente em que vivemos.



Produkt Focal-JMlab został zaprojektowany i wykonany z materiałów i elementów wysokiej jakości, nadających się do recyklingu i ponownego wykorzystania. Symbol ten oznacza, że sprzęt elektryczny i elektroniczny należy utylizować po zakończeniu użytkowania odrębnie od odpadów domowych. Sprzęt należy utylizować w komunalnym punkcie zbiórki lub w punkcie recyklingu. Pomóżcie i Wy chronić środowisko, w którym żyjemy.



Vaš Focal-JMlab proizvod je zasnovan in izdelan iz visoko kakovostnih materialov in komponent, ki so obnovljive in jih je mogoče ponovno uporabiti.

Ta simbol pomeni, da je potrebno električne in elektronske naprave po izteku njihove uporabne dobe, odvesti ločeno od gospodinjskih odpadkov.

Naprošamo vas, da napravo oddate na vašem lokalnem komunalnem zbirnem mestu ali v reciklažnem centru.

Naprošamo vas za sodelovanje pri pomoči ohranjanja našega življenjskega prostora.



Jūsų Focal-JMlab gaminys buvo sukurtas ir pagamintas panaudojant aukštos kokybės medžiagas ir komponentus, kuriuos galima perdirbti ir/arba panaudoti pakartotinai.

Šis simbolis nurodo, kad elektrinius ir elektroninius įtaisus, pasibaigus jų eksploatavimo laikotarpiui, reikia utilizuoti atskirai nuo įprastinių buitinių atliekų.

Jeigu šio gaminio tarnavimo laikas baigėsi, tai prašome perduoti jį specialiu atliekų surinkimo arba perdirbimo įmonei.

Tai padės apsaugoti aplinką, kurioje mes visi gyvename.



To Focal-JMlab προϊόν σας αναπτύχθηκε και κατασκευάστηκε με υψηλής ποιότητας υλικά και συστατικά τα οποία μπορούν να ανακυκλωθούν ή να ξαναχρησιμοποιηθούν.

Αυτό το σύμβολο δηλώνει ότι οι ηλεκτρικές και ηλεκτρονικές συσκευές πρέπει να πετιούνται ξεχωριστά από τα κανονικά σας σκουπίδια στο τέλος του χρόνου λειτουργίας τους.

Παρακαλείστε να πετάτε αυτό το προϊόν με το να το φέρετε το οικείο σας σημείο ή κέντρο ανακύκλωσης για κάθε συσκευή.

Αυτό θα σας βοηθήσει να προστατέψετε το περιβάλλον στο οποίο όλοι ζούμε.



Focal-JMlabs produkter har konstruerats och tillverkats av högkvalitativa material och komponenter som kan återvinnas och återanvändas. Symbolen innebär att uttjänade elektriska och elektroniska apparater måste tas om hand separerat från hushållsavfallet. Lämna apparaten på kommunens samlingsställen eller återvinningscentraler. Hjälp oss att skydda vår miljö.



Váš výrobek Focal-JMlab byl navržen a vyroben z vysoce kvalitních materiálů a komponent, které lze recyklovat a znovu použít.

Tento symbol znamená, že se elektrické a elektronické přístroje po uplynutí své životnosti musejí likvidovat odděleně od domácího odpadu.

Odevzdejte proto prosím tento přístroj k likvidaci v místně příslušném komunálním sběrném dvoře nebo k recyklaci v příslušném recyklačním středisku.

Pomozte nám prosím při ochraně životního prostředí.



Šis Focal-JMlab produkts ir izstrādāts un ražots, izmantojot augstas kvalitātes materiālus un komponentus, kurus var otrreizēji pārstrādāt un/vai lietot atkārtoti.

Šis simbols norāda, ka elektriskās un elektroniskās ierīces pēc to kalpošanas laika beigām jālikvidē atsevišķi no parastajiem atkritumiem.

Lūdzu, likvidējiet šo produktu, tikai nododot vietējā savākšanas punktā vai pārstrādes centrā, kas paredzēti šādai tehnikai.

Šādi jūs palīdzēsiet aizsargāt vidi, kurā mēs visi dzīvojam.



Teie Focal-JMlab toode on välja töötatud ning toodetud kõrgkvaliteetsest materjalist ning osades, mida on võimalik ümber töödelda ning/või korduvkasutada. Antud märgis näitab, et elektri- ja elektroonikaseadmeid peab nende kasutusaja lõppemisel kõrvaldama lahus muudest jäätmetest. Palun viige toode kõrvaldamiseks teie kohalikku jäätmete kogumiskohta või antud seadme ümbertöötamiskeskusesse. See aitab kaitsta meid ümbritsevat keskkonda.

INTERNATIONAL GUARANTEE

The Focal guarantee only applies if this page is returned to us within 10 days of purchase, to the following address:

Focal-JMlab - BP 374 - 108, rue de l'Avenir - 42353 La Talaudière cedex - FRANCE

Model: _____ Serial number: _____

Name of dealer: _____ Town: _____

Date of purchase: _____ Purchase price: _____

Your name: _____ Age: _____ Occupation: _____

Your complete address: _____

Your email address: _____

Details of your installation (brand, model):

■ Cassette: _____ ■ CD: _____

■ Tuner: _____ ■ Satellite / cable: _____

■ DVD: _____ ■ Amp. Preamp. Receiver: _____

■ CD / DVD recorder: _____ ■ Other elements: _____

Your decision for purchasing this Focal model was made according to:

Dealer's advice

Friend's advice

Visit to an exhibition, show

Press article

Listening in auditorium

Already own Focal products

Reliability / Quality

Documentation

Reputation

French produce

Guarantee

Quality / Price ratio

Design / Finishes

Other _____

Sound

In case of purchase of new equipment, what were your former speakers? _____

Explain in a few words why you choose Focal... _____

Further comments: _____

The information given on this page will remain confidential.

27

GARANTIE FRANCE

Pour validation de la garantie Focal, merci de nous retourner cette page dans les 10 jours, à l'adresse suivante :

Focal-JMlab - BP 374 - 108, rue de l'Avenir - 42353 La Talaudière cedex - FRANCE

Modèle : _____ N° de série : _____

Nom du revendeur : _____ Ville : _____

Date de l'achat : _____ Prix de l'achat : _____

Votre nom : _____ Âge : _____ Profession : _____

Votre adresse complète : _____

Votre adresse email : _____

Composition de votre installation (marque, modèle) :

■ Cassette : _____ ■ CD : _____

■ Tuner : _____ ■ Satellite / câble : _____

■ DVD : _____ ■ Amplificateur : _____

■ Graveur CD / DVD : _____ ■ Autres éléments : _____

Votre choix pour l'achat de ce modèle Focal s'est fait en fonction de :

- | | |
|---|---|
| <input type="checkbox"/> Conseil du revendeur | <input type="checkbox"/> Conseil d'amis, relation |
| <input type="checkbox"/> Visite d'exposition, salon | <input type="checkbox"/> Article de presse |
| <input type="checkbox"/> Ecoute en auditorium | <input type="checkbox"/> Possède déjà Focal |
| <input type="checkbox"/> Fiabilité / Qualité | <input type="checkbox"/> Catalogues |
| <input type="checkbox"/> Réputation | <input type="checkbox"/> Matériel Français |
| <input type="checkbox"/> Garantie | <input type="checkbox"/> Rapport qualité / prix |
| <input type="checkbox"/> Esthétique / Finition | <input type="checkbox"/> Autre _____ |
| <input type="checkbox"/> Son | |

En cas de renouvellement, quelles étaient vos précédentes enceintes acoustiques ? _____

Dites en quelques mots pourquoi vous avez choisi Focal... _____

Vos annotations éventuelles : _____

Free Manuals Download Website

<http://myh66.com>

<http://usermanuals.us>

<http://www.somanuals.com>

<http://www.4manuals.cc>

<http://www.manual-lib.com>

<http://www.404manual.com>

<http://www.luxmanual.com>

<http://aubethermostatmanual.com>

Golf course search by state

<http://golfingnear.com>

Email search by domain

<http://emailbydomain.com>

Auto manuals search

<http://auto.somanuals.com>

TV manuals search

<http://tv.somanuals.com>