

Foster

Live the Quality

USER'S MANUAL FOR SCUTION HOOD

Domino S4000 Ghost, cod. 2451 000

Foster spa

via M.S. Ottone, 18/20


42041 Brescello (RE) - Italy


tel. +39.0522.687425 - tel. Servizio Assistenza +39.0522.684450


fax +39.0522.686019 - fax Servizio Ricambi +39.0522.962166


e-mail: service@fosterspa.com


www.fosterspa.com

IT Il simbolo  sul prodotto o sulla confezione indica che il prodotto non deve essere considerato come un normale rifiuto domestico, ma deve essere portato nel punto di raccolta appropriato per il riciclaggio di apparecchiature elettriche ed elettroniche. Provvedendo a smaltire questo prodotto in modo appropriato, si contribuisce a evitare potenziali conseguenze negative per l'ambiente e per la salute, che potrebbero derivare da uno smaltimento inadeguato del prodotto. Per informazioni più dettagliate sul riciclaggio di questo prodotto, contattare l'ufficio comunale, il servizio locale di smaltimento rifiuti o il negozio in cui è stato acquistato il prodotto. Questo elettrodomestico è marcato conformemente alla Direttiva Europea 2002/96/CE sui rifiuti da apparecchiature elettriche ed elettroniche (WEEE).

EN The symbol  on the product or on its packaging indicates that this product may not be treated as household waste. Instead it shall be handed over to the applicable collection point for the recycling of electrical and electronic equipment. By ensuring this product is disposed of correctly, you will help prevent potential negative consequences for the environment and human health, which could otherwise be caused by inappropriate waste handling of this product. For more detailed information about recycling of this product, please contact your local city office, your household waste disposal service or the shop where you purchased the product. This appliance is marked according to the European directive 2002/96/EC on waste electrical and electronic equipment (WEEE).

FR Le symbole  sur le produit ou son emballage indique que ce produit ne peut être traité comme déchet ménager. Il doit plutôt être remis au point de ramassage concerné, se chargeant du recyclage du matériel électrique et électronique. En vous assurant que ce produit est éliminé correctement, vous favorisez la prévention des conséquences négatives pour l'environnement et la santé humaine qui, sinon, seraient le résultat d'un traitement inapproprié des déchets de ce produit. Pour obtenir plus de détails sur le recyclage de ce produit, veuillez prendre contact avec le bureau municipal de votre région, votre service d'élimination des déchets ménagers ou le magasin où vous avez acheté le produit. Cet appareil est commercialisé en accord avec la directive européenne 2002/96/CE sur les déchets des équipements électriques et électroniques (WEEE).

ES El símbolo  en el producto o en su embalaje indica que este producto no se puede tratar como desperdicios normales del hogar. Este producto se debe entregar al punto de recolección de equipos eléctricos y electrónicos para reciclaje. Al asegurarse de que este producto se deseché correctamente, usted ayudará a evitar posibles consecuencias negativas para el ambiente y la salud pública, lo cual podría ocurrir si este producto no se manipula de forma adecuada. Para obtener información más detallada sobre el reciclaje de este producto, póngase en contacto con la administración de su ciudad, con su servicio de desechos del hogar o con la tienda donde compró el producto. Este electrodomestico está marcado conforme a la directiva Europea 2000/96/CE sobre los residuos de aparatos eléctricos y electrónicos (WEEE).

DE Das Symbol  auf dem Produkt oder seiner Verpackung weist darauf hin, dass dieses Produkt nicht als normaler Haushaltsabfall zu behandeln ist, sondern an einem Sammelpunkt für das Recycling von elektrischen und elektronischen Geräten abgegeben werden muss. Durch Ihren Beitrag zum korrekten Entsorgen dieses Produkts schützen Sie die Umwelt und die Gesundheit Ihrer Mitmenschen. Umwelt und Gesundheit werden durch falsches Entsorgen gefährdet. Weitere Informationen über das Recycling dieses Produkts erhalten Sie von Ihrem Rathaus, Ihrer Müllabfuhr oder dem Geschäft, in dem Sie das Produkt gekauft haben. Dieses Elektrohaushaltsgerät ist entsprechend der EU-Richtlinie 2002/96/CE über Elektro- und Elektronik-Altgeräte (WEEE).

1/ TO THE ATTENTION OF THE USER	
- Safety instructions	16
- Description of the appliance	17
2 / INSTALLING THE HOOD	
- Mounting the hood	18
- Removal of the filter cartridge	19
- Mounting the filter cartridge	19
- Electrical hook-up of the hood	20
3 / HOW THE HOOD WORKS	21
4 / CLEANING THE HOOD	23
5 / OPERATIONAL ANOMALIES	24
6 / AFTER SALES SERVICE	24



Important: *keep these instructions for use with the appliance. If the appliance should be sold or passed on to others, make sure that the instructions are passed on with it. We thank you for taking note of these suggestions before installing and using the appliance. They have been written for your personal safety and the safety of others.*

- SAFETY INSTRUCTIONS

These hoods have been designed for personal use in the home. The appliance must be used by adults. Make sure that children do not come into contact with the appliance and that they do not use it to play with. Make sure that children do not operate the controls.

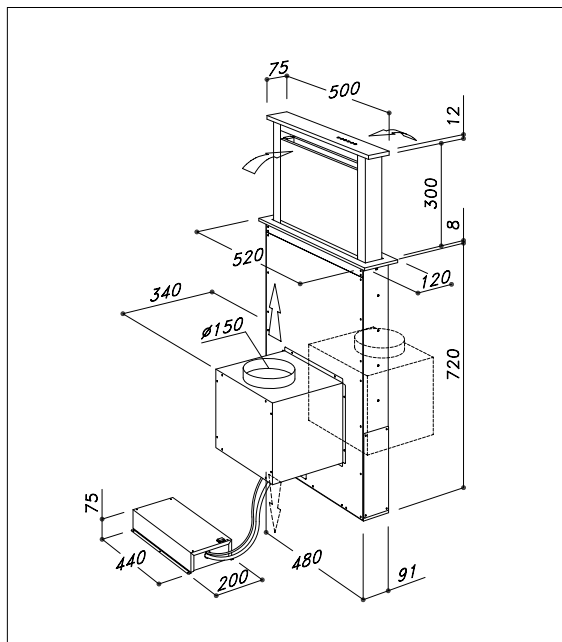
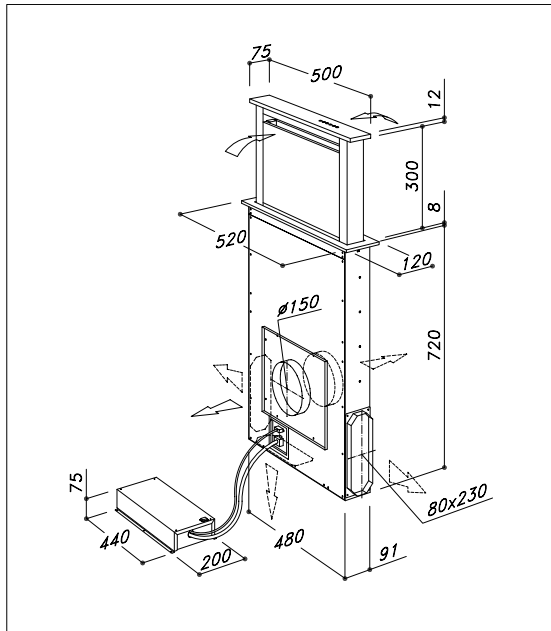
- When the appliance is delivered, check the overall appearance of the packaging. Any remarks should be written on the delivery coupon, of which you keep a copy. Your appliance is designed for normal domestic use. It is not designed for commercial or industrial use, or for purposes other than those for which it was designed.
- Any consequences of or damage from incorrect installation or incorrect use of the appliance will not be covered by the manufacturer's guarantee.
- Repairs must be performed only by an authorised specialist. Always disconnect the hood before carrying out cleaning or maintenance operations.
- Adequately ventilate the area in case the hood is activated simultaneously with other appliances powered from non-electrical sources so that the hood does not ventilate these combustion fumes.
- It is prohibited to cook food over open flames or operate gas hobs without pots or pans on them under the hood itself (the flames sucked into the hood might damage the appliance).
- Deep frying under the appliance must be done under constant supervision as hot oils and fats may ignite. Respect the guidelines for cleaning and replacement of the filters. Accumulated deposits of grease are a fire hazard.
- This appliance must not be used over cook tops powered by wood or coal or in any case, over cook tops with power levels that could damage the appliance. Never use steam or high-pressure devices for cleaning your hood (regulations regarding electrical safety).
- Never use the hood without the grease filters

NOTE: The minimum distance between the open down draft and the surface above it needs to be 400 mm

NOTE: When moving the down draft, never place hands inside the operating radius of the pull-out carriage

Constantly seeking to improve our products, we reserve the right to modify their technical, functional, or aesthetic characteristics as they evolve.

In the case of the version with external motor, for normal downdraft operation, it is necessary to use an extraction unit (external motor) made by the same manufacturer. The air collected must not be conveyed into a flue used for smoke or fumes from appliances powered by anything other than electricity (central heating systems, etc.). As far as concerns discharging air from the flue, respect the guidelines of the competent authorities.

- DESCRIPTION OF THE APPLIANCE

- 1) Before installing the appliance, make sure that none of the parts is damaged in any way. In case of damaged parts, contact your retailer and do not proceed with installation.
Read all of the following instructions with care before installing the appliance.
 - Use an air outlet pipe of the shortest possible length.
 - Limit the number of pipe bends.
 - Use a material approved by standards and regulations.
 - Avoid any sudden changes in pipe section (recommended constant diameter: 150 mm or equal surface area).

Before the installation of the Downdraft, please remove the security piece you can see in the picture (Fig. 1-2-3-4).

The manufacturer will not be answerable for any capacity or noise problems caused by failure to comply with the above instructions and the warranty will be rendered null and void.

- 2) Before making the opening, check that there are no structural or other parts inside the cabinet, where the appliance is to be placed, which could hinder a proper installation. Check that the dimensions of the Downdraft and the ones of the cooktop are compatible with the cabinet so that the installation can be carried out properly.
- 3) Make a rectangular opening measuring 490 x 104 mm in the area chosen for the cook top.
For models with motor already fitted, remove the screws and the extraction unit to fit the downdraft in the relevant hole. At this point, insert a seal (silicone) in the bottom section of the frame support (Fig. 18) and place in the relevant hole (Fig. 19-20), then proceed to insert the downdraft into the unit.
- 4) Put the Downdraft in the opening, inserting it from above as shown in Fig. 12.
- 5) The upper edge of the Downdraft must fit perfectly the cooktop.
- 6) Fix the Downdraft inside the cabinet. According to the dimensions of the cabinet and of the air outlet duct, use the provided fixing brackets.
Attention: do not make any additional openings on the appliance in order to avoid to damage the internal sliding and electrical components.
- 7) After completing the installation and connecting the appliance to the mains electricity, lift the downdraft and remove the door block (Fig. 5-6-7). Then open the door (Fig. 8 - 9), remove the PVC grease filter shield (Fig. 10), then place the filters as illustrated in Fig. 11
- 8) In the version of the Downdraft equipped with motor, install the motor group adjusting the air evacuation direction as required, either downwards or upwards. After installing the motor, connect the air ducts (Fig. 13). The motor can be fitted either on the front or back side of the downdraft..
- 9) For versions with outside motor, place the suction unit (outside motor) in a suitable area and fit the exhaust air flue as illustrated in Fig. 13. Proceed to fit the air outlet ducts between the outside motor and the down draft. Select an air outlet from the five possibilities (Fig. 21) and fit the connection provided.
- 10) Put the metallic box containing the electronic components in a place easy to be reached if a technical assistance is needed Fig. 14). Connect the electrical connectors of the box to the Downdraft (Fig. 14).
- 11) For outside motors, connect the motor unit cable to the relevant connector on the electrical components box.
- 12) Power the appliance.

Downdraft calibration

After the downdraft has been installed, the aspiration panel must be calibrated. This operation is necessary to regulate the power extraction of the aspiration panel. Connect the product to the power line, making sure that **it is conformed to the supply voltage indicated on the technical data tag. Pushing the ON/1 button** (Fig. 22B for SDD3 and 15H for SDD3 TC) the aspiration panel rises. After it has reached a height of 180mm from the cooktop, press OFF, to stop the extraction then the Timer and after 2 sec. the OFF button.

The downdraft will carry out the calibration of its aspiration panel rising and retracting for some centimeters. During this phase, the buttons on the pushbutton control panel blink. At the end of the calibration, the aspiration panel get back to the previous position and the button end to blink. Wait until the aspiration panel stops moving before re-activating the extraction.

After the self-calibration stage, close the filter unit completely using the OFF button.

UTILISATION

This product is intended to extract fumes, fats, and steam from cooking. It has been designed and made for use either in the suction or filter versions.

VERSION EVACUATION exterieure

The hood is equipped with an air outlet to convey smoke outwards (the flue pipe and fixing flange are not supplied).

Check valve blockage

Warning: Before connecting the air exhaust hose, make sure that the check valves are free to turn over freely.



For hoods with outside air exhaust, fit a check valve to prevent wind and returning air from entering.

Recirculation model

If it is not possible to fit an exhaust flue for smoke and fumes to be discharged outside, it is possible to use the recirculation model. Carbon filters are required for this type of hood. The recycled air is discharged back into the kitchen via a pipe that conveys it out through one side of the unit (Fig. 14 bis).



Installation must conform to the regulations in force regarding the ventilation of enclosed environments. In particular, discharged air must not be channelled into a conduit used for exhaust discharge or discharge from devices that operate with gas or other combustible materials. The use of unused conduits is not permissible without the approval of a qualified technician.

The product can be installed at a distance of less than 65 cm from the cook top, according to the standard EN60335-2-31:1997.

– REMOVAL OF THE FILTER ALUMINIUM CARTRIDGE – MOUNTING THE CARBON FILTER

The removal and fitting of the grease and carbon filters need to be carried out with the downdraft in the open position. To open the downdraft, push the ON/1 key. Then remove the front panel, pushing the upper part of each side at the same time. The panel will rotate forwards to make it possible to access the grease filters (Fig. 16). Remove the grease filters to access the carbon filters (Fig. 17). The carbon filters should be changed according to the frequency of downdraft use and in any case, once every 6 months.

- ELECTRICAL HOOK UP OF THE HOOD

WARNING: Place the metal box containing the electronic components at a distance of no less than 65 cm from gas-operated cook tops or in any case, 65 cm from the extraction point of the hood.

RECOMMENDATION: We recommend installing the metal box containing the electronic components at least 10 cm above floor level and at a suitable distance from all heat sources (e.g. oven sides or cook top).



This appliance is fitted with an H05 VVF 3 conductor, 0.75 mm² (neutral, phase, and ground) power cable. This can be hooked up to a 220 - 240 V mono-phase electrical network by way of a CEI 60083 regulation power socket that must remain accessible after installation, in conformity to installation regulations.

We decline all responsibility in case of accident caused by a lack of ground connection or incorrect ground connection. The fuse used must be 10 or 16 A. If the power cable is damaged, call the after-sales service to avoid any risk.

Attention

If the hood presents some form of anomaly, unplug the appliance or remove the fuse corresponding to the appliance's power line.

If the appliance has no plug or if the plug is not easily accessible, then a device needs to be fitted to cut it off from the mains electricity; this device must have an opening distance between contacts on all poles of at least 3 mm.

ELECTRICAL HOOK UP

This appliance conforms to the European Directives 2006/95/EC (Low Voltage Directive) and 2004/108/EC (Electromagnetic Compatibility).

When you install the appliance and carry out maintenance, it must be unplugged from the power source or the fuses must be disengaged or removed. Electrical hook up must be carried out before the appliance is installed in the cabinet.

Check that:

- the power source is sufficient,
- power cords are in good condition,
- The diameter of the cables conforms to installation regulations.

Model SDD3 STANDARD VERSION (Fig. 22)

A: Extraction panel down/OFF switch

This serves to close the extraction panel either completely or in intermediate positions above 180 mm from the cook top. When the extraction panel is being closed, it will remain in operation until it reaches 180 mm above the cook top. Below this height, the extraction function will switch off automatically.

B: Extraction panel up ON/Speed 1

This serves to bring the extraction panel up to a maximum height of 300 mm and to automatically set the first extraction speed when the panel reaches a height of 180 mm. Pressing the button when this height is reached makes it possible to place the extraction panel in the required intermediate positions, up to a maximum of 300 mm, while leaving the extraction speed of the motor unchanged.

C: Speed 2 switch

D: Speed 3 switch

E: Speed 4 switch

These serve to set the respective suction speeds after the extraction panel has reached 180 mm above the cook top and to set the height of the extraction panel to a maximum of 300 mm by pressing the same button.

F: 10-minute timer

This is used to switch off the extraction system automatically as well as to close the extraction panel 10 minutes after it has been enabled.

Model SDD3 TOUCH CONTROL VERSION (Fig. 15)

OFF switch: (Fig. 15) It is used to close the aspiration panel completely or to position it at intermediate heights at least mm 180 above the cooktop. While closing the aspiration panel keeps on working at the speed set up to the height of mm 180 from the cooktop. Below this height the aspiration function is automatically cut out.

On switch/ +: (Fig. 15) It is used to extract the aspiration panel up to the maximum height of mm. 300 and to set automatically the first aspiration speed when reaching the height of mm 180 from the cooktop.

When pressing the button again after reaching this height, the aspiration motor speed can be increased.

If the aspiration panel is positioned at an intermediate height between mm 180 and mm 300, the aspiration panel can start raising again by pressing first the OFF switch and then the On/+ Switch.

Leds: (Fig. 15) The different speed levels are indicated by blue leds. (1. Speed level corresponds to the led down on the left).

MINUS SWITCH: (Dis. 15) it is working only if the position reached by the aspiration panel is higher than mm 180 from the cooktop. It is used to decrease the aspiration motor speed.

TIMER SWITCH: (Fig. 15) : it is used to stop automatically the aspiration system and to close automatically the aspiration panel ten minutes it has been set.

Other functions:

- After 30 hours of appliance operation, the pushbutton panel indicates saturation of the grease filters by the buttons flashing. To reset, press the timer button.
- After 4 hours of continuous operation from the last setting, the appliance turns off and closes automatically.
- When the front panel is removed for cleaning and maintenance operations, all the electronic aspiration and movement functions are locked.
- Anti pinching safety device: if anything is obstructing the closure operation of the down-draft, the operation will stop and the downdraft will move up again.

Careful maintenance helps guarantee proper operation and good results from an appliance over time.



The hood must be unplugged from the electrical power source, both by unplugging the appliance from the socket as well as de-activating the breaker, before removing the metal filters. After cleaning, you must replace the metal filters as outlined in the instructions.

MAINTENANCE	HOW TO PROCEED?	ACCESSORY PRODUCTS TO USE
External surfaces and accessories	Do not use metallic scrubbers, abrasive products, or hard brushes.	To clean the external surfaces of the hood and the light housing screen use only commercially available household detergents diluted in water. Then rinse with clean water and dry with a soft cloth.
Grease filter	After 30 hours' operation, the button pad will signal that the grease filter is saturated by flashing the 4 speed LEDs. Press the timer button to reset ⊕.	The grease filters can be washed by hand or in the dishwasher. These filters need to be cleaned on a regular basis because otherwise they may present a fire risk. Refit the grease filters and front panel, making sure that the panel is properly fitted at the sides so that it does not cause the downdraft to stop operating.
Active carbon filter	In the recirculation mode, you must substitute the active carbon filter periodically. To remove the carbon filter it is necessary first of all to remove the grease filter and then to pull the plastic key of the panel itself to remove it from its seating. Follow these steps in reverse order to insert the active carbon filter. Replace the used carbon filter on an average of every six months.	

5/ OPERATIONAL ANOMALIES

EN

SYMPTOM	SOLUTION
The hood does not work...	Check that: <ul style="list-style-type: none">• there is not a power outage.• a specific speed has actually been selected.
The hood has low output...	Check that: <ul style="list-style-type: none">• the motor speed selected is sufficient for the quantity of fumes steam present.• the kitchen is ventilated well enough to allow for air intake.• the carbon filter is not worn (hood n recirculation mode).
The hood stops in the middle of operation	Check that: <ul style="list-style-type: none">• there is not a power outage.• the omnipolar device has not tripped.

6/ AFTER SALES SERVICE

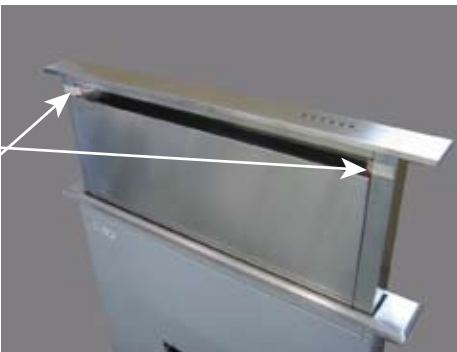
EN

Any maintenance on your equipment should be undertaken by:

- either your dealer,

- or another qualified mechanic who is an authorized agent for the brand appliances.

When making an appointment, state the full reference of your equipment (model, type and equipment). This information appears on the manufacturer's nameplate attached to your equipment.





7



8



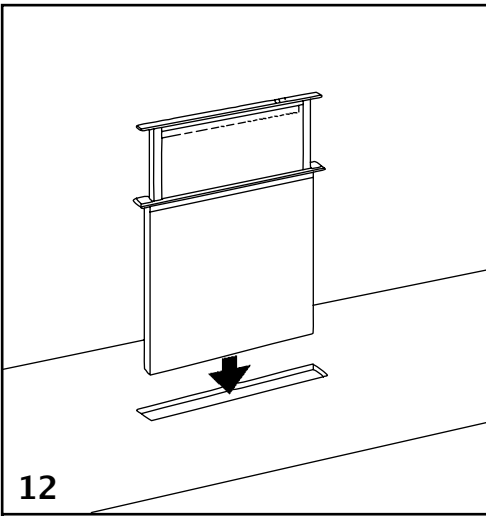
9



10

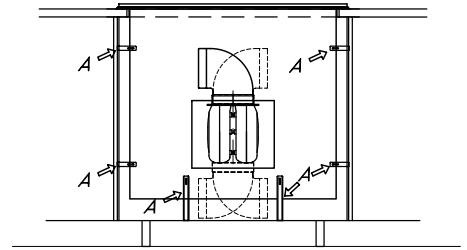


11

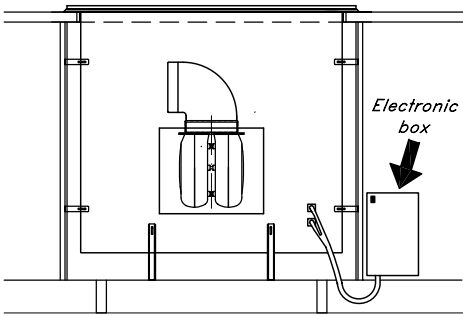


12

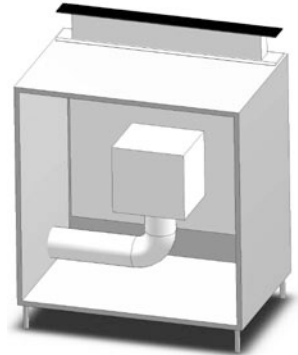
With motor on board



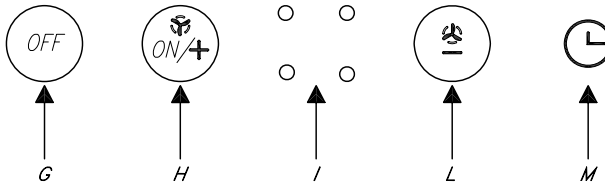
13



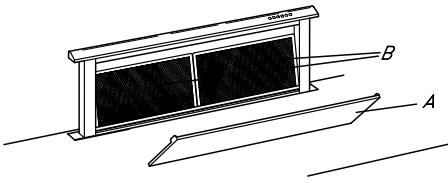
14



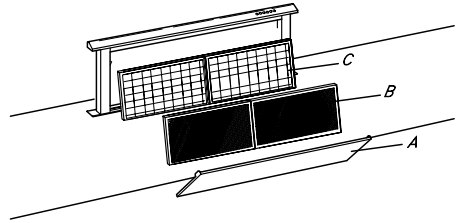
14 bis



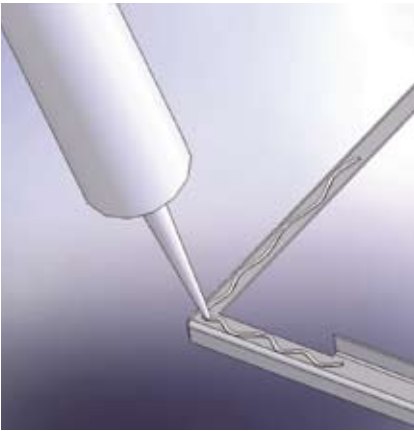
15



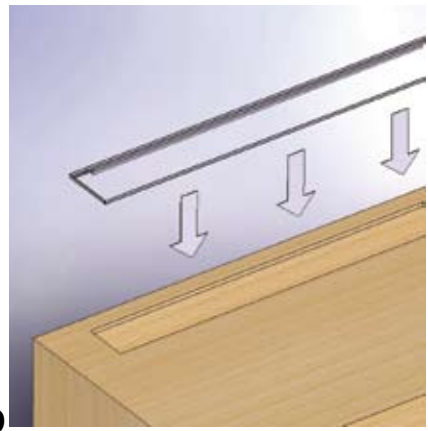
16



17



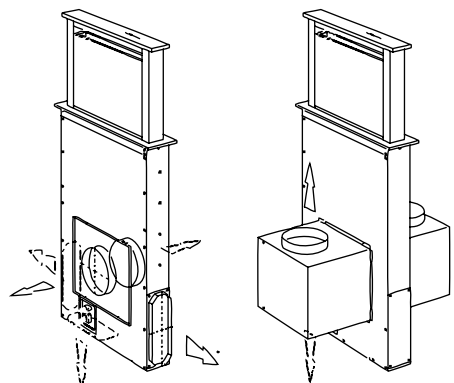
18



19



20



21

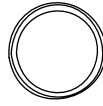
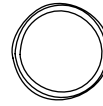
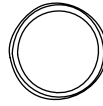
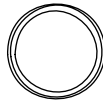
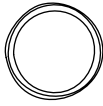
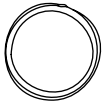
OFF

ON/1

2

3

4



A

B

C

D

E

F

22

Free Manuals Download Website

<http://myh66.com>

<http://usermanuals.us>

<http://www.somanuals.com>

<http://www.4manuals.cc>

<http://www.manual-lib.com>

<http://www.404manual.com>

<http://www.luxmanual.com>

<http://aubethermostatmanual.com>

Golf course search by state

<http://golfingnear.com>

Email search by domain

<http://emailbydomain.com>

Auto manuals search

<http://auto.somanuals.com>

TV manuals search

<http://tv.somanuals.com>