

FW187

Features

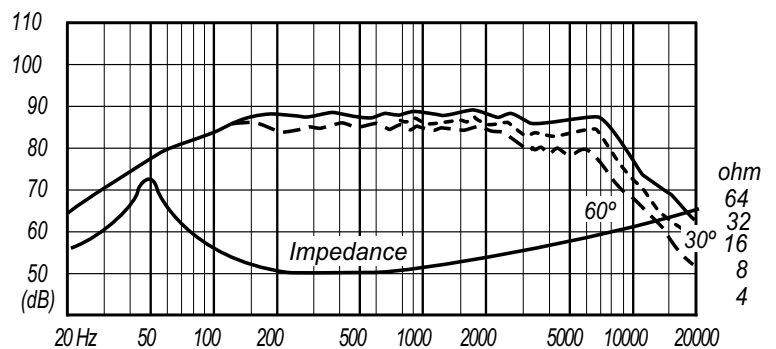
- ◆ 180mm (7 in) cone type full range
- ◆ 8 ohm impedance
- ◆ fo to 5kHz frequency response
- ◆ 90dB sensitivity at 1W/1m (3.3ft)
- ◆ 2.8kg (6.17 lb) net weight



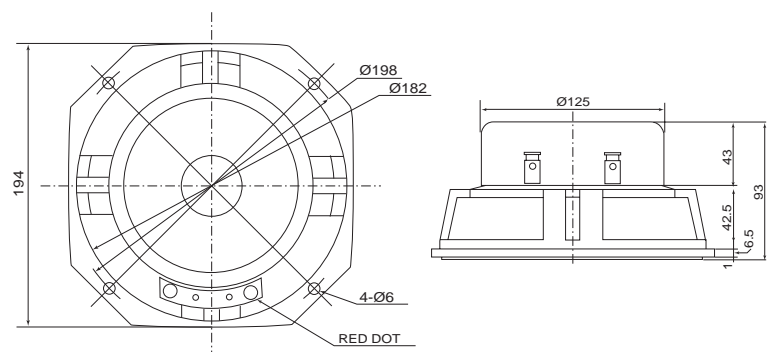
Specifications & Thiele/Small Parameters

Impedance	: 8 ohm
Minimum Frequency Response	: 30Hz
Reproduction Frequency Response	: fo - 5kHz
S.P.L.	: 90dB/W (m)
Rated Input	: 34W
Music Power	: 100W
Equivalent Diaphragm Radius	: 80mm (3.15 in)
Equivalent Mass	: 25g (0.055 lb)
Magnet Weight (main)	: 567.5g (1.25 lb)
(cancel)	: 263.9g (0.58 lb)
Net Weight	: 2.8kg (6.17 lb)
Fs	: 30Hz
Re	: 7.8 ohm
Qts	: 0.31
Qms	: 4.23
Qes	: 0.33
Vas	: 59.97 L
Xmax	: 4.0mm (0.15 in)
no	: 0.518%

Frequency Response / Impedance



Dimensions & Mounting Information



Free Manuals Download Website

<http://myh66.com>

<http://usermanuals.us>

<http://www.somanuals.com>

<http://www.4manuals.cc>

<http://www.manual-lib.com>

<http://www.404manual.com>

<http://www.luxmanual.com>

<http://aubethermostatmanual.com>

Golf course search by state

<http://golfingnear.com>

Email search by domain

<http://emailbydomain.com>

Auto manuals search

<http://auto.somanuals.com>

TV manuals search

<http://tv.somanuals.com>