

FE208Σ

Features

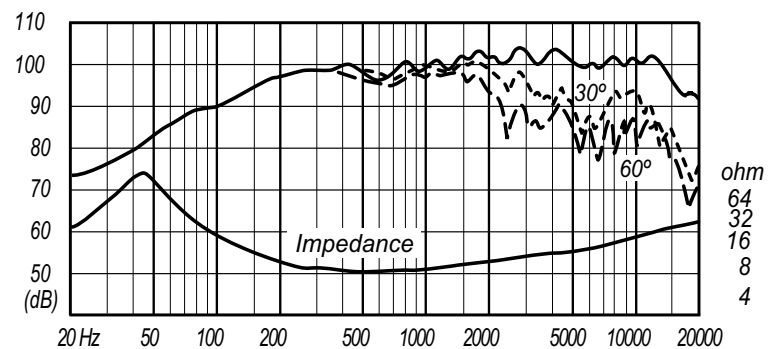
- ◆ 200mm (8 in) double cone type full range
- ◆ 8 ohm impedance
- ◆ fo to 20kHz frequency response
- ◆ 96.5dB sensitivity at 1W/1m (3.3ft)
- ◆ 3.8kg (8.38 lb) net weight



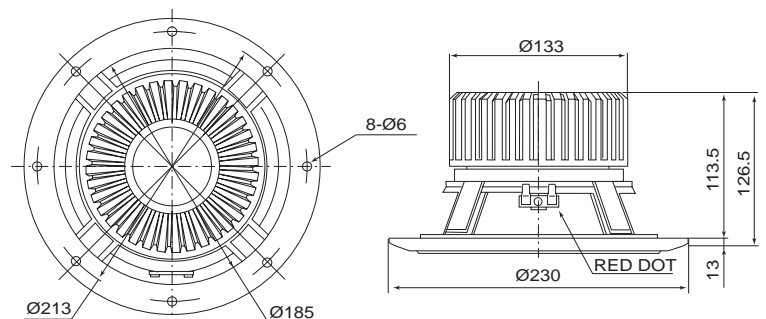
Specifications & Thiele/Small Parameters

Impedance	: 8 ohm
Minimum Frequency Response	: 45Hz
Reproduction Frequency Response	: fo - 20kHz
S.P.L.	: 96.5dB/W (m)
Rated Input	: 34W
Music Power	: 100W
Equivalent Diaphragm Radius	: 81mm (3.19 in)
Equivalent Mass	: 12g (0.026 lb)
Magnet Weight	: 1.7kg (3.86 lb)
Net Weight	: 3.8kg (8.38 lb)
Fs	: 45Hz
Re	: 6.7 ohm
Qts	: 0.21
Qms	: 4.03
Qes	: 0.23
Vas	: 36.9 L
Xmax	: 0.75mm(0.029 in)
no	: 2.03%

Frequency Response / Impedance



Dimensions & Mounting Information



Free Manuals Download Website

<http://myh66.com>

<http://usermanuals.us>

<http://www.somanuals.com>

<http://www.4manuals.cc>

<http://www.manual-lib.com>

<http://www.404manual.com>

<http://www.luxmanual.com>

<http://aubethermostatmanual.com>

Golf course search by state

<http://golfingnear.com>

Email search by domain

<http://emailbydomain.com>

Auto manuals search

<http://auto.somanuals.com>

TV manuals search

<http://tv.somanuals.com>