

# FE206E

## Features

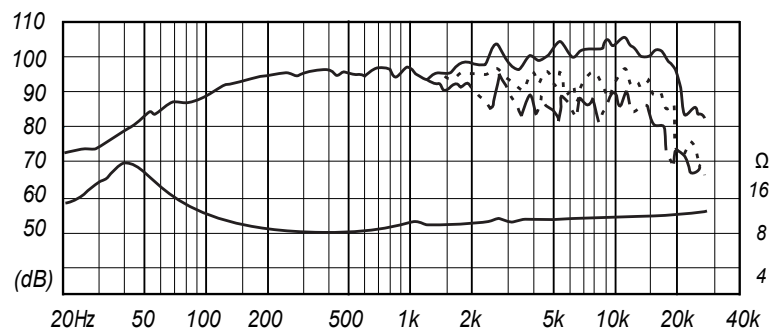
- 'ES cone' paper made of banana plant's fiber
- $\varnothing$  110mm large ferrite magnet
- Newly designed center cap



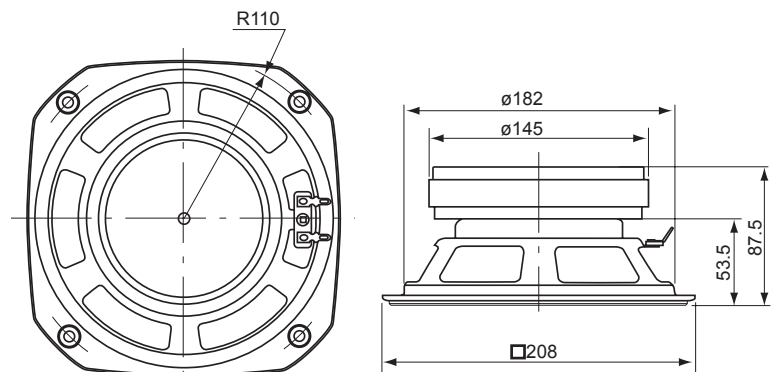
## Specifications & Thiele/Small Parameters

Size	:	200 mm / 8 in
Voice Coil Diameter	:	35 mm / 1.4 in
Cast / Stamped	:	Stamped
Impedance	:	8 $\Omega$
Reproduction Frequency Response	:	f0 - 20 kHz
Sound Pressure Level	:	96 dB/W(m)
Rated Input	:	30 W
Music Power	:	90 W
Magnet Material	:	Ferrite
Magnet Weight	:	
(main)	:	1,067 g / 2.352 lb
(cancel)	:	n/a g / n/a lb
Net Weight	:	3,350 g / 7.385 lb

## Frequency Response / Impedance



## Dimensions & Mounting Information



a	:	81 mm
D	:	162 mm
Sd	:	0.02061 m <sup>2</sup>
Zn	:	8 $\Omega$
Fs	:	39 Hz
Re	:	6.69 $\Omega$
Le	:	n/amH
Qms	:	3.73
Qes	:	0.18
Qts	:	0.18
Mms	:	15.35 g
BL	:	11.82 Telsa/m
Vas	:	54.53 L
Xmax	:	1.5 mm
Eff/ $\eta$ 0	:	1.73 %
Cms	:	0.00091 mm/N
EBP	:	217

Overall Diameter	:	208 mm / 8 in
Baffle Hole Diameter	:	145 mm / 5.7 in
Depth	:	87.5 mm / 3 in

## Free Manuals Download Website

<http://myh66.com>

<http://usermanuals.us>

<http://www.somanuals.com>

<http://www.4manuals.cc>

<http://www.manual-lib.com>

<http://www.404manual.com>

<http://www.luxmanual.com>

<http://aubethermostatmanual.com>

Golf course search by state

<http://golfingnear.com>

Email search by domain

<http://emailbydomain.com>

Auto manuals search

<http://auto.somanuals.com>

TV manuals search

<http://tv.somanuals.com>