



FT17H

Features

- High cost performance horn tweeter
- Well extended high frequency, 5kHz to 50kHz
- Shielded magnet circuit is employed

Specifications

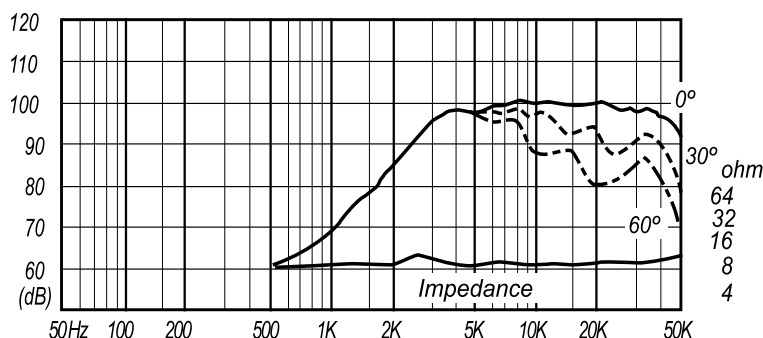
&

Thiele/Small Parameters

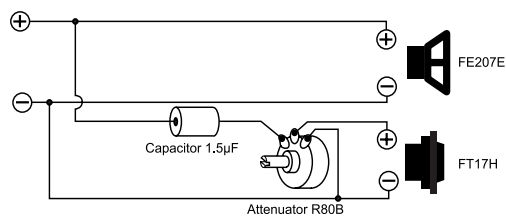
Impedance	: 8 Ω
Reproduction Frequency Response	: 5 kHz - 50 kHz
S.P.L.	: 98.5 dB/W(m)
Power Handling	: 30 W (music)
Cutoff Frequency	: 2.6 kHz
Recommended Crossover Frequency	: 5 kHz or more
Magnet Weight	: 113.5 g / 0.25 lb
Net Weight	: 340 g / 0.75 lb



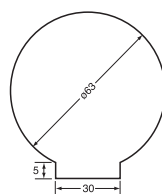
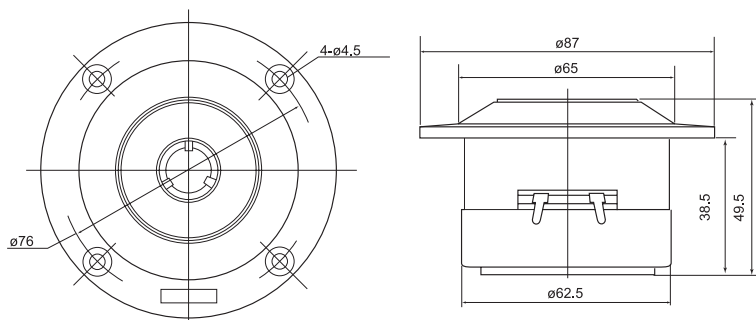
Frequency Response / Impedance



Configuration Example



Dimensions & Mounting Information



Overall Diameter	: 87 mm / 3.5 in
Baffle Hole Diameter	: 65 mm / 2.6 in
Depth	: 49.5 mm / 1.9 in

Free Manuals Download Website

<http://myh66.com>

<http://usermanuals.us>

<http://www.somanuals.com>

<http://www.4manuals.cc>

<http://www.manual-lib.com>

<http://www.404manual.com>

<http://www.luxmanual.com>

<http://aubethermostatmanual.com>

Golf course search by state

<http://golfingnear.com>

Email search by domain

<http://emailbydomain.com>

Auto manuals search

<http://auto.somanuals.com>

TV manuals search

<http://tv.somanuals.com>