



FW208N

Features

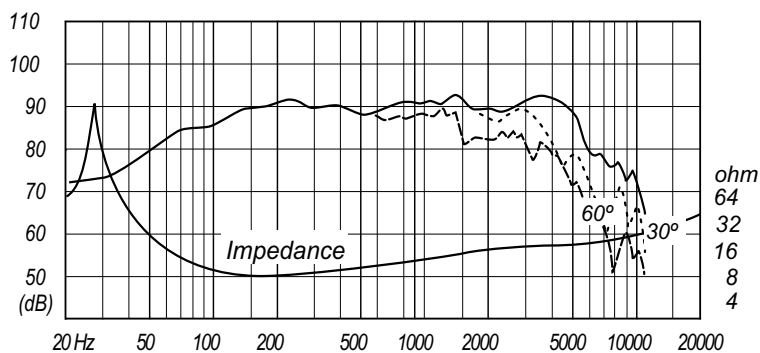
- ◆ 200mm (8 in) cone type full range
- ◆ 8 ohm impedance
- ◆ fo to 5kHz frequency response
- ◆ 90dB sensitivity at 1W/1m (3.3ft)
- ◆ 4.62kg (10.2 lb) net weight



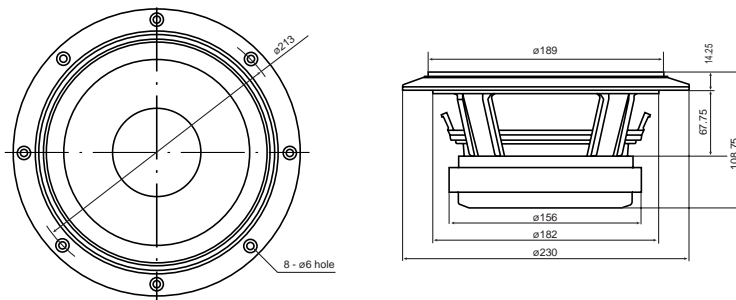
Specifications & Thiele/Small Parameters

Impedance	: 8 ohm
Minimum Frequency Response	: 29Hz
Reproduction Frequency Response	: fo - 5kHz
S.P.L.	: 90dB/W (m)
Rated Input	: 34W
Music Power	: 100W
Equivalent Diaphragm Radius	: 81mm (3.19 in)
Equivalent Mass	: 40g (0.088 lb)
Magnet Weight	: 1.41kg (3.10 lb)
Net Weight	: 4.62kg (10.18 lb)
Fs	: 29Hz
Re	: 5.8 ohm
Qts	: 0.2
Qms	: 13.2
Qes	: 0.21
Vas	: 43.423 L
Xmax	: 6.5mm (0.256 lb)
no	: 0.485%

Frequency Response / Impedance



Dimensions & Mounting Information



Free Manuals Download Website

<http://myh66.com>

<http://usermanuals.us>

<http://www.somanuals.com>

<http://www.4manuals.cc>

<http://www.manual-lib.com>

<http://www.404manual.com>

<http://www.luxmanual.com>

<http://aubethermostatmanual.com>

Golf course search by state

<http://golfingnear.com>

Email search by domain

<http://emailbydomain.com>

Auto manuals search

<http://auto.somanuals.com>

TV manuals search

<http://tv.somanuals.com>