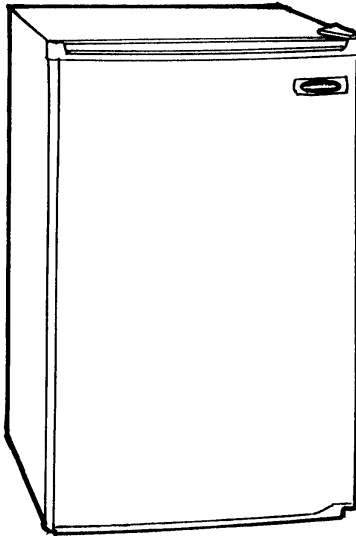


Franklin Chef™

*Compact Refrigerator
Refrigerador compacto
Réfrigérateur compact*



Be sure that refrigerator is standing upright 24 hours prior to plug-in

Use & Care Guide (pages 1 - 7)

Guía de use y cuidado (páginas 8 - 13)

Guide d'emploi et soin (pages 14 - 17)

Models covered/Incluye los modelos/Modèles expliqués compris:

FC-380 Series



Franklin Industries, L.L.C.

4100 First Avenue

Brooklyn, New York 11232-3321

Tel.: 1-877-261-9867

E-mail: customerservice@franklinchef.com

IMPORTANT SAFEGUARDS

Read all instructions before using this appliance. When using this appliance, always exercise basic safety precautions, including the following:

1. Use this appliance only for its intended purpose as described in this instruction manual.
 2. This refrigerator must be properly installed in accordance with the installation instructions before it is used. See grounding instructions in the Installation section.
 3. This refrigerator should not be recessed or built-in. It is designed for free-standing installation only.
 4. If refrigerator is placed on a counter top or stand, the front surface of the door should be 3" or more back from the edge of the counter top or stand to avoid accidental tipping of the appliance during normal usage.
 5. Never unplug your refrigerator by pulling on the power cord. Always grip plug firmly and pull straight out from the outlet.
 6. Repair or replace immediately all electric service cords that have become frayed or otherwise damaged. Do not use a cord that shows cracks or abrasion damage along its length or at either the plug or connector end.
 7. If your old refrigerator is still around the house but not in use, be sure to remove the doors. This will reduce the possibility of danger to children.
 8. After your refrigerator is in operation, do not touch the cold surfaces in the freezer compartment, particularly when hands are damp or wet. Skin may adhere to these extremely cold surfaces.
 9. Don't refreeze foods which have been thawed completely. The United States Department of Agriculture in *Home and Garden Bulletin No. 69* says:
"... You may safely refreeze frozen foods that have thawed if they still contain ice crystals or if they are still cold ? below 40°F."
"... Thawed ground meats, poultry, or fish that have any off-odor or off-color should not be refrozen and should not be eaten. Thawed ice cream should be discarded. If the odor or color of any food is poor or questionable, get rid of it. The food may be dangerous to eat."
"... Even partial thawing and refreezing reduce the eating quality of foods, particularly fruits, vegetables, and prepared foods. The eating quality of red meats is affected less than that of many other foods. Use refrozen foods as soon as possible to save as much of their eating quality as you can."
 10. Do not use any electrical device or any sharp instrument in defrosting your refrigerator.
 11. Unplug your refrigerator before cleaning or before making any repairs.
- Note:** We strongly recommend that any servicing be performed by a qualified individual.
12. Do not operate your refrigerator in the presence of explosive fumes.

SAVE THESE INSTRUCTIONS

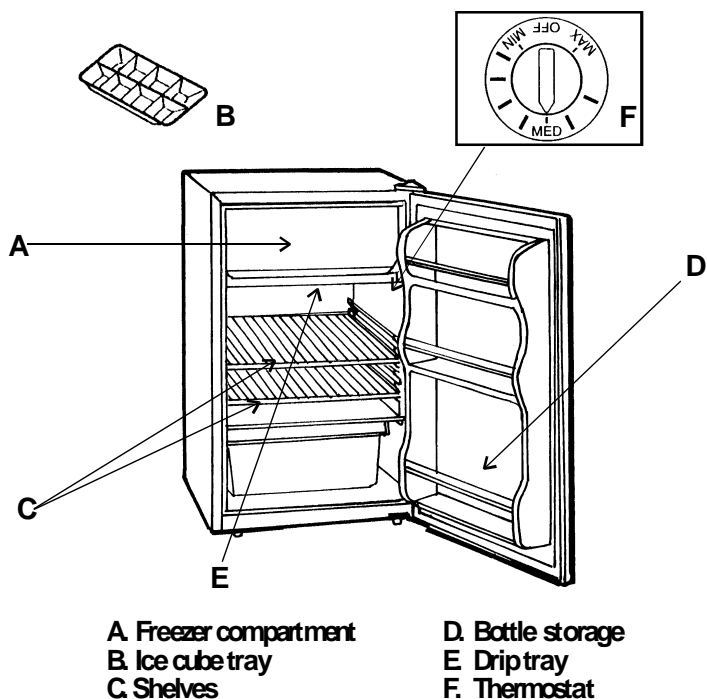
Danger!

Avoid risk of child entrapment! Before throwing away an old refrigerator or freezer, take off the doors and remove the shelves so that children cannot easily climb inside.

Table of Contents

Safety Instructions	1
Location of Parts	2
Energy-Saving Tips	3
Refrigerator Installation	3
Operating Your Refrigerator	4
Care and Cleaning	5
Defrosting	5
Troubleshooting	6
Limited Warranty	7

Location of Parts



Energy-Saving Tips

- ✘ Do not place your refrigerator next to a heating vent, a range or in direct sunlight.
- ✘ Keep the door closed as much as possible, especially in hot, humid weather.
- ✘ Defrost the freezer compartment whenever frost becomes $\frac{1}{4}$ inch thick.
- ✘ Cover foods to reduce moisture buildup inside the refrigerator.

Refrigerator Installation

The refrigerator is designed for free-standing installation only. It should not be recessed or built in. Install the refrigerator on a base strong enough to support it when fully loaded. If the base is not level, adjust the feet of the refrigerator. Allow air to circulate freely around the refrigerator. The following clearances permit proper air circulation: top – 4", back – 3", sides – 3".

Electrical Connection

Important: For personal safety, this appliance must be properly grounded.

In the event of an electrical short circuit, grounding reduces the risk of electric shock by providing an escape wire for the electric current. This appliance is equipped with a cord having a grounding wire with a grounding plug. The plug must be inserted into an outlet that is properly installed and grounded. Consult a qualified electrician or service center if the grounding instructions are not completely understood. If doubt exists as to whether the appliance is properly grounded, have a qualified electrician check the circuit to make sure the outlet is properly grounded.

Do not, under any circumstances, cut or remove the third (ground) prong from the power cord.

Use of Extension Cords

Avoid the use of an extension cord because of potential safety hazards under certain conditions. If it is necessary to use an extension cord, use only a 3-wire extension cord that has a 3-blade grounding plug and a 3-slot outlet that will accept the plug. The marked rating of the extension cord must be equal to or greater than the electrical rating of the appliance.

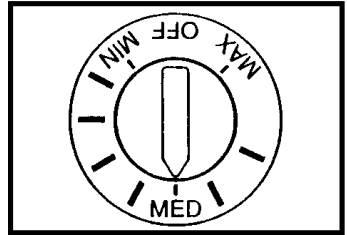
Operating Your Refrigerator

Please do not plug in the refrigerator for 24 hours after unit is set in place. Failure to do so may result in the unit working improperly.

Thermostat

The thermostat has settings from MIN to MAX, plus OFF.

MIN is the warmest. MAX is the coldest. Initially set the thermostat to MED.



After using the refrigerator for 24 hours, adjust the thermostat to the setting that is best suited to your needs. Turning the thermostat to **OFF** stops the cooling cycle but does not shut off power to the refrigerator.

Important: If you unplug or turn off the refrigerator, allow 3 minutes before restarting it or plugging it back in. It will not restart in less than 3 minutes.

Freezer Compartment and Use of the Ice Cube Trays

This compartment is designed for making ice cubes and for short-term food storage (a few days at most). This compartment is not cold enough to freeze foods safely for extended periods of time.

- ? To make ice cubes, fill the tray with water and place inside the compartment.
- ? To release ice cubes, hold tray upside down over an ice bucket or bowl, and twist tray at both ends.
- ? If ice cube tray freezes to the floor, pour a little warm water around it to loosen it. Do not use boiling water which can damage plastic parts, or sharp metal objects such as a knife or screwdriver which can damage the cooling system tubing.

Wash tray in lukewarm water only. Do not wash in the dishwasher.

Shelving

The refrigerator has shelves that can be moved to different levels to suit your food storage needs. The door shelves provide storage for small and large items and a bottle storage area for tall bottles.

Care and Cleaning

Cleaning the Outside

Clean the outside of the refrigerator with a mild solution of soapy water. Dry thoroughly with a soft cloth. To clean the door gasket, use only mild, soapy water. Never use harsh cleansers or scouring pads to clean any part of the refrigerator.

Cleaning the Inside

Unplug the refrigerator and remove food, shelves and trays. Wash inside with warm water and baking soda solution (about two tablespoons of baking soda to a quart of water.) Then rinse and dry. Do not use cleansers such as soaps, detergents, scouring powder or spray cleaners which can cause odors inside the refrigerator.

Wash the ice cube tray, drip tray and shelves in mild detergent solution and dry with a soft cloth. To help prevent odors, leave an open box of baking soda in the refrigerator. Change the box every three months.

Do not wash any plastic parts from your refrigerator in the dishwasher. NEVER USE ACIDS, GASOLINE/PAINT THINNER FOR CLEANING ANY PART OF THE REFRIGERATOR. Never use boiling water which can deform plastic parts.

Defrosting

Defrost whenever frost on the wall of the freezer compartment becomes $\frac{1}{4}$ " thick. Never use a sharp or metallic instrument to remove frost as it may damage the cooling coils. (A punctured cooling coil will cause serious problems and void the warranty.) We recommend using a plastic scraper.

To defrost, remove foods and ice cube tray from the freezer compartment. Put drip tray in place, and set thermostat to **OFF** position. Defrosting usually takes a few hours. To defrost faster, keep the door open and place a bowl of warm water in the refrigerator. After defrosting, empty water from the drip tray.

Wash the drip tray in warm water. Wipe the freezer compartment with a damp cloth. Turn the thermostat to the desired setting and return food and ice tray to the refrigerator.

Troubleshooting

Refrigerator does not operate

- Not plugged in.
- Thermostat is in **OFF** position.
- Circuit breaker tripped or fuse blown.

Turns on and off frequently

- This is normal. Small refrigerators cycle more than larger ones.

Seems to run too long

- Check for proper clearances.
- Frequent door openings let cold air escape.

Refrigerator too warm

- Check if door is fully closed.
- Check setting of thermostat.
- Have you put large amounts of warm food into the refrigerator recently?
- Are the shelves overcrowded?

Noise or vibration

- Check to be sure that refrigerator is level. Adjust the feet to make it level.

Cabinet has odor

- Foods with strong odors should be tightly covered.
- Check for spoiled food.
- Interior may need cleaning.
- Keep an open box of baking soda in refrigerator. (Replace every 3 months.)

Limited Warranty

Franklin Industries, L.L.C., warrants this product to be free from defects in materials and workmanship for a period of one year from the date of the original purchase or delivery. Any parts which are determined to be defective will be replaced or repaired by Franklin at no charge as long as it has been determined that the unit was operated in accordance with the instructions attached or furnished with the product.

This warranty covers units only in the continental United States and does not cover the following:

- Damage from improper voltage or installation
- Damage in shipping
- Defects other than manufacturing defects
- Damage from other than household use
- Glass, trim or light bulb
- Labor or repairs after the initial 12-month period
- Damage from abuse, misuse, accident, alteration or lack of proper care or maintenance.

Commercial use warranty is limited to 90 days parts and labor.

This limited warranty is given in lieu of all other warranties expressed or implied. This warranty does not cover incidental or consequential damages.

This warranty provides you with specific legal rights and you may have other rights which vary from state to state.

For warranty service, contact

Franklin Industries, L.L.C.
4100 First Avenue
Brooklyn, NY 11232-3321

Free Manuals Download Website

<http://myh66.com>

<http://usermanuals.us>

<http://www.somanuals.com>

<http://www.4manuals.cc>

<http://www.manual-lib.com>

<http://www.404manual.com>

<http://www.luxmanual.com>

<http://aubethermostatmanual.com>

Golf course search by state

<http://golfingnear.com>

Email search by domain

<http://emailbydomain.com>

Auto manuals search

<http://auto.somanuals.com>

TV manuals search

<http://tv.somanuals.com>