

# FACTORY PARTS CATALOG WASHER

*Frigidaire*  
G A L L E R Y



PRODUCT NO.	BASE MODEL NO.	COLOR
GLWS1649AS1	GLWS1649A	White

WIRING DIAGRAM - # 134125700  
OWNER'S GUIDE - # 131843000  
OPERATING INSTRUCTIONS - # 134074400

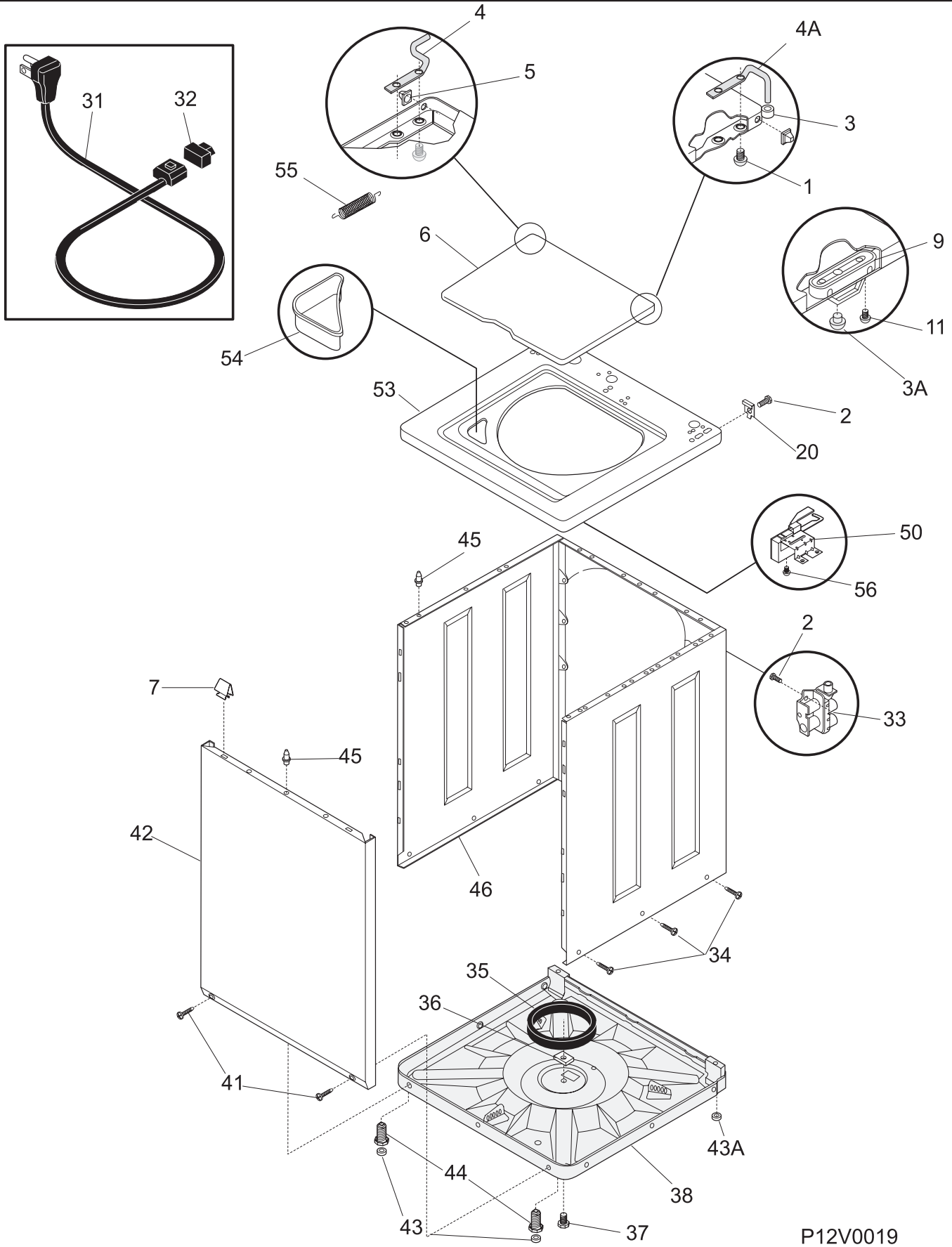
 **Electrolux**

ELECTROLUX HOME PRODUCTS NORTH AMERICA  
400 Des Moines St., Webster City IA 50595-1499

Publication No.  
5995369161  
020327  
ENG/SERVICE/JAM  
361

WASHER  
Model No.  
GLWS1649A

CABINET/TOP

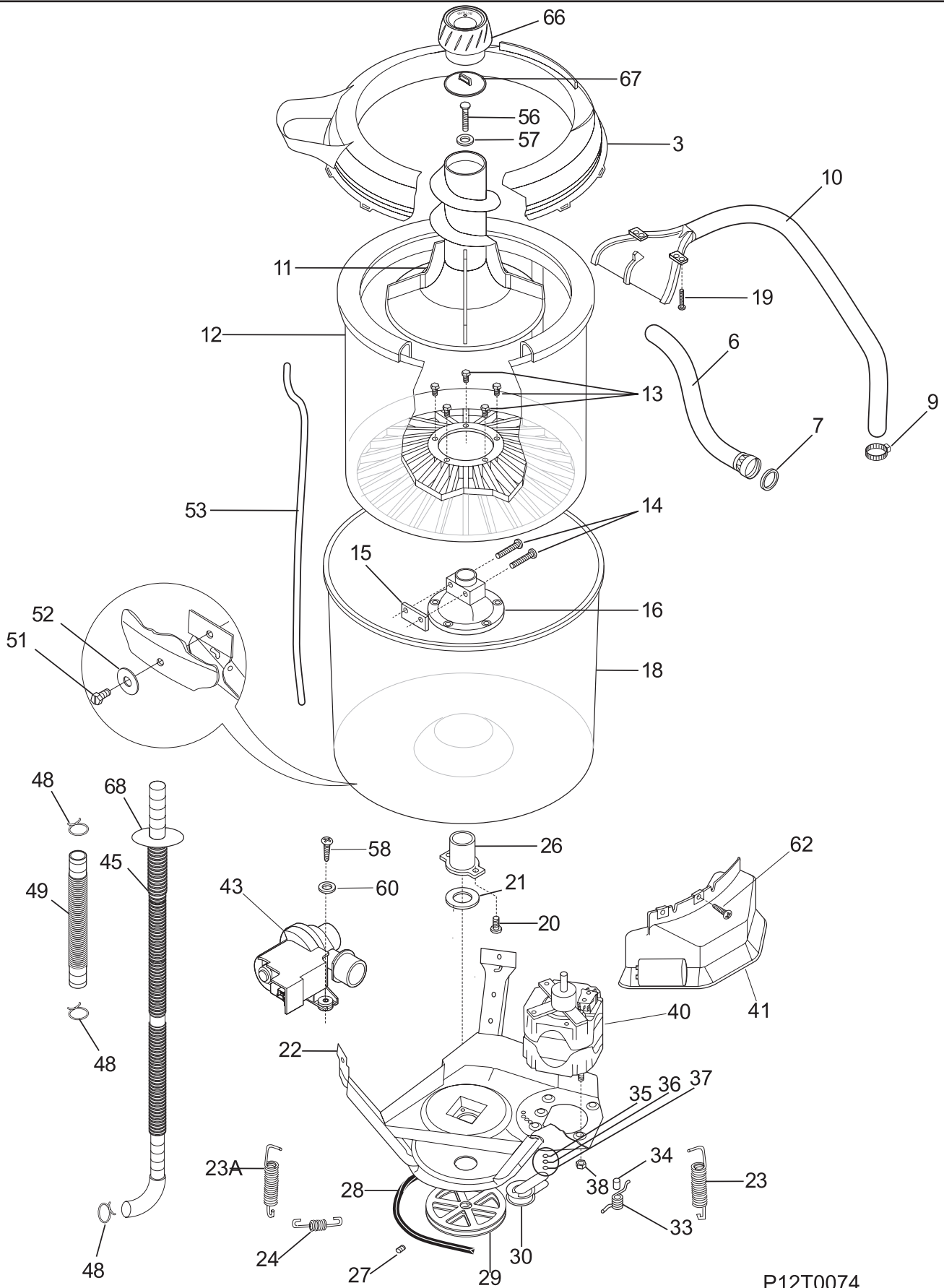


P12V0019

## CABINET/TOP

POS. NO	PART NO	DESCRIPTION
1	131587500	Screw-hinge, pph 45deg hdrpt, 6-32 x 0.3125
2	131168200	Screw, 8-18 x 0.31
3	131433300	Bumper-hinge
3A	134075500	Bumper-lid
4	131385910	Hinge-bar L.H.
4A	131374220	Hinge bar R.H.
5	5303208743	Grommet-lid
6	131374401	Lid, white, w/o inst.
7	3205821	Clip-top panel to front panel
9	131390000	Strike-lid
11	3204368	Screw-strike, pph b, 6-20 x .375
20	5303208751	Hinge-rear cabinet
31 #	134100800	Cord-service
32	5303209428	Bushing-cord
33 #	131389300	Valve-water
34	131205500	Screw-body, 1/4-14 x 0.625
35	5308002385	Ring-snobber
36	3204380	Block-shipping
37	131658900	Screw-shipping
38	5303311213	Base Assembly
41	131258400	Screw-front pnl, comb th ab, 10-16 x 0.500
42	131104303	Panel-front, white
43	131422100	Pad-leveling leg
43A	131422200	Pad-level leg
44	5303309673	Leg-leveling with pad
45	131346400	Pin-locating
46	134046600	Asmy-cabinet wht
50	134101800	Lock-lid
53	131452692	Panel-top blch wht FS wshr
54	5303208778	Dispenser-bleach
55	5303212876	Spring-lid
56	131243800	Screw-brkt top, pan hd locking, 8-32CA x 0.375, cr/sq drive
59	131744301	Barrier-noise
60	131362400	Fastener
*	5303309503	Clip-backsheet
*	131744202	Vibration damper

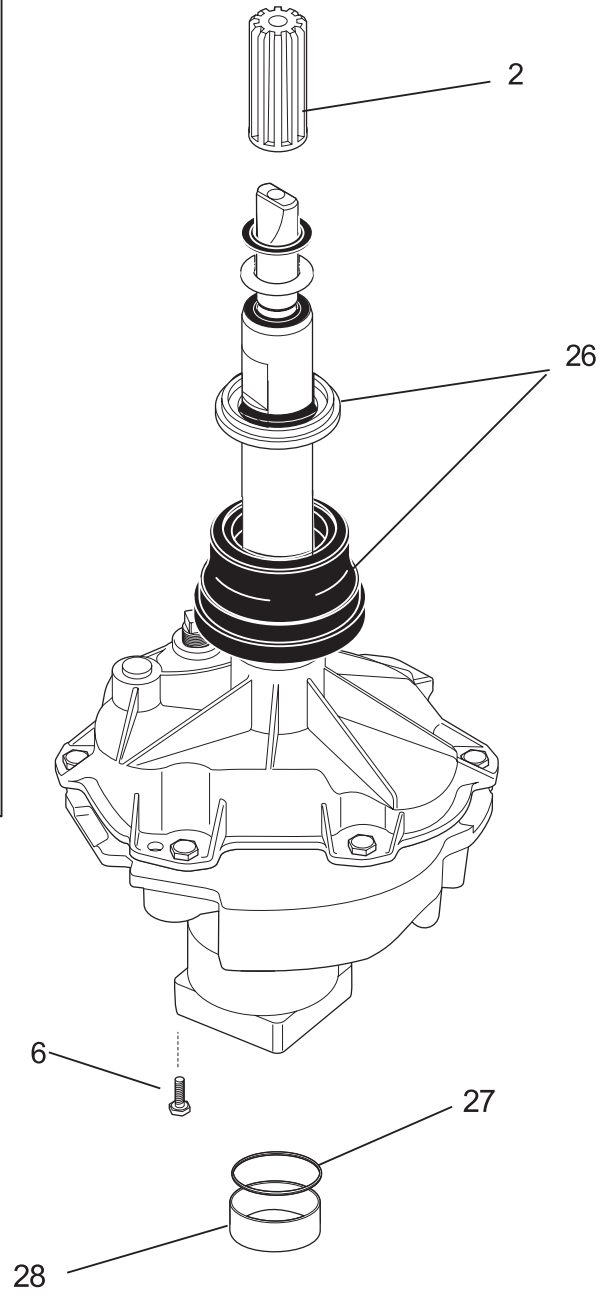
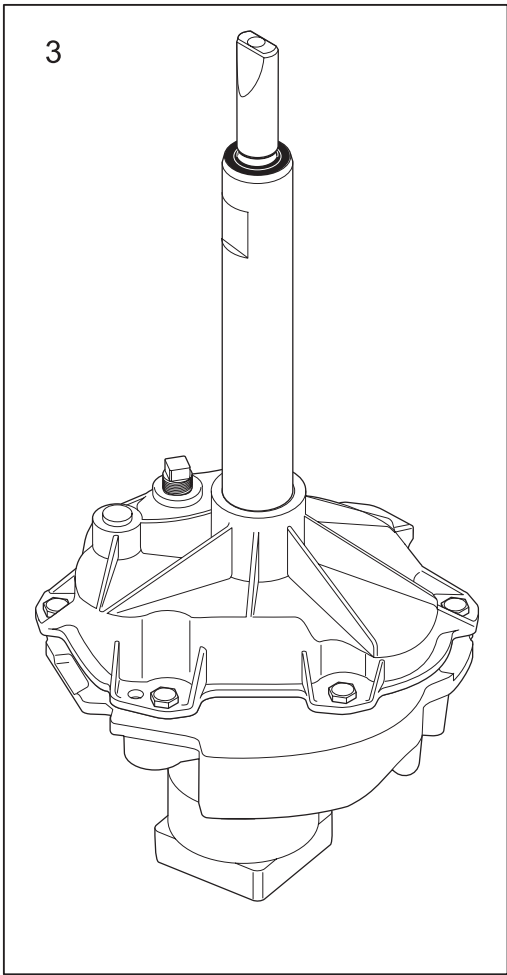
MOTOR/TUB



P12T0074

## MOTOR/TUB

POS. NO	PART NO	DESCRIPTION
3	131551102	Asmy-splash tub cover H+
4 #	131212301	Capacitor
6	5303271009	Hose-inlet
7	5303161296	Washer-inlet hose
9	5303304824	Clamp
10	131726300	Hose, nozzle & clamp
11	131605901	Assy-agitator-dual action
12	131221300	Tub-spin
13	5303283293	Screw-trunnion, unc2a x .625, .312-18 (5)
14	131192800	Screw-lockplate, hx, .312-18 x 1.625
15	5308001923	Lock Plate
16	131545101	Trunnion
18	131557201	Tub-splash, w/air dome, brng
19	131205300	Screw, 10-16 x .75
20	3205150	Screw-tub bearing, pph b st/z, 8-12 x 0.750
21	5308002401	Washer, spin bearing, upper
22	131373610	Leg & Dome Assy
23	5303208858	Spring-vertical, short
23A	5303208860	Spring-vertical
24	131373900	Spring-horizontal
26	3204405	Bearing-outer tub
27	5303304825	Screw-set, hhd cup pt, 5/16-18 x .85, pulley, transm.
28 #	131686100	Belt-washer
29	131498301	Pulley-transmission drive
30 #	131862900	Asmy-VAW idler arm
33	3204425	Spring-torsion
34	3204426	Sleeve-idler
35	3161433	Ring-retaining
36	5303261031	Washer-pivot shaft
37	5303161306	Washer-spring
38	5303318708	Nut-motor
40 #	131902700	Motor/pulley 3/4hp 2sp Emerson
41	131513300	Shield-motor
43 #	134051200	Asmy-pump
45 #	134049200	Hose-drain, 90 inch
48	131306234	Clamp-pump
49 #	131494800	Hose-pump to tub
51	131659000	Screw-leg, hwh typ23, 5/16-18 x .875
52	131315800	Washer-leg, id x .040, 1.25 od x .335
53	5300771996	Tube-pressure
56	131468900	Screw-agitator, hwh shldr, 5/16-18 x 1.250
57	131339600	Spacer-agitator
58	131303100	Screw-pump-to bracket
60	131304300	Washer .21 x .71 x .06
62	131258400	Screw-front pnl, comb th ab, 10-16 x 0.500
66	131624500	Cup/cap assy
67	131606210	Cap Assembly
68	131707800	Ring-drain hose
*	131462500	Clip-drain hose
*	131506500	Clip-drain hose
*	131663500	Cushion
*	131901400	Seal-splash tub cover
*	5303212877	Insert-spring adj
*	5303309503	Clip-backsheet



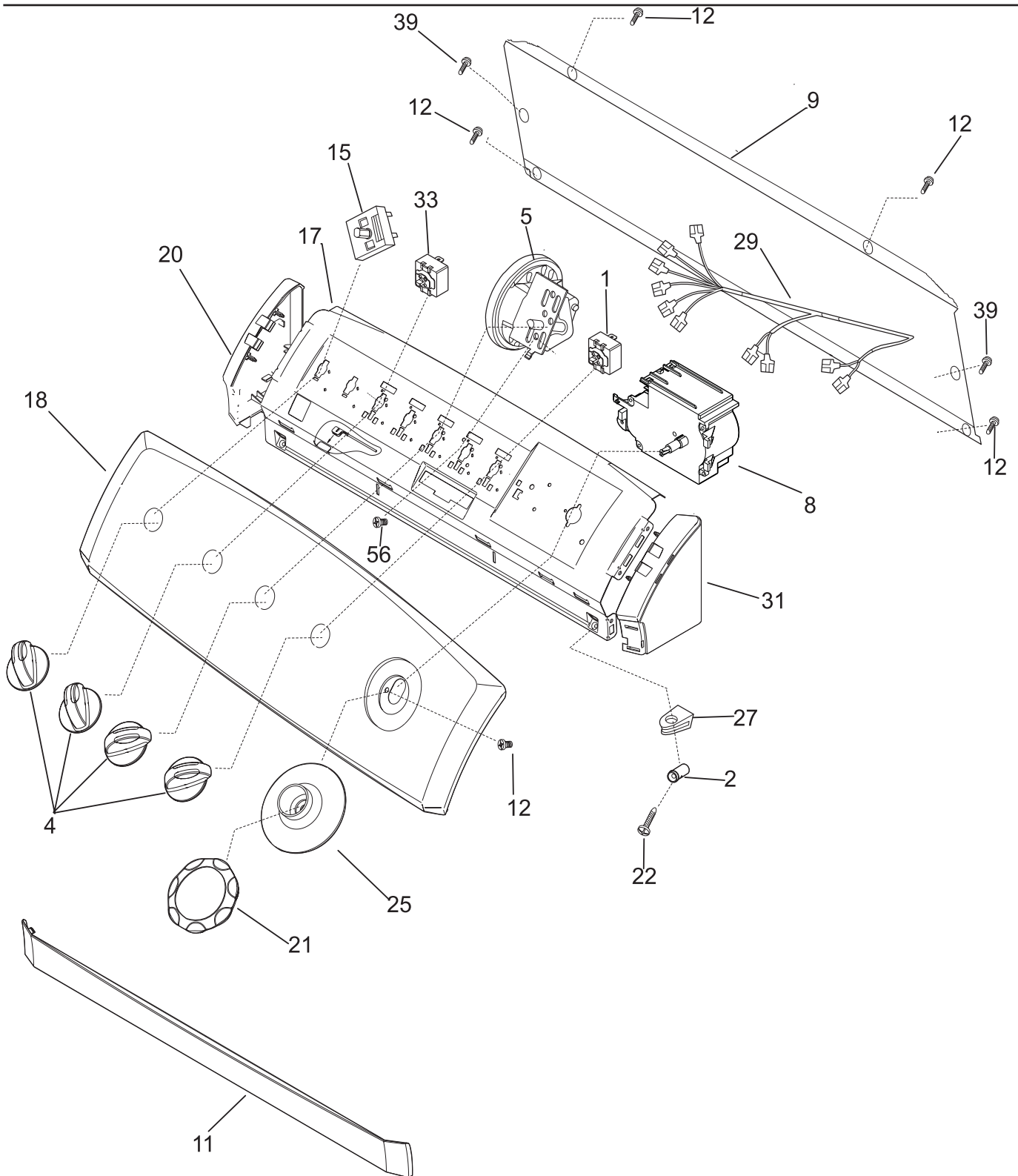
P12M0010

TRANSMISSION

---

POS. NO	PART NO	DESCRIPTION
2	131475100	Hub-drive
3 #	131878412	Transmission-complete
6	131346600	Screw
26	5303279394	Seal-tub
27	131784300	Washer-trans-brg block-Koyo
28	131784400	Spacer-trans brg block-Koyo

CONTROL PANEL



P12C0307

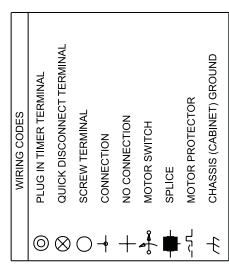
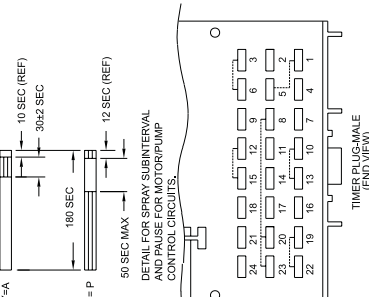
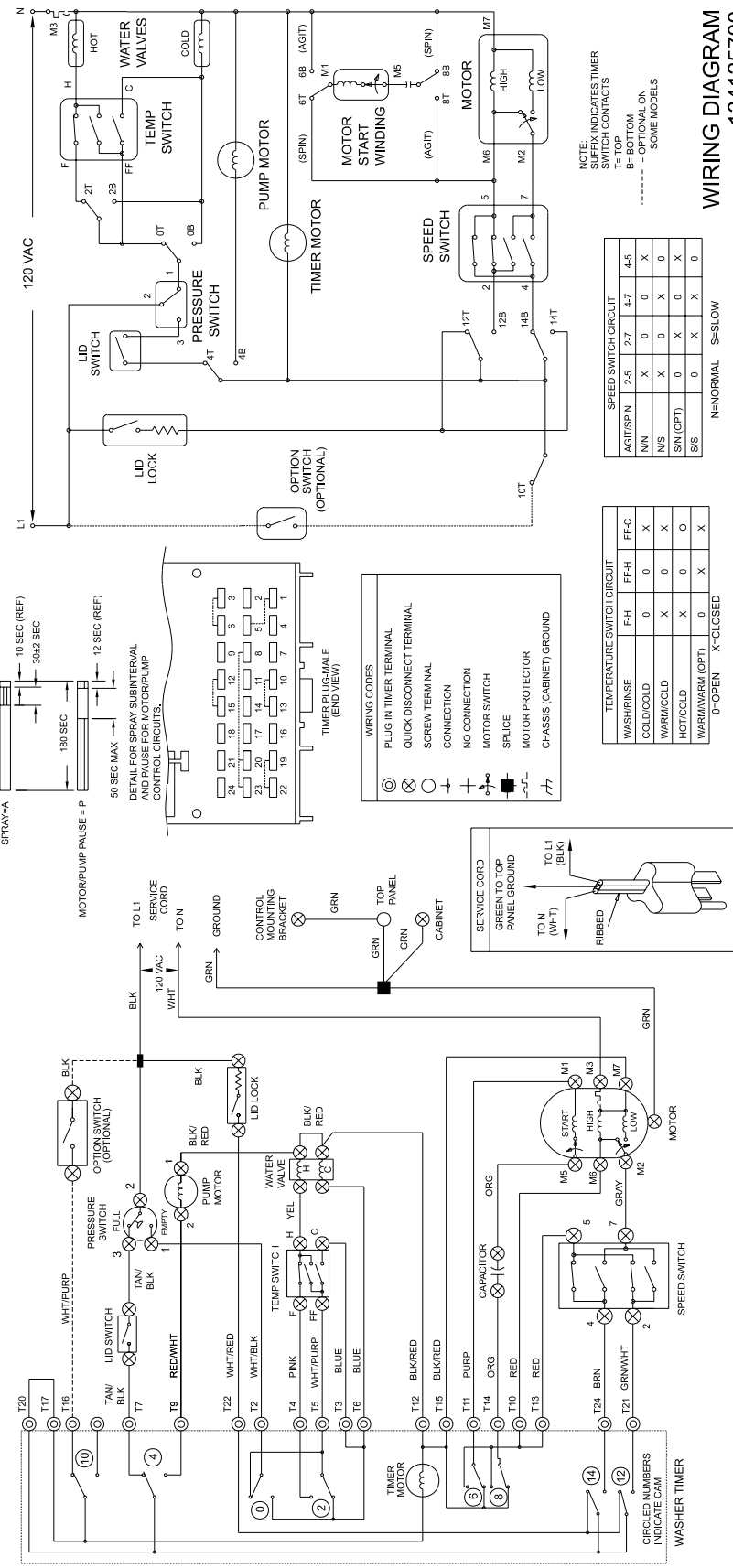
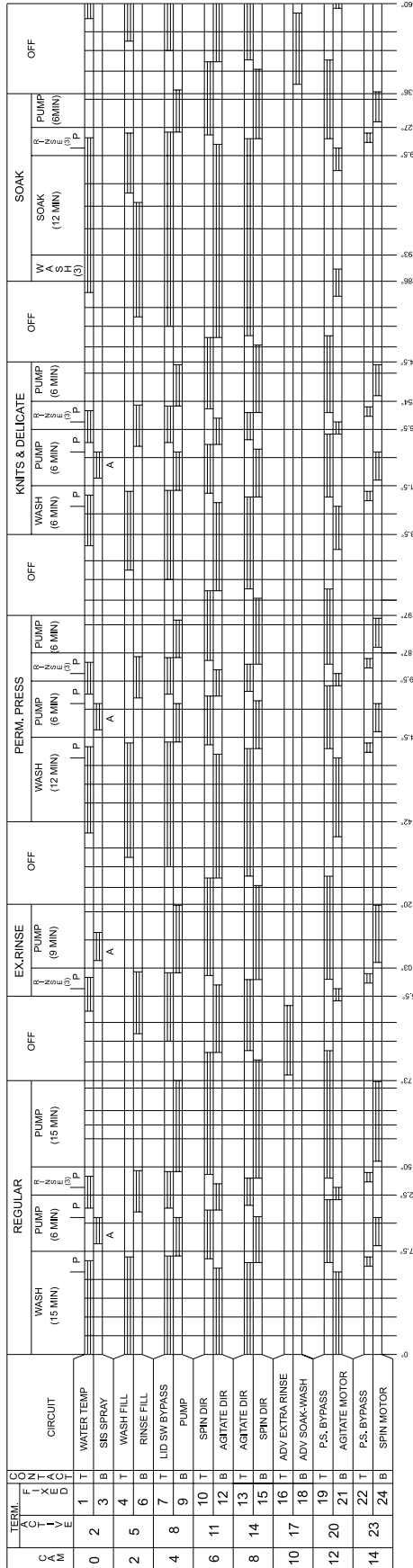


## CONTROL PANEL

POS. NO	PART NO	DESCRIPTION
1 #	131157900	Switch-speed
2	134096100	Spacer-console mounting
4	134034900	Knob-rotary-wht "Z" cons
5 #	131396200	Switch-pressure
8 #	131856400	Timer-elec Y
9	131992910	Backsheet "Z" cons-VAW
11	134019900	Closure-front-wht "Z" cons
12	131168200	Screw, 8-18 x 0.31
15 #	131081200	Switch-temperature
17	131993000	Brkt-cont mtg "Z" cons-Delta
18	134074200	Trimplate FDA1YRSZ
20	134019610	End cap-LH-wht "Z" cons
21	134035200	Asmy-knob-timer-Delta white
22	131266300	Screw-end cap, cr oval head, 8-18AB x 1.250, black
25	134035100	Pointer-timer Delta wht/dk gry
27	131197000	Clip-control panel
29 #	134123100	Harn-Y-rot sp/temp/x-rinse
31	134019600	End cap-RH-wht "Z" cons
33 #	131243200	Switch-extra rinse/speed
39	131205100	Screw, #8 pan head, 10-10B x 0.50, cr/sq drive
56	131243800	Screw-brkt top, pan hd locking, 8-32CA x 0.375, cr/sq drive

WIRING DIAGRAM

CAUTION: DISCONNECT ELECTRIC CURRENT BEFORE SERVICING



SPEED SWITCH CIRCUIT

AGIT/SPN	2-5	2-7	4-7	4-5
NN	X	0	0	X
NIS	X	0	X	0
SN (OPT)	0	X	0	X
S/S	0	X	X	0

N-NORMAL S-SLOW

TEMPERATURE SWITCH CIRCUIT

WASH/RINSE	F-H	FF-H	FF-C
COLD/COLD	0	0	X
WARM/COLD	X	0	X
HOT/COLD	X	0	0
WARM/WARM (OPT)	0	X	X

0-OPEN X-CLOSED

NOTE:  
SUFFIX INDICATES TIMER SWITCH CONTACTS  
T= TOP  
B= BOTTOM  
--- = COMMON ON SOME MODELS

WIRING DIAGRAM  
134125700

## Free Manuals Download Website

<http://myh66.com>

<http://usermanuals.us>

<http://www.somanuals.com>

<http://www.4manuals.cc>

<http://www.manual-lib.com>

<http://www.404manual.com>

<http://www.luxmanual.com>

<http://aubethermostatmanual.com>

Golf course search by state

<http://golfingnear.com>

Email search by domain

<http://emailbydomain.com>

Auto manuals search

<http://auto.somanuals.com>

TV manuals search

<http://tv.somanuals.com>