

FRIGIDAIRE

GALLERY



Double Wall Ovens

FGET3045K F/W/B

30" Electric



Powerful Performance

Effortless™ Convection Conversion²
Power and Quick Clean Options
Broil (3,400W)

Performance-Driven Style

Real Stainless Steel
Even Baking Technology²

One-Touch Options

Keep Warm
Chicken Nuggets²

More Easy-To-Use Features

Hidden Bake
Extra-Large Windows

Sabbath Mode (Star-K® Certified)

Capacities

4.2 Cu. Ft. Upper Oven Capacity
4.2 Cu. Ft. Lower Oven Capacity

Overall Exterior Dimensions

| | |
|--------|----------|
| Height | 50-7/16" |
| Width | 30" |
| Depth | 24-1/2" |

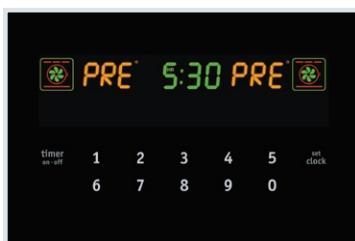
Available in:



¹Based on single rack cooking performance, not set temperature, using Quick Preheat.

²Feature applies to upper oven only.

Signature Features



Quick Preheat

Preheat in less than six minutes.¹
(Upper oven only)



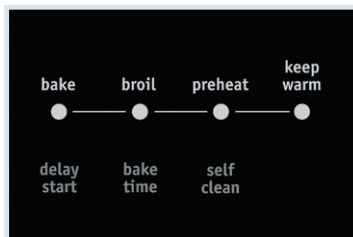
True Convection

Multi-rack baking is faster and more even with True Convection.
(Upper oven only)



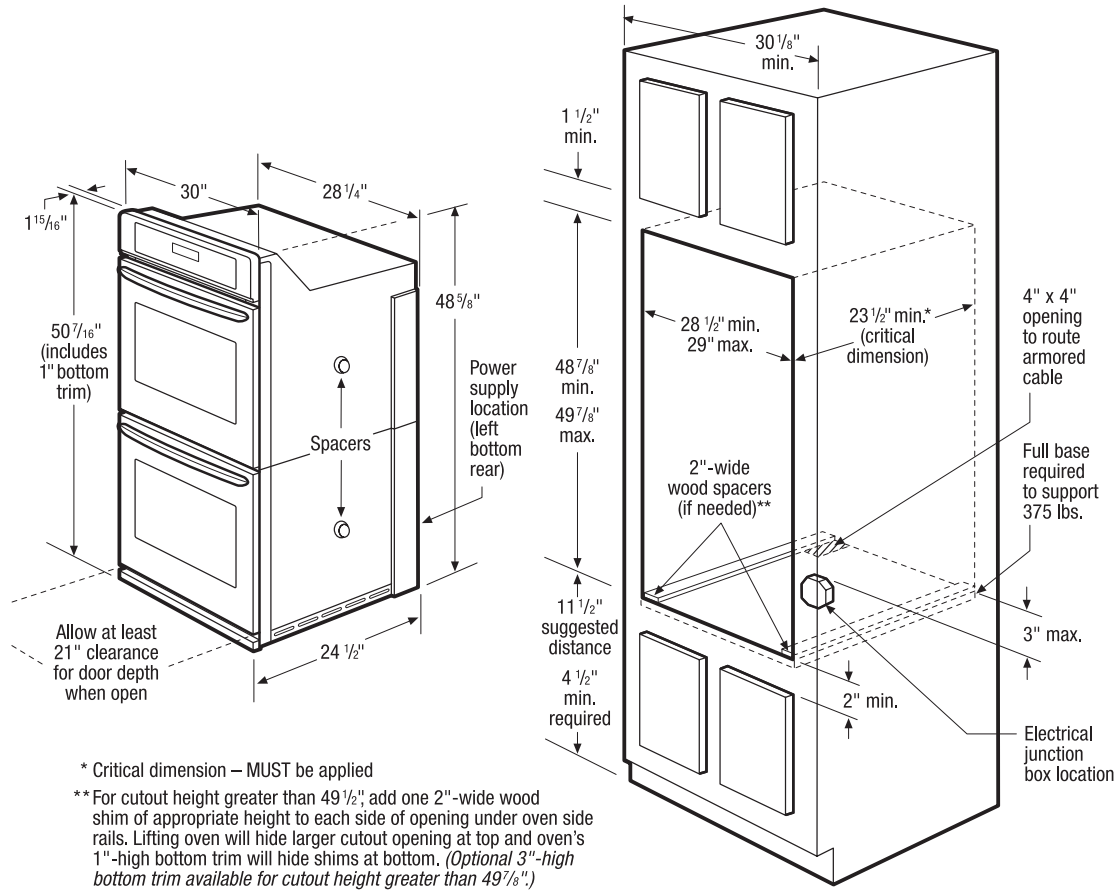
Express-Select™ Controls

Easily set cooking temperature or choose one-touch cooking options.



Keep Warm Setting

Keep food warm until everything — and everyone — is ready.



Double Wall Oven Specifications

- Product Shipping Weight (approx.) - 300 Lbs.
- Single phase 3- or 4-wire cable, 120/240 or 120/208 Volt, 60 Hertz AC only electrical supply with ground required on separate circuit fused on both sides of line.
- Connected Load (kW Rating) @ 240/208 Volts = 7.5/5.7kW
- Amps @ 240/208 Volts = 31.0/27.0 Amps
- Recommended Circuit Breaker - 40 Amps
- Always consult local and national electric codes.
- Minimum 21" clearance for oven door depth when open.
- Suggested distance from floor is 11-1/2". Minimum required distance is 4-1/2".
- Minimum 23-1/2" deep cutout dimension is critical for proper installation, to ensure that oven's faceplate will fit flush against cabinet front.
- To adapt oven to fit cutout height greater than 49-1/2", add one 2"-wide wood shim of appropriate height to each side of opening under oven side rails. Lifting oven will hide larger cutout opening at top and oven's 1"-high bottom trim will hide shims at bottom. (Standard 1"-High Bottom Trim included.)

- To adapt oven to fit cutout height greater than 49-7/8", optional 3"-High Bottom Trim available.
- Full oven base of solid plywood or similar material required, capable of supporting 375 Lbs.
- Base must be level and cabinet front must be square.
- Double Wall Ovens are NOT approved to be used in stackable or side-by-side installation.

Note: For planning purposes only. Refer to Product Installation Guide on the web at frigidaire.com for detailed instructions.

Optional Accessories

- 3"-High Stainless Steel Bottom Trim - (PN# 318258707).
- 3"-High White Bottom Trim - (PN# 318258703).
- 3"-High Black Bottom Trim - (PN# 318258704).



Free Manuals Download Website

<http://myh66.com>

<http://usermanuals.us>

<http://www.somanuals.com>

<http://www.4manuals.cc>

<http://www.manual-lib.com>

<http://www.404manual.com>

<http://www.luxmanual.com>

<http://aubethermostatmanual.com>

Golf course search by state

<http://golfingnear.com>

Email search by domain

<http://emailbydomain.com>

Auto manuals search

<http://auto.somanuals.com>

TV manuals search

<http://tv.somanuals.com>